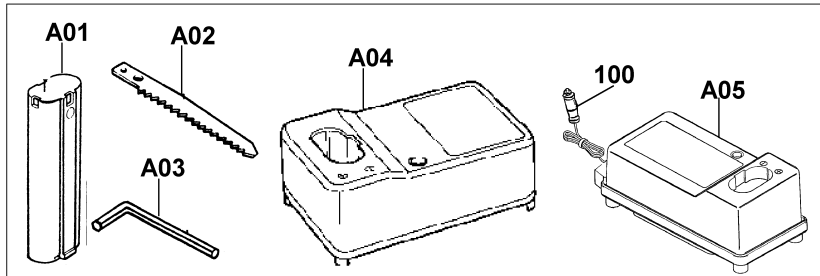
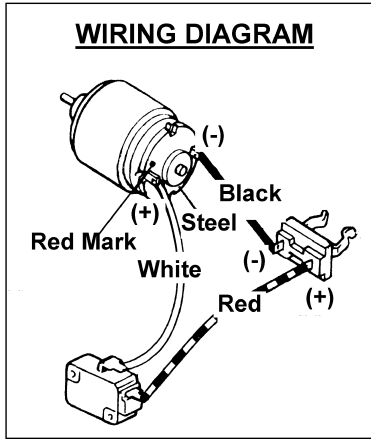
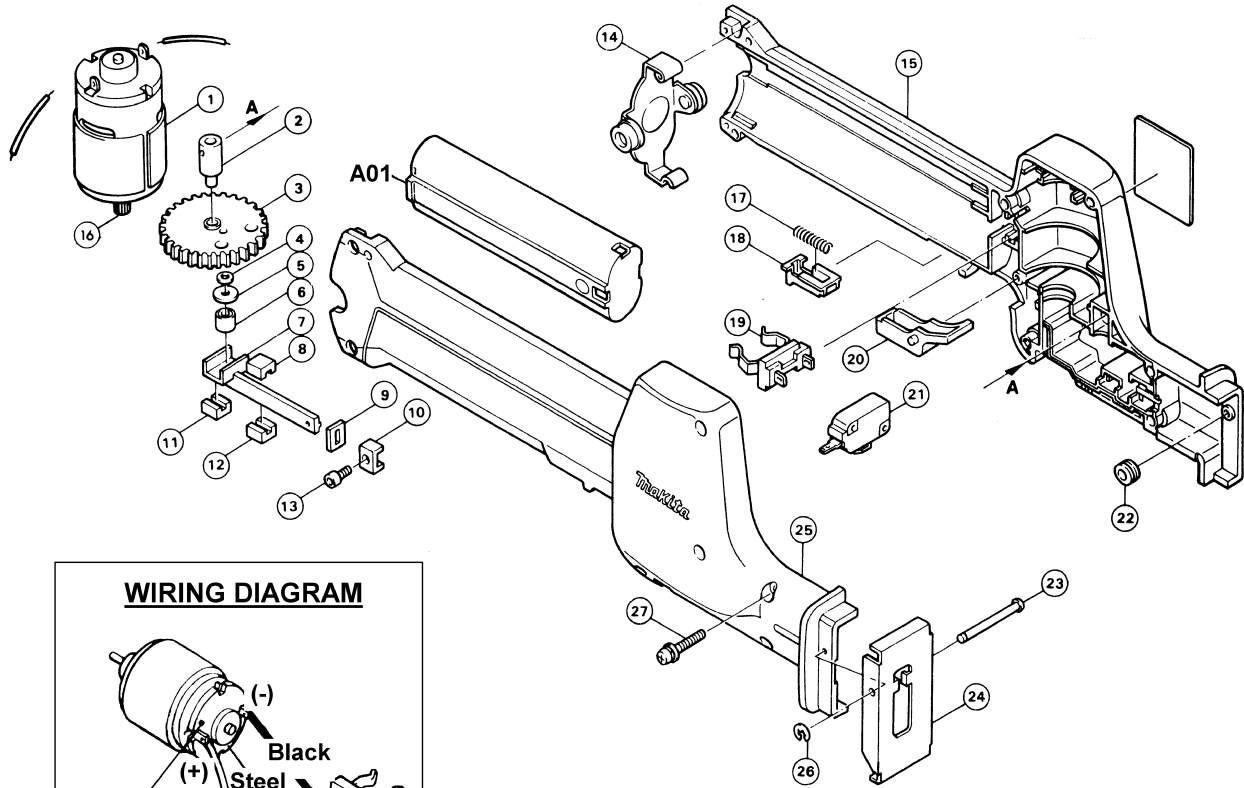




CORDLESS RECIPRO SAW

Model 4390D (MCP)
Model 4390DW(MCP)



Item No.	Part No.	No. Used	Description
1	*	1	Motor D.C. 9.6V (With Item 16)
2	152272-4	1	Supporter Com.
3	*	1	Gear Com.
4	253307-5	3	Thin Washer 4
5	253874-0	1	Flat Washer 4
6	212014-9	1	Needle Bearing 407
7	*	1	Slider Com.
8	214020-0	1	Plane Bearing 3
9	*	1	Felt
10	*	1	Blade Set
11	214020-0	1	Plane Bearing 3
12	214020-0	1	Plane Bearing 3
13	922107-1	1	Hex Socket Head Bolt M4x8
14	163157-9	1	Set Plate

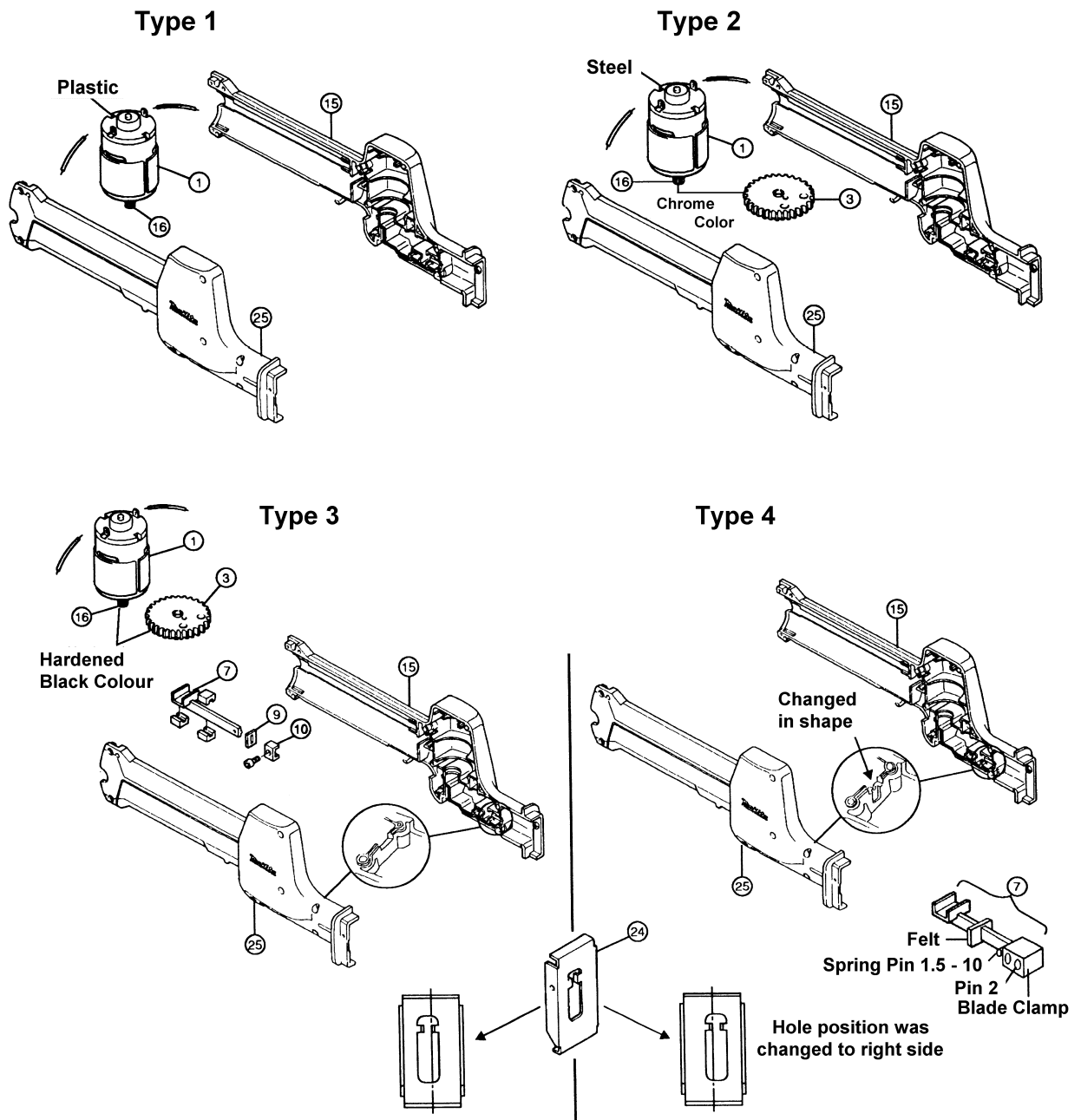
Item No.	Part No.	No. Used	Description
15	*	1	Housing (L)
16	*	1	Spur Gear 15
17	231390-2	1	Compression Spring 3
18	414169-8	1	Lock-Off Lever
19	643909-9	1	Battery Holder 20
20	410972-5	1	Trigger
21	651899-2	1	Switch (Old 651866-7)
22	322099-8	1	Roller
23	256654-3	1	Pin 4
24	*	1	Shoe
25	*	1	Housing (R)
26	961017-7	1	Stop Ring E-3
27	911143-2	8	P.H. Screw M4x22 (With Washer)
100	655000-B	1	Plug (For Car Lighter)

Item No.	Part No.	No. Used	Description	Item No.	Part No.	No. Used	Description
Accessories				A03	783201-2	1	Hex Wrench 3
A01	632007-4	1	9.6V Ni-Cad Battery 9000(1.3Ah)	A04	DC9710	1	Fast Charger For 7.2V & 9.6V Ni-Cad 1.3Ah Batteries
A02	792542-5	1	Recipro Saw Blade 71 (For Mild Metal) (5 pcs/pkg)	A05	113076-9	1	12V Charger DC9012 For 9.6V 1.3Ah Batteries (With Item 100)
	792541-7	1	Recipro Saw Blade 78(For Wood) (5 pcs/pkg)		DC1422	1	12V Charger For 7.2V ~ 14.04V Ni-Cad & Ni-Mh 1.3Ah ~ 3.0Ah Batteries (With Item 100)

* SEE SERVICE CHANGE

SERVICE CHANGES

1. Change on Motor, Housing, Gear, Slider, Shoe Etc.,



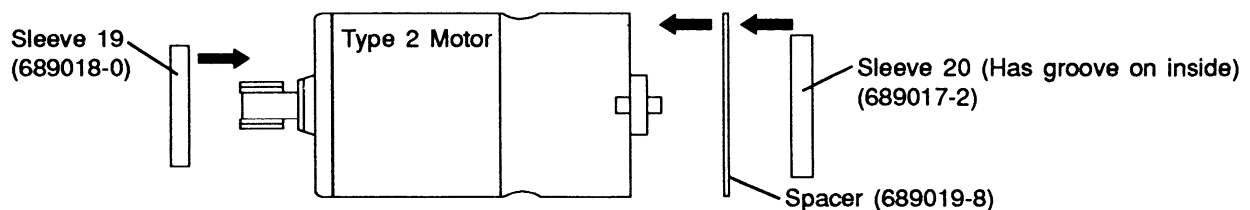
Item No.	Description	Type 1	Type 2	Type 3	Type 4
1	Motor D.C. 9V (With Item 16)	629544-7 (No Longer Available)	629578-0 (No Longer Available)	629581-1	
15	Housing Set	410995-3 (No Longer Available)	414344-6 (No Longer Available)		182406-5 (Set) (Old 414975-1)
25	Housing Set	410996-1 (No Longer Available)	414345-4 (No Longer Available)		182406-5 (Set) (Old 414976-9)
3	Gear Com.	153157-7 (No Longer Available)		153202-8	
16	Spur Gear	221920-7 (No Longer Available)		221882-9	
24	Shoe	343456-7			343875-7
7	Slider / Slider Com.	164774-8			154401-5 (Includes Slider - 164964-3,⊗ Felt - 443063-7, Spring Pin 1.5-10 - 258017-9⊗, Blade Clamp - 313057-5, Pin 2 - 256672-1⊗)
9	Felt	443063-7			(Now part of Slider Com.)
10	Blade Set	344979-8 (334032-8)			(Now called Blade Clamp and part of Slider Com.)
	Serial # for 4390D	~ 508035E	508036E ~ 578516E	578517E ~ 599230E	599231E ~
	Serial # for 4390DW	~ 18926E	18927E ~ 41412E	41713E ~ 41915E	41916E ~

Type 1 to Type 4 parts are completely interchangeable as a set.
Type 3 Motor and Gear Com. can replace Type 2 Motor and Gear Com.
Type 4 Housing can replace Type 2 and Type 3 Housing.

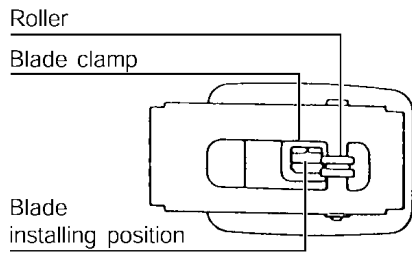
⊗ Non-inventory Item

Service Notes

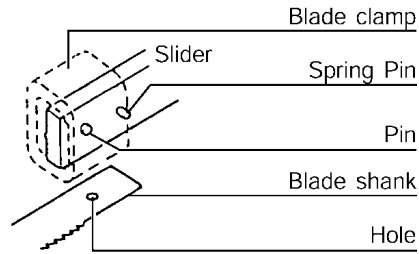
1. Type 2 Motor will fit into Type 1 Housing if the following parts are added.



2. New method of installing Blades (For Type 4 Slider Com.)



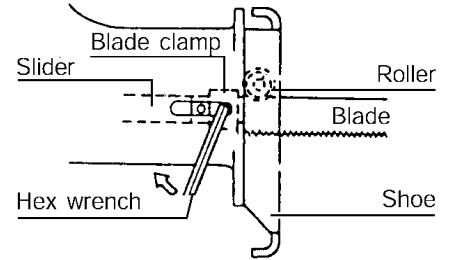
Loosen the blade securing bolt fully with the hex wrench. Keep the back edge of the blade fitting into the roller and insert the blade between the blade clamp and the slider as far as it will go. Make sure that you are inserting the blade into the proper position.



Fit the pin on the slider in the hole in the blade shank.

Note:

The hole in the blade shank will be aligned with the pin on the slider when the blade shank hits against the spring pin on the slider.



Tighten the bolt securely while making sure that the blade will not be extracted even though you try to pull it out.

CAUTION:

If you tighten the bolt without the pin on the slider fitting properly in the hole in the blade shank, the pin or the blade shank will be damaged. This may cause the blade to be extracted unexpectedly during operation.