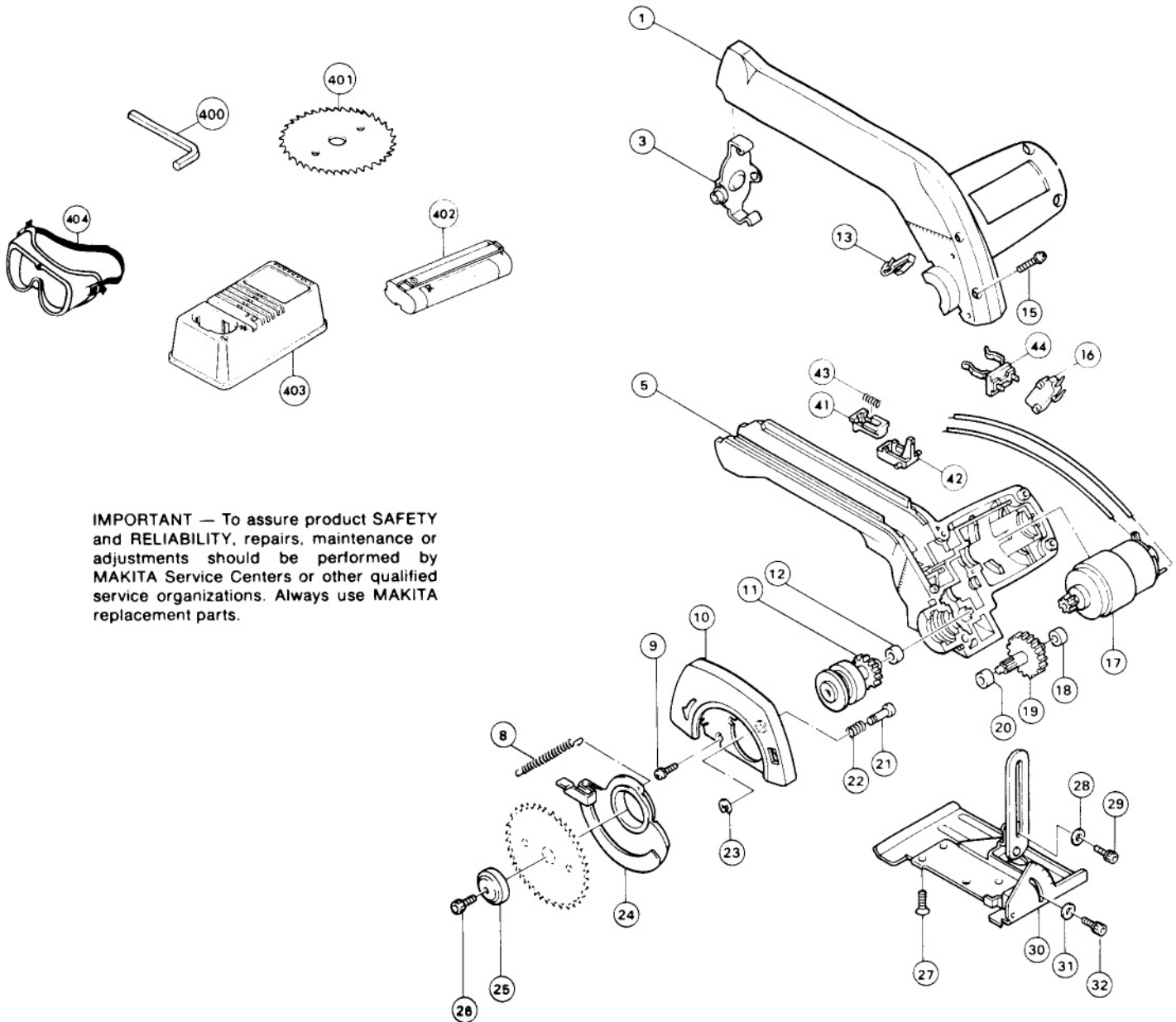




3 3/8" CORDLESS SAW

Model 5090D
Model 5090DW



IMPORTANT — To assure product **SAFETY** and **RELIABILITY**, repairs, maintenance or adjustments should be performed by **MAKITA** Service Centers or other qualified service organizations. Always use **MAKITA** replacement parts.

Fig.	Part No.	Qty. Used	Description	Fig.	Part No.	Qty. Used	Description
1	182025-7	1	HOUSING SET (INCL. FIG. 3,5)	26	922212-4	1	H.S.H. BOLT M5×12
3	163157-9	1	SET PLATE	27	912222-9	3	C.H.SCREW M5×16
5	182025-7	1	HOUSING SET (INCL. FIG. 1,3)	28	253184-5	1	FLAT WASHER 5
8	231749-3	1	TENSION SPRING 5	29	922206-9	1	H.S.H. BOLT M5×10
9	911121-2	3	PAN HEAD SCREW M4×14	30	163281-8	1	BASE
10	164872-8	1	BLADE CASE	31	253184-5	1	FLAT WASHER 5
11	153132-3	1	GEAR COMPLETE	32	922206-9	1	H.S.H. BOLT M5×10
12	214017-9	1	PLANE BEARING 5	41	414169-8	1	LOCK OFF LEVER
13	232061-4	1	LEAF SPRING	42	414168-0	1	SWITCH LEVER
15	911148-2	5	PAN HEAD SCREW M4×25	43	231390-2	1	COMPRESSION SPRING 3
16	651862-5	1	SWITCH	44	643909-9	1	BATTERY HOLDER
17	629574-8	1	DC MOTOR 9.6V	ACCESSORIES			
18	214019-5	1	PLANE BEARING 4	400	783202-0	1	HEX WRENCH 4
19	226053-3A	1	GEAR COMPLETE	401	721003-8	1	COMBINATION SAW BLADE
20	214019-5	1	PLANE BEARING 4	402	632007-4	1	BATTERY (9.6V)
21	256625-0	1	PIN 5	403	113087-4	1	1 HOUR CHARGER
22	231098-8	1	COMPRESSION SPRING 6	404	191686-2	1	SAFETY GOGGLES
23	961011-9	1	STOP RING E-4				
24	164548-7	1	SAFETY COVER				
25	224177-9	1	OUTER FLANGE 28				