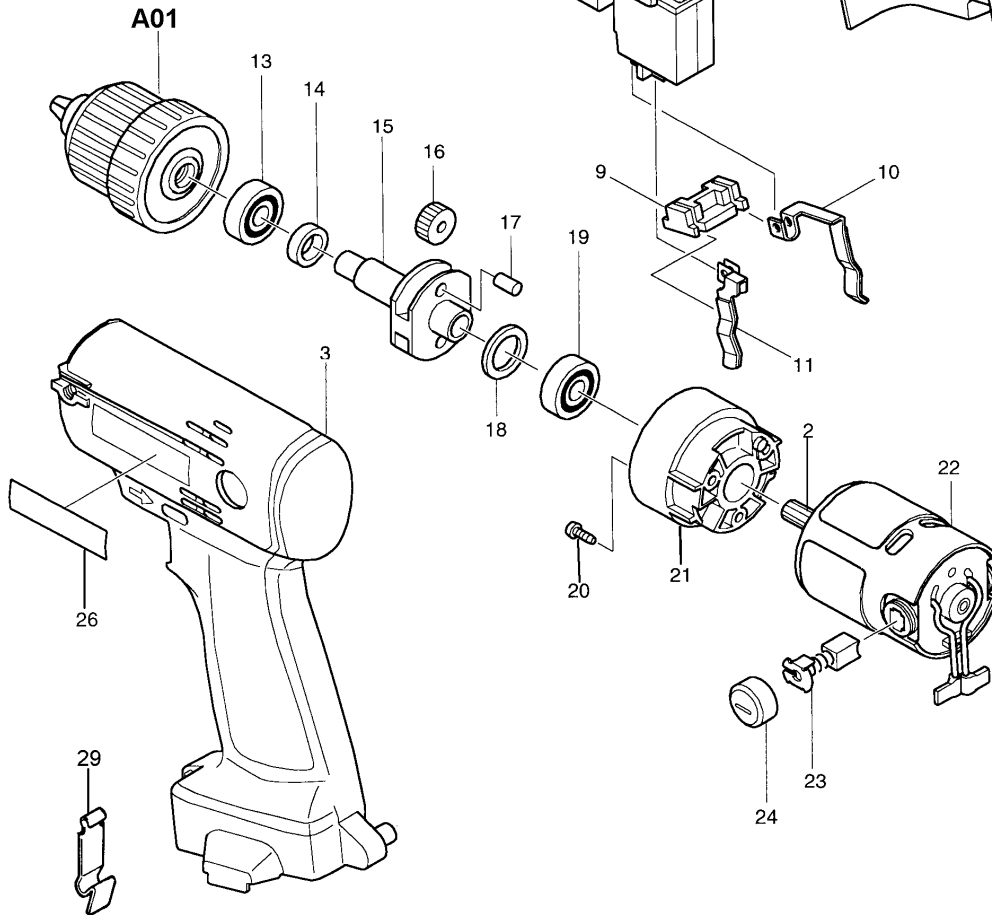
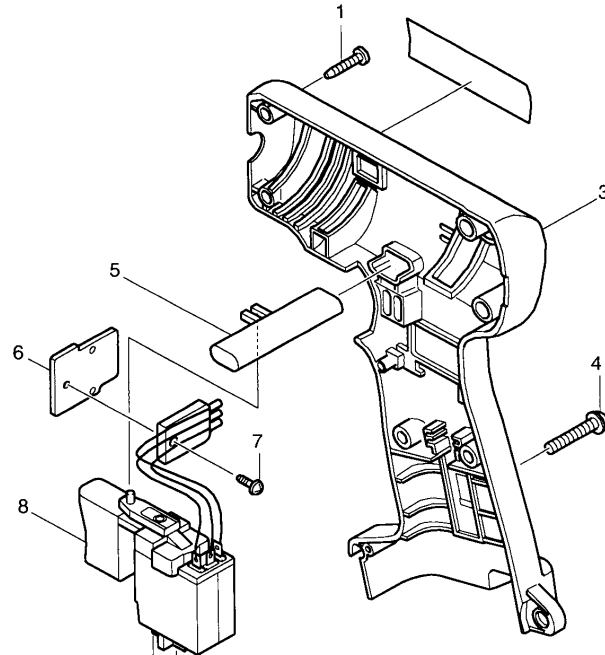
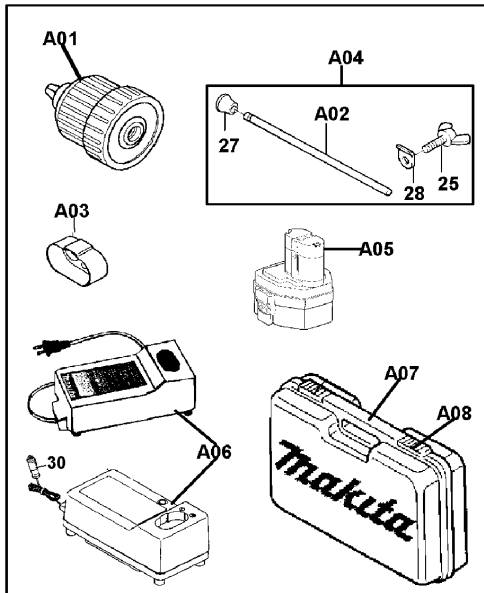


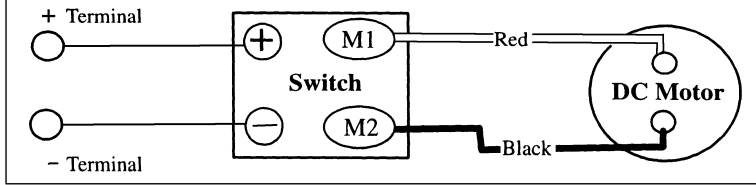


9.6V - 1/4" HIGH SPEED DRILL
9.6V - 1/4" HIGH SPEED DRILL
(With 2 Batteries)

Model 6503DZ
Model 6503DWDE



WIRING DIAGRAM



Item No.	Part No.	No. Used	Description	Item No.	Part No.	No. Used	Description
1	265995-6	7	Tapping Screw 4X18	25	265741-7	1	Thumb Screw M4X10
2	226337-9	1	Spur Gear 7	26	819063-3	1	Makita Label
3	183246-4	1	Housing Set	27	286224-4	1	Cap 12
4	911143-2	1	P.H. Screw M4X22	28	343525-4	1	Stopper Pole Retainer
5	417283-9	1	F/R Change Lever	29	343579-1	1	Set Plate
6	689098-6	1	Heat Sink	30	655000-B	1	Plug for Cigarette Lighter
7	911006-2	1	P. H. Screw M3X8	Accessories			
8	651993-0	1	Switch	A01	193212-3	1	Keyless Drill Chuck
9	687085-9	1	Holder	A02	322177-4	1	Depth Rod
10	654168-0	1	Spring Terminal (+)	A03	414938-7	1	Battery Cover
11	654169-8	1	Spring Terminal (-)	A04	193151-7	1	Depth Gauge Set
12	654069-2	2	Receptacle	A05	193156-7	1	9.6V Ni-MH Battery 9134 (2.6Ah)
13	211101-1	1	Ball Bearing 6001LLB	A06	DC1411	1	Charger for 7.2V ~ 14.4V & 1.3Ah ~ 3.0Ah Ni-Cad & Ni-MH Batteries
14	262090-3	1	Ring 12		DC1422		Automotive Charger for 7.2V ~ 14.4V & 1.3Ah ~ 3.0Ah Ni-Cad & Ni-MH Batteries (Includes Item 30)
15	324048-1	1	Spindle	A07	824489-6	1	Plastic Carrying Case (Includes Item A08)
16	226336-1	2	Spur Gear 22	A08	186347-7	2	Slide Latch Set
17	256253-1	2	Pin 5				
18	253744-3	1	Flat Washer 12				
19	211101-1	1	Ball Bearing 6001LLB				
20	911013-5	3	P.H. Screw M3X10				
21	417284-7	1	Internal Gear Case				
22	629757-0	1	DC Motor (Includes Items 2, 23 & 24)				
23	191966-6	2	Carbon Brush CB-424 (2pcs/Set)				
24	643933-2	2	Holder Cap				