



Brush Cutter

Débroussailleuse

RBC280

RBC320

Grass Trimmer

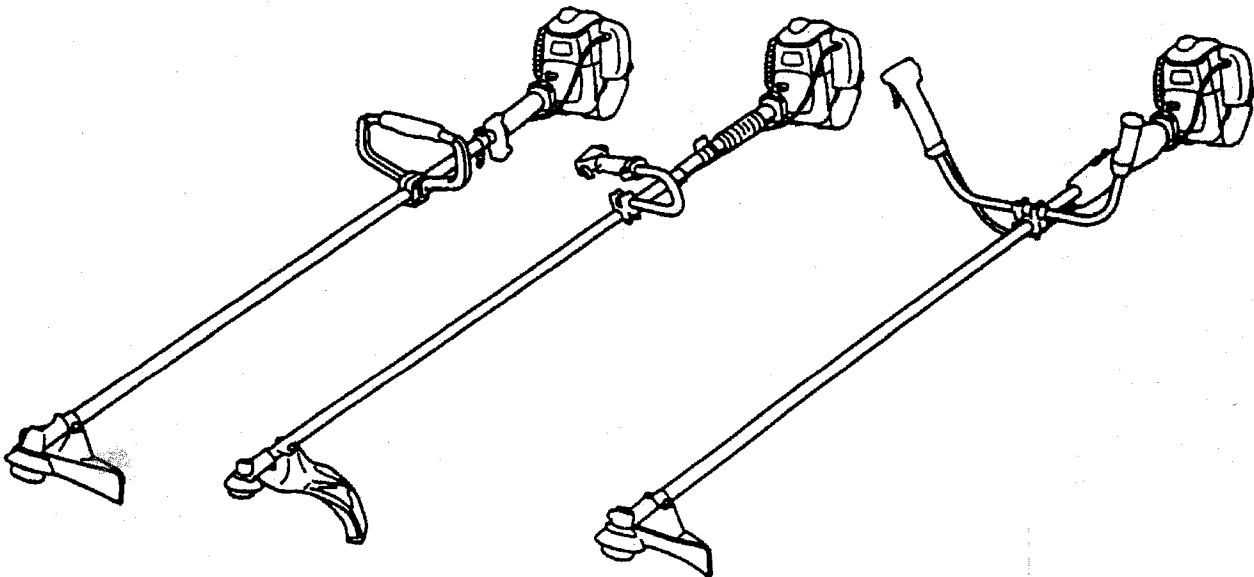
Taille-bordures

RBC281

RBC321

INSTRUCTION MANUAL

MANUEL D'INSTRUCTIONS



Warning

Read this instruction manual carefully before putting the Brush Cutter or the Grass Trimmer into operation and strictly observe the safety regulations!
Preserve this instruction manual carefully!

Avertissement

Lire attentivement ce manuel d'instructions avant d'utiliser la débroussailleuse ou du taille-bordures et observe rigoureusement les règles de sécurité!
Conserver ce manuel dans un endroit sûr!

Thank you very much for selecting the MAKITA Brush Cutter or Grass Trimmer. We are pleased to be able to offer you the MAKITA Brush Cutter or Grass Trimmer which is the result of a long development programme and many years of knowledge and experience.

Please read, understand and follow this booklet which refers in detail to the various points that will demonstrate its outstanding performance. This will assist you to safely obtain the best possible results from your MAKITA Brush Cutter or Grass Trimmer.

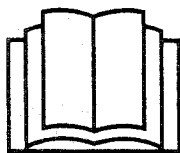


Table of Contents	Page
Symbols	2
Safety instructions	3 – 6
Technical data	7 – 8
Designation of parts	9
Assembly of engine	10
Mounting of handle	11
Assembly of throttle wire and ignition wire	12
Mounting of guard	13
Mounting of cutter blade	14
Fuels/Refuelling	15
Proper handling of machine	16
Brush cutter operation	16 – 17
Idle adjustment	18
Resharpener the cutter blade	18 – 19
Servicing instructions	20 – 21
Maintenance schedule	22
Storage	22
Troubleshooting procedures	22

Symbols

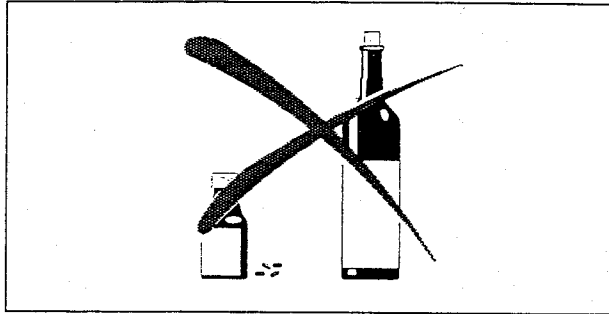
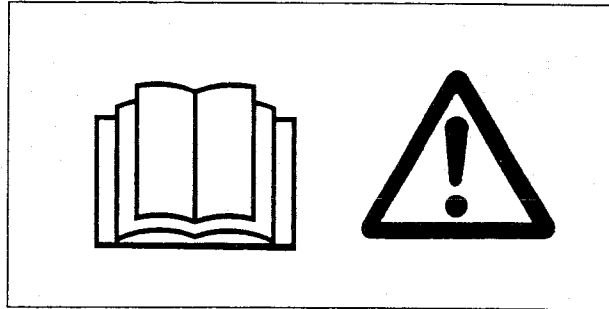
It is very important to understand the following symbols when reading this instructions manual.

	WARNING/DANGER		Wear Eye and Ear Protection (for Grass Trimmer)
	Read, Understand and Follow Instruction Manual		Wear Protective Helmet, Eye and Ear Protection (for Brush Cutter)
	Forbidden		Do Not Use Metal Blades (for Grass Trimmer)
	Keep Away Distance		Maximum Safe Tool Speed
	Flying Object Hazard		Fuel and Oil Mixture
	No Smoking		Engine-manual Start
	No Open Flame		Emergency Stop
	Protective Gloves must be Worn		First Aid
	Kickback		Recycling
	Keep the Area of Operation Clear of All Persons and Pets		CE-mark

SAFETY INSTRUCTIONS

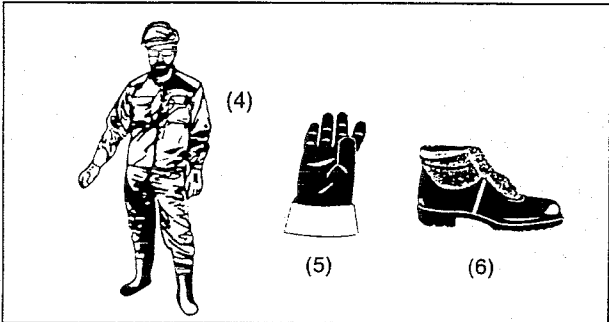
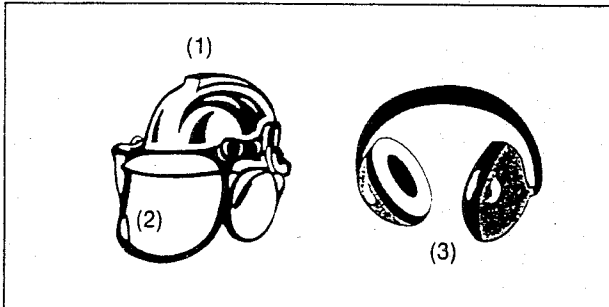
General instructions

- To ensure correct and safe operation, the user must read, understand and follow this instruction manual to assure familiarity with the handling of the brush cutter or the grass trimmer. Users insufficiently informed will risk danger to themselves as well as others due to improper handling.
- It is recommended only to loan the brush cutter or the grass trimmer to people who have proven to be experienced with them. Always hand over the instruction manual.
- First-time users should ask the dealer for basic instructions to familiarize oneself with the handling of an engine powered cutter.
- Children and young persons aged under 18 years must not be allowed to operate the brush cutter or the grass trimmer. Persons over the age of 16 years may however use the tool for the purpose of being trained only while under the direct supervision of a qualified trainer.
- Use brush cutters or grass trimmers with the utmost care and attention.
- Operate the brush cutter or the grass trimmer only if you are in good physical condition. Perform all work conscientiously and carefully. The user has to accept responsibility for others.
- Never use the brush cutter or the grass trimmer while under the influence of alcohol or drugs.
- Do not use the unit when you are tired.
- **Save these instructions for future referral.**



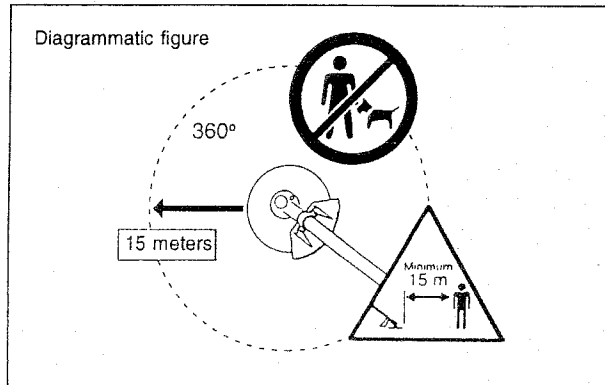
Personal protective equipment

- The clothing worn should be functional and appropriate, i. e. it should be tight-fitting but not cause a hinderance. Do not wear jewelry, clothing or long hair which could become entangled with bushes or shrubs.
- In order to avoid head-, eye-, hand- or foot injuries as well as to protect your hearing the following protective equipment and protective clothing must be used during operation of the brush cutter or the grass trimmer.
- Always wear a helmet when working in the forest. The **protective helmet (1)** is to be checked at regular intervals for damage and is to be replaced at least every 5 years. Use only approved protective helmets.
- The **visor (2)** of the helmet (or approved goggles) protects the face from flying sticks, stones or other objects. During operation of the brush cutter or the grass trimmer always wear goggles, or a visor to prevent eye injuries.
- Wear adequate **noise protection equipment** to avoid hearing impairment (ear muffs (3), ear plugs etc.), especially during extended work periods.
- The **work overalls (4)** protect against flying stones and splinters. We strongly recommend that the user wear work overalls.
- **Special gloves (5)** made of thick leather are part of the prescribed equipment and must always be worn during operation of the brush cutter or the grass trimmer.
- When using the brush cutter or the grass trimmer, always wear **sturdy shoes (6)** with a non-slip sole. This protects against injuries and ensures good footing.



Starting up the brush cutter or the grass trimmer

- Please make sure that there are no children or other people within a working range of 15 meters, also pay attention to any animals in the working vicinity.
- **Before operating, always check that the brush cutter or the grass trimmer is safe for operation:**
Check the security of the cutter blade. Be sure the blade mounting nut is firmly secured. The throttle lever should be checked for smooth and easy action. Check for proper functioning of the throttle lever lock. The cutter blade must not rotate during idling. Consult idle adjustment instructions on page 18. Check for clean and dry handles and test the function of the start/stop switch. Keep handles free of oil and fuel.



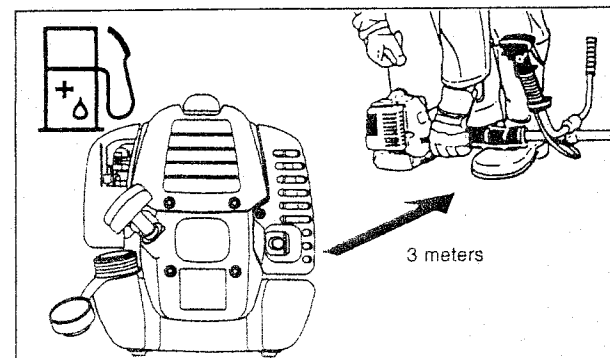
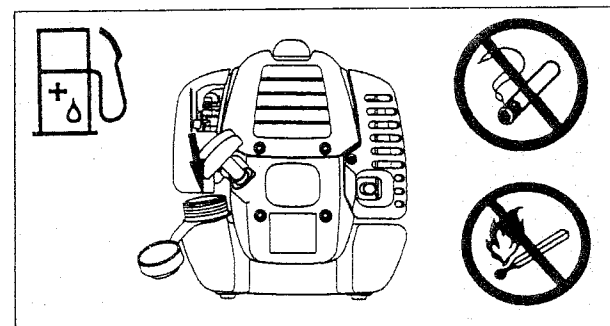
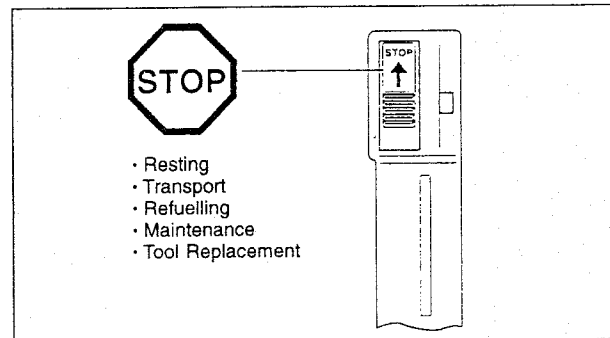
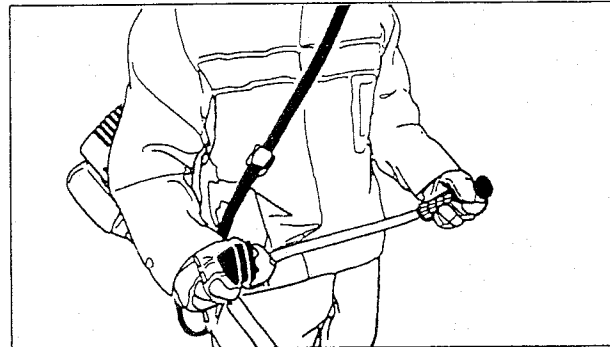
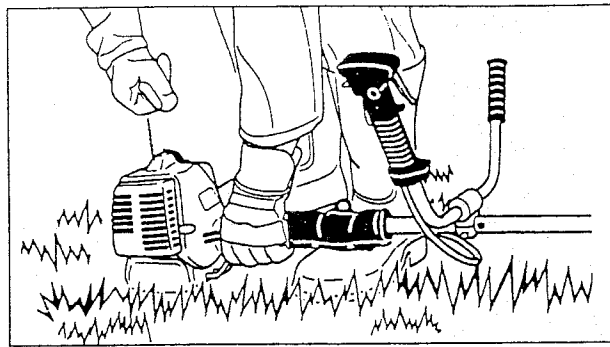
Start the brush cutter or the grass trimmer only in accordance with the instructions.

Do not use any other methods for starting the engine!

- Use the brush cutter or the grass trimmer and the tools supplied only for applications specified.
- **Start the brush cutter or the grass trimmer engine only after the entire tool has been assembled. Operation of the tool is permitted only after all the appropriate accessories are attached!**
- Before starting, make sure that the cutter blade will not contact any objects such as branches, stones, etc.
- The engine is to be switched off immediately if there are any engine problems.
- Should the cutter blade hit stones or any other objects, immediately switch off the engine and inspect the cutter blade.
- Inspect the cutter blade at frequent regular intervals for damage (detect hairline cracks by means of a tapping-noise test).
- A familiar ringing sound should be heard.
- Operate the brush cutter or the grass trimmer only with the shoulder strap attached. It should be properly adjusted before putting the brush cutter or the grass trimmer into operation. It is essential to adjust the shoulder strap to the user's size to prevent fatigue occurring during use or loss of control of the tool. Never hold the tool with one hand during use.
- During operation always hold the brush cutter or the grass trimmer with both hands. **Always ensure a safe, well-balanced footing.**
- Operate the brush cutter or the grass trimmer in such a manner as to avoid inhalation of the exhaust gases. Never run the engine in enclosed rooms (risk of suffocation and gas poisoning). Carbon monoxide is an odorless gas. Always ensure there is adequate ventilation.
- Switch off the engine when resting and when leaving the brush cutter or the grass trimmer unattended. Place it in a safe location to prevent danger to others, setting fire to combustible materials, or damage to the machine.
- Never lay the hot brush cutter or the grass trimmer onto dry grass or onto any combustible materials.
- The cutter blade must be used with its appropriate guard. Never run the tool without this guard!
- All protective parts and guards supplied with the machine must be used during operation.
- Never operate the engine with a faulty exhaust muffler.
- Shut off the engine during transport.
- During transport over long distances the tool protection included with the equipment must always be used.
- Position the brush cutter or the grass trimmer safely during car or truck transportation to avoid fuel leakage.
- When transporting the brush cutter or the grass trimmer, ensure that the fuel tank is completely empty.

Refuelling

- Shut off the engine during refuelling, keep well away from open flame and do not smoke.
- Avoid skin contact with petroleum products. Do not inhale fuel vapor. Always wear protective gloves during refuelling. Change and clean protective clothing at regular intervals.
- Take care not to spill either fuel or oil in order to prevent soil contamination (environmental protection). Clean the brush cutter or the grass trimmer immediately after fuel has been spilled. Allow wet cloths to dry before disposing in proper, covered container to prevent spontaneous combustion.
- Avoid any fuel contact with your clothing. Change your clothing immediately if fuel has been spilled on it (danger hazard).
- Inspect the fuel cap at regular intervals making sure that it stays securely fastened.
- Carefully tighten the locking screw of the fuel tank. Change locations to start the engine (at least 3 meters away from the place of refuelling).
- Never refuel in closed rooms. Fuel vapors accumulate at ground level (risk of explosions).
- Only transport and store fuel in approved containers. Make sure stored fuel is not accessible to children.
- Do not attempt to refuel a hot or a running engine.
- When mixing gasoline with two-cycle engine oil, use only gasoline which contains no ethanol or methanol (types of alcohol). This will help to prevent damage to fuel lines and other engine parts.



Method of operation

- Use the brush cutter or the grass trimmer only in good light and visibility. During cold seasons beware of slippery or wet areas, ice and snow (risk of slipping). Always ensure a safe footing.
- Do not overreach. Keep proper footing, balance and hand control of the unit at all times.
- Never cut above waist level
- Never stand on a ladder while running the brush cutter or the grass trimmer.
- Never climb up into trees to perform any cutting operation with the brush cutter or the grass trimmer.
- Never work on unstable surfaces or steep terrain.
- Remove sand, all objects such as stones, nails, broken glass wire etc. found within the working area. Foreign articles may damage the cutting foot, can cause dangerous kickbacks, or could be thrown about dangerously.
- Before commencing cutting, the cutting tool must have reached full working speed.
- Never operate this tool while it is turned upside-down or when it is at an extreme angle.
- **!WARNING!** — The cutter area is still dangerous while the machine is coasting to a stop.

Kickback

- When operating the brush cutter, uncontrolled kickback can occur.
- This particularly is the case when attempting to cut within a blade segment between 12 and 2 o'clock as viewed from the operator's position.
- Never touch this segment of the brush cutter to solid objects, such as bushes, stumps, trees, etc., with a diameter greater than 3 cm.
- The brush cutter will then be deflected at great force and speed with the potential risk of serious injuries.
- **Never operate the brush cutter using the blade segment between the 12 and 2 o'clock position.**

Kickback prevention

To avoid kickbacks, observe the following:

- Operation within the blade segment between 12 and 2 o'clock can cause serious potential hazards, especially when using metal cutting blades.
Use of this brush cutter utilizing blade segment positions from 11 to 12 o'clock and 2 to 5 o'clock can still cause a likely potential for some kickback.
- Cutting operations attempted within the blade segments between 11 and 12 o'clock, and between 2 and 5 o'clock, should only be performed by trained and experienced operators, and only at their own risk. Smooth and easy cutting with almost no kickback is possible using the blade segment between 8 and 11 o'clock.

Cutting Tools

Use only the correct cutting tool for the specific job in hand.

Nylon cutting head:

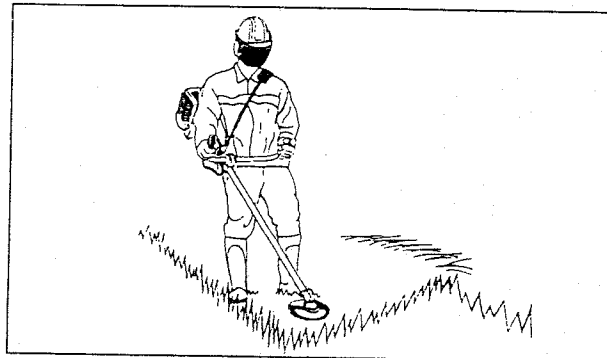
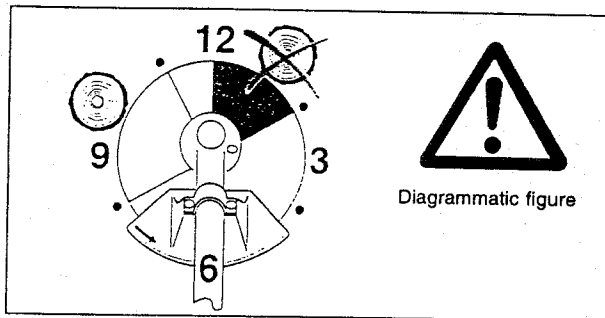
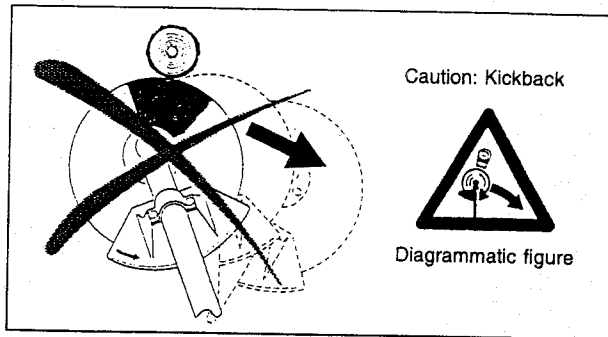
Exclusively designed for cutting along walls, fences, grass edges, trees, posts, etc. (supplementing a lawn mower). Perform this cutting work by swinging the grass trimmer evenly in semi-circles from right to left.

Star blade

For cutting thick materials, such as weeds, tall grass, bushes, shrubs, underbrush, thickets, etc. (max. 2 cm dia. thickness). Perform this cutting work by swinging the brush cutter evenly in semi-circles from right to left (similar to using a scythe).

Maintenance instructions

- The condition of the cutter, in particular of the cutter blade, guard and of the shoulder strap must be checked before commencing work. Particular attention is to be paid to the cutting blades which must be correctly sharpened.
- Turn off the engine and remove spark plug connectors when replacing or sharpening cutting blade, and also when cleaning the cutter or cutting tool.



Never straighten or weld damaged cutting blades.

- Be kind to the environment. Operate the brush cutter or the grass trimmer with as little noise and pollution as possible. In particular check the correct adjustment of the carburetor.
- Clean the brush cutter or the grass trimmer at regular intervals and check that all screws and nuts are securely tightened.
- Never service or store the brush cutter or the grass trimmer in the vicinity of open flames, sparks, etc.
- Always store the brush cutter or the grass trimmer in a well-ventilated locked room and with an emptied fuel tank.

Observe and follow all relevant accident prevention instructions issued by the trade associations and by insurance companies. Do not perform any modifications to the brush cutter or the grass trimmer as this will risk your safety.

The performance of maintenance or repair work by the user is limited to those activities as described in this instruction manual. All other work is to be done by Authorized Service Agents. Use only genuine spare parts and accessories supplied by MAKITA. Use of non-approved accessories and tools means increased risk of accidents and injuries. MAKITA will not accept any liability for accidents or damage caused by the use of any non-approved cutting tools, attachments or accessories.

First Aid

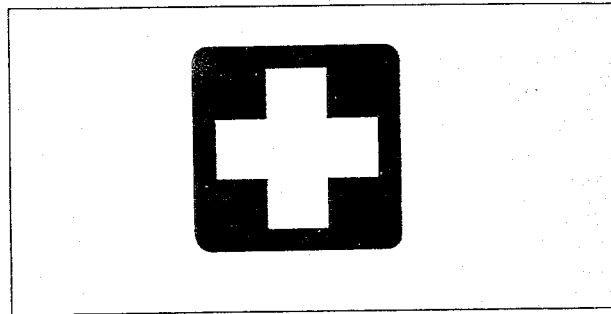
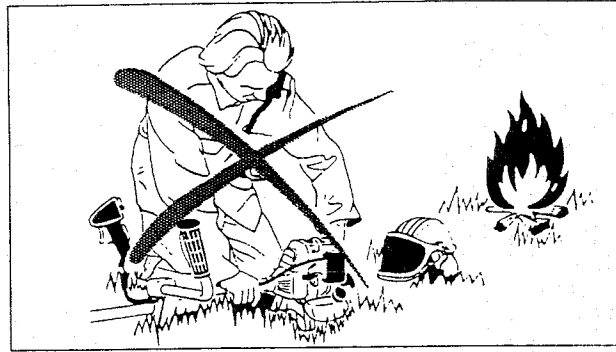
In case of accident make sure that a well-stocked first-aid kit is available in the vicinity of the cutting operations. Immediately replace any item taken from the first aid box.

When asking for help, please give the following information:

- Place of accident
- What happened
- Number of injured persons
- Extent of injuries
- Your name

Packaging

The MAKITA brush cutter or the grass trimmer is delivered in two protective cardboard boxes to prevent shipping damage. Cardboard is a basic raw material and is therefore consequently reusable or suitable for recycling (waste paper recycling).



EU Conformity Declaration

The undersigned, Yasuhiko Kanzaki, as authorized by Makita France S.A. Head office, 2, Allée des Performances, Zone Industrielle des Richardets, (B.P.119) 93162 Noisy Le Grand Cedex, France declare that the Makita machines,

Type: RBC280, RBC281
RBC320, RBC321

manufactured by Robin conforms to the basic safety and health requirements of the applicable EU guidelines,

EU Machine guideline 89/392/EEC
EU EMC guideline 89/336/EEC

The most important standards applied to properly meet the requirement of the above EU guidelines were : prEN 31806, EN 50081-1, DIN VDE 0879 T1.

Noisy Le Grand Cedex, 14 November 1996

Yasuhiko Kanzaki

Managing Director

This declaration only applies to machine which are in compliance with CEN standard.

Technical data RBC 280, RBC 281

Model		RBC 280		RBC 281	
		U handle		Loop handle	J handle
Dimensions: length x width x height (without plastic guard) mm		1785 × 590 × 340		1785 × 335 × 345	1785 × 335 × 345
Mass (without plastic guard and cutting blade) kg		5.9		5.9	5.8
Volume (fuel tank) cm ³				0.8	
Engine displacement cm ³				27.2	
Maximum engine performance kW at 1/min				0.84kW at 7,000 1/min	
Engine speed at recommended max. spindle speed 1/min				8,800	
Maximum spindle speed (corresponding) 1/min				6,000	
Fuel consumption kg/h				0.38	
Specific fuel consumption g/kWh				456	
Idling speed 1/min				2,600	
Clutch engagement speed 1/min				3,800	
Carburettor (Diaphragm-carburettor) type				WALBRO WYJ	
Ignition system type				Solid state ignition	
Spark plug type				NGK BMR7A	
Electrode gap mm				0.6 — 0.7	
Vibration per ISO 7916 ¹⁾	Right handle (Rear Grip)	Idling m/s ²	3.18	—	2.94
		Racing or W.O.T m/s ²	3.25	—	6.57
	Left handle (Front Grip)	Idling m/s ²	3.83	—	4.05
		Racing or W.O.T m/s ²	4.01	—	6.69
Sound pressure level average to ISO 7917 ¹⁾ db (A)		90.6		—	95.0
Sound power level average to ISO 10884 ¹⁾ db (A)		101		—	105
Mixture ratio (Fuel: MAKITA 2-stroke oil)				50 : 1	
Gear ratio				13/19	

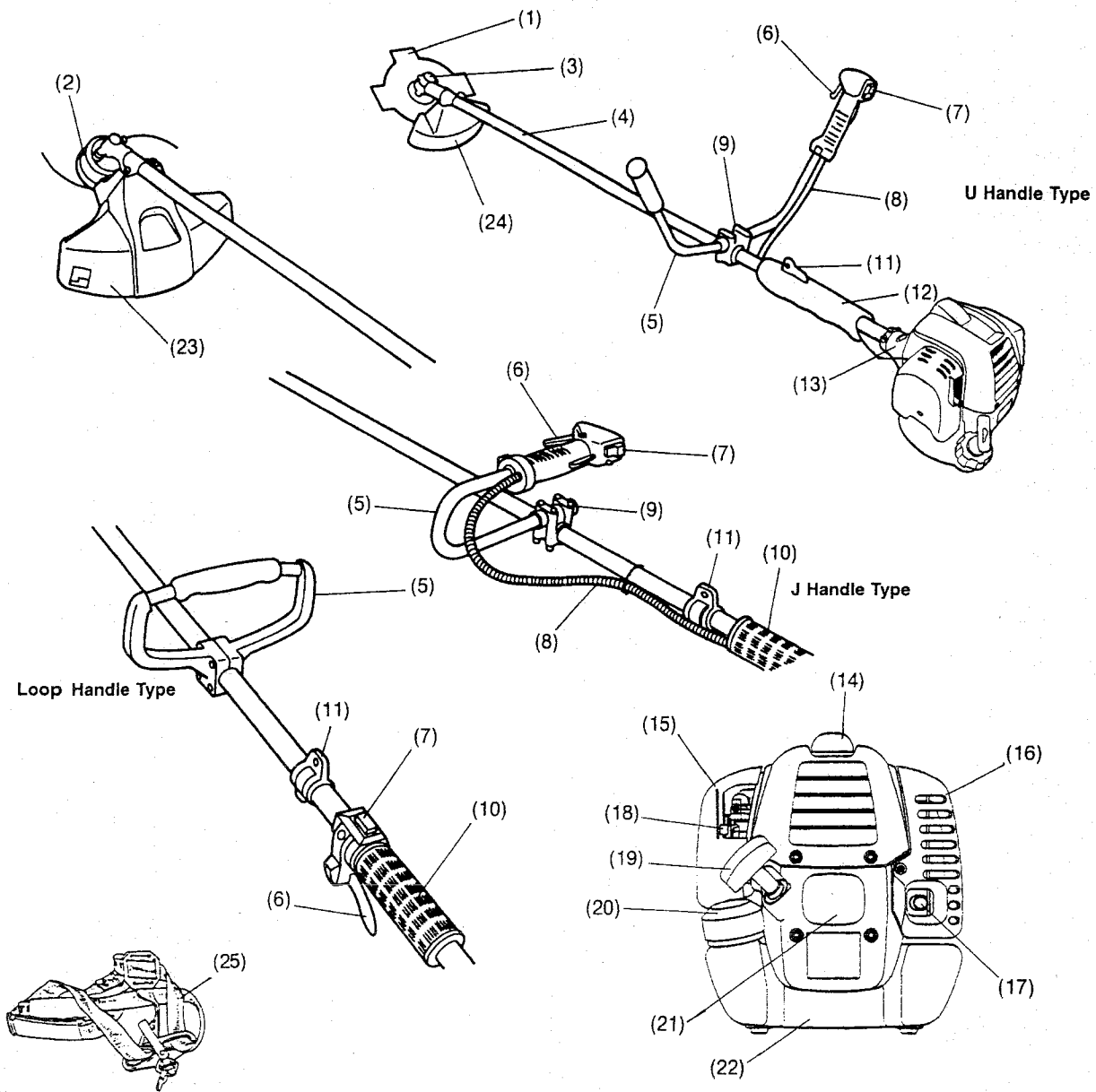
- 1) This data takes equally into account idling and full speed or wide open throttle operating modes.
 2) Some machines with U handle are not in compliance with CEN standard.
 Machines with Loop handle are not in compliance with CEN standard.
 Machines with J handle are in compliance with CEN standard.
 (CE label is put on machines which are in compliance with CEN standard.)

Technical data RBC320, RBC321

Model		RBC320		RBC321	
		U handle		Loop handle	J handle
Dimensions: length x width x height (without plastic guard) mm		1785 × 590 × 340		1785 × 335 × 345	1785 × 335 × 345
Mass (without plastic guard and cutting blade) kg		5.9		5.9	5.8
Volume (fuel tank) cm ³				0.8	
Engine displacement cm ³				30.5	
Maximum engine performance kW at 1/min				0.95kW at 7,000 1/min	
Engine speed at recommended max. spindle speed 1/min				8,800	
Maximum spindle speed (corresponding) 1/min				6,000	
Fuel consumption kg/h				0.44	
Specific fuel consumption g/kWh				467	
Idling speed 1/min				2,600	
Clutch engagement speed 1/min				3,800	
Carburettor (Diaphragm-carburettor) type				WALBRO WYJ	
Ignition system type				Solid state ignition	
Spark plug type				NGK BMR7A	
Electrode gap mm				0.6 — 0.7	
Vibration per ISO 7916 ¹⁾	Right handle (Rear Grip)	Idling m/s ²	3.84	—	3.95
		Racing or W.O.T m/s ²	3.23	—	6.97
	Left handle (Front Grip)	Idling m/s ²	3.36	—	4.92
		Racing or W.O.T m/s ²	4.99	—	4.42
Sound pressure level average to ISO 7917 ¹⁾ db (A)		90.8		—	94.5
Sound power level average to ISO 10884 ¹⁾ db (A)		101		—	105
Mixture ratio (Fuel: MAKITA 2-stroke oil)				50 : 1	
Gear ratio				13/19	

- 1) This data takes equally into account idling and full speed or wide open throttle operating modes.
 2) Some machines with U handle are not in compliance with CEN standard.
 Machines with Loop handle are not in compliance with CEN standard.
 Machines with J handle are in compliance with CEN standard.
 (CE label is put on machines which are in compliance with CEN standard.)

Designation of parts



DESIGNATION OF PARTS		DESIGNATION OF PARTS		DESIGNATION OF PARTS	
1	Metal Blade	8	Throttle Wire	15	Air Cleaner
2	Nylon Cutting Head	9	Handle Joint	16	Muffler
3	Gear Case	10	Rear Grip	17	Muffler Exhaust Port
4	Drive Shaft	11	Hanger	18	Choke Lever
5	Handle	12	Waist Pad	19	Starter Knob
6	Throttle Lever	13	Holder Case	20	Fuel Filler Cap
7	STOP Switch	14	Spark Plug	21	Recoil Starter
				22	Fuel Tank
				23	Guard (for Nylon Cutting Head)
				24	Guard (for Metal Blade)
				25	Shoulder Strap

Assembly of engine



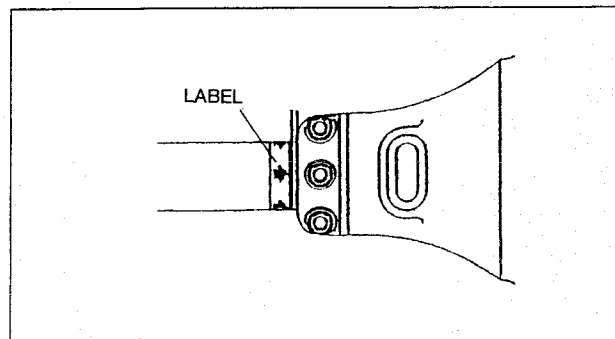
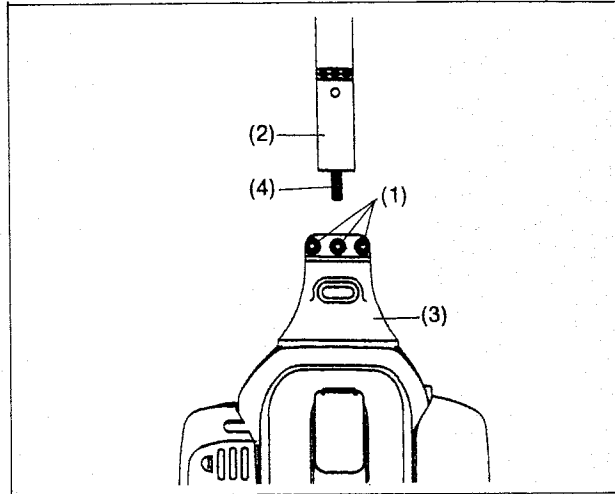
CAUTION: Before performing any work on the brush cutter or the grass trimmer, always switch off the motor and pull the spark plug connectors off the spark plug. Beware of hot engine parts and sharp blade edges. Always wear protective gloves!

CAUTION: Start the brush cutter or the grass trimmer only after having assembled it completely.

1. Loosen the screws (1) and insert the drive shaft into the holder case.

(Note) Always insert the drive shaft (2) into the holder case (3) fully. If the inner shaft (4) resists full insertion of the drive shaft, try to insert it again after slightly rotating the drive shaft or the support washer on the gear case to match the inner shaft to the hole inside the holder case.

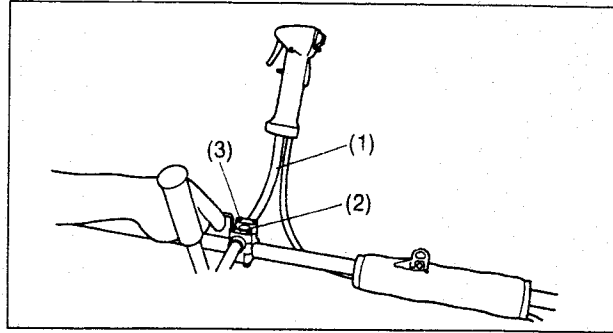
2. After making sure that the drive shaft is installed fully and properly, tighten the screws (1) to secure the drive shaft.



Mounting of handle

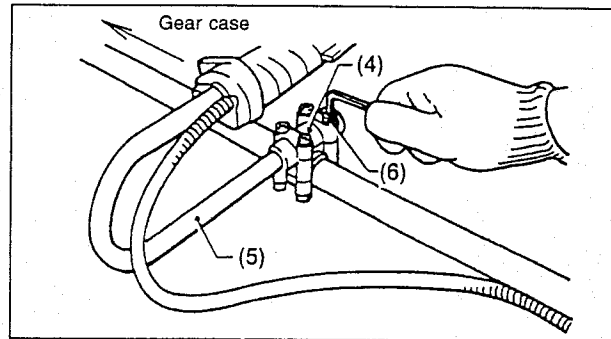
For machines with U handle

- Adjust the handle (1) to the proper position and secure the handle joint (2) by tightening the four socket head bolts M5 (3) evenly.
- Pass the throttle wire through the handle joint .

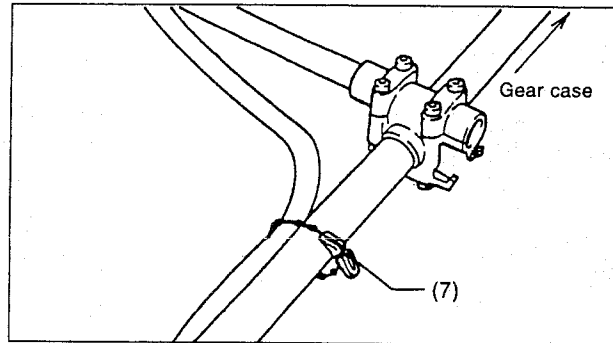


For machines with J handle

- Match the protrusions on the handle joint (6) to the holes in the underside of the handle (5). Tighten the four socket head bolts M5 (4) evenly to secure the handle.

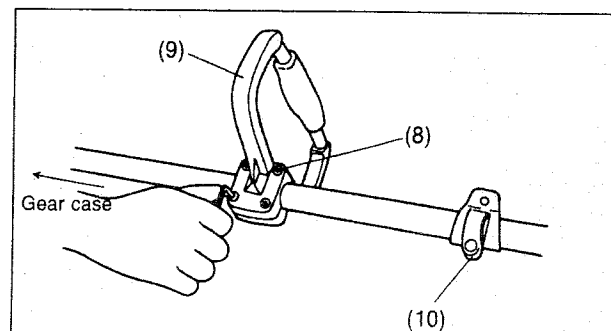


- Secure the throttle wire with the clip wire (7) as shown in the figure for easy operation.



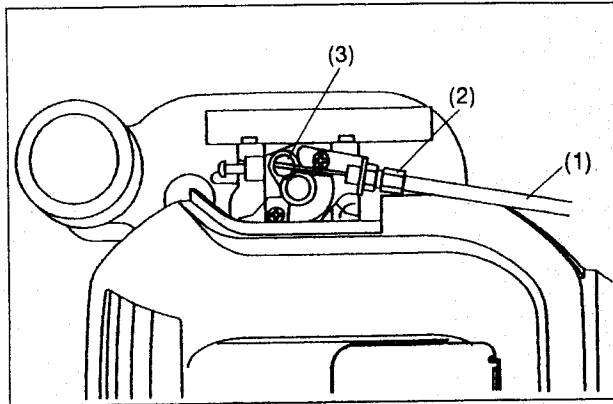
For machines with loop handle

- Secure the loop handle (9) by tightening the four socket head bolts (8).
- The standard position of the handle is 200 to 250 mm from the hanger (10). Position the handle according to a worker's stature and working conditions.

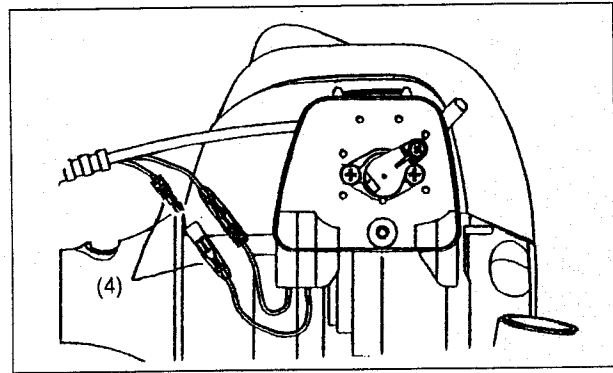


Assembly of throttle wire and ignition wire

- Remove the air cleaner cover from the carburetor.
- Insert throttle wire (1) through adjusting screw (2) and fit the nipple of the throttle wire into swivel (3) of the carburetor.
- Adjust the adjusting screw to take up free play of the throttle wire ensuring the throttle is fully opened when the throttle lever is in high speed position and 2 – 3 mm (0.079" – 0.118") free play when in low speed position.

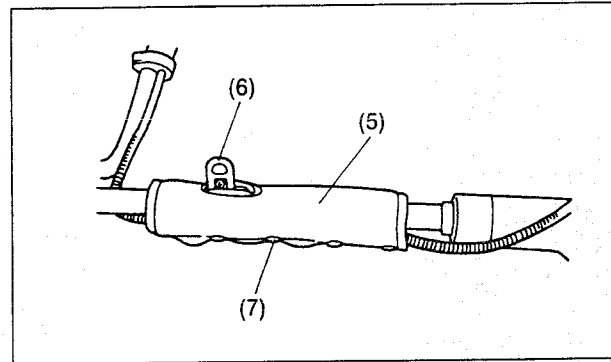


- Connect the female and male bullet connectors (4) from the throttle assembly to the male and female bullet connectors coming from engine.
- Retouch the air cleaner cover.



For machines with U handle or J handle

- Place the waist pad (5) over the throttle wire (guide the hanger (6) through the slot in the waist pad).
- Position the throttle wire in the waist pad and snap the waist pad together (snaps, (7)).



Mounting of guard

To meet the applicable safety provisions, only the tool/guard combinations as indicated in the table must be used. Failure to do so may result in serious injury or death to user or bystanders.

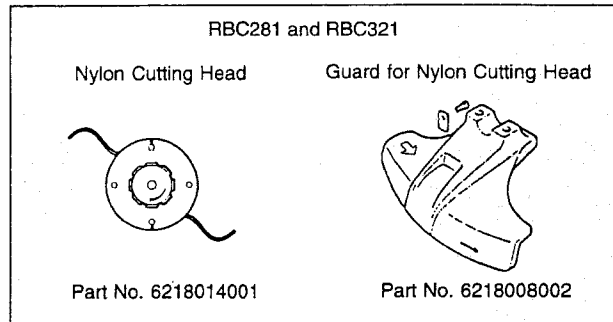
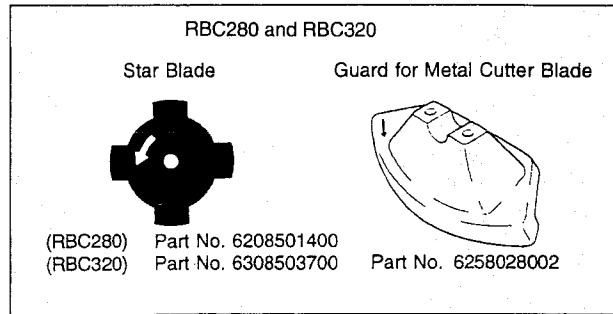
- Be sure to use genuine MAKITA cutter blade or nylon cutter head.
- The cutter blade must be well clean, sharp and free of cracks or breakage.
If the cutter blade contacts any hard objects or stones during operation, stop the engine and check the blade immediately.
 - Clean and sharpen or replace the cutter blade at least every three hours of operation.

For RBC280

- The outside diameter of the cutter blade must not exceed 230 mm (9-1/16"). Never use any blades surpassing 230 mm (9-1/16") in outside diameter.

For RBC320

- The outside diameter of the cutter blade must not exceed 255 mm (10-1/32"). Never use any blades surpassing 255 mm (10-1/32") in outside diameter.

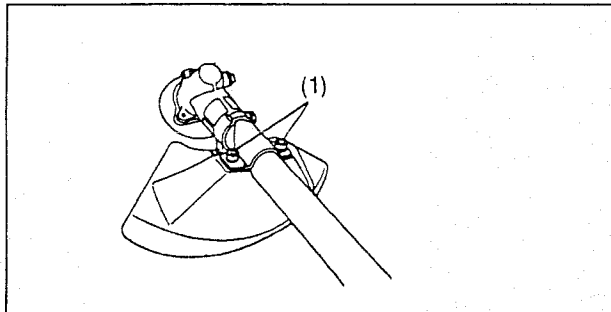


CAUTION: The appropriate guard must always be installed, for your own safety and in order to comply with accident-prevention regulations. Operation of the equipment without the guard being properly in place must never be attempted.



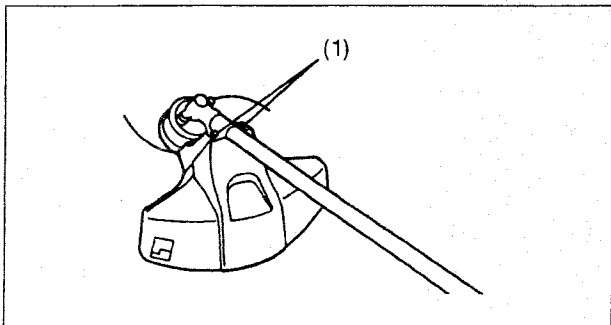
For RBC280 and RBC320

- Install the clamp on the drive shaft so that the projection of the clamp is inserted into the opening between the gear case and the drive shaft.
Secure the guard with the installation bolts M6 x 30 (1).



For RBC281 and RBC 321

- Install the clamp on the drive shaft so that the projection of the clamp is inserted into the opening between the gear case and the drive shaft.
Secure the guard with the installation bolts M6 x 30 (1).

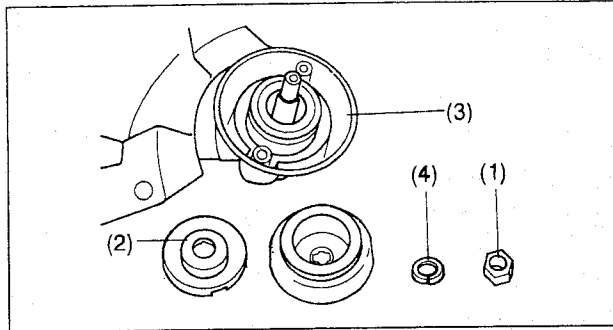


Mounting of cutter blade

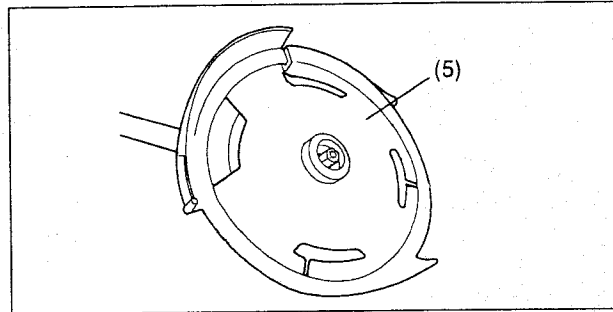
Turn the machine upside down, and you can replace the cutter blade or the nylon cutting head easily.

For RBC280 and RBC320

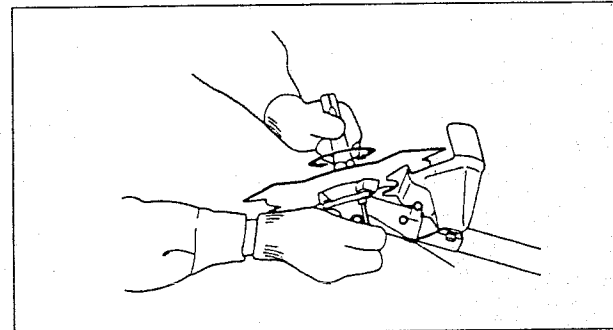
- Remove the nut from the shaft by turning the tightening nut (1) clockwise (left-hand thread).
- Remove the tightening washer (2).



- Place the blade (5) on the support washer (3).
- Put on the tightening washer and the spring washer (4).
- Tighten the tightening nut by hand.



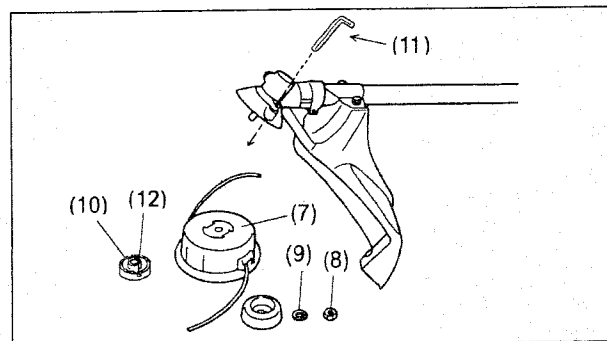
- Insert the socket-head wrench through the hole in the gear case and turn the box wrench until the support washer will be locked with its notch.
- Then tighten the tightening nut securely with left-hand thread spring washer and tightening nut. (Tighten them counter-clockwise.) (Tightening torque: 130 – 230 kg·cm)
- Remove the blade cover. (115 - 200 in-lb)
- Disassemble in the reverse order.
- When mounting or dismounting the cutter blade, be sure to wear gloves for your safety.



Mounting of nylon cutting head

For RBC281 and RBC321

- To install the nylon cutting head (7), remove the tightening nut (8) and the spring washer (9) and support washer (10).
- Insert the socket-head wrench (11) through the hole in the gear case and turn the support washer until it will be locked with its notch (12) (or the shaft will be locked).
- Then screw the nylon cutting head onto the shaft by turning it counter-clockwise.
- Remove the socket-head wrench.



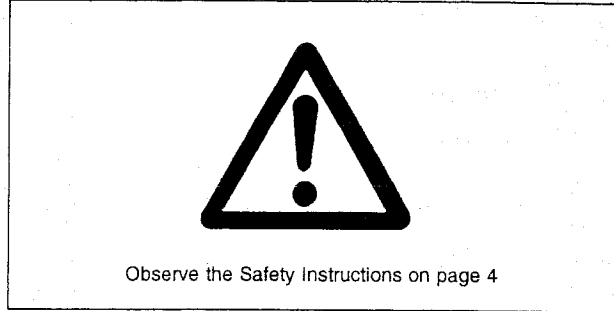
Fuels/Refuelling

Handling petroleum products

Utmost care is required when handling fuel. Fuel may contain substances similar to solvents. Refuel either in a well ventilated area or outdoors. Do not inhale fuel vapors, avoid any contact of fuel or oil with your skin.

Mineral oil products degrease your skin. If your skin comes in contact with these substances repeatedly or for an extended period of time, various skin diseases may result. In addition, allergic reactions are known to occur. Eyes can be irritated by contact with oil, fuel etc.

If oil comes into your eyes, immediately wash them with clear water. If your eyes are still irritated, see a doctor immediately!

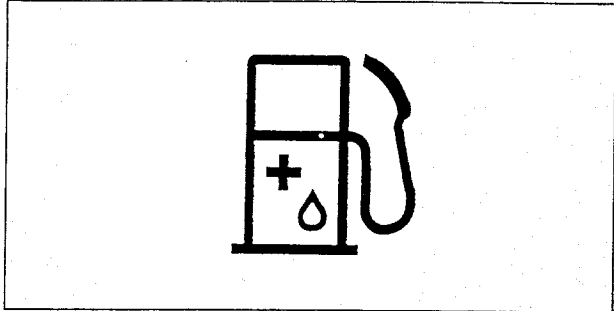


Fuel and oil mixture

The engine of the brush cutter or the grass trimmer is a high-efficiency two-stroke engine. It is run with a mixture of fuel and two-stroke engine oil. The engine is designed to use unleaded regular fuel with a min. octane value of 91 ROZ. If no such fuel is available, you can use fuel with a higher octane value. This will not affect the engine, but may cause poor operating behavior.

A similar situation will arise from the use of leaded fuel. To obtain optimum engine performance and to protect your health and the environment, only unleaded fuel should be used!


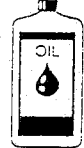
For engine lubrication use a two-stroke engine oil (quality grade: TSC-3), which is added to the fuel. The engine has been designed to use MAKITA two-stroke engine oil at mixture ratio of 20 – 25:1 to protect the environment. In addition, a long service life and reliable operation with a minimum emission of exhaust gasses is assured. It is absolutely essential to observe a mixture ratio of 20 – 25:1 MAKITA 2-stroke engine oil. Otherwise reliable function of the brush cutter or the grass trimmer cannot be guaranteed.



The correct mixture ratio:

Mix 20 – 25 parts gasoline with 1 part MAKITA 2-stroke engine oil (see table on right).

NOTE: For preparing the fuel-oil mixture first mix the entire oil quantity with half of the fuel required in an approved can which meets or exceeds all local code standards, then add the remaining fuel. Thoroughly shake the mixture before filling it into the brush cutter or the grass trimmer tank. It is not wise to add more engine oil than specified to ensure safe operation. This will only result in a higher production of combustion residues which will pollute the environment and clog the exhaust channel in the cylinder, the spark plugs as well as the muffler. In addition, fuel consumption will rise and the performance will be decreased.

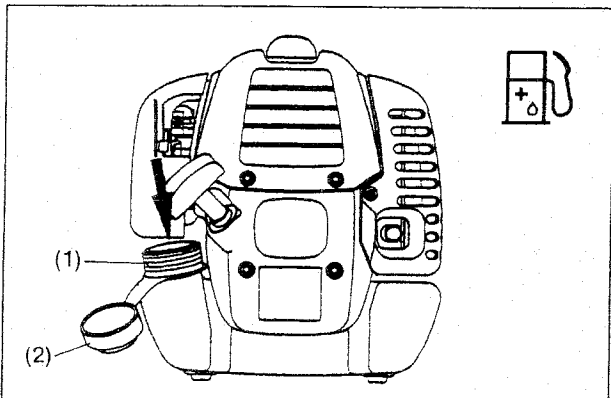
Gasoline	+	20 – 25:1
		
1,000 cm ³ (1 liter)		40 – 50 cm ³
5,000 cm ³ (5 liters)		200 – 250 cm ³
10,000 cm ³ (10 liters)		400 – 500 cm ³

Refuelling

Never perform refuelling operations in a closed, unventilated area.

The engine must be switched off!

- Thoroughly clean the area around the gas cap (1), to prevent dirt from getting into the fuel tank.
- Unscrew the gas cap (2) and fill the tank with fuel.
- Never fill the fuel tank to the very top.
- Securely screw on the gas cap (2).
- Wipe the screw plug and tank with an absorbent after refuelling!
Allow cloths to dry and discard in a proper container.



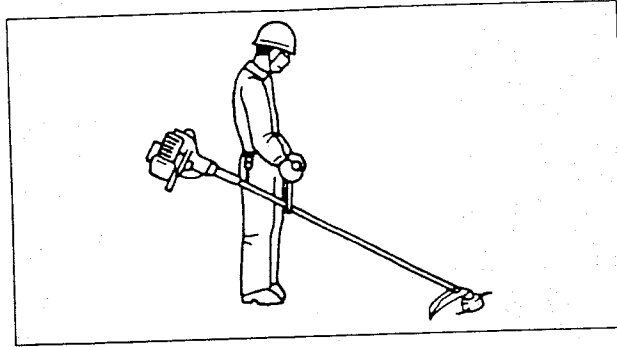
Storage of fuel

Fuel cannot be stored for an unlimited period of time. Purchase only the quantity required for a 4 week operating period. Only use approved fuel storage containers.

Proper handling of machine

Attachment of shoulder strap

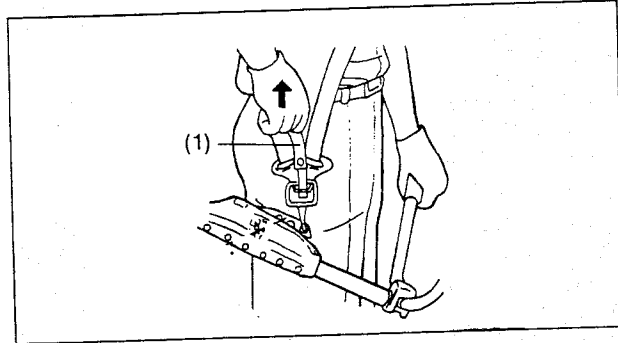
- Adjust the strap length so that the cutter blade will be kept parallel with the ground.



Detachment

- In an emergency, pull the release belt (1) strongly upward, and you can quickly detach the machine from the shoulder strap. Be extremely cautious to maintain control of the machine at this time. Do not allow the machine to be deflected toward you or any one in the work vicinity.

WARNING: Failure to maintain complete control of the machine at all times could result in serious bodily injury or DEATH.



Brush cutter operation

Observe all applicable accident prevention regulations!



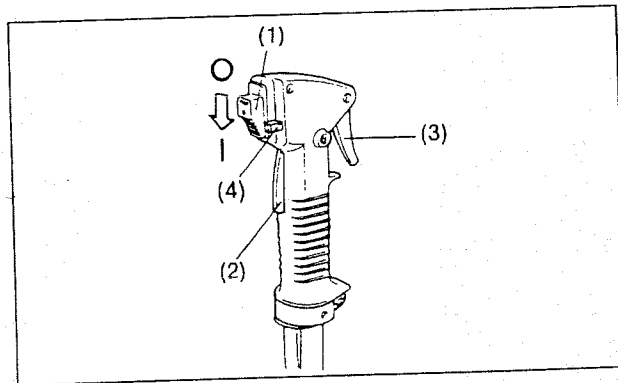
Starting

Move at least 3 m away from the place of refuelling. Place the brush cutter or the grass trimmer on an open area of ground taking care that the cutting tool does not come into contact with the ground or any other objects. Make sure that this area is clear of combustible materials.

Cold start

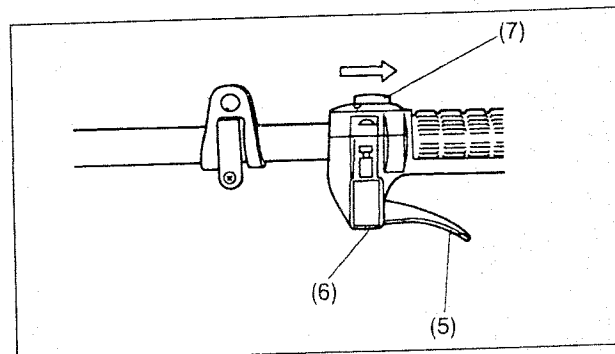
For machine with U handle or J handle

- Push the stop switch (1) in the direction shown by the arrow.
- Grasp the handle (hand pressure activates the safety lock-off lever (2)).
- Press the throttle lever (3) and hold it down.
- Press the lock button (4) and release the throttle lever. Then release the lock button (the lock button holds the throttle lever at the proper start-up position).

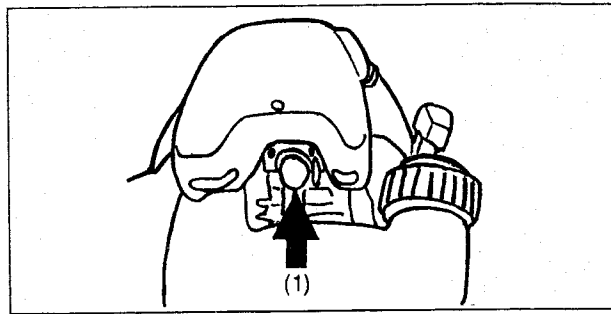


For machine with loop handle

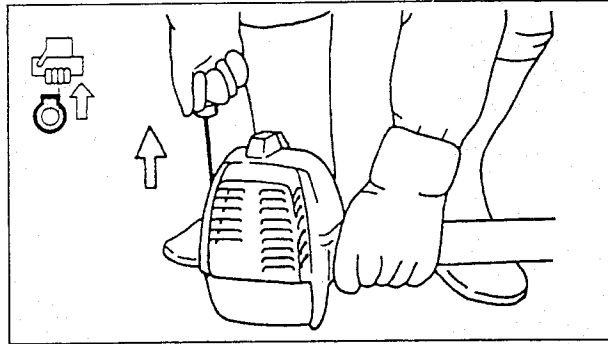
- Push the stop switch (7) in the direction shown by the arrow.
- Squeeze the throttle lever (5) fully.
- Then release the throttle lever while depressing the lock button (6).
- The throttle lever will now be locked in the "start-up" position.



- First place the machine on the ground.
- Give a gentle push on the primer pump (1) repeatedly (7 – 10 times) until fuel enters the primer pump.
- Move the choke lever (2) to the top position (|↑|).



- Firmly hold the clutch case with your left hand, as illustrated at right.
- Slowly withdraw the starter grip until resistance is felt and continue with a rapid pull.
- Do not pull the starter rope to its full extent and do not allow the starter handle to be retracted uncontrolled, but ensure that it is retracted slowly.
- Repeat the starting operation until initial engine ignition are heard.
- Depress the choke lever (|↓|) and pull the starter rope again until the engine starts.
- As soon as the engine starts, immediately squeeze and release the throttle, thus releasing the lock button so that the engine can run at idle.
- Run the engine for approximately one minute at a moderate speed to allow warm-up before applying full throttle.



Caution during operation:

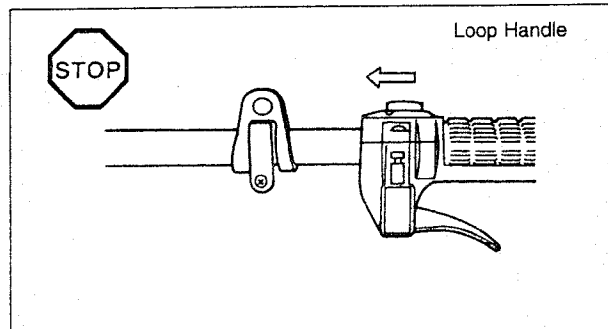
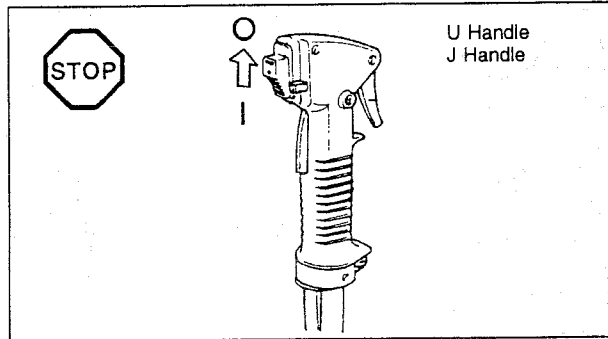
If the throttle lever is opened fully in a no-load operation, the engine rotation is increased to 10,000 rpm or more. Never operate the engine at a higher speed than is required (at an approximate speed of 6,000 – 8,000 rpm).

Starting the warm engine

- As described above, except without moving the choke lever (choke lever remains in the down position (|↓|)).

Stopping

- Release the throttle lever fully, and when the engine rpm has lowered, push the stop switch to "O" position. Engine will stop.



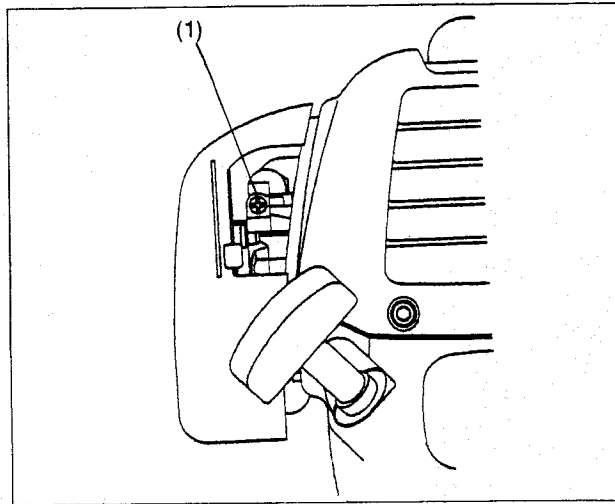
Idle adjustment

- Never attempt to make engine adjustments while the unit is running and strapped to the operator. Always make engine adjustments with the unit resting on a flat, clear surface.

The cutter blade or the nylon cutting head should not run when the throttle lever is fully released. If necessary, adjust the idle rpm using the idle adjusting screw.

Checking the idle speed

- Idle speed should be set to 2,600 rpm. If necessary correct it by means of the idle adjustment screw (the blade must not turn when the engine is at idle). Turning the screw (1) clockwise will cause an increase in the engine speed, whereas turning the screw counterclockwise will reduce the engine speed.



Resharpener the cutter blade

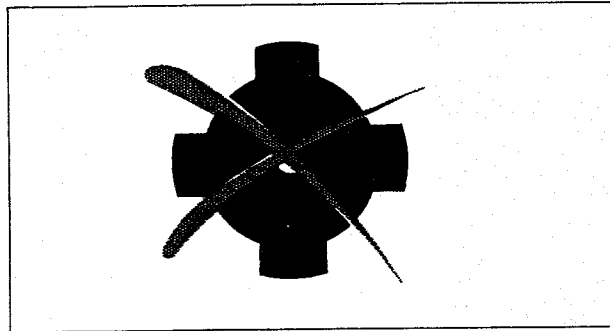
CAUTION: The cutter blades mentioned below must only be resharpened by an authorized facility. Manual resharpening will result in imbalances of the cutting tool causing potentially dangerous vibrations and damage to the equipment.



Star blade

- An expert resharpening and balancing service is provided by your Authorized Service Agent.

NOTE: To increase the service life of the star blade it may be turned over once, until both cutting edges have become dull. Never continue to use a dull blade or kickback and serious injury may result.



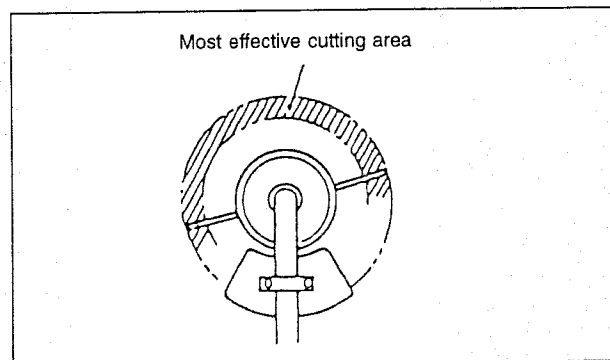
Nylon cutting head

The nylon cutting head is a dual grass trimmer head capable of both automatic and bump & feed mechanisms.

The nylon cutting head will automatically feed out the proper length of nylon cord by the changes in centrifugal force caused by increasing or decreasing rpms. However, to cut soft grass more efficiently, bump the nylon cutting head against the ground to feed out extra cord as indicated under operation section.

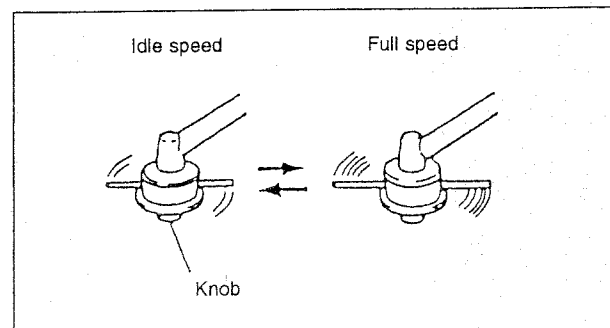
Operation

- Increase the nylon cutting head speed to approx. 6,000 rpm. Low speed (under 4,800 rpm) is not suitable, the nylon cord will not feed out properly at low speed.
- The most effective cutting area is shown by the shaded area.



If the nylon cord does not feed out automatically, proceed as follows:

1. Release the throttle lever to run the engine idle and then squeeze the throttle lever fully. Repeat this procedure until the nylon cord feeds out to the proper length.
2. If the nylon cord is too short to feed out automatically with the above procedure, bump the knob of the nylon cutting head against the ground to feed out the nylon cord.
3. If the nylon cord does not feed out with procedure 2, rewind/replace the nylon cord by following the procedures described under "Replacing the nylon cord".



Replacing the nylon cord

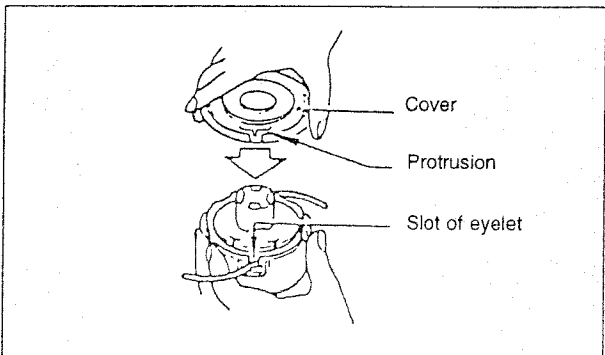
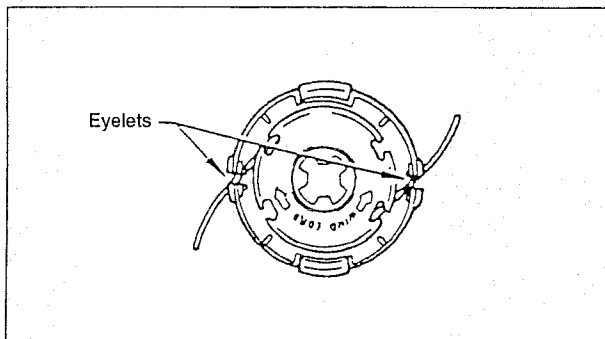
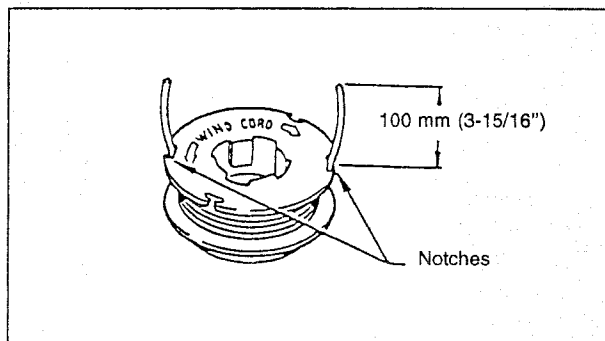
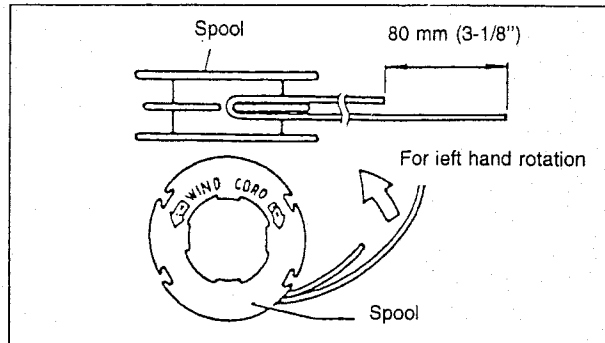
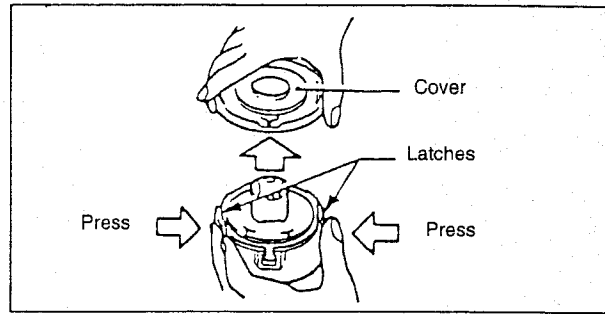
- First, stop the engine.
- Press on the housing latches inward to lift off the cover; then remove the spool.

- Hook the center of new nylon cord into the notch in the center of the spool, with one end of the cord extending about 80 mm (3-1/8") more than the other. Then wind both ends firmly around the spool in the direction of the head rotation (left-hand direction indicated by LH and right-hand direction by RH on the side of the spool).

- Wind all but about 100 mm (3-15/16") of the cords, leaving the ends temporarily hooked through a notch on the side of the spool.

- Mount the spool in the housing so that the grooves and protrusions on the spool match up with those in the housing. Keep the side with letters on the spool visible on the top. Now, unhook the ends of the cord from their temporary position and feed the cords through the eyelets to come out of the housing.

- Align the protrusion on the underside of the cover with the slots of the eyelets. Then push the cover firmly onto the housing to secure it.



Servicing instructions



CAUTION: Before doing any work on the brush cutter or the grass trimmer, always switch off the motor and pull the plug caps off the spark plugs (see "Checking the spark plugs"). Always wear protective gloves!

To ensure a long service life and to avoid any damage to the equipment, the following servicing operations should be performed at regular intervals.

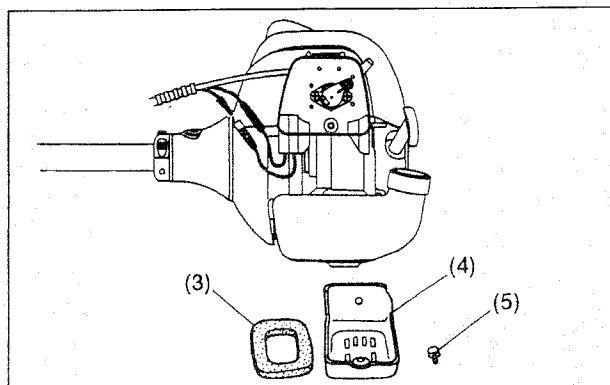
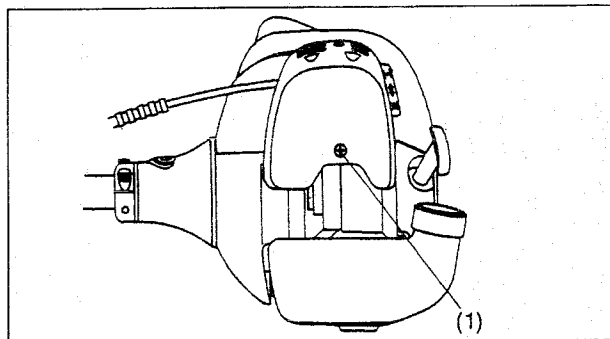
Daily checkup and maintenance

- Before operation, check the machine for loose screws or missing parts. Pay particular attention to the tightness of the cutter blade.
- Before operation, always check for clogging of the cooling air passage and the cylinder fins. Clean them if necessary.
- Perform the following maintenance daily after use:
 - Clean the brush cutter or the grass trimmer externally and inspect for damage.
 - Clean the air filter. When working under extremely dusty conditions, clean the filter and blow out the cooling air passage and cylinder fins several times a day.
 - Check the blade or the nylon cutting head for damage and dullness and make sure it is firmly mounted.
 - Check that there is sufficient difference between idling and engagement speed to ensure that the cutting tool is at a standstill while the engine is idling (if necessary reduce idling speed).
If under idling conditions the tool should still continue to run, consult your nearest Authorized Service Agent before further use of the tool.
- Check for proper functioning of the stop switch, the lock-off lever, the throttle lever, and the lock button.

Cleaning of air cleaner

- Unscrew the air cleaner cover mounting screw (1).
- Remove the air cleaner cover.
- Push the choke lever (2) up (arrow), to prevent dirt particles from entering the carburetor.
- Remove the sponge element (3). Wash it with lukewarm water and then dry it thoroughly.
- After cleaning the air cleaner, install the air cleaner cover (4) and tighten the screw (5) to secure.

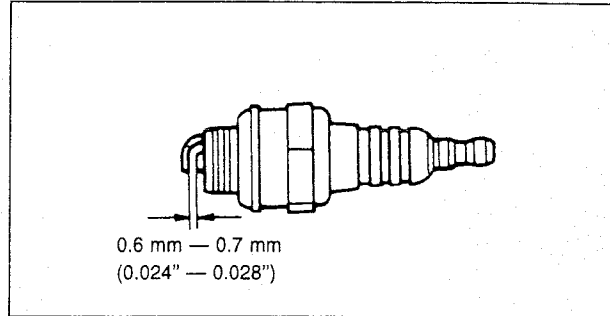
NOTE: If there is excessive dust or dirt adhering to the air cleaner, clean it every day. A clogged air cleaner may make it difficult or impossible to start or run the engine at proper rotational speeds.



Checking the spark plugs

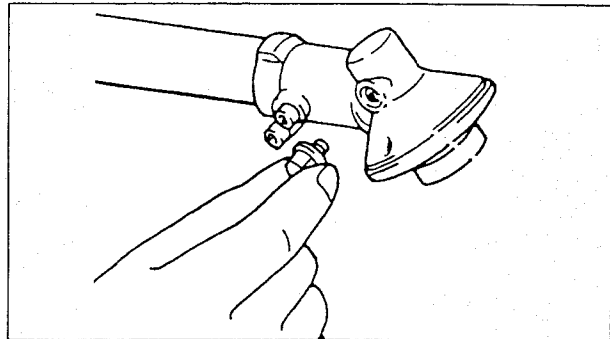
- Use only the supplied socket wrench to remove or install the spark plug.
- The gap between the two electrodes of the spark plug should be 0.6 – 0.7 mm (0.024" – 0.028"). If the gap is too wide or too narrow, adjust it. If the spark plug is clogged with carbon or fouled, clean it thoroughly or replace it.

CAUTION: Never touch the spark plug connector while engine is running (danger of high voltage electric shock).



Supply of grease to gear case

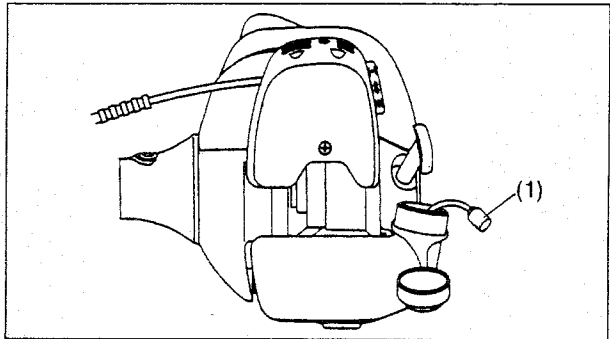
- Supply grease (Shell Alvania No. 3 or equivalent) to the gear case through the grease hole every 30 hours of operation. (Genuine MAKITA grease may be purchased from your MAKITA dealer.)



Suction head in the fuel tank

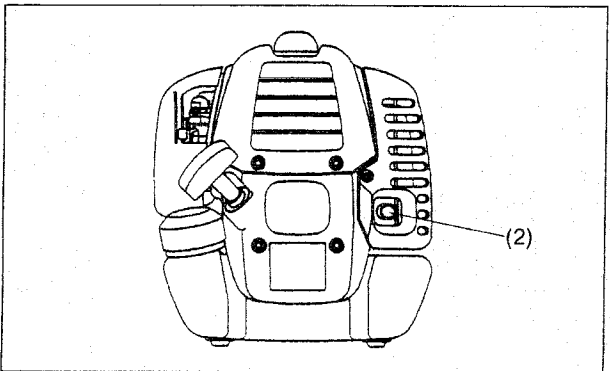
The felt gas line filter (1) of the suction head is used to filter the fuel required by the carburetor.

- A periodical visual inspection of the felt filter is to be conducted. To accomplish this, open the tank cap, use a wire hook and pull out the suction head through the tank opening. Filters found to have hardened, become polluted or clogged are to be replaced.
- Insufficient fuel supply can result in excessively high and dangerous engine speeds. It is therefore important to replace the felt filter at least every three months to ensure satisfactory fuel supply to the carburetor.



Cleaning of muffler exhaust port

- Check muffler exhaust port (2) regularly.
- if it is clogged with carbon deposits, carefully scrape the deposits out with a suitable tool.



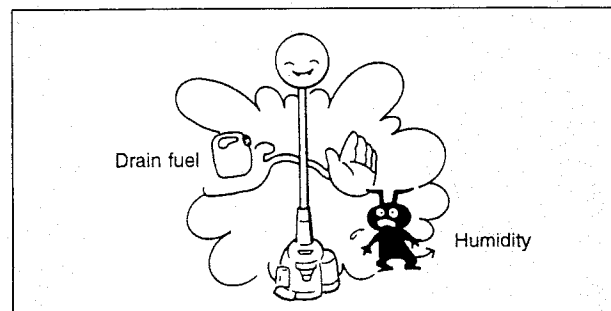
Any maintenance or adjustment work that has not been included and described in this manual is only to be performed by Authorized Service Agent.

Maintenance schedule

General	Engine assembly, screws and nuts	Visual inspection for damage and tightness Check for general condition and security
After each refuelling	Throttle lever Safety lock key Stop switch	Functional check Functional check Functional check
Daily	Air filter Cooling air duct Cutting blade Idling speed	To be cleaned To be cleaned Check for damage and sharpness Inspection (cutting tool must not move)
Weekly	Spark plug Muffler	Inspection, replace if necessary Check and if necessary clean the opening
Quarterly	Suction head (gas line filter) Fuel tank	To be replaced To be cleaned
Shutting down procedure	Fuel tank Carburetor	Empty fuel tank Operate until engine runs out of fuel

Storage

- When keeping the machine in storage for a long time, drain fuel from the fuel tank and carburetor, as follows : Drain all fuel from the fuel tank. Dispose of properly and in accordance with all local laws.
- Remove the spark plugs and add a few drops of oil into each spark plug hole. Then, pull the starter gently. Confirm that oil film covers the engine inside and tighten the spark plugs.
- Clear dirt or dust from the cutter blade and outside of engine, wipe them with an oil-immersed cloth and keep the machine locked in a dry, well ventilated location.
- Do not store in a closed area where fuel vapors can reach an open flame from hot water heaters, furnaces etc.

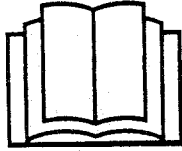


Troubleshooting procedures

Problem	System	Observation	Possible causes
Engine not starting or starts with difficulty	Ignition system	Ignition spark is present	Faulty fuel supply or compression system, mechanical defect
		No ignition spark	Stop switch operated, wiring fault or short circuit, spark plug or connector defective, ignition module faulty
	Fuel supply	Fuel tank filled	Incorrect choke position, carburetor defective, suction head (gas line filter) dirty, fuel supply line bent or interrupted
	Compression	Inside of engine	Cylinder bottom gasket defective, crankshaft seals damaged, cylinder or piston rings defective
		Outside of engine	Improper sealing of spark plug
Mechanical fault	Starter not engaging	Broken starter spring, broken parts inside of the engine	
Warm start problems		Tank filled Ignition spark existing	Choke in incorrect position Carburetor contaminated, have it cleaned
Engine starts but dies immediately	Fuel supply	Tank filled	Incorrect idling adjustment, suction head or carburetor contaminated
			Fuel tank cap defective, fuel supply line interrupted, cable or Stop switch faulty
Insufficient performance	Several systems may simultaneously be affected	Engine idling	Air filter contaminated, carburetor contaminated, muffler clogged, exhaust duct in the cylinder clogged

Nous vous remercions d'avoir porté votre choix sur une débroussailleuse ou un taille-bordures MAKITA. Cette débroussailleuse ou ce taille-bordures MAKITA est le fruit d'un long programme de développement et de nombreuses années d'expérience et d'accumulation de connaissances.

Lire attentivement ce manuel et suivre les instructions données. Il décrit en détail les divers points démontrant les exceptionnelles performances de la débroussailleuse ou du taille-bordures. Ceci vous permettra d'obtenir les meilleurs résultats de cette débroussailleuse ou de ce taille-bordures MAKITA.



Sommaire

Page

Symboles	23
Consignes de sécurité	24 – 27
Données techniques	28 – 29
Désignation des pièces	30
Montage du moteur	31
Montage de la poignée	32
Raccordement du câble de commande et du câble d'allumage	33
Montage du protecteur	34
Montage du couteau	35
Carburants/Renouvellement du carburant	36
Maniement correct de la machine	37
Utilisation de la débroussailleuse	37 – 38
Réglage du ralenti	39
Aiguisage du couteau	39 – 40
Instructions pour l'entretien	41 – 42
Programme d'entretien	43
Remisage	43
Guide de dépannage	43

Symboles

La signification des symboles suivants est très importante pour la compréhension des instructions de ce manuel.

	ATTENTION/DANGER		Porter des protections pour les yeux et les oreilles (pour le taille-bordures)
	Lire attentivement ce manuel et suivre les instructions données		Porter un casque protecteur et se protéger les yeux et les oreilles. (Pour la débroussailleuse)
	Interdit		Ne pas utiliser de couteaux (pour le taille-bordures)
	Distance de sécurité		Vitesse de sécurité maximale de l'outil
	Danger de projection d'objets		Mélange de carburant et d'huile
	Défense de fumer		Démarrage manuel du moteur
	Flammes vives interdites		Arrêt d'urgence
	Porter des gants protecteurs		Premiers secours
	Réaction arrière		Recyclage
	Personnes et animaux interdits dans la zone d'utilisation		Logo de la CE

CONSIGNES DE SECURITE

Consignes générales

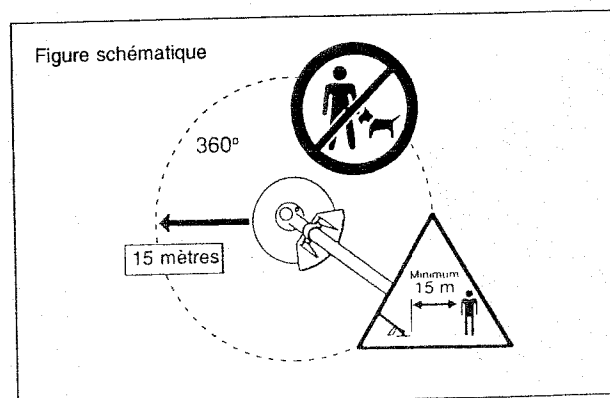
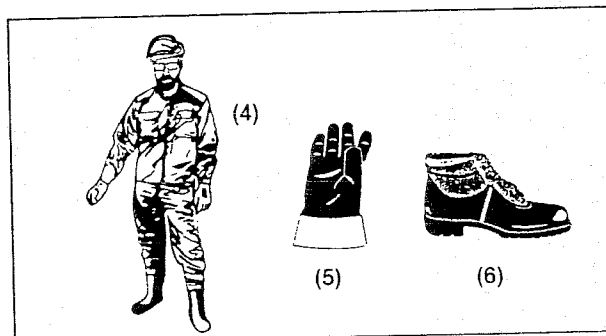
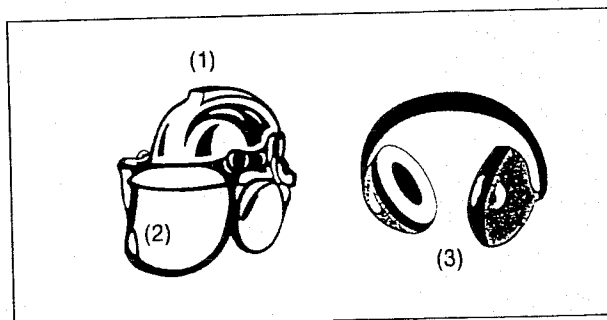
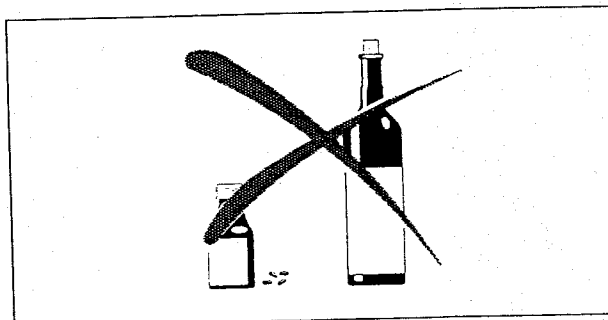
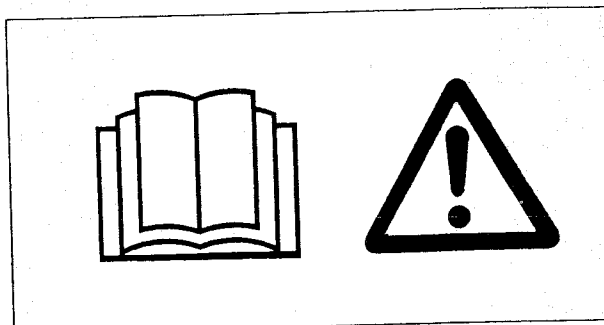
- Lire attentivement ce manuel et suivre les instructions données afin de se familiariser avec le maniement de la débroussailleuse ou du taille-bordures. Ceci permettra d'utiliser correctement l'outil et de travailler en sécurité. Un mauvais maniement de la débroussailleuse ou du taille-bordures par un utilisateur insuffisamment informé est dangereux pour celui-ci et les personnes autour.
- Il est recommandé de ne pas prêter cette machine à des personnes qui n'ont pas une expérience suffisante des débroussailleuses ou des taille-bordures. Toujours prêter le manuel d'instructions avec la débroussailleuse ou les taille-bordures.
- Le premier utilisateur doit demander au revendeur de lui expliquer le maniement de base d'une débroussailleuse ou d'un taille-bordures à moteur.
- Les enfants et jeunes de moins de 18 ans ne doivent pas être autorisés à utiliser la débroussailleuse ou le taille-bordures. A partir de 16 ans, on peut toutefois commencer à apprendre à l'utiliser, mais uniquement sous la surveillance directe d'un instructeur qualifié.
- Utiliser la débroussailleuse ou le taille-bordures avec les plus grandes précautions et la plus grande attention.
- Ne pas utiliser la débroussailleuse ou le taille-bordures si l'on n'est pas en parfaite condition physique. Travailler consciencieusement et prudemment. L'utilisateur doit être conscient de sa responsabilité envers les autres.
- Ne jamais utiliser la débroussailleuse ou le taille-bordures après avoir consommé de l'alcool ou pris des médicaments.
- Ne pas utiliser la débroussailleuse ou le taille-bordures lorsqu'on est fatigué.
- **Conserver ce manuel pour pouvoir le consulter ultérieurement.**

Equipement de protection personnelle

- Les vêtements doivent être fonctionnels et adaptés. Ils doivent être bien ajustés sans, toutefois, gêner les mouvements. Ne pas porter de bijoux ou de vêtements qui pourraient se prendre dans les broussailles ou les buissons. Si l'on a les cheveux longs, les attacher.
- Afin de ne pas risquer des blessures à la tête, aux yeux, aux mains et aux pieds ou des problèmes auditifs, porter l'équipement et les vêtements protecteurs suivants lorsqu'on utilise la débroussailleuse ou le taille-bordures.
- Toujours porter un casque lorsqu'on travaille en forêt. Vérifier régulièrement si le **casque** (1) n'est pas endommagé et le remplacer au moins tous les 5 ans. N'utiliser qu'un casque protecteur agréé.
- La **visière** (2) du casque ou des lunettes protectrices agréées protègent les yeux et le visage contre les projections de brindilles, pierres et autres objets. Lorsqu'on travaille avec la débroussailleuse ou le taille-bordures, toujours se protéger les yeux avec des lunettes protectrices ou la visière du casque.
- Pour éviter des problèmes auditifs, porter un **équipement adéquat de protection contre le bruit** (protège-oreilles (3), protège-tympans, etc.), surtout en cas d'utilisation prolongée de la débroussailleuse ou du taille-bordures.
- Les **combinaisons de travail** (4) protègent le corps contre les projections de pierres et les éclats de bois. Nous recommandons vivement à l'utilisateur de porter une combinaison de travail.
- Des **gants spéciaux** (5) en cuir épais font partie de l'équipement prescrit et doivent toujours être portés pendant l'utilisation de la débroussailleuse ou du taille-bordures.
- Lors de l'utilisation de la débroussailleuse ou du taille-bordures, toujours porter des **chaussures robustes** (6) à semelle antidérapante. Ceci protège contre les blessures et assure une bonne prise des pieds.

Mise en marche de la débroussailleuse ou du taille-bordures

- S'assurer qu'il n'y a pas d'enfant ou d'autres personnes dans un rayon de 15 mètres et veiller également à ce qu'il n'y ait pas d'animaux à proximité.
- **Avant l'utilisation, toujours vérifier les points suivants afin d'assurer la sécurité :**
S'assurer que le couteau est bien fixé. Vérifier que l'écrou de montage du couteau est serré à fond. S'assurer que la manette des gaz est facile à manoeuvrer et que son mouvement est régulier. S'assurer que le verrou de la manette des gaz fonctionne correctement. Le couteau ne doit pas tourner lorsque le moteur fonctionne au ralenti. Se reporter aux instructions de réglage du ralenti à la page 39. S'assurer que les poignées sont propres et sèches et vérifier le fonctionnement de l'interrupteur. Veiller à ce que de l'huile ou du carburant ne vienne pas sur les poignées.



Mettre la débroussailleuse ou le taille-bordures en marche en suivant rigoureusement les instructions.

N'utiliser que la méthode indiquée pour mettre le moteur en marche.

- N'utiliser la débroussailleuse ou le taille-bordures et les outils fournis que pour les applications indiquées.
- **Ne mettre le moteur de la débroussailleuse ou du taille-bordures en marche qu'après avoir terminé tout le montage de l'outil.**

L'utilisation de la débroussailleuse ou du taille-bordures n'est autorisée qu'une fois que tous les accessoires appropriés ont été montés.

- Avant la mise en marche, s'assurer que le couteau ne viendra pas en contact avec des objets tels que branches ou pierres.
- En cas de problème du moteur, l'arrêter immédiatement.
- Si le couteau heurte des pierres ou d'autres objets, arrêter immédiatement le moteur et contrôler le couteau.
- Vérifier fréquemment si le couteau n'est pas endommagé. Vérifier s'il n'est pas fêlé en donnant de petits coups sur le couteau et en écoutant le bruit produit.
- On doit entendre un tintement familier.
- N'utiliser la débroussailleuse ou le taille-bordures qu'après avoir attaché le harnais.

Régler correctement la longueur du harnais avant de mettre la débroussailleuse ou le taille-bordures en marche. Pour éviter la fatigue ou une perte de contrôle de l'outil, il est important que le harnais soit ajusté à la taille de l'utilisateur. Ne jamais tenir la débroussailleuse ou le taille-bordures d'une seule main pendant l'utilisation.

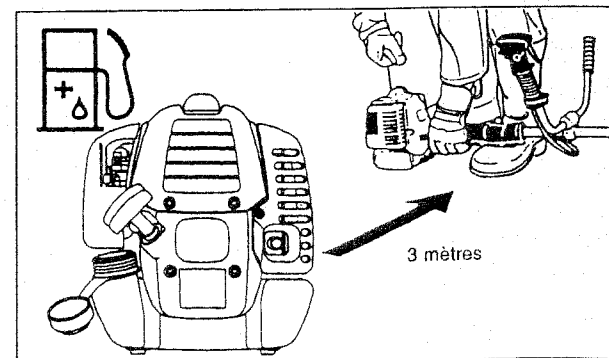
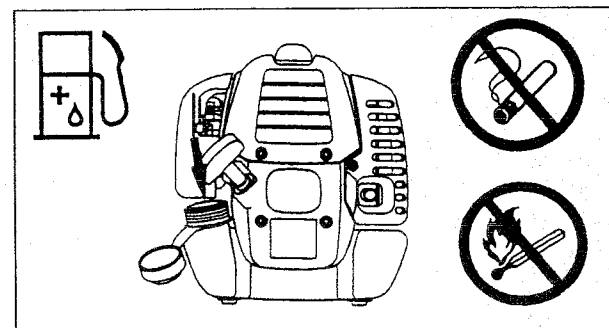
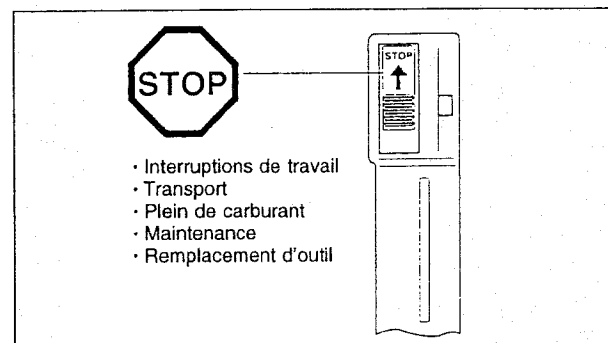
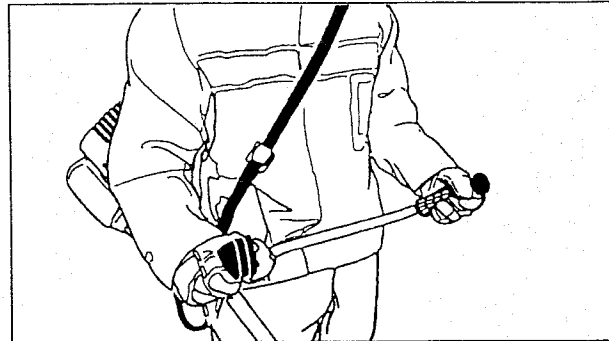
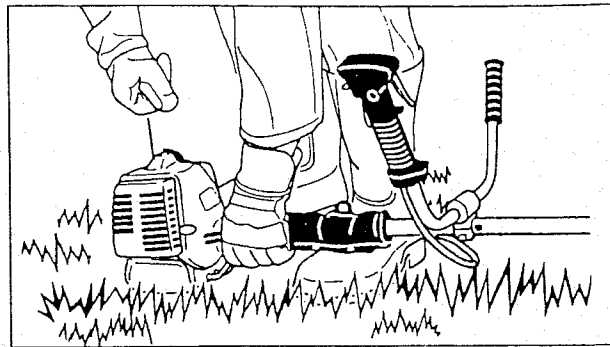
- Pendant l'utilisation, toujours tenir la débroussailleuse ou le taille-bordures des deux mains.

Veiller à avoir toujours une bonne prise des pieds.

- Utiliser la débroussailleuse ou le taille-bordures d'une manière telle que l'on ne respire pas les gaz d'échappement. Ne jamais faire fonctionner le moteur dans un local clos (risque d'asphyxie et d'intoxication par les gaz). Le monoxyde de carbone est un gaz inodore. Veiller à ce que l'aération soit toujours suffisante.
- Arrêter le moteur avant de faire une pause ou de laisser la débroussailleuse ou le taille-bordures sans surveillance. Placer la débroussailleuse ou le taille-bordures dans un endroit où elle ne présente pas de danger pour les autres et où elle ne risque pas d'enflammer de matières combustibles ou d'être endommagée.
- Ne jamais mettre la débroussailleuse ou le taille-bordures sur de l'herbe sèche ou sur des matières combustibles.
- Le couteau doit toujours être utilisé avec le protecteur approprié. Ne jamais utiliser le couteau sans son protecteur.
- Durant le fonctionnement, tous les protecteurs et autres pièces de protection fournis avec la débroussailleuse ou le taille-bordures doivent être utilisés.
- Ne jamais faire fonctionner le moteur avec un pot d'échappement défectueux.
- Avant de transporter la débroussailleuse ou le taille-bordures, arrêter le moteur.
- Pour un long transport, toujours utiliser le protecteur d'outil fourni avec la débroussailleuse.
- En cas de transport dans un véhicule, placer la débroussailleuse de manière que le carburant ne fuie pas.
- Avant de transporter la débroussailleuse ou le taille-bordures, s'assurer que le réservoir est complètement vide.

Renouvellement du carburant

- Avant de renouveler le carburant, arrêter le moteur. Ne pas approcher de flammes vives et ne pas fumer pendant cette opération.
- Éviter le contact des produits pétroliers avec la peau. Ne pas respirer les vapeurs de carburant. Toujours porter des gants protecteurs lorsqu'on fait le plein du réservoir. A intervalles réguliers, changer de vêtements protecteurs et les faire nettoyer.
- Veiller à ne pas souiller le sol avec du carburant ou de l'huile (protection de l'environnement). Si du carburant a été renversé, nettoyer immédiatement la débroussailleuse ou le taille-bordures. Laisser sécher les chiffons avant de les jeter. Les jeter dans un récipient approprié muni d'un couvercle pour qu'ils ne puissent pas s'enflammer spontanément.
- Veiller à ne pas renverser de carburant sur les vêtements. Si du carburant vient sur les vêtements, se changer immédiatement (danger de mort).
- S'assurer régulièrement que le bouchon du réservoir est serré à fond.
- Serrer avec soin le vis de verrouillage du réservoir. Changer d'endroit avant de mettre le moteur en marche (à une distance d'au moins 3 mètres de l'endroit où l'on a fait le plein).
- Ne jamais faire le plein dans un local clos. Les vapeurs de carburant s'accumulent au niveau du sol (risque d'explosion).
- Ne transporter et ne stocker le carburant que dans des récipients agréés. S'assurer que la réserve de carburant est hors de portée des enfants.
- Ne pas faire le plein lorsque le moteur est chaud ou qu'il tourne.
- L'essence utilisée (mélangée avec de l'huile moteur deux temps) ne doit contenir ni éthanol ni méthanol (types d'alcool). Ceci est destiné à protéger les canalisations de carburant et les autres pièces du moteur.



Méthode d'utilisation

- N'utiliser la débroussailleuse ou le taille-bordures qu'avec un éclairage et une visibilité suffisants. En hiver, prendre garde aux endroits glissants ou mouillés, à la glace et à la neige (risque de glisser). Veiller à avoir toujours une bonne prise des pieds.
- Ne pas présumer de ses forces. Garder toujours une bonne prise des pieds, un bon équilibre et un bon contrôle de la débroussailleuse ou du taille-bordures.
- Ne jamais couper au-dessus du niveau de la taille.
- Ne jamais monter sur une échelle lors de l'utilisation de la débroussailleuse ou du taille-bordures.
- Ne jamais monter sur un arbre pour effectuer une opération de coupe avec la débroussailleuse ou le taille-bordures.
- Ne jamais travailler sur une surface instable ou un terrain très en pente.
- Enlever tous les objets tels que pierres, clous, éclats de verre et fils métalliques de la zone de travail. Ces objets risquent d'endommager le couteau et de provoquer des réactions arrière dangereuses. Ils peuvent également être projetés.
- Avant de commencer à couper, veiller à ce que le couteau ait atteint la vitesse normale de travail.
- Ne jamais utiliser la débroussailleuse ou le taille-bordures à l'envers ou avec une inclinaison excessive.
- **ATTENTION ! — La partie du couteau reste dangereuse lors de la décélération de la machine précédant l'arrêt.**

Réaction arrière

- Lors de l'utilisation de la débroussailleuse ou du taille-bordures, il peut se produire une réaction arrière incontrôlée.
- Ceci est particulièrement vrai si l'on essaie de couper avec le secteur du couteau compris entre 12 et 2 heures lorsqu'on regarde depuis la position de l'utilisateur.
- Ne jamais mettre ce secteur du couteau en contact avec des objets tels que buissons, souches, arbrisseaux, etc., de plus de 3 cm de diamètre.
- La débroussailleuse ou le taille-bordures serait alors déviée brutalement et avec force et risquerait de provoquer des blessures graves.
- **Ne jamais essayer de couper avec le secteur du couteau compris entre 12 et 2 heures.**

Prévention de la réaction arrière

Pour éviter une réaction arrière, respecter les consignes suivantes :

- Une utilisation dans le secteur du couteau compris entre 12 et 2 heures peut être très dangereuse, tout particulièrement avec des couteaux en métal.
L'utilisation dans le secteur du couteau entre 11 et 12 heures, et entre 2 et 5 heures présente aussi un certain risque de réaction arrière.
- Des opérations de coupe dans le secteur du couteau compris entre 11 et 12 heures, et entre 2 et 5 heures ne doivent être effectuées que par des utilisateurs entraînés et expérimentés, et ce à leurs propres risques. Il est possible de travailler facilement presque sans aucune réaction arrière dans le secteur du couteau compris entre 8 et 11 heures.

Outils de coupe

Utiliser seulement un outil de coupe adapté au travail à exécuter.

Dispositif de coupe à fil :

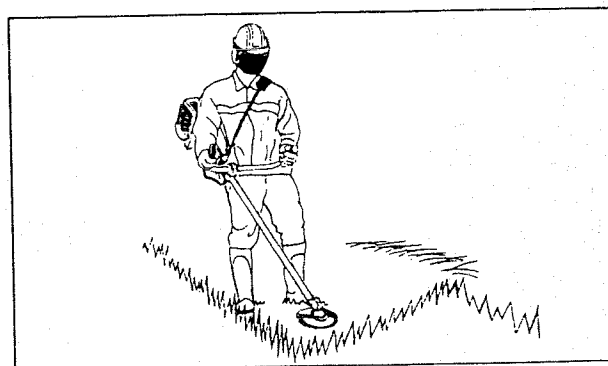
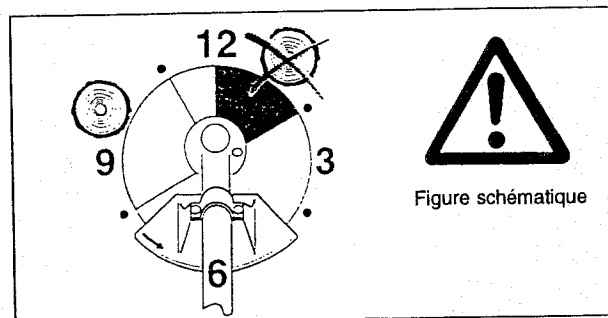
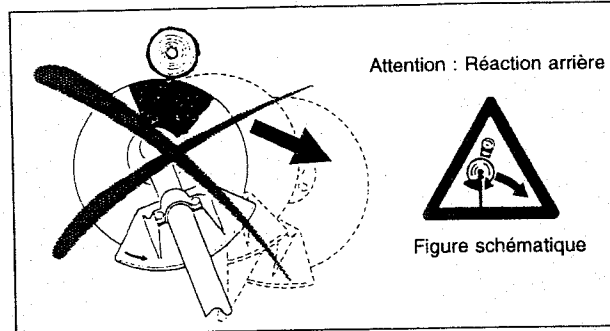
Le dispositif de coupe à fil est exclusivement destiné à la coupe le long des murs, clôtures, haies, arbres, poteaux, etc. (en complément d'une tondeuse à gazon). Effectuer ce travail de coupe en balançant uniformément le taille-bordures en demi-cercles de droite à gauche.

Couteau à 4 dents

Le couteau à 4 dents est destiné à la coupe de matières épaisses telles que mauvaises herbes, herbes hautes, buissons, arbrisseaux, taillis et fourrés (épaisseur maximale de 2 cm de diamètre). Effectuer ce travail de coupe en balançant uniformément la débroussailleuse en demi-cercles de droite à gauche (comme avec une faux).

Instructions de maintenance

- Avant de commencer à travailler, vérifier l'état de la débroussailleuse ou du taille-bordures et en particulier celui du couteau, de son protecteur et du harnais. Prêter une attention particulière aux lames du couteau qui doivent être correctement aiguisées.
- Avant de remplacer ou d'aiguiser le couteau ou de nettoyer la débroussailleuse ou l'outil de coupe, arrêter le moteur et retirer les connecteurs des bougies.



Ne jamais essayer de redresser ou souder des couteaux endommagés.

- Etre attentif à l'environnement. Utiliser la débroussailleuse ou le taille-bordures avec le minimum de bruit et de pollution possible. Veiller tout particulièrement à ce que le réglage du carburateur soit correct.
- Nettoyer régulièrement la débroussailleuse ou le taille-bordures et s'assurer que tous les écrous et vis sont bien serrés.
- Ne jamais procéder à une opération d'entretien ou remiser la débroussailleuse ou le taille-bordures à proximité de flammes vives, étincelles, etc.
- Toujours remiser la débroussailleuse ou le taille-bordures dans un local fermé à clé et bien aéré après avoir vidé le réservoir.

Observer les règles sur la prévention des accidents prescrites par les associations commerciales concernées et par les compagnies d'assurances. N'effectuer aucune modification sur la débroussailleuse ou le taille-bordures car ceci pourrait rendre son utilisation dangereuse.

L'entretien ou les réparations pouvant être effectués par l'utilisateur se limitent aux opérations indiquées dans ce manuel d'instructions. Toute autre opération doit être confiée à un agent de service après-vente agréé.

N'utiliser que des pièces de rechange et des accessoires d'origine fournis par MAKITA. L'utilisation d'accessoires et d'outils non agréés augmente les risques d'accident et de blessures. MAKITA décline toute responsabilité pour des accidents ou des dommages causés par l'utilisation d'outils de coupe ou accessoires non agréés.

Premiers secours

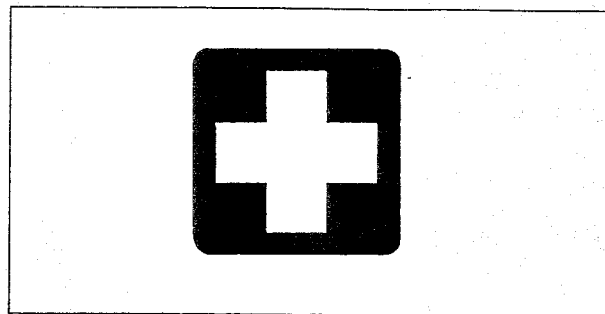
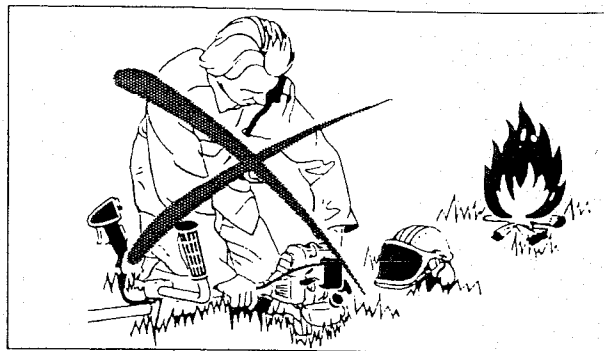
Pour être paré en cas d'accident, prévoir une trousse de premiers de secours à proximité des opérations de coupe. Remplacer immédiatement tout article pris dans la trousse de premiers secours.

Lorsqu'on demande de l'aide lors d'un accident, fournir les informations suivantes :

- Lieu de l'accident
- Circonstances de l'accident
- Nombre de blessés
- Type de blessures
- Nom de la personne qui appelle

Emballage

La débroussailleuse ou le taille-bordures MAKITA sont livrées dans deux cartons qui les protègent contre les dommages pendant le transport. Le carton est une matière première de base et peut être réutilisé ou recyclé (recyclage des vieux papiers).



DECLARATION DE CONFORMITE CE

Je soussigné, Yasuhiko Kanzaki, habilité par le siège de Makita France S.A., 2, Allée des Performances, Zone Industrielle des Richardets (B.P. 119), 93162 Noisy le Grand Cédex, France, déclare que le matériel Makita,

Modèles : RBC280, RBC281
RBC320, RBC321

fabriqué par Robin,

est conforme aux exigences de sécurité et de santé de base des directives CE suivantes:

Directive CE relative aux machines 89/392/CEE
Directive EMV CE 89/336/CEE

Les principales normes utilisées pour satisfaire aux exigences des directives CE ci-dessus étaient les suivantes : prEN 31806, EN50081-1, EN 50082-1, DIN VDE 0879 T1.

Noisy le Grand Cédex, le 14 novembre 1996

Yasuhiko Kanzaki

Directeur Général

Cette déclaration ne s'applique qu'aux machines conformes à la norme CEN.

Données techniques RBC 280, RBC 281

Modèle		RBC 280		RBC 281		
		Poignée en U		Poignée simple	Poignée en J	
Dimensions : longueur x largeur x hauteur (sans couteau)		mm	1785 × 590 × 340	1785 × 335 × 345	1785 × 335 × 345	
Poids (sans protecteur en plastique et couteau)		kg	5.9	5.9	5.8	
Volume (réservoir)		cm ³	0.8			
Cylindrée du moteur		cm ³	27.2			
Puissance maximale du moteur		kW	0.84kW at 7,000 1/min			
Régime moteur à la vitesse maximale de broche recommandée		tr/mn	8,800			
Vitesse maximale de broche (correspondante)		tr/mn	6,000			
Consommation de carburant		kg/h	0.38			
Consommation spécifique de carburant		g/kWh	456			
Régime de ralenti		tr/mn	2,600			
Régime d'engagement de l'embrayage		tr/mn	3,800			
Carburateur (carburateur à membrane)		type	WALBRO WYJ			
Système d'allumage		type	Allumage à semiconducteurs			
Bougie		type	NGK BMR7A			
Ecartement des électrodes		mm	0,6 — 0,7			
Vibrations selon ISO 7916 ¹⁾	Poignée droite (Poignée arrière)	Ralenti	m/s ²	3.18	—	2.94
		Emballement ou pleins gaz	m/s ²	3.25	—	6.57
	Poignée gauche (Poignée avant)	Ralenti	m/s ²	3.83	—	4.05
		Emballement ou pleins gaz	m/s ²	4.01	—	6.69
Niveau moyen de pression acoustique selon ISO 7917 ¹⁾		db (A)	90.6	—	95.0	
Niveau moyen de puissance acoustique selon ISO 10884 ¹⁾		db (A)	101	—	105	
Proportion de mélange (carburant : huile 2 temps MAKITA)			50 : 1			
Rapport de réduction			13/19			

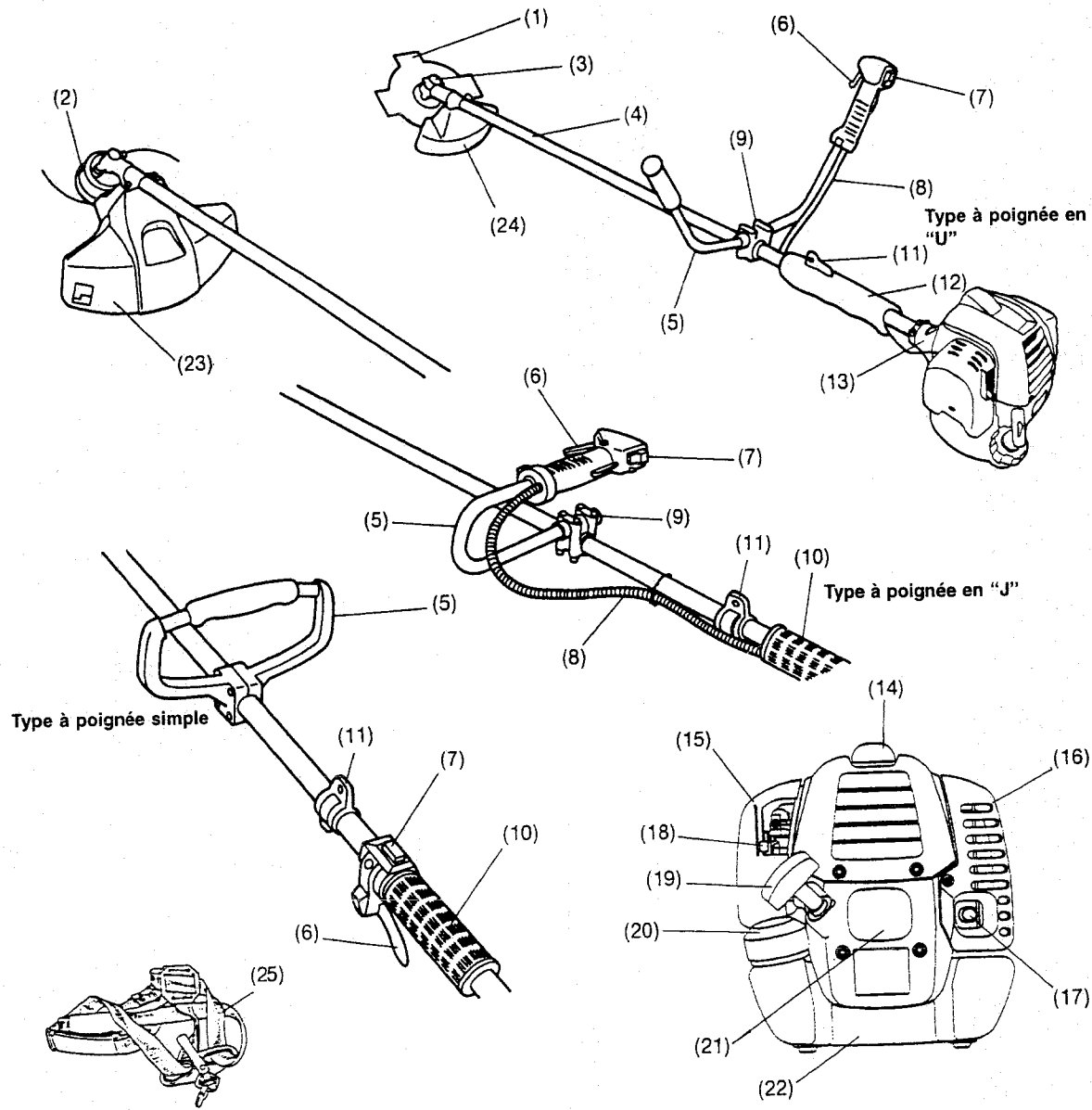
- 1) Ces données tiennent également compte des modes de fonctionnement au ralenti et à plein régime ou pleins gaz.
 2) Certaines machines à poignée en "U" ne respectent pas la norme CEN.
 Les machines à poignée simple ne respectent pas la norme CEN.
 Les machines à poignée en "J" respectent la norme CEN.
 (L'étiquette CE est apposée sur les machines qui respectent la norme CEN.)

Données techniques RBC 320, RBC 321

Modèle		RBC320		RBC321		
		Poignée en U		Poignée simple	Poignée en J	
Dimensions : longueur x largeur x hauteur (sans couteau)		mm	1785 × 590 × 340	1785 × 335 × 345	1785 × 335 × 345	
Poids (sans protecteur en plastique et couteau)		kg	5.9	5.9	5.8	
Volume (réservoir)		cm ³	0.8			
Cylindrée du moteur		cm ³	30.5			
Puissance maximale du moteur		kW	0.95kW at 7,000 1/min			
Régime moteur à la vitesse maximale de broche recommandée		tr/mn	8,800			
Vitesse maximale de broche (correspondante)		tr/mn	6,000			
Consommation de carburant		kg/h	0.44			
Consommation spécifique de carburant		g/kWh	467			
Régime de ralenti		tr/mn	2,600			
Régime d'engagement de l'embrayage		tr/mn	3,800			
Carburateur (carburateur à membrane)		type	WALBRO WYJ			
Système d'allumage		type	Allumage à semiconducteurs			
Bougie		type	NGK BMR7A			
Ecartement des électrodes		mm	0,6 — 0,7			
Vibrations selon ISO 7916 ¹⁾	Poignée droite (Poignée arrière)	Ralenti	m/s ²	3.84	—	3.95
		Emballement ou pleins gaz	m/s ²	3.23	—	6.97
	Poignée gauche (Poignée avant)	Ralenti	m/s ²	3.36	—	4.92
		Emballement ou pleins gaz	m/s ²	4.99	—	4.42
Niveau moyen de pression acoustique selon ISO 7917 ¹⁾		db (A)	90.8	—	94.5	
Niveau moyen de puissance acoustique selon ISO 10884 ¹⁾		db (A)	101	—	105	
Proportion de mélange (carburant : huile 2 temps MAKITA)			50 : 1			
Rapport de réduction			13/19			

- 1) Ces données tiennent également compte des modes de fonctionnement au ralenti et à plein régime ou pleins gaz.
 2) Certaines machines à poignée en "U" ne respectent pas la norme CEN.
 Les machines à poignée simple ne respectent pas la norme CEN.
 Les machines à poignée en "J" respectent la norme CEN.
 (L'étiquette CE est apposée sur les machines qui respectent la norme CEN.)

Désignation des pièces



Désignation des pièces		Désignation des pièces		Désignation des pièces	
1	Couteau en métal	8	Câble de commande	15	Filtre à air
2	Dispositif de coupe à fil	9	Bride de fixation	16	Pot d'échappement
3	Réducteur	10	Poignée arrière	17	Sortie du pot d'échappement
4	Arbre d'entraînement	11	Attache du harnais	18	Levier de starter
5	Poignée	12	Protecteur de hanche	19	Bouton de démarreur
6	Manette des gaz	13	Carter du moteur	20	Bouchon du réservoir d'essence
7	Interrupteur d'arrêt	14	de bougie	21	Système de lancement à ressort de rappel
				22	Réservoir
				23	Protection (pour dispositif de coupe à fil)
				24	Protection (pour couteau en métal)
				25	Harnais (pour couteau en métal)

Montage du moteur

ATTENTION : Avant toute intervention sur la débroussailleuse, toujours arrêter le moteur et débrancher les connecteurs des bougies. Faire attention aux pièces chaudes du moteur et à la lame du couteau. Toujours porter des gants protecteurs.

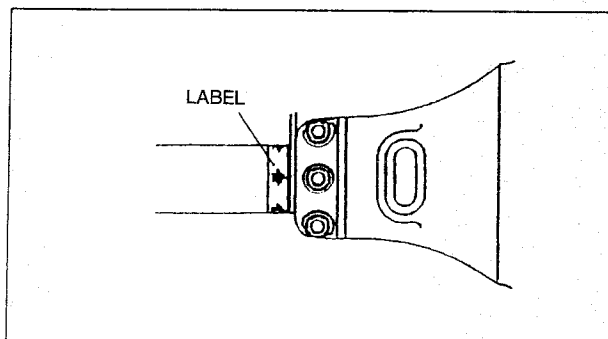
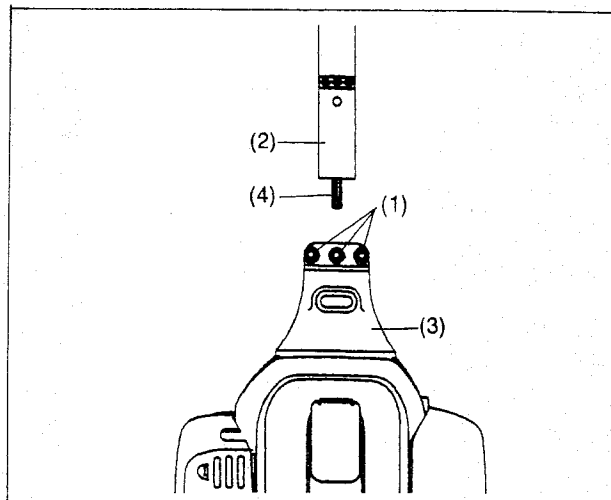


ATTENTION : Ne mettre la débroussailleuse ou le taille-bordures en marche qu'après les avoir complètement montées.

1. Desserrer les vis (1) et engager l'arbre d'entraînement dans le carter.

(Remarque) Engager l'arbre d'entraînement (2) à fond dans le carter (3). Si l'arbre intérieur (4) interdit l'engagement complet de l'arbre d'entraînement, tenter un nouvel engagement après avoir tourné légèrement l'arbre d'entraînement ou la rondelle d'appui du carter d'engrenage de façon que l'arbre intérieur puisse pénétrer dans le trou du carter.

2. Après s'être assuré que l'arbre d'entraînement est complètement et correctement engagé, serrer les vis (1) de manière à maintenir l'arbre d'entraînement.

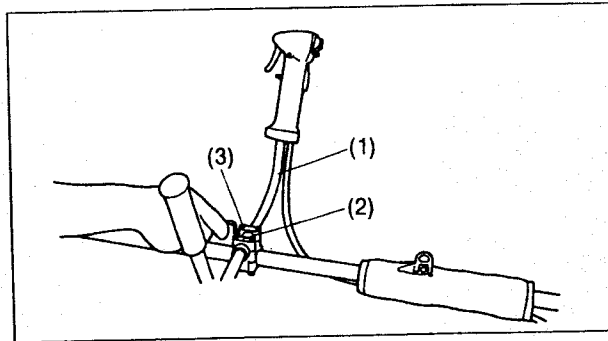


Montage de la poignée



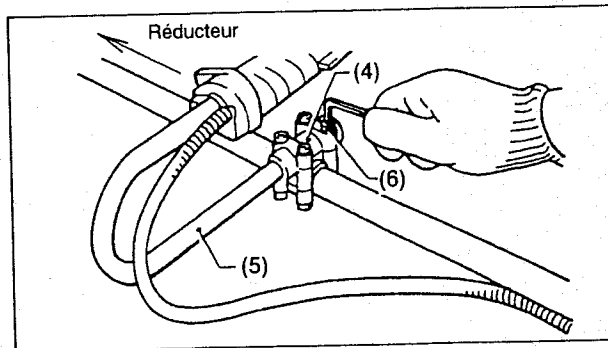
Machines à poignée en "U"

- Ajuster la poignée (1) sur la position voulue et fixer la bride de fixation (2) en serrant les quatre boulons à douille M5 (3) de façon uniforme.
- Faire passer le câble de commande dans la bride de fixation.

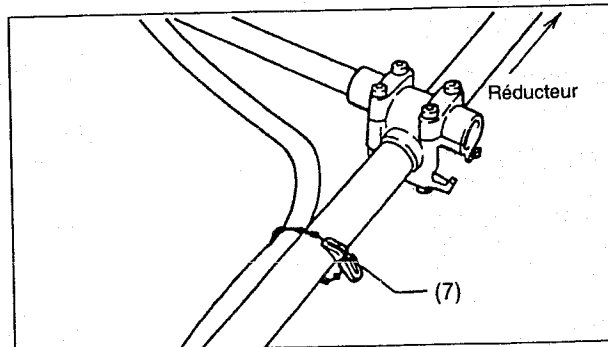


Machines à poignée en "J"

- Amener les saillies de la bride de fixation (6) en regard des trous situés sur le dessous de la poignée (5). Serrer les quatre boulons à douille M5 (4) de façon uniforme pour fixer la poignée.

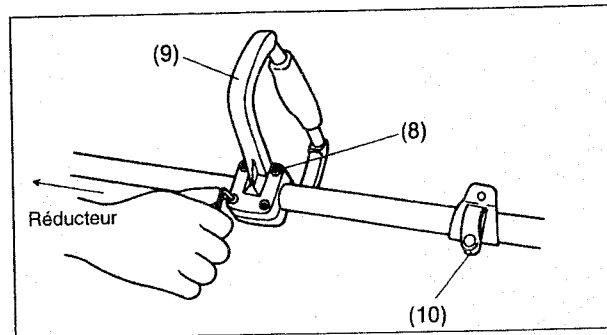


- Pour faciliter le fonctionnement, fixer le câble de commande avec l'attache (7) comme indiqué sur le schéma.



Machines à poignée simple

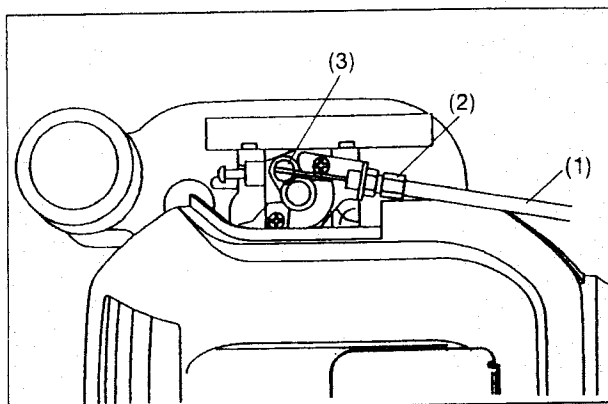
- Fixer la poignée simple (9) en serrant les quatre boulons à douille (8).
- La position standard de la poignée est de 200 à 250 mm de l'attache du harnais (10). Disposer la poignée en fonction de la position de l'opérateur et des conditions de travail.



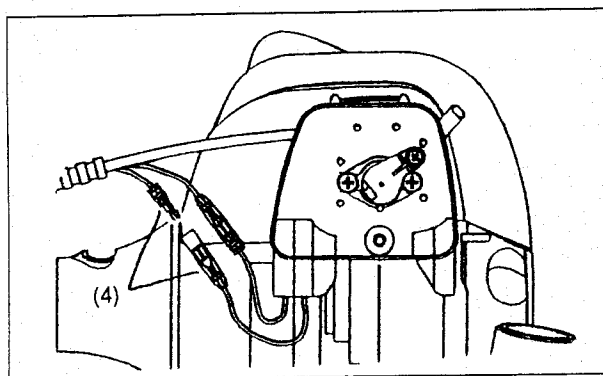
Raccordement du câble de commande et du câble d'allumage



- Retirer le couvercle du filtre à air du carburateur.
- Faire passer le câble de commande (1) à travers le tendeur (2) et engager l'embout du câble de commande dans le pivot (3) sur le carburateur.
- Régler le tendeur pour reprendre le jeu du câble de façon que le papillon des gaz soit entièrement ouvert lorsque la manette des gaz se trouve en position de grande vitesse et qu'il y ait un jeu de 2 à 3 mm en position de petite vitesse.

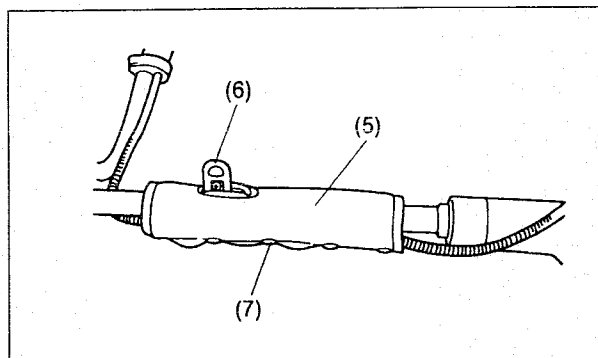


- Accoupler les raccords à bille femelle et mâle (4) de l'ensemble de commande des gaz aux raccords à bille mâle et femelle provenant du moteur.
- Remettre le couvercle du filtre à air en place.



Machines à poignée en "U" ou en "J"

- Mettre le protecteur de hanche (5) sur le câble de commande (faire passer l'attache du harnais (6) dans la fente du protecteur de hanche).
- Placer le câble de commande dans le protecteur de hanche et encliqueter le protecteur de hanche (fixations à déclic, 7).



Montage du protecteur

Afin de se conformer aux dispositions de sécurité applicables, on ne doit utiliser que les combinaisons d'outil/protecteur indiquées dans le tableau. L'utilisateur et les personnes autour seraient autrement exposés à de graves blessures ou à un danger de mort.

N'utiliser qu'un couteau d'origine MAKITA.

- Le couteau doit être propre, bien aiguisé et ne pas comporter de fêlures ou cassures.
Si le couteau heurte une pierre ou un autre objet dur lors de l'utilisation, arrêter le moteur et vérifier immédiatement la lame.
- Nettoyer, aiguiser ou remplacer le couteau toutes les trois heures d'utilisation.

Modèles RBC280

- Le diamètre extérieur du couteau ne doit pas dépasser 230 mm.
Ne jamais utiliser un couteau dont le diamètre extérieur est supérieur à 230 mm.

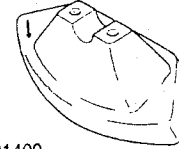
Modèles RBC320

- Le diamètre extérieur du couteau ne doit pas dépasser 255 mm.
Ne jamais utiliser un couteau dont le diamètre extérieur est supérieur à 255 mm.



Modèles RBC280 et RBC320

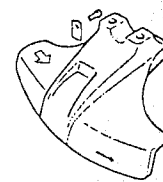
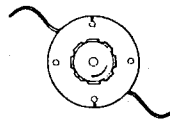
Couteau à 4 dents Protecteur pour couteau métallique



(RBC280) N° DE PIECE 6208501400 N° DE PIECE 6258028002
(RBC320) N° DE PIECE 6308503700

Modèles RBC281 et RBC321

Dispositif de coupe à fil Protection du dispositif de coupe à fil



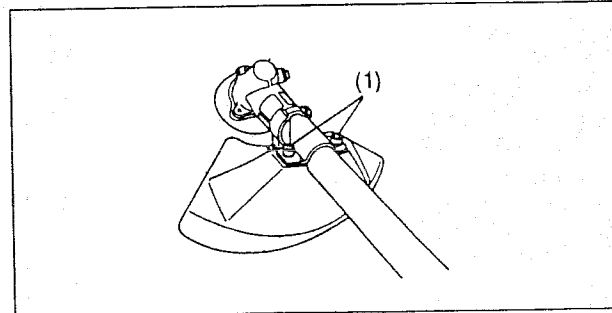
N° DE PIECE 6218014001 N° DE PIECE 6218008002

ATTENTION : Pour la sécurité de l'utilisateur et le respect de la réglementation sur la prévention des accidents, le protecteur approprié doit toujours être en place.
L'utilisation de la machine sans le protecteur n'est pas autorisée.



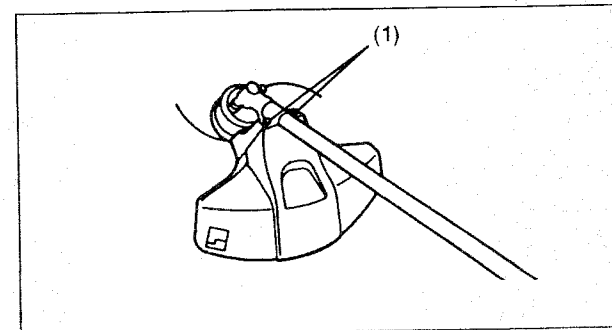
Modèles RBC280 et RBC320

- Installer la bride sur l'arbre d'entraînement de façon que son tenon s'engage dans l'ouverture entre le réducteur et l'arbre d'entraînement.
Fixer le protecteur avec les vis M6 x 30 (1).



Modèles RBC281 et RBC321

- Installer la bride sur l'arbre d'entraînement de façon que son tenon s'engage dans l'ouverture entre le réducteur et l'arbre d'entraînement.
Fixer le protecteur avec les vis M6 x 30 (1).

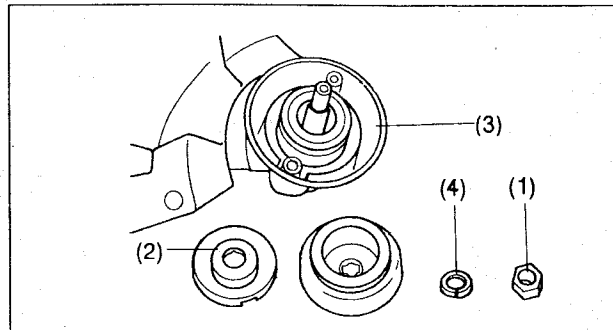


Montage du couteau de coupe

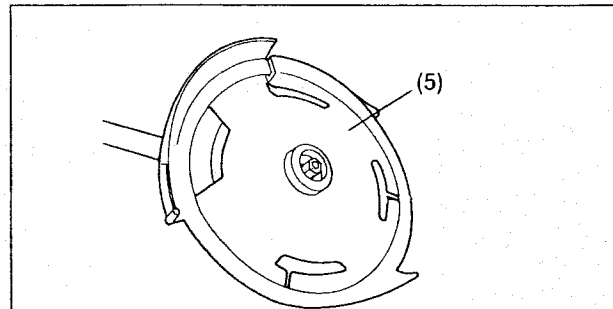
Retourner la machine à l'envers, ce qui permet de remplacer le couteau de coupe ou le dispositif de coupe à fil en toute facilité.

Modèles RBC280 et RBC320

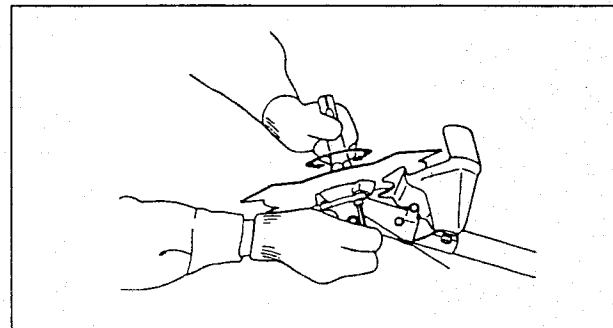
- Retirer l'écrou de l'arbre en tournant l'écrou de serrage (1) dans le sens des aiguilles d'une montre (filetage à gauche).
- Retirer le disque de pression (2).



- Placer le couteau (5) sur le disque d'arrêt (3).
- Installer le disque de pression et la rondelle à ressort (4).
- Serrer l'écrou de fixation à la main.



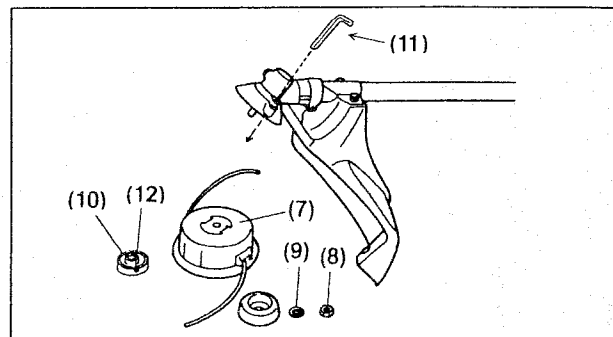
- Insérer la clé à douille dans l'orifice du réducteur et tourner la clé à douille jusqu'à ce que le disque d'arrêt (3) soit verrouillé par son encoche.
- Puis, serrer l'écrou de fixation à fond avec la rondelle à ressort à filetage à gauche et l'écrou de serrage. (Les serrer dans le sens inverse des aiguilles d'une montre.)
[Couple de serrage : 130 – 230 kg-cm]
- Retirer le cache du couteau.
- Pour la dépose, procéder dans l'ordre inverse.
- Pour le montage ou la dépose du couteau, bien porter des gants à des fins de sécurité.



Montage du dispositif de coupe à fil

Modèles RBC281 et RBC321

- Pour monter le dispositif de coupe à fil (7), retirer l'écrou de fixation (8), la rondelle à ressort (9) et le disque d'arrêt (10).
- Insérer la clé à douille (11) dans l'orifice du réducteur et tourner le disque d'arrêt jusqu'à ce qu'il soit verrouillé avec son encoche (12) (ou que l'arbre soit verrouillé).
- Puis, visser le dispositif de coupe à fil sur l'arbre en le tournant dans le sens inverse des aiguilles d'une montre.
- Retirer la clé à douille.

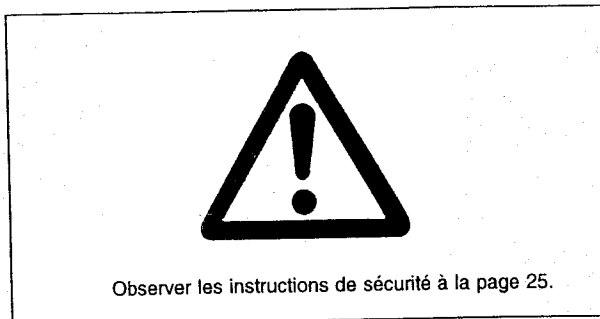


Carburants/Renouvellement du carburant

Manipulation des produits pétroliers

Manipuler le carburant avec les plus grandes précautions. Le carburant peut contenir des substances similaires à des solvants. Renouveler le carburant dans un local bien aéré ou à l'extérieur. Ne pas respirer les vapeurs de carburant et éviter tout contact du carburant ou de l'huile avec la peau.

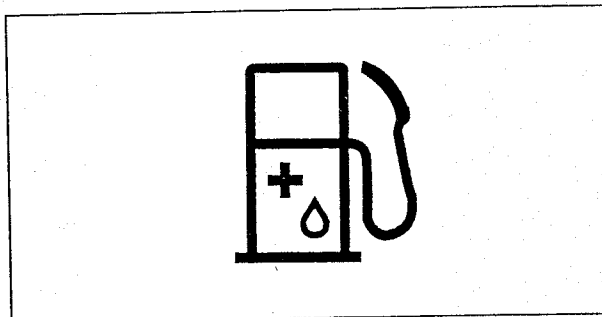
Les huiles minérales dégraissent la peau. Un contact fréquent ou prolongé avec de telles substances peut provoquer de nombreuses maladies de la peau. Des réactions allergiques sont également possibles. Les yeux peuvent être irrités par le contact de l'huile, du carburant, etc. Si de l'huile vient dans les yeux, les rincer immédiatement à l'eau propre. Si l'irritation persiste, s'adresser immédiatement à un médecin.



Mélange d'huile et de carburant

La débroussailleuse ou le taille-bordures sont dotées d'un moteur deux temps à haut rendement. Ce moteur fonctionne avec un mélange de carburant et d'huile moteur deux temps. Le moteur est conçu pour fonctionner avec de l'essence ordinaire sans plomb ayant un indice d'octane minimum de 91 ROZ. Si l'on ne dispose pas d'un tel carburant, on pourra utiliser un carburant ayant un indice d'octane supérieur. Ceci n'affectera pas le moteur, mais il se pourra qu'il fonctionne moins bien. Il en est de même si l'on utilise de l'essence contenant du plomb. Pour obtenir le meilleur fonctionnement du moteur et protéger la santé de l'utilisateur et l'environnement, utiliser exclusivement de l'essence sans plomb.

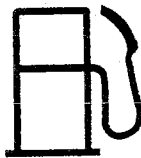
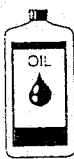
Pour la lubrification du moteur, utiliser de l'huile moteur deux temps (classe : TSC-3) mélangée au carburant. Le moteur est conçu pour fonctionner avec de l'huile moteur deux temps MAKITA mélangée dans une proportion de 20 - 25 : 1. La faible teneur en huile du mélange est destinée à protéger l'environnement. Cette huile assure une longue durée de service et un fonctionnement fiable du moteur avec une pollution minimale par les gaz d'échappement. Il est absolument essentiel d'observer une proportion de mélange de 20 - 25 : 1 (huile moteur deux temps MAKITA). Sinon, la fiabilité de fonctionnement de la débroussailleuse ne pourrait être garantie.



Proportion correcte du mélange :

Mélanger 20 - 25 doses d'essence avec 1 dose d'huile moteur deux temps MAKITA (voir le tableau ci-contre).

NOTE : Pour la préparation du mélange carburant-huile, commencer par mélanger toute l'huile avec la moitié de l'essence requise dans un récipient agréé satisfaisant à toutes les normes locales. Ajouter ensuite le reste de l'essence. Bien agiter le mélange avant de le verser dans le réservoir de la débroussailleuse ou du taille-bordures. Pour la sécurité d'utilisation, il est déconseillé d'ajouter une quantité d'huile moteur supérieure à celle indiquée. Ceci entraînerait un dégagement supérieur de résidus de combustion qui pollueraient l'environnement et engorgeraient le conduit d'échappement du cylindre, les bougies et le pot d'échappement. Il en résulterait également une augmentation de la consommation de carburant et une diminution des performances.

Essence	+	20 - 25:1
		
1 000 cm ³ (1 litre)		40 - 50 cm ³
5 000 cm ³ (5 litres)		200 - 250 cm ³
10 000 cm ³ (10 litres)		400 - 500 cm ³

Renouvellement du carburant

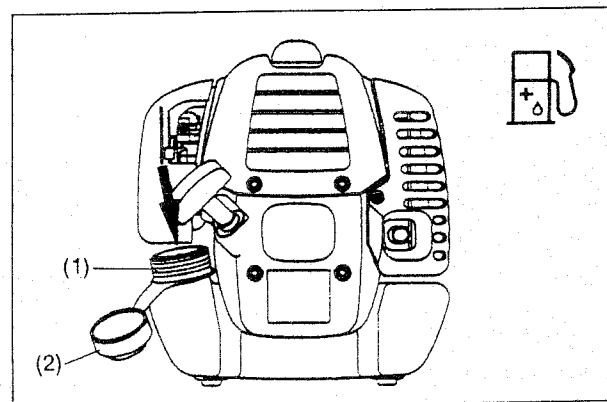
Ne jamais renouveler le carburant dans un endroit clos mal aéré.

Le moteur doit être arrêté.

- Nettoyer complètement la partie autour du bouchon du réservoir pour empêcher la pénétration d'impuretés.
- Dévisser le bouchon et remplir le réservoir avec du carburant.
- Ne jamais remplir le réservoir jusqu'en haut.
- Resserrer complètement le bouchon.
- Après avoir refait le plein, essuyer le bouchon et le réservoir avec un chiffon absorbant. Laisser sécher le chiffon et le jeter dans un récipient approprié.

Stockage du carburant

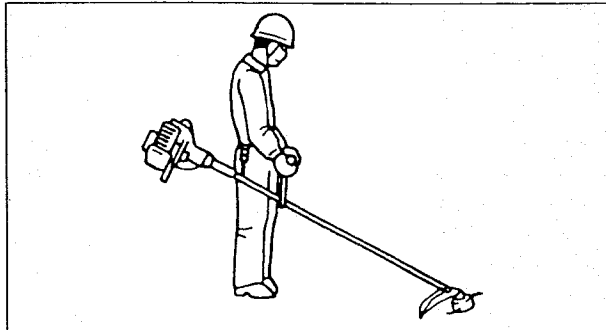
Le carburant ne peut pas être stocké indéfiniment. N'acheter que la quantité de carburant nécessaire pour 4 semaines d'utilisation. Ne stocker le carburant que dans des récipients de stockage agréés.



Maniement correct de la machine

Fixation du harnais

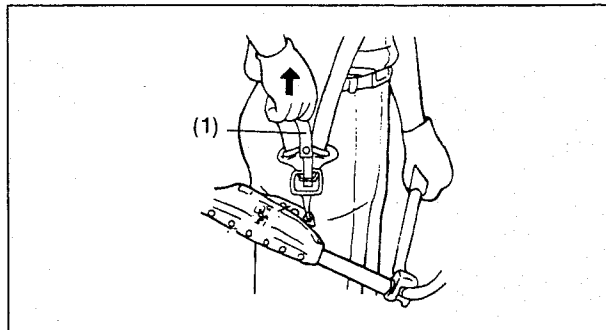
- Régler la longueur du harnais de façon que le couteau soit parallèle au sol.



Détachement du harnais

- En cas de danger, tirer énergiquement la sangle de décrochage (1) vers le haut pour séparer la machine du harnais. Etre alors extrêmement attentif à ne pas perdre le contrôle de la machine. Ne pas laisser la machine dévier vers soi ou vers quelqu'un d'autre à proximité.

AVERTISSEMENT : Une perte même partielle du contrôle de la machine peut entraîner de graves blessures ou la MORT.



Utilisation de la débroussailleuse

Observer la réglementation applicable sur la prévention des accidents.



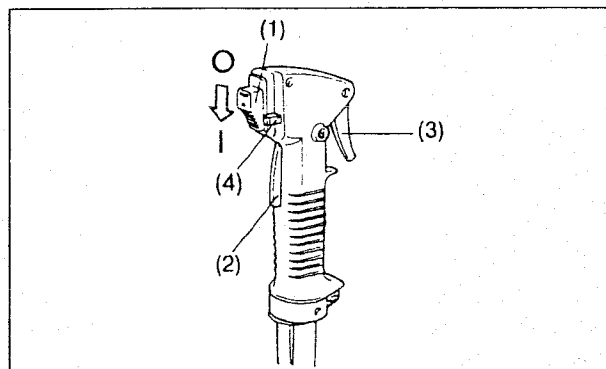
Démarrage

S'éloigner d'au moins 3 mètres de l'endroit où l'on a fait le plein. Placer la débroussailleuse ou le taille-bordures dans un endroit dégagé en veillant à ce que l'outil de coupe ne touche pas le sol ou d'autres objets. S'assurer qu'il n'y a pas de matières combustibles à proximité.

Démarrage à froid

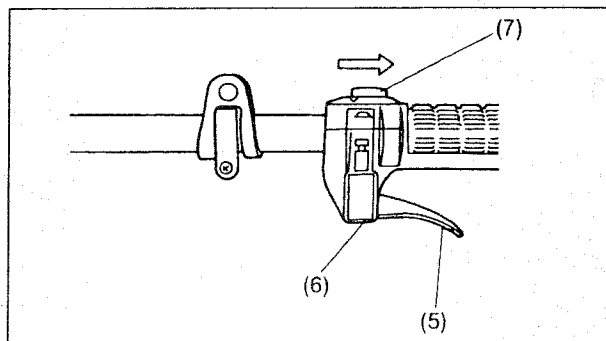
Machines à poignée en "U" ou poignée en "J".

- Pousser l'interrupteur d'arrêt (1) dans le sens de la flèche.
- Saisir la poignée (la pression de la main active la touche de verrouillage (2)).
- Serrer la manette des gaz (3) et la maintenir serrée.
- Appuyer sur la touche de blocage (4) et relâcher la manette des gaz. Relâcher ensuite la touche de blocage (la touche de blocage maintient la manette des gaz en position de démarrage).

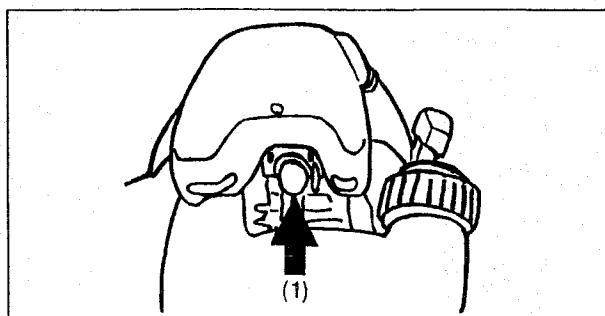


Machines à poignée simple

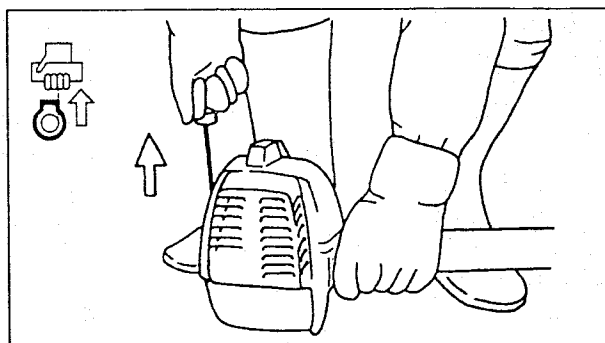
- Pousser l'interrupteur (7) dans le sens de la flèche.
- Appuyer à fond sur la manette des gaz (5).
- Puis, relâcher la manette des gaz tout en appuyant sur la touche de blocage (6).
- La manette des gaz ne sera pas bloquée sur la position de "démarrage".



- Placer tout d'abord la machine sur le sol.
- Appuyer doucement à plusieurs reprises (7 – 10 fois) sur la pompe de carburant (1) jusqu'à ce que le carburant arrive à la pompe.
- Placer le levier de starter (2) sur la position supérieure (|↖|).



- Tenir fermement le carter d'embrayage de la main gauche comme indiqué sur la figure de droite.
- Tirer lentement la poignée de lancement jusqu'à ce qu'une résistance soit ressentie. Continuer alors à tirer d'un coup sec.
- Ne pas tirer complètement le câble de lancement et ne pas laisser la poignée de lancement revenir d'elle-même en arrière. La retenir pour qu'elle se rétracte lentement.
- Répéter l'opération de lancement jusqu'à ce que l'on entende le bruit de l'allumage initial.
- Abaisser le levier de starter (|↕|) et tirer à nouveau la poignée de lancement jusqu'à ce que le moteur parte.
- Dès que le moteur part, serrer la manette des gaz, puis la relâcher. Ceci libère la touche de blocage et permet au moteur de tourner au ralenti.
- Avant de faire tourner le moteur à pleins gaz, le faire fonctionner à régime modéré pendant une minute environ pour lui permettre de s'échauffer.



Précautions pendant l'utilisation :

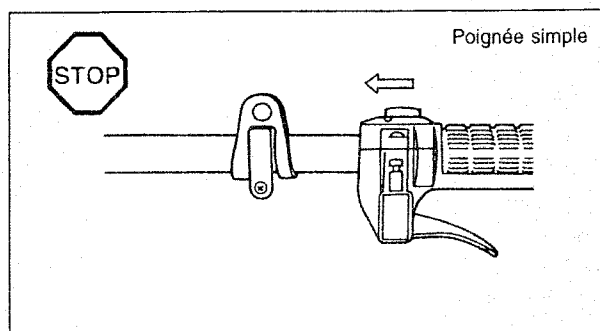
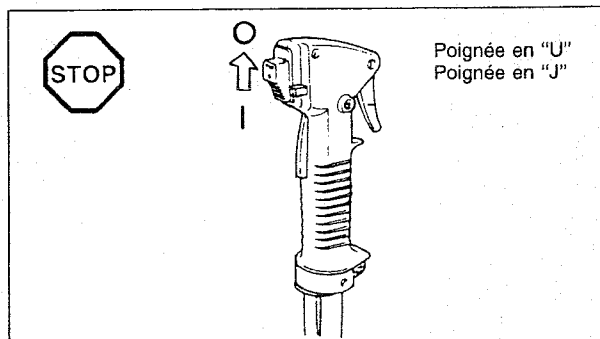
Si l'on ouvre complètement la manette des gaz lors d'un fonctionnement à vide, le régime moteur augmente jusqu'à 10 000 tr/mn ou plus. Ne jamais faire fonctionner le moteur à un régime supérieur à celui requis. Le faire fonctionner à un régime approprié de 6 000 à 8 000 tr/mn.

Démarrage avec un moteur chaud

- Procéder comme il est indiqué ci-dessus, mais sans déplacer le levier de starter (le levier de starter reste sur la position abaissée (|↕|)).

Arrêt du moteur

- Relâcher complètement la manette des gaz et, lorsque le régime moteur diminue, pousser l'interrupteur d'arrêt sur la position "○". Le moteur s'arrête alors.



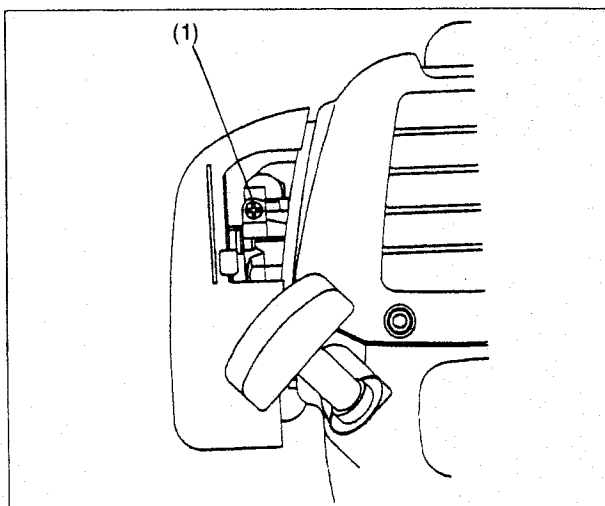
Réglage du ralenti

- Ne jamais essayer de régler le moteur lorsque la machine fonctionne et qu'elle est attachée à l'utilisateur. Toujours effectuer les réglages du moteur avec la machine sur une surface horizontale et dégagée.

Le couteau ou le dispositif de coupe à fil ne doivent pas tourner lorsque la manette des gaz est complètement relâchée. Si nécessaire, régler le régime de ralenti à l'aide de la vis de réglage du ralenti.

Vérification du régime de ralenti

- Le régime de ralenti doit être réglé à 2 600 tr/mn. Si nécessaire, le corriger au moyen de la vis de ralenti (le couteau ne doit pas tourner lorsque le moteur est au ralenti). Lorsqu'on tourne la vis (1) dans le sens des aiguilles d'une montre, le régime moteur augmente. Lorsqu'on la tourne dans le sens inverse des aiguilles d'une montre, le régime moteur diminue.



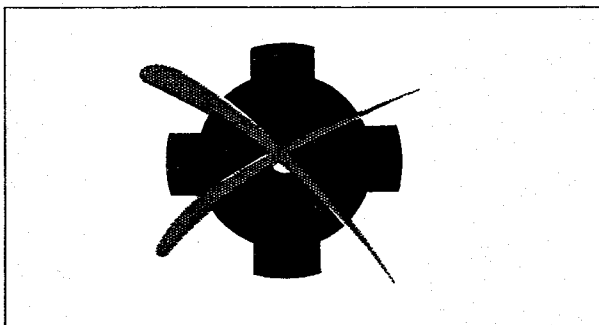
Aiguisage du couteau

ATTENTION : L'aiguisage des couteaux indiqués ci-dessous ne doit être effectué que dans un centre agréé. Un aiguisage manuel déséquilibrerait l'outil de coupe et entraînerait des vibrations et des dommages de la machine pouvant être dangereux.

Couteau à 4 dents

- Les agents de service après-vente agréés peuvent fournir un service d'aiguisage et d'équilibrage spécialisé.

NOTE : Pour augmenter la durée de service du couteau à 4 dents, on peut le retourner une fois à l'envers. On peut l'utiliser jusqu'à ce que les deux arêtes soient émoussées. Ne pas utiliser une lame émoussée. Ceci pourrait entraîner une réaction arrière et de graves blessures.



Dispositif de coupe à fil

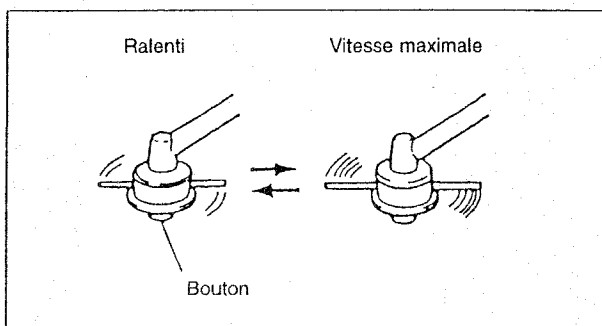
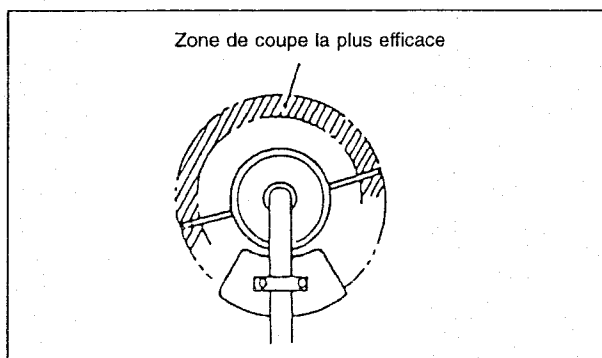
Le dispositif de coupe à fil est une tête de coupe à deux fils capable à la fois de sortir le fil automatiquement et sous l'effet d'un rebond. Le dispositif de coupe à fil sort automatiquement la longueur voulue de fil nylon sous l'effet des variations de la force centrifuge résultant de l'augmentation ou de la réduction de la vitesse. Toutefois, pour couper un gazon doux plus efficacement, heurter le dispositif de coupe à fil sur le sol pour faire sortir une plus grande longueur de fil, comme indiqué dans la section relative au fonctionnement.

Fonctionnement

- Augmenter la vitesse du dispositif de coupe à fil jusqu'à environ 6 000 tr/mn. Une vitesse faible (inférieure à 4 800 tr/mn) ne conviendra pas. A vitesse faible, le fil nylon ne sortira pas bien.
- La surface de coupe la plus efficace est indiquée par la zone ombrée.

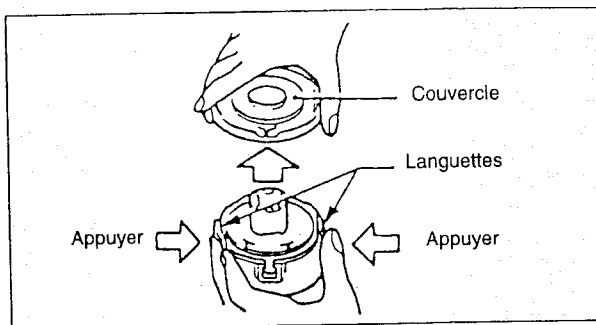
Si le fil nylon ne sort pas automatiquement, procéder comme suit :

1. Relâcher la manette des gaz pour faire tourner le moteur au ralenti, puis serrer la manette à fond. Recommencer ces opérations jusqu'à ce que le fil nylon sorte de la longueur voulue.
2. Si le fil nylon est trop court pour pouvoir sortir automatiquement avec la méthode ci-dessus, heurter le bouton du dispositif de coupe à fil contre le sol pour faire sortir le fil nylon.
3. Si le fil nylon ne sort pas avec la méthode 2, rembobiner/remplacer le fil nylon en procédant comme indiqué à la section "Remplacement du fil nylon".

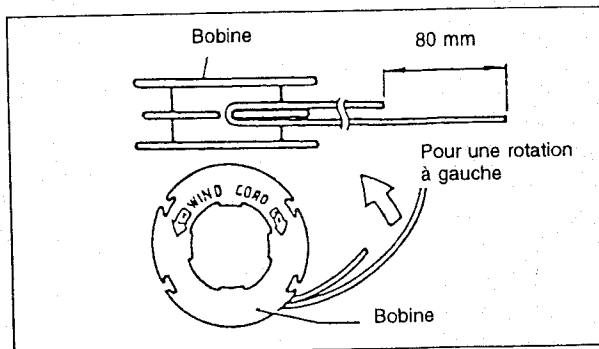


Remplacement du fil nylon

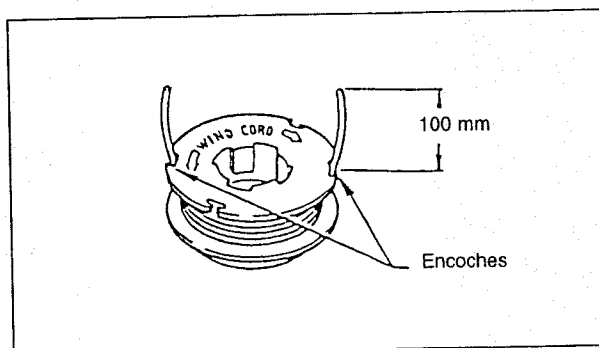
- Tout d'abord, arrêter le moteur.
- Appuyer sur les languettes du boîtier pour soulever le couvercle; puis, retirer la bobine.



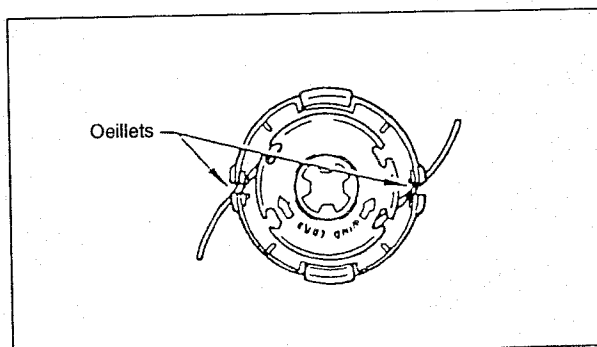
- Accrocher le centre du nouveau fil nylon dans l'encoche au centre de la bobine, l'une des extrémités du cordon dépassant de 80 mm environ de plus que l'autre. Puis, bobiner solidement les deux extrémités autour de la bobine dans le sens de la rotation du dispositif (vers la gauche, comme indiqué par le repère LH, et vers la droite, comme indiqué par le repère RH, sur le côté de la bobine).



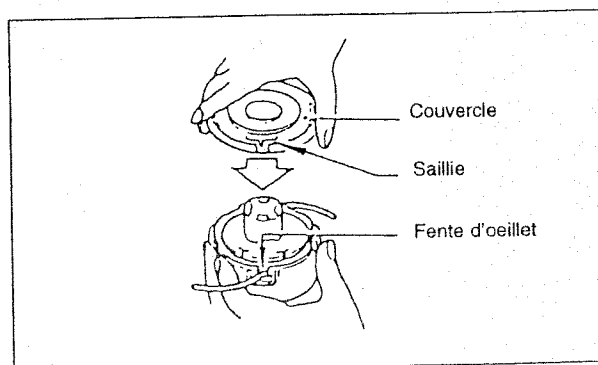
- Bobiner toute la longueur des fils moins 100 mm, en laissant les extrémités provisoirement accrochées dans une encoche sur le côté de la bobine.



- Monter la bobine dans le boîtier de façon que les encoches et les saillies de la bobine correspondent à celles du boîtier. Laisser le côté de la bobine qui porte les lettres visible sur le dessus. Puis, décrocher les extrémités du fil de leur position provisoire et faire passer les fils dans les oeillets de façon qu'ils ressortent dans le boîtier.



- Aligner la saillie située sous le couvercle sur les fentes des oeillets. Puis, enfoncer le couvercle à fond sur le boîtier pour bien le fixer.



Instructions pour l'entretien



ATTENTION : Avant toute intervention sur la débroussailleuse ou le taille-bordures, toujours arrêter le moteur et retirer les capuchons des bougies (voir "Vérification des bougies"). Toujours porter des gants protecteurs.

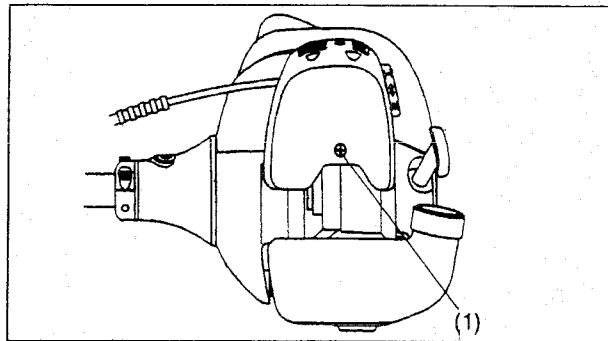
Pour prolonger la durée de service de la machine et la protéger contre les dommages, effectuer régulièrement les opérations d'entretien suivantes :

Vérification et entretien quotidiens

- Avant l'utilisation, vérifier s'il n'y a pas de vis desserrées ou de pièces manquantes. Vérifier avec un soin particulier le serrage du couteau.
- Avant l'utilisation, toujours vérifier si le passage d'air de refroidissement et les ailettes du cylindre ne sont pas bouchés. Les nettoyer si nécessaire.
- Après la dernière utilisation de la journée, effectuer les opérations suivantes :
 - Nettoyer l'extérieur de la débroussailleuse ou le taille-bordures et vérifier s'il n'y a pas de dommages.
 - Nettoyer le filtre à air. Lorsqu'on travaille dans un milieu très poussiéreux, nettoyer le filtre et dégager en soufflant le passage d'air de refroidissement et les ailettes du cylindre plusieurs fois par jour.
 - Vérifier si le couteau n'est pas endommagé ou émoussé et s'assurer qu'il est solidement monté.
 - S'assurer qu'il y a une différence suffisante entre le régime de ralenti et le régime d'engagement de manière que l'outil de coupe soit immobile lorsque le moteur tourne au ralenti (si nécessaire, réduire le régime de ralenti).
Si l'outil continue à tourner lorsque le moteur est au ralenti, ne pas continuer à l'utiliser et s'adresser à l'agent de service après-vente agréé le plus proche.
- Vérifier le fonctionnement de l'interrupteur d'arrêt, de la touche de verrouillage, de la manette des gaz et de la touche de blocage.

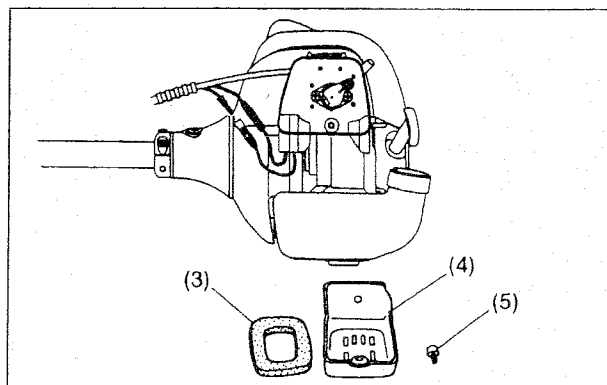
Nettoyage du filtre à air

- Dévisser la vis de montage du couvercle du filtre à air (1).
- Retirer le couvercle du filtre à air.



- Pousser le levier de starter (2) vers le haut (sens de la flèche) pour empêcher la pénétration d'impuretés dans le carburateur.
- Retirer l'élément en mousse (3).
Le laver avec de l'eau tiède, puis le sécher complètement.
- Après le nettoyage du filtre à air, remettre le couvercle de filtre à air (4) en place et resserrer la vis (5).

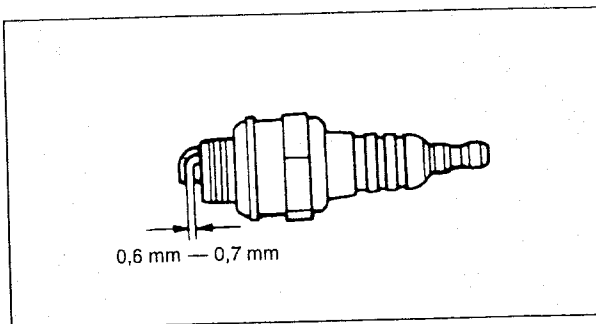
NOTE : Si l'accumulation de poussière ou de saleté dans le filtre à air est excessive, nettoyer celui-ci tous les jours. Un filtre à air colmaté peut rendre difficile ou impossible le démarrage du moteur et l'empêcher de fonctionner à des régimes appropriés.



Vérification des bougies

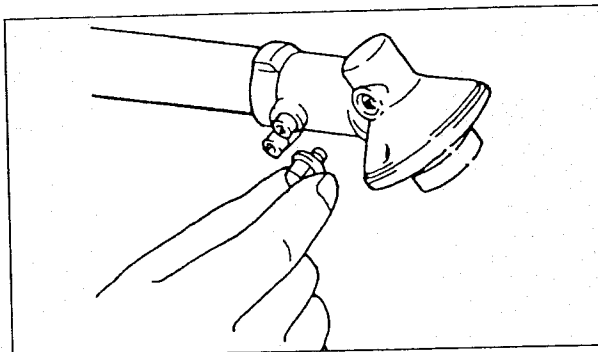
- N'utiliser que la clé à douille fournie pour retirer ou poser la bougie.
- L'écartement des deux électrodes de la bougie doit être compris entre 0,6 et 0,7 mm. Si l'écartement est excessif ou insuffisant, le régler. Si la bougie est calaminée ou encrassée, la nettoyer à fond ou la remplacer.

ATTENTION : Ne jamais toucher le connecteur de bougie lorsque le moteur tourne (risque de décharge électrique haute tension).



Graissage du réducteur

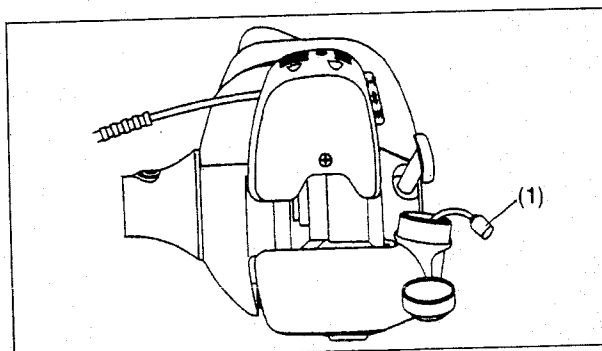
- Mettre de la graisse (Shell Alvania n° 3 ou équivalente) dans le réducteur par l'orifice de graissage toutes les 30 heures d'utilisation. (La graisse d'origine MAKITA est en vente chez les revendeurs MAKITA.)



Tête d'aspiration dans le réservoir

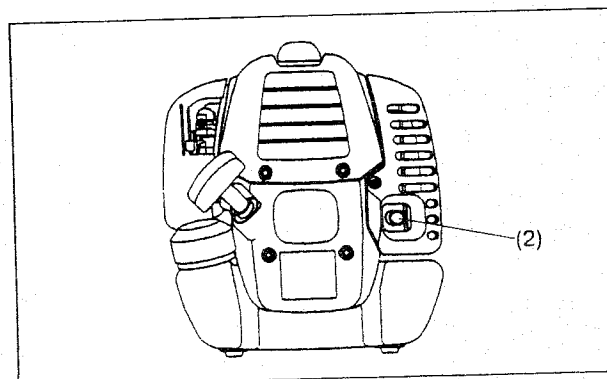
Le filtre en feutre de la canalisation de carburant (1) sur la tête d'aspiration filtre le carburant arrivant au carburateur.

- Le filtre en feutre doit être vérifié périodiquement. Pour ceci, ouvrir le bouchon du réservoir et retirer la tête d'aspiration par l'orifice du réservoir à l'aide d'un crochet en fil de fer. Si le filtre a durci ou s'il est souillé ou colmaté, le remplacer.
- Une arrivée insuffisante de carburant peut entraîner un régime moteur trop élevé ce qui est dangereux. Il est important de remplacer le filtre en feutre au moins une fois tous les trois mois pour assurer une bonne arrivée de carburant au carburateur.



Nettoyage de l'orifice du pot d'échappement

- Vérifier régulièrement l'orifice du pot d'échappement (2).
- S'il est obstrué par des dépôts de calamine, gratter soigneusement ces dépôts avec un outil approprié.



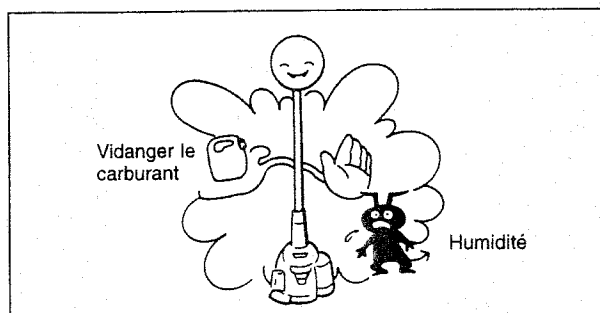
Toutes les opérations d'entretien ou de réglage qui ne sont pas incluses et décrites dans ce manuel doivent être exécutées par un agent de service après-vente agréé.

Programme d'entretien

Généralités	Ensemble du moteur, vis et écrous	Vérifier visuellement s'il n'y a pas de dommages ou desserrage Vérifier l'état général et la sécurité
Après chaque renouvellement de carburant	Manette des gaz Touche de verrouillage Interrupteur d'arrêt	Vérifier le fonctionnement Vérifier le fonctionnement Vérifier le fonctionnement
Chaque jour	Elément en mousse (filtre à air) Conduit d'air de refroidissement Couteau Régime de ralenti	Nettoyer Nettoyer Vérifier s'il est bien aiguisé et s'il n'est pas endommagé Contrôler (l'outil de coupe doit être immobile)
Chaque semaine	Bougie Pot d'échappement	Contrôler, remplacer si nécessaire Vérifier et, si nécessaire, nettoyer l'orifice
Tous les trois mois	Tête d'aspiration (filtre de canalisation de carburant) Réservoir	Remplacer Nettoyer
Procédure d'arrêt d'utilisation	Réservoir Carburateur	Vider le réservoir Faire fonctionner jusqu'à ce qu'il n'y ait plus d'essence dans le moteur

Remisage

- Si la machine doit rester longtemps remisee, vider le carburant du réservoir et du carburateur en procédant comme suit : vider tout le carburant du réservoir. S'en débarrasser d'une manière conforme à la réglementation locale.
- Retirer les bougies et mettre quelques gouttes d'huile dans chaque orifice de bougie. Tirer ensuite doucement la poignée de lancement. S'assurer qu'un film d'huile recouvre l'intérieur du moteur, puis resserrer les bougies.
- Nettoyer la saleté et la poussière du couteau et de l'extérieur du moteur, les essuyer avec un chiffon imbibé d'huile et ranger la machine dans un endroit fermé à clé, sec et bien aéré.
- Ne pas remettre la machine dans un endroit clos où les vapeurs de carburant peuvent atteindre la flamme vive d'un chauffe-eau, d'un four, etc.



Guide de dépannage

Problème	Système	Observations	Causes possibles
Le moteur ne démarre pas ou démarre difficilement	Système d'allumage	Présence d'une étincelle d'allumage	Anomalie du système d'alimentation en carburant ou de compression, défaut mécanique
		Pas d'étincelle d'allumage	Interrupteur d'arrêt en position d'arrêt, câblage défectueux ou court-circuit, bougie ou connecteur défectueux, module d'allumage défectueux
	Alimentation en carburant	Réservoir plein	Position incorrecte du starter, carburateur défectueux, tête d'aspiration (filtre de la canalisation de carburant) sale, canalisation d'alimentation en carburant tordue ou bouchée
	Compression	Intérieur du moteur	Joint d'embase du cylindre défectueux, joints du vilebrequin endommagés, cylindre ou segments de piston défectueux
		Extérieur du moteur	Mauvaise étanchéité de la bougie
Anomalie mécanique	Lanceur ne s'engageant pas	Ressort de lanceur cassé, pièces cassées à l'intérieur du moteur	
Problèmes de démarrage à chaud		Réservoir plein Présence d'une étincelle d'allumage	Position incorrecte du starter Carburateur souillé ; le faire nettoyer
Le moteur démarre mais s'arrête immédiatement	Alimentation en carburant	Réservoir plein	Réglage incorrect du ralenti, tête d'aspiration ou carburateur souillé
			Bouchon du réservoir défectueux, canalisation d'alimentation en carburant bouchée, câble ou interrupteur défectueux
Performances insuffisantes	Plusieurs systèmes peuvent être affectés simultanément	Ralenti du moteur	Filtre à air souillé, carburateur souillé, pot d'échappement bouché, conduit d'échappement dans le cylindre bouché