

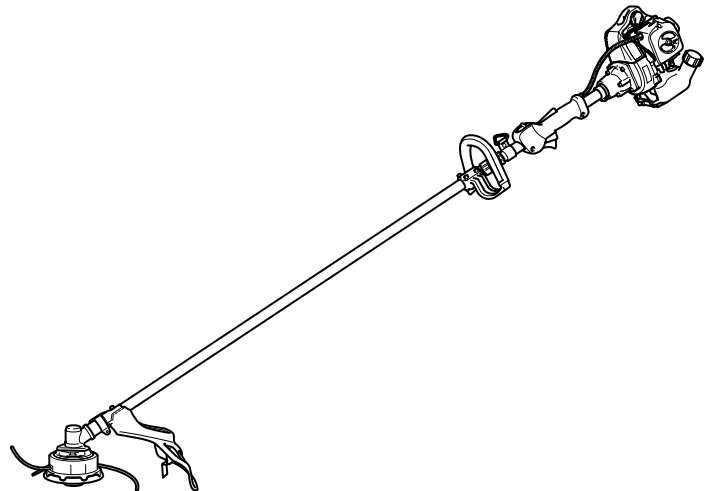
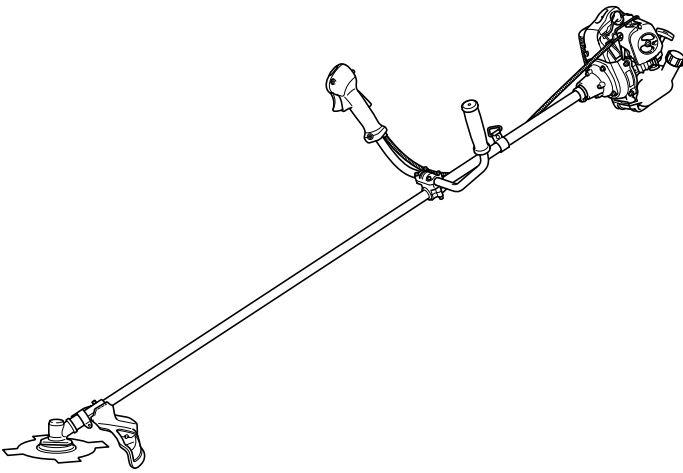
**Instruction Manual**  
**Manuel d'instructions**  
**Manual de instrucciones**

**Brush Cutter**  
**Débroussailleuse**  
**Desbrozadora**

**BCM2600**  
**BCM3300**

**String Trimmer**  
**Taille-bordures**  
**Cortabordes**

**BCM2310 BCM2310CA**  
**BCM2610 BCM2610CA**  
**BCM3310 BCM3310CA**



**Important:**

Read this instruction manual carefully before putting the Brush Cutter / String Trimmer into operation and strictly observe the safety regulation!  
Preserve instruction manual carefully !

**Recommandation importante :**

Lire soigneusement ce manuel d'instructions avant de mettre la débroussailleuse/taille-bordures en service et observer rigoureusement les consignes de sécurité!  
Conserver soigneusement ce manuel d'instructions.

**Importante:**

Leer cuidadosamente este manual de instrucciones antes de poner en marcha la máquina y observar estrictamente las normas de seguridad.  
Conservar este manual de instrucciones con cuidado.

## ENGLISH

Thank you very much for purchasing MAKITA Brush Cutter/String Trimmer. We are pleased to recommend to you the MAKITA Brush Cutter/String Trimmer which is the result of a long development program and many years of knowledge and experience. Please read this booklet which refers in detail to the various points that will demonstrate its outstanding performance. This will assist you to obtain the best possible result from your MAKITA Brush Cutter/String Trimmer.



### Table of contents

|  |    |
|--|----|
| SYMBOLS .....  | 4  |
| SAFETY INSTRUCTIONS .....                            | 5  |
| TECHNICAL DATA .....                                 | 7  |
| MOUNTING OF HANDLE .....                             | 8  |
| MOUNTING OF PROTECTOR .....                          | 8  |
| MOUNTING OF CUTTER BLADE OR NYLON CUTTING HEAD ..... | 9  |
| FUELS/REFUELING .....                                | 10 |
| CORRECT HANDLING OF MACHINE .....                    | 10 |
| POINTS IN OPERATION AND HOW TO STOP .....            | 11 |
| RE-SHARPENING THE CUTTING TOOL .....                 | 11 |
| SERVICING INSTRUCTIONS .....                         | 12 |
| STORAGE .....  | 13 |

### – CALIFORNIA ONLY –

**MAKITA U.S.A. Inc. (Makita) and the California Air Resources Board emission control system's warranty statements (owner's defect warranty rights and obligations)**

In the interest of the environment, Makita engines that meet strict emission requirements are labeled. "This small off-road engine conforms to 2000 and later California Emission Control Regulations".

### CALIFORNIA EMISSION CONTROL WARRANTY STATEMENT YOUR WARRANTY RIGHTS AND OBLIGATIONS

The California Air Resources Board and Makita are pleased to explain the emission control system warranty on your small off-road engine. In California, new small off-road engine must be designed, built and equipped to meet the state's stringent anti-smog standards. Makita must warrant the emission control system on your engine for the periods of time listed below provided there has been no abuse, neglect or improper maintenance of your small off-road engine.

Your emission control system includes parts such as the carburetor, air cleaner, ignition system, fuel tank, muffler and catalytic converter. Also included may be connectors and other emission related assemblies.

Where a warrantable condition exists, Makita will repair your small off-road engine at no cost to you including diagnosis, parts and labor.

### MAKITA U.S.A. Inc. Warranty Coverage

The emission control system is warranted for two years. If any covered part on your engine is defective, the part will be repaired or replaced by Makita.

### Owner's Warranty Responsibilities

As the small off-road engine owner, you are responsible for performance of the required maintenance listed in your Owner's Manual.

Makita recommends that you retain all receipts covering maintenance on your small off-road engine, but Makita cannot deny warranty solely for the lack of receipts or for your failure to ensure the performance of all scheduled maintenance.

As the small off-road engine owner, you should however be aware that Makita may deny you warranty coverage if your small off-road engine or a part has failed due to abuse, neglect or improper maintenance or unproved modifications.

You are responsible for presenting your small off-road engine to an authorized service dealer or equipment manufacturer to whom Makita would sell engines as soon as the problem exists. The warranty repairs should be completed in a reasonable amount of time, not to exceed 30 days. If you have a question regarding your warranty coverage, you should contact :

\* For the nearest Makita service center, please visit [www.makitatools.com](http://www.makitatools.com)

\* For technical support or questions regarding operation of our tools and accessories call: 1-800-4-MAKITA

\* Makita USA Inc. Corporate Office : 14930 Northam St. La Mirada, CA 90638-5753

### MAKITA U.S.A. Inc. Emission Control Defects Warranty Provisions

The following are specific provisions relative to your Emission Control Defects Warranty Coverage. It is in addition to the Makita engine warranty for non-regulated engines found in the Owner's Manual.

#### 1. Warranted Parts

Coverage under this warranty extends only to the parts listed below (the emission control systems parts) to the extent these parts were present on the engine purchased.

- Fuel Metering Systems
- Carburetor And Internal Parts
- Cold Start Enrichment System (Soft Choke)
- Fuel Filter (up until the first scheduled change)
- Fuel Inlet Hose
- Fuel Outlet Hose
- Air Induction System
- Air Filter (Element)
- Ignition System
- Spark Plug(s)
- Magneto Ignition System
- Fuel Tank
- Catalyst Or Thermal Reactor System
- Catalytic Converter

#### 2. Length of Coverage

Makita warrants to the initial owner and each subsequent purchaser that the warranted parts shall be free from defects in materials and workmanship which cause the failure of the warranted part(s) for a period of two years from the date the engine is delivered to a retail purchaser.

#### 3. No Charge

Repair or replacement of any warranted part will be performed at no charge to the owner, including diagnostic labor which leads to the determination that a warranted part is defective, if the diagnostic work is performed at an authorized service dealer of equipment manufacturer to whom Makita would sell engines.

#### 4. Claims and Coverage Exclusions

Warranty claims shall be filled in accordance with the provisions of the Makita engine warranty policy. Warranty coverage shall be excluded for failures of warranted parts which are not original Makita parts or because of abuse, neglect or improper maintenance as set forth in the Makita engine warranty policy. Makita is not liable to cover failures or warranted parts caused by the use of add-on, non-original, or modified parts.

## 5. Maintenance

Any warranted part which is not scheduled for replacement as required maintenance or which is scheduled only for regular inspection to the effect of "repair or replace as necessary" shall be warranted as to defects for the warranty period. Any warranted part which is scheduled for replacement as required maintenance shall be warranted as to defects only for the period of time up to the first scheduled replacement for that part. Any replacement part that is equivalent in performance and durability may be used in the performance of any maintenance or repairs. The owner is responsible for the performance of all required maintenance, as defined in the Makita owner's manual.

## 6. Consequential Coverage

Coverage hereunder shall extend to the failure of any engine components caused by the failure of any warranted part still under warranty.

## EMISSIONS COMPONENT DEFECT WARRANTY COVERAGE

MAKITA U.S.A. Inc. (MAKITA) warrant to the initial retail purchaser and each subsequent owner, that this utility equipment was designed, built, and equipped to conform at the time of initial sale to all applicable regulations of the U.S. Environmental Protection Agency (EPA), and that the engine is free of defects in materials and workmanship which would cause this engine to fail to conform with EPA regulations during its warranty period.

For the components listed under PARTS COVERED, the service dealer authorized by MAKITA will, at no cost to you, make the necessary diagnosis, repair, or replacement necessary to ensure that the engine complies with applicable U.S. EPA regulations.

## EMISSION COMPONENT DEFECT WARRANTY PERIOD

The warranty period for this engine begins on the date of sale to the initial purchaser and continues for a period of 2 years.

## PARTS COVERED

Listed below are the parts covered by the Emission Components Defect Warranty. Some of the parts listed below may require scheduled maintenance and are warranted up to the first scheduled replacement point for that part.

- (1) Fuel Metering System
  - (i) Carburetor and internal parts
  - (ii) Fuel filter, if applicable.
  - (iii) Throttle stopper, if applicable.
  - (iv) Choke System, if applicable.
- (2) Air Induction System
  - (i) Air cleaner plate
  - (ii) Air cleaner case
- (3) Ignition System
  - (i) Spark plugs.
  - (ii) Flywheel Magneto
  - (iii) Ignition Coil.
- (4) Miscellaneous Items Used in Above Systems
  - (i) Fuel hoses, clamps and sealing gaskets

## OBTAINING WARRANTY SERVICE

To obtain warranty service, take your engine to the nearest MAKITA Factory Service Center or service Center authorized by MAKITA. Bring your sales receipts indicating date of purchase for this engine. The dealer of service authorized by MAKITA will perform the necessary repairs or adjustments within a reasonable amount of time and furnish you with a copy of the repair order. All parts and accessories replaced under this warranty become the property of MAKITA.

## WHAT IS NOT COVERED

- Conditions resulting from tampering, misuse, improper adjustment (unless they were made by the service dealer authorized by MAKITA during a warranty repair), alteration, accident, failure to use the recommended fuel and oil, or not performing required maintenance services.
  - The replacement parts used for required maintenance services.
  - Consequential damages such as loss of time, inconvenience, loss of use of the engine or equipment, etc.
  - Diagnosis and inspection charges that do not result in warranty-eligible service being performed.
  - Any non-authorized replacement part, or malfunction of authorized parts due to use of non-authorized parts.

## OWNER'S WARRANTY RESPONSIBILITIES

As the engine owner, you are responsible for the performance of the required maintenance listed in your owner's manual. MAKITA recommends that you retain all receipts covering maintenance on your engine, but MAKITA cannot deny warranty solely for the lack of receipts or for your failure to ensure the performance of all scheduled maintenance. As the engine owner, you should however be aware that MAKITA may deny warranty coverage if your engine or a part has failed due to abuse, neglect, improper maintenance or unapproved modifications.

You are responsible for presenting your engine to the nearest service dealer authorized by MAKITA when a problem exists.

If you have any questions regarding your warranty rights and responsibilities, you should contact the followings :

\* For the nearest Makita service center, please visit [www.makitatools.com](http://www.makitatools.com)

\* For technical support or questions regarding operation of our tools and accessories call: 1-800-4-MAKITA

\* Makita USA Inc. Corporate Office : 14930 Northam St. La Mirada, CA 90638-5753

(For Canada)

\* For the authorized service centre nearest you please refer to the local yellow pages directory under "tools", or contact our customer service department Tel 1-800-263-3734 (Canada only), or visit our web site [www.makita.ca](http://www.makita.ca)

\* Makita Canada Inc. Head Office & Plant : 1950 Forbes Street, Whitby, ON L1N 7B7

## THINGS YOU SHOULD KNOW ABOUT THE EMISSION CONTROL SYSTEM WARRANTY:

### MAINTENANCE AND REPAIRS

You are responsible for the proper maintenance of the engine. You should keep all receipts and maintenance records covering the performance of regular maintenance in the event questions arise.

These receipts and maintenance records should be transferred to each subsequent owner of the engine. MAKITA reserves the right to deny warranty coverage if the engine has not been properly maintained. Warranty claims will not be denied, however, solely because of the lack of required maintenance or failure to keep maintenance records.

MAINTENANCE, REPLACEMENT OR REPAIR OF EMISSION CONTROL DEVICES AND SYSTEMS MAY BE PERFORMED BY ANY REPAIR ESTABLISHMENT OR INDIVIDUAL; HOWEVER, WARRANTY REPAIRS MUST BE PERFORMED BY A SERVICE DEALER AUTHORIZED BY MAKITA. THE USE OF PARTS THAT ARE NOT EQUIVALENT IN PERFORMANCE AND DURABILITY TO AUTHORIZED PARTS MAY IMPAIR THE EFFECTIVENESS OF THE EMISSION CONTROL SYSTEM AND MAY HAVE A BEARING ON THE OUTCOME OF A WARRANTY CLAIM.

If other than the parts authorized by MAKITA are used for maintenance replacements or for the repair of components affecting emission control, you should assure yourself that such parts are warranted by their manufacturer to be equivalent to the parts authorized by MAKITA in their performance and durability.

## HOW TO MAKE A CLAIM

All repair qualifying under this limited warranty must be performed by a service dealer authorized by MAKITA. In the event that any emission-related part is found to be defective during the warranty period, you shall notify MAKITA at the following contacts and you will be advised of the appropriate warranty service dealer or service providers where the warranty repair can be performed.

\* For the nearest Makita service center , please visit [www.makitatools.com](http://www.makitatools.com)

\* For technical support or questions regarding operation of our tools and accessories call: 1-800-4-MAKITA

\* Makita USA Inc. Corporate Office : 14930 Northam St. La Mirada, CA 90638-5753






















(For Canada)

\* For the authorized service centre nearest you please refer to the local yellow pages directory under "tools", or contact our customer service department Tel 1-800-263-3734 (Canada only), or visit our web site [www.makita.ca](http://www.makita.ca)

\* Makita Canada Inc. Head Office & Plant : 1950 Forbes Street, Whitby, ON L1N 7B7

## Symbols

You will note the following symbols when reading the instruction manual.

|   |   |   |  |
|---|---|---|--|
|    | Read instruction Manual   |    | Wear eye and ear protection (for String trimmer only)                  |
|    | Take Particular care and Attention  |    | Wear protective helmet, eye and ear protection (for Brush Cutter only) |
|    | Forbidden   |    | Do not use metal blades (for String trimmer only)                      |
|     | Keep distance   |    | Top permissible tool speed   |
|    | Flying object hazard  |    | Fuel and oil mixture   |
|    | No smoking  |    | Engine-Manual start  |
|   | No open flame   |   | Emergency stop   |
|  | Protective gloves must be worn  |  | First Aid  |
|  | Kickback  |  | Recycling  |
|  | Keep the area of operation clear of all persons and pets                      |  | ON/START   |
|  | Wear sturdy boots with nonslip soles. Steeltoed safety boots are recommended. |  | OFF/STOP   |

## SAFETY INSTRUCTIONS

### General Instructions

- To ensure correct operation, user has to read this instruction manual to make himself familiar with the handling of the Brush Cutter/String Trimmer. Users insufficiently informed will risk danger to themselves as well as others due to improper handling.
- It is recommended only to lend the Brush Cutter/String Trimmer to people who have proven to be experienced with Brush Cutter/String Trimmer. Always hand over the instruction manual.
- First users should ask the dealer for basic instructions to familiarize oneself with the handling of an engine powered cutter.
- Children and young persons aged under 18 years must not be allowed to operate the Brush Cutter/String Trimmer. Persons over the age of 16 years may however use the device for the purpose of being trained only whilst under supervision of a qualified trainer.
- Use Brush Cutter/String Trimmer with the utmost care and attention.
- Operate the Brush Cutter/String Trimmers only if you are in good physical condition. Perform all work calmly and carefully. The user has to accept liability for others.
- Never use the Brush Cutter/String Trimmer after consumption of alcohol or drugs, or if feeling tired or ill.

### Intended use of the machine

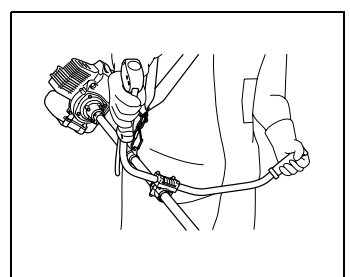
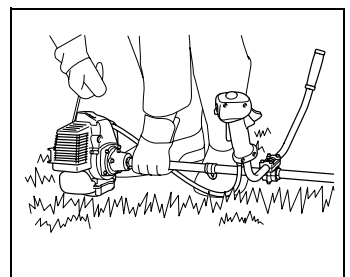
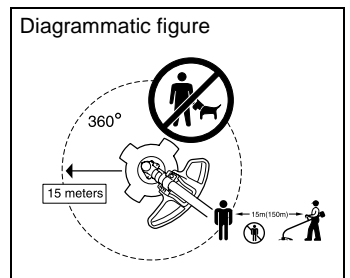
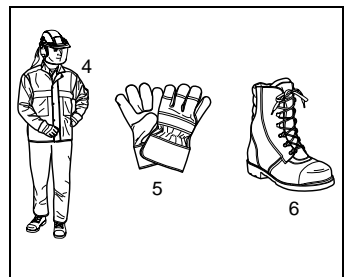
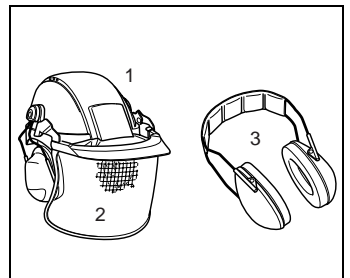
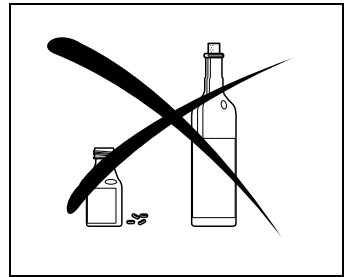
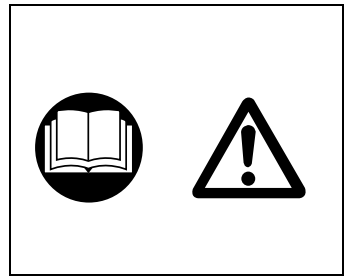
The Brush Cutter/String Trimmer is only intended for cutting grass, weeds, bushes, undergrowth. It should not be used for any other purpose such as edging or hedge cutting as this may cause injury.

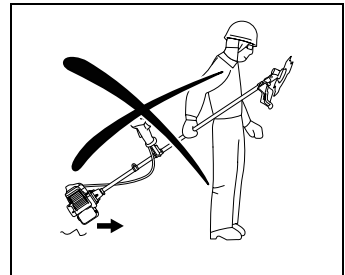
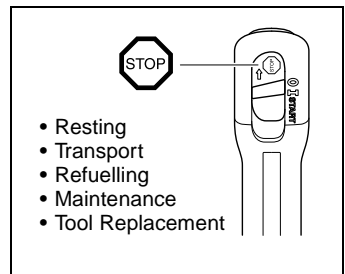
### Personal protective equipment

- The clothing worn should be functional and appropriate, i.e. it should be tight-fitting but not cause hindrance. Do not wear either jewelry or clothing which could become entangled with bushes or shrubs.
- In order to avoid either head-, eye-, hand- or foot injuries as well as to protect your hearing, the following protective equipment and protective clothing must be used during operation of the Brush Cutter/String Trimmer.
- Always wear a helmet where there is a risk of falling objects. The protective helmet (1) is to be checked at regular intervals for damage and is to be replaced at the latest after 5 years. Use only approved protective helmets.
- The visor (2) of the helmet ( or goggles ) protects the face from flying debris and stones. During operation of the Brush Cutter/String Trimmer, always wear goggles, or a visor to protect eye injuries.
- Wear adequate noise protection equipment to avoid hearing impairment ( ear muffs (3), ear plugs etc. ).
- The work overalls (4) protect against flying stones and debris. Wearing work overalls is strongly recommended.
- Always wear special gloves (5) made of thick leather during operation of the Brush cutter/String Trimmer.
- When using the Brush Cutter/String Trimmer, always wear sturdy shoes (6) with a non-slip sole to protect against injuries and ensure a good footing.

### Starting the brush cutter

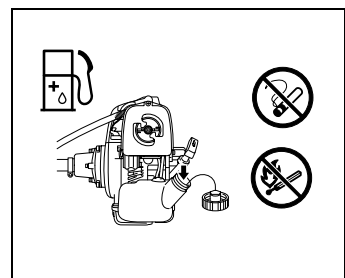
- Make sure that there are no children or other people within a working range of 15 meters ( 50ft ), also pay attention to any animals in the working vicinity.
- Before use, always check that the Brush cutter/String Trimmer is safe for operation. Check the security of the cutting tool, the control lever for easy action and check for proper functioning of the control lever lock.
- Rotation of the cutting tool during idling the engine is not allowed. Check with your dealer for adjustment. Check for clean and dry handles and test the function of the start/stop switch.
- Start the Brush Cutter/String trimmer only in accordance with the instructions mentioned in this manual. Do not use any other methods for starting the engine.
- Use the Brush Cutter/String Trimmer and the tools only for such applications as specified.
- Only start the Brush Cutter/String Trimmer engine after the entire assembly is done. Operation of the machine is only permitted after all the appropriate accessories are attached.
- Before starting, make sure that the cutting tool has no contact with hard objects such as branches, stones etc. as the cutting tool will rotate when starting.
- The engine is to be switched off immediately in case of any engine problems.
- Should the cutting tool hit stones or other hard objects, immediately stop the engine and inspect the cutting tool.
- Inspect the cutting tool at short regular intervals for damage ( Detect hairline cracks by means of tapping-noise test ).
- Operate the Brush Cutter/String Trimmer only with the shoulder strap provided. It should be suitably adjusted before using the Brush Cutter/String Trimmer. Adjust the shoulder strap according to the user's size to prevent fatigue during operation. Never hold the Brush Cutter/String Trimmer with one hand during use.
- During operation always hold the Brush Cutter/String Trimmer with both hands. Always ensure a safe footing.
- Operate the Brush Cutter/String Trimmer in such a manner as to avoid inhalation of the exhaust gases. Never run the engine in enclosed rooms ( risk of gas poisoning ). Carbon monoxide is an odorless gas.
- Switch off the engine while not in use of the Brush Cutter/String Trimmer, and place it in a safe location to prevent danger to others or damage to the machine.
- Never put the hot Brush Cutter/String Trimmer on dry grass or on any combustible materials.
- The Brush Cutter/String Trimmer has to be always equipped with an appropriate guard.
- All protective installations and guards provided with the Brush Cutter/String Trimmer must be used during operation.
- Never run the engine with faulty exhaust muffler.
- Stop the engine during transport.
- During transport for long distances, the tool-protection must always be used.
- Make sure a safe position of the Brush Cutter/String Trimmer during car transportation to avoid fuel leakage.
- In transporting the Brush Cutter/String Trimmer, make sure that the fuel tank is completely empty.
- When unloading the Brush Cutter/String Trimmer from the truck, never drop the engine on the ground, which may severely damage the fuel tank.
- Always lift the entire unit of the machine from the ground when moving the machine. Dragging the fuel tank is highly dangerous and may cause damage of the tank and leakage of fuel, possibly causing fire.





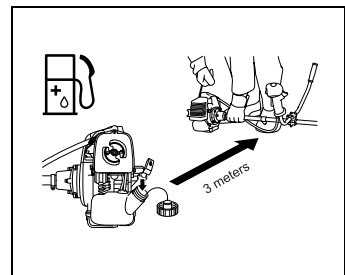
### Refueling

- Always stop the engine during refueling, keep away from open flames and do not smoke.
- Always wear protective gloves during refueling. Change and clean protective clothing at regular intervals.
- Be careful not to spill either fuel or oil for environmental protection. Clean the Brush Cutter/String Trimmer immediately if fuel is split.
- Avoid any fuel contact with your clothing. Change your clothing immediately if fuel is split on it to prevent clothing catching fire.
- Inspect the fuel cap regularly to make sure that it is securely fastened and does not leak.
- Always tighten the fuel tank cap securely. Change the location to start the engine (at least 3 meter away from the place of refueling).
- Never refuel in closed rooms. Fuel vapors accumulate, which may cause explosions.
- Only transport and store fuel in approved containers. Make sure the fuel stored is not accessible to children.



### Method of operation

- Only use the Brush Cutter/String Trimmer in good light and visibility. During the winter season, always be aware of slippery or wet area, ice and snow. Ensure a safe footing.
- Never cut above waist height.
- Never operate the Brush Cutter/String Trimmer standing on a ladder.
- Never use the Brush Cutter/String Trimmer climbing up into trees.
- Never work on unstable surfaces.
- Remove sand, stones, nails etc. within the working range. Foreign materials may damage the cutting tool and cause dangerous kick-back.
- The cutting tool must have reached full working speed before contact with the grass.



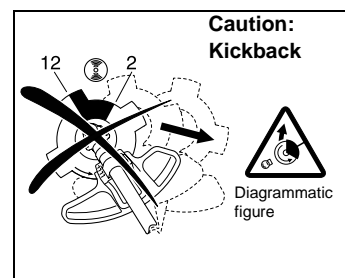
### Kickback

- When operating the brush cutter, uncontrollable kickback may occur.
- This is particularly the case when attempting to cut within a blade segment between 12 and 2 o'clock.
- Never use the brush cutter within a segment between 12 and 2 o'clock.
- Never apply the blade of brush cutter to solids, such as bushes and trees, etc., having a diameter in excess of 3 cm or the brush cutter will be deflected at great force with the risk of injuries.

### Kickback prevention

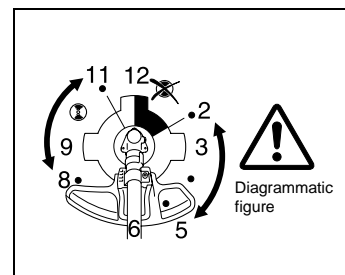
#### To avoid kickback, ensure the following :

- Operation within a blade segment between 12 and 2 o'clock presents positive hazards, especially in using metal cutting tools.
- Cutting operations within a blade segment between 11 and 12 o'clock, and between 2 and 5 o'clock, must only be performed by trained and experienced operators, and then only at their own risk.
- Easy cutting with almost no kickback is possible within a blade segment between 8 and 11 o'clock.



### Cutting Tools

Use only the correct cutting tool.



## Maintenance instructions

- The condition of the Brush Cutter/String Trimmer must be checked before operation, in particular of the cutting tool, the protective devices and also the shoulder strap. Special attention must be paid to the cutting blade which must be correctly sharpened.
- Stop the engine and remove spark plug connector when replacing or sharpening cutting tools, and also when cleaning the machine or cutting tool.
- Operate the Brush Cutter/String Trimmer with as little noise and contamination as possible. In particular check the correct setting of carburetor.
- Clean the Brush Cutter/String Trimmer regularly and ensure that all screws and nuts are well tightened.
- Never service or store the Brush Cutter/String Trimmer in the vicinity of naked flames.
- Always store the Brush Cutter /String Trimmer in locked rooms and with a emptied fuel tank.
- Do not perform any modifications on the Brush Cutter/String Trimmer as this will endanger your safety.
- The performance of maintenance or repair work by the user is limited to those activities as described in this instruction manual. All other works are to be done by an Authorized Service Agent. Use only genuine spare parts and accessories supplied by MAKITA.

Use of non-approved accessories and tools means increased risk of accidents.

MAKITA will not accept any liability for accidents or damage caused by the use of non-approved cutting tools and fixing devices of cutting tools, or accessories.

## First Aid

Make sure that a first-aid box is available in the vicinity of the cutting operations in case of accident.

## TECHNICAL DATA

| MODEL              | BCM2310/CA   | BCM2610/CA               | BCM2600 | BCM3310/CA                | BCM3300 |
|--------------------|--|--------------------------|---------|---------------------------|---------|
| Dry Weight         | 5.7 kg   | 5.7 kg                   | 6.5 kg  | 6.5 kg                    | 7.3 kg  |
| Engine             | TLE23FD-TBM/TBD                                      | TLE26FD-TBM/TBD          |         | TLE33FD-TBM/TBD           |         |
| Bore x Stroke      | 31 x 30 mm   | 33 x 30 mm               |         | 36 x 32 mm                |         |
| Displacement       | 22.6 cm <sup>3</sup>                                 | 25.6 cm <sup>3</sup>     |         | 32.6 cm <sup>3</sup>      |         |
| Maximum output     | 0.7 kW (0.94 HP)/<br>8000 rpm                        | 0.8 kW (1.07HP)/8000 rpm |         | 0.97 kW (1.3 HP)/7500 rpm |         |
| Fuel               | Mixture of gasoline and lubricating oil (ratio 50:1) |                          |         |                           |         |
| Lubricating oil    | Two-stroke motor oil FC                              |                          |         |                           |         |
| Fuel Tank Capacity | 0.6 lit.   |                          |         | 0.8 lit.                  |         |
| Spark Plug         | NGK BPMR8Y   |                          |         |                           |         |
| Carburetor         | Diaphragm type (with 2 passage for air and mixture)  |                          |         |                           |         |

|                  |             |                |                                |            |     |
|------------------|-------------|----------------|--------------------------------|------------|-----|
| Main Pipe        | Drive Shaft | Flex/Rigid     | Rigid                          |            |     |
|                  |             | Diameter       | 7 mm Hollow (5 mm)             |            |     |
|                  |             | Upper end      | Involute Spline (7 x 7 x 0.75) |            |     |
|                  |             | Lower end      |                                |            |     |
|                  | Tube        | Type           | Straight                       |            |     |
|                  |             | Diameter       | 25.4 mm                        |            |     |
|                  |             | Wall thickness | 1.5 mm                         |            |     |
|                  |             | Length         | 1500 mm                        |            |     |
|                  |             | Finish         | Silver Anodized                |            |     |
|                  | Bearings    | Type           | Bronze bush in rubber          |            |     |
| Type             |             | Tap and Go     | N/A                            | Tap and Go | N/A |
| O.Dia.           | 105 mm      | 105 mm         |                                |            |     |
| Line size        | 2.4 mm      | 2.4 mm         |                                |            |     |
| Gear Case Assy   | Arbor size  | M10LH FEM      |                                |            |     |
|                  | Gear ratio  | 14/19          | 17/21                          |            |     |
| Clutch Case Assy | Anti-Vib    | Yes            |                                |            |     |
|                  | Number Brgs | 2              |                                |            |     |
|                  | Drum dia.   | 54 mm          | 78 mm                          |            |     |
| Throttle Control | Overmolded  | Yes            |                                |            |     |
|                  | First Idle  | Yes            |                                |            |     |
| Hanger           | Type        | Fixed          |                                |            |     |

|               |            |                |                |               |                |               |
|---------------|------------|----------------|----------------|---------------|----------------|---------------|
| Guard         | Type       | Grass          |                | Weed Blade    | Grass          | Weed Blade    |
|               | Swath dia  | 41 cm (16 in.) | 43 cm (17 in.) | N/A           | 43 cm (17 in.) | N/A           |
| Handle Assy   | Type       | Loop           |                | Bike          | Loop           | Bike          |
|               | Barrier    | N/A            |                |               |                |               |
|               | Overmolded | Yes (Black)    |                | N/A           | Yes (Black)    | N/A           |
| Band Shoulder | Type       | Single         |                |               |                | Double        |
| Tool Set      |            | Yes            |                |               |                |               |
| Blade         | Size       | N/A            |                | 23 cm (9 in.) | N/A            | 23 cm (9 in.) |
|               | Type       |                |                | Quard         |                | Quard         |
| Blade Holder  |            | N/A            |                | Yes           | N/A            | Yes           |

## MOUNTING OF HANDLE

### CAUTION:

Before doing any work on the Brush Cutter/String Trimmer, always stop the engine and pull the spark plug connector off the spark plug.

Always wear protective gloves.

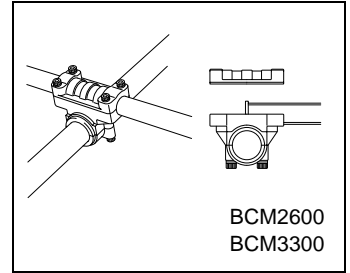
### CAUTION:

Start the engine of Brush Cutter/String Trimmer after making sure that it is assembled completely.



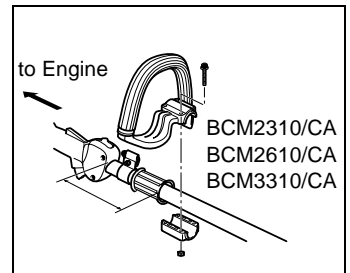
### For machines with U Handle models

- Place the handle-fixing metal so that the handle with the control lever will be positioned on the right (the right-hand grip side) as viewed from the engine side, and the other handle on the left side.
- Fit the groove of the handle-fixing material to the handle end. Fix the attached metal by hexagon socket bolts supplied.
- Adjust the position of handle for easy and comfortable operation, and then tighten securely the four (4) hexagon socket bolts uniformly on the right and left with the wrench provided.



### For machines with Loop Handle

- Fix a barrier to the left side of the machine together with the handle of operator's protection.
- Do not adjust position of the loop handle too close to the control grip.
- The handle must be kept in position more than 250 mm from the hanger.

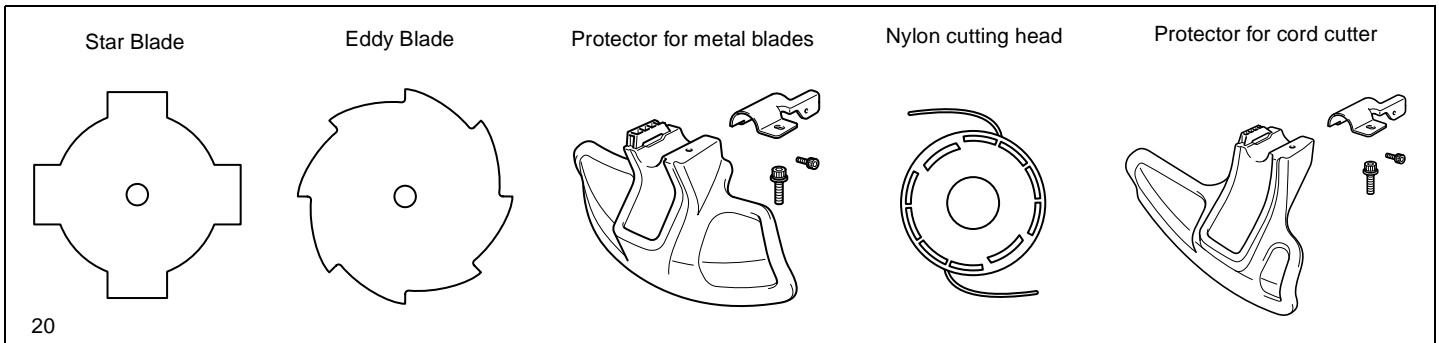


## MOUNTING OF PROTECTOR

To meet the applicable safety provisions, only the tool/protector combinations as described in the table must be used.

### Use genuine MAKITA cutter blades or nylon cutting head.

The cutter blade must be well sharpened, free of cracks or breakage. If the cutter blade hits against a stone during operation, stop the engine and check the blade immediately.



Sharpen or replace the cutter blade every three (3) hours of operation.

If the nylon cutting head hits against a stone during operation, stop the engine and check the nylon cutting head immediately.

### CAUTION:

The appropriate blade guard must always be installed for your own safety and complying with accident-prevention regulations. Operation without the safety guard is not permitted.

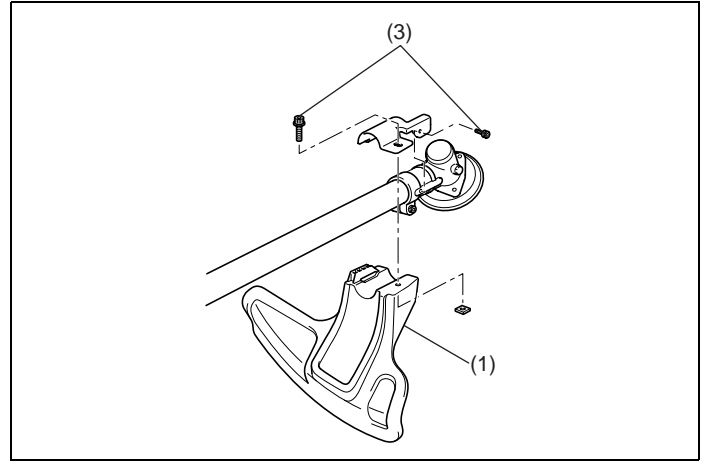
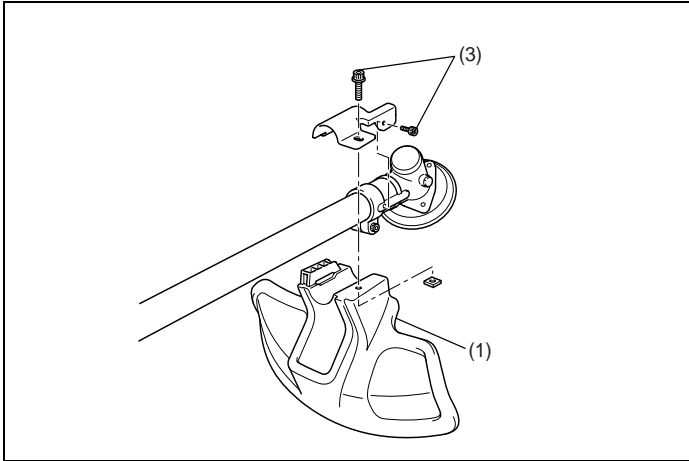


**For # BCM2600 and # BCM3300**

Fix the protector (1) to the clamp (3) with two bolts.

**For # BCM2310/CA, BCM2610/CA and BCM3310/CA**

Fix the protector (1) to the clamp (3) with two bolts.



**MOUNTING OF CUTTER BLADE OR NYLON CUTTER HEAD**

Turn the Brush Cutter/String Trimmer upside down and replace the cutter blade or the nylon cutting head.



**- Installing Cutter-Blade**

Mount the cutter blade (A) onto the receiver washer (B).

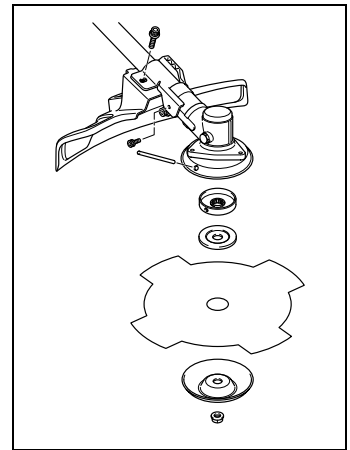
Make sure that the cutter blade (A) is centered and lies flat.

The guide of the receiver washer (B) must fit in the arbor hole in the cutter blade (A).

Install the clamp washer (C) with the raised center away from the cutter blade (A).

Insert the holding-pin (D) through the slot of the grass cover (E) and rotate the receiver washer (B) until it is locked with the holding-pin (D). Then install the nut guard (F) and the blade nut (G) onto the gear case and turn counterclockwise to tighten securely.

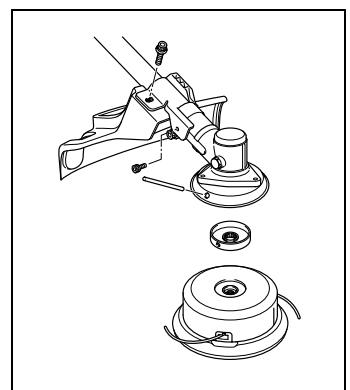
Note : Always wear gloves when handling the cutter blade



**- Installing Nylon cutting head**

Install the receiver washer (A) onto the gear case.

Insert the holding-pin (B) through the slot of the grass cover (C) and rotate the receiver washer (A) until it is locked with the holding-pin (B). Then place the nylon-cutting head (D) on the receiver washer (A) and rotate the nylon-cutting head (D) counterclockwise to tighten securely.



## FUELS/REFUELING

### Handling fuel

Utmost care required when handling fuel. Fuel may contain substances similar to solvents. Refuel either in a well ventilated room or outdoors.

Do not inhale fuel vapors, avoid any contact of fuel or oil with your skin.

Mineral oil products degrease your skin. If your skin contacts with these substances repeatedly and for an extended period of time, it will desiccate. Various skin diseases may result. In addition, allergic reactions may occur. Eyes can be irritated by contact with oil. If oil comes into your eyes, immediately wash them with clear water. If your eyes are still irritated, see a doctor immediately.

### Fuel and oil mixture

This brush-cutter (string-trimmer) is powered by a high-efficiency two-stroke engine being run with a mixture of fuel and two-stroke engine oil. The engine is designed for unleaded gasoline intended for automotive use with an octane rating of 87 or higher.

For lubricating the engine, use any brand of premium 2-stroke engine oil classified as grade ISO-L-EGD or JSAO-FC to be added to the fuel. Using any other oil will shorten the engine life and increase the required maintenance. It is absolutely required to observe a mixture ratio of 50 : 1 (2-stroke engine oil specified above), unless otherwise reliable function of the brush cutter ( or string trimmer ) cannot be guaranteed.

Correct Fuel Mixture ( 50 : 1 )

| Gasoline      | Oil             |
|---------------|-----------------|
| 1 Gallon (US) | 2.6 oz.         |
| 1 Liter       | 20 cc ( 20ml )  |
| 5 Liter       | 100cc ( 100ml ) |

Note :

When doing the fuel-oil mixture, first mix the entire oil quantity with half of the fuel required, then add the remaining fuel. Before filling it into the brush-cutter ( string trimmer ) tank, thoroughly shake the mixture. It is not recommended to add more engine oil than specified to ensure safe operation. This will result in a higher production of combustion residues which will pollute the environment and clog the exhaust channel in the cylinder as well as the muffler. In addition, the fuel consumption will rise and the performance will decrease.

### Refuelling

Follow the appropriate manners described on page 6.

### Storage of Fuel

Fuel cannot be stored for an unlimited period of time.

Purchase only the quantity required for a 4 week operating period. Use only approved fuel storage containers.



Observe the Safety Instructions on page 6.

## CORRECT HANDLING OF MACHINE

### Attachment of shoulder strap

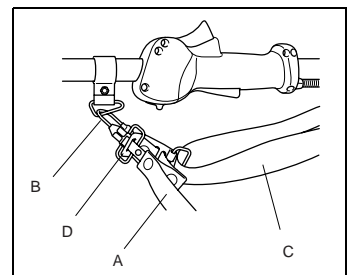
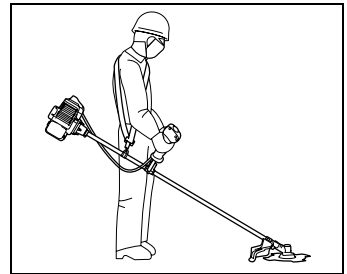
Always wear the shoulder strap and adjust the strap length so that the cutter blade is kept parallel with the ground.

### Detachment

The shoulder strap has a quick release latch. In an emergency, pull the red strap (A) to detach the machine from you. Be extremely careful to maintain control of the machine at this time. Do not allow the machine to be deflected toward you or anyone in the work vicinity.

**WARNING :** Failure to maintain complete control of the machine may result in serious bodily injury or death.

To reassemble, remove the spring clip (B) from the machine, place open end over the strap buckle (C) and then insert the release blade (D).



## POINTS IN OPERATION AND HOW TO STOP

Follow the applicable accident prevention regulations.

### Starting

Move at least 3 m away from the place of refueling. Place the machine on a flat, bare surface so that the cutting blade does not contact the surface of ground or any other objects.



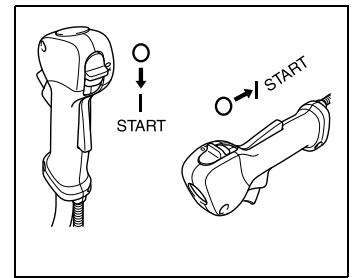
### Cold start

#### For machine with U Handle or Loop Handle

- Move the switch (1) to the "I" position.
- Push gently the primer pump (A) 8 to 10 times.
- Set the choke lever (B) to the "CHOKE" position (C).

Note : Depress the trigger safety lock (E) before squeezing trigger.

- Squeeze the trigger (F) to full throttle position and hold it, and then set the switch (1) to the "START" position and release the trigger (F).
- Pull the starter until the engine tries to run (No more than 6 pulls ).
- Set the choke lever to half choke position.
- Pull the starter until the engine start running.



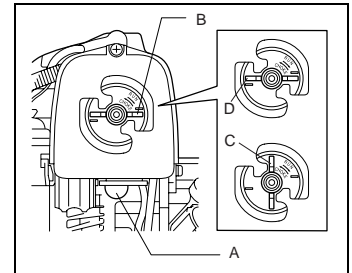
After the engine runs for 30 to 45 seconds at the "START" position ( for warming up the engine ), move the choke lever to the "RUN" position ( D ).

### Warm Start ( Re-starting Engine )

- Set the choke lever (B) to the "RUN" position (D).

Note : You do not need to pull the trigger or set the throttle-lock when the engine is warm.

- Pull the starter rope until the engine runs.



## STOPPING

Release the trigger (F) fully, and push the switch (1) to the "O" position that the engine will stop.

Be aware that the cutting blade may not stop immediately and allow it to slow down fully.

## IDLE SPEED ADJUSTMENT

Your MAKITA engine has been adjusted at the factory for optimum performance and fuel consumption, and no further adjustment is required.

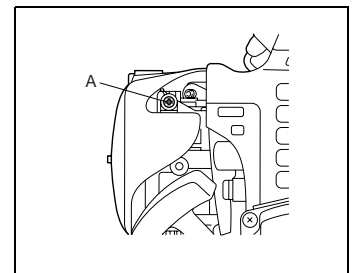
Due to varying atmospheric and climatic conditions, however, you may need some minor adjustment for your area.

### Checking the idle-speed

The idle-speed should be set to 2,800 – 3,300 rpm. If necessary, adjust the idle-speed using with a tachometer to insure the proper idle-speed. Note that the cutting blade or the nylon cutting head must not turn when the engine is on idle.

Adjusting the idle rpm. Can be done by turning the idle-speed screw (A) clockwise ( for increasing the engine speed ) or counterclockwise ( for decreasing the engine speed ).

If the engine does not idle properly after the adjustment, contact your nearest Makita dealer for service.



## RE-SHARPENING THE CUTTING TOOL

### CAUTION :

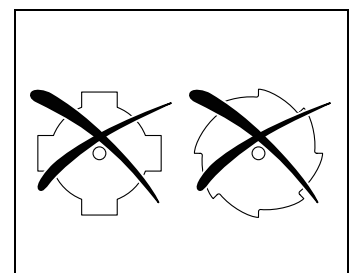
The cutting blades mentioned below should only be re-sharpened by an authorized facility. Manual re-sharpening will result in imbalances of the blade causing abnormal vibrations and damage to the machine.

- Cutter Blade : star blade ( 4 teeth ), eddy blade ( 8 teeth )

An expert service for re-sharpening and balancing is provided by Authorized Service Agents.

### NOTE :

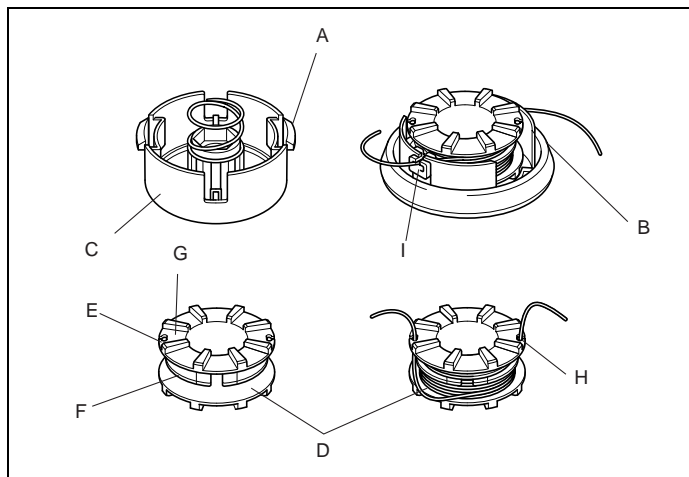
To increase the service life of the above cutter blade, it may be turned over once until both cutting edges have become blunt.



## NYLON CUTTING HEAD

### Replacing the nylon cord

- 1 First, stop the engine.  
Press on the housing latches (A) inward to lift off the cover assembly (B). Then remove the spool (D).
- 2 Remove any excess nylon cord from the spool.
- 3 Cut a length of the nylon cord that is approximately 7.5 m ( 25' ) long.
- 4 Hook the center of new nylon cord into the notch (F) in the center of the spool, with one end of the cord extending about 80 mm ( 3" to 3-1/8" ) more than the other. Then wind both ends firmly around the spool in the direction of the head rotation.
- 5 Put the cord ends temporarily into the notched (H) when winding being finished. Leave approximate 100 mm ( 4" ) of the cord extended beyond the notch.
- 6 Place the spool into the cover. Remove the ends of the cord from the notches (H) and put them in the metal eyelets (I) on the cover.
- 7 Mount the spool ( cover-assembly ) in the housing so that the grooves and protrusions on the spool mach up with those in the housing ( C ). Then push the cover firmly onto the housing to secure it.



## SERVICING INSTRUCTIONS

Before doing any work on the Brush Cutter/String Trimmer, always stop the engine and pull the plug cap off the spark plug.

Always wear protective gloves.

Do not attempt to remove the recoil starter by yourself, which may cause an accident. It should be done by the Authorized Service Agent.

To ensure a long service life and to avoid any damage to the machine, the following servicing operations should be done at regular intervals.



### Daily checkup and maintenance

Before operation, check the machine for loose screws or missing parts. Pay your special attention to the tightness of the cutting tool.

Before operation, always check for clogging of the cooling air passage and the cylinder fins. Clean them if necessary.

Do the following works daily after use :

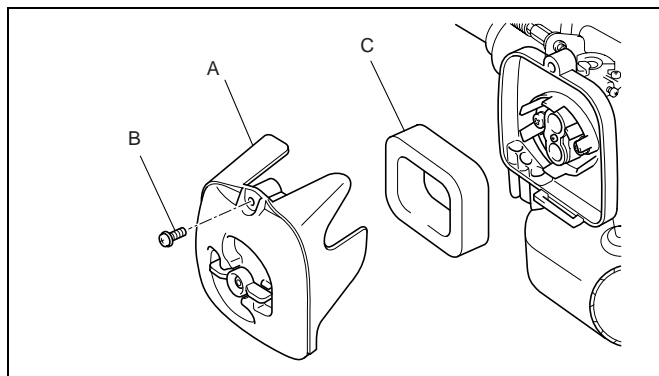
- Clean the machine externally and inspect for damage.
- Clean the air filter. When working under extremely dusty conditions, clean the filter several times a day.
- Check the blade or the nylon cutting head for damage and make sure it is firmly mounted.
- Check if there is sufficient difference between idling and engagement speed. Make sure that the cutting tool does not rotate while the engine is idling.
- Check the functioning of the I-O switch, the lock-off lever, the control lever and the lock button.

### Cleaning of air-filter

- Remove screw (B).
- Remove the air filter cover (A). Take out the air-filter (C) and clean it in warm soapy water. Dry the air-filter completely.
- After cleaning, put back the air filter cover and fasten it with the screw.

Note :

If there is excessive dust or dirt adhering to the air filter, clean it every day. A clogged air filter may make it difficult or impossible to start the engine or increase the engine rotation-speed.



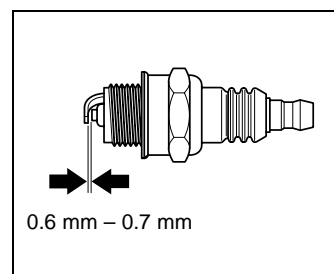
### Checking the spark plug

Only use the supplied universal wrench to remove or install the spark plug.

The gap between the two electrodes of the spark plug should be 0.6 – 0.7 mm ( 0.024" – 0.028" ). If the gap is too wide or too narrow, adjust it. If the spark plug is clogged with carbon or fouled, clean it completely or replace it.

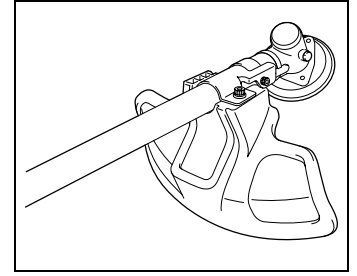
CAUTION :

Never touch the spark plug connector while the engine is running ( danger of high voltage electric shock ).



### Supply of grease to gear case

Supply grease (Shell Albania 3 or equivalent ) to the gear case through the grease hole every 30 hours.



### Suction head in the fuel tank

The fuel filter (A) of the suction head is for filtering the fuel to the carburetor. A periodical visual inspection of this fuel filter is highly recommended.

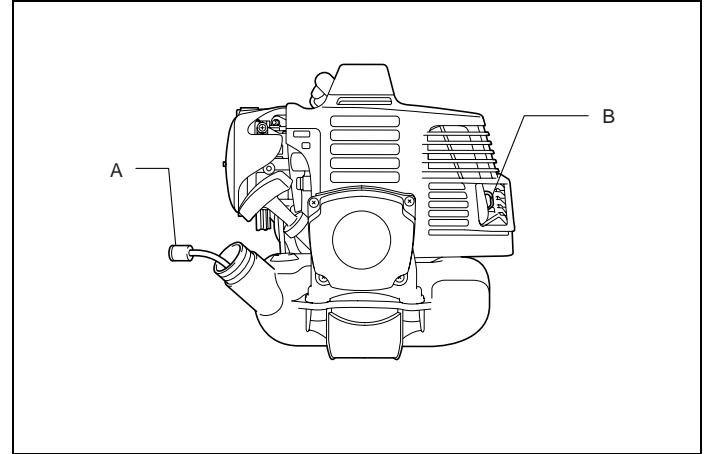
To inspect the fuel filter, open the tank cap and pull out the suction head through the opening of the tank using a wire hook.

If the filter is found to have hardened, polluted or clogged up, it should be replaced.

Insufficient fuel supply caused by the deteriorated filter will result in the poor performance of the engine. It is therefore important to replace the fuel filter at least quarterly to ensure fuel-supply to the carburetor.

### Cleaning of muffler exhaust port

Check the muffler exhaust port (B) regularly. If it is clogged by carbon deposits, scratch out the deposits carefully with a suitable tool.



### STORAGE

When the Brush Cutter/String Trimmer is in storage for a long time,

- 1 Drain all fuel from the fuel tank into a container approved for gasoline. Run the engine until it stops.
- 2 Clean all foreign material from the machine and store it in a well-ventilated place that is not accessible to children.

## MAINTENANCE SCHEDULE

|                       |  |  |
|-----------------------|--|--|
| General               | Engine assembly, screws and nuts                               | Visual inspection for damage and tightness.<br>Check for general condition and security.                   |
| After each refueling  | Control lever<br>I-O switch                                    | Functional check<br>Functional check   |
| Daily                 | Air filter<br>Cooling air duct<br>Cutting tool<br>Idling speed | To be cleaned<br>To be cleaned<br>Check for damage and sharpness<br>Inspect (Cutting tool does not rotate) |
| Weekly                | Spark plug<br>Muffler  | Inspection, replace if necessary<br>Check and clean the opening if necessary                               |
| Quarterly             | Suction head<br>Fuel tank                                      | To be replace<br>To be cleaned   |
| Yearly<br>(Long Term) | Fuel tank<br>Carburetor  | Empty fuel tank<br>Operate until engine stops  |

## TROUBLESHOOTING CHART

| Trouble                                | System           | Observation                     | Cause   |
|--|------------------|---------------------------------|---|
| Engine does not start or hard to start | Ignition system  | Ignition spark O.K.             | Failure in fuel supply or compression system, mechanical defect   |
|  |                  | No ignition spark               | I-O switch operated, wiring fault or short circuit, spark plug or connector defective, ignition module faulty                         |
|  | Fuel supply      | Fuel tank filled                | Wrong choke position, defective carburetor, fuel supply line bent or blocked, dirty fuel  |
|  | Compression      | No compression when pulled over | Cylinder bottom gasket defective, Crankshaft seals damaged, Cylinder or piston rings defective or improper sealing of spark plug      |
|  | Mechanical fault | Starter not engaging            | Broken starter spring, broken parts inside the engine   |
| Warm start problem                     |                  | Tank filled<br>Ignition spark   | Carburetor contaminated or damaged. Clean or replace.   |
| Engine starts but soon stops           | Fuel supply      | Tank filled                     | Incorrect idle-adjustment,<br>Carburetor contaminated<br>Defective tank, fuel supply line interrupted, cable or I-O switch defective. |
| Insufficient performance               | Several systems  | Poor engine idling              | Air filter contaminated, carburetor contaminated, muffler clogged, exhaust duct in the cylinder clogged                               |

## FRANÇAIS

Merci d'avoir fait l'achat de cette débroussailleuse ou de ce taille-bordures MAKITA.

Nous sommes heureux de recommander cette débroussailleuse ou ce taille-bordures MAKITA, résultat d'un long programme de développement et de nombreuses années de savoir-faire et d'expérience. Veuillez lire le présent document, qui présente en détails les nombreux aspects qui méritent en valeur les performances remarquables de cet outil. Il vous aidera à tirer pleinement profit de votre débroussailleuse ou taille-bordures MAKITA.



### Table des matières

|  |    |
|--|----|
| SYMBOLES .....   | 18 |
| CONSIGNES DE SÉCURITÉ .....  | 19 |
| DONNÉES TECHNIQUES .....   | 21 |
| ASSEMBLAGE DE LA POIGNÉE .....   | 23 |
| ASSEMBLAGE DU PROTECTEUR .....   | 23 |
| ASSEMBLAGE DE LA LAME DU SÉCATEUR<br>OU DE LA TÊTE DE COUPE EN NYLON ..... | 24 |
| CARBURANTS/REPLISSAGE .....  | 25 |
| COMMENT TENIR L'OUTIL .....  | 25 |
| POINTS IMPORTANTS POUR L'OPÉRATION,<br>ET FAÇON D'ARRÊTER L'OUTIL .....    | 26 |
| RAFFÛTAGE DE L'OUTIL TRANCHANT .....                                       | 26 |
| INSTRUCTIONS POUR LA RÉPARATION .....                                      | 27 |
| RANGEMENT .....  | 28 |

### – CALIFORNIE SEULEMENT –

Déclarations de garantie (droits et obligations envers la garantie contre les vices du propriétaire) du système de contrôle des émissions par MAKITA U.S.A. Inc. (Makita) et la California Air Resources Board Dans l'intérêt de l'environnement, les moteurs Makita qui répondent à de strictes conditions requises contrôle des émissions portent une étiquette. "This small off-road engine conforms to 2000 and later California Emission Control Regulations" (Ce petit moteur hors route est conforme aux réglementations de contrôle des émissions 2000 et ultérieures de Californie).

### DECLARATION DE GARANTIE DE CONTRÔLE DES ÉMISSIONS POUR LA CALIFORNIE VOS DROITS ET OBLIGATIONS DE GARANTIE

La California Air Resources Board et Makita ont le plaisir d'expliquer la garantie du système de contrôle des émissions de votre petit moteur hors route. En Californie, de nouveaux petits moteurs hors route doivent être conçus, construits et installés pour répondre aux normes anti-smog rigoureuses de l'état. Makita doit garantir le système de contrôle des émissions de votre moteur pendant les durées indiquées ci-dessous, à condition qu'il n'y ait eu aucun dommage, négligence ou entretien incorrect de votre petit moteur hors route. Votre système de contrôle des émissions comprend des pièces comme le carburateur, le filtre à air, le système d'allumage, le réservoir à carburant, le silencieux et le catalyseur. Des connecteurs et autres ensembles liés aux émissions peuvent aussi être concernés. Lorsqu'une condition sous garantie existe, Makita réparera votre petit moteur hors route, y compris le diagnostic, les pièces et la main-d'œuvre, sans que vous encouriez de frais.

#### Étendue de la garantie de MAKITA U.S.A. Inc.

Le système de contrôle des émissions est garanti pendant deux ans. Si une pièce de votre moteur garantie est défectueuse, elle sera réparée ou remplacée par Makita.

### Responsabilités envers la garantie du propriétaire

En tant que propriétaire d'un petit moteur hors route, vous êtes responsable de l'exécution de l'entretien requis indiqué dans votre mode d'emploi.

Makita vous recommande de conserver tous les reçus concernant l'entretien de votre petit moteur hors route, mais Makita ne peut pas refuser la garantie seulement pour un manque de reçus ou du fait que vous n'avez pas fait exécuter tous les entretiens planifiés.

En tant que propriétaire d'un petit moteur hors route, vous devez toutefois savoir que Makita peut vous refuser une étendue de garantie si votre petit moteur hors route ou une pièce est tombé en panne du fait de dommage, négligence ou entretien incorrect ou modifications improuvées.

Vous avez la responsabilité de présenter votre petit moteur hors route à un concessionnaire de service agréé ou à un fabricant d'équipement auquel Makita vendrait des moteurs aussitôt que le problème apparaît. Les réparations sous garantie devraient être terminées dans un délai raisonnable, ne dépassant pas 30 jours. Si vous avez des questions concernant votre garantie, contactez :

\* Pour le centre de service après-vente Makita le plus proche, visitez le site [www.makitatools.com](http://www.makitatools.com)

\* Pour un support technique ou des questions concernant le fonctionnement de nos outils et accessoires, appelez le numéro : 1-800-4-MAKITA

\* Bureau de la société Makita USA Inc.: 14930 Northam St. La Mirada, CA 90638-5753

### Clauses de garantie contre les vices de contrôle des émissions de MAKITA U.S.A. Inc.

Les clauses suivantes sont spécifiquement relatives à votre garantie contre les vices de contrôle des émissions. Elles sont un supplément à la garantie de moteur Makita pour moteurs non réglés qui se trouve dans le mode d'emploi.

#### 1. Pièces sous garantie

Cette garantie ne s'étend qu'aux pièces indiquées ci-dessous (pièces de systèmes de contrôle des émissions) dans la mesure où ces pièces étaient présentes sur le moteur acheté.

- Dispositifs de dosage de carburant
- Carburateur et pièces internes
- Système d'enrichissement démarrage à froid (starter doux)
- Filtre à carburant (jusqu'au premier remplacement prévu)
- Tuyaux d'entrée de carburant
- Tuyaux de sortie de carburant
- Dispositif d'admission d'air
- Filtre à air (élément)
- Système d'allumage
- Bougie(s) d'allumage
- Système d'allumage par magnéto
- Réservoir à carburant
- Système catalyseur ou réacteur thermique
- Catalyseur

#### 2. Durée de garantie

Makita garantit au propriétaire initial et à chaque acheteur subséquent que les pièces garanties sont dépourvues de vices de matériaux et de fabrication qui provoqueraient une panne de la (des) pièce(s) garantie(s) pendant une période de deux ans à partir de la date où le moteur a été livré au détaillant.

#### 3. Aucun frais

La réparation ou le remplacement d'une pièce garantie sera effectué sans aucun frais pour le propriétaire, y compris le travail de diagnostic qui conduit à la détermination qu'une pièce garantie est défectueuse, si ce diagnostic est effectué chez un concessionnaire de service agréé d'un fabricant d'équipement auquel Makita vendrait des moteurs.

#### 4. Réclamations et exclusions de la garantie

Les réclamations seront acceptées conformément aux clauses du contrat de garantie des moteurs Makita. La garantie est exclue pour la défaillance de pièces garanties qui ne sont pas des pièces d'origine Makita ou du fait de dommage, négligence ou entretien incorrect tels que définis dans le contrat de garantie de moteur Makita. Makita n'est pas tenu d'assurer la garantie de défaillances ou pièces garanties provoquées par l'utilisation de pièces d'extension, non originales ou modifiées.

## 5. Entretien

Toute pièce garantie dont le remplacement n'est pas planifié comme entretien requis ou dont seulement le contrôle périodique est planifié portant sur "réparer ou remplacer si nécessaire" sera garantie en ce qui concerne les vices pendant la période de garantie. Toute pièce garantie dont le remplacement est planifié comme entretien requis sera garantie en ce qui concerne les vices seulement pendant la période jusqu'au premier remplacement planifié de cette pièce. Toute pièce de rechange équivalente en performances et durabilité peut être utilisée lors de l'exécution d'un entretien ou d'une réparation. Le propriétaire est responsable de l'exécution de tous les entretiens requis, comme définis dans le mode d'emploi Makita.

## 6. Garantie indirecte

La garantie ci-dessous s'étend à la défaillance de tous composants moteur provoquée par la défaillance de toute pièce garantie encore sous garantie.

## ÉTENDUE DE LA GARANTIE CONTRE LES VICES DES PIÈCES À ÉMISSION

MAKITA U.S.A. Inc. (MAKITA) garantit au premier acheteur au détail, et à chacun des propriétaires subséquents, que cet appareil a été conçu, fabriqué et équipé de sorte à être conforme, au moment de sa vente initiale, à tous les règlements en vigueur de la U.S.

Environmental Protection Agency (EPA), et que l'outil est exempt de tout vice matériel ou de conception pouvant empêcher son fonctionnement, conformément aux règlements de l'EPA, pendant la période couverte par la garantie.

Pour les pièces énumérées dans la section PIÈCES GARANTIES, le fournisseur de service après-vente autorisé par MAKITA effectuera gratuitement le diagnostic, la réparation ou le remplacement jugé nécessaire pour assurer que l'outil soit conforme aux règlements en vigueur de l'U.S. EPA.

## PÉRIODE DE GARANTIE CONTRE LES VICES DES PIÈCES À ÉMISSION

La période de garantie de cet outil commence au moment de sa vente à l'acheteur initial et se poursuit pendant 2 ans.

## PIÈCES COUVERTES PAR LA GARANTIE

Les pièces couvertes par la garantie contre les vices de pièces à émission sont énumérées ci-dessous. Certaines des pièces énumérées ci-dessous peuvent exiger un entretien périodique et ne sont garanties que jusqu'au premier point de remplacement prévu pour la pièce en question.

- (1) Dispositif de dosage du carburant
  - (i) Carburateur et pièces internes.
  - (ii) Filtre à carburant, le cas échéant.
  - (iii) Dispositif d'étranglement, le cas échéant.
  - (iv) Volet d'air, le cas échéant.
- (2) Dispositif d'admission d'air.
  - (i) Plaque de filtre à air.
  - (ii) Logement du filtre à air.
- (3) Système d'allumage.
  - (i) Bougies d'allumage.
  - (ii) Volant magnétique.
  - (iii) Bobine d'allumage.
- (4) Éléments divers utilisés dans les dispositifs ci-dessus.
  - (i) Tuyaux de carburant, dispositifs de serrage et garnitures d'étanchéité.

## DEMANDE D'APPLICATION DE LA GARANTIE

Pour faire une demande de réparation couverte par la garantie, apportez l'outil au centre de service après-vente de l'usine MAKITA la plus près ou dans un centre de service autorisé par MAKITA. Apportez également une preuve d'achat sur laquelle figure la date d'achat de l'outil. Le fournisseur de service après-vente autorisé par MAKITA effectuera les réparations ou réglages nécessaires dans un délai raisonnable et vous fournira une copie de la commande de réparation. Toute pièce ou tout accessoire remplacé et couvert par la présente garantie devient la propriété de MAKITA.

## CE QUE LA GARANTIE NE COUVRE PAS

- Tout état résultant d'une modification, d'une mauvaise utilisation, d'un réglage inadéquat (sauf si effectué par le fournisseur de service après-vente autorisé par MAKITA pendant la période de réparation sous garantie), d'une altération, d'un accident, de l'utilisation d'un carburant ou d'une huile non recommandé(e), ou de la négligence des travaux d'entretien exigés.
  - Les pièces de rechange utilisées pour effectuer l'entretien exigé.
  - Dommages indirects tels que perte de temps, dérangement, incapacité d'utiliser le moteur de l'outil ou ses accessoires, etc.
  - Frais de diagnostic et d'inspection pour des problèmes non couverts par la garantie.
  - Tout changement de pièce non autorisé, ou tout mauvais fonctionnement d'une pièce autorisée causé par l'utilisation de pièces non autorisées.

## RESPONSABILITÉS DU PROPRIÉTAIRE FACE À LA GARANTIE

En tant que propriétaire de l'outil, vous êtes responsable de l'exécution des travaux d'entretien exigés qui figurent dans le mode d'emploi. MAKITA recommande de conserver tous les reçus d'entretien de l'outil, bien que MAKITA ne puisse pas refuser d'appliquer la garantie simplement en raison de l'absence de reçus ou de votre négligence des travaux d'entretien périodiques. En tant que propriétaire de l'outil, vous devez toutefois être conscient du fait que MAKITA peut refuser d'appliquer la garantie si l'outil ou une de ses pièces ne fonctionne plus suite à un abus, à une négligence, à un entretien inadéquat ou à des modifications non autorisées.

Vous avez la responsabilité d'apporter l'outil chez un fournisseur de service après-vente autorisé par MAKITA lorsqu'un problème survient. Si vous avez des questions concernant vos droits et responsabilités la envers garantie, contactez :

\* Pour le centre de service après-vente Makita le plus proche, visitez le site [www.makitatools.com](http://www.makitatools.com)

\* Pour un support technique ou des questions concernant le fonctionnement de nos outils et accessoires, appelez le numéro : 1-800-4-MAKITA

\* Bureau de la société Makita USA Inc.: 14930 Northam St. La Mirada, CA 90638-5753

(Pour le Canada)

\* Pour le centre de service après-vente agréé le plus proche, consultez les pages jaunes locales sous la rubrique "outils" ou contactez notre service clients, Tél : 1-800-263-3734 (Canada seulement), ou visitez notre site Web, [www.makita.ca](http://www.makita.ca)

\* Makita Canada Inc. Head Office & Plant : 1950 Forbes Street, Whitby, ON L1N 7B7

## CE QU'IL FAUT SAVOIR À PROPOS DE LA GARANTIE DU SYSTÈME DE CONTRÔLE DES ÉMISSIONS :

### ENTRETIEN ET RÉPARATIONS

Vous avez la responsabilité d'assurer l'entretien adéquat de votre outil. Vous devez conserver tous les reçus et relevés d'entretien émis lors de l'exécution régulière des travaux d'entretien, pour pouvoir répondre à d'éventuelles questions.

Ces reçus et relevés d'entretien doivent être transférés au nouveau propriétaire chaque fois que l'outil est cédé à un tiers. MAKITA se réserve le droit de refuser la couverture par la garantie si l'outil n'a pas fait l'objet d'un entretien adéquat. Les demandes d'application de la garantie ne seront toutefois pas rejetées uniquement en raison de votre négligence des travaux d'entretien nécessaires ou pour ne pas avoir conservé les relevés d'entretien.

L'ENTRETIEN, LE REMPLACEMENT OU LA RÉPARATION DES DISPOSITIFS ET SYSTÈMES DE CONTRÔLÉES DES ÉMISSIONS PEUT ÊTRE EFFECTUÉ PAR TOUT SERVICE DE RÉPARATION OU RÉPARATEUR ; TOUTEFOIS, LES RÉPARATIONS COUVERTES PAR LA GARANTIE DOIVENT ÊTRE EFFECTUÉES PAR UN FOURNISSEUR DE SERVICE APRÈS-VENTE AUTORISÉ PAR MAKITA. L'UTILISATION DE PIÈCES NON ÉQUIVALENTES, EN TERMES DE PERFORMANCES ET DURABILITÉ, AUX PIÈCES AUTORISÉES, PEUT AFFECTER L'EFFICACITÉ DU SYSTÈME DE CONTRÔLE DES ÉMISSIONS ET PEUT AINSI AVOIR DES CONSÉQUENCES SUR L'APPLICATION ÉVENTUELLE DE LA GARANTIE.



Si des pièces non autorisées par MAKITA sont utilisées comme pièces de rechange lors de l'entretien ou pour réparer des composants liés au contrôle des émissions, vous devez vous assurer personnellement que le fabricant desdites pièces garantit qu'elles sont équivalentes, en termes de performances et de durabilité, aux pièces autorisées par MAKITA.

#### **POUR FAIRE APPLIQUER LA GARANTIE**

Toute réparation couverte par cette garantie limitée doit être exécutée par un fournisseur de service après-vente autorisé par MAKITA. Au cas où il est déterminé qu'une pièce liée aux gaz d'échappement est défectueuse pendant la durée de garantie, informez-en MAKITA aux contacts suivants et il vous sera indiqué le concessionnaire de service agréé ou les fournisseurs de service où la réparation sous garantie peut être effectuée.

\* Pour le centre de service après-vente Makita le plus proche, visitez le site [www.makitatools.com](http://www.makitatools.com)

\* Pour un support technique ou des questions concernant le fonctionnement de nos outils et accessoires, appelez le numéro : 1-800-4-MAKITA

\* Bureau de la société Makita USA Inc.: 14930 Northam St. La Mirada, CA 90638-5753























(Pour le Canada)

\* Pour le centre de service après-vente agréé le plus proche, consultez les pages jaunes locales sous la rubrique "outils" ou contactez notre service clients, Tél : 1-800-263-3734 (Canada seulement), ou visitez notre site Web, [www.makita.ca](http://www.makita.ca)

\* Makita Canada Inc. Head Office & Plant : 1950 Forbes Street, Whitby, ON L1N 7B7

## SYMBOLES

Les symboles suivants apparaissent dans le manuel d'instructions.

|   |   |   |  |
|---|---|---|--|
|    | Se référer au manuel d'instructions   |    | Porter des lunettes de sécurité et des protections d'oreilles (pour le taille-bordures uniquement)                           |
|    | Être particulièrement prudent et attentif   |    | Porter un casque de protection, des lunettes de sécurité et des protections d'oreilles (pour la débroussailleuse uniquement) |
|    | Interdit  |    | Ne pas utiliser de lames métalliques (pour le taille-bordures uniquement)  |
|     | Défense d'approcher   |    | Vitesse maximale admise de l'outil   |
|    | Danger de projection d'objets   |    | Mélange de carburant et d'huile  |
|    | Ne pas fumer  |    | Démarrage manuel du moteur de l'outil  |
|   | Feu nu interdit   |   | Arrêt d'urgence  |
|  | Port des gants de travail obligatoire   |  | Premiers secours   |
|  | Choc en retour  |  | Recyclage  |
|  | Zone de travail interdite aux personnes et animaux  |  | MARCHE/DÉMARRAGE   |
|  | Porter des bottes résistantes, à semelle antidérapante. Les bottes de sécurité à bout en acier sont recommandées. |  | ARRÊT  |

## CONSIGNES DE SÉCURITÉ

### Consignes générales

- Pour assurer une utilisation correcte, l'utilisateur doit lire le présent manuel d'instructions afin de se familiariser avec la manipulation de la débroussailleuse ou du taille-bordures. Les utilisateurs mal informés ne sachant pas manipuler correctement l'outil, ils représentent un danger pour eux-mêmes et pour les autres personnes présentes.
- Il est préférable de ne prêter la débroussailleuse ou le taille-bordures qu'à des personnes expérimentées avec l'outil en question. Vous devez également toujours leur remettre le manuel d'instructions.
- Un utilisateur sans expérience doit demander au revendeur des instructions de base afin de se familiariser avec la manipulation de cet outil de coupe motorisé.
- Ne laissez pas les enfants et les jeunes âgés de moins de 18 ans utiliser la débroussailleuse ou le taille-bordures. Les personnes âgées de 16 ans ou plus peuvent toutefois utiliser l'appareil dans le cadre d'une formation ou sous la supervision d'un instructeur qualifié.
- Soyez extrêmement prudent et attentif lorsque vous utilisez la débroussailleuse ou le taille-bordures.
- N'utilisez la débroussailleuse ou le taille-bordures que lorsque vous êtes en bonne condition physique. Effectuez tout travail avec calme et prudence. L'utilisateur doit assumer ses responsabilités face aux autres personnes qui travaillent avec lui.
- N'utilisez jamais la débroussailleuse ou le taille-bordures après avoir consommé de l'alcool ou des médicaments, ni lorsque vous êtes fatigué ou malade.

### Utilisation prévue pour l'outil

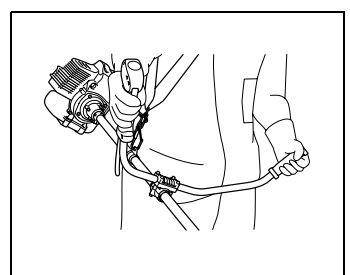
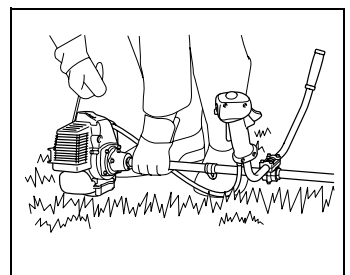
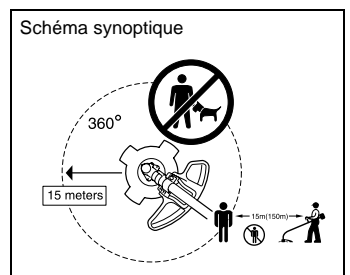
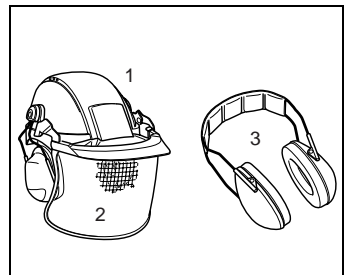
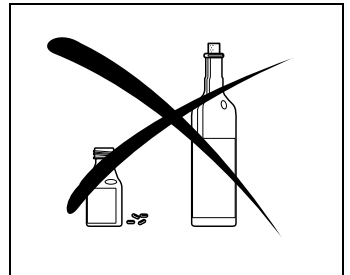
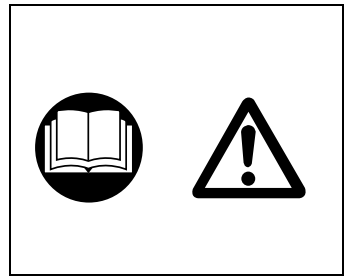
La débroussailleuse et le taille-bordures doivent être utilisés exclusivement pour couper l'herbe, les mauvaises herbes, les buissons et les sous-bois. Ils ne sont pas conçus pour toute autre utilisation, telle que la coupe des haies, car cela comporte un risque de blessure.

### Dispositifs de protection personnelle

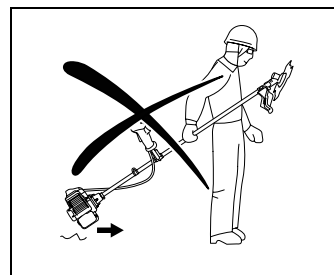
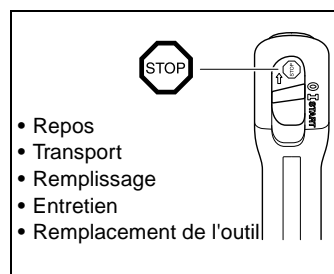
- Vous devez porter des vêtements fonctionnels et appropriés, à la fois ni trop amples ni trop serrés. Ne portez aucun bijou ni vêtement pouvant s'enchevêtrer dans les buissons ou arbustes.
- Pour éviter toute blessure à la tête, aux yeux, aux mains ou aux pieds, ainsi que pour protéger l'ouïe, vous devez porter les dispositifs et vêtements de protection qui suivent pendant l'utilisation de la débroussailleuse ou du taille-bordures.
- Portez toujours un casque de sécurité là où il y a risque de chute d'objets. Le casque de protection (1) doit être vérifié régulièrement pour s'assurer qu'il n'est pas endommagé, et il faut le remplacer au moins une fois tous les 5 ans. Portez uniquement les casques de protection homologués.
- La visière (2) du casque (ou les lunettes à coques) protège(nt) le visage contre les débris et cailloux projetés. Pendant l'utilisation de la débroussailleuse ou du taille-bordures, portez toujours des lunettes à coques ou une visière pour protéger vos yeux contre les blessures.
- Portez un dispositif de protection adéquat contre le bruit pour éviter tout trouble de l'ouïe (cache-oreilles (3), bouchons d'oreilles, etc.).
- Les vêtements de travail (4) assurent une protection contre les cailloux et débris projetés. Le port des vêtements de travail est fortement recommandé.
- Portez toujours des gants spéciaux (5) en cuir épais pendant l'utilisation de la débroussailleuse ou du taille-bordures.
- Lorsque vous utilisez la débroussailleuse ou le taille-bordures, portez toujours des bottes résistantes (6) à semelle antidérapante pour prévenir les blessures et vous assurer d'une bonne assise.

### Démarrage de la débroussailleuse

- Assurez-vous qu'il n'y a personne (ni adultes ni enfants) dans un rayon de 15 mètres (50 pieds), et prêtez également attention aux animaux à proximité de la zone de travail.
- Avant l'utilisation, vérifiez toujours que la débroussailleuse ou le taille-bordures ne présente aucun danger. Vérifiez la sécurité de l'outil tranchant, le déplacement facile du levier de commande et le bon fonctionnement du verrou du levier de commande.
- L'outil tranchant ne doit pas tourner lorsque le moteur de l'outil tourne à vide. Si cela se produit, informez-vous auprès du revendeur pour faire régler le moteur de l'outil. Assurez-vous que les poignées sont propres et sèches, et vérifiez le bon fonctionnement du commutateur de démarrage/arrêt.
- Suivez rigoureusement les instructions du présent manuel pour faire démarrer la débroussailleuse ou le taille-bordures. Ne faites démarrer le moteur de l'outil d'aucune autre façon.
- N'utilisez la débroussailleuse ou le taille-bordures, ainsi que les autres outils, que pour les travaux pour lesquels ils ont été conçus.
- Ne faites démarrer le moteur de la débroussailleuse ou du taille-bordures qu'après avoir assemblé toutes les pièces. Vous ne devez utiliser l'outil qu'après avoir assemblé tous les accessoires appropriés.
- Avant le démarrage, assurez-vous que l'outil tranchant n'entre en contact avec aucun objet dur, tel que branches, cailloux, etc., car l'outil tranchant tourne au moment du démarrage.
- En cas de problème mécanique, vous devez immédiatement mettre le moteur de l'outil hors tension.
- Si l'outil tranchant frappe contre des cailloux ou tout autre objet dur, arrêtez immédiatement le moteur de l'outil et inspectez l'outil tranchant.
- Inspectez souvent l'outil tranchant pour vous assurer de l'absence de dommages (pour détecter les fêlures, frappez-le du doigt).
- N'utilisez pas la débroussailleuse ou le taille-bordures sans la bandoulière fournie. Vous devez l'ajuster correctement avant d'utiliser la débroussailleuse ou le taille-bordures. Pour prévenir la fatigue pendant l'utilisation, ajustez la bandoulière en fonction de votre taille. Ne tenez jamais la débroussailleuse ou le taille-bordures d'une seule main pendant l'utilisation.
- Pendant l'utilisation, tenez toujours la débroussailleuse ou le taille-bordures à deux mains. Assurez-vous toujours d'avoir une bonne assise.
- Utilisez la débroussailleuse ou le taille-bordures de façon à éviter d'inspirer les gaz d'échappement. Ne faites jamais fonctionner l'outil dans une pièce fermée (il y a risque d'empoisonnement par le gaz). Le monoxyde de carbone est un gaz inodore.

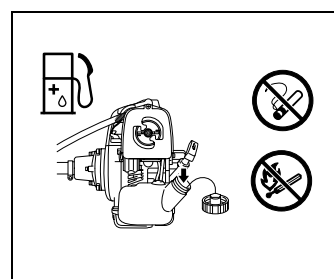


- Coupez le moteur lorsque vous avez terminé l'utilisation de la débroussailleuse ou du taille-bordures, et rangez l'outil là où il ne représentera un danger pour personne et ne risquera pas d'être endommagé.
- Ne déposez jamais la débroussailleuse ou le taille-bordures encore chaud(e) sur l'herbe sèche ou tout matériau combustible.
- La débroussailleuse ou le taille-bordures doit être en tout temps équipé(e) d'un protecteur adéquat.
- Tous les dispositifs de protection fournis avec la débroussailleuse ou le taille-bordures doivent être utilisés pendant le fonctionnement de l'outil.
- Ne faites jamais fonctionner l'outil si son silencieux d'échappement est défectueux.
- Coupez le moteur avant de transporter l'outil.
- Lorsque l'outil est transporté sur de longues distances, les dispositifs de protection doivent toujours être utilisés.
- Pendant le transport dans un véhicule, assurez-vous que la débroussailleuse ou le taille-bordures est placé(e) de façon à éviter toute fuite de carburant.
- Lors du transport de la débroussailleuse ou du taille-bordures, assurez-vous que le réservoir de carburant est complètement vide.
- Lorsque vous sortez la débroussailleuse ou le taille-bordures du véhicule, prenez garde de l'échapper, car le réservoir de carburant risquerait d'être sérieusement endommagé.
- Pour déplacer l'outil, soulevez-le toujours complètement, pour qu'aucune pièce ne traîne au sol. Le déplacement de l'outil en laissant traîner au sol son réservoir de carburant est extrêmement dangereux et peut causer des dommages au réservoir et une fuite de carburant pouvant entraîner un incendie.



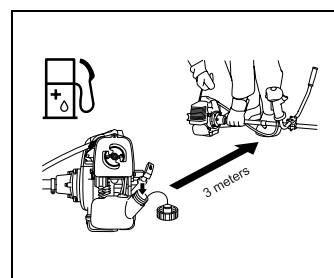
### Remplissage

- Pendant le remplissage, coupez toujours le moteur de l'outil, restez à l'écart des flammes nues et ne fumez pas.
- Portez toujours des gants de travail pendant le remplissage. Changez de vêtements protecteurs et nettoyez-les à intervalles réguliers.
- Prenez garde de renverser le carburant ou l'huile, afin d'éviter de polluer l'environnement. Nettoyez immédiatement la débroussailleuse ou le taille-bordures si vous renversez du carburant.
- Évitez tout contact du carburant avec vos vêtements. Changez immédiatement de vêtements si vous renversez du carburant dessus, afin d'éviter qu'ils ne prennent feu.
- Vérifiez régulièrement le bouchon du réservoir de carburant, pour vous assurer qu'il est bien serré et ne fuit pas.
- Serrez toujours fermement le bouchon du réservoir de carburant. Avant de faire démarrer l'outil, éloignez-vous de l'endroit où vous avez effectué le remplissage (d'au moins 3 mètres).
- N'effectuez jamais le remplissage dans une pièce fermée. Les vapeurs de carburant s'accumulant, il y aurait risque d'explosion.
- Ne transportez et ne rangez le carburant que dans des contenants homologués. Assurez-vous que le carburant est rangé hors de portée des enfants.



### Utilisation

- Utilisez la débroussailleuse ou le taille-bordures uniquement lorsque les conditions d'éclairage et de visibilité sont bonnes. L'hiver, prenez toujours garde aux endroits glissants ou mouillés, à la glace et à la neige. Assurez-vous d'avoir une bonne assise.
- Ne coupez jamais à une hauteur supérieure à la ceinture.
- N'utilisez jamais la débroussailleuse ou le taille-bordures alors que vous vous trouvez sur une échelle.
- N'utilisez jamais la débroussailleuse ou le taille-bordures en grimpant dans les arbres.
- Ne travaillez jamais sur une surface instable.
- Retirez le sable, les cailloux, les clous, etc., qui se trouvent dans votre zone de travail. Les corps étrangers peuvent endommager l'outil tranchant et provoquer de dangereux chocs en retour.
- L'outil tranchant doit avoir atteint sa pleine vitesse de travail avant d'entrer en contact avec l'herbe.



### Choc en retour

- Des chocs en retour entraînant une perte de contrôle peuvent survenir pendant l'utilisation de la débroussailleuse.
- Cela est tout particulièrement le cas si vous tentez de couper avec la partie de la lame qui se trouve entre 12 et 2 heures.
- N'utilisez jamais la débroussailleuse avec la partie qui se trouve entre 12 et 2 heures.
- N'appliquez jamais la lame de la débroussailleuse contre des matériaux solides, tels que buissons et sous-bois, dont le diamètre est supérieur à 3 cm, autrement la débroussailleuse sera repoussée avec force, risquant de causer une blessure.

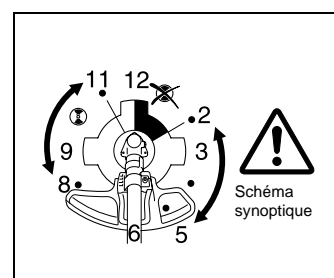
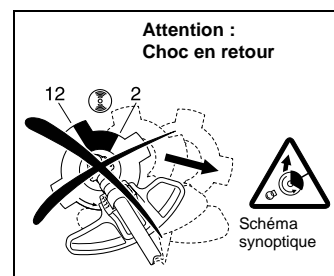
### Prévention des chocs en retour

#### Pour éviter tout choc en retour, n'oubliez pas les points suivants :

- L'utilisation avec la partie de la lame qui se trouve entre 12 et 2 heures présente un risque élevé, tout spécialement lors de l'utilisation d'un outil tranchant en métal.
- Les coupes avec la partie de la lame qui se trouve entre 11 et 12 heures, et entre 2 et 5 heures, ne doivent être effectuées que par des utilisateurs expérimentés, et ceci à leurs propres risques. Il est possible d'effectuer une coupe facile et presque sans risque de choc en retour avec la partie de la lame qui se trouve entre 8 et 11 heures.

### Outils tranchants

Utilisez uniquement l'outil tranchant approprié.



## Instructions d'entretien

- L'état de la débroussailleuse ou du taille-bordures doit être vérifié avant l'utilisation, tout particulièrement celui de l'outil tranchant, des dispositifs de protection et de la bandoulière. Vous devez porter une attention particulière à la lame, qui doit être bien affûtée.
  - Coupez le moteur de l'outil et retirez le connecteur de la bougie d'allumage lorsque vous remplacez ou affûtez les outils tranchants, ainsi que lorsque vous nettoyez l'outil ou l'outil tranchant.
  - Utilisez la débroussailleuse ou le taille-bordures en évitant de faire trop de bruit et en évitant le plus possible de polluer l'environnement. En particulier, assurez-vous que la carburateur est bien réglé.
  - Nettoyez régulièrement la débroussailleuse ou le taille-bordures, et assurez-vous que toutes les vis et écrous sont bien serrés.
  - Ne réparez et ne rangez jamais la débroussailleuse ou le taille-bordures à proximité de flammes nues.
  - Rangez toujours la débroussailleuse ou le taille-bordures dans une pièce fermée à clé, après avoir vidé son réservoir de carburant.
  - N'effectuez aucune modification sur la débroussailleuse ou le taille-bordures, car votre sécurité serait alors compromise.
  - Les travaux d'entretien et de réparation à effectuer par l'utilisateur se limitent à ceux décrits dans le présent manuel d'instructions. Tout autre travail doit être effectué par un réparateur autorisé. Utilisez exclusivement les pièces de rechange et accessoires authentiques fournis par MAKITA. Les risques d'accident seront plus élevés si vous utilisez des accessoires et outils non homologués.
- MAKITA décline toute responsabilité quant à tout accident ou dommage causé par l'utilisation d'outils tranchants, de dispositifs de fixation d'outils tranchants ou d'accessoires non homologués.

## Premiers secours

Assurez-vous que la trousse de premiers secours est disponible à proximité de la zone de travaux de coupe, en cas d'accident.

## DONNÉES TECHNIQUES

| MODÈLE                             | BCM2310/CA  | BCM2610/CA                  | BCM2600 | BCM3310/CA                  | BCM3300 |
|------------------------------------|---|-----------------------------|---------|-----------------------------|---------|
| Poids à sec                        | 5,7 kg  | 5,7 kg                      | 6,5 kg  | 6,5 kg                      | 7,3 kg  |
| Moteur                             | TLE23FD-TBM/TBD   | TLE26FD-TBM/TBD             |         | TLE33FD-TBM/TBD             |         |
| Alésage X course                   | 31 x 30 mm  | 33 x 30 mm                  |         | 36 x 32 mm                  |         |
| Déplacement                        | 22,6 cm <sup>3</sup>  | 25,6 cm <sup>3</sup>        |         | 32,6 cm <sup>3</sup>        |         |
| Sortie maximale                    | 0,7 kW (0,94 HP)/8000 t/min   | 0,8 kW (1,07 HP)/8000 t/min |         | 0,97 kW (1,3 HP)/7500 t/min |         |
| Carburant                          | Mélange d'essence et d'huile de graissage (rapport 50 : 1)          |                             |         |                             |         |
| Huile de graissage                 | Huile FC pour moteur à deux temps                                   |                             |         |                             |         |
| Capacité du réservoir de carburant | 0,6 litre   |                             |         | 0,8 litre                   |         |
| Bougie d'allumage                  | NGK BPMR8Y  |                             |         |                             |         |
| Carburateur                        | Type de diaphragme (avec 2 canalisations, pour l'air et le mélange) |                             |         |                             |         |

| Tuyau principal          | Arbre d'entraînement                | Flexible/Rigide                                   | Rigide                                 |              |     |
|--------------------------|-------------------------------------|---|--|--------------|-----|
|                          |                                     | Diamètre  | 7 mm (partie creuse de 5 mm)           |              |     |
|                          | Extrémité supérieure                | Cannelure à flancs en développante (7 x 7 x 0,75) |  |              |     |
|                          | Extrémité inférieure                |   |  |              |     |
|                          | Tube                                | Type  | Droit                                  |              |     |
|                          |                                     | Diamètre  | 25,4 mm                                |              |     |
|                          |                                     | Épaisseur de la paroi                             | 1,5 mm                                 |              |     |
|                          |                                     | Longueur  | 1 500 mm                               |              |     |
|                          |                                     | Finition  | Argent anodisé                         |              |     |
|                          | Roulements                          | Type  | Bague en bronze entourée de caoutchouc |              |     |
| Tête de débroussailleuse | Type                                | "Tap and Go"                                      | N/D                                    | "Tap and Go" | N/D |
|                          | Diam. extérieur                     | 105 mm  |  | 105 mm       |     |
|                          | Taille de ligne                     | 2,4 mm  |  | 2,4 mm       |     |
| Carter d'engrenage       | Taille de l'alésage                 | M10LH FEM   |  |              |     |
|                          | Rapport d'engrenage                 | 14/19   |  | 17/21        |     |
| Bloc d'embrayage         | Anti-vibrations                     | Oui   |  |              |     |
|                          | Roulements                          | 2   |  |              |     |
|                          | Diam. du tambour                    | 54 mm   |  | 78 mm        |     |
| Commande des gaz         | Surmoulée                           | Oui   |  |              |     |
|                          | Rotation à vide en première vitesse | Oui   |  |              |     |
| Crochet                  | Type                                | Fixe  |  |              |     |

| MODÈLE       |                | BCM2310/CA     | BCM2610/CA     | BCM2600                 | BCM3310/CA     | BCM3300                 |
|--------------|----------------|----------------|----------------|-------------------------|----------------|-------------------------|
| Protecteur   | Type           | Herbe          |                | Lame à mauvaises herbes | Herbe          | Lame à mauvaises herbes |
|              | Diam. d'andain | 41 cm (16 po.) | 43 cm (17 po.) | N/D                     | 43 cm (17 po.) | N/D                     |
| Poignée      | Type           | Boucle         |                | en U                    | Boucle         | en U                    |
|              | Écran          | N/D            |                |                         |                |                         |
|              | Surmoulée      | Oui (noir)     |                | N/D                     | Oui (noir)     | N/D                     |
| Bandoulière  | Type           | Simple         |                |                         |                | Double                  |
| Jeu d'outils |                | Oui            |                |                         |                |                         |
| Lame         | Taille         | N/D            |                | 23 cm (9 po.)           | N/D            | 23 cm (9 po.)           |
|              | Type           |                |                | Quadruple               |                | Quadruple               |
| Porte-lame   |                | N/D            |                | Oui                     | N/D            | Oui                     |

## ASSEMBLAGE DE LA POIGNÉE

### ATTENTION :

Avant d'effectuer tout travail sur la débroussailleuse ou le taille-bordures, coupez toujours le moteur de l'outil et retirez le connecteur de la bougie d'allumage.

Portez toujours des gants de travail.

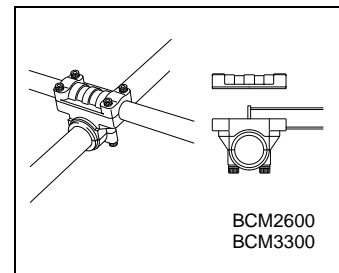


### ATTENTION :

Démarrez le moteur de la débroussailleuse ou du taille-bordures après vous être assuré que toutes les pièces y sont bien assemblées.

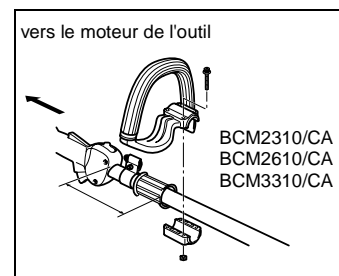
### Pour les modèles à poignée en U

- Placez la fixation métallique de la poignée de sorte que la poignée à levier de commande se trouve du côté droit (celui de la poignée à prise pour main droite), telle que vue du côté du moteur de l'outil, et que l'autre poignée se trouve du côté gauche.
- Alignez la rainure de la pièce de fixation de la poignée sur l'extrémité de la poignée. Immobilisez la pièce métallique avec les boulons à douille hexagonale fournis.
- Ajustez la position de la poignée pour assurer une utilisation facile et confortable, puis serrez fermement les quatre (4) boulons à douille hexagonale de manière uniforme à droite et à gauche, avec la clé fournie.



### Pour les modèles à poignée en boucle

- Posez un écran du côté gauche de l'outil, avec la poignée de protection.
- N'ajustez pas la position de la poignée en boucle trop près du manche de commande.
- La poignée doit demeurer à plus de 250 mm du crochet.

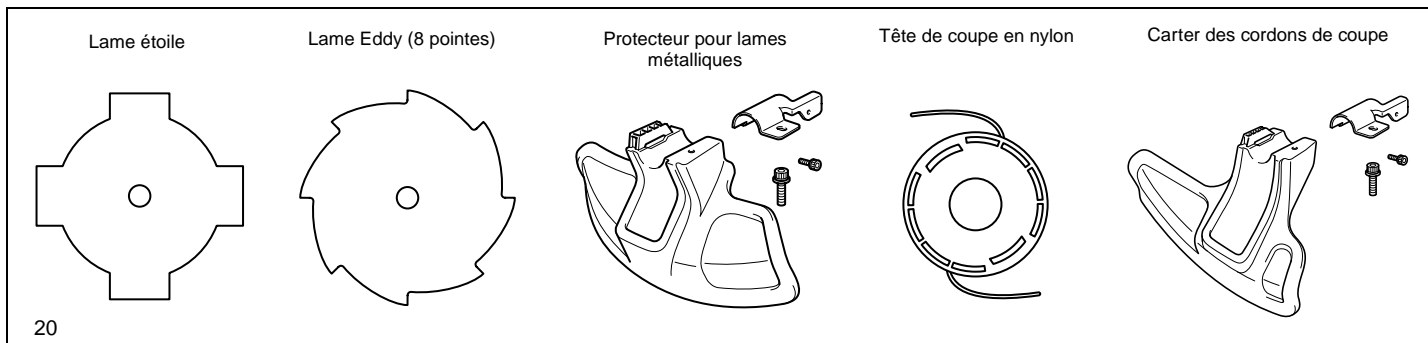


## ASSEMBLAGE DU PROTECTEUR

Pour que les consignes de sécurité qui s'appliquent soit respectées, seules les combinaisons outil/protecteur décrites dans le tableau doivent être utilisées.

**Utilisez du sécateur des lames ou têtes de coupe en nylon authentiques MAKITA.**

La lame du sécateur doit être bien affûtée et exempte de fissures ou bris. Si la lame frappe contre un caillou pendant l'utilisation, coupez le moteur de l'outil et vérifiez immédiatement la lame.



Affûtez ou remplacez la lame du sécateur toutes les trois (3) heures d'utilisation.

Si la tête de coupe en nylon frappe contre un caillou pendant l'utilisation, coupez le moteur de l'outil et vérifiez immédiatement la tête de coupe.

### ATTENTION :

Le protecteur de lame approprié doit toujours être installé pour assurer votre propre sécurité et la conformité aux règlements établis pour la prévention des accidents.

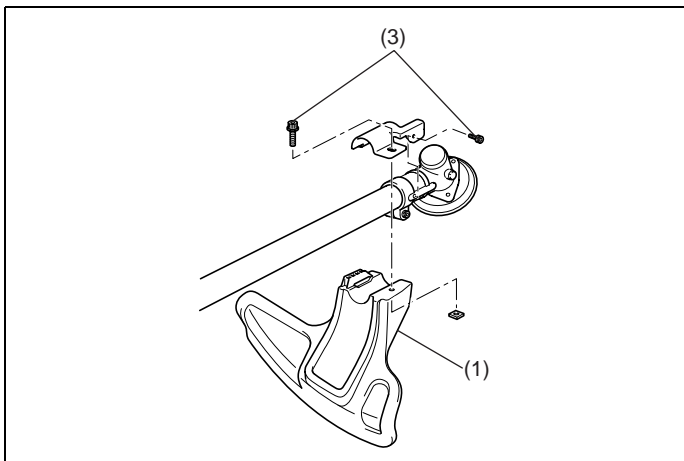
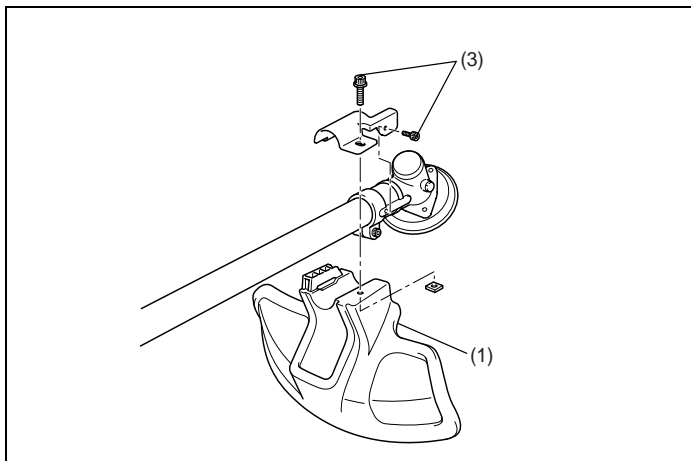
L'utilisation de l'outil sans son carter de sécurité est interdite.

**Pour les modèles BCM2600 et BCM3300**

Fixez le protecteur (1) au dispositif de serrage (3) avec deux boulons.

**Pour les modèles BCM2310/CA, BCM2610/CA et BCM3310/CA**

Fixez le protecteur (1) au dispositif de serrage (3) avec deux boulons.



**ASSEMBLAGE DE LA LAME DU SÉCATEUR OU DE LA TÊTE DE COUPE EN NYLON**

Mettez la débroussailluse ou le taille-bordures à l'envers et remplacez la lame du sécateur ou la tête de coupe en nylon.



**- Installation de la lame du sécateur**

Montez le sécateur (A) sur la rondelle du récepteur (B).

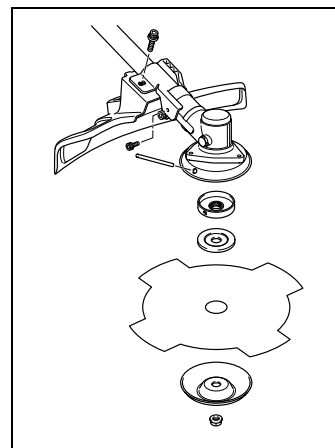
Assurez-vous que la lame du sécateur (A) est centrée et à plat.

Le guide de la rondelle du récepteur (B) doit pénétrer dans l'orifice central de la lame du sécateur (A).

Installez la rondelle de serrage (C), en plaçant le centre surélevé à l'écart de la lame du sécateur (A).

Insérez la broche de retenue (D) dans la fente du couvercle à herbes (E) et tournez la rondelle de réception (B) jusqu'à ce qu'elle se verrouille avec la broche de retenue (D). Installez ensuite le protecteur d'écrou (F) et l'écrou de lame (G) dans le carter d'engrenage, et tournez vers la gauche en serrant fermement.

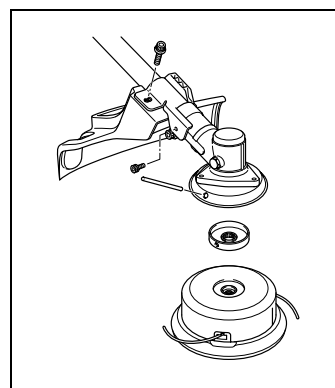
Note : Portez toujours des gants pour manipuler la lame du sécateur.



**- Installation de la tête de coupe en nylon**

Installez la rondelle de réception (A) dans le carter d'engrenage.

Insérez la broche de retenue (B) dans la fente du couvercle à herbes (C) et tournez la rondelle de réception (A) jusqu'à ce qu'elle se verrouille avec la broche de retenue (B). Placez ensuite la tête de coupe en nylon (D) sur la rondelle de réception (A) et tournez la tête de coupe en nylon (D) vers la gauche en serrant fermement.





## CARBURANTS/REPLISSAGE

### Manipulation du carburant

La plus grande prudence s'impose lorsque vous manipulez le carburant. Les carburants peuvent contenir des substances dissolvantes. Effectuez le remplissage dans une pièce bien aérée ou à l'extérieur.

Évitez d'inhaler les vapeurs de carburant, et de laisser le carburant ou l'huile entrer en contact avec la peau.

Les produits à base d'huile minérale dégraissent la peau. La peau se dessèche en cas de contact répété et prolongé avec ces substances. Diverses maladies de la peau peuvent en résulter. De plus, certaines réactions allergiques peuvent se produire. Les yeux peuvent être irrités au contact de l'huile. Si l'huile pénètre dans vos yeux, rincez-les immédiatement à l'eau claire. Si l'irritation des yeux persiste, consultez immédiatement un médecin.

### Mélange de carburant et d'huile

Cette débroussailleuse (ce taille-bordures) est activé(e) par un moteur à deux temps très performant, alimenté par un mélange de carburant et d'huile à moteur deux temps. Le moteur est conçu pour l'essence sans plomb utilisée par les véhicules automobiles, avec un indice d'octane de 87 ou plus.

Pour le graissage du moteur, ajoutez au carburant n'importe quelle huile à moteur deux temps de marque classée ISO-L-EGD ou JSAO-FC. L'utilisation de tout autre type d'huile réduira la durée de service du moteur et nécessitera davantage de travaux d'entretien.

Il est impératif de respecter le rapport de 50 : 1 (avec l'huile à moteur deux temps spécifiée ci-dessus), autrement le fonctionnement fiable de la débroussailleuse (ou du taille-bordures) n'est pas garanti.

Mélange de carburant adéquat ( 50 : 1 )

| Essence       | Huile           |
|---------------|-----------------|
| 1 gallon (US) | 2,6 oz          |
| 1 litre       | 20 cc (20 ml)   |
| 5 litres      | 100 cc (100 ml) |

Note :

Lors de la préparation du mélange d'essence et d'huile, mélangez d'abord toute l'huile dans la moitié de la quantité d'essence requise, puis ajoutez le reste de l'essence. Brassez bien le mélange avant de le verser dans le réservoir de la débroussailleuse (ou du taille-bordures). Il n'est pas recommandé d'ajouter plus d'huile à moteur que la quantité spécifiée pour assurer la sécurité du fonctionnement. Il en résulterait simplement une plus grande production de résidus de combustion, ce qui polluerait l'environnement et boucherait la sortie d'échappement dans le cylindre, ainsi que le silencieux. De plus, la consommation de carburant augmenterait et le rendement diminuerait.

### Remplissage

Suivez les instructions sur la manière adéquate de procéder, à la page 20.

### Rangement du carburant

Il n'est pas possible de ranger le carburant indéfiniment.

N'achetez que la quantité nécessaire pour 4 semaines d'utilisation. Utilisez exclusivement des contenants à carburant homologués.



Respectez les consignes de sécurité à la page 20.

## COMMENT TENIR L'OUTIL

### Fixation de la bandoulière

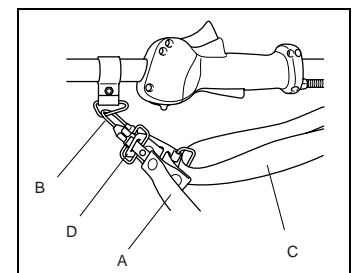
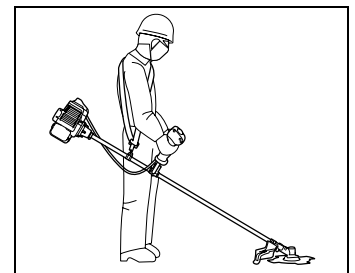
Portez toujours la bandoulière et réglez la longueur de la bande de sorte que la lame du sécateur demeure parallèle au sol.

### Retrait

La bandoulière est équipée d'un loqueteau facile à déverrouiller. En cas d'urgence, tirez sur la bande rouge (A) pour détacher l'outil et l'éloigner de vous. Soyez alors très prudent, pour éviter de perdre le contrôle de l'outil. Prenez garde que l'outil ne dévie vers vous ou vers une autre personne se trouvant à proximité.

MISE EN GARDE : Il y a risque de blessure grave ou de décès en cas de perte de maîtrise partielle de l'outil.

Pour réassembler les pièces, retirez l'agrafe-ressort (B) de l'outil, placez l'extrémité ouverte sur la boucle de la bandoulière (C) puis insérez la lame de dégagement (D).



## POINTS IMPORTANTS POUR L'UTILISATION, ET FAÇON D'ARRÊTER L'OUTIL

Respectez les règlements établis pour la prévention des accidents.

### Démarrage

Éloignez-vous d'au moins 3 mètres de l'endroit où vous avez effectué le remplissage. Posez l'outil sur une surface plane et sans obstacles, de sorte que la lame n'entre pas en contact avec le sol ou tout autre objet.



### Démarrage à froid

#### Pour les modèles à poignée en U ou à poignée en boucle

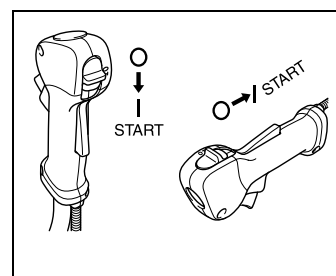
- Déplacez le commutateur (1) sur la position "I".
- Appuyez doucement sur la pompe d'amorçage (A) de 8 à 10 fois.
- Réglez le levier de l'étrangleur (B) sur la position "CHOKE" (C).

Note :

Enfoncez le verrou de sécurité de la gâchette (E) avant d'appuyer sur la gâchette.

- Appuyez sur la gâchette (F) jusqu'en position plein gaz et tenez-la, puis placez le commutateur (1) en position "START" et relâchez la gâchette (F).
- Tirez sur le démarreur jusqu'à ce que le moteur de l'outil essaie de tourner (ne tirez pas plus de 6 fois).
- Réglez le levier de l'étrangleur à mi-course.
- Tirez sur le démarreur jusqu'à ce que le moteur de l'outil tourne.

Laissez le moteur de l'outil tourner pendant 30 à 45 secondes en position "START" (pour le réchauffer), puis déplacez le levier de l'étrangleur sur la position "RUN" (D).



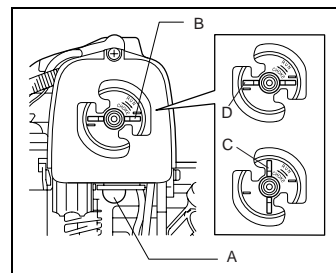
### Démarrage à chaud (redémarrage du moteur de l'outil)

- Réglez le levier de l'étrangleur (B) sur la position "RUN" (D).

Note :

Il n'est pas nécessaire d'appuyer sur la gâchette ou de régler le verrou du levier à gaz lorsque le moteur de l'outil est chaud.

- Tirez sur la corde du démarreur jusqu'à ce que le moteur de l'outil tourne.



## ARRÊT

Relâchez complètement la gâchette (F), et poussez le commutateur (1) en position "O" pour couper le moteur de l'outil.

N'oubliez pas que la lame peut continuer de tourner un instant et qu'il faut attendre son arrêt complet.

## RÉGLAGE DE LA VITESSE DE ROTATION À VIDE

Le moteur de votre outil MAKITA a été réglé en usine pour assurer des performances optimales et une consommation de carburant minimale. Il ne nécessite donc aucun réglage supplémentaire.

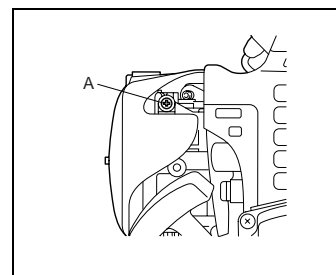
Certains réglages mineurs peuvent toutefois être nécessaires suivant les conditions atmosphériques et climatiques de la région où vous vous trouvez.

### Vérification de la vitesse de rotation à vide

La vitesse de rotation à vide doit être réglée entre 2800 et 3300 t/min. Si nécessaire, réglez la vitesse de rotation à vide au moyen d'un tachymètre. Prenez note que la lame ou la tête de coupe en nylon ne doit pas tourner lorsque le moteur de l'outil tourne à vide.

Réglage de la vitesse de rotation à vide (t/min). Pour cela, tournez la vis de vitesse de rotation à vide (A) vers la droite (pour augmenter la vitesse du moteur) ou vers la gauche (pour la réduire).

Si la vitesse de rotation à vide du moteur de l'outil n'est toujours pas correcte après le réglage, informez-vous auprès du revendeur Makita le plus près pour faire vérifier l'outil.



## RAFFÛTAGE DE L'OUTIL TRANCHANT

ATTENTION :

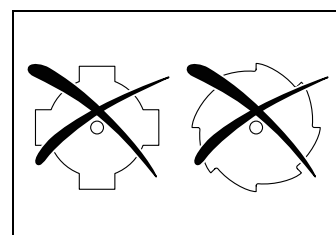
Les lames mentionnées ci-dessous ne doivent être raffûtées que par un centre de services autorisé. La raffûtage manuel résulterait en une lame déséquilibrée, causant des vibrations anormales et des dommages à l'outil.

- Lame du sécateur : lame étoile (4 pointes), lame Eddy (8 pointes)

Les centres de service après-vente autorisés fournissent un service professionnel de raffûtage et d'équilibrage.

NOTE :

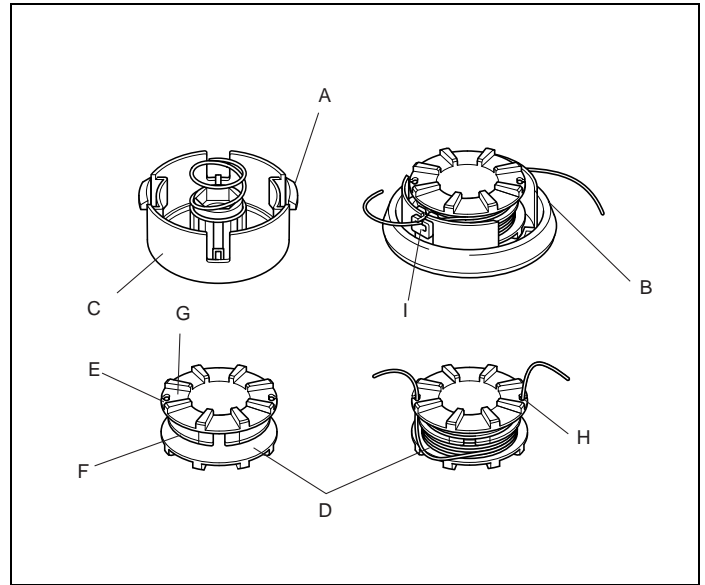
Afin d'allonger la durée de service la lame du sécateur mentionnée ci-dessus, elle peut être installée dans l'autre sens lorsque le tranchant est émoussé d'un côté.



## TÊTE DE COUPE EN NYLON

### Remplacement du cordon de nylon

1. Coupez d'abord le moteur de l'outil.  
Poussez les verrous du carter (A) vers l'intérieur pour soulever le couvercle (B). Retirez ensuite la bobine (D).
2. Retirez de la bobine le bout de cordon de nylon inutile, le cas échéant.
3. Coupez un bout de cordon de nylon d'une longueur d'environ 7,5 m (25 pi.).
4. Accrochez le centre de ce nouveau cordon de nylon à l'entaille (F) pratiquée au centre de la bobine, de sorte qu'un des bouts du cordon soit environ 80 mm (3 à 3-1/8 po.) plus long que l'autre. Embobinez ensuite fermement le cordon autour de la bobine par les deux bouts, dans le sens de rotation de la tête.
5. Après avoir embobiné le cordon, placez temporairement les deux bouts dans les entailles (H). Laissez dépasser de l'encoche un bout de cordon d'environ 100 mm (4 po.).
6. Posez la bobine dans le couvercle. Retirez des entailles (H) les bouts de cordon, puis placez ces derniers dans les oeillets métalliques (I) du couvercle.
7. Montez la bobine (avec le couvercle) dans le carter, de sorte que les rainures et parties saillantes de la bobine s'alignent sur celles du carter (C). Poussez ensuite fermement le couvercle dans le carter pour l'y fixer.



## INSTRUCTIONS POUR LA RÉPARATION

Avant d'effectuer tout travail d'entretien sur la débroussailleuse ou le taille-bordures, coupez toujours le moteur de l'outil et retirez la fiche de la bougie d'allumage.

Portez toujours des gants de travail.

N'essayez pas de retirer le lanceur à rappel vous-même. Il y a risque d'accident. Vous devez confier ce travail à un réparateur autorisé.

Pour assurer une durée de service prolongée et pour éviter tout dommage à l'outil, les travaux de réparation qui suivent doivent être effectués à intervalles réguliers.



### Inspection et entretien quotidien

Avant l'utilisation, assurez-vous qu'aucune vis n'est desserrée et qu'il ne manque aucune pièce sur l'outil. Assurez-vous tout particulièrement que l'outil tranchant est bien serré.

Avant l'utilisation, assurez-vous également que rien ne bouche la canalisation d'air de refroidissement et les ailettes du cylindre. Si nécessaire, nettoyez-les.

Effectuez les travaux suivants après chaque utilisation :

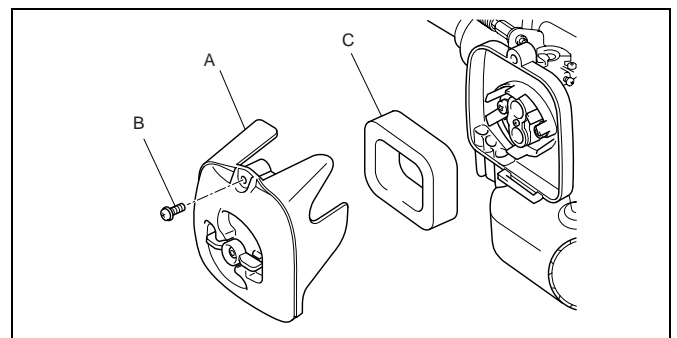
- Nettoyez la surface extérieure de l'outil et vérifiez l'absence de tout dommage.
- Nettoyez le filtre à air. Si vous travaillez dans des conditions très poussiéreuses, nettoyez le filtre plusieurs fois par jour.
- Assurez-vous que la lame ou la tête de coupe en nylon n'a subi aucun dommage et est solidement montée.
- Assurez-vous qu'il y a une différence suffisante entre la vitesse de rotation à vide et la vitesse d'embrayage. Assurez-vous que l'outil tranchant ne tourne pas lorsque le moteur de l'outil est en position de rotation à vide.
- Vérifiez le fonctionnement du commutateur d'alimentation, du levier de sécurité et du bouton de verrouillage.

### Nettoyage du filtre à air

- Retirez la vis (B).
- Retirez le couvercle du filtre à air (A). Enlevez le filtre à air (C) et nettoyez-le dans une solution d'eau savonneuse tiède. Laissez sécher le filtre à air parfaitement.
- Une fois le filtre à air nettoyé, remettez son couvercle en place et serrez-le avec la vis.

Note :

Nettoyez le filtre à air tous les jours si une trop grande quantité de poussières ou de saletés y adhère. Un filtre à air bouché peut rendre difficile ou impossible le démarrage du moteur de l'outil, ou le faire tourner plus vite.



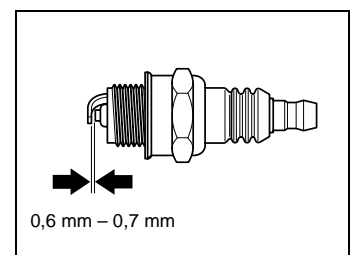
### Vérification de la bougie d'allumage

Utilisez exclusivement la clé combinée fournie pour retirer ou installer la bougie d'allumage.

L'espace libre entre les deux électrodes de la bougie d'allumage doit être de 0,6 à 0,7 mm (0,024 à 0,028 po.). Ajustez cet espace libre s'il est trop grand ou trop petit. Si la bougie d'allumage est recouverte de carbone ou encrassée, nettoyez-la parfaitement ou remplacez-la.

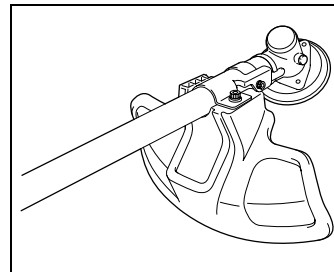
ATTENTION :

Ne touchez jamais le connecteur de la bougie d'allumage pendant que le moteur de l'outil tourne (il y a risque de choc électrique à haute tension).



### Graissage du carter d'engrenage

Graissez le carter d'engrenage (avec de l'huile Shell Albania 3 ou équivalente) par l'orifice de graissage toutes les 30 heures d'utilisation.



### Crépine d'aspiration du réservoir de carburant

Le filtre à carburant (A) de la crépine d'aspiration sert à filtrer le carburant acheminé vers le carburateur. Il est fortement suggéré d'effectuer régulièrement l'inspection visuelle de ce filtre à carburant.

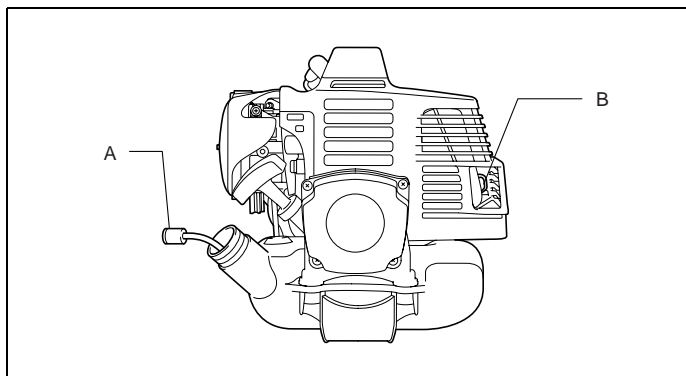
Pour inspecter le filtre à carburant, ouvrez le bouchon du réservoir et retirez la crépine d'aspiration par l'ouverture du réservoir, au moyen d'un crochet métallique.

Vous devez remplacer le filtre s'il est dur, sale ou bouché.

Une alimentation déficiente en carburant entraînera la détérioration du filtre, causant un mauvais rendement du moteur de l'outil. Il est donc important de remplacer le filtre à carburant au moins tous les trois mois, pour assurer l'alimentation adéquate en carburant vers le carburateur.

### Nettoyage de l'orifice de sortie du silencieux

Vérifiez régulièrement l'orifice de sortie du silencieux (B). S'il est bouché par des dépôts de carbone, détachez ces derniers soigneusement à l'aide d'un outil adéquat.



### RANGEMENT

Si vous prévoyez ranger la débroussailleuse ou le taille-bordures pour une période prolongée :

1. Videz complètement le réservoir de carburant dans un contenant à essence homologué. Faites tourner le moteur de l'outil jusqu'à ce qu'il s'arrête.
2. Nettoyez l'outil pour en retirer tout corps étranger, et rangez-le dans un endroit bien aéré et hors de portée des enfants.

## HORAIRE D'ENTRETIEN

|                           |   |   |
|---------------------------|---|---|
| Généralités               | Pièces du moteur de l'outil, vis et écrous  | Vérifier visuellement l'absence de dommages et de vis ou écrous mal serrés<br>Vérifier l'état général et la sécurité de l'outil |
| Après chaque remplissage  | Levier de commande<br>Commutateur d'alimentation  | Vérification du fonctionnement<br>Vérification du fonctionnement  |
| Chaque jour               | Filtre à air<br>Conduit d'air de refroidissement<br>Outil tranchant<br>Vitesse de rotation à vide | À nettoyer<br>À nettoyer<br>Vérifier l'absence de dommages et le bon affûtage<br>Inspecter (l'outil tranchant ne tourne pas)    |
| Chaque semaine            | Bougie d'allumage<br>Silencieux   | Inspecter et remplacer si nécessaire<br>Vérifier et nettoyer l'ouverture si nécessaire  |
| Tous les trois mois       | Crépine d'aspiration<br>Réservoir de carburant  | À remplacer<br>À nettoyer   |
| Annuellement (Long terme) | Réservoir de carburant<br>Carburateur   | Vider le réservoir de carburant<br>Faire tourner jusqu'à ce que le moteur de l'outil s'arrête                                   |

## TABLEAU DE DÉPANNAGE

| Problème   | Système                   | Observation                                    | Cause  |
|--|---------------------------|--|--|
| Le moteur de l'outil ne démarre pas ou démarre difficilement | Dispositif d'allumage     | L'étincelle de démarrage se produit            | Problème d'alimentation en carburant ou de système de compression, vice mécanique  |
|  |                           | Pas d'étincelle d'allumage                     | Activation du commutateur d'alimentation, mauvais câblage ou court-circuit, bougie d'allumage ou connecteur défectueux, module d'allumage défectueux   |
|  | Alimentation en carburant | Réservoir de carburant plein                   | Levier de l'étrangleur en mauvaise position, carburateur défectueux, conduit d'alimentation en carburant plié ou bouché, carburant sale  |
|  | Compression               | Pas de compression lorsque tirée               | Joint inférieur du cylindre défectueux, dispositifs d'étanchéité du vilebrequin endommagés, cylindre ou segments de piston défectueux, ou mauvais scellement de la bougie d'allumage.        |
|  | Vice mécanique            | Le démarreur ne s'enclenche pas                | Ressort cassé dans le démarreur, pièces cassées dans le moteur de l'outil  |
| Problème de démarrage à chaud                                |                           | Réservoir plein<br>Étincelle d'allumage        | Carburateur encrassé ou endommagé. Nettoyer ou remplacer.  |
| Le moteur de l'outil démarre mais s'arrête aussitôt          | Alimentation en carburant | Réservoir plein                                | Mauvais réglage de la vitesse de rotation à vide<br>Carburateur encrassé<br>Réservoir défectueux, conduit d'alimentation en carburant coupé, câble ou commutateur d'alimentation défectueux. |
| Rendement inférieur  | Divers systèmes           | Le moteur de l'outil ne tourne pas bien à vide | Le filtre à air est encrassé, le carburateur est encrassé, le silencieux est bouché, la conduite de sortie du cylindre est bouchée   |

## ESPAÑOL

Muchas gracias por la adquisición de la desbrozadora/cortabordes MAKITA. Nos complace recomendarle la desbrozadora/cortabordes MAKITA que es el resultado de un largo programa de desarrollo y muchos años de conocimiento y experiencia. Lea este folleto para conocer en detalle los diferentes puntos que demuestran su extraordinario rendimiento. Además le ayudará a sacarle el mejor partido posible a su desbrozadora/cortabordes MAKITA.



### Índice

|   |    |
|---|----|
| SÍMBOLOS.....   | 33 |
| INSTRUCCIONES DE SEGURIDAD .....                        | 34 |
| DATOS TÉCNICOS.....                                     | 36 |
| MONTAJE DEL ASIDERO .....                               | 38 |
| MONTAJE DEL PROTECTOR.....                              | 38 |
| MONTAJE DEL DISCO O EL CABEZAL DEL CORDÓN DE NYLON .... | 39 |
| COMBUSTIBLE/REPOSTAJE .....                             | 40 |
| MANEJO CORRECTO DE LA MÁQUINA.....                      | 40 |
| PUNTOS A TENER EN CUENTA                                |    |
| EN LA OPERACIÓN Y CÓMO PARAR.....                       | 41 |
| AFILADO DEL IMPLEMENTO DE CORTE .....                   | 41 |
| INSTRUCCIONES DE MANTENIMIENTO.....                     | 42 |
| ALMACENAMIENTO.....                                     | 43 |

### – CALIFORNIA SOLAMENTE –

**Declaraciones de garantía sobre el sistema de control de emisiones de MAKITA U.S.A. Inc. (Makita) y el California Air Resources Board (Consejo de Recursos Atmosféricos de California) (derechos y obligaciones del propietario para la garantía contra defectos)**

En interés del medio ambiente, los motores Makita que cumplen estrictos requisitos de control de emisiones están marcados con etiqueta. "Este pequeño motor off-road cumple con los Reglamentos para el Control de Emisiones de California de 2000 y posterior".

### DECLARACIÓN DE GARANTÍA SOBRE EL CONTROL DE EMISIONES DE CALIFORNIA: DERECHOS Y OBLIGACIONES DEL PROPIETARIO PARA LA GARANTÍA

El Consejo de Recursos Atmosféricos de California y Makita se complacen en explicar la garantía del sistema de control de emisiones de su pequeño motor off-road. En California, los nuevos motores off-road pequeños tienen que estar diseñados, fabricados y equipados de forma que cumplan con las estrictas normas anticontaminantes del estado. Makita deberá garantizar el sistema de control de emisiones de su motor por los periodos indicados a continuación siempre y cuando el pequeño motor off-road no sea usado con abuso, negligencia o mantenimiento incorrecto.

El sistema de control de emisiones incluye partes tales como el carburador, el filtro de aire, el sistema de ignición, el depósito de combustible, el silenciador y el convertidor catalítico. También puede incluir conectores y otros componentes relacionados con las emisiones.

Cuando exista una condición que pueda cubrir la garantía, Makita reparará su pequeño motor off-road sin coste alguno, incluyendo el diagnóstico, las partes de repuesto y la mano de obra.

### Cobertura de la garantía de MAKITA U.S.A. Inc.

El sistema de control de emisiones tiene dos años de garantía. Si alguna parte de su motor está defectuosa, Makita reparará o reemplazará dicha parte.

### Responsabilidades del propietario para la garantía

Como propietario del pequeño motor off-road, usted es responsable de realizarle el mantenimiento requerido que se indica en el manual de instrucciones.

Makita recomienda que conserve todos los recibos que cubran el mantenimiento de su pequeño motor off-road, pero Makita no podrá negar la garantía solamente por falta de recibos ni por su imposibilidad de garantizar la realización de todo el programa de mantenimiento.

Como propietario del pequeño motor off-road, deberá, sin embargo, tener en cuenta que Makita podrá negar la cobertura de la garantía si su pequeño motor off-road o alguna parte ha fallado debido a un abuso, negligencia o mantenimiento incorrecto, o modificaciones no aprobadas.

Usted es responsable de presentar su pequeño motor off-road a un taller de servicio autorizado o fabricante de equipos al que Makita venda motores tan pronto como se presente el problema. Las reparaciones cubiertas por la garantía deberán ser completadas en un periodo de tiempo razonable, que no exceda de 30 días. Si tiene alguna pregunta relacionada con la cobertura de su garantía, deberá contactar con:

\* Para localizar el centro de servicio Makita más cercano, le rogamos que visite [www.makitatools.com](http://www.makitatools.com)

\* Para soporte técnico o preguntas relacionadas con la operación de nuestras herramientas y accesorios, llame al: 1-800-4-MAKITA

\* Makita USA Inc. Corporate Office : 14930 Northam St. La Mirada, CA 90638-5753

### Disposiciones de la garantía de MAKITA U.S.A. Inc. contra defectos en el control de emisiones

Las siguientes son disposiciones específicas relacionadas con la cobertura de la garantía contra defectos en el control de emisiones. Esto es una adición a la garantía del motor Makita para motores no regulados que aparecen en el manual de instrucciones.

#### 1. Partes cubiertas por la garantía

La cobertura de esta garantía incluye solamente aquellas partes que se enumeran a continuación (las partes del sistema de control de emisiones) en la medida que dichas partes estuvieran presentes en el motor adquirido.

- Sistemas de medición del combustible
- Carburador y pieza internas
- Sistema de enriquecimiento para arranque en frío (Estrangulación Suave)
- Filtro de combustible (hasta el primer cambio programado)
- Manguera de entrada de combustible
- Manguera de salida de combustible
- Sistema de inducción de aire
- Filtro de aire (Elemento)
- Sistema de ignición
- Bujía(s)
- Sistema de ignición por magneto
- Depósito de combustible
- Sistema catalítico o reactor térmico
- Convertidor catalítico

#### 2. Vigencia de la cobertura

Makita garantiza al propietario inicial y a cada propietario subsiguiente que las partes garantizadas estarán libres de defectos en material y en mano de obra, que ocasionen fallos de las partes garantizadas durante un periodo de dos años a partir de la fecha que el motor sea entregado al comprador minorista.

#### 3. No habrá cargos

La reparación o reemplazo de cualquier parte garantizada se realizará sin cargo alguno para el propietario, incluyendo la mano de obra de diagnóstico que derive en la determinación de que una parte garantizada está defectuosa, si la labor de diagnóstico se realiza en un taller de servicio de fabricante de equipos autorizado al que Makita venda motores.

#### 4. Reclamaciones y exclusiones de cobertura

Las reclamaciones vinculadas con la garantía se presentarán conforme a las disposiciones de la garantía del motor Makita. La cobertura de la garantía se excluirá para aquellos fallos de partes garantizadas que no sean partes originales de Makita o debido a abuso, negligencia o mantenimiento incorrecto, según se establece en la Póliza de garantía del motor Makita. Makita no es responsable por la cobertura de fallos de partes garantizadas ocasionados por el uso de partes adicionales no originales o modificadas.

## 5. Mantenimiento

Cualquier parte garantizada cuyo reemplazo no esté programado como mantenimiento requerido o que esté programada únicamente para inspección frecuente con el fin de "reparar o reemplazar conforme sea necesario", estará garantizada en cuanto a defectos por el periodo de la garantía. Cualquier parte garantizada cuyo reemplazo esté programado como mantenimiento requerido tendrá solamente una garantía contra defectos únicamente por el periodo hasta el primer reemplazo programado para esa parte. Se podrá utilizar cualquier parte de repuesto que tenga un rendimiento y durabilidad equivalentes, al realizar cualquier actividad de mantenimiento o reparación. El propietario es responsable de realizar todo el mantenimiento requerido, según se define en el manual de instrucciones Makita.

## 6. Cobertura consiguiente

La cobertura bajo la presente se ampliará al fallo de cualquier componente del motor provocado por un fallo en cualquier parte garantizada que siga gozando de la cobertura de la garantía.

## COBERTURA DE LA GARANTÍA POR DEFECTOS EN LOS COMPONENTES DE EMISIONES

MAKITA U.S.A. Inc. (MAKITA) garantiza al comprador al por menor inicial y a cada propietario subsiguiente, que en el momento de su venta inicial, este equipo estaba diseñado, fabricado y equipado conforme a todos los reglamentos aplicables de la Agencia para la Protección del Medio Ambiente (EPA) de los Estados Unidos de América, y que el motor está libre de defectos en materiales y mano de obra que pudieran hacer que este motor no cumpliera con los reglamentos de la EPA durante el periodo de garantía.

En cuanto a los componentes que aparecen en PIEZAS CUBIERTAS POR LA GARANTÍA, el agente de servicio autorizado por MAKITA realizará de forma totalmente gratuita el diagnóstico, la reparación o recambio necesario para asegurar que el motor cumple con los reglamentos aplicables de la EPA de los Estados Unidos de América.

## PERIODO DE GARANTÍA POR DEFECTOS EN LOS COMPONENTES DE EMISIONES

El periodo de garantía para este motor comienza la fecha de venta al comprador inicial y continúa por un periodo de 2 años.

## PARTES CUBIERTAS POR LA GARANTÍA

A continuación se muestra una lista de las partes cubiertas por la garantía por defectos en los componentes de emisiones. Es posible que algunas de las partes que aparecen a continuación requieran mantenimiento programado y la garantía sólo las cubrirá hasta el primer plazo de recambio programado para esa pieza.

- (1) Sistema de medición del combustible
  - (i) Carburador y piezas internas
  - (ii) Filtro de combustible, si es aplicable.
  - (iii) Retén del acelerador, si es aplicable.
  - (iv) Sistema de estrangulación, si es aplicable.
- (2) Sistema de entrada de aire
  - (i) Placa del filtro de aire
  - (ii) Caja del filtro de aire
- (3) Sistema de encendido
  - (i) Bujías.
  - (ii) Magneto de volante
  - (iii) Bobina de encendido
- (4) Elementos misceláneos empleados en los sistemas indicados arriba
  - (i) Mangueras de combustible, abrazaderas y juntas de estanqueidad

## OBTENCIÓN DEL SERVICIO DE GARANTÍA

Para obtener el servicio de garantía, lleve el motor al Centro de servicio de fábrica MAKITA o Centro de servicio autorizador por MAKITA más cercano. Lleve consigo los recibos de compra indicando la fecha de adquisición de este motor. El agente de servicio autorizado por MAKITA realizará las reparaciones o ajustes necesarios dentro de un tiempo razonable y le entregará una copia de las reparaciones realizadas. Todas las piezas y accesorios sustituidos dentro de esta garantía pasan a ser propiedad de MAKITA.

## QUÉ NO CUBRE LA GARANTÍA

- Condiciones derivadas de una manipulación peligrosa, uso indebido, ajuste incorrecto (a menos que fueran hechos por el agente de servicio autorizado por MAKITA durante una reparación cubierta por la garantía), alteración, accidente, no utilizar el combustible y el aceite recomendados o no realizar los servicios de mantenimiento requeridos.
  - Las piezas de recambio empleadas en los servicios de mantenimiento requeridos.
  - Daños indirectos, tales como pérdida de tiempo, inconveniencia, pérdida de utilización del motor o equipo, etc.
  - Costes de diagnóstico e inspección que no entren dentro del servicio de garantía que esté realizándose.
  - Cualquier pieza de recambio no autorizada o funcionamiento defectuoso de piezas autorizadas debido a un empleo de piezas no autorizadas.

## RESPONSABILIDADES DEL PROPIETARIO DE LA GARANTÍA

Como propietario del motor, usted es responsable de la realización del mantenimiento requerido indicado en el manual de instrucciones. MAKITA recomienda que guarde todos los recibos sobre el mantenimiento del motor, pero MAKITA no puede negarle la garantía por el solo hecho de no presentar los recibos ni por no asegurarse de realizar todo el mantenimiento programado. Sin embargo, como propietario del motor, deberá tener en cuenta que MAKITA podrá negarle la garantía si el motor o una pieza falla debido a un abuso, negligencia, mantenimiento incorrecto o modificaciones no permitidas.

Es su responsabilidad llevar el motor al agente de servicio más cercano autorizado por MAKITA cuando ocurra un problema.

Si tiene alguna pregunta relacionada con sus derechos y responsabilidades de la garantía, deberá ponerse en contacto con:

\* Para localizar el centro de servicio Makita más cercano, le rogamos que visite [www.makitatools.com](http://www.makitatools.com)

\* Para soporte técnico o preguntas relacionadas con la operación de nuestras herramientas y accesorios, llame al: 1-800-4-MAKITA

\* Makita USA Inc. Corporate Office : 14930 Northam St. La Mirada, CA 90638-5753

(Para Canadá)

\* Para localizar el centro de servicio autorizado más cercano, le rogamos que se refiera al listín telefónico de páginas amarillas local bajo "tools" (herramientas), o que se ponga en contacto con el departamento de atención al cliente llamando al número de teléfono 1-800-263-3734 (Canadá solamente), o que visite nuestra página Web [www.makita.ca](http://www.makita.ca)

\* Makita Canada Inc. Head Office & Plant : 1950 Forbes Street, Whitby, ON L1N 7B7

## COSAS QUE DEBE SABER ACERCA DE LA GARANTÍA DEL SISTEMA DE CONTROL DE EMISIONES:

### MANTENIMIENTO Y REPARACIONES

Usted es responsable del debido mantenimiento del motor. Debe guardar todos los recibos y comprobantes del mantenimiento regular realizado por si algún día los necesita.

Estos recibos y comprobantes del mantenimiento realizado deberán ser transferidos a cada uno de los subsiguientes propietarios del motor. MAKITA se reserva el derecho a denegar la cobertura de la garantía si el motor no ha sido mantenido debidamente. Sin embargo, las reclamaciones de garantía no serán denegadas por el solo hecho de no haber realizado el mantenimiento requerido o no guardar los comprobantes del mantenimiento.

EL MANTENIMIENTO, REEMPLAZO O LAS REPARACIONES DE LOS DISPOSITIVOS Y SISTEMAS DE CONTROL DE EMISIONES PODRÁN SER REALIZADOS POR CUALQUIER ESTABLECIMIENTO DE REPARACIONES O INDIVIDUO; SIN EMBARGO, LAS REPARACIONES CUBIERTAS POR LA GARANTÍA DEBERÁN SER REALIZADAS POR UN AGENTE DE SERVICIO AUTORIZADO POR MAKITA. EL EMPLEO DE PIEZAS QUE NO SEAN EQUIVALENTES EN RENDIMIENTO Y DURABILIDAD A LAS PIEZAS AUTORIZADAS PODRÁ MALOGRAR LA EFICACIA DEL SISTEMA DE CONTROL DE EMISIONES E INFLUIR A LA HORA DE SOLICITAR UNA RECLAMACIÓN DE GARANTÍA.

Si para los recambios de mantenimiento o reparación de componentes que afectan al control de emisiones se emplean piezas distintas a las autorizadas por MAKITA, deberá asegurarse que dichas piezas están garantizadas por el fabricante de las mismas como piezas equivalentes a las piezas autorizadas por MAKITA tanto en rendimiento como en durabilidad.

## **CÓMO HACER UNA RECLAMACIÓN**

Todas las reparaciones cubiertas por esta garantía limitada deberán ser realizadas por un agente de servicio autorizado por MAKITA. En el caso de encontrar alguna parte defectuosa relacionada con las emisiones durante el periodo de garantía, deberá notificarlo a MAKITA en los puntos de contacto siguientes para que le aconsejen sobre el distribuidor o proveedores de servicio de garantía apropiados donde podrán ser realizadas las reparaciones cubiertas por la garantía.

\* Para localizar el centro de servicio Makita más cercano, le rogamos que visite [www.makitatools.com](http://www.makitatools.com)

\* Para soporte técnico o preguntas relacionadas con la operación de nuestras herramientas y accesorios, llame al: 1-800-4-MAKITA

\* Makita USA Inc. Corporate Office : 14930 Northam St. La Mirada, CA 90638-5753

(Para Canadá)

\* Para localizar el centro de servicio autorizado más cercano, le rogamos que se refiera al listín telefónico de páginas amarillas local bajo "tools" (herramientas), o que se ponga en contacto con el departamento de atención al cliente llamando al número de teléfono 1-800-263-3734 (Canadá solamente), o que visite nuestra página Web [www.makita.ca](http://www.makita.ca)

\* Makita Canada Inc. Head Office & Plant : 1950 Forbes Street, Whitby, ON L1N 7B7



# SÍMBOLOS

Cuando lea el manual de instrucciones se percatará de los símbolos siguientes.

|   |  |  |   |
|---|--|--|---|
|    | Lea el manual de instrucciones   |     | Póngase protección para los ojos y oídos (para el cortabordes solamente)                        |
|    | Preste cuidado y atención especiales   |     | Póngase casco de protección y protección para los ojos y oídos (para la desbrozadora solamente) |
|    | Prohibido  |    | No utilice discos metálicos (para el cortabordes solamente)                                     |
|    | Mantenga la distancia  |     | Velocidad máxima permitida para el implemento   |
|    | Peligro de objetos volantes  |     | Mezcla de combustible y aceite  |
|    | No fumar   |     | Arranque manual del motor   |
|   | No acercar una llama   |    | Parada de emergencia  |
|  | Se deben utilizar guantes de protección  |   | Primeros auxilios   |
|  | Retroceso brusco   |  | Reciclado   |
|  | Mantenga el área de trabajo despejada de personas y animales domésticos  |   | ENCENDIDO/INICIO  |
|  | Póngase botas robustas con suelas antideslizantes. Se recomienda utilizar botas con protección delantera de acero. |   | APAGADO/PARADA  |

## INSTRUCCIONES DE SEGURIDAD

### Instrucciones generales

- Para asegurar una operación correcta, el usuario ha de leer este manual de instrucciones con objeto de familiarizarse con el manejo de la desbrozadora/cortabordes. Los usuarios poco informados supondrán un peligro para ellos mismos y también para otros debido a un manejo incorrecto.
- Sólo se recomienda prestar la desbrozadora/cortabordes a personas que hayan demostrado que tienen experiencia con la misma. Preste también siempre el manual de instrucciones.
- Los usuarios novatos deberán solicitar instrucciones básicas al distribuidor para familiarizarse con el manejo de cualquier cortador motorizado.
- La utilización de la desbrozadora/cortabordes no deberá permitirse a niños ni personas menores de 18 años. Sin embargo, las personas mayores de 16 años de edad pueden utilizarla, pero solamente por motivos de aprendizaje bajo la estricta supervisión de una persona cualificada.
- Utilice la desbrozadora/cortabordes con el máximo cuidado y atención.
- Utilice la desbrozadora/cortabordes sólo si está en buena condición física. Realice todo el trabajo con calma y cuidado. El usuario tiene que aceptar responsabilidad por daños que pueda ocasionar a otros.
- No utilice nunca la desbrozadora/cortabordes después de consumir alcohol, drogas ni si se siente cansado o enfermo.

### Uso previsto para la máquina

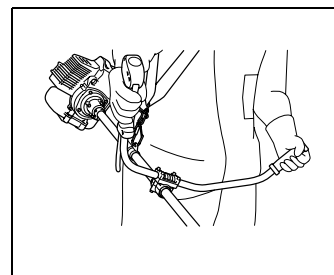
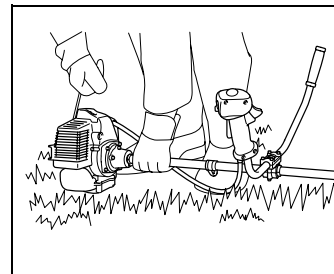
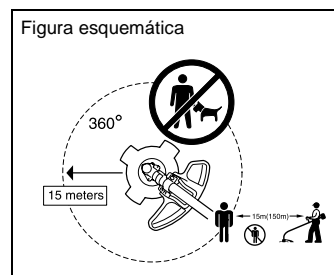
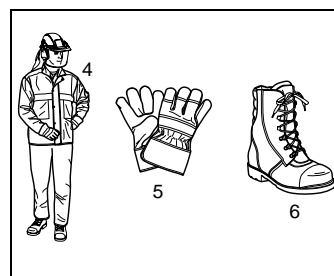
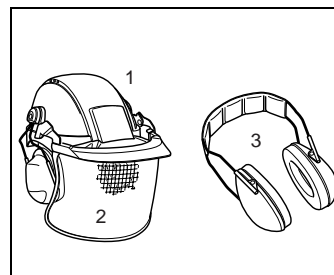
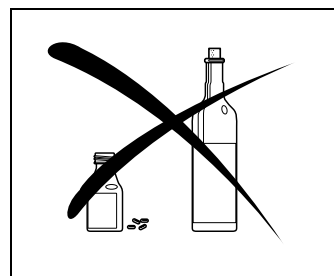
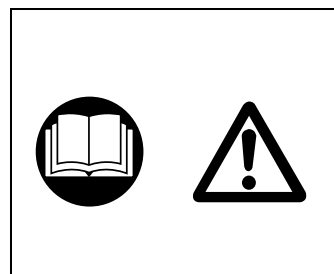
La desbrozadora/cortabordes sólo ha sido prevista para cortar hierba, maleza, arbustos, brozas. No debe ser utilizada con ninguna otra finalidad, tal como corte de rebordes o setos, porque puede ocasionar heridas.

### Equipo de protección personal

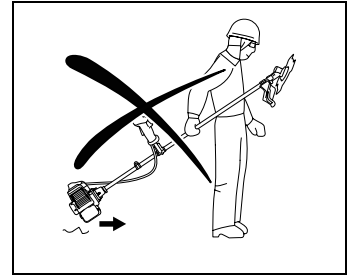
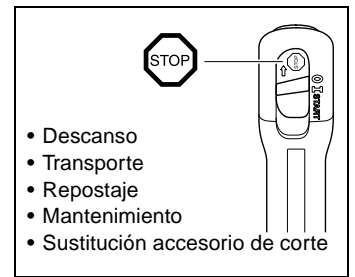
- La vestimenta utilizada deberá ser funcional y apropiada, es decir, deberá ser ceñida pero sin ocasionar trabas. No se ponga joyas ni ropa que puedan engancharse con arbustos o matorjos.
- Para evitar heridas en la cabeza, los ojos, las manos o pies, así como para proteger los oídos, deberá utilizar el equipo de protección y ropa de protección siguientes durante la operación de la desbrozadora/cortabordes.
- Póngase siempre casco donde exista el riesgo de que caigan objetos. El casco de protección (1) debe ser inspeccionado a intervalos regulares para ver si está dañado y sustituido a los 5 años como máximo. Utilice solamente cascos de protección homologados.
- La pantalla facial (2) del casco (o gafas) protegen la cara contra desechos y piedras que salen volando. Durante la utilización de la desbrozadora/cortabordes, póngase siempre gafas de seguridad o una pantalla facial para proteger los ojos contra heridas.
- Póngase equipo de protección apropiado contra el ruido para evitar el deterioro auditivo (orejeras (3), tapones para los oídos, etc.).
- El overol de trabajo (4) protege contra las piedras y desechos que salen volando. Se recomienda encarecidamente ponerse overol de trabajo.
- Póngase siempre guantes especiales (5) hechos de cuero grueso durante la operación de la desbrozadora/cortabordes.
- Cuando utilice la desbrozadora/cortabordes, póngase siempre botas robustas (6) con suela antideslizante para protegerse contra heridas y asegurar una buena estabilidad.

### Arranque de la desbrozadora

- Asegúrese de que no haya niños ni otras personas dentro de un área de trabajo de 15 metros, preste también atención a cualquier animal en los alrededores del área de trabajo.
- Antes de cada uso, siempre compruebe que la desbrozadora/cortabordes puede utilizarse con seguridad. Compruebe la seguridad de utilización del implemento de corte, que la palanca de control se acciona fácilmente y que el bloqueo de la palanca de control funciona debidamente.
- No está permitido que el implemento de corte gire cuando el motor está al ralentí. Consulte con su distribuidor para el ajuste. Compruebe que los asideros están limpios y secos y pruebe el funcionamiento del interruptor de puesta en marcha/parada.
- Ponga en marcha la desbrozadora/cortabordes solamente como se indica en las instrucciones ofrecidas en este manual. No utilice ningún otro método para arrancar el motor.
- Utilice la desbrozadora/cortabordes y los accesorios de corte solamente para las aplicaciones especificadas.
- Ponga en marcha el motor de la desbrozadora/cortabordes solamente después de haber ensamblado el motor entero. Solamente está permitido utilizar la máquina después de haber instalado todos los accesorios apropiados.
- Antes de comenzar, asegúrese de que el implemento de corte no está en contacto con objetos duros como ramas, piedras, etc., porque gira cuando se pone en marcha.
- En caso de producirse cualquier problema en el motor habrá que apagarlo inmediatamente.
- Pare inmediatamente motor e inspeccione el implemento de corte si golpea piedras u otros objetos duros.
- Inspeccione el implemento de corte a intervalos regulares cortos para ver si está dañado (detecte las grietas finas golpeando ligeramente y observando cambios en el sonido).
- Utilice la desbrozadora/cortabordes solamente con la correa de bandolera provista. Deberá ajustarla de forma debida antes de utilizar la desbrozadora/cortabordes. Ajuste la correa de bandolera según el tamaño de su corpulencia para no fatigarse durante la operación. No sujete nunca la desbrozadora/cortabordes con una sola mano durante su utilización.
- Durante la operación, sujete siempre la desbrozadora/cortabordes con ambas manos. Asegúrese siempre de que pisa suelo firme.
- Utilice la desbrozadora/cortabordes de tal manera que no respire los gases de escape. No tenga nunca en marcha el motor en habitaciones cerradas (existe riesgo de intoxicación). El monóxido de carbono es un gas inodoro.
- Apague el motor cuando no esté utilizando la desbrozadora/cortabordes, y póngala en un lugar seguro para evitar poner en peligro a otros o dañar la máquina.
- No ponga nunca la desbrozadora/cortabordes encima de hierba seca ni ningún otro material combustible cuando está caliente.
- La desbrozadora/cortabordes tiene que estar siempre equipada con un protector apropiado.

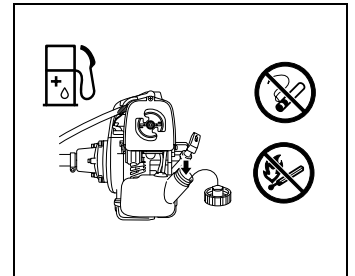


- Durante la operación deberán utilizarse todas las instalaciones de protección y protectores provistos con la desbrozadora/cortabordes.
- No tenga nunca en marcha el motor con el silenciador del escape defectuoso.
- Pare el motor durante el transporte.
- Durante el transporte a largas distancias siempre debe utilizarse la protección del implemento de corte.
- Durante el transporte en automóvil asegúrese de que la desbrozadora/cortabordes está en posición segura para evitar que se fugue el combustible.
- Antes de transportar la desbrozadora/cortabordes asegúrese de que el depósito de combustible está completamente vacío.
- Cuando descargue la desbrozadora/cortabordes de una camioneta, nunca deje caer el motor al suelo porque podrá dañarse seriamente el depósito de combustible.
- Cuando vaya a mover la máquina, levántela del suelo agarrando siempre la unidad entera. Tirar del depósito de combustible es sumamente peligroso porque podrá dañarlo y producirse fugas de combustible, pudiendo ocasionar un incendio.



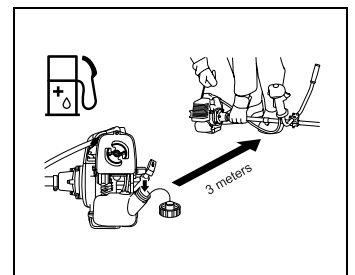
### Repostaje

- Pare siempre el motor durante el repostaje, manténgase alejado de llamas y no fume.
- Póngase siempre guantes de protección durante el repostaje. Cambie y lave la ropa de protección a intervalos regulares.
- Tenga cuidado de no derramar combustible ni aceite para proteger el medio ambiente. Limpie la desbrozadora/cortabordes inmediatamente si derrama combustible.
- Evite todo contacto del combustible con sus ropas. Cámbiese de ropa inmediatamente si derrama combustible en ellas para evitar que cojan fuego.
- Inspeccione regularmente el tapón del depósito de combustible para asegurarse de que está bien cerrado y no tiene fugas.
- Apriete siempre firmemente el tapón del depósito de combustible. Cambie de lugar para encender el motor (alejado al menos 3 metros del lugar de repostaje).
- No reposte nunca en habitaciones cerradas. El vapor de combustible se acumula y puede ocasionar una explosión.
- Solamente transporte y almacene el combustible en recipientes homologados. Asegúrese de que los niños no puedan entrar al lugar donde esté almacenado el combustible.



### Método de operación

- Utilice la desbrozadora/cortabordes solamente con buena iluminación y visibilidad. En la estación de invierno, esté siempre al tanto de áreas resbaladizas o mojadas, del hielo y la nieve. Asegúrese de que pisa suelo firme.
- No corte nunca por encima de la altura de la cintura.
- No utilice nunca la desbrozadora/cortabordes estando subido en una escalera.
- No utilice nunca la desbrozadora/cortabordes subido en árboles.
- No trabaje nunca sobre superficies inestables.
- Quite la arena, piedras, clavos, etc., de dentro del área de trabajo. Los materiales extraños pueden dañar el implemento de corte y ocasionar peligrosos retrocesos bruscos.
- El implemento de corte deberá haber alcanzado plena velocidad de trabajo antes de ponerlo en contacto con la hierba.



### Retroceso brusco

- Cuando se utiliza la desbrozadora, puede producirse un retroceso brusco incontrolable.
- Este es el caso particular cuando se intenta cortar con el implemento de corte en un segmento de entre las 12 y las 2 del reloj.
- No utilice nunca la desbrozadora dentro de un segmento de entre las 12 y las 2 del reloj.
- No utilice nunca la desbrozadora para cortar objetos sólidos como arbustos y árboles, etc., que tengan un diámetro superior a 3 cm porque se torcerá con gran fuerza con el riesgo de producirle heridas.

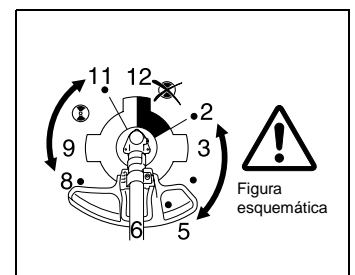
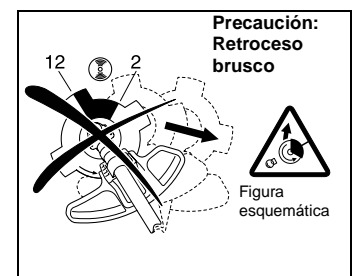
### Prevención contra los retrocesos bruscos

#### Para evitar un retroceso brusco, asegúrese de hacer lo siguiente:

- La operación con el implemento de corte dentro de un segmento de entre las 12 y las 2 del reloj representa un riesgo seguro, especialmente utilizando implementos de corte metálicos.
  - Las operaciones de corte con el implemento de corte dentro de un segmento de entre las 11 y las 12 del reloj, y de entre las 2 y las 5 del reloj, solamente deben ser realizadas por personas capacitadas y con experiencia, y aun así sólo por su cuenta y riesgo.
- Es posible cortar sin apenas riesgo de que se produzca un retroceso brusco con el implemento de corte dentro de un segmento de entre las 8 y las 11 del reloj.

### Implementos de corte

Utilice solamente los implementos de corte correctos.



## Instrucciones de mantenimiento

- Antes de la operación se debe comprobar la condición de la desbrozadora/cortabordes, en particular el implemento de corte, los dispositivos de protección y también la correa de bandolera. Se debe prestar atención especial al disco de corte que deberá estar correctamente afilado.
- Pare el motor y extraiga el conector de la bujía cuando vaya a sustituir o afilar el implemento de corte y también cuando vaya a limpiar la máquina o el implemento de corte.
- Utilice la desbrozadora/cortabordes con el mínimo ruido y contaminación posibles. En particular, compruebe el ajuste correcto del carburador.
- Limpie la desbrozadora/cortabordes regularmente y asegúrese de que todos los tornillos y tuercas estén bien apretados.
- No haga nunca el mantenimiento ni almacene la desbrozadora/cortabordes cerca de llamas.
- Almacene siempre la desbrozadora/cortabordes en habitaciones cerradas y con el depósito de combustible vacío.
- No realice ninguna modificación en la desbrozadora/cortabordes porque pondrá en peligro su seguridad.
- Los trabajos de mantenimiento y reparación por parte del usuario están limitados a únicamente aquellos descritos en este manual de instrucciones. Todos los demás trabajos deberán ser realizados por un agente de servicio autorizado. Utilice solamente piezas de repuesto y accesorios genuinos suministrados por MAKITA.

La utilización de accesorios e implementos no homologados aumenta el riesgo de accidentes.

MAKITA no aceptará ninguna responsabilidad por accidentes o daños ocasionados por la utilización de implementos de corte y dispositivos de fijación de los implementos de corte o accesorios no homologados.

## Primeros auxilios

Asegúrese de que hay disponible un botiquín de primeros auxilios cerca de donde se realizan las operaciones de corte para en caso de accidente.

## DATOS TÉCNICOS

| MODELO                                | BCM2310/CA   | BCM2610/CA               | BCM2600 | BCM3310/CA                | BCM3300 |
|---------------------------------------|--|--------------------------|---------|---------------------------|---------|
| Peso en seco                          | 5,7 kg   | 5,7 kg                   | 6,5 kg  | 6,5 kg                    | 7,3 kg  |
| Motor                                 | TLE23FD-TBM/TBD  | TLE26FD-TBM/TBD          |         | TLE33FD-TBM/TBD           |         |
| Calibre y carrera                     | 31 x 30 mm   | 33 x 30 mm               |         | 36 x 32 mm                |         |
| Cilindrada                            | 22,6 cm <sup>3</sup>                                   | 25,6 cm <sup>3</sup>     |         | 32,6 cm <sup>3</sup>      |         |
| Potencia máxima                       | 0,7 kW (0,94 HP)/8000 rpm                              | 0,8 kW (1,07HP)/8000 rpm |         | 0,97 kW (1,3 HP)/7500 rpm |         |
| Combustible                           | Mezcla de gasolina y aceite lubricante (relación 50:1) |                          |         |                           |         |
| Aceite lubricante                     | Aceite de motor de dos tiempos FC                      |                          |         |                           |         |
| Capacidad del depósito de combustible | 0,6 litros   |                          |         | 0,8 litros                |         |
| Bujía                                 | NGK BPMR8Y   |                          |         |                           |         |
| Carburador                            | Tipo diafragma (con 2 conductos para aire y mezcla)    |                          |         |                           |         |

|                                  |                                 |                             |                                  |                             |     |
|----------------------------------|---------------------------------|-----------------------------|----------------------------------|-----------------------------|-----|
| Tubo principal                   | Eje de accionamiento            | Flexible/rígido             | Rígido                           |                             |     |
|                                  |                                 | Diámetro                    | 7 mm hueco (5 mm)                |                             |     |
|                                  |                                 | Extremo superior            | Ranura en espiral (7 x 7 x 0,75) |                             |     |
|                                  |                                 | Extremo inferior            |                                  |                             |     |
|                                  | Tubo                            | Tipo                        | Recto                            |                             |     |
|                                  |                                 | Diámetro                    | 25,4 mm                          |                             |     |
|                                  |                                 | Grosor de la pared          | 1,5 mm                           |                             |     |
|                                  |                                 | Longitud                    | 1.500 mm                         |                             |     |
|                                  |                                 | Acabado                     | Anodizado de plata               |                             |     |
|                                  | Cojinetes                       | Tipo                        | Casquillo de bronce en caucho    |                             |     |
| Cabezal de la cuerda             | Tipo                            | Golpear ligeramente y listo | N/A                              | Golpear ligeramente y listo | N/A |
|                                  | Diámetro exterior               | 105 mm                      |                                  | 105 mm                      |     |
|                                  | Tamaño de la línea              | 2,4 mm                      |                                  | 2,4 mm                      |     |
| Conjunto de engranajes           | Tamaño del eje portaherramienta | M10LH FEM                   |                                  |                             |     |
|                                  | Relación de engranajes          | 14/19                       |                                  | 17/21                       |     |
| Conjunto de la caja del embrague | Antivibración                   | Sí                          |                                  |                             |     |
|                                  | Número de cojinetes             | 2                           |                                  |                             |     |
|                                  | Diám del tambor                 | 54 mm                       |                                  | 78 mm                       |     |
| Control del acelerador           | Sobremoldeado                   | Sí                          |                                  |                             |     |
|                                  | Ralentí en primera              | Sí                          |                                  |                             |     |
| Colgador                         | Tipo                            | Fijo                        |                                  |                             |     |

| MODELO                        |                   | BCM2310/CA          | BCM2610/CA          | BCM2600            | BCM3310/CA          | BCM3300            |
|-------------------------------|-------------------|---------------------|---------------------|--------------------|---------------------|--------------------|
| Protector                     | Tipo              | Hierba              |                     | Disco para hierba  | Hierba              | Disco para hierba  |
|                               | Diámetro de corte | 41 cm (16 pulgadas) | 43 cm (17 pulgadas) | N/A                | 43 cm (17 pulgadas) | N/A                |
| Conjunto del asidero          | Tipo              | Redondo             |                     | en U               | Redondo             | en U               |
|                               | Barrera           | N/A                 |                     |                    |                     |                    |
|                               | Sobremoldeado     | Sí (Negro)          |                     | N/A                | Sí (Negro)          | N/A                |
| Banda de hombro               | Tipo              | Sencilla            |                     |                    |                     | Doble              |
| Juego de implementos de corte |                   | Sí                  |                     |                    |                     |                    |
| Implemento de corte           | Tamaño            | N/A                 |                     | 23 cm (9 pulgadas) | N/A                 | 23 cm (9 pulgadas) |
|                               | Tipo              |                     |                     | Cuadruple          |                     | Cuadruple          |
| Porta implemento de corte     |                   | N/A                 |                     | Sí                 | N/A                 | Sí                 |

## MONTAJE DEL ASIDERO

### PRECAUCIÓN:

Antes de realizar cualquier trabajo en la desbrozadora/cortabordes, pare siempre el motor y extraiga el conector de la bujía.

Póngase siempre guantes de protección.

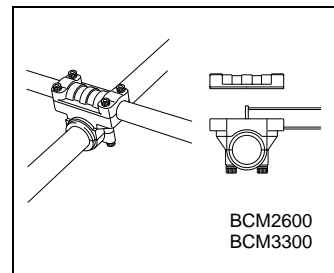
### PRECAUCIÓN:

Arranque el motor de la desbrozadora/cortabordes después de asegurarse de que está ensamblado completamente.



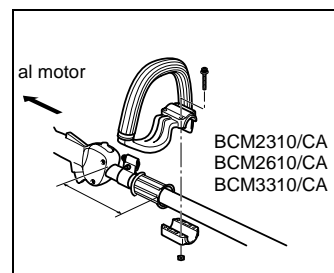
### Para máquinas del modelo con asideros en U

- Coloque el metal de fijación del asidero de forma que el asidero con la palanca de control quede posicionado a la derecha (el lado del asidero de la mano derecha) visto desde el lado del motor, y el otro asidero en el lado izquierdo.
- Encaje la ranura del material de fijación del asidero en el extremo del asidero. Encaje el metal colocado con los pernos de cabeza hueca hexagonal suministrados.
- Ajuste la posición del asidero de forma que la operación resulte fácil y cómoda, y después apriete firme y uniformemente en la derecha e izquierda los cuatro (4) pernos de cabeza hueca hexagonal con la llave provista.



### Para máquinas con asidero redondo

- Fije una barrera al lado izquierdo de la máquina junto con el asidero de protección del operario.
- No ajuste la posición del asidero redondo demasiado cerca del asidero de control.
- El asidero deberá mantenerse posicionado a una distancia superior a 250 mm del colgador.

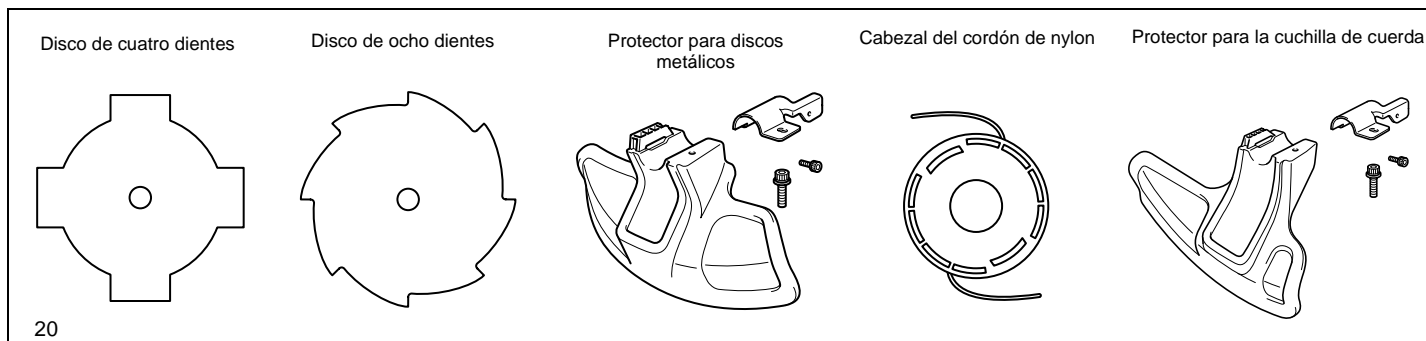


## MONTAJE DEL PROTECTOR

Para cumplir con las provisiones de seguridad aplicables, solamente deberán utilizarse las combinaciones de implemento de corte/protector descritas en la tabla.

### Utilice discos de corte y cabezales del cordón de nylon MAKITA genuinos.

El disco de corte debe estar bien afilado y libre de grietas y roturas. Si el disco de corte golpea contra una piedra durante la operación, pare el motor e inspecciónelo inmediatamente.



Afile o sustituya el disco de corte cada tres (3) horas de operación.

Si el cabezal del cordón de nylon golpea contra una piedra durante la operación, pare el motor e inspecciónelo inmediatamente.

### PRECAUCIÓN:

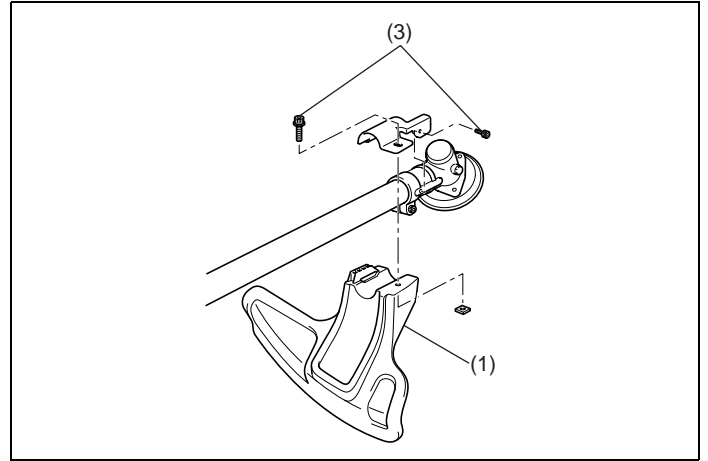
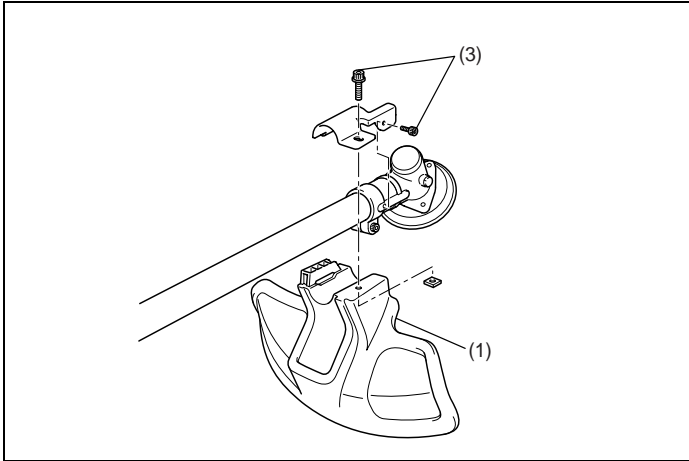
Por su propia seguridad y para cumplir con los reglamentos de prevención de accidentes, deberá estar siempre instalado el protector de disco apropiado. No está permitida la operación sin el protector de seguridad.

**Para # BCM2600 y # BCM3300**

Fije el protector (1) a la abrazadera (3) con dos pernos.

**Para # BCM2310/CA, BCM2610/CA y BCM3310/CA**

Fije el protector (1) a la abrazadera (3) con dos pernos.



**MONTAJE DEL DISCO DE CORTE O CABEZAL DEL CORDÓN DE NYLON**

Dé la vuelta a la desbrozadora/cortabordes y sustituya el disco de corte o el cabezal del cordón de nylon.



**- Instalación del disco de corte**

Monte el disco de corte (A) en la arandela receptora (B).

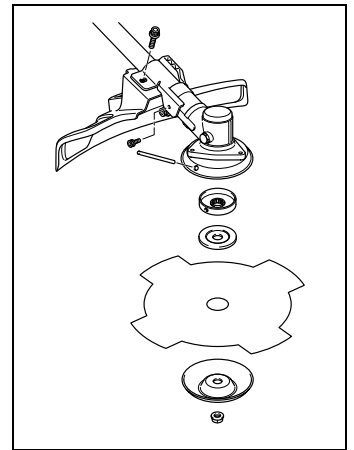
Asegúrese de que el disco de corte (A) esté centrado y descansa plano.

La guía de la arandela receptora (B) debe encajar en el agujero para el eje del disco de corte (A).

Instale la arandela de abrazadera (C) con el centro elevado alejado del disco de corte (A).

Inserte el pasador de retención (D) a través de la ranura de la cubierta de hierba (E) y gire la arandela receptora (B) hasta que quede bloqueada con el pasador de retención (D). Después instale la guarda de arandela (F) y la tuerca del disco (G) en la caja de engranajes y gírela hacia la izquierda para apretarla firmemente.

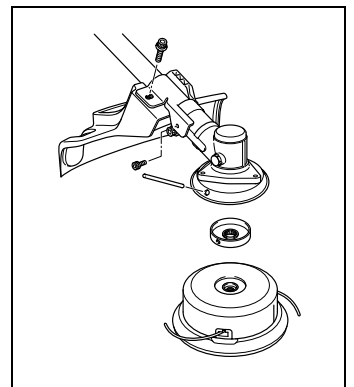
Nota: Póngase siempre guantes cuando maneje el disco de corte.



**- Instalación del cabezal del cordón de nylon**

Instale la arandela receptora (A) en la caja de engranajes.

Inserte el pasador de retención (B) a través de la ranura de la cubierta de hierba (C) y gire la arandela receptora (A) hasta que quede bloqueada con el pasador de retención (B). Después ponga el cabezal del cordón de nylon (D) en la arandela receptora (A) y gire el cabezal del cordón de nylon (D) hacia la izquierda para apretarlo firmemente.



## COMBUSTIBLE/REPOSTAJE

### Manejo del combustible

El manejo del combustible requiere un máximo cuidado. El combustible puede contener sustancias similares a los disolventes. Reposte o bien en una habitación bien ventilada o bien en exteriores.

No respire vapores de combustible y evite cualquier contacto del combustible o aceite con la piel.

Los productos de aceite mineral secan la grasa de la piel. Si su piel entra en contacto con estas sustancias repetidamente y durante largos periodos de tiempo, se deshidratará. Podrán producirse varias enfermedades de la piel. Además, podrán ocurrir reacciones alérgicas. Los ojos pueden irritarse con el contacto con aceite. Si entrase aceite en sus ojos, lávelos inmediatamente con agua limpia. Si los ojos aún siguen irritados, consulte a un médico inmediatamente.

### Mezcla de combustible y aceite

Esta desbrozadora (cortabordes) está accionada por un motor de dos tiempos de alto rendimiento que funciona con una mezcla de combustible y aceite de motores de dos tiempos. El motor ha sido diseñado para gasolina sin plomo destinada para uso automotriz con un octanaje de 87 o superior.

Para el aceite de lubricación, utilice cualquier marca de aceite para motores de 2 tiempos clasificada como grado ISO-L-EGD o JSAO-FC para ser añadida al combustible. La utilización de cualquier otro aceite acortará la vida útil del motor y aumentará el mantenimiento requerido.

Es absolutamente necesario observar la relación de mezcla 50 : 1 (aceite de motor de 2 tiempos especificado arriba), de lo contrario no se puede garantizar la función fiable de la desbrozadora (o cortabordes).

Mezcla de combustible correcta ( 50 : 1 )

| Gasolina         | Aceite          |
|------------------|-----------------|
| 1 galón (EE.UU.) | 2,6 oz.         |
| 1 Litro          | 20 cc ( 20ml )  |
| 5 Litros         | 100cc ( 100ml ) |

Nota:

Cuando haga la mezcla de combustible y aceite, mezcle en primer lugar la cantidad entera de aceite con la mitad del combustible requerido y después añada el combustible restante. Antes de verter la mezcla en el depósito de la desbrozadora (cortabordes), agite vigorosamente la mezcla. Para asegurar una operación segura, no se recomienda añadir más aceite de motor del especificado. Ello resultará en una mayor emisión de residuos de combustión que contaminará el medio ambiente y atascará el canal de escape del cilindro, así como el silenciador. Además, el consumo de combustible aumentará y disminuirá el rendimiento.

### Repostaje

Siga los procedimientos apropiados descritos en la página 35.

### Almacenamiento del combustible

El combustible no puede almacenarse por un periodo ilimitado de tiempo.

Adquiera solamente la cantidad requerida para un periodo de utilización de 4 semanas. Utilice solamente recipientes de almacenamiento de combustible homologados.



Observe las instrucciones de seguridad de la página 35.

## MANEJO CORRECTO DE LA MÁQUINA

### Colocación de la correa de bandolera

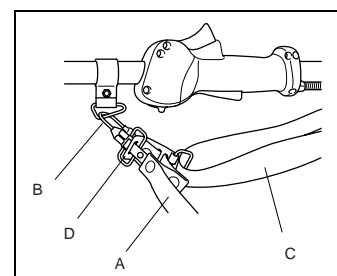
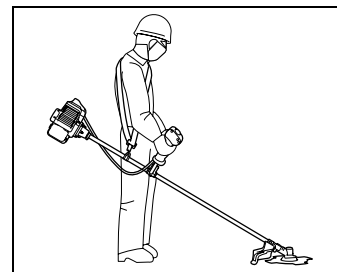
Póngase siempre la correa de bandolera y ajuste la longitud de la misma de forma que el disco de corte se mantenga paralelo con el suelo.

### Para quitarla

La correa de bandolera tiene un seguro de desenganche rápido. En caso de emergencia, tire de la correa roja (A) para soltar la máquina de usted. Tenga sumo cuidado para mantener el control de la máquina en estos casos. No deje que la máquina se tuerza hacia usted ni nadie que esté cerca del área de trabajo.

ADVERTENCIA: Si no mantiene el completo control de la máquina podrá sufrir serias heridas o morir.

Para recomponer, quite la presilla de resorte (B) de la máquina, ponga el extremo abierto sobre la hebilla de la correa (C) y después inserte la placa de desconexión (D).





## PUNTOS A TENER EN CUENTA EN LA OPERACIÓN Y CÓMO PARAR

Siga los reglamentos de prevención de accidentes aplicables.

### Puesta en marcha

Aléjese al menos 3 m del lugar de repostaje. Ponga la máquina sobre una superficie plana y limpia de forma que el disco de corte no esté en contacto con la superficie del suelo ni ningún otro objeto.



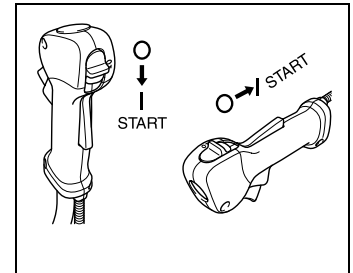
### Arranque en frío

#### Para máquina con asidero en U o redondo

- Mueva el interruptor (1) a la posición "I".
- Apriete suavemente la bomba de cebado (A) entre 8 y 10 veces.
- Ponga la palanca de estrangulación (B) en la posición "CHOKE" (C).

Nota: Presione el bloqueo de seguridad del gatillo (E) antes de apretar el gatillo.

- Apriete el gatillo (F) hasta la posición de aceleración total y reténgalo, después ponga el interruptor (1) en la posición "START" y suelte el gatillo (F).
- Tire del arrancador hasta que el motor intente arrancar (no tire más de 6 veces).
- Ponga la palanca de estrangulación a media posición de estrangulación.
- Tire del arrancador hasta que el motor se ponga en marcha.



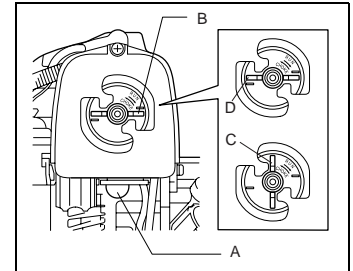
Después de mantener en marcha el motor durante 30 a 45 segundos en la posición "START" (para calentar el motor), mueva la palanca de estrangulación a la posición "RUN" (D).

#### Arranque en caliente (rearranque del motor)

- Ponga la palanca de estrangulación (B) en la posición "RUN" (D).

Nota: Cuando el motor está caliente no es necesario tirar del gatillo ni poner el bloqueo del acelerador.

- Tire de la cuerda de arranque hasta que el motor se ponga en marcha.



## PARADA

Suelte totalmente el gatillo (F), y apriete el interruptor (1) a la posición "O" que parará el motor.

Tenga en cuenta que es posible que el disco de corte no se pare inmediatamente y que tendrá que dejarlo parar completamente.

## AJUSTE DE LA VELOCIDAD AL RALENTÍ

El motor MAKITA ha sido ajustado en fábrica para un rendimiento y consumo de combustible óptimos y no es necesario hacer otros ajustes.

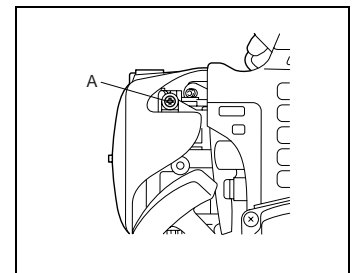
Sin embargo, debido a la variación de las condiciones atmosféricas y climáticas, es posible que necesite realizar algún pequeño ajuste para su área.

### Comprobación de la velocidad al ralentí

La velocidad al ralentí deberá estar ajustada a 2.800 – 3.300 rpm. Si es necesario, ajuste la velocidad al ralentí utilizando un tacómetro para asegurar una velocidad al ralentí apropiada. Tenga en cuenta que el disco de corte o el cabezal del cordón de nylon no deberá girar cuando el motor esté en ralentí.

Ajuste de las rpm en ralentí. Puede realizarse girando el tornillo de velocidad al ralentí (A) hacia la derecha (para aumentar la velocidad del motor) o hacia la izquierda (para reducir la velocidad del motor).

Si el motor no queda al ralentí correcto después de hacer el ajuste, póngase en contacto con el agente de servicio MAKITA más cercano.



## AFILADO DEL IMPLEMENTO DE CORTE

### PRECAUCIÓN:

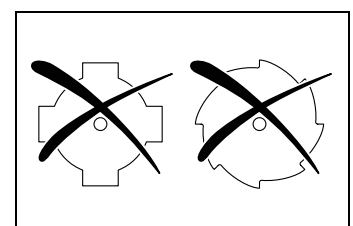
Los discos de corte mencionados a continuación deberán ser afilados en un taller autorizado. El afilado manual dará como resultado un desequilibrio del disco y ocasionará vibraciones anormales y daños a la máquina.

- Disco de corte: disco de 4 dientes, disco de 8 dientes

Los agentes de servicio autorizados ofrecen un servicio experto de afilado y equilibrio de los discos de corte.

### NOTA:

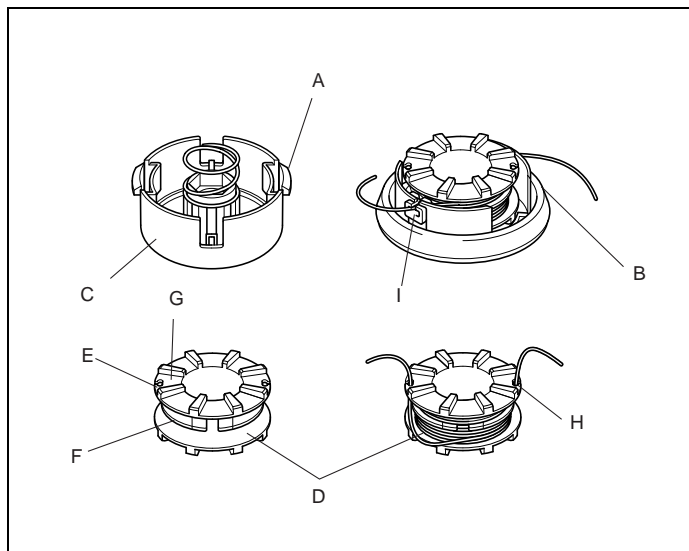
Para alargar la vida de servicio de los discos de corte arriba mencionados, podrá darles la vuelta hasta que ambos bordes de corte estén desafilados.



## CABEZAL DEL CORDÓN DE NYLON

### Sustitución del cordón de nylon

1. En primer lugar, pare el motor.  
Presione los enganches del alojamiento (A) hacia dentro para levantarla del conjunto de la cubierta (B). Después quite el carrete (D).
2. Quite el cordón de nylon sobrante del carrete.
3. Corte un trozo de cordón de nylon de aproximadamente 7,5 m (25') de largo.
4. Enganche el centro del nuevo cordón de nylon en la muesca (F) del centro del carrete, con un extremo del cordón unos 80 mm (3" a 3-1/8") más largo que el otro. Después enrolle ambos extremos firmemente alrededor del carrete en la dirección de giro del cabezal.
5. Ponga los extremos del cordón temporalmente en la muesca (H) cuando los termine de enrollar. Deje aproximadamente 100 mm (4") de cordón fuera de la ranura.
6. Ponga el carrete dentro de la cubierta. Extraiga los extremos de los cordones de las ranuras (H) y póngalos en los ojales metálicos (I) de la cubierta.
7. Monte el carrete (conjunto de la cubierta) en el alojamiento de forma que las ranuras y salientes del carrete coincidan con los del alojamiento (C). Después empuje firmemente la cubierta contra el alojamiento para sujetarla.



## INSTRUCCIONES DE MANTENIMIENTO

Antes de realizar cualquier trabajo en la desbrozadora/cortabordes, pare siempre el motor y quite el capuchón de la bujía.

Póngase siempre guantes de protección.

No intente quitar el arrancador de cuerda por su propia cuenta porque podrá ocasionar un accidente. Esto deberá ser hecho por un agente de servicio autorizado.

Para asegurar una larga vida de servicio y evitar cualquier daño a la máquina, deberá realizar las siguientes operaciones de servicio a intervalos regulares.



### Comprobación y mantenimiento diarios

Antes de la operación, inspeccione la máquina para ver si falta algún tornillo o pieza. Preste especial atención al apretado del disco de corte.

Antes de la operación, compruebe siempre que el conducto del aire de enfriamiento y las aletas del cilindro no estén atascados. Límpielos si es necesario.

Realice las siguientes tareas todos los días después de la utilización:

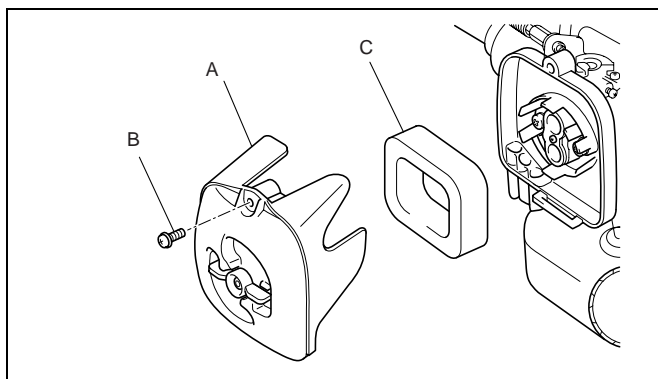
- Limpie el exterior de la máquina e inspecciónela para ver si está dañada.
- Limpie el filtro de aire. Cuando trabaje en condiciones muy polvorientas, limpie el filtro varias veces al día.
- Inspeccione el disco de corte o el cabezal del cordón de nylon para ver si está dañado y asegúrese de que está firmemente montado.
- Compruebe si hay suficiente diferencia entre el ralentí y la velocidad de accionamiento. Asegúrese de que el implemento de corte no gire mientras el motor está en ralentí.
- Compruebe el funcionamiento del interruptor I-O, la palanca de desbloqueo, la palanca de control y el botón de bloqueo.

### Limpieza del filtro de aire

- Quite el tornillo (B).
- Quite la cubierta del filtro de aire (A). Extraiga el filtro de aire (C) y límpielo en agua jabonosa templada. Seque el filtro de aire completamente.
- Después de limpiarlo, vuelva a poner la cubierta del filtro de aire y apriétela con el tornillo.

Nota:

Si hay mucho polvo o suciedad adherido al filtro de aire, límpielo todos los días. Un filtro de aire obturado puede hacer que resulte difícil o imposible arrancar el motor o aumentar la velocidad de giro del motor.



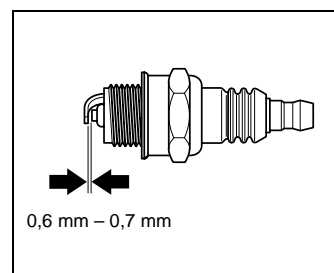
### Comprobación de la bujía

Utilice solamente la llave universal suministrada para quitar o instalar la bujía.

La holgura entre los dos electrodos de la bujía deberá ser de 0,6 – 0,7 mm ( 0,024" – 0,028" ). Si la holgura es excesiva o insuficiente, ajústela. Si la bujía está atascada con carbón o sucia, límpiela completamente o sustitúyala.

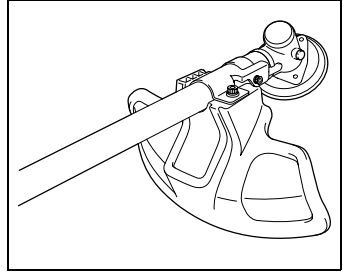
PRECAUCIÓN:

No toque nunca el conector de la bujía mientras el motor esté en marcha (peligro descarga eléctrica de alta tensión).



### Suministro de grasa a la caja de engranajes

Suministre grasa (Shell Albania 3 o equivalente) a la caja de engranajes a través del agujero de engrase cada 30 horas.



### La cabeza de succión del depósito de combustible

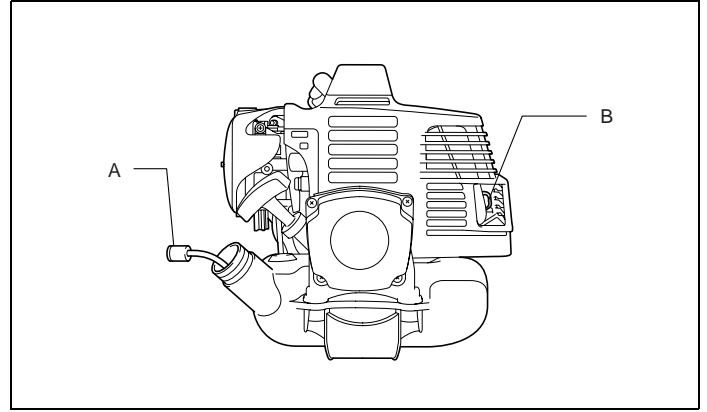
El filtro de combustible (A) de la cabeza de succión es para filtrar el combustible que entra al carburador. Se recomienda encarecidamente realizar una inspección visual periódica de este filtro de combustible.

Para inspeccionar el filtro de combustible, abra el tapón del depósito y extraiga la cabeza de succión a través de la abertura del depósito utilizando un gancho de alambre.

Si el filtro se ha endurecido, contaminado o atascado, deberá reemplazarlo. Un insuficiente suministro de combustible ocasionado por el deterioro del filtro resultará en un mal rendimiento del motor. Por lo tanto, es importante sustituir el filtro de combustible al menos cada trimestre para asegurar un buen suministro de combustible al carburador.

### Limpieza del orificio de escape del silenciador

Compruebe el orificio de escape del silenciador (B) regularmente. Si está atascado con sedimentos de carbón, ráspelos con cuidado con una herramienta adecuada.



### ALMACENAMIENTO

Cuando la desbrozadora/cortabordes vaya a estar almacenada durante largo tiempo,

1. Drene todo el combustible del depósito de combustible en un recipiente homologado para gasolina. Haga funcionar el motor hasta que se pare.
2. Limpie todas las materias extrañas de la máquina y almacénela en un lugar bien ventilado al que no puedan entrar niños.

## PROGRAMA DE MANTENIMIENTO

|                             |  |  |
|-----------------------------|--|--|
| General                     | Tornillos y tuercas de ensamblaje del motor  | Inspección visual para ver si están bien apretados o dañados.<br>Compruebe la condición y seguridad generales. |
| Después de cada repostaje   | Palanca de control<br>Interruptor I-O  | Comprobación del funcionamiento<br>Comprobación del funcionamiento   |
| Diario                      | Filtro de aire<br>Conducto del aire de enfriamiento<br>Implemento de corte<br>Velocidad al ralentí | Limpiar<br>Limpiar<br>Compruebe que está afilado y sin daños<br>Inspeccione (el implemento de corte no gira)   |
| Semanal                     | Bujía<br>Silenciador   | Inspección, sustituya si es necesario<br>Compruebe y limpie la abertura si es necesario                        |
| Trimestralmente             | Cabeza de succión<br>Depósito de combustible   | Sustituir<br>Limpiar   |
| Anualmente<br>(Largo plazo) | Depósito de combustible<br>Carburador  | Vacíe el depósito de combustible<br>Haga funcionar el motor hasta que se pare                                  |

## GRÁFICO DE SOLUCIÓN DE PROBLEMAS

| Problema                                 | Sistema                   | Observación                           | Causa   |
|--|---------------------------|---------------------------------------|---|
| El motor no arranca o le cuesta arrancar | Sistema de encendido      | Buena chispa de encendido             | Fallo en el suministro de combustible o sistema de compresión, defecto mecánico   |
|  |                           | No hay chispa de encendido            | Interruptor I-O accionado, cableado defectuoso o cortocircuito, bujía o conector defectuoso, módulo de encendido defectuoso   |
|  | Suministro de combustible | Depósito de combustible lleno         | Posición de estrangulación incorrecta, carburador defectuoso, tubo de suministro de combustible doblado o bloqueado, combustible sucio                              |
|  | Compresión                | No hay compresión cuando se tira      | Junta inferior del cigueñal defectuosa, sellos del cárter dañados, segmentos del cilindro o pistón defectuosos o sellado incorrecto de la bujía.                    |
|  | Fallo mecánico            | El arrancador no se acciona           | Resorte del arrancador roto, piezas rotas dentro del motor  |
| Problema de encendido en caliente        |                           | Depósito lleno<br>Chispa de encendido | Carburador contaminado o dañado. Limpie o sustituya.  |
| El motor arranca pero se para enseguida  | Suministro de combustible | Depósito lleno                        | Ajuste de ralentí incorrecto,<br>Carburador contaminado<br>Depósito defectuoso, tubo de suministro de combustible interrumpido, cable o interruptor I-O defectuoso. |
| Rendimiento insuficiente                 | Varios sistemas           | Poco ralentí del motor                | Filtro de aire contaminado, carburador contaminado, silenciador atascado, conducto de escape en el cilindro atascado  |

Makita Corporation

Anjo Aichi Japan