



# TOASTER OVEN

4 Slice

## INSTRUCTION MANUAL

Model: MCSTO4ST



THANK YOU FOR PURCHASING A MAGIC CHEF PRODUCT.  
PLEASE READ ALL INSTRUCTIONS CAREFULLY BEFORE USING THE PRODUCT.

# Contents

- Important Safeguards ..... 4
- Parts and Features ..... 6
- Before Use ..... 6
- Operating Instructions ..... 7
- Cleaning and Maintenance ..... 8
- Warranty ..... 9

# What You Need to Know About Safety Instructions

Warning and Important Safety Instructions appearing in this manual are not meant to cover all possible conditions and situations that may occur. Common sense, caution and care must be exercised when installing, maintaining, or operating appliance.

Always contact your dealer, distributor, service agent or manufacturer about problems or conditions you do not understand.

## Recognize Safety Symbols, Words, Labels

### **WARNING**

**WARNING**-Hazards or unsafe practices which **COULD** result in severe personal injury or death.

### **CAUTION**

**CAUTION**-Hazards or unsafe practices which **COULD** result in minor personal injury.

## **IMPORTANT SAFEGUARDS**

### **WARNING**

**SAVE THESE INSTRUCTIONS**

# IMPORTANT SAFEGUARDS

When using electrical appliances, basic safety precaution should always be followed, including the following:

## **1. READ ALL INSTRUCTIONS.**

2. This appliance is for household use only. Do not use outdoors.
3. Do not use this appliance for other than its intended use.
4. Before using for the first time, check if voltage indicated on the base of the appliance corresponds to the voltage in your home.
5. Do not turn on the power unless this appliance is properly assembled.
6. Close supervision is necessary when any appliance is used by or near children.
7. Do not operate any appliance with a damaged cord or plug, or after the appliance malfunctions or has been damaged in any manner. Return the appliance to an authorized service center for examination, repair or adjustment.
8. The use of attachments or accessories, not recommended or sold by the manufacturer, may result in fire, electric shock, or injury.
9. When not in use, or assembling and disassembling, or before cleaning, unplug the appliance from the outlet. Make sure the appliance cools down completely before assembling, disassembling and cleaning.
10. Do not let the cord hang over edge of table or counter, or touch hot surfaces.
11. Do not touch hot surfaces of the appliance. Use handles or knobs.
12. Leave about 6 to 8 inches of open space around the exterior of this appliance.
13. Do not place anything on top of this appliance.
14. Do not operate the appliance on a wall-mount, shelf, or near flammable materials such as blinds, curtains, etc.
15. Oversized foods or metal utensils must not be inserted in a toaster oven as they may create fire or risk of electric shock.
16. If the electric circuit is overloaded with other appliances, this appliance may not operate properly. This appliance should be operated on a separate electrical circuit from other operating appliances.
17. Do not store anything inside the oven.
18. A fire may occur if the appliance is covered or touching flammable materials including curtains, draperies, walls or alike, during operation.
19. Do not place any cardboard, paper, plastic or alike inside the oven.

20. Do not cover the crumb tray or any part of the oven with metal foil. This overheats the appliance.
21. To disconnect, turn the control to OFF, then remove the plug.
22. All containers placed inside the oven must not be airtight. Also, they need to have enough room to allow for expansion of fluids.
23. Clean this appliance regularly as built-up of grease may cause fire.
24. Do not clean with metal scouring pads. Pieces can break off the pad and touch electrical parts involving a risk of electric shock.
25. Stale toast, croutons, crackers may catch fire inside this appliance. Watch the toasting process carefully.
26. Use only a soapy damp rag to clean the glass on oven door. Do not use any sharp utensils as this may damage the glass and possibly cause breaking of the glass.
27. Do not place on or near a hot gas or electric burner, or in a heated oven.
28. Extreme caution should be exercised when using containers constructed of other than metal or glass.

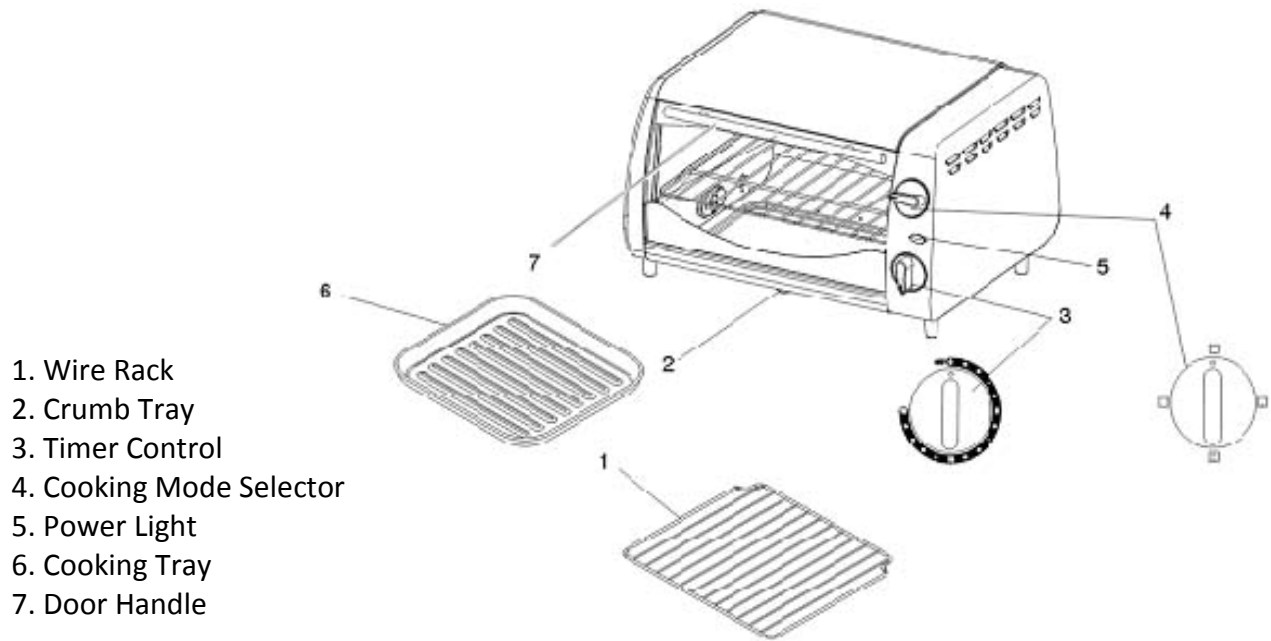
**WARNING**

**To protect against electric shock, fire, and injury to person(s), do not immerse main cord, plug, or unit in water or any other liquid.**

**CAUTION**

**Do not use an extension cord with the appliance. If necessary, an extension cord must have compatible rating for power and voltage. Do not modify the plug and extension cord with this appliance; including 3 prong grounded plug.**

# PARTS AND FEATURES



1. Wire Rack
2. Crumb Tray
3. Timer Control
4. Cooking Mode Selector
5. Power Light
6. Cooking Tray
7. Door Handle

## SPECIFICATIONS

Voltage Rating: 120V 60Hz

Power Rating: 600 Watts

Maximum Capacity: 10 liters / 0.35 cu ft. / 4-Slice  
30 minute Timer

## BEFORE USE

Carefully unpack the toaster oven and remove all packaging materials. Select a flat, heat-resistant, non-flammable surface to place toaster oven. Do not immerse the toaster oven in water or other liquid. To remove any dust that may have accumulated on the removable parts during packaging, clean the surface with damp cloth and remove any stickers (except for any warning/caution stickers). Before first use, heat up the oven empty and leave the door open for at least ten minutes. This will burn off the brand new scent. A little smoke may be normal to be produced and will disappear in short while during usage.

# OPERATING INSTRUCTIONS

Please familiarize yourself with the following oven parts and accessories prior to the usage:

## Parts & Accessories

- **Wire Rack:** For toasting, baking, and general cooking in casserole dishes and standard pans.
- **Cooking Tray:** For use in broiling and roasting meat, poultry, fish, and various other foods including bakery.
- **Crumb Tray:** Always keep crumb tray in place to collect crumbs and drips during cooking. Clean regularly.



1. Place the food in the oven by placing it on top of the cooking tray. Non-oily food can be placed directly while oil food should be wrapped in aluminum foil as oil spilt on the tray may burn causing smoke and tarnishing the tray.
2. Select the heating method by turning the cooking mode selector knob clockwise.
  - A. Both (upper & lower) heating elements are OFF.
  - B. Upper heating element is ON.
  - C. Lower heating element is ON.
  - D. Both (upper & lower) heating elements are ON.
3. Select the timer by turning the timer knob clockwise to a desired time up to 30 min max. When cooking cycle completes bell chime will sound indicating that the cooking has been finished. Different foods may require different time selection.
4. When the user wants to end the cycle before the timer reaches 0, turn off the timer counter-clockwise to "off" or "0" position to manually turn off the oven.
5. Remove the food from the oven and serve.



### CAUTION

Be sure to remove all paper and plastic wrap/packaging from the food before cooking.



### CAUTION

The oven surface will become hot during and after use. Keep your hand safe by not touching the surface.

## CLEANING AND MAINTENANCE

COMPLETELY CLEAN AND DRY ALL PARTS AFTER EVERY USE.

1. Unplug the oven and allow it to cool completely before any cleaning or maintenance.
2. Never allow water to spill on the tempered glass door when it is still warm.
3. To clean interior walls, use a damp cloth and a mild liquid soap solution or a soapy solution on a sponge. Never use harsh abrasives corrosive products. These could damage the oven surfaces.
4. Do not use abrasive cleaners, as they could leave scratches on the body. Simply wipe the exterior with a clean cloth and dry thoroughly.
5. Wire rack and bake tray are dishwasher safe. If heavily soiled, soak in hot sudsy water or use a nylon-scouring pad or nylon brush.
6. Never wrap the cord around the outside of the oven.

## SAVE THESE INSTRUCTIONS





## LIMITED WARRANTY

Unless otherwise prohibited, MC Appliance Corporation warrants each 4 Slice Toaster Oven to be free from defects in material and workmanship and agrees to remedy any such defect or to furnish a new part(s) (at the company's option) of the unit that fails during the warranty period. **A copy of the dated sales receipt or invoice is required to receive warranty service or a refund.**

**This warranty covers an appliance in use within the continental United States, Puerto Rico and Hawaii. The warranty does not cover the following:**

- Damages due to shipping or improper installation.
- Damages due to misuse or abuse.
- Content losses due to failure of the unit.
- Repairs performed by unauthorized service agents.
- Service calls that do not involve defects in material and workmanship such as instruction on proper use of the product or improper installation.
- Failure of this product if used for other than for its intended purpose.
- Disposal costs for any failed unit not returned to our factory.
- Any delivery costs incurred as the result of a unit that fails to perform as specified.

**This warranty is in lieu of any and all warranties expressed or implied and no representative or person is authorized to assume for us any other liability in connection with the sale of this product. Under no circumstances is the consumer permitted to return this unit to the factory without prior written consent from MC Appliance Corporation.**

Model	Parts & Labor	Type of Service
MCSTO4ST	One-Year	Carry-In

**For Service or Assistance please call**

**888-775-0202.**

**Or visit us on the web at [www.magicchef.com](http://www.magicchef.com) to request warranty service.**