

# MAAX®

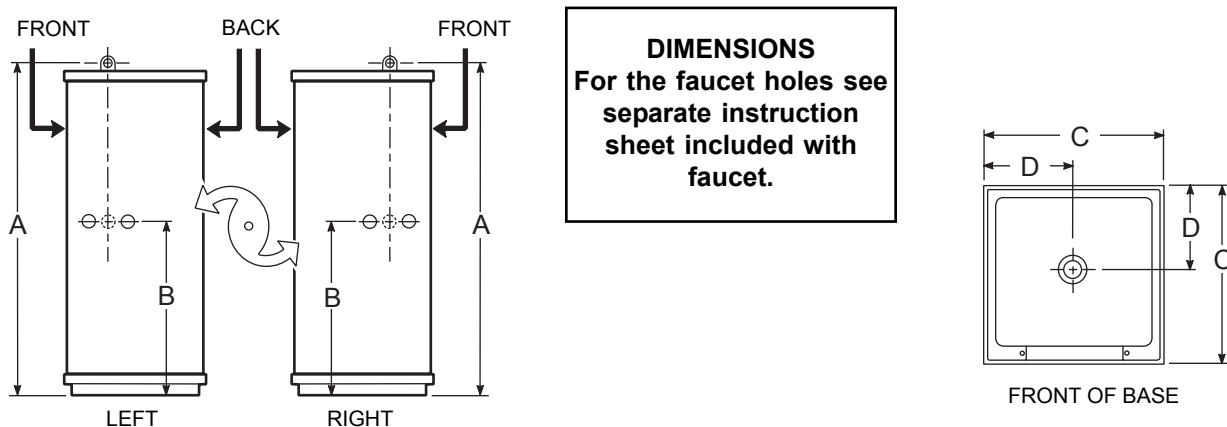
## Installation instructions SHOWER STALL KD-ECN-32W / K3273-W05 / 89235 101568 / 101634 / 101635

### IN CASE OF PROBLEMS

If you have any problems with our product, **DO NOT CALL THE STORE**. Contact one of our customer service representatives at **1-888-304-4388**. Our experts can advise you and will do all they can to resolve your problem diligently. The necessary parts will be sent to you immediately. **There is no warranty on the installation**, but if you have any problems, we will be happy to render assistance.

### BASE INSTALLATION

1. Check local building codes prior to drain installation.
2. Determine location of shower base over pipe using dimensions shown below.
3. Drain system is designed for 2" pipe. If 1 1/2" pipe is being used it will be necessary to purchase reducing fittings (Locally).
4. Around drain pipe provide minimum 4 1/2" dia. And 2 1/4" deep clearance to clear drain housing on base.
5. Make sure that the floor under base is level. Visible drain pipe should be straight up (not on angle) and solidly held to the floor. (Drain pipe flush with finished floor).
6. For the assembly and installation of the drain, please refer to the instructions enclosed in the drain packaging.



Model / Modèle	A	B	C	D
<b>101568 / 101634 / 101635</b>	74"	41" - 48"	32 7/8"	16 3/8"
KD-ECN-32W / K3273-W05 / 89235	187.9 cm	104.1 cm - 121.9 cm	83.5 cm	41.6 cm

### Repair parts (reference page 2)

Item No.	Description	Part No.	Qty
1	Base	13432 10014983-001	1
2	Drain assembly	60450 10014713-001	1
3	Side wall	14413 10014865-129	1
4	Hand rail with soap dish	02756 10016701	1
5	Hand rail with shampoo holder	02755 10016700	1
6	# 10x3/4 sheet metal screw	52935 10014371	8
7	# 8x3/8 sheet metal screw	51961 10014390	11
8	Front rail	13450 10014578-003-001	2

Item No.	Description	Part No.	Qty
9	Top frame	13419 10015539	1
10	Faucet assembly	12422 10014092	1
11	Shower head	12420 10014111	1
12	Elbow	12417 10014692-001	1
13	Shower head bracket	12416 10014691-001	1
14	Curtain	12410 10014093	1
15	Curtain hooks	28126 10014215-092	6

## ASSEMBLY AND INSTALLATION

1. Remove shower stall side wall (3) from carton and stand up smooth side in. Due to the springback squeeze side wall bends inwards at score in order to obtain 90° bends after installation.
2. Fasten handrail (4) (5) in place by driving screws (6) from outside through holes in side wall into holes in handrail as illustrated in **Detail C**. Handrail with soapdish (4) will be located at right side of shower stall.
3. Prior to installation of the side wall, the base should be sanded with the sandpaper provided in the hardware bag to prevent scratching on the side wall. Lightly sand the top surface of the base (1) where the caulking compound (S) will be applied. (**Detail D**) The surface must then be clear of dust to ensure that the silicone will adhere properly.
4. Apply caulking compound (S) (not supplied) into the groove of base on the three sides. (**Detail D**) Lift housing by handrail into groove of base and secure with nine screws (7) from the inside through holes into side lip of base. Wipe off excess caulking.
5. Slide the front rail (8), the groove of front rail go in the side wall. **Detail E** Make sure that front rail bottoms the base. Use mallet or block of wood if necessary to tamp down in place. **Detail E**. Secure shower panels into the base by driving screw (7).
6. Place top frame (9), with curtain rail facing front, over side wall and pull down (starting with the back end) so that edge of side wall fits into groove of top frame on all three sides. **Detail A** Make sure the pocket (T) at front of top frame fits over the front rail and snaps in place. **Detail B**.
7. Drill 3 holes 1" dia. Faucet holes on selected side of shower stall. See dimension B on page 1. **Caution: Preview faucet owners manual before you drill faucet holes also hole sizes could vary.**
8. Install faucet ass'y (10) and connect water main and shower head (11) (12) with 1/2" piping.
9. Shower head is supported by bracket (13) which is mounted in line with faucet holes with two screws (7) into centre of top frame rail.
10. Hook shower curtain (14) over hooks (15) shower stall is now ready for use.

