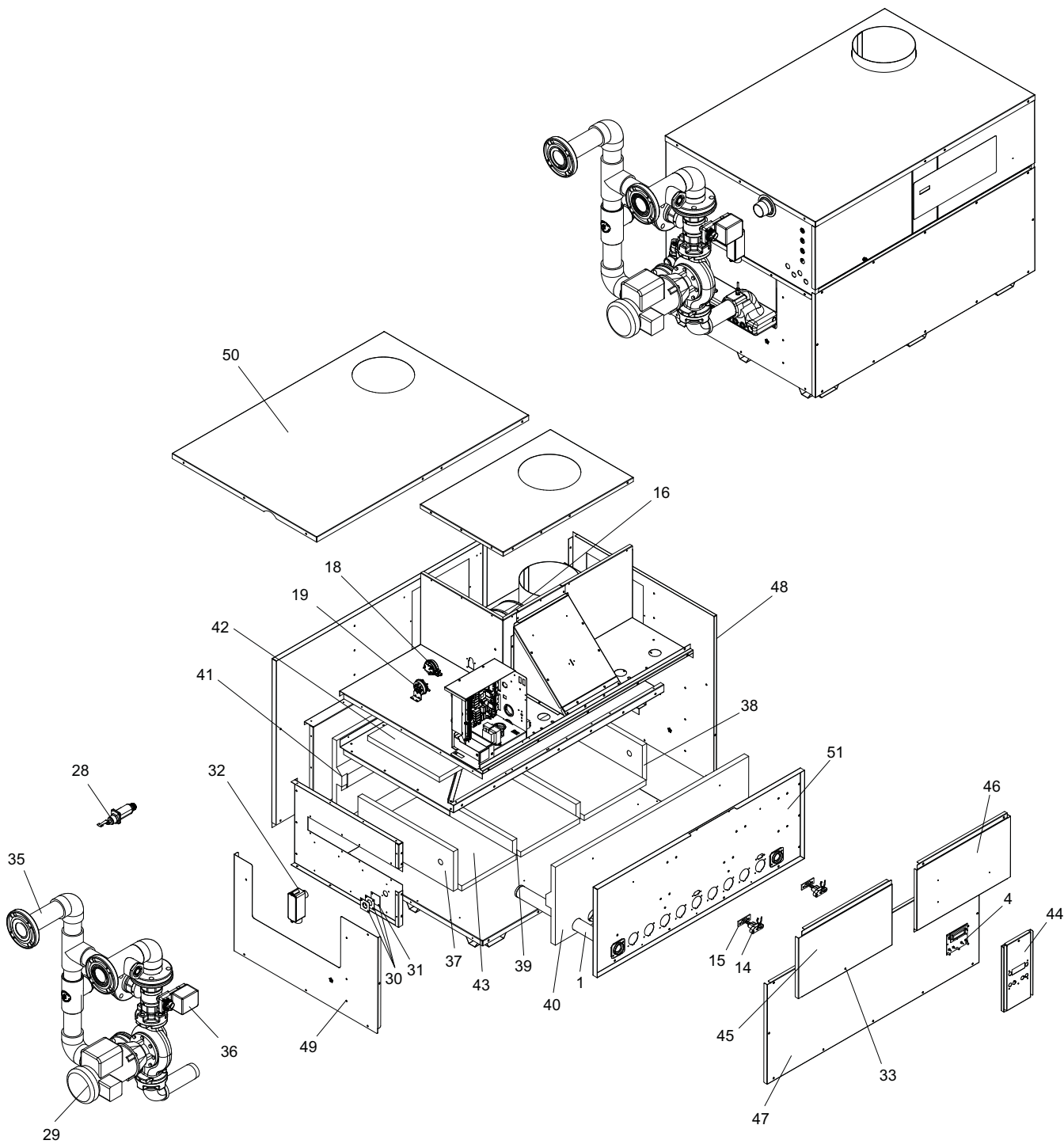




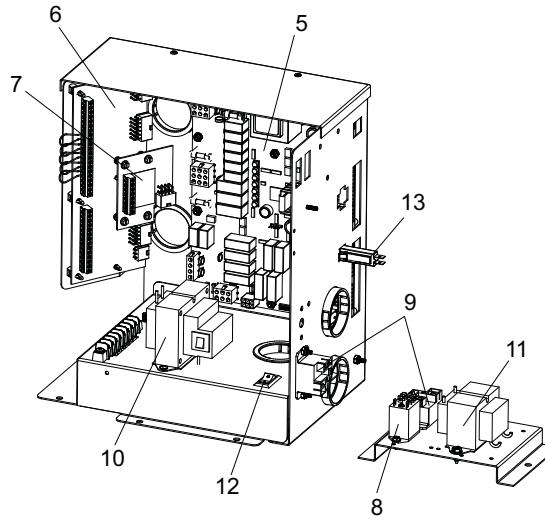
PARTS & SERVICE DEPARTMENT
 Nashville, Tennessee
 615-889-8900 • Fax: 615-882-2918
 parts_team@lochinvar.com
 www.Lochinvar.com

Replacement Parts List

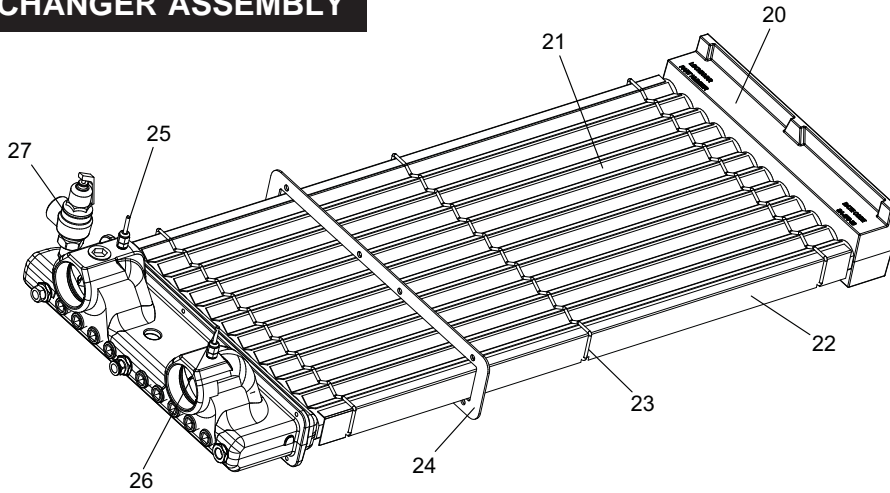
Copper-Fin II® Pool Heaters CP 992 -2072



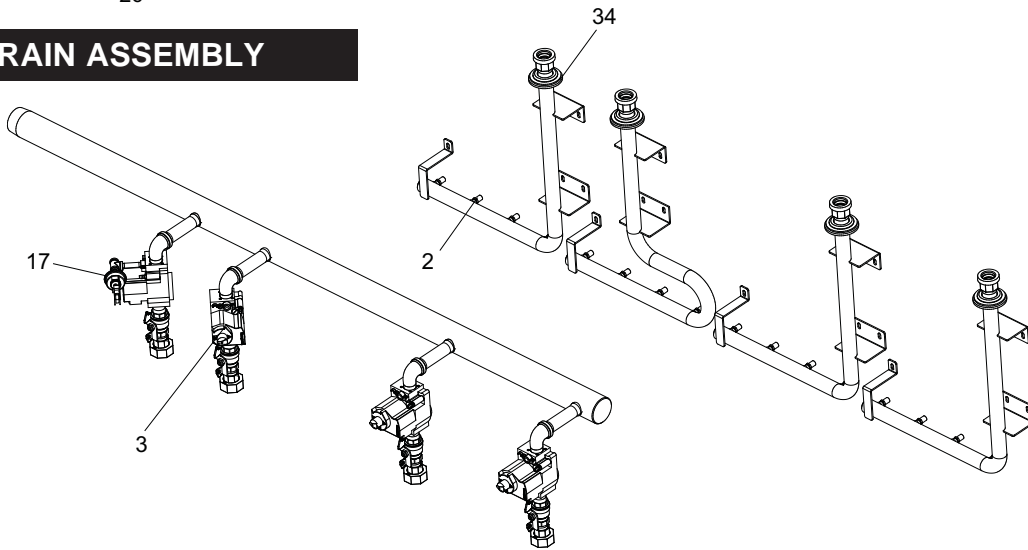
CONTROL PANEL ASSEMBLY



HEAT EXCHANGER ASSEMBLY



GAS TRAIN ASSEMBLY



ITEM NO.	PART NO.	DESCRIPTION	MODEL NO.
----------	----------	-------------	-----------

BURNERS

1	Model	BNR3422	BNR3430
BNR3422 is Main Burner	992	10 ea	1 ea
	1262	13 ea	1 ea
BNR3430 is Main Burner w/ compression fitting.	1442	15 ea	1 ea
	1802	19 ea	1 ea
	2072	22 ea	1 ea

PLEASE HAVE MODEL AND SERIAL NUMBER WHEN ORDERING PARTS

ITEM NO.	PART NO.	DESCRIPTION	MODEL NO.
CONTRLS & GAUGES			
4	RLY20031	USER INTERFACE CONTROL	ALL
5	RLY20032	BOARD, MAIN CONTROL	ALL
6	RLY20066	BOARD, CONNECTOR	ALL
7	RLY20067	BOARD, SENSOR	ALL
8	RLY2051	RELAY, DPDT	ALL
9	RLY2706	RELAY, 120VAC, 60HZ, 10.8AMP	ALL
10	TRF20002	TRANSFORMER, 24V, 60VA	ALL
11	TRF20002	TRANSFORMER, 24V, 60VA	992
11	TRF2005	TRANSFORMER, 75VA, 120V TO 24V	1262 & 1442
11	TRF2010	TRANSFORMER, 120V, 50/60 HZ	1802 & 2072
12	SWT2006	SWITCH, ON / OFF	ALL
13	MSC2465	CIRCUIT BREAKER, 5 AMP	1802-2072
14	PLT3400	HOT SURFACE IGNITOR	ALL
15	GKT2012	GASKET, IGNITOR	ALL
16	FAN2010	FAN ASSEMBLY	992 -1442
16	FAN20004	FAN ASSEMBLY	1802 & 2072
17	PRS2004	GAS PRESSURE SWITCH, NAT ONLY	ALL
18	PRS20023	PRESSURE SWITCH, BLOCKED FLUE	992
18	PRS20024	PRESSURE SWITCH, BLOCKED FLUE	1262
18	PRS20025	PRESSURE SWITCH, BLOCKED FLUE	1442
18	PRS20026	PRESSURE SWITCH, BLOCKED FLUE	1802
18	PRS20027	PRESSURE SWITCH, BLOCKED FLUE	2072
19	PRS20028	AIR PRESSURE SWITCH	ALL
HEAT EXCHANGERS			
20	HEX30009	HEAT EXCHANGER, HLW	992
20	HEX30010	HEAT EXCHANGER, HLW	1262
20	HEX30011	HEAT EXCHANGER, HLW	1442
20	HEX30022	HEAT EXCHANGER, HLW, CN	1802
20	HEX30023	HEAT EXCHANGER, HLW, CN	2072
21	JKE20000	V-BAFFLE (11 REQ.)	992
21	JKE20001	V-BAFFLE (11 REQ.)	1262
21	JKE20002	V-BAFFLE (11 REQ.)	1442
21	JKE20003	V-BAFFLE (11 REQ.)	1802
21	JKE20004	V-BAFFLE (11 REQ.)	2072
22	JKE60162	FRAME RUNNER (2 REQ.)	992
22	JKE60163	FRAME RUNNER (2 REQ.)	1262
22	JKE60164	FRAME RUNNER (2 REQ.)	1442
22	JKE60165	FRAME RUNNER (2 REQ.)	1802
22	JKE60166	FRAME RUNNER (2 REQ.)	2072
23	MSC20129	RETAINER V-BAFFLE (3 REQ.)	ALL
24	GKT20032	GASKET, FRONT HEADER	ALL
25	TST20017	SENSOR, DUAL IMMERSION, OUTLET	ALL
26	TST2050	SENSOR, IMMERSION, INLET	ALL
27	RLV2017	RELIEF VALVE, TEMPERATURE & PRESSURE	ALL
28	WTR20003	FLOW SWITCH	ALL
PUMPS			
29	ARM3024PABTE	PUMP	992-1442
29	ARM3072PABTE	PUMP	1802 - 2072
MISCELLANEOUS			
30	MSC3415	SIGHT GLASS AND GASKET KIT	ALL
31	GKT2401	GASKET, SIGHT GLASS	ALL
32	MSC20176	CONDUIT COVER	ALL
33	MSC2413	SCREW, KNURLED HEAD	ALL
34	GKT2427	GASKET, ESCUTCHEON, 3/4"	ALL
35	PVC30034	CPVC PIPING LOOP 2 1/2" HORIZONTAL	ALL
35	PVC30035	CPVC PIPING LOOP 2 1/2" VERTICAL	ALL
36	VAL20009	BYPASS VALVE	ALL
-	FUS2001	FUSE, 3.15 AMP	ALL
-	FUS2002	FUSE, 5 AMP	ALL
-	GKT2028	GASKET, ESCUTCHEON, 2"	ALL
-	GKT3408	GASKET, STRIP 45"	ALL
-	TUB2002	TUBING, GRAY, 3/16" X 5/16"	ALL
-	TUB2004	TUBING, ALUMINUM, 1/8"	ALL
-	FIL2000	FILTER	ALL
-	GKT2429	GASKET, BURNER	ALL
-	GKT30000	GASKET, BLACK PVC, 1/4 X 5/8 X 25'	ALL
-	MSC2155	TEE, 3/16" HOSE MENDER, NYLON	ALL
-	MSC2156	CAP, 3/16" TEE FITTING, SILICONE	ALL

PLEASE HAVE MODEL AND SERIAL NUMBER WHEN ORDERING PARTS

ITEM NO.	PART NO.	DESCRIPTION	MODEL NO.
MISCELLANEOUS CONTINUED			
-	TST2305	BULB WELL	ALL
-	WTR30000	LOW WATER CUT-OFF, MANUAL RESET (OPTIONAL)	ALL
-	WTR30001	LOW WATER CUT-OFF, AUTO RESET (OPTIONAL)	ALL
-	WTR2222	LOW WATER CUT-OFF PROBE (OPTIONAL)	ALL
-	WTR20000	LOW WATER CUT-OFF BOOT (OPTIONAL)	ALL
LOCH-HEAT TILE			
37	FIB20041	LOCH-HEAT TILE, FRONT HEAD SIDE	ALL
38	FIB20042	LOCH-HEAT TILE, REAR HEAD SIDE	ALL
39	FIB20044	LOCH-HEAT TILE, DIVIDER	ALL
40	FIB20049	LOCH-HEAT TILE, FRONT DOOR	992
40	FIB20050	LOCH-HEAT TILE, FRONT DOOR	1262
40	FIB20051	LOCH-HEAT TILE, FRONT DOOR LEFT	1442
40	FIB20052	LOCH-HEAT TILE, FRONT DOOR RIGHT	1442
40	FIB20102	LOCH-HEAT TILE, FRONT DOOR LEFT	1802
40	FIB20054	LOCH-HEAT TILE, FRONT DOOR RIGHT	1802
40	FIB20055	LOCH-HEAT TILE, FRONT DOOR LEFT	2072
40	FIB20056	LOCH-HEAT TILE, FRONT DOOR RIGHT	2072
41	FIB20035	LOCH-HEAT TILE, BACK	992
41	FIB20036	LOCH-HEAT TILE, BACK	1262
41	FIB20037	LOCH-HEAT TILE, BACK LEFT	1442
41	FIB20038	LOCH-HEAT TILE, BACK LEFT	1802
41	FIB20039	LOCH-HEAT TILE, BACK LEFT	2072
41	FIB20040	LOCH-HEAT TILE, BACK RIGHT	1442 - 2072
42	FIB20000	INSULATION PAD, TOP	992
42	FIB20002	INSULATION PAD, TOP	1262
42	FIB2257	INSULATION PAD, TOP	1442
42	FIB20004	INSULATION PAD, TOP	1802
42	FIB2259	INSULATION PAD, TOP	2072
43	FIB20043	LOCH-HEAT TILE, LEFT BOTTOM	992
43	FIB20045	LOCH-HEAT TILE, MIDDLE BOTTOM	992
43	FIB20046	LOCH-HEAT TILE, RIGHT BOTTOM	992
43	FIB20047	LOCH-HEAT TILE, LEFT BOTTOM	1262
43	FIB20045	LOCH-HEAT TILE, MIDDLE BOTTOM (2)	1262
43	FIB20048	LOCH-HEAT TILE, RIGHT BOTTOM	1262
43	FIB20059	LOCH-HEAT TILE, LEFT BOTTOM	1442
43	FIB20045	LOCH-HEAT TILE, MIDDLE BOTTOM (2)	1442
43	FIB20060	LOCH-HEAT TILE, RIGHT BOTTOM	1442
43	FIB20061	LOCH-HEAT TILE, LEFT BOTTOM	1802
43	FIB20045	LOCH-HEAT TILE, MIDDLE BOTTOM (3)	1802
43	FIB20062	LOCH-HEAT TILE, RIGHT BOTTOM	1802
43	FIB20063	LOCH-HEAT TILE, LEFT BOTTOM	2072
43	FIB20045	LOCH-HEAT TILE, MIDDLE BOTTOM (3)	2072
43	FIB20064	LOCH-HEAT TILE, MIDDLE BOTTOM (1)	2072
43	FIB20065	LOCH-HEAT TILE, RIGHT BOTTOM	2072
JACKET ASSEMBLIES			
44	JKE30023	JACKET, OUTER FRONT UPPER MIDDLE	ALL
45	JKE60136	JACKET, OUTER FRONT UPPER LEFT	ALL
46	JKE30024	JACKET, OUTER FRONT UPPER RIGHT	992
46	JKE30025	JACKET, OUTER FRONT UPPER RIGHT	1262
46	JKE30026	JACKET, OUTER FRONT UPPER RIGHT	1442
46	JKE30027	JACKET, OUTER FRONT UPPER RIGHT	1802
46	JKE30028	JACKET, OUTER FRONT UPPER RIGHT	2072
47	JKE60124	JACKET, OUTER FRONT LOWER	992
47	JKE60125	JACKET, OUTER FRONT LOWER	1262
47	JKE60126	JACKET, OUTER FRONT LOWER	1442
47	JKE60127	JACKET, OUTER FRONT LOWER	1802
47	JKE60128	JACKET, OUTER FRONT LOWER	2072
48	JKE60117	JACKET, OUTER REAR HEAD	ALL
49	JKE60114	JACKET, OUTER LEFT LOWER HEAD	ALL
50	JKE60119	JACKET, OUTER TOP	992
50	JKE60120	JACKET, OUTER TOP	1262
50	JKE60121	JACKET, OUTER TOP	1442
50	JKE60122	JACKET, OUTER TOP	1802
50	JKE60123	JACKET, OUTER TOP	2072
51	JKE30018	DOOR, COMBUSTION CHAMBER	992
51	JKE30019	DOOR, COMBUSTION CHAMBER	1262
51	JKE30020	DOOR, COMBUSTION CHAMBER	1442
51	JKE30021	DOOR, COMBUSTION CHAMBER	1802
51	JKE30022	DOOR, COMBUSTION CHAMBER	2072
NOTE: CP = POOL HEATER PLEASE HAVE MODEL NUMBER AND SERIAL NUMBER WHEN ORDERING PARTS			