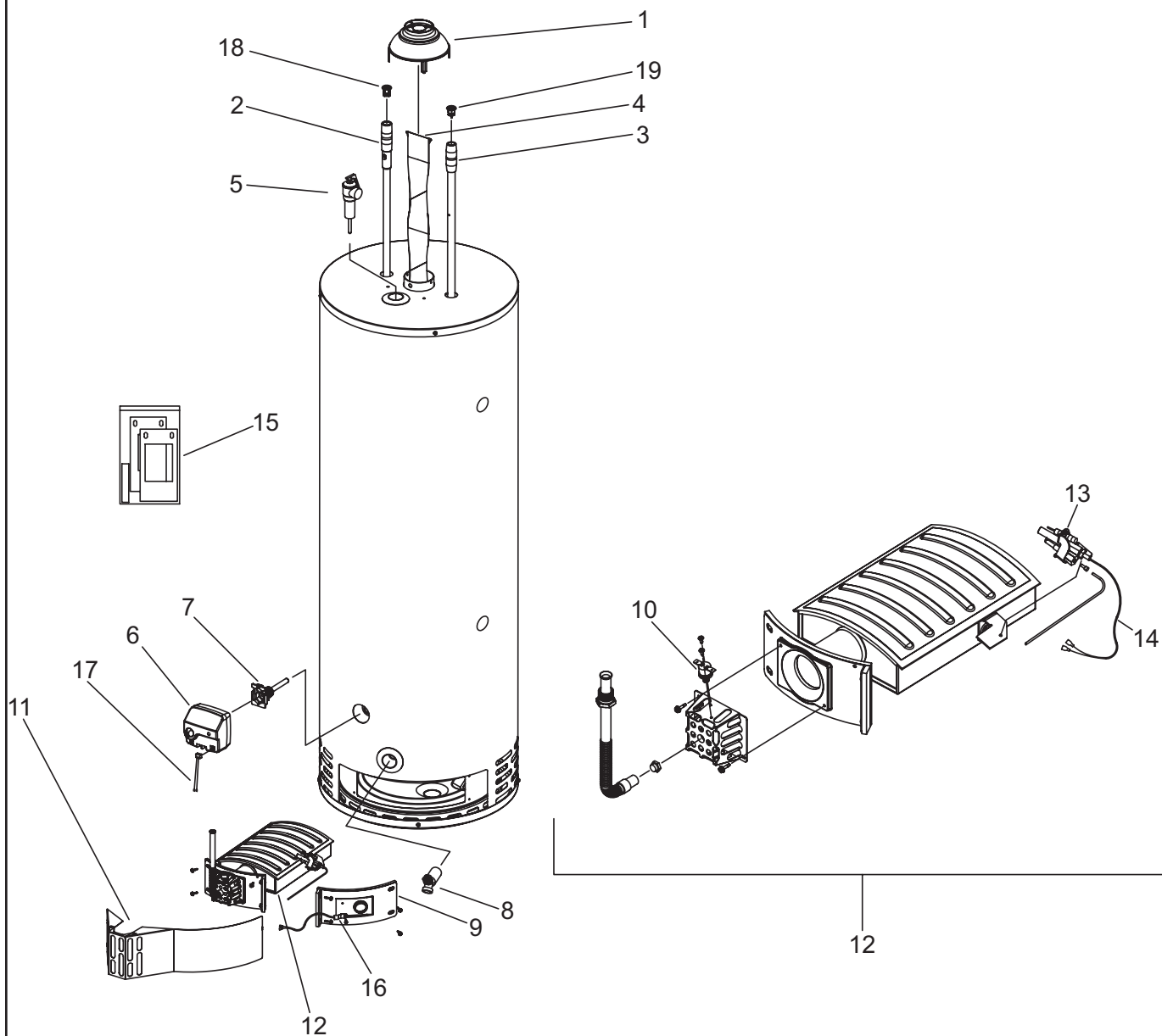




PARTS & SERVICE DEPARTMENT
 Nashville, Tennessee
 615-889-8900 • Fax: 615-547-1000
 www.Lochinvar.com

Replacement Parts List

**Residential Gas Ultra Low NOx
 USN, UTN Models**



ITEM NO.	DESCRIPTION	MODEL/PART NUMBERS					
		UTN030G	USN030G	UTN041G	USN041G	UTN040G-4	UTN050G
1	DRAFT HOOD	DRH1020	DRH1020	DRH1020	DRH1020	DRH1020	DRH1020
2	ANODE, MAGNESIUM	WTR1019	WTR1015	WTR1019	WTR10000	WTR10002	WTR10001
3	COLD WATER INLET TUBE	WTR10004	WTR10003	WTR10006	WTR10005	WTR10009	WTR10007
4	FLUE BAFFLE	JKT10002	JKT1010	JKT1008	JKT10003	JKT1011	JKT1009
5	T&P RELIEF VALVE	RLV1009	RLV1009	RLV1009	RLV1009	RLV1009	RLV1009
6	NATURAL GAS VALVE	VAL10000	VAL10000	VAL10000	VAL10000	VAL10000	VAL10000
7	THERMAL WELL	TST1051	TST1051	TST1051	TST1051	TST1051	TST1051
8	BRASS DRAIN VALVE	DRV1007	DRV1007	DRV1007	DRV1007	DRV1007	DRV1007
9	RIGHT SIDE INNER DOOR W/ GASKET	JKT10006	JKT10005	JKT10005	JKT10007	JKT10005	JKT10007
10	RESETTABLE THERMAL SWITCH	RLY1003	RLY1003	RLY1003	RLY1003	RLY1003	RLY1003
11	OUTER DOOR	JKT10004	JKT10004	JKT10004	JKT10004	JKT10004	JKT10004
12	NAT BURNER ASSEMBLY	BNR10002	BNR10001	BNR10001	BNR10003	BNR10001	BNR10003
13	PILOT ASSEMBLY NATURAL GAS	PLT10002	PLT10001	PLT10001	PLT10003	PLT10001	PLT10003
14	THERMOPILE	PLT10005	PLT10005	PLT10005	PLT10005	PLT10005	PLT10005
15	INNER DOOR GASKET KIT	GKT10000	GKT10000	GKT10000	GKT10000	GKT10000	GKT10000
16	SENSOR RTD	TST10002	TST10002	TST10002	TST10002	TST10002	TST10002
17	INTERMEDIATE GAS VALVE HARNESS	WRE10000	WRE10000	WRE10000	WRE10000	WRE10000	WRE10000
18	HEAT TRAP OUTLET	WTR10010	WTR10010	WTR10010	WTR10010	WTR10010	WTR10010
19	HEAT TRAP INLET	WTR1028	WTR1028	WTR1028	WTR1028	WTR1028	WTR1028
		USN050G	UTN050G-4	UTN030G-EF	USN040G-EF	UTN040G-EF	UTN050G-EF
1	DRAFT HOOD	DRH1020	DRH1020	DRH1020	DRH1020	DRH1020	DRH1020
2	ANODE, MAGNESIUM	WTR10000	WTR10002	WTR1019	WTR10000	WTR1019	WTR10001
3	COLD WATER INLET TUBE	WTR10008	WTR10009	WTR10004	WTR10005	WTR10006	WTR10007
4	FLUE BAFFLE	JKT10003	JKT1011	JKT10002	JKT10003	JKT1008	JKT1009
5	T&P RELIEF VALVE	RLV1009	RLV1009	RLV1005	RLV1005	RLV1005	RLV1005
6	NATURAL GAS VALVE	VAL10000	VAL10000	VAL10000	VAL10000	VAL10000	VAL10000
7	THERMAL WELL	TST1051	TST1051	TST1052	TST1052	TST1052	TST1052
8	BRASS DRAIN VALVE	DRV1007	DRV1007	DRV1007	DRV1007	DRV1007	DRV1007
9	RIGHT SIDE INNER DOOR W/ GASKET	JKT10008	JKT10007	JKT10006	JKT1007	JKT10005	JKT10007
10	RESETTABLE THERMAL SWITCH	RLY1003	RLY1003	RLY1003	RLY1003	RLY1003	RLY1003
11	OUTER DOOR	JKT10004	JKT10004	JKT10004	JKT10004	JKT10004	JKT10004
12	NAT BURNER ASSEMBLY	BNR10004	BNR10003	BNR10005	BNR10007	BNR10006	BNR10007
13	PILOT ASSEMBLY NATURAL GAS	PLT10004	PLT10003	PLT10001	PLT10004	PLT10003	PLT10004
14	THERMOPILE	PLT10005	PLT10005	PLT10005	PLT10005	PLT10005	PLT10005
15	INNER DOOR GASKET KIT	GKT10000	GKT10000	GKT10000	GKT10000	GKT10000	GKT10000
16	SENSOR RTD	TST10002	TST10002	TST10002	TST10002	TST10002	TST10002
17	INTERMEDIATE GAS VALVE HARNESS	WRE10000	WRE10000	WRE10000	WRE10000	WRE10000	WRE10000
18	HEAT TRAP OUTLET	WTR10010	WTR10010	WTR10010	WTR10010	WTR10010	WTR10010
19	HEAT TRAP INLET	WTR1028	WTR1028	WTR1028	WTR1028	WTR1028	WTR1028

PLEASE PROVIDE MODEL & SERIAL NUMBER WHEN ORDERING PARTS.