

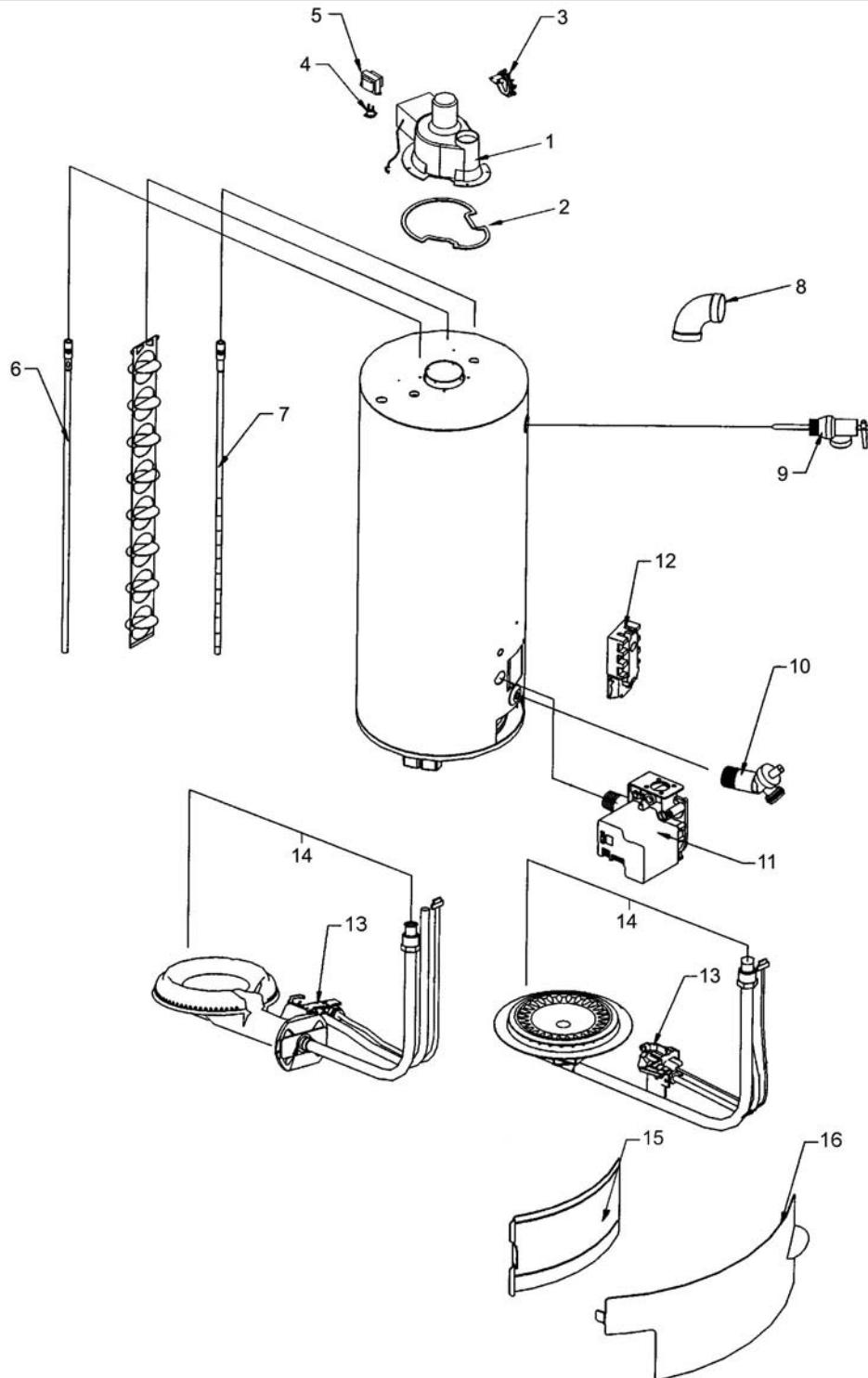


PARTS & SERVICE DEPARTMENT
 Nashville, Tennessee
 615-889-8900 • Fax: 615-547-1000
 www.Lochinvar.com

Replacement Parts List

**Residential Gas Power-Vented/Double Duty
 Models DVN & DVL 052, 065 & 076*
 PVN & PVL 050 & 075**

* From July 1997 (Serial # PG) to Present



ITEM NO.	DESCRIPTION	MODEL NUMBERS / PART NUMBERS				
		DV(N,L)052	DV(N,L)065	DV(N,L)076	PV(N,L)050†	PV(N,L)075†
1	BLOWER (BEFORE #TM)	PVT1013	PVT1013	PVT1013	PVT1015-K	PVT1015-K
1	BLOWER (FROM #WA TO XJ)	PVT1015-K	PVT1015-K	PVT1015-K	PVT1015-K	PVT1015-K
1	BLOWER (AFTER #XK)	PVT1018	PVT1018	PVT1018	PVT1015-K	PVT1015-K
2	BLOWER GASKET	GKT1013	GKT1013	GKT1013	GKT1013	GKT1013
3	PRESSURE SWITCH (BEFORE #TM)	PRS1008	PRS1008	PRS1008	PRS1008	PRS1008
3	PRESSURE SWITCH (AFTER #WA)	PRS1013	PRS1013	PRS1013	PRS1013	PRS1013
4	HIGH LIMIT	HLC1027	HLC1027	HLC1027	HLC1027	HLC1027
5	TRANSFORMER	TRF1002	TRF1002	TRF1002	TRF1002	TRF1002
6	ANODE, MAGNESIUM 3/4" DIA	WTR1060	WTR1060	WTR1060	WTR1060	WTR1060
6	ANODE, ALUMINUM 3/4" DIA	WTR1044	WTR1044	WTR1044	WTR1044	WTR1044
7	DIP TUBE 3/4" DIA	WTR1075	WTR1075	WTR1075	WTR1075	WTR1075
8	VENT TERMINATION, 3" W/SCREEN	DRH1100	DRH1100	DRH1100	DRH1100	DRH1100
9	T&P RELIEF VALVE	RLV1001	RLV1001	RLV1001	RLV1001	RLV1001
10	BRASS DRAIN VALVE	DRV1007	DRV1007	DRV1007	DRV1007	DRV1007
11	GAS VALVE NAT	VAL1170	VAL1170	VAL1170	VAL1170	VAL1170
11	GAS VALVE LPG	VAL1171	VAL1171	VAL1171	VAL1171	VAL1171
12	THERMOSTAT NATURAL	TST1121	TST1121	TST1121	TST1121	TST1121
13	PILOT NAT	PLT1217	PLT1217	PLT1217	PLT1217	PLT1217
13	PILOT LPG	PLT1210	PLT1210	PLT1210	PLT1210	PLT1210
14	BURNER ASSEMBLY NAT (BEFORE #XB)	BNR1208	BNR1262	BNR1209	BNR1208	BNR1209
14	BURNER ASSEMBLY NAT (AFTER #XB)	BNR1270	BNR1271	BNR1272	BNR1270	BNR1272
14	BURNER ASSEMBLY LPG (BEFORE #XB)	BNR1218	BNR1263	BNR1219	BNR1218	BNR1219
14	BURNER ASSEMBLY LPG (AFTER #XB)	BNR1273	BNR1273	BNR1275	BNR1273	BNR1275
15	INNER DOOR	JKT1109	JKT1109	JKT1110	JKT1109	JKT1110
16	OUTER DOOR	JKT1049	JKT1049	JKT1028	JKT1049	JKT1028

†INDICATES MODELS EQUIPPED WITH SIDE TAPPINGS FOR SPACE HEATING APPLICATIONS (DOUBLE DUTY)
PLEASE PROVIDE MODEL & SERIAL NUMBER WHEN ORDERING PARTS.