



**PARTS & SERVICE DEPARTMENT**

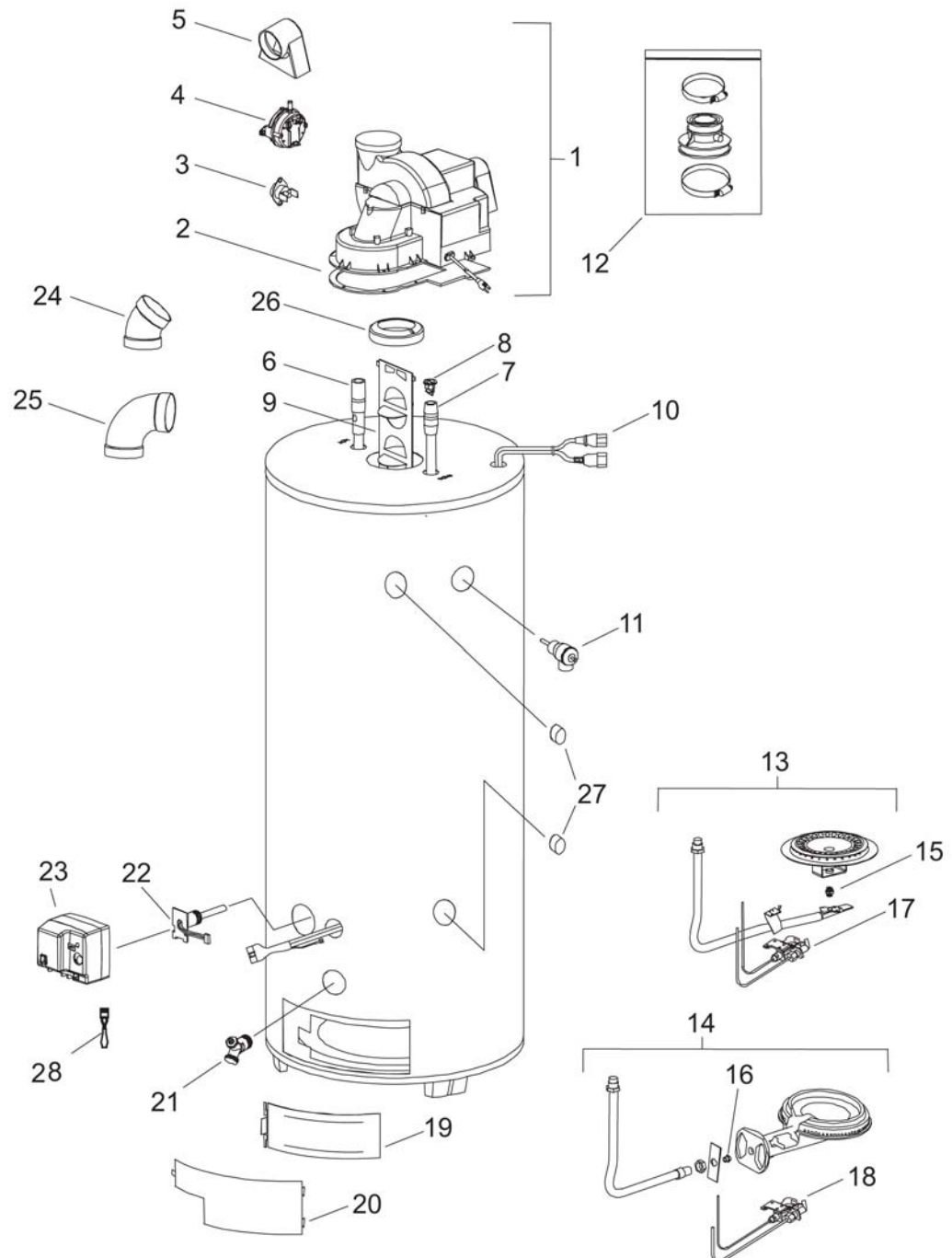
Nashville, Tennessee

615-889-8900 • Fax: 615-547-1000

www.Lochinvar.com

## Replacement Parts List

### Power-Vented Residential Gas Models LVN(L) 076



ITEM NO.	DESCRIPTION	MODEL/PART NUMBER
		<b>LV(N,L)076</b>
1	Blower	PVT1032
2	Blower Gasket	GKT1027
3	Hi Limit	HLC1003
4	Pressure Switch	PRS1032
5	Air Mixing Inlet	MSC1006
6	Anode, Magnesium	WTR1010
7	Dip Tube	WTR1018
8	Heat Trap Inlet	WTR1028
9	Flue Baffle	JKT1257
10	Safety Circuit Wire Harness	WRE1002
11	T&P Relief Valve	RLV1005
12	Exhaust Adaptor	DRV1203
13	Burner Assembly, NAT	BNR1301
14	Burner Assembly, LPG	BNR1302
15	Orifice, NAT	ORF1017
16	Orifice, LPG	ORF1032
17	Pilot Assembly, NAT	PLT1069
18	Pilot Assembly, LPG	PLT1070
19	Inner Door	JKT1109
20	Outer Door	JKT1049
21	Drain Valve	DRV1001
22	Gas Valve Sensor	TST1051
23	Gas Valve Nat	TST1024
23	Gas Valve LP	TST1025
25	Exhaust Termination Elbow	DRH1100
26	Flue Reducer	DRH1002
27	3/4 NPT Plug	MSC1018
28	Simulated Resistive Device	WRE1073

**PLEASE HAVE MODEL NUMBER AND SERIAL NUMBER WHEN ORDERING PARTS**