



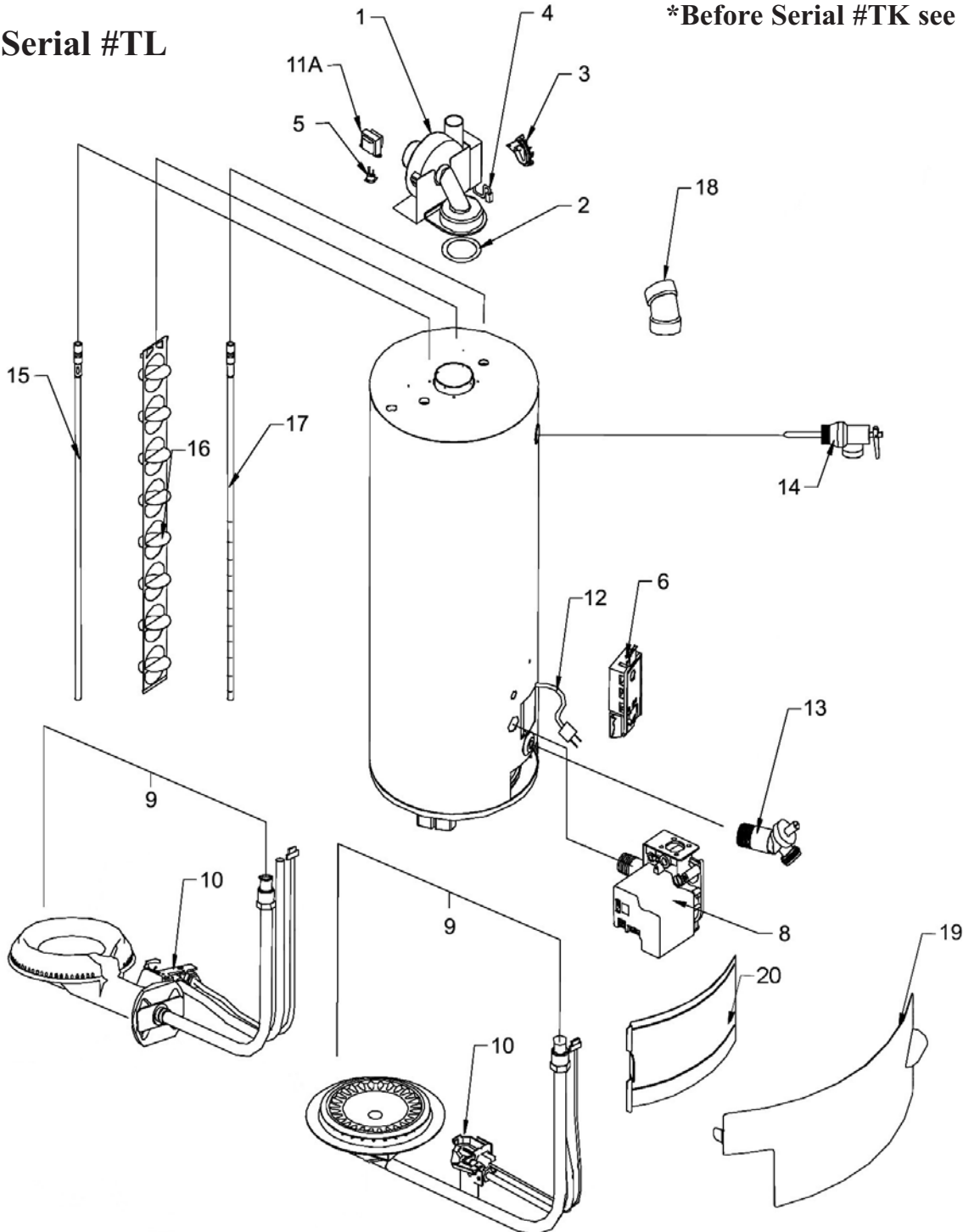
Replacement Parts List

PARTS & SERVICE DEPARTMENT
 Nashville, Tennessee
 615-889-8900 • Fax: 615-547-1000
 www.Lochinvar.com

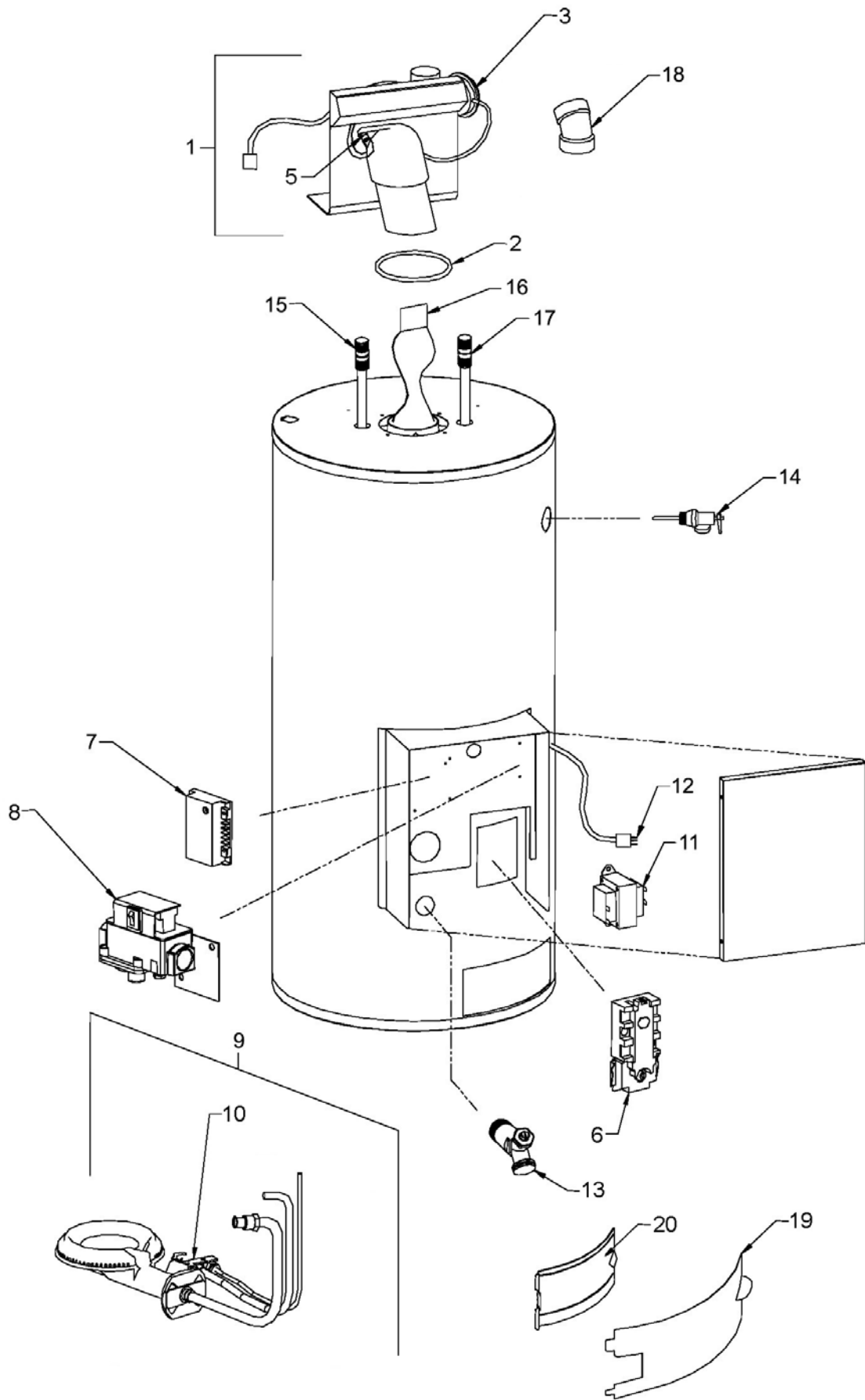
Residential Gas Power-Vented Models DVN & DVL 041 & 051

After Serial #TL

***Before Serial #TK see page 2**



Before Serial #TK



ITEM NO.	DESCRIPTION	MODEL NO.	
		DV(N,L)041	DV(N,L)051
1	BLOWER (BEFORE SERIAL #TK)	PVT1012	PVT1012
1	BLOWER (AFTER SERIAL #TL)	PVT1014	PVT1014
2	BLOWER GASKET (BEFORE SERIAL #TK)	GKT1030	GKT1030
2	BLOWER GASKET (AFTER SERIAL #TL)	GKT1031	GKT1031
3	PRESSURE SWITCH (BEFORE SERIAL #TK)	PRS1007	PRS1007
3	PRESSURE SWITCH (AFTER SERIAL #TL)	PRS1011	PRS1011
4	BLOWER WIRE HARNESS (BEFORE SERIAL #TK)	WRE1041	WRE1041
4	BLOWER WIRE HARNESS (AFTER SERIAL #TL)	WRE1045	WRE1045
5	HI LIMIT (BEFORE SERIAL #TK)	HLC1024	HLC1024
5	HI LIMIT (AFTER SERIAL #TL)	HLC1026	HLC1026
6	THERMOSTAT	TST1121	TST1121
7	IGNITION MODULE (ONLY BEFORE SERIAL #TK)	RLY1033	RLY1033
8	GAS VALVE NAT (BEFORE SERIAL #TK)	VAL1160	VAL1160
8	GAS VALVE NAT (AFTER SERIAL #TL)	VAL1170	VAL1170
8	GAS VALVE LPG (BEFORE SERIAL #TK)	VAL1161	VAL1161
8	GAS VALVE LPG (AFTER SERIAL #TL)	VAL1171	VAL1171
9	BURNER ASSEMBLY NAT (BEFORE SERIAL # TK)	BNR1078	BNR1075
9	BURNER ASSEMBLY NAT (AFTER SERIAL #TL)	BNR1210	BNR1211
9	BURNER ASSEMBLY LPG (BEFORE SERIAL #TK)	BNR1077	BNR1076
9	BURNER ASSEMBLY LPG (AFTER SERIAL #TL)	BNR1220	BNR1221
10	PILOT ASSEMBLY NAT (BEFORE SERIAL #TK)	PLT1043	PLT1043
10	PILOT ASSEMBLY NAT (AFTER SERIAL #TL)	PLT1217	PLT1217
10	PILOT ASSEMBLY LPG (BEFORE SERIAL #TK)	PLT1044	PLT1044
10	PILOT ASSEMBLY LPG (AFTER SERIAL #TL)	PLT1210	PLT1210
11	TRANSFORMER (BEFORE SERIAL #TK)	TRF1001	TRF1001
11	TRANSFORMER (AFTER SERIAL #TL)	TRF1003	TRF1003
12	POWER CORD	WRE1040	WRE1040
13	DRAIN VALVE	DRV1007	DRV1007
14	T&P RELIEF VALVE	RLV1001	RLV1001
15	ANODE, MAGNESIUM	WTR1060	WTR1060
15	ANODE, ALUMINUM	WTR1044	WTR1044
16	FLUE BAFFLE	JKT1052	JKT1052
17	DIP TUBE	WTR1063	WTR1063
18	VENT TERMINATION, 2" WITH SCREEN	DRH1052	DRH1052
19	OUTER DOOR	JKT1049	JKT1049
20	INNER DOOR	JKT1109	JKT1109

Please have model number and serial number when ordering parts

