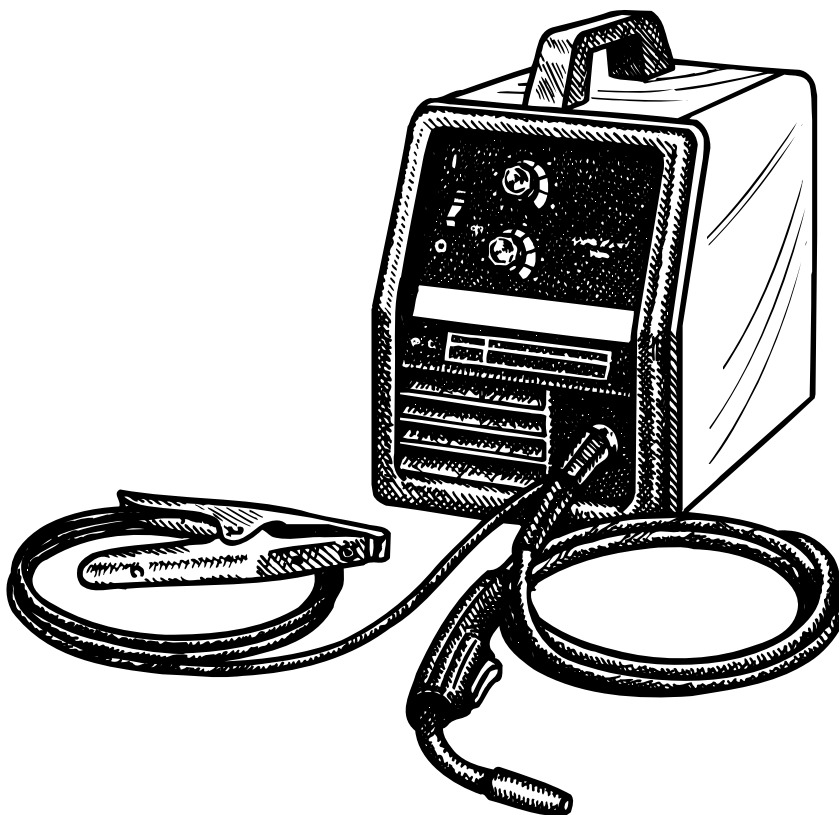


WELDMARK 135 PLUS

For use with machine Code Numbers : 10975

Safety Depends on You

Lincoln arc welding and cutting equipment is designed and built with safety in mind. However, your overall safety can be increased by proper installation ... and thoughtful operation on your part. **DO NOT INSTALL, OPERATE OR REPAIR THIS EQUIPMENT WITHOUT READING THIS MANUAL AND THE SAFETY PRECAUTIONS CONTAINED THROUGHOUT.** And, most importantly, think before you act and be careful.



OPERATOR'S MANUAL



Copyright © 2006 Lincoln Global Inc.

•Manufactured by Lincoln Electric Company •

Cleveland, Ohio 44117-1199 U.S.A. TEL: 216.481.8100 FAX: 216.486.1751 WEB SITE: www.lincolnelectric.com

⚠ WARNING

⚠ CALIFORNIA PROPOSITION 65 WARNINGS ⚠

Diesel engine exhaust and some of its constituents are known to the State of California to cause cancer, birth defects, and other reproductive harm.

The Above For Diesel Engines

The engine exhaust from this product contains chemicals known to the State of California to cause cancer, birth defects, or other reproductive harm.

The Above For Gasoline Engines

ARC WELDING CAN BE HAZARDOUS. PROTECT YOURSELF AND OTHERS FROM POSSIBLE SERIOUS INJURY OR DEATH. KEEP CHILDREN AWAY. PACEMAKER WEARERS SHOULD CONSULT WITH THEIR DOCTOR BEFORE OPERATING.

Read and understand the following safety highlights. For additional safety information, it is strongly recommended that you purchase a copy of "Safety in Welding & Cutting - ANSI Standard Z49.1" from the American Welding Society, P.O. Box 351040, Miami, Florida 33135 or CSA Standard W117.2-1974. A Free copy of "Arc Welding Safety" booklet E205 is available from the Lincoln Electric Company, 22801 St. Clair Avenue, Cleveland, Ohio 44117-1199.

BE SURE THAT ALL INSTALLATION, OPERATION, MAINTENANCE AND REPAIR PROCEDURES ARE PERFORMED ONLY BY QUALIFIED INDIVIDUALS.



FOR ENGINE powered equipment.

1.a. Turn the engine off before troubleshooting and maintenance work unless the maintenance work requires it to be running.



1.b. Operate engines in open, well-ventilated areas or vent the engine exhaust fumes outdoors.



1.c. Do not add the fuel near an open flame welding arc or when the engine is running. Stop the engine and allow it to cool before refueling to prevent spilled fuel from vaporizing on contact with hot engine parts and igniting. Do not spill fuel when filling tank. If fuel is spilled, wipe it up and do not start engine until fumes have been eliminated.

1.d. Keep all equipment safety guards, covers and devices in position and in good repair. Keep hands, hair, clothing and tools away from V-belts, gears, fans and all other moving parts when starting, operating or repairing equipment.

1.e. In some cases it may be necessary to remove safety guards to perform required maintenance. Remove guards only when necessary and replace them when the maintenance requiring their removal is complete. Always use the greatest care when working near moving parts.



1.f. Do not put your hands near the engine fan. Do not attempt to override the governor or idler by pushing on the throttle control rods while the engine is running.

1.g. To prevent accidentally starting gasoline engines while turning the engine or welding generator during maintenance work, disconnect the spark plug wires, distributor cap or magneto wire as appropriate.



1.h. To avoid scalding, do not remove the radiator pressure cap when the engine is hot.



ELECTRIC AND MAGNETIC FIELDS may be dangerous

2.a. Electric current flowing through any conductor causes localized Electric and Magnetic Fields (EMF). Welding current creates EMF fields around welding cables and welding machines

2.b. EMF fields may interfere with some pacemakers, and welders having a pacemaker should consult their physician before welding.

2.c. Exposure to EMF fields in welding may have other health effects which are now not known.

2.d. All welders should use the following procedures in order to minimize exposure to EMF fields from the welding circuit:

2.d.1. Route the electrode and work cables together - Secure them with tape when possible.

2.d.2. Never coil the electrode lead around your body.

2.d.3. Do not place your body between the electrode and work cables. If the electrode cable is on your right side, the work cable should also be on your right side.

2.d.4. Connect the work cable to the workpiece as close as possible to the area being welded.

2.d.5. Do not work next to welding power source.

Mar '95



ELECTRIC SHOCK can kill.

- 3.a. The electrode and work (or ground) circuits are electrically "hot" when the welder is on. Do not touch these "hot" parts with your bare skin or wet clothing. Wear dry, hole-free gloves to insulate hands.
- 3.b. Insulate yourself from work and ground using dry insulation. Make certain the insulation is large enough to cover your full area of physical contact with work and ground.
- In addition to the normal safety precautions, if welding must be performed under electrically hazardous conditions (in damp locations or while wearing wet clothing; on metal structures such as floors, gratings or scaffolds; when in cramped positions such as sitting, kneeling or lying, if there is a high risk of unavoidable or accidental contact with the workpiece or ground) use the following equipment:**
- Semiautomatic DC Constant Voltage (Wire) Welder.
 - DC Manual (Stick) Welder.
 - AC Welder with Reduced Voltage Control.
- 3.c. In semiautomatic or automatic wire welding, the electrode, electrode reel, welding head, nozzle or semiautomatic welding gun are also electrically "hot".
- 3.d. Always be sure the work cable makes a good electrical connection with the metal being welded. The connection should be as close as possible to the area being welded.
- 3.e. Ground the work or metal to be welded to a good electrical (earth) ground.
- 3.f. Maintain the electrode holder, work clamp, welding cable and welding machine in good, safe operating condition. Replace damaged insulation.
- 3.g. Never dip the electrode in water for cooling.
- 3.h. Never simultaneously touch electrically "hot" parts of electrode holders connected to two welders because voltage between the two can be the total of the open circuit voltage of both welders.
- 3.i. When working above floor level, use a safety belt to protect yourself from a fall should you get a shock.
- 3.j. Also see Items 6.c. and 8.



ARC RAYS can burn.

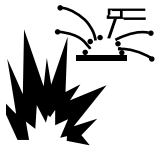
- 4.a. Use a shield with the proper filter and cover plates to protect your eyes from sparks and the rays of the arc when welding or observing open arc welding. Headshield and filter lens should conform to ANSI Z87.1 standards.
- 4.b. Use suitable clothing made from durable flame-resistant material to protect your skin and that of your helpers from the arc rays.
- 4.c. Protect other nearby personnel with suitable, non-flammable screening and/or warn them not to watch the arc nor expose themselves to the arc rays or to hot spatter or metal.



FUMES AND GASES can be dangerous.

- 5.a. Welding may produce fumes and gases hazardous to health. Avoid breathing these fumes and gases. When welding, keep your head out of the fume. Use enough ventilation and/or exhaust at the arc to keep fumes and gases away from the breathing zone. **When welding with electrodes which require special ventilation such as stainless or hard facing (see instructions on container or MSDS) or on lead or cadmium plated steel and other metals or coatings which produce highly toxic fumes, keep exposure as low as possible and below Threshold Limit Values (TLV) using local exhaust or mechanical ventilation. In confined spaces or in some circumstances, outdoors, a respirator may be required. Additional precautions are also required when welding on galvanized steel.**
- 5.b. Do not weld in locations near chlorinated hydrocarbon vapors coming from degreasing, cleaning or spraying operations. The heat and rays of the arc can react with solvent vapors to form phosgene, a highly toxic gas, and other irritating products.
- 5.c. Shielding gases used for arc welding can displace air and cause injury or death. Always use enough ventilation, especially in confined areas, to insure breathing air is safe.
- 5.d. Read and understand the manufacturer's instructions for this equipment and the consumables to be used, including the material safety data sheet (MSDS) and follow your employer's safety practices. MSDS forms are available from your welding distributor or from the manufacturer.
- 5.e. Also see item 1.b.

Mar '95

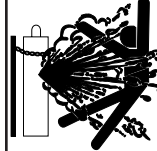


WELDING SPARKS can cause fire or explosion.

6.a. Remove fire hazards from the welding area. If this is not possible, cover them to prevent the welding sparks from starting a fire.

Remember that welding sparks and hot materials from welding can easily go through small cracks and openings to adjacent areas. Avoid welding near hydraulic lines. Have a fire extinguisher readily available.

- 6.b. Where compressed gases are to be used at the job site, special precautions should be used to prevent hazardous situations. Refer to "Safety in Welding and Cutting" (ANSI Standard Z49.1) and the operating information for the equipment being used.
- 6.c. When not welding, make certain no part of the electrode circuit is touching the work or ground. Accidental contact can cause overheating and create a fire hazard.
- 6.d. Do not heat, cut or weld tanks, drums or containers until the proper steps have been taken to insure that such procedures will not cause flammable or toxic vapors from substances inside. They can cause an explosion even though they have been "cleaned". For information, purchase "Recommended Safe Practices for the Preparation for Welding and Cutting of Containers and Piping That Have Held Hazardous Substances", AWS F4.1 from the American Welding Society (see address above).
- 6.e. Vent hollow castings or containers before heating, cutting or welding. They may explode.
- 6.f. Sparks and spatter are thrown from the welding arc. Wear oil free protective garments such as leather gloves, heavy shirt, cuffless trousers, high shoes and a cap over your hair. Wear ear plugs when welding out of position or in confined places. Always wear safety glasses with side shields when in a welding area.
- 6.g. Connect the work cable to the work as close to the welding area as practical. Work cables connected to the building framework or other locations away from the welding area increase the possibility of the welding current passing through lifting chains, crane cables or other alternate circuits. This can create fire hazards or overheat lifting chains or cables until they fail.
- 6.h. Also see item 1.c.



CYLINDER may explode if damaged.

7.a. Use only compressed gas cylinders containing the correct shielding gas for the process used and properly operating regulators designed for the gas and pressure used. All hoses, fittings, etc. should be suitable for the application and maintained in good condition.

- 7.b. Always keep cylinders in an upright position securely chained to an undercarriage or fixed support.
- 7.c. Cylinders should be located:
 - Away from areas where they may be struck or subjected to physical damage.
 - A safe distance from arc welding or cutting operations and any other source of heat, sparks, or flame.
- 7.d. Never allow the electrode, electrode holder or any other electrically "hot" parts to touch a cylinder.
- 7.e. Keep your head and face away from the cylinder valve outlet when opening the cylinder valve.
- 7.f. Valve protection caps should always be in place and hand tight except when the cylinder is in use or connected for use.
- 7.g. Read and follow the instructions on compressed gas cylinders, associated equipment, and CGA publication P-1, "Precautions for Safe Handling of Compressed Gases in Cylinders," available from the Compressed Gas Association 1235 Jefferson Davis Highway, Arlington, VA 22202.



FOR ELECTRICALLY powered equipment.

- 8.a. Turn off input power using the disconnect switch at the fuse box before working on the equipment.
- 8.b. Install equipment in accordance with the U.S. National Electrical Code, all local codes and the manufacturer's recommendations.
- 8.c. Ground the equipment in accordance with the U.S. National Electrical Code and the manufacturer's recommendations.

Mar '95

PRÉCAUTIONS DE SÛRETÉ

Pour votre propre protection lire et observer toutes les instructions et les précautions de sûreté spécifiques qui paraissent dans ce manuel aussi bien que les précautions de sûreté générales suivantes:

Sûreté Pour Soudage A L'Arc

1. Protégez-vous contre la secousse électrique:
 - a. Les circuits à l'électrode et à la pièce sont sous tension quand la machine à souder est en marche. Eviter toujours tout contact entre les parties sous tension et la peau nue ou les vêtements mouillés. Porter des gants secs et sans trous pour isoler les mains.
 - b. Faire très attention de bien s'isoler de la masse quand on soude dans des endroits humides, ou sur un plancher métallique ou des grilles métalliques, principalement dans les positions assis ou couché pour lesquelles une grande partie du corps peut être en contact avec la masse.
 - c. Maintenir le porte-électrode, la pince de masse, le câble de soudage et la machine à souder en bon et sûr état de fonctionnement.
 - d. Ne jamais plonger le porte-électrode dans l'eau pour le refroidir.
 - e. Ne jamais toucher simultanément les parties sous tension des porte-électrodes connectés à deux machines à souder parce que la tension entre les deux pinces peut être le total de la tension à vide des deux machines.
 - f. Si on utilise la machine à souder comme une source de courant pour soudage semi-automatique, ces précautions pour le porte-électrode s'appliquent aussi au pistolet de soudage.
2. Dans le cas de travail au dessus du niveau du sol, se protéger contre les chutes dans le cas où on recoit un choc. Ne jamais enrouler le câble-électrode autour de n'importe quelle partie du corps.
3. Un coup d'arc peut être plus sévère qu'un coup de soliel, donc:
 - a. Utiliser un bon masque avec un verre filtrant approprié ainsi qu'un verre blanc afin de se protéger les yeux du rayonnement de l'arc et des projections quand on soude ou quand on regarde l'arc.
 - b. Porter des vêtements convenables afin de protéger la peau de soudeur et des aides contre le rayonnement de l'arc.
 - c. Protéger l'autre personnel travaillant à proximité au soudage à l'aide d'écrans appropriés et non-inflammables.
4. Des gouttes de laitier en fusion sont émises de l'arc de soudage. Se protéger avec des vêtements de protection libres de l'huile, tels que les gants en cuir, chemise épaisse, pantalons sans revers, et chaussures montantes.
5. Toujours porter des lunettes de sécurité dans la zone de soudage. Utiliser des lunettes avec écrans latéraux dans les zones où l'on pique le laitier.

6. Eloigner les matériaux inflammables ou les recouvrir afin de prévenir tout risque d'incendie dû aux étincelles.
7. Quand on ne soude pas, poser la pince à un endroit isolé de la masse. Un court-circuit accidentel peut provoquer un échauffement et un risque d'incendie.
8. S'assurer que la masse est connectée le plus près possible de la zone de travail qu'il est pratique de le faire. Si on place la masse sur la charpente de la construction ou d'autres endroits éloignés de la zone de travail, on augmente le risque de voir passer le courant de soudage par les chaînes de levage, câbles de grue, ou autres circuits. Cela peut provoquer des risques d'incendie ou d'échauffement des chaînes et des câbles jusqu'à ce qu'ils se rompent.
9. Assurer une ventilation suffisante dans la zone de soudage. Ceci est particulièrement important pour le soudage de tôles galvanisées plombées, ou cadmiées ou tout autre métal qui produit des fumeés toxiques.
10. Ne pas souder en présence de vapeurs de chlore provenant d'opérations de dégraissage, nettoyage ou pistolage. La chaleur ou les rayons de l'arc peuvent réagir avec les vapeurs du solvant pour produire du phosgène (gas fortement toxique) ou autres produits irritants.
11. Pour obtenir de plus amples renseignements sur la sûreté, voir le code "Code for safety in welding and cutting" CSA Standard W 117.2-1974.

PRÉCAUTIONS DE SÛRETÉ POUR LES MACHINES À SOUDER À TRANSFORMATEUR ET À REDRESSEUR

1. Relier à la terre le chassis du poste conformément au code de l'électricité et aux recommandations du fabricant. Le dispositif de montage ou la pièce à souder doit être branché à une bonne mise à la terre.
2. Autant que possible, l'installation et l'entretien du poste seront effectués par un électricien qualifié.
3. Avant de faire des travaux à l'intérieur de poste, la débrancher à l'interrupteur à la boîte de fusibles.
4. Garder tous les couvercles et dispositifs de sûreté à leur place.

Mar. '93

Thank You

for selecting a **QUALITY** product by Lincoln Electric. We want you to take pride in operating this Lincoln Electric Company product
 ••• as much pride as we have in bringing this product to you!

Please Examine Carton and Equipment For Damage Immediately

When this equipment is shipped, title passes to the purchaser upon receipt by the carrier. Consequently, Claims for material damaged in shipment must be made by the purchaser against the transportation company at the time the shipment is received.

Please record your equipment identification information below for future reference. This information can be found on your machine nameplate.

Product _____

Model Number _____

Code Number or Date Code _____

Serial Number _____

Date Purchased _____

Where Purchased _____

Whenever you request replacement parts or information on this equipment, always supply the information you have recorded above. The code number is especially important when identifying the correct replacement parts.

On-Line Product Registration

- Register your machine with Lincoln Electric either via fax or over the Internet.

- For faxing: Complete the form on the back of the warranty statement included in the literature packet accompanying this machine and fax the form per the instructions printed on it.
- For On-Line Registration: Go to our **WEB SITE at www.lincolnelectric.com**. Choose "Quick Links" and then "Product Registration". Please complete the form and submit your registration.

Read this Operators Manual completely before attempting to use this equipment. Save this manual and keep it handy for quick reference. Pay particular attention to the safety instructions we have provided for your protection. The level of seriousness to be applied to each is explained below:

WARNING

This statement appears where the information **must** be followed **exactly** to avoid **serious personal injury** or **loss of life**.

CAUTION

This statement appears where the information **must** be followed to avoid **minor personal injury** or **damage to this equipment**.

TABLE OF CONTENTS

	Page
<hr/>	
Installation	Section A
Technical Specifications	A-1
Identify and Locate Components	A-2
Select Suitable Location	A-3
Output Connections	A-3
Input Connections	A-5
Code Requirements	A-6
<hr/>	
Operation	Section B
Safety Precautions	B-1
General Description	B-2
Design Features and Advantages	B-2
Welding Capability	B-2
Limitations	B-2
Controls and Settings	B-2
Welding Operations	B-3
Overload Protection	B-7
Application Chart	B-8
<hr/>	
Accessories	Section C
Accessories	C-1
Replacement Parts	C-2
<hr/>	
Maintenance	Section D
Safety Precautions	D-1
Items Requiring No Maintenance	D-1
Routine and Periodic Maintenance	D-1
Gun and Cable Maintenance	D-2
Configuration of Components in Wire Feeding System	D-2
Component Replacement Procedures	D-3
Changing Liner	D-4
Gun Handle Parts	D-4
<hr/>	
Troubleshooting	Section E
Safety Precautions	E-1
How To Use Troubleshooting Guide	E-1
Troubleshooting Guide	E-2 THRU E-4
<hr/>	
Wiring Diagrams	Section F
WELDMARK 135 PLUS Wiring Diagram	F-1
<hr/>	
Parts Lists	P 465 & P202-E
<hr/>	

TECHNICAL SPECIFICATIONS – WELDMARK 135 PLUS

INPUT – SINGLE PHASE ONLY		
<u>Standard Voltage/Frequency</u> 115V/60Hz 115V/60Hz 115V/60Hz	<u>Input Current</u> 20 Amps - Rated Output 25 Amps - Maximum Output 15 Amps - CSA Rated output	
RATED OUTPUT		
<u>Duty Cycle</u> 20% Duty Cycle – Rated DC Output	<u>Amps</u> 90	<u>Volts at Rated Amperes</u> 18
OUTPUT		
<u>Welding Current Range (Continuous)</u> Rated DC Output: 25 – 135 Amps	<u>Maximum Open Circuit Voltage</u> 28	<u>Auxiliary Power</u> N/A

RECOMMENDED INPUT CABLE AND FUSE SIZES					
Output Mode	Input Voltage	Fuse or Breaker Size	Input Amps	Extension Cord	
RATED	115V/60Hz	20 Amp	20	Three Conductor #14 AWG (2.1 mm ²) or Larger for up to 25 feet (7.6m)	
MAXIMUM	115V/60Hz	25 Amp	25	Three Conductor #12 AWG (3.3 mm ²) or Larger for up to 50 feet (15.2 m)	

PHYSICAL DIMENSIONS			
Height	Width	Depth	Weight
12.0 in	9.75 in	16.5 in	54 lbs
305 mm	248 mm	419 mm	24.3 kg

Read entire installation section before starting installation.

SAFETY PRECAUTIONS

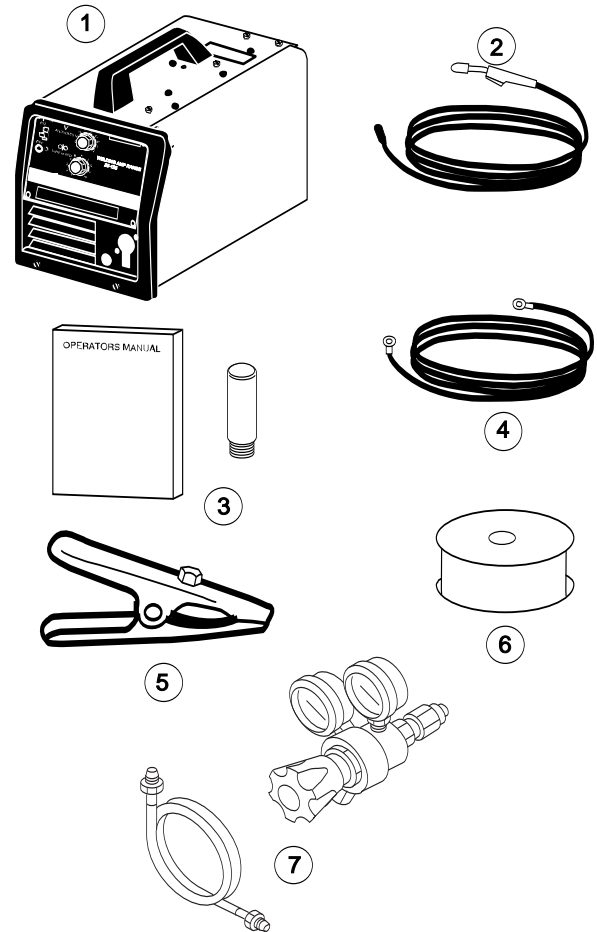
WARNING



ELECTRIC SHOCK can kill.

- Only qualified personnel should perform this installation.
- Only personnel that have read and understood the WELDMARK 135 PLUS Operating Manual should install and operate this equipment.
- Machine must be plugged into a receptacle which is grounded per any national, local or other applicable electrical codes.
- The WELDMARK135 PLUS power switch is to be in the OFF ("O") position when installing work cable and gun and when connecting power cord to input power.

FIGURE A.1



IDENTIFY AND LOCATE COMPONENTS

If you have not already done so, unpack the Welder from its carton and remove all packing material. Remove the following loose items from the carton (see Figure A.1):

1. WELDMARK 135 PLUS
2. Gun and cable assembly⁽¹⁾
3. Literature and miscellaneous including:
 - a) This operating manual
 - b) A contact tip for .030" (0.8 mm) diameter wire.
4. 10 ft (3.0 m) work cable.
5. Work clamp.
6. Sample Spool of Super Arc L-56 .025 MIG Wire.
7. Adjustable mixed-Gas Regulator & Hose.

For available options and accessories refer to the accessories section later in this manual.

¹⁾ As shipped from the factory, the welding gun is ready to feed .023 or .025 (0.6 mm) wire.

SELECT SUITABLE LOCATION

Locate the welder in a dry location where there is free circulation of clean air into the louvers in the back and out the front of the unit. A location that minimizes the amount of smoke and dirt drawn into the rear louvers reduces the chance of dirt accumulation that can block air passages and cause overheating.

STACKING

WELDMARK 135 PLUS cannot be stacked.

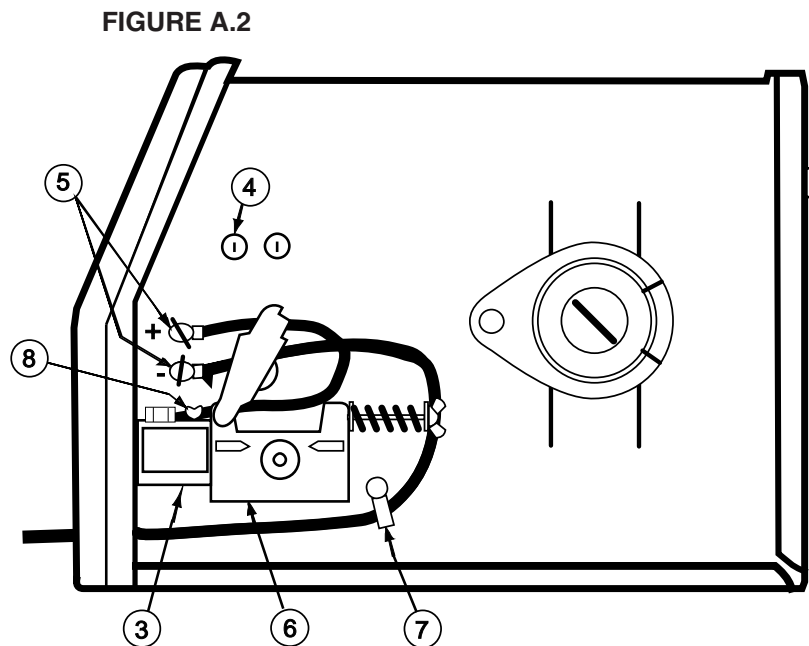
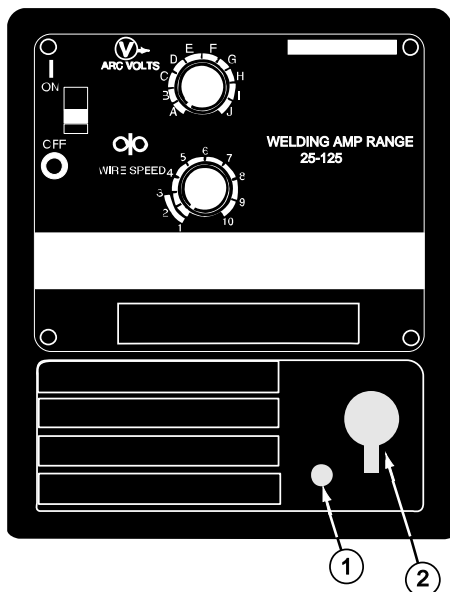
TILTING

Each machine must be placed on a secure, level surface, either directly or on a recommended undercarriage. The machine may topple over if this procedure is not followed.

OUTPUT CONNECTIONS

Refer to Figure A.2.

1. Work Cable Access Hole.
2. Gun Cable and Control Lead Access Hole.
3. Connector Block.
4. Gun Trigger Lead Connectors.
5. Positive (+) and negative (-) output terminals.
6. Wire Feed Gearbox and Gun Connector Block
7. Cable Clamp
8. Thumbscrew - Secures gun and cable assembly



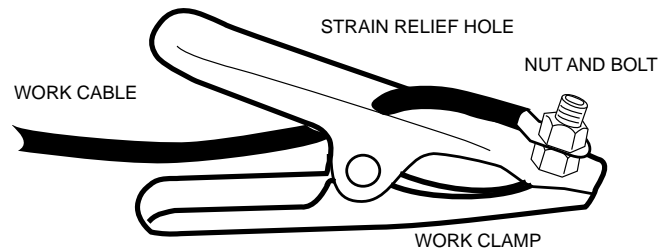
WELDMARK 135 PLUS

Work Clamp Installation

Attach the work clamp per the following:

1. Unplug the machine or turn the power switch to the "OFF" position.
2. Insert the work cable terminal lug with the larger hole through the strain relief hole in the work clamp as shown in Figure A-3.
3. Fasten securely with the bolt and nut provided.

FIGURE A.3



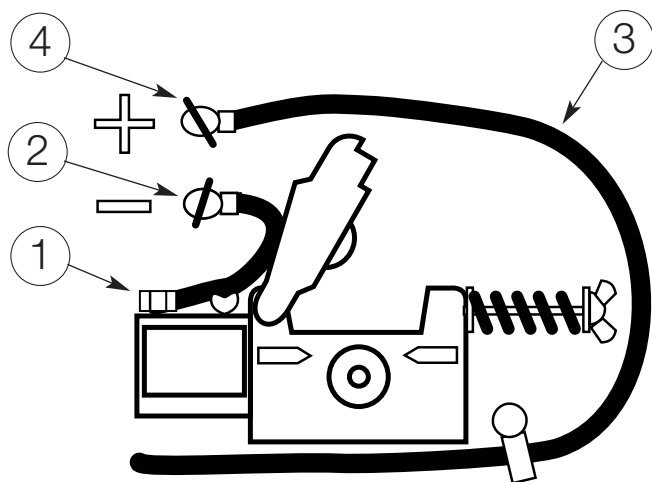
Work Cable Installation

Refer to Figure A.2.

1. Open the wire feed section door on the right side of the welder.
2. Pass the end of the work cable that has the terminal lug with the smaller hole through the Work Cable Access Hole (1) in the case front.

3. Route the cable under and around the back of the Wire Feed Gearbox (6).
4. **For GMAW Only:** Refer to Figure A.2. As delivered, the welder is wired for positive polarity. This is the appropriate configuration for the Gas Metal Arc Welding (GMAW) process. To complete installation, use the provided wing nut to connect the work cable's terminal lug to the negative (-) output terminal (5) located above the Wire Feed Gearbox (6). Make sure that both wing nuts are tight.
5. **For Innershield Only:** Refer to Figure A.4. To wire for negative polarity, connect the short cable attached to the connector block (1) to the negative (-) output terminal (2) and the work cable (3) to the positive (+) terminal (4).

FIGURE A.4



GUN INSTALLATION

As shipped from the factory, the welding gun is ready to feed .023 - .025" (0,6 mm) wire. If .030-.035 (0.8-0.9 mm) wire is to be used, change the contact tip to the appropriate size. Refer to the MAINTENANCE section for contact tip installation details.

Note: If .035 Innershield Flux cored wire is to be used, see the accessories section for the Innershield welding kit.

Connecting Gun Cable to the WELDMARK 135 PLUS

1. Refer to Figure A.2. Unplug the machine or turn power switch to the off "O" position.
2. Pass the insulated terminals of the gun trigger control leads, one at a time, through the Gun Cable and Control Lead Access Slot (2) in the case front. The leads are to be routed under the Wire Feed Gearbox (6) and through the Cable Hanger (7) on the inner panel.

3. Insert the connector on the gun conductor cable through the Gun Cable Access Hole (2) in the WELDMARK 135 PLUS case front. Make sure the connector is all the way in the metal connector block to obtain proper gas flow. Rotate the connector so control leads are on the underside and tighten the Thumbscrew (8) in the connector block.
4. Connect the gun trigger control lead terminals to the two insulated 1/4" (6,4 mm) tab connector bushings located above the "Gun Trigger Connection" decal in the wire feed section (4). Either lead can go to either connector. Form the leads so that they are as close as possible to the inside panel.

⚠ CAUTION

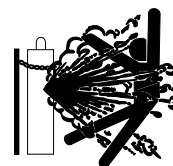
If the gun trigger switch being used is other than that supplied with the welder, the switch must be a normally open, momentary switch. The terminals of the switch must be insulated from the welding circuit. Malfunction of the welder will result if this switch shorts to the welding output circuit or is common to any electrical circuit other than the welder trigger circuit.

GAS CONNECTION

Refer to Figure A.5

When using the GMAW process, a cylinder of shielding gas, must be obtained. For more information about selecting gas cylinders for use with the welder, refer to the ACCESSORIES section.

⚠ WARNING



CYLINDER may explode if damaged. Keep cylinder upright and chained to support

- Keep cylinder away from areas where it may be damaged.
- Never lift welder with cylinder attached.
- Never allow welding electrode to touch cylinder.
- Keep cylinder away from welding or other live electrical circuits.

⚠ WARNING

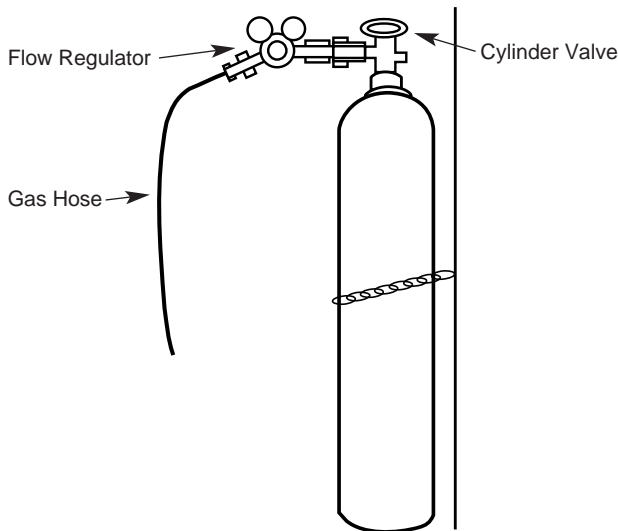


BUILDUP OF SHIELDING GAS may harm health or kill.

- Shut off shielding gas supply when not in use.
- SEE AMERICAN NATIONAL STANDARD Z-49.1, "SAFETY IN WELDING AND CUTTING" PUBLISHED BY THE AMERICAN WELDING SOCIETY.

1. Chain the cylinder to a wall or other stationary support to prevent the cylinder from falling over. Insulate the cylinder from the work circuit and earth ground.

FIGURE A.5



2. With the cylinder securely installed, remove the cylinder cap. Stand to one side away from the outlet and open the cylinder valve very slightly for an instant. This blows away any dust or dirt which may have accumulated in the valve outlet.

⚠ WARNING

BE SURE TO KEEP YOUR FACE AWAY FROM THE VALVE OUTLET WHEN "CRACKING" THE VALVE. Never stand directly in front of or behind the flow regulator when opening the cylinder valve. Always stand to one side.

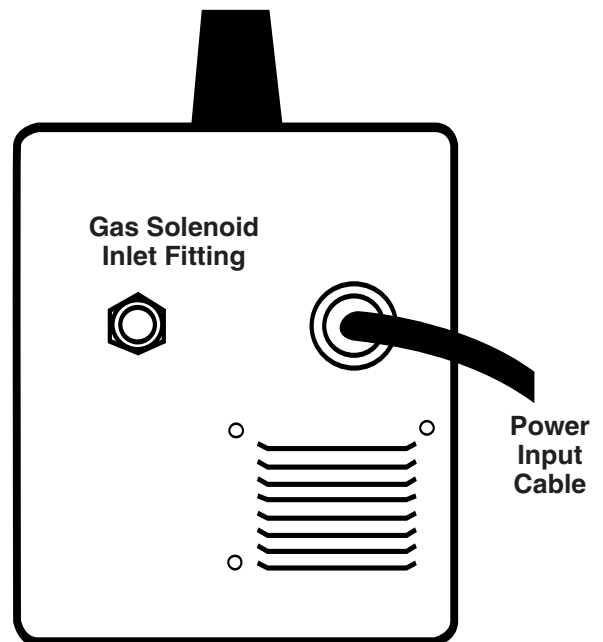
3. Attach the flow regulator to the cylinder valve and tighten the union nut securely with a wrench. The flow regulator for carbon dioxide **must** have a plastic washer seated in the fitting that attaches to the cylinder to prevent leakage.
4. Refer to Figure A.6. Attach one end of inlet gas hose to the outlet fitting of the flow regulator and tighten the union nut securely with a wrench. Connect the other end to the Gas Solenoid Inlet Fitting (5/8-18 female threads — for CGA — 032 fitting). Make certain the gas hose is not kinked or twisted.

INPUT CONNECTIONS

Refer to Figure A.6.

The WELDMARK 135 PLUS has two input connections, the power input cable, and the Gas Solenoid Inlet Fitting. Both are located on the rear of the machine.

FIGURE A.6



CODE REQUIREMENTS FOR INPUT CONNECTIONS

WARNING

This welding machine must be connected to power source in accordance with applicable electrical codes.

The United States National Electrical Code (Article 630-B, 1990 Edition) provides standards for amperage handling capability of supply conductors based on duty cycle of the welding source.

If there is any question about the installation meeting applicable electrical code requirements, consult a qualified electrician.

Requirements For Rated Output

A power cord with a 15 amp, 125 volt, three prong plug (NEMA Type 5-15P) is factory installed on the welder. Connect this plug to a mating grounded receptacle which is connected to a 20 amp branch circuit with a nominal voltage rating of 115 to 125 volts, 60 Hertz, AC only.

The rated output with this installation is 90 amps, 18 Volts, 20% duty cycle (2 minutes of every 10 minutes used for welding).

CAUTION

Do not connect the welder to an input power supply with a rated voltage that is greater than 125 volts.

Do not remove the power cord ground prong.

Requirements For Maximum Output

In order to utilize the maximum output capability of the machine, a branch circuit capable of 25 amps at 115 to 125 volts, 60 Hertz is required. This generally applies when welding steel that is equal to or greater than 12 gauge, 0.105" (2.5 mm) in thickness.

Read entire Operation section before operating the WELDMARK 135 PLUS.

 **WARNING**



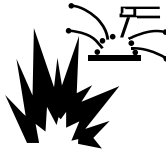
ELECTRIC SHOCK can kill.

- Do not touch electrically live parts or electrode with skin or wet clothing. Insulate yourself from work and ground.
- Always wear dry insulating gloves.



FUMES AND GASES can be dangerous.

- Keep your head out of fumes.
- Use ventilation or exhaust to remove fumes from breathing zone.



WELDING SPARKS can cause fire or explosion.

- Keep flammable material away.
- Do not weld on closed containers.



ARC RAYS can burn eyes and skin.

- Wear eye, ear and body protection.

Observe all safety information throughout this manual.

GENERAL DESCRIPTION

The WELDMARK 135 PLUS is a complete semiautomatic constant voltage DC arc welding machine. Included is a solid state controlled, single phase constant voltage transformer/ rectifier power source and a wire feeder for feeding solid steel electrode and cored electrode.

The WELDMARK 135 PLUS is ideally suited for individuals having access to 115 volt AC input power, and wanting the ease of use, quality and dependability of both gas metal arc welding or GMAW (also known as MIG welding) and the Innershield electrode process (self shielded flux cored or FCAW). The WELDMARK135 PLUS is a rugged and reliable machine that has been designed for dependable service and long life.

RECOMMENDED PROCESSES

The WELDMARK 135 PLUS can be used for welding mild steel using the GMAW, single pass, process which requires a supply of shielding gas or it can be used for the self shielded, Innershield electrode process (FCAW). The WELDMARK 135 PLUS is configured for use with the GMAW (MIG) process as delivered from the factory.

OPERATIONAL FEATURES AND CONTROLS

The WELDMARK 135 PLUS has the following controls as standard: Power ON/OFF Switch, Voltage Control, Wire Speed Control, and a Circuit Breaker.

DESIGN FEATURES AND ADVANTAGES

- Operates on 115 volt input .
- Solid state output control.
- “Cold electrode” until gun trigger is pressed for an added measure of safety.
- Overload protection — incorporates both a thermostat and a circuit breaker.
- Quality wire drive with electronic overload protection.
- Easy-to-set continuous range controls for precise setting of arc voltage and wire speed.
- Continuous voltage control.
- “Quick Release” idle roll pressure arm is easily adjusted.

- Reversible, dual groove drive roll. Drive roll will feed .023-.035” (0.6- 0.9 mm) diameter wire.
- Accommodates both 8” (200 mm) diameter and 4” (100 mm) diameter spools of wire.
- No external shielding gas is required when used with Lincoln Innershield .035” (0,9 mm) NR®-211-MP electrode.
- Easy to change polarity.

WELDING CAPABILITY

The WELDMARK135 PLUS, as shipped, is rated at 90 amps, 18 volts, at 20% duty cycle on a ten minute basis. It is capable of higher duty cycles at lower output currents.

LIMITATIONS

Arc Gouging cannot be performed with the WELDMARK 135 PLUS and it is not recommended for pipe thawing.

CONTROLS AND SETTINGS

Refer to Figures B.1a & B.1b.

1. Power ON/OFF Switch — When the power is on the fan motor will run and air will be exhausted out the louvers in the front of the machine. The welding output and wire feeder remain off until the gun trigger is pressed.



2. Voltage Control — A continuous control that gives full range adjustment of power source output voltage. Voltage can be adjusted while welding.



3. Wire Speed Control — Controls the wire feed speed from 50 – 400 in /min (1.3 – 10 m/min). The control can be preset on the dial to the setting specified on the welder Application Chart located on the inside of the wire feed section door. Wire speed is not affected when changes are made in the voltage control.



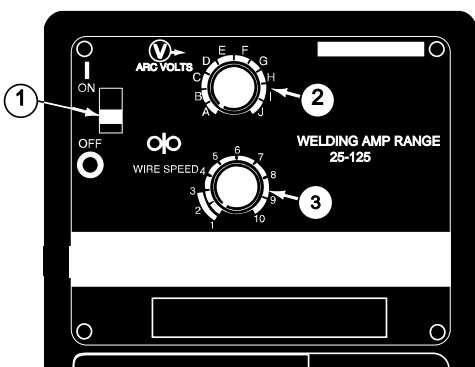
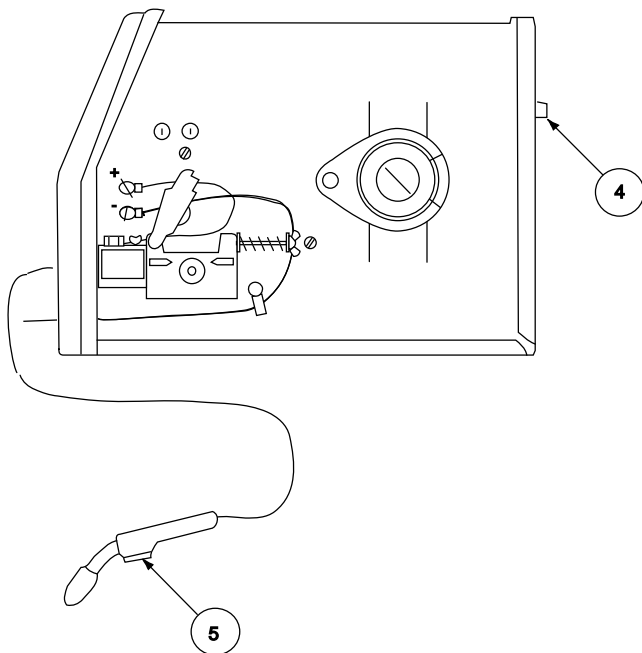


FIGURE B.1a

4. Circuit Breaker – Protects machine from damage if maximum output is exceeded. Button will extend out when tripped (Manual reset).
5. Gun Trigger - Activates welding output, wire feed, and gas solenoid operation. Releasing the trigger deactivates welding and simultaneously activates the “burnback” function so that the welding wire does not stick in the weld puddle.

FIGURE B.1b



WELDING OPERATIONS

SEQUENCE OF OPERATION

Wire Loading

Refer to Figure B.2 AND B3.

The machine power switch should be turned to the OFF (“O”) position before working inside the wire feed enclosure.

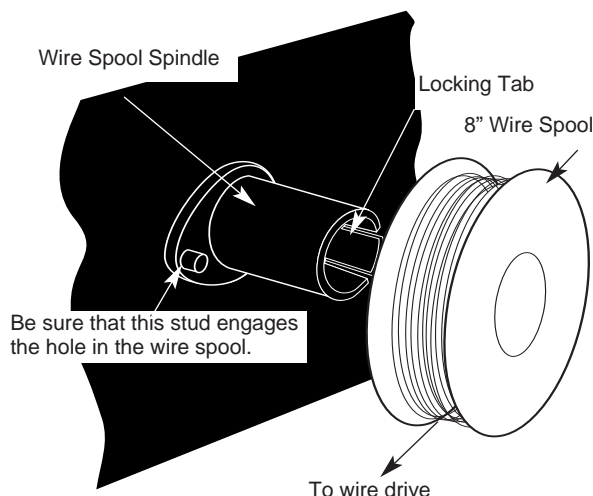
The machine is shipped from the factory ready to feed 4” (100 mm) diameter spools. A 4” (100 mm) diameter spool is mounted directly on the 5/8” (16 mm) diameter spindle that has a built-in adjustable friction brake to prevent overrun of the spool and excess slack in the wire. The wing nut at the end of the shaft is used to adjust the tension on the wire spool (See B.3 on the following page).

To use 8” (200 mm) diameter spools, the 2” (51 mm) diameter M15445 spindle must be used. Remove the spacer and wing nut at the end of the shaft. Insert spindle as shown in figure B.2. Reattach spacer and wing nut.

Note: When loading and removing the 8” Spools make sure that the wing nut (inside the wire spool spindle hub) is turned 90° from the wire spool locking tab. If the wing nut is positioned in line with the locking tab, the tab cannot be depressed to load or unload the wire spool.

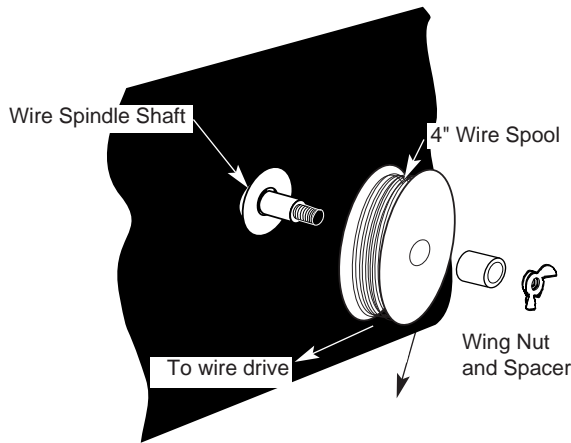
Make certain the start end of the wire, which may protrude through the side of the spool, does not contact any metallic case parts.

FIGURE B.2



Wire Spool must be pushed all the way on the spindle so that the spindle’s tab will hold it in place. The Wire Spool must rotate clockwise when wire is dereeled.

FIGURE B.3



Friction Brake Adjustment

With wire spool installed on the spindle shaft and the wing nut loose, turn the spool by hand while slowly tightening the wing nut until a light drag is felt. Tighten the wing nut an additional 1/4 turn.

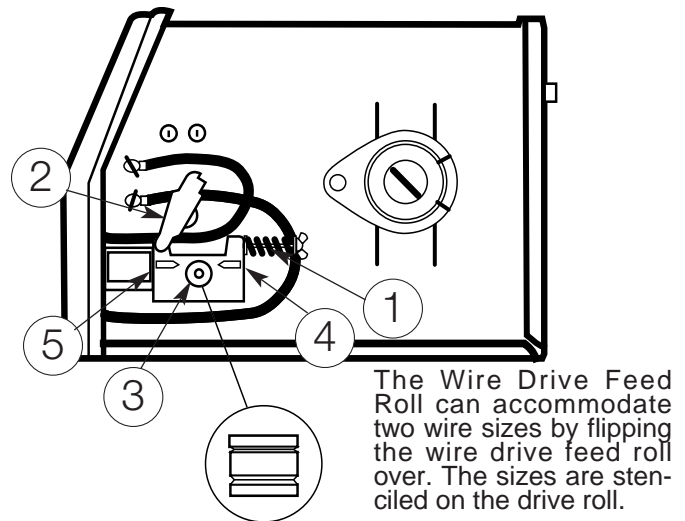
Note: When properly adjusted, the brake should provide only enough drag to prevent overrun of the spool and excess slack in the wire. Too much drag may result in wire feeding problems, and may cause premature wear of wire drive system components.

Wire Threading

Refer to Figure B.4

1. Release the Spring Loaded Pressure Arm (1) rotate the Idle Roll Arm (2) away from the Wire Feed Drive Roll (3). Ensure that the visible, stenciled size on the drive roll matches the wire size being used.
2. Carefully detach the end of the wire from the spool. To prevent the spool from unwinding, do not release the wire until after step 5.
3. Cut the bent portion of wire off and straighten the first 4" (100 mm).
4. Thread the wire through the In-going guide tube (4), over the drive roll (3), and into the out-going guide tube (5).
5. Close the idle roll arm (2) and latch the spring loaded pressure arm (1) in place (now you may release the welding wire).

FIGURE B.4



6. The idle roll pressure adjustment wing nut is factory set to approximately five full turns from where the wing nut first engages the threads of the pressure arm (1). If feeding problems occur because the wire is flattened excessively, turn the pressure adjustment counter-clockwise to reduce distortion of the wire. Slightly less pressure may be required when using 0.023 – 0.025" (0,6 mm) wire. If the drive roll slips while feeding wire, the pressure should be increased until the wire feeds properly.

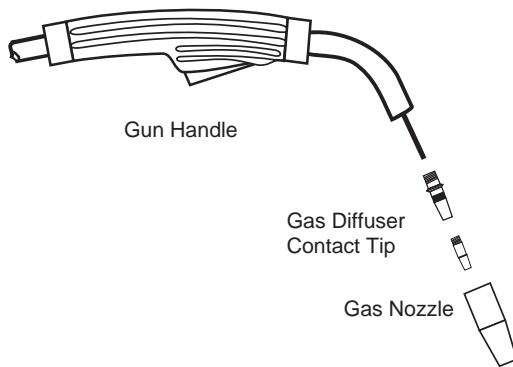
WARNING

When inching the welding wire, the drive rolls, the gun connector block and the gun contact tip are always energized relative to work and ground and remain energized several seconds after the gun trigger is released.

7. Refer to Figure B.5. Remove gas nozzle and contact tip from end of gun.
 8. Turn the WELDMARK 135 PLUS ON ("I").
 9. Straighten the gun cable assembly.
 10. Depress the gun trigger switch and feed welding wire through the gun and cable. (Point gun away from yourself and others while feeding wire.) Release gun trigger after wire appears at end of gun.
- Note:** If the wire will not feed smoothly, or if the wire feed motor shuts off unexpectedly, see the "FEEDING PROBLEMS" section of the "TROUBLESHOOTING GUIDE" in this manual.
11. Replace contact tip and gas nozzle.

12. Refer to Figure B-6. Cut the wire off 3/8" – 1/2" (10 – 13 mm) from the end of the tip. The WELDMARK 135 PLUS is now ready to weld.

FIGURE B.5



Shielding Gas

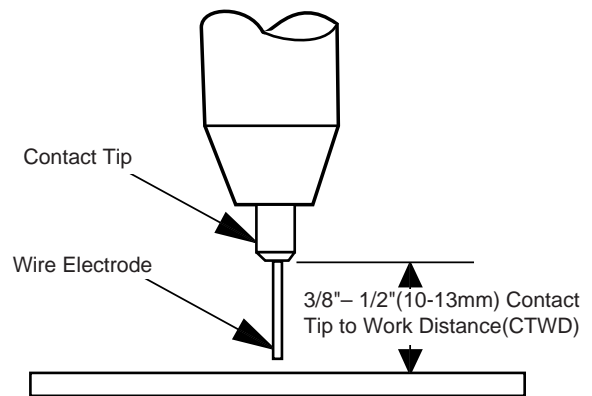
When using the GMAW process, a cylinder of shielding gas, must be obtained. Refer to the ACCESSORIES section for more information about selecting gas cylinders for use with the WELDMARK 135 PLUS.

1. For CO₂, open the cylinder very slowly. For argon-mixed gas, open cylinder valve slowly a fraction of a turn. When the cylinder pressure gauge pointer stops moving, open the valve fully.
2. If using a regulator with an adjustable flow meter, close the gun trigger and adjust the flow to give 15 – 20 cubic ft per hour (CFH) (7 – 10 l/min) [use 20 – 25 CFH (10 – 12 l/min) when welding out of position or in a drafty location for CO₂]. For argon mixed gas, trigger to release gas pressure, and turn off the adjust the flow to give 25 – 30 CFH (12 – 14 l/min).
3. Keep the cylinder valve closed, except when using the welder. When finished welding:
 - a) Close the cylinder valve to stop gas flow.
 - b) Depress the gun trigger briefly to release the pressure in the gas hose.
 - c) Turn off the welder.

Making A Weld

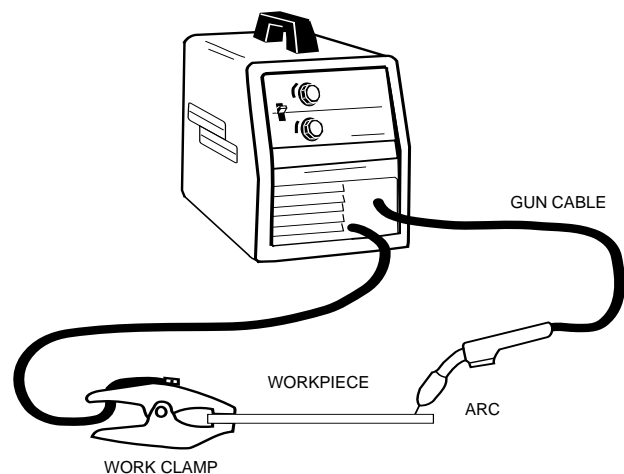
1. See Recommended Processes And Equipment section for selection of welding wire and shielding gas and for range of metal thicknesses that can be welded.
2. See the Application Chart on the inside of wire feed section door for information on setting the SP-135 PLUS controls.
3. Set the Voltage (“V”) and Wire Speed (“lo”) controls to the settings suggested for the welding wire and base metal thickness being used.

FIGURE B.6



4. Check that the polarity is correct for the welding wire being used and that the gas supply, if required, is turned on.
5. When using Innershield electrode, remove the gas nozzle and install the gasless nozzle. This will improve visibility of the arc and protect the gas diffuser from weld spatter. Refer to the MAINTENANCE section for details on nozzle replacement.
6. Refer to Figure B.7. Connect work clamp to metal to be welded. Work clamp must make good electrical contact to the workpiece. The workpiece must also be grounded as stated in “Arc Welding Safety Precautions” in the beginning of this manual.
7. Position gun over joint. End of wire may be lightly touching the work.
8. Lower welding helmet, close gun trigger, and begin welding. Hold the gun so the contact tip to work distance is about 3/8 inch (10 mm).

FIGURE B.7



9. To stop welding, release the gun trigger and then pull the gun away from the work after the arc goes out.
10. When no more welding is to be done, close valve on gas cylinder (if used), momentarily operate gun trigger to release gas pressure, and turn off the welder.

Cleaning Tip And Nozzle

Clean the contact tip and nozzle to avoid arc bridging between the nozzle and contact tip which can result in a shorted nozzle, poor welds and an overheated gun. Hint: Anti-stick spray or gel, available from a welding supply distributor, may reduce buildup and aid in spatter removal.

PROCESS GUIDELINES

The WELDMARK 135 PLUS can be used for welding mild steel using the GMAW, single pass, process which requires a supply of shielding gas or it can be used for the self shielded, Innershield® process (FCAW).

The recommended gases and electrodes for GMAW are welding grade CO₂ gas or an argon-CO₂ blended gas (75 to 80% argon and 25 to 20% CO₂) and .025" (0.6 mm) diameter Lincoln L-56 mild-steel welding wire, supplied on 12-1/2 lb (5.7 kg) spools.

The recommended electrode for the self-shielded process is 0.035" (0,9 mm) diameter Lincoln Innershield NR-211-MP on 10 lb (4,5 kg) spools. This electrode can be used for all position welding of 20 gauge through 5/16" (1,0 – 8,0 mm) thick steel [multiple passes are required for 1/4" and 5/16" (6,0 and 8,0 mm)].

⚠ WARNING

Use of the GMAW process with the WELDMARK 135 PLUS on thicker materials than recommended may result in poor welds. The welds may "look" good, but may just be "sitting" on top of the plate. This is called "cold casting" and will result in weld failure.

The WELDMARK 135 PLUS is suitable for .035" Aluminum wire and .030" stainless wire. Refer to Table B.1 for Recommended Procedure Settings. Aluminum wire requires K663-2 Aluminum Welding kit. See ACCESSORIES section.

⚠ CAUTION

It is important when changing between welding with steel wire and aluminum to exchange feeding components due to the lubricant applied to steel wire. Failure to do so may result in contaminated welds when welding aluminum.

TABLE B.1-- WELDMARK135 PLUS Welding Procedures

Process	Welding Wire	Shielding Gas	Voltage/Wire Speed					
			22 ga	16 ga	12 ga	1/8"	3/16"	1/4"
MIG DC+	.035 Dia(0.9mm 4043 Aluminum Wire	100% Argon	C-5	E-8.5	H-10	J-10*	NR	NR
	.030 Dia 308L Stainless Steel Wire	98% Argon/ 2% Oxygen	D-3	E-4.5	F-6	H-8	NR	
			18 ga	16 ga	14 ga	12 ga	10 ga	

NR (Not Recommended)

*Test assembly preheated to 250° F.

CHANGING MACHINE OVER TO FEED OTHER WIRE SIZES

The WELDMARK135 PLUS is shipped from the factory ready to feed 0.023-0.025" (0,6 mm) diameter wire. To operate the welder with other sizes of wire, it is necessary to change the contact tip and change the drive roll over to other sizes. Refer to Changing the Contact Tip and Changing the Drive Roll, in the MAINTENANCE section, for specific information on these procedures.

WELDING WITH FCAW (Innershield)

Welding with Innershield requires an Innershield Welding Kit. A gasless nozzle is provided in the Innershield Welding Kit. When using Innershield electrode, installing the gasless nozzle will improve visibility of the arc and protect the gas diffuser from weld spatter. Additionally included is a gun cable liner to permit proper feeding of .035" (0,9 mm) Innershield wire. Refer to the ACCESSORIES section for details on obtaining this kit.

OVERLOAD PROTECTION

Output Overload

The WELDMARK 135 PLUS is equipped with a circuit breaker which protects the machine from potential damage from excessive output current. The circuit breaker button will extend out when tripped. The circuit breaker must be manually reset.

Thermal Protection

The WELDMARK 135 PLUS duty cycle is exceeded a thermostat will shut off the output until the machine cools to a normal operating temperature. This is an automatic function and is self resetting.

Wire Feed Overload Protection

If the WELDMARK 135 PLUS has an automatic electronic protection circuit to protect the wire feed motor. If excessive motor overload occurs (due to excessive feeding force, jammed drive rolls, or shorted motor leads) the circuit will shut down the wire feed motor and the welding power output.

The wire feed shut-down circuit will reset automatically when the gun trigger is released. However shut-down will reoccur if the overload situation is not corrected.

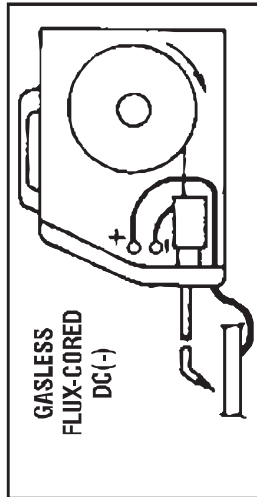
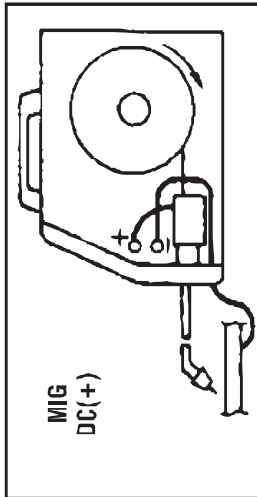
SUGGESTED SETTINGS FOR WELDING

FOR STAINLESS STEEL AND ALUMINUM SETTINGS - SEE MANUAL

PROCESS	WELDING WIRE	SHIELDING GAS	STEEL THICKNESS														
			24 ga .024 in. 0.60 mm	22 ga .030 in. 0.80 mm	20 ga .036 in. 1.0 mm	18 ga .048 in. 1.2 mm	16 ga .060 in. 1.5 mm	14 ga .075 in. 2.0 mm	12 ga .105 in. 2.5 mm	10 ga .135 in. 3.5 mm	3/16 in. 5.0 mm	1/4 in. 6.0 mm	5/16 in. 8.0 mm				
MIG DC(+)	.025 in. (0.6 mm) DIA. SOLID STEEL WIRE LINCOLN WELD [®] L-56	CO ₂	E-2.5	E-3	F-4	F-4.5	G-5	J-6									
		C20 or C25 (75-80% Argon, 25-20% CO ₂)	C-2.5 ⁽²⁾	D-3	E-4	F-5.5	G-6.5	H-7	J-8 ⁽¹⁾								
	.030 in. (0.8 mm) DIA. SOLID STEEL WIRE LINCOLN WELD [®] L-56	CO ₂		E-3	F-4	F-4.5	G-4.5	H-4.5									
GASLESS FLUX- CORED DC(-)	.035 in. (0.9 mm) DIA. INNERSHIELD NR-3-211-MIP	C20 or C25 (75-80% Argon, 25-20% CO ₂)	D-3	E-3.5	E-4	F-4.5	G-4.5	J-5.5 ⁽¹⁾									
		NONE		C-1	D-1.5	E-2	F-2.5	G-3 ⁽¹⁾	G-3 ^(1,3)	G-3 ^(1,3)	G-3 ^(1,3)	G-3 ^(1,3)	G-3 ^(1,3)				

PHOTO NOTES TO CHART
 (1) Minimum output setting. Do not use unless connected to a 25 amp branch circuit.
 (2) Minimum output setting. Do not use unless connected to a 25 amp branch circuit.
 (3) Multiple passes required.

OUTPUT POLARITY



DRIVE ROLL ORIENTATION

INSTALL DRIVE ROLL WITH THE REQUIRED STENCILED SIZE FACING OUT		GASLESS FLUX-CORED DC(-)	
MIG DC(+)	.030 (0.8 mm) DIA. SOLID STEEL WIRE	.035 (0.9 mm) DIA. INNERSHIELD NR-3-211-MIP	
	FOR BEST PERFORMANCE Use Size B, C25, C30 liner.		Optional: .035 hardened drive roll

Be sure to read and understand the warnings on this welding machine and the section on ARC WELDING SAFETY PRECAUTIONS in the Operating Manual. Because of the nature of the welding process, the results obtained in applying this type of information, the serviceability of a product or assembly is the responsibility of the builder/user.

WARNING: WHEN THE WELDING POWER SOURCE IS ON AND THE AIR PRESSURE REGULATOR FEEDS WIRE, WIRE FEED AND ELECTRICAL CONNECTIONS MUST BE MADE.

AVERTISSEMENT: LORSQU'ON MET LA SOURCE DE SOUDAGE EN COURS, IL FAUT S'ASSURER QUE LE RÈGULATEUR DE LA PRESSE-AIR ALIMENTE LA ROULETTE ET LES BRAS DE LA SOURCE.

MAGNUM[™] 100L gun and cable Consumable Parts	Contact Tips - Standard Duty Part No. S19726-1 For Wire Size .025 in. (0.6mm) .030 in. (0.8mm) .035 in. (0.9mm)	Contact Tips - Tip Flush Part No. M16284 Opening I.D. 1.2 in. (12.7mm)	Gas Nozzles - Tip Recessed Part No. M16684 M16684-1 M16684-2 Opening I.D. 3/8 in. (9.5mm) 1/2 in. (12.7mm) 5/8 in. (15.9mm)	Gasless Nozzle Part No. M16418	Gas Diffuser Part No. S19728
--	--	---	--	--	--

OPTIONAL ACCESSORIES

1. **K520 Utility Cart** — Designed to transport the Lincoln family of small welders. Has provisions for mounting a single gas cylinder. Has front casters and large rear wheels. Handle height is easily adjustable. Bottom tray provided for tools and accessories. Easy assembly required; takes less than 15 minutes.
2. **K586-1 Deluxe Adjustable Gas Regulator & Hose Kit**
Accommodates CO₂ or mixed Gas Cylinders.
3. **K663-2 Aluminum Welding Kit** — This kit is recommended for welding with .035 Aluminum wire. Included with this kit are a drive roll, liner and contact tip. **It is important when changing between welding with steel wire and aluminum to exchange these components due to the lubricant applied to steel wire. Failure to do so may result in contaminated welds when welding aluminum.**

See Maintenance section for instructions on installing drive roll, cable liner, contact tip and their proper configuration.

4. **KP666-035C Knurled Drive Roll (optional)** — Reversible Drive Roll with double knurled grooves for .035 (0.9 mm) cored electrode.
5. **K549-1 .035 (0.9 mm) Innershield Welding Kit**
Includes a contact tip, a gasless nozzle and a cable liner to permit the Magnum™ 100L gun and cable to use .030/.035" (0.8-0.9 mm) diameter flux-cored electrode. Also included is a spool of .035 (0.9 mm) Innershield NR-211-MP.

INNERSHIELD (FCAW) CONVERSION

Several changes are needed to convert the unit for operation with the Innershield (FCAW) process. The K549-1 Innershield Kit includes all the necessary accessories for this conversion and are provided for this purpose. The following conversions should be made using the contents of this kit:

1. Change the output polarity to DC(-). See "Work Cable Installation" section for details.
2. Install proper drive roll for the wire size selected. See "Changing Drive Roll" in Maintenance section for details.
3. Install the proper gun liner* and tip for the wire size selected. See "Component Replacement" in Maintenance section for details.
4. Remove gas nozzle (if installed) and install gasless nozzle. To remove, simply unscrew.

*The factory installed gun liner will feed .025-.035 (.06mm-.09mm) wire.

REPLACEMENT PARTS

Complete Gun and Cable Assembly
L8311-6 (K530-4)

Contact Tip .025" (0.6 mm)
KP2039-1B1

Contact Tip .030" (0.8 mm)
KP2039-2B1

Contact Tip .035" (0.9 mm)
KP2039-3B1

Contact Tip-Tapered .025" (0.6 mm)
KP2052-1B1

Contact Tip-Tapered .030" (0.8 mm)
KP2052-2B1

Contact Tip-Tapered .035" (0.9 mm)
KP2052-3B1

Contact Tip-Tapered .045" (1.2mm)
KP2052-4B1

Liner .025 - .035" (0.6 - 0.9 mm)
KP1937-3

Gas Diffuser
KP2040-1

Gas Nozzle
KP1938-1

**Gas Nozzle-Tip Recessed 3/8" (9.5 mm)
Opening I.D.**
KP1942-1

**Gas Nozzle-Tip Recessed 1/2" (12.7 mm)
Opening I.D.**
KP1942-1

**Gas Nozzle-Tip Recessed 5/8" (15.9 mm)
Opening I.D.**
KP1942-2

Spot Welding Nozzle
M17846-1

Gasless Nozzle (Innershield Only)
KP1939-1

MAINTENANCE

SAFETY PRECAUTIONS

WARNING



ELECTRIC SHOCK can kill.

- Disconnect input power by removing plug from receptacle before working inside WELDMARK 135 PLUS. Use only grounded receptacle. Do not touch electrically “hot” parts inside WELDMARK 135 PLUS.
- Have qualified personnel do the maintenance and trouble shooting work.

ITEMS REQUIRING NO MAINTENANCE

- Drive Motor and Gearbox – Lifetime lubrication
- Fan Motor- Lifetime lubrication.
- Wire Reel Spindle – Do NOT lubricate shaft.

ROUTINE AND PERIODIC MAINTENANCE

BEFORE EACH USE

- Check over machine and accessories for any obvious condition that may prevent safe performance or operation, repair or replace items as necessary to correct any abnormal condition.

AFTER 5 MINUTES OF WELDING or when spatter accumulates in nozzle

- Clean nozzle to avoid bridging between nozzle and contact tip which results in shorted nozzle, poor welds and overheated gun. Hint: Anti-stick spray or gel available from a welding supply distributor may reduce buildup and aid in spatter removal.

AFTER EACH SPOOL OF WIRE FEED

- Remove contact tip and clean inside diameter with short piece of wire
- Clean cable liner – when rough and erratic wire feeding occur.

AFTER FEEDING 50# OF FLUX CORED WIRE OR 300# OF SOLID WIRE

- Unplug machine or turn power switch to OFF – “O” position. Remove gun and cable from machine.
- Remove gas nozzle and contact tip from gun.
- Lay cable out straight - blow out gently into gun end with compressed air. Bend cable back and forth – blow out again – Repeat until clean.

WARNING

Excessive pressure at start may cause the dirt to form a plug.

PERIODICALLY AS REQUIRED

- Blow dirt out of the welder with low pressure air to eliminate excessive dirt and dust buildup that could cause welder to run hot.
- Blow dirt out of: Rectifier & Fan Motor Assembly; PC Board located on Case Side Assembly; and Center Assembly components.
- Vacuum accumulated dirt from gearbox and wire feed section.
- Inspect the incoming guide tube and clean inside diameter if necessary. Replace when excessively worn.
- Replace Contact Tip – when hole is enlarged or elongated (refer to “CHANGING THE CONTACT TIP”, in this section).
- Replace gas nozzle.
- Replace Liner – when wire feeding problems occur and other items have been checked (refer to “CHANGING LINER” procedure in this section).
- Replace internal gun handle parts as necessary (see Procedure at the end of this section).

GUN AND CABLE MAINTENANCE

FOR MAGNUM™ 100L GUN

Gun Cable Cleaning

Clean cable liner after using approximately 300 lbs (136 kg) of solid wire or 50 lbs (23 kg) of flux-cored wire. Remove the cable from the wire feeder and lay it out straight on the floor. Remove the contact tip from the gun. Using low pressure air, gently blow out the cable liner from the gas diffuser end.

CAUTION

Excessive pressure at the start may cause the dirt to form a plug.

Flex the cable over its entire length and again blow out the cable. Repeat this procedure until no further dirt comes out.

Contact Tips, Nozzles, and Gun Tubes

1. Dirt can accumulate in the contact tip hole and restrict wire feeding. After each spool of wire is used, remove the contact tip and clean it by pushing a short piece of wire through the tip repeatedly. Use the wire as a reamer to remove dirt that may be adhering to the wall of the hole through the tip.

2. Replace worn contact tips as required. A variable or "hunting" arc is a typical symptom of a worn contact tip. To install a new tip, choose the correct size contact tip for the electrode being used (wire size is stenciled on the side of the contact tip) and screw it snugly into the gas diffuser.
3. Remove spatter from inside of gas nozzle and from tip after each 10 minutes of arc time or as required.
4. Be sure the gas nozzle is fully screwed onto the diffuser for gas shielded processes. For the Innershield® process, the gasless nozzle should be screwed onto the diffuser.
5. To remove gun tube from gun, remove gas nozzle or gasless nozzle and remove diffuser from gun tube. Remove both collars from each end of the gun handle and separate the handle halves. Loosen the locking nut holding the gun tube in place against the gun end cable connector. Unscrew gun tube from cable connector. To install gun tube, screw the locking nut on the gun tube as far as possible. Then screw the gun tube into the cable connector until it bottoms. Then unscrew (no more than one turn) the gun tube until its axis is perpendicular to the flat sides of the cable connector and pointed in the direction of the trigger. Tighten the locking nut so as to maintain the proper relationship between the gun tube and the cable connector. Replace the gun handle, trigger and diffuser. Replace the gas nozzle or gasless nozzle.

CONFIGURATION OF COMPONENTS IN WIRE FEEDING SYSTEM

	Contact Tip	Cable Liner	Drive Roll
Components shipped with WELDMARK 135 PLUS	KP2039-1B1(In Gun) .025" (0.6mm) KP2039-2B1(Loose) .030" (0.8mm)	KP1937-3 .025"-.035" (0.8mm-0.9mm)	M15448 Stenciled (.030 / .035) 2 Smooth grooves Small .030 (0.8mm) Large .035" (0.9mm)
K549-1 .035" (0.9mm) Innershield Welding Kit	KP2039-3B1 .035" (0.9mm)	KP1937-3 .035 (0.9mm)	KP666-035 Use Large groove
K663-2 .035 (0.9mm) Aluminum*•	KP2078-1B1 .035A (0.9mm)	M18971-1 .045" (1.2mm)	S24220 .035-3/64 (Drive roll) S24219 (Idle roll)
KP666-035C			M15448-1 Stenciled 2 Knurled grooves for .035" (0.9mm)

• If .030 Solid wire feeding is desired obtain an KP2039-2B1 Contact Tip, an KP1937-2 Cable Liner and an M15448 Drive Roll (Smaller Groove).

* It is important when changing between welding with steel wire and aluminum to exchange feeding components due to the lubricant applied to steel wire. Failure to do so may result in contaminated welds when welding aluminum.

△ Recommended for best feeding performance.

COMPONENT REPLACEMENT PROCEDURES

CAUTION

CHANGING THE CONTACT TIP

1. Unplug or turn power switch to Off "O" position.
2. Refer to Figure D.2. Remove the gas nozzle from the gun by unscrewing counter-clockwise.
3. Remove the existing contact tip from the gun by unscrewing counter-clockwise.
4. Insert and hand tighten desired contact tip.
5. Replace gas nozzle.

CHANGING THE WELDMARK 135 PLUS FOR USE WITH INNERSHIELD FLUX CORED WIRE

- Change The Contact Tip

1. Refer to Figure D.2. Remove the gas nozzle from the gun by unscrewing counter-clockwise.
2. Remove the existing contact tip from the gun by unscrewing counter-clockwise.
3. Insert and hand tighten the contact tip for use with 0.035" Innershield Flux Cored Wire.
4. Replace gas nozzle – The gasless nozzle may be used instead of the gas nozzle to give improved visibility of the arc.

CHANGING DRIVE ROLL

The drive roll, Figure D.1 Item 1, has two grooves; one for .023" – .025" (0.6 mm) solid steel electrode and a larger groove for .030" (0.8 mm) solid and .035" (0.9 mm) flux-cored steel electrode. As shipped, the drive roll is installed in the .023"-0.025" (0.6 mm) position.

If .030"/.035" (0.8/0.9 mm) wire is to be used, the drive roll must be reversed as follows:

1. Turn the power switch to OFF (marked "O").
2. Release the spring-loaded idle arm tensioner, Figure D.1 Item 2, and lift the idle roll arm, Figure D.1 Item 3, away from the drive roll.
3. Loosen the Phillips Head screw holding the drive roll onto the drive shaft.

When inching the welding wire, the drive rolls, gun connector block, and gun contact tip are energized relative to work and ground and remain energized for several seconds after the gun trigger is released.

4. Remove the drive roll, flip over and reinstall with the opposite groove closest to the gearbox.

NOTE: The stencil of the groove that you want to use is marked on the outside of the drive unit (when installed)

5. Push a length of straightened welding wire through the wire feeder guide tubes and reset the Phillips Head screw to secure the drive roll onto the shaft.
6. Reapply the spring loaded idle arm tensioner.
7. Turn the power "ON" (I) and check the drive roll for slipping when feeding wire. DO NOT OVERTIGHTEN - If necessary, tighten or loosen the spring loaded idle arm tensioner (2).

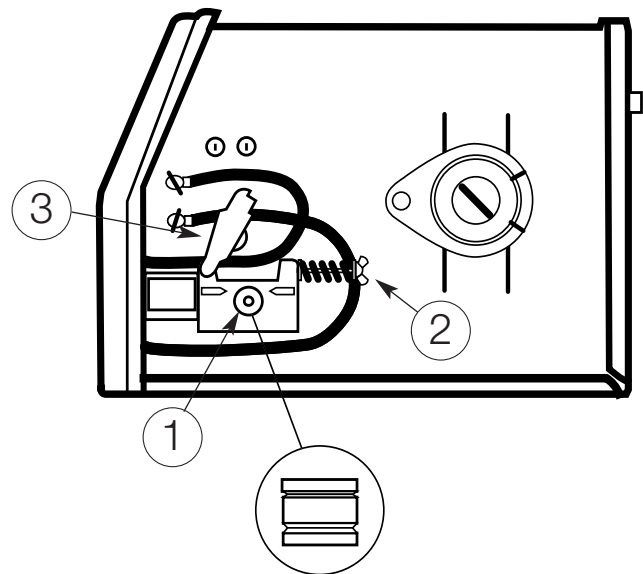


FIGURE D.1

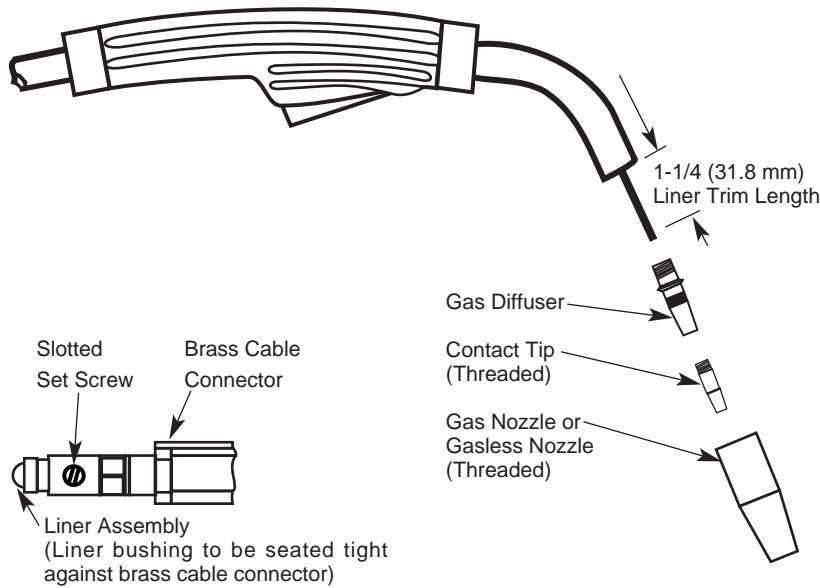


FIGURE D.2

Liner trim length for gun with **red trigger** (Magnum™ 100L)

CHANGING LINER

NOTICE: The variation in cable lengths prevents the interchangeability of liners. Once a liner has been cut for a particular gun, it should not be installed in another gun unless it can meet the liner cutoff length requirement. Refer to Figure D.2.

1. Remove gun and cable assembly from machine.
2. Remove the gas nozzle from the gun by unscrewing counter-clockwise.
3. Remove the existing contact tip from the gun by unscrewing counter-clockwise.
4. Remove the gas diffuser from the gun tube by unscrewing counter-clockwise.
5. Lay the gun and cable out straight on a flat surface. Loosen the set screw located in the brass connector at the wire feeder end of the cable. Pull the liner out of the cable.
6. Insert a new untrimmed liner into the connector end of the cable. Be sure the liner bushing is stenciled appropriately for the wire size being used.
7. Fully seat the liner bushing into the connector. Tighten the set screw on the brass cable connector. At this time, the gas diffuser should not be installed onto the end of the gun tube.
8. With the gas nozzle and diffuser removed from the gun tube, be sure the cable is straight, and then trim the liner to the length shown in the Figure D.2. Remove any burrs from the end of the liner.

9. Screw the gas diffuser onto the end of the gun tube and securely tighten.

10. Replace the contact tip and nozzle.

GUN HANDLE PARTS

The gun handle consists of two halves that are held together with a collar on each end. To open up the handle, turn the collars approximately 60 degrees counter-clockwise until the collar reaches a stop. Then pull the collar off the gun handle. If the collars are difficult to turn, position the gun handle against a corner, place a screwdriver against the tab on the collar and give the screwdriver a sharp blow to turn the collar past an internal locking rib. See Figure D-3.

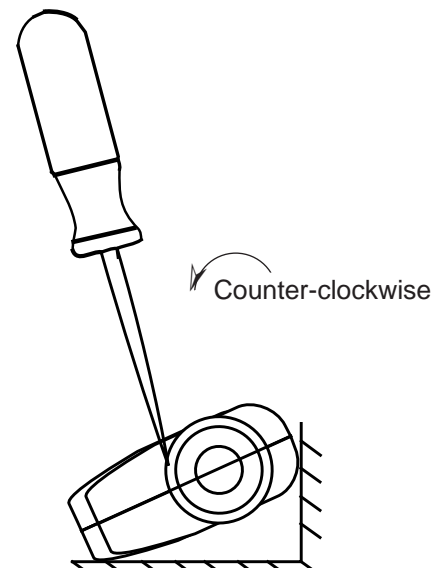


FIGURE D.3

HOW TO USE TROUBLESHOOTING GUIDE

WARNING

Service and Repair should only be performed by Factory Trained Personnel. Unauthorized repairs performed on this equipment may result in danger to the technician and machine operator and will invalidate your factory warranty. For your safety and to avoid Electrical Shock, please observe all safety notes and precautions detailed throughout this manual.

This Troubleshooting Guide is provided to help you locate and repair possible machine malfunctions. Simply follow the three-step procedure listed below.

Step 1. LOCATE PROBLEM (SYMPTOM).

Look under the column labeled “PROBLEM (SYMPTOMS)”. This column describes possible symptoms that the machine may exhibit. Find the listing that best describes the symptom that the machine is exhibiting.

Step 2. POSSIBLE CAUSE.

The second column labeled “POSSIBLE CAUSE” lists the obvious external possibilities that may contribute to the machine symptom.

Step 3. RECOMMENDED COURSE OF ACTION

This column provides a course of action for the Possible Cause, generally it states to contact your local Authorized Field Service Facility.

If you do not understand or are unable to perform the Recommended Course of Action safely, contact your local Authorized Field Service Facility.

CAUTION

If machine case sides and top are removed, the case front must be supported. Failure to do this could result in mechanical or electrical damage to the welder.

CAUTION

If for any reason you do not understand the test procedures or are unable to perform the tests/repairs safely, contact your **Local Authorized Field Service Facility** for technical troubleshooting assistance before you proceed.

TROUBLESHOOTING GUIDE

Observe Safety Guidelines detailed in the beginning of this manual.

PROBLEMS (SYMPTOMS)	POSSIBLE AREAS OF MISADJUSTMENT(S)	RECOMMENDED COURSE OF ACTION
OUTPUT PROBLEMS		
Major physical or electrical damage is evident.	Contact your LOCAL AUTHORIZED FIELD SERVICE FACILITY.	
No wire feed, weld output or gas flow when gun trigger is pulled. Fan does NOT operate.	<ol style="list-style-type: none"> 1. Make sure correct voltage is applied to the machine (115 vac). 2. Make certain that power switch is in the ON position. 3. Make sure circuit breaker is reset. 	
No weld output or wire feed when gun trigger is pulled. Fan runs and gas flows normally.	Contact your LOCAL AUTHORIZED FIELD SERVICE FACILITY.	
No weld output when gun trigger is pulled. Fan runs, gas flows and wire feeds normally.	<ol style="list-style-type: none"> 1. Arc voltage may be set too low. 2. Gun tip may be worn – Replace. 3. Check for correct input voltage to machine. 4. Gun or work cable may be faulty. 	Contact your local Authorized Field Service Facility.
No Wire feed, weld output or gas flow when the gun trigger is pulled - Fan operates normally.	<ol style="list-style-type: none"> 1. Check the circuit breaker located in the machine's wire drive compartment. Reset if tripped. 2. The thermostat may be tripped due to overheating. Let machine cool. Weld within the duty cycle or remove any air obstruction to machine. 3. Wire feed motor may be overloaded. Correct feeding problem. 4. Gun trigger may be faulty. 	

⚠ CAUTION

If for any reason you do not understand the test procedures or are unable to Perform the tests/repairs safely, contact your **LOCAL AUTHORIZED FIELD SERVICE FACILITY** for assistance before you proceed.

Observe Safety Guidelines detailed in the beginning of this manual.

TROUBLESHOOTING GUIDE

PROBLEMS (SYMPTOMS)	POSSIBLE AREAS OF MISADJUSTMENT(S)	RECOMMENDED COURSE OF ACTION
FEEDING PROBLEMS		
<p>No wire feed when gun trigger is pulled. Fan runs, gas flows and machine has correct open circuit voltage (28 vdc maximum) – weld output.</p>	<ol style="list-style-type: none"> 1. If the wire drive motor is running check to see if the correct wire is in the machine. 2. If the wire drive motor is running make sure that the correct drive rolls are installed in the machine. 3. Check for clogged cable liner or feeding problems. 	<p>Contact your local Authorized Field Service Facility.</p>
<p>Wire feed speed motor runs very fast. Weld output, gas flow and fan operate normally.</p>	<ol style="list-style-type: none"> 1. Make sure that the wire speed control is not set at maximum. 	
<p>The wire begins to feed but shuts off after a short time, and will feed again for another short interval only if the trigger is released and pressed again. (See description under wire feed overload protection).</p>	<ol style="list-style-type: none"> 1. Wire spool friction brake adjustment set too tight. Check adjustment of the wire spool friction brake. See "Friction Brake Adjustment" in the "OPERATION" section of this manual. 2. Idle roll pressure adjustment set too high. Check adjustment of the idle roll pressure. See "Wire Threading" in The "OPERATION" section of this manual. 3. Damaged or poorly maintained wire feed system. <ol style="list-style-type: none"> 1. Check for clogged or damaged cable liner, contact tip, and guide tubes. Replace any damaged or excessively worn parts. 2. Perform "ROUTINE AND PERIODIC MAINTENANCE" as described in this manual. 	

CAUTION

If for any reason you do not understand the test procedures or are unable to Perform the tests/repairs safely, contact your **LOCAL AUTHORIZED FIELD SERVICE FACILITY** for assistance before you proceed.

Observe Safety Guidelines detailed in the beginning of this manual.

TROUBLESHOOTING GUIDE

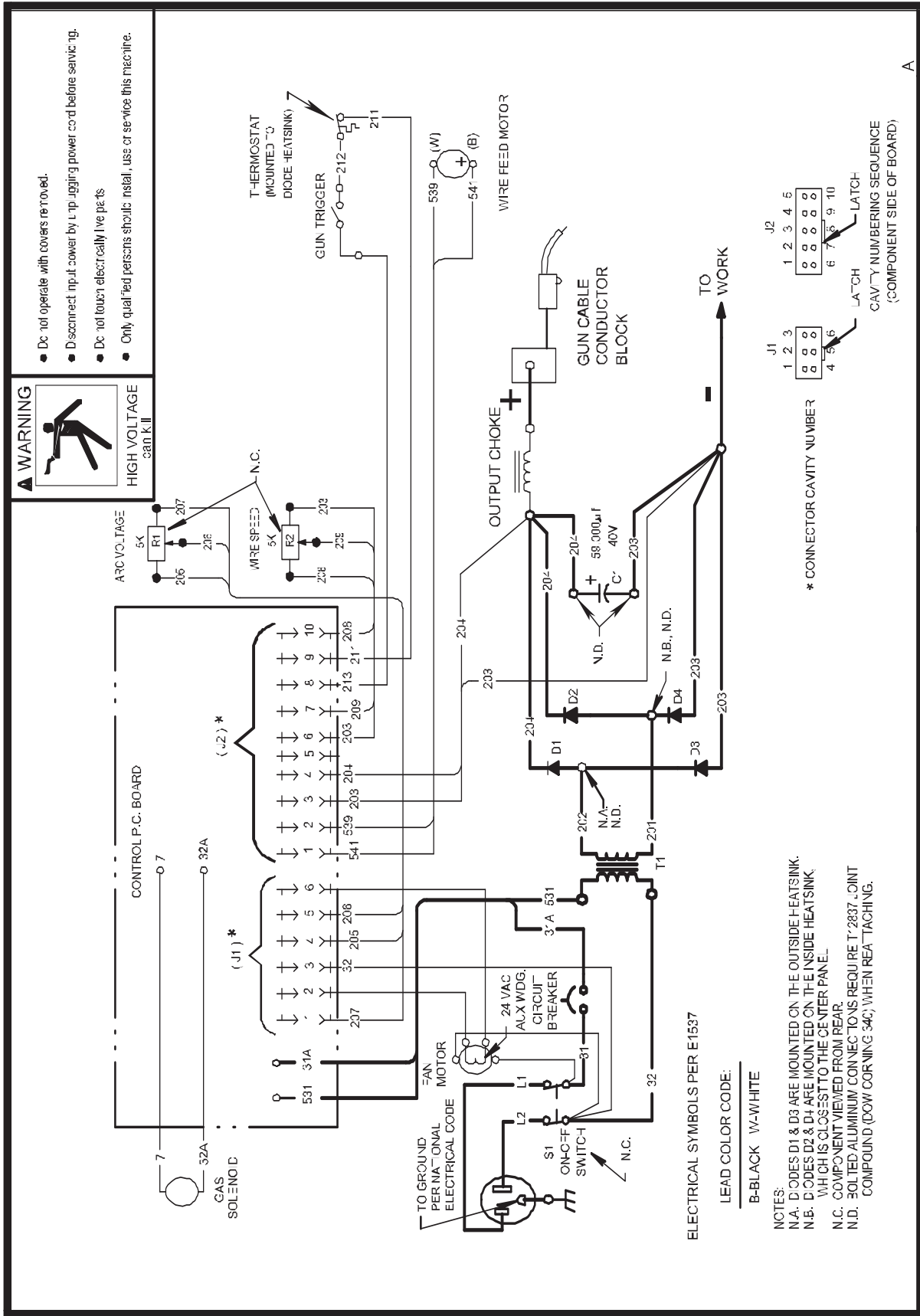
PROBLEMS (SYMPTOMS)	POSSIBLE AREAS OF MISADJUSTMENT(S)	RECOMMENDED COURSE OF ACTION
GAS FLOW PROBLEMS		
Low or no gas flow when gun trigger is pulled. Wire feed, weld output and fan operate normally.	<ol style="list-style-type: none"> 1. Check gas supply, flow regulator and gas hoses. 2. Check gun connection to machine for obstruction or leaky seals. 	Contact your local Authorized Field Service Facility.

PROBLEMS (SYMPTOMS)	POSSIBLE AREAS OF MISADJUSTMENT(S)	RECOMMENDED COURSE OF ACTION
WELDING PROBLEMS		
Arc is unstable – Poor starting	<ol style="list-style-type: none"> 1. Check for correct input voltage to machine – 115 vac. 2. Check for proper electrode polarity for process. 3. Check gun tip for wear or damage – Replace. 4. Check for proper gas and flow rate for process. 5. Check work cable for loose or faulty connections. 6. Check gun for damage or breaks. 	Contact your local Authorized Field Service Facility.

CAUTION

If for any reason you do not understand the test procedures or are unable to Perform the tests/repairs safely, contact your **LOCAL AUTHORIZED FIELD SERVICE FACILITY** for assistance before you proceed.

WELDMARK 135 PLUS WIRING DIAGRAM



M20139

NOTE: This diagram is for reference only. It may not be accurate for all machines covered by this manual. The specific diagram for a particular code is pasted inside the machine on one of the enclosure panels.

NOTES

WARNING	<ul style="list-style-type: none"> ● Do not touch electrically live parts or electrode with skin or wet clothing. ● Insulate yourself from work and ground. 	<ul style="list-style-type: none"> ● Keep flammable materials away. 	<ul style="list-style-type: none"> ● Wear eye, ear and body protection.
Spanish AVISO DE PRECAUCION	<ul style="list-style-type: none"> ● No toque las partes o los electrodos bajo carga con la piel o ropa mojada. ● Aíslese del trabajo y de la tierra. 	<ul style="list-style-type: none"> ● Mantenga el material combustible fuera del área de trabajo. 	<ul style="list-style-type: none"> ● Protéjase los ojos, los oídos y el cuerpo.
French ATTENTION	<ul style="list-style-type: none"> ● Ne laissez ni la peau ni des vêtements mouillés entrer en contact avec des pièces sous tension. ● Isolez-vous du travail et de la terre. 	<ul style="list-style-type: none"> ● Gardez à l'écart de tout matériel inflammable. 	<ul style="list-style-type: none"> ● Protégez vos yeux, vos oreilles et votre corps.
German WARNUNG	<ul style="list-style-type: none"> ● Berühren Sie keine stromführenden Teile oder Elektroden mit Ihrem Körper oder feuchter Kleidung! ● Isolieren Sie sich von den Elektroden und dem Erdboden! 	<ul style="list-style-type: none"> ● Entfernen Sie brennbares Material! 	<ul style="list-style-type: none"> ● Tragen Sie Augen-, Ohren- und Körperschutz!
Portuguese ATENÇÃO	<ul style="list-style-type: none"> ● Não toque partes elétricas e electrodos com a pele ou roupa molhada. ● Isole-se da peça e terra. 	<ul style="list-style-type: none"> ● Mantenha inflamáveis bem guardados. 	<ul style="list-style-type: none"> ● Use proteção para a vista, ouvido e corpo.
Japanese 注意事項	<ul style="list-style-type: none"> ● 通電中の電気部品、又は溶材にヒフやぬれた布で触れないこと。 ● 施工物やアースから身体が絶縁されている様にして下さい。 	<ul style="list-style-type: none"> ● 燃えやすいものの側での溶接作業は絶対にしてはなりません。 	<ul style="list-style-type: none"> ● 目、耳及び身体に保護具をして下さい。
Chinese 警告	<ul style="list-style-type: none"> ● 皮肤或湿衣物切勿接触带电部件及焊条。 ● 使你自已与地面和工件绝缘。 	<ul style="list-style-type: none"> ● 把一切易燃物品移离工作场所。 	<ul style="list-style-type: none"> ● 佩戴眼、耳及身体劳动保护用具。
Korean 위험	<ul style="list-style-type: none"> ● 전도체나 용접봉을 젖은 헝겊 또는 피부로 절대 접촉치 마십시오. ● 모재와 접지를 접촉치 마십시오. 	<ul style="list-style-type: none"> ● 인화성 물질을 접근시키지 마십시오. 	<ul style="list-style-type: none"> ● 눈, 귀와 몸에 보호장구를 착용하십시오.
Arabic تحذير	<ul style="list-style-type: none"> ● لا تلمس الاجزاء التي يسري فيها التيار الكهربائي أو الألكترود بجسد الجسم أو بالملابس المبللة بالماء. ● ضع عازلا على جسمك خلال العمل. 	<ul style="list-style-type: none"> ● ضع المواد القابلة للاشتعال في مكان بعيد. 	<ul style="list-style-type: none"> ● ضع أدوات وملابس واقية على عينيك وأذنيك وجسمك.

READ AND UNDERSTAND THE MANUFACTURER'S INSTRUCTION FOR THIS EQUIPMENT AND THE CONSUMABLES TO BE USED AND FOLLOW YOUR EMPLOYER'S SAFETY PRACTICES.

SE RECOMIENDA LEER Y ENTENDER LAS INSTRUCCIONES DEL FABRICANTE PARA EL USO DE ESTE EQUIPO Y LOS CONSUMIBLES QUE VA A UTILIZAR, SIGA LAS MEDIDAS DE SEGURIDAD DE SU SUPERVISOR.

LISEZ ET COMPRENEZ LES INSTRUCTIONS DU FABRICANT EN CE QUI REGARDE CET EQUIPMENT ET LES PRODUITS A ETRE EMPLOYES ET SUIVEZ LES PROCEDURES DE SECURITE DE VOTRE EMPLOYEUR.

LESEN SIE UND BEFOLGEN SIE DIE BETRIEBSANLEITUNG DER ANLAGE UND DEN ELEKTRODENEINSATZ DES HERSTELLERS. DIE UNFALLVERHÜTUNGSVORSCHRIFTEN DES ARBEITGEBERS SIND EBENFALLS ZU BEACHTEN.

			
<ul style="list-style-type: none"> ● Keep your head out of fumes. ● Use ventilation or exhaust to remove fumes from breathing zone. 	<ul style="list-style-type: none"> ● Turn power off before servicing. 	<ul style="list-style-type: none"> ● Do not operate with panel open or guards off. 	WARNING
<ul style="list-style-type: none"> ● Los humos fuera de la zona de respiración. ● Mantenga la cabeza fuera de los humos. Utilice ventilación o aspiración para gases. 	<ul style="list-style-type: none"> ● Desconectar el cable de alimentación de poder de la máquina antes de iniciar cualquier servicio. 	<ul style="list-style-type: none"> ● No operar con panel abierto o guardas quitadas. 	Spanish AVISO DE PRECAUCION
<ul style="list-style-type: none"> ● Gardez la tête à l'écart des fumées. ● Utilisez un ventilateur ou un aspirateur pour ôter les fumées des zones de travail. 	<ul style="list-style-type: none"> ● Débranchez le courant avant l'entretien. 	<ul style="list-style-type: none"> ● N'opérez pas avec les panneaux ouverts ou avec les dispositifs de protection enlevés. 	French ATTENTION
<ul style="list-style-type: none"> ● Vermeiden Sie das Einatmen von Schweißrauch! ● Sorgen Sie für gute Be- und Entlüftung des Arbeitsplatzes! 	<ul style="list-style-type: none"> ● Strom vor Wartungsarbeiten abschalten! (Netzstrom völlig öffnen; Maschine anhalten!) 	<ul style="list-style-type: none"> ● Anlage nie ohne Schutzgehäuse oder Innenschutzverkleidung in Betrieb setzen! 	German WARNUNG
<ul style="list-style-type: none"> ● Mantenha seu rosto da fumaça. ● Use ventilação e exaustão para remover fumo da zona respiratória. 	<ul style="list-style-type: none"> ● Não opere com as tampas removidas. ● Desligue a corrente antes de fazer serviço. ● Não toque as partes elétricas nuas. 	<ul style="list-style-type: none"> ● Mantenha-se afastado das partes moventes. ● Não opere com os painéis abertos ou guardas removidas. 	Portuguese ATENÇÃO
<ul style="list-style-type: none"> ● ヒュームから頭を離すようにして下さい。 ● 換気や排煙に十分留意して下さい。 	<ul style="list-style-type: none"> ● メンテナンス・サービスに取りかかる際には、まず電源スイッチを必ず切って下さい。 	<ul style="list-style-type: none"> ● パネルやカバーを取り外したままで機械操作をしないで下さい。 	Japanese 注意事項
<ul style="list-style-type: none"> ● 頭部遠離煙霧。 ● 在呼吸區使用通風或排風器除煙。 	<ul style="list-style-type: none"> ● 維修前切斷電源。 	<ul style="list-style-type: none"> ● 儀表板打開或沒有安全罩時不準作業。 	Chinese 警告
<ul style="list-style-type: none"> ● 얼굴로부터 용접가스를 멀리하십시오. ● 호흡지역으로부터 용접가스를 제거하기 위해 가스제거기나 통풍기를 사용하십시오. 	<ul style="list-style-type: none"> ● 보수전에 전원을 차단하십시오. 	<ul style="list-style-type: none"> ● 관널이 열린 상태로 작동치 마십시오. 	Korean 위험
<ul style="list-style-type: none"> ● ابعء رأسك بعيداً عن الدخان. ● استعمل التهوية أو جهاز ضغط الدخان للخارج لكي تبعد الدخان عن المنطقة التي تتنفس فيها. 	<ul style="list-style-type: none"> ● أقطع التيار الكهربائي قبل القيام بأية صيانة. 	<ul style="list-style-type: none"> ● لا تشغيل هذا الجهاز إذا كانت الاغطية الحديدية الواقية ليست عليه. 	Arabic تحذير

LEIA E COMPREENDA AS INSTRUÇÕES DO FABRICANTE PARA ESTE EQUIPAMENTO E AS PARTES DE USO, E SIGA AS PRÁTICAS DE SEGURANÇA DO EMPREGADOR.

使う機械や溶材のメーカーの指示書をよく読み、まず理解して下さい。そして貴社の安全規定に従って下さい。

請詳細閱讀並理解製造廠提供的說明以及應該使用的銀焊材料，並請遵守貴方的有關勞動保護規定。

이 제품에 동봉된 작업지침서를 숙지하시고 귀사의 작업자 안전수칙을 준수하시기 바랍니다.

اقرأ بتمعن وافهم تعليمات المصنع المنتج لهذه المعدات والمواد قبل استعمالها واتبع تعليمات الوقاية لصاحب العمل.

