

Congratulations on your purchase of a high-quality Insignia product. Your NS-CLVR01 represents the state of the art in clock radio design and is designed for reliable and trouble-free performance.

NOTE: Voice commands are recognized in English only

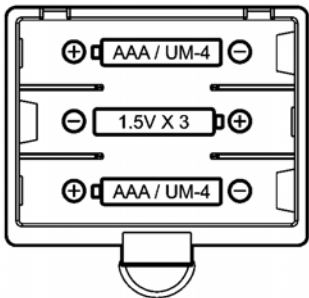
Package contents

- Clock radio
- AC power adapter
- AAA alkaline batteries (3)
- User Guide
- Quick Setup Guide

Setting up your clock radio

Installing the backup batteries

- 1 Open the battery compartment cover located on the bottom of your clock radio.



- 2 Insert three "AAA" batteries, checking that the polarity (+ and - ends of the batteries) matches the drawing inside the battery compartment. We recommend the use of alkaline batteries for longer life.
- 3 Close the battery compartment cover.

Connecting the AC power adapter

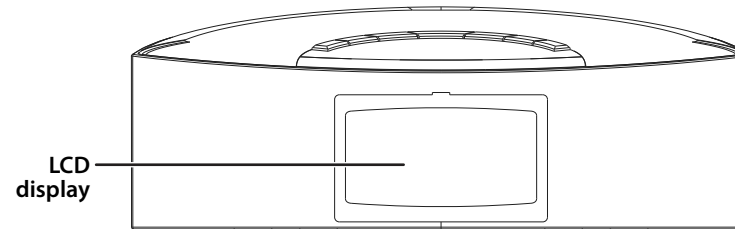
- 1 Plug the small DC power connector into the DC IN 9V jack on the back of your clock radio.
- 2 Plug the AC adapter into an AC power outlet.

NOTE: Remove both the DC plug and the AC-IN plug to disconnect the AC power adapter when not in use.

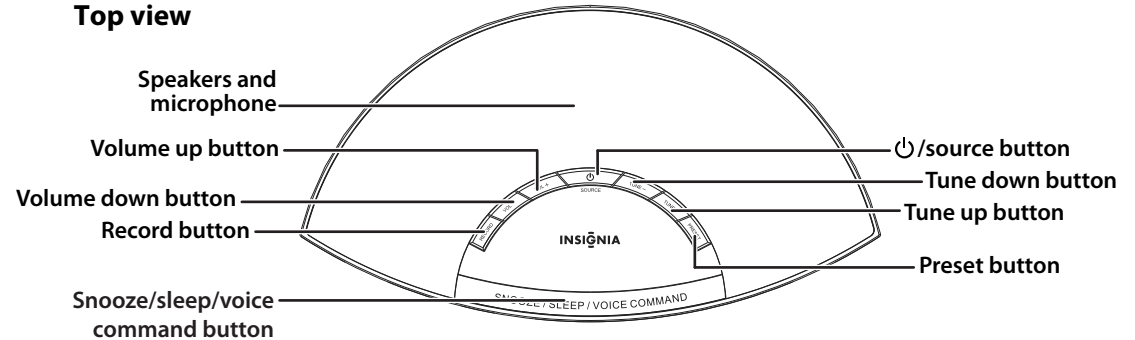
Use only the supplied AC power adapter to power your clock radio.

Features

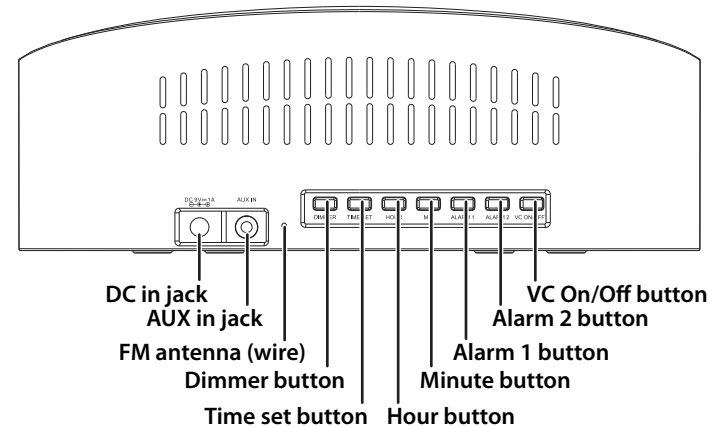
Front view



Top view



Back view



Getting started

Setting the clock

- 1 Press and hold the **TIME SET** button on the back of your clock radio. The time blinks on the LCD.
- 2 Press **MIN** (minute) to set the minutes and **HOUR** to set the hours. Make sure that you set AM/PM correctly.
- 3 Press **TIME SET** again. The clock is set.

Turning your clock radio on and off

- 1 Press and hold **⏻/SOURCE** for two seconds. Your clock radio turns on.
- 2 Press **DIMMER** on the back of your clock radio to set the display backlight of the LCD to a comfortable level.
- 3 Press and hold **⏻/SOURCE** again to switch your clock radio to standby mode.

Using Voice Command

- 1 Turn the **VC** button to *ON* on the back of the radio. To activate the voice controls, say "Voice Command" to the clock radio or press the **SNOOZE/ SLEEP/ VOICE COMMAND** button. The clock will respond "What can I do for you?"

TIPS:

- Speak clearly and in a normal tone.
 - Give correct commands (refer to command list below).
 - Do not give commands when the clock radio is speaking.
 - Speak near the microphone located on the top of the clock radio.
 - Commands must be spoken in non-accented English.
- 2 Say any of the following commands for the function you want, then follow the voice prompts carefully:
 - **Time** ("tim")
 - **Set Time** ("set tim")
 - **Alarm** ("ə-'lärm")
 - **Set Alarm** ("set ə-'lärm")
 - **Sleep Time** ("slēp tim")
 - **Radio** ("rā-dē-ō")
 - **Help** ("help")
 - **Cancel** ("kan(t)-səl")

[Pronunciation guide derived from online *Merriam-Webster* dictionary at www.merriam-webster.com.]

For additional information on using voice control, refer to the *User Guide*.

Setting and using the alarm manually

- 1 Press and hold the **ALARM 1** or **ALARM 2** button (depending on which alarm you want to set) until the display blinks.
- 2 Press **HOUR** to set the hour you want to wake up, then press **MIN** (minute) to set the minute. Make sure you set AM/PM correctly.



- 3 Briefly press **ALARM 1** or **ALARM 2** again to save the setting. The display stops blinking.
- 4 To cancel the alarm, press **ALARM 1** or **ALARM 2** again until the alarm indicator disappears from the display.

Playing the radio

- 1 Press and hold the **⏻/SOURCE** button for two seconds to turn on your clock radio.
 - Press the **⏻/SOURCE** button repeatedly to select the **AM** or **FM** band.
 - If you are listening to FM, uncoil and extend the FM antenna on the back of your clock radio and move it around to improve reception.
-OR-
If you are listening to AM, turn the radio slightly to improve reception.
 - Press **TUNE +** or **TUNE -** to tune the radio to a higher or lower frequency.
 - Press and hold **TUNE +** or **TUNE -** for more than one second to scan to a higher or lower frequency. The radio automatically scans to the next station.
 - Press the **VOLUME UP** or **VOLUME DOWN** buttons to increase or decrease the volume. Adjust the volume to a comfortable level.
- 2 Press and hold the **⏻/SOURCE** button to turn off your clock radio.

Listening to an external sound source

- 1 Make sure that your clock radio is turned off.
- 2 Connect the external sound source to the **AUX IN** jack on the back of your clock radio using a stereo 3.5 mm plug cord (not supplied).
- 3 Press and hold the **⏻/SOURCE** button for two seconds to turn on your clock radio.
- 4 Press the **⏻/SOURCE** button repeatedly to select **AUX**. "AUX" appears on the display.
- 5 Start playback on the external sound source, then adjust the volume to a comfortable level. Control playback on the external audio device.

Specifications

Frequency range

Bands: FM and AM
Range: FM - 87.5~107.9 MHz (200 KHz steps)
AM - 530~1710 KHz (10 KHz steps)

Station presets

FM - 5
AM - 5

External connections

3.5 mm stereo

Volume

0-16 levels

Speakers

2 x 2" - 4 ohm full range
2W x 2 RMS

Power

AC power adapter - 110V 60Hz to 9V,1A
DC - 3 x AAA batteries for memory backup

Troubleshooting

For information on troubleshooting, refer to the *User Guide*.

FCC Part 15

This device complies with Part 15 of the FCC Rules.

FCC warning

Changes or modifications not expressly approved by the party responsible for compliance with the FCC Rules could void the user's authority to operate this equipment.

ICES-003 Class B Notice

This Class B digital apparatus complies with Canadian ICES-003.