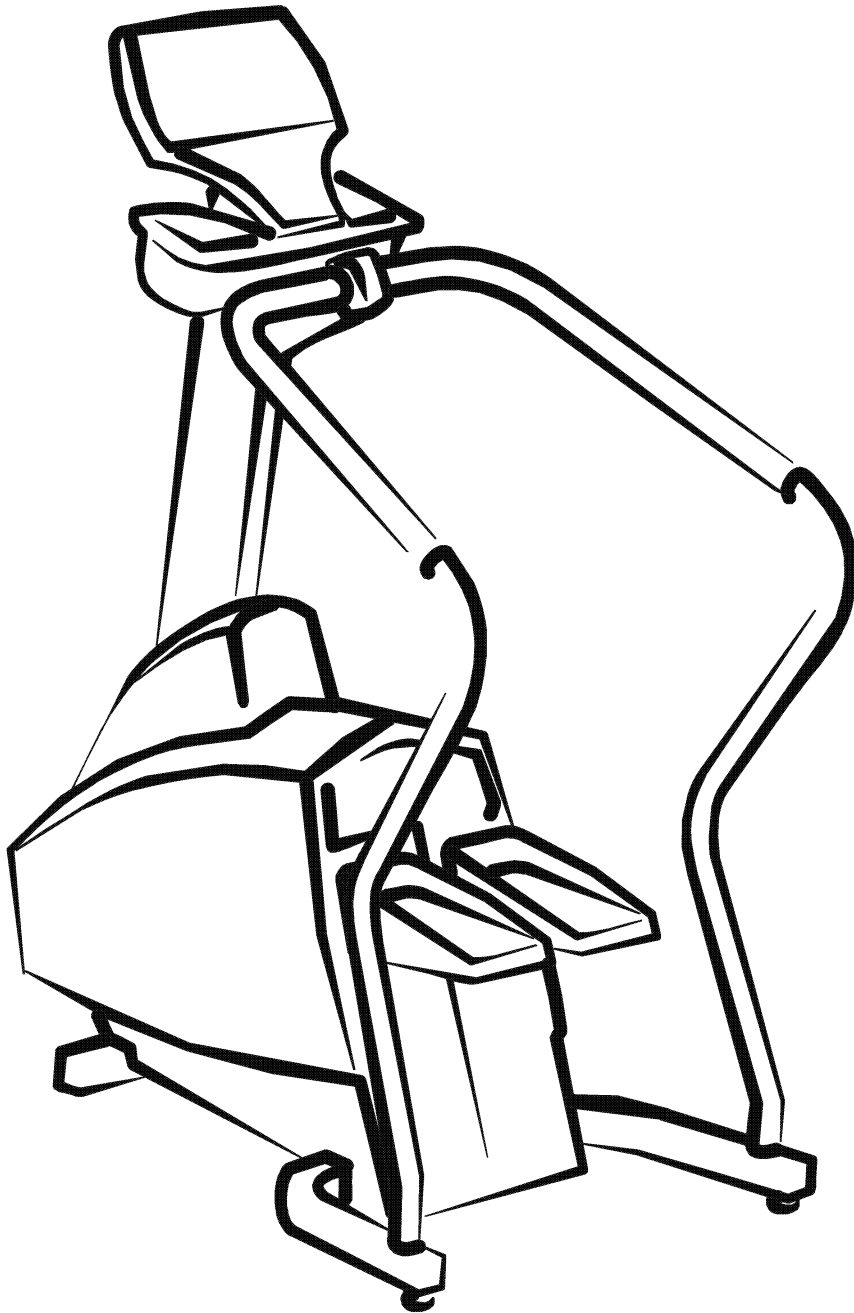


S SERIES

S9i Stairclimber

ASSEMBLY INSTRUCTIONS



Life Fitness

Congratulations...

*and welcome to the world of **Life Fitness**
and the **Life Fitness S9i** Stairclimber.*

The following Parts Identification Listing and the step by step assembly procedures have been assembled to make the set-up of the Stairclimber as quick and easy as possible.

Please take special note of the following important points prior to choosing a location and beginning assembly of the Stairclimber.

IMPORTANT SAFETY INSTRUCTIONS!

- ⇒ **DO NOT** locate the Stairclimber outdoors, near swimming pools, or in areas of high humidity.
 - ⇒ **DO NOT** operate your Stairclimber if it has been dropped, damaged, or even partially immersed in water. If this occurs, contact Life Fitness Customer Support Services at the number in the Operation Manual.
 - ⇒ **DO NOT** locate the Stairclimber any closer than 30 inches (76 cm) to a television set.
 - ⇒ **DO NOT** locate additional exercise equipment any closer than a minimum of 42 inches (107 cm) from center to center to avoid interference (cross talk) between Heart Rate monitors.
 - ⇒ **DO** keep the area around your Stairclimber clear of any obstructions, including walls and furniture.
 - ⇒ **DO** verify the contents of the delivery carton against the accompanying Parts Listing prior to setting the cartons and shipping material aside. If any parts are missing, contact Life Fitness Customer Support Services at the number listed in the Operation Manual. Save the shipping cartons in case of return.
 - ⇒ **DO** read the entire Operation Manual prior to attempting to operate this machine as this is essential for proper use.
-

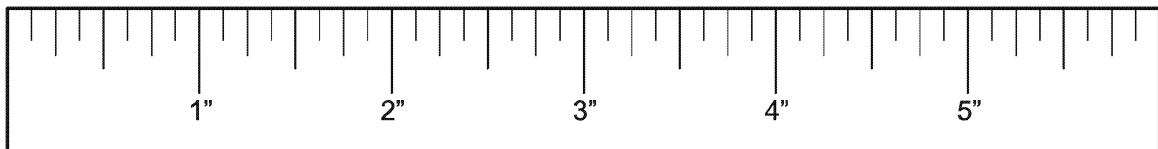
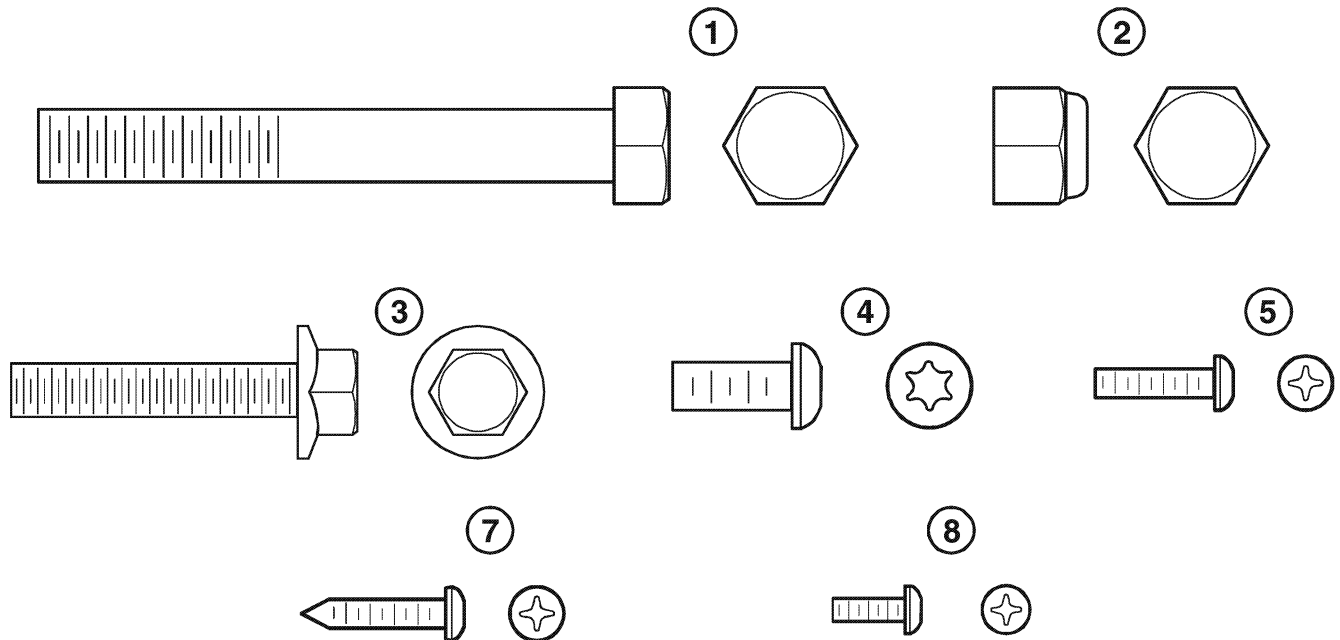
CONSIGNES DE SECURITE IMPORTANTES!

- ⇒ **NE** placez PAS l'appareil à l'extérieur, près d'une piscine ou dans un endroit très humide.
- ⇒ **NE** faites PAS fonctionner l'appareil s'il est tombé, s'il a été endommagé ou s'il a été partiellement plongé dans l'eau. Si cela s'est produit, contactez le service après-vente de Life Fitness au numéro fourni dans le manuel d'utilisation.
- ⇒ **NE** placez PAS l'appareil à moins de 76 cm d'un poste de télévision
- ⇒ **NE** placez PAS d'autres appareils du même type à proximité. Un espace d'au moins 107 cm doit être observé entre les parties centrales de deux appareils afin d'éviter les interférences entre les contrôleurs de rythme cardiaque.
- ⇒ **MAINTENEZ** la zone autour de l'appareil libre de toute obstruction, y compris murs et meubles. Veillez à laisser un dégagement d'au moins 30 cm devant l'appareil.
- ⇒ **VÉRIFIEZ** si l'emballage contient toutes les pièces de la liste jointe avant de le mettre de côté. Si des pièces sont absentes, contactez le service après-vente de Life Fitness au numéro indiqué dans le manuel d'utilisation. Conservez l'emballage au cas où vous devriez renvoyer l'appareil.
- ⇒ **LISEZ** le manuel de l'utilisateur tout entier avant d'essayer de faire fonctionner cet appareil. Ceci est indispensable à son utilisation correcte.

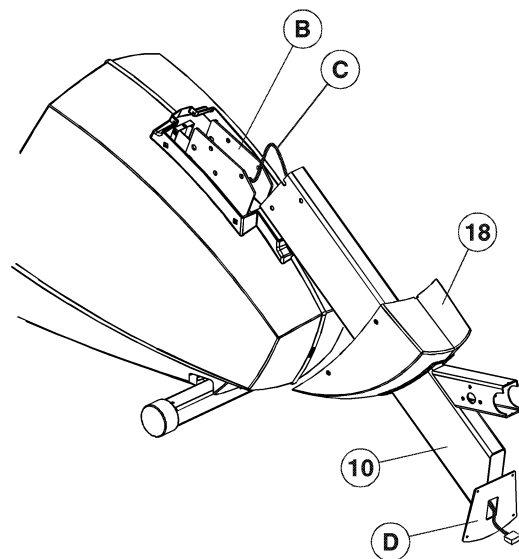
TOOLS REQUIRED FOR ASSEMBLY... Phillips Screwdriver, T27 Torx Wrench, Socket Set

PARTS DESCRIPTION

1	Hex Head Bolt 3/8 – 16 x 3 0017-00101-1048	Qty: 2		2	Lock Nut 3/8 – 16 0017-00103-0025	Qty: 2
3	Hex Head Bolt 5/16 – 18 x 1.500 0017-00101-0933	Qty: 2		4	Torx Cap Screw 1/4 – 20 x .625 0017-00101-1715	Qty: 10
5	Phillips Pan Head Screw #8 – 18 x .625 0017-00101-1253	Qty: 8		6	Polar Cover	Qty: 1
7	Phillips Pan Head Screw #8 – 18 x .75 0017-00101-1242	Qty: 4		8	Phillips Cap Screw #6 – 32 x .375 0017-00101-1723	Qty: 2
9	Display Console Assembly	Qty: 1		10	Monocolumn	Qty: 1
11	Accessory Tray	Qty: 1		12	Vertical Handrail	Qty: 2
13	Handlebar Assembly	Qty: 1		14	Polar® Receiver	Qty: 1
15	Telemetry Cable	Qty: 1		16	Frame Cap	Qty: 2
17	Power Supply	Qty: 1		18	Monocolumn Shroud	Qty: 1



1. Before proceeding, familiarize yourself with the parts of the Stairclimber and make sure that you have received all the items described in the Parts List.

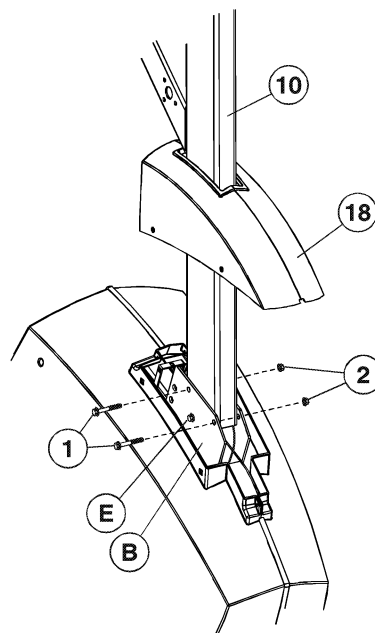


2. Locate the MONOCOLUMN (#10). Position the MONOCOLUMN SHROUD (#18) onto the MONOCOLUMN as shown. Position the MONOCOLUMN near the MONOCOLUMN MOUNTING BRACKET (B) as shown. Detach and feed the CONSOLE WIRE HARNESS (C) through the MONOCOLUMN and out through the DISPLAY CONSOLE MOUNTING BRACKET (D) ACCESS HOLE. Pivot the MONOCOLUMN upright and position the locating slot at the bottom of the MONOCOLUMN onto the pre-installed LOCATING BOLT (E) on the MONOCOLUMN MOUNTING BRACKET. Align the mounting holes of the MONOCOLUMN and MONOCOLUMN MOUNTING BRACKET and secure them together using two MOUNTING BOLTS (#1) and LOCKNUTS (#2). Leave the BOLTS and NUTS loose at this time. Lower the MONOCOLUMN SHROUD until it rests on the MAIN SHROUDS.

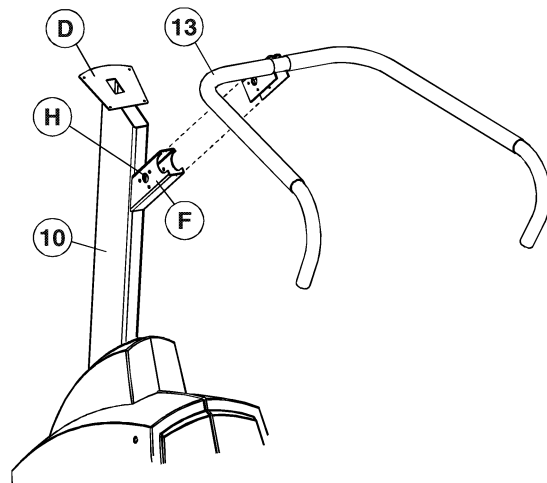
NOTE: The forward most of the two MOUNTING BOLTS (#1) and LOCKNUTS (#2) will pass along the outside of the MONOCOLUMN (#10).

CAUTION: BE CAREFUL NOT TO PINCH THE WIRE HARNESS (C).

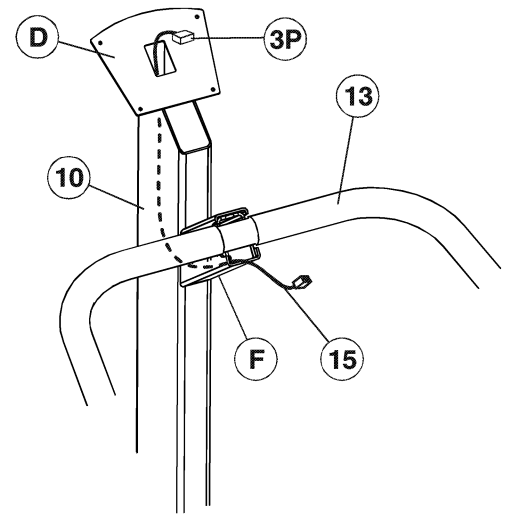
MISE EN GARDE : VEILLES À NE PAS PINCER LE FAISCEAU (C).



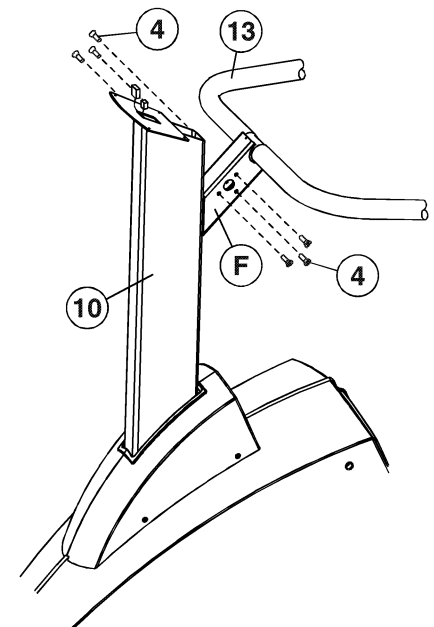
3. Align and insert the HANDLEBAR ASSEMBLY (#13) into THE HANDLEBAR BRACKET TUBE (F) as shown until the mounting holes in the HANDLEBAR ASSEMBLY align with those of the HANDLEBAR BRACKET TUBE.



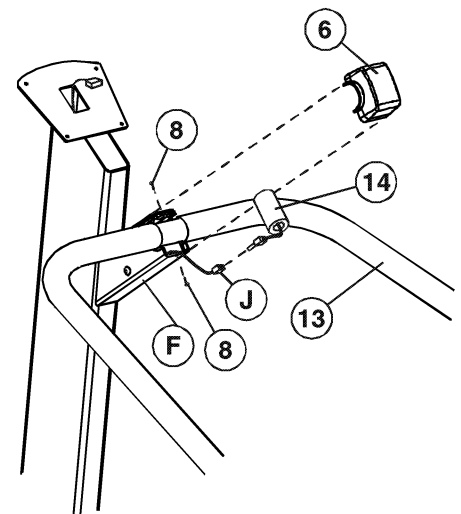
4. Locate the TELEMETRY CABLE (#15). Feed the 3-PIN CONNECTOR (3P) end of the cable through the front of the HANDLEBAR ASSEMBLY (#13). The cable must be routed down the HANDLEBAR BRACKET TUBE (F) and back up the top of the MONOCOLUMN (#10). Feed the 3-PIN CONNECTOR through the DISPLAY CONSOLE MOUNTING BRACKET (D) ACCESS HOLE.



5. Secure the HANDLEBAR ASSEMBLY (#13) to the HANDLEBAR BRACKET TUBE (F) using six MOUNTING SCREWS (#4). Tighten the SCREWS securely.



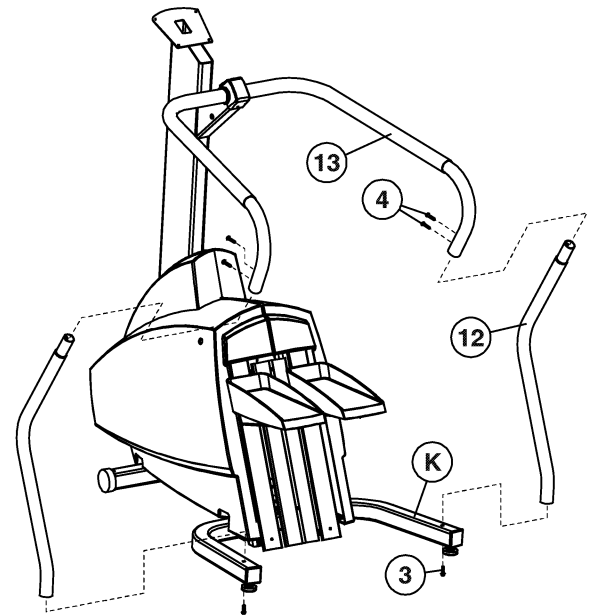
6. Locate the POLAR RECEIVER ASSEMBLY (#14). Plug the POLAR RECEIVER ASSEMBLY into the POLAR RECEIVER JACK (J). Place the POLAR RECEIVER in a vertical position, POLAR RECEIVER JACK facing downward, at the front of the HANDLEBAR BRACKET TUBE (F). Position the POLAR COVER (#6) over the center of the HANDLEBAR ASSEMBLY (#13) at the HANDLEBAR BRACKET TUBE. Making sure the POLAR COVER is oriented properly, slide the POLAR COVER over the HANDLEBAR ASSEMBLY covering the POLAR RECEIVER ASSEMBLY and the end of the HANDLEBAR BRACKET TUBE. The POLAR COVER should fully nest over the HANDLEBAR ASSEMBLY. Secure the POLAR COVER using two MOUNTING SCREWS (#8).



CAUTION: DO NOT OVER-TIGHTEN THE PHILLIPS PAN HEAD SCREWS (#8).

MISE EN GARDE : NE SERREZ PAS EXCESSIVEMENT LES VIS CRUCIFORMES À TÊTE CYLINDRIQUE (N° 8).

- Locate one of the VERTICAL HANDRAILS (#12). Carefully insert the top of the VERTICAL HANDRAIL into the user right end of the HANDLEBAR ASSEMBLY (#13). Align the mounting holes. Secure the VERTICAL HANDRAIL to the HANDLEBAR ASSEMBLY using two MOUNTING SCREWS (#4). Position the bottom of the VERTICAL HANDRAIL over the mounting hole in the top of the right FRAME LEG (K). Using one HEX HEAD BOLT (#3), mount the VERTICAL HANDRAIL to the right FRAME LEG as shown. Tighten the BOLT securely. Repeat the procedure for the remaining VERTICAL HANDRAIL (#12) on the left side of the HANDLEBAR ASSEMBLY and FRAME.



- Lift the MONOCOLUMN SHROUD (#18) and tighten the MONOCOLUMN BOLTS (#1) securely.

CAUTION: DO NOT OVER-TIGHTEN THE BOLTS (#1).

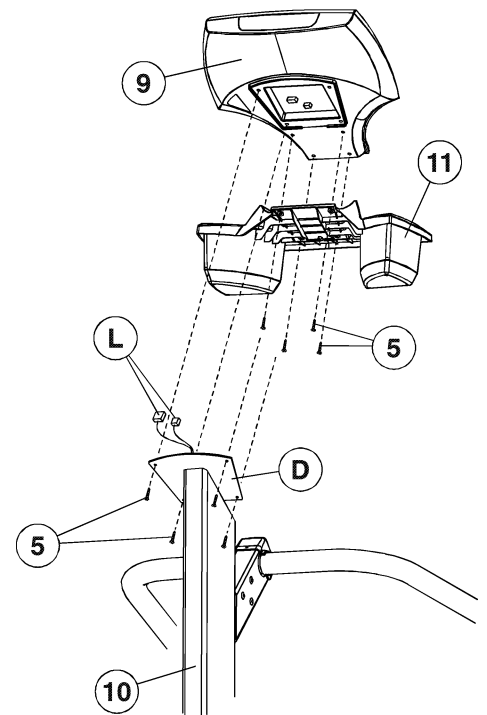
MISE EN GARDE : NE SERREZ PAS TROP LES BOULONS (N° 1)

- Using four MOUNTING SCREWS (#5), attach the ACCESSORY TRAY (#11) to the DISPLAY CONSOLE (#9) as shown.

CAUTION: DO NOT OVER-TIGHTEN THE SCREWS (#5).

MISE EN GARDE : NE SERREZ PAS TROP LES VIS (N° 5)

- Attach all CABLES (L) leading from the DISPLAY CONSOLE MOUNTING BRACKET (D) ACCESS HOLE to the back of the DISPLAY CONSOLE (#9).
- Feed any excess cable into the MONOCOLUMN (#10). Using four MOUNTING SCREWS (#5), secure the DISPLAY CONSOLE (#9) to the DISPLAY CONSOLE MOUNTING BRACKET (D).



CAUTION: DO NOT OVER-TIGHTEN THE PHILLIPS HEAD PAN SCREWS (#5).

CAUTION: BE CAREFUL NOT TO PINCH THE WIRE HARNESS (E) WHEN ASSEMBLING THE CONSOLE ASSEMBLY (#9) TO THE DISPLAY CONSOLE MOUNTING BRACKET (D).

MISE EN GARDE : NE SERREZ PAS TROP LES VIS CRUCIFORMES À TÊTE CYLINDRIQUE (N° 5).

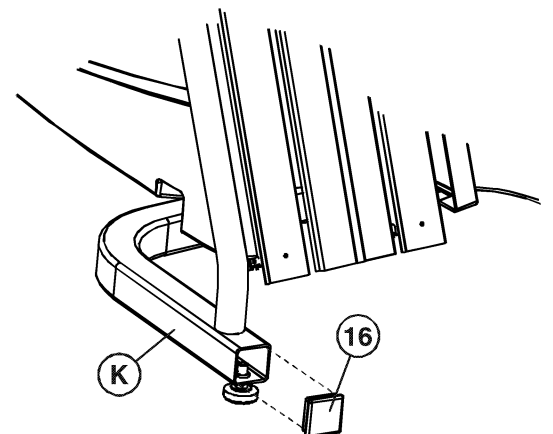
MISE EN GARDE : VEILLENZ À NE PAS PINCER LE FAISCEAU DE CÂBLES (E) LORS DU MONTAGE DE LA CONSOLE (N° 9) SUR SON SUPPORT (D).

- Secure the MONOCOLUMN SHROUD (#18) to the MAIN SHROUD using four MOUNTING SCREWS (#7).

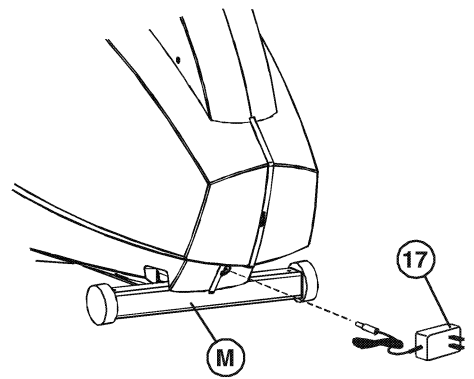
CAUTION: DO NOT OVER-TIGHTEN THE PHILLIPS HEAD PAN SCREWS (#7).

MISE EN GARDE : NE SERREZ PAS TROP LES VIS CRUCIFORMES À TÊTE CYLINDRIQUE (N° 7).

- Insert the FRAME CAPS (#16) into the ends of the FRAME LEGS (K).



14. Position the unit in the desired location for use. Insert the POWER SUPPLY (#17) connector into the POWER JACK located at the base of the shroud, near the FRONT STABILIZER (M). Plug the POWER SUPPLY into a wall outlet.



PRE-OPERATION CHECKLIST

- ✓ **Ensure that all fasteners are tight.**
 - ✓ **Make sure the Stairclimber is properly leveled and stable.**
(Refer to the Operation Manual)
 - ✓ **Ensure that the Leveler Jam Nuts are tight.**
(Refer to the Operation Manual)
 - ✓ **Read the entire Operation manual before using the Stairclimber.**
-

LISTE DES VÉRIFICATIONS À EFFECTUER AVANT LA MISE EN MARCHÉ

- ✓ **Vérifiez si tous les dispositifs de fixation sont serrés**
 - ✓ **Vérifiez si l'APPAREIL D'EXERCICE POLYVALENT est de niveau et stable.**
(Référez-vous au manuel d'utilisation.)
 - ✓ **Vérifiez si les contre-écrous des vérins de mise à niveau sont serrés.**
(Référez-vous au manuel d'utilisation.)
 - ✓ **Lisez le manuel d'utilisation dans son intégralité avant d'utiliser l'appareil d'exercice polyvalent.**
-

Before attempting to operate your Stairclimber, it is imperative that you familiarize yourself with the contents of the Operation Manual. If your Stairclimber does not respond as described in the OPERATION MANUAL, contact the nearest Life Fitness service center as listed in the Operation Manual.

LifeFitness

© 2002 Brunswick Corporation. All rights reserved. Life Fitness is a trademark of Brunswick Corporation.
Polar is a registered trademark of Polar Electro, Inc.

M051-00K20-A315

4/02