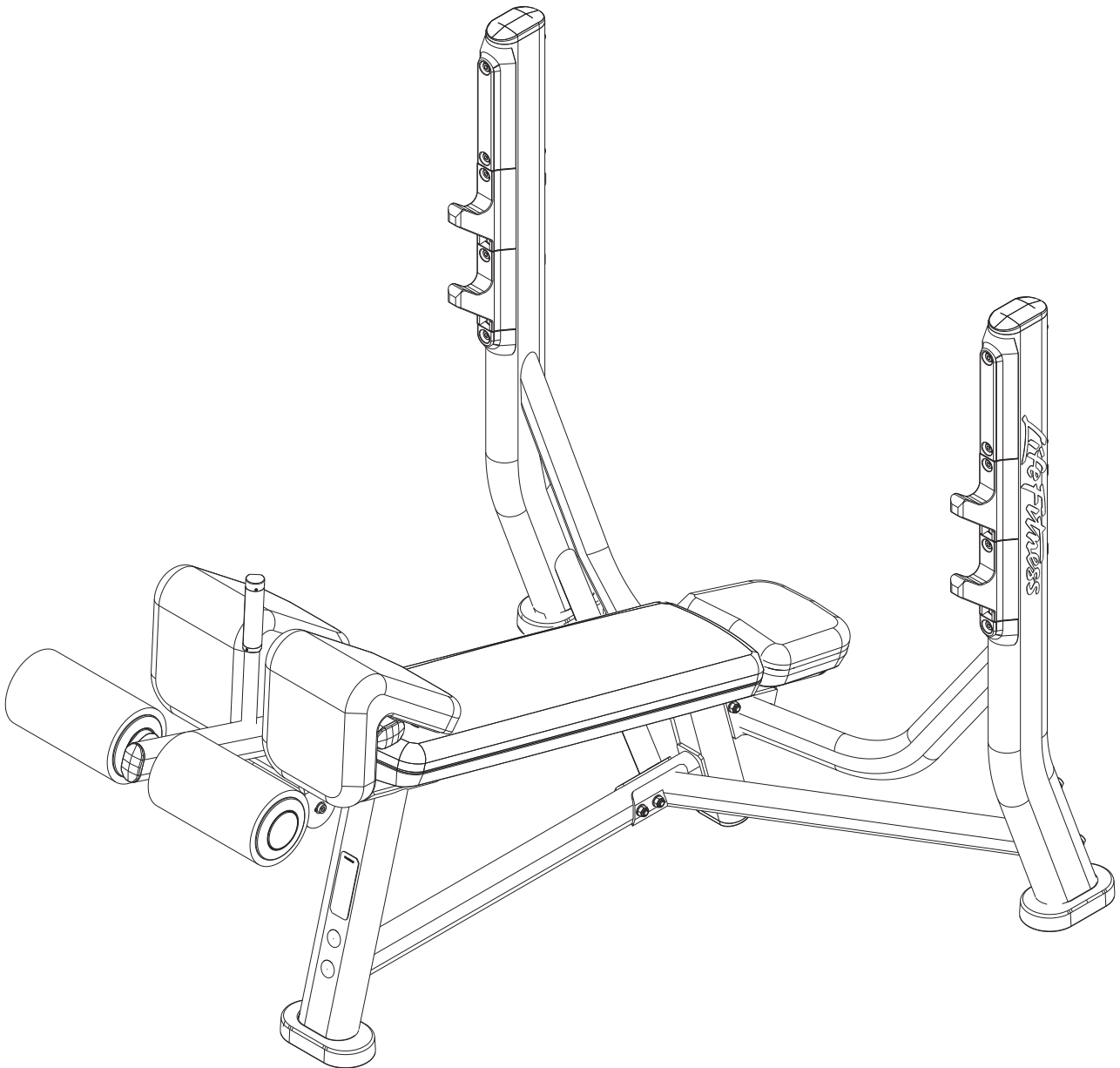




SIGNATURE SERIES
SODB
SIGNATURE OLYMPIC DECLINE BENCH



Customer Support Services
PARTS LIST

SODB SIGNATURE OLYMPIC DECLINE BENCH CONTENTS

	PAGE
COMPONENT ASSEMBLY	3
COMPONENT ASSEMBLY LEGEND	4
SUPPORT LEG ASSEMBLY	5
RIGHT UPRIGHT ASSEMBLY	6
RIGHT UPRIGHT ASSEMBLY LEGEND	7
LEFT UPRIGHT ASSEMBLY	8
LEFT UPRIGHT ASSEMBLY LEGEND	9
LEG SUPPORT ASSEMBLY	10
CENTER FRAME ASSEMBLY	11
IMAGE	12

NOTE: SUBSTITUTE PART NUMBERS ENDING WITH 'XX' WITH THE REQUIRED COLOR CODES.

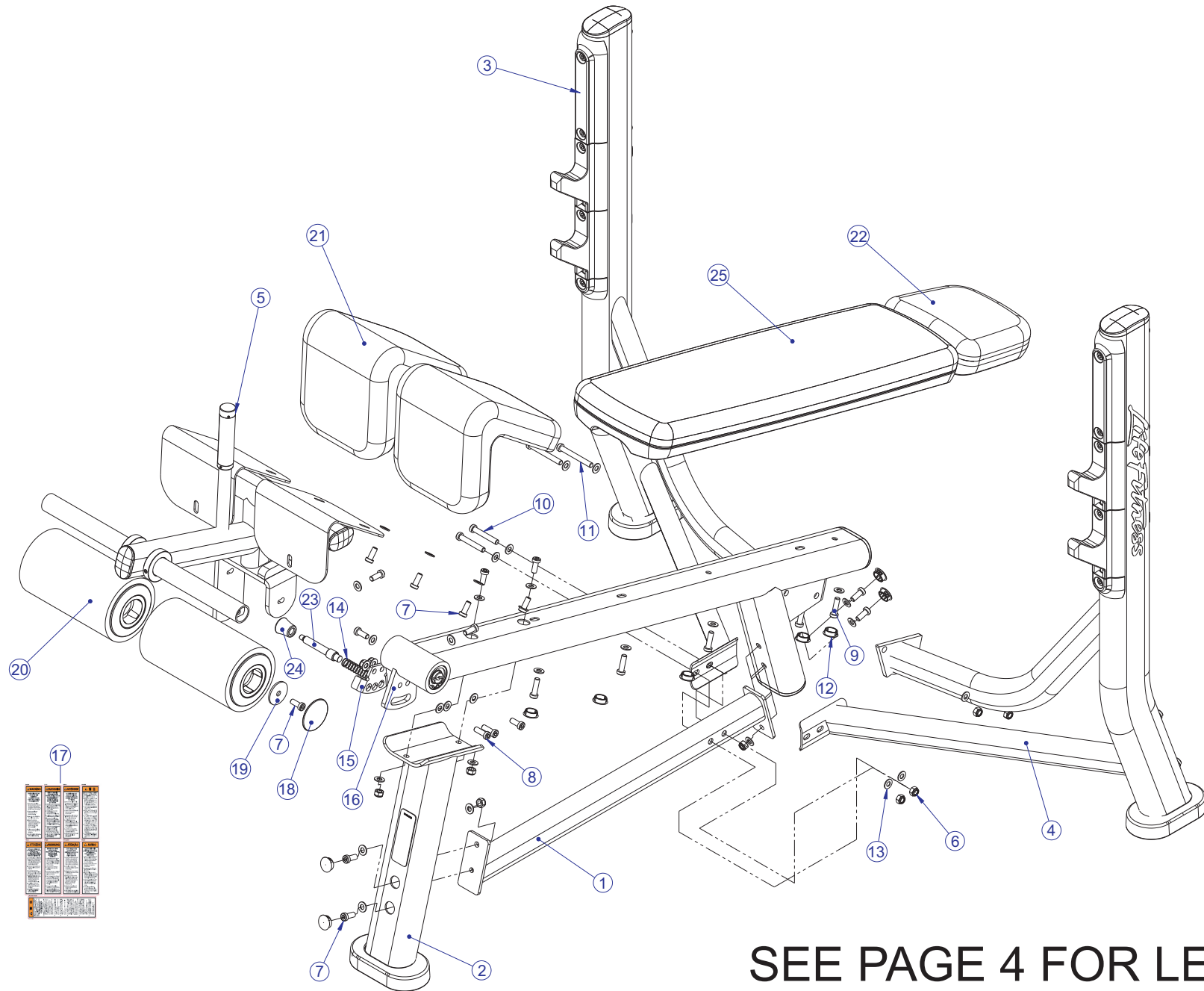
FRAME

01 = WHITE
02 = PLATINUM
03 = BLACK

PADS

01 = BLACK
99 = CUSTOM

SODB SIGNATURE OLYMPIC DECLINE BENCH COMPONENT ASSEMBLY

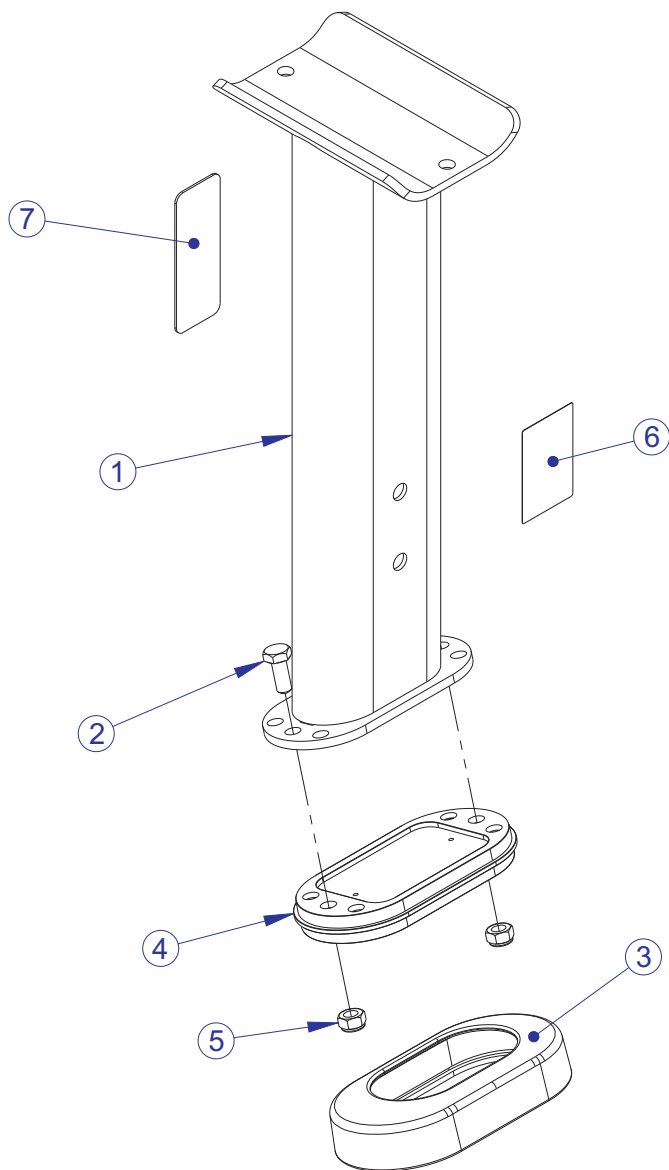


SEE PAGE 4 FOR LEGEND

SODB SIGNATURE OLYMPIC DECLINE BENCH COMPONENT ASSEMBLY LEGEND

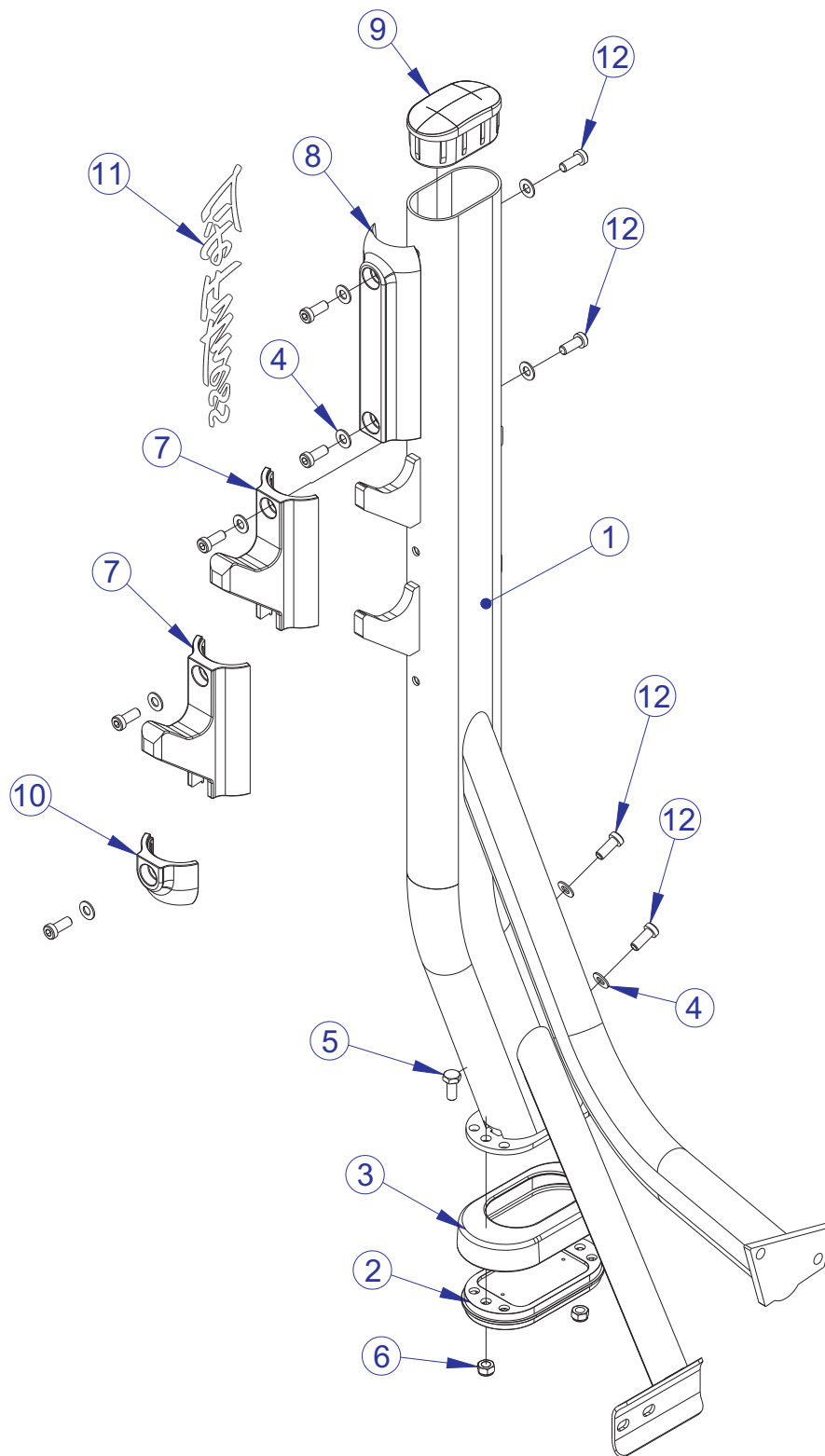
ITEM NO.	QTY.	PART NO.	DESCRIPTION
1	1	79015XX	WLDMT, SODB, CENTER SUPPORT
2	1	79019XX	PTD ASSY, SODB, SUPPORT LEG
3	1	79016XX	PTD ASSY, SODB, UPRIGHT RIGHT
4	1	79018XX	PTD ASSY, SODB, UPRIGHT LEFT
5	1	79021XX	PTD ASSY, SODB, LEG SUPPORT
6	10	3242002	NUT, M10 X 1.5 HEX NYLOCK
7	16	3256202	SCREW, M10 X1.5 25MM
8	2	3256203	SCREW, M10 X1.5 30MM
9	5	3256204	SCREW, M10 X1.5 35MM
10	2	3256210	SCREW, M10 X1.5 65MM
11	2	3256214	SCREW, M10 X1.5 85MM
12	9	3237403	PLUG, 1" HOLE
13	35	3102514	WASHER, FLAT 3/8" SAE ST ZN
14	1	7351501	SPRING; PULL PIN LARGE
15	1	8160901	BRKT, SELECTOR
16	1	79020XX	PTD ASSY, SODB, CENTER FRAME
17	1	8137801	DECAL, WARNING, VERT., MULTI-LANG SHEET
18	2	7308701	CAP, BEARING HOUSING
19	2	7322301	PLATE, 1.97 OD X .44 ID 10GA
20	2	74247XX	ASSY, ROLLER PAD - SHORT
21	2	78771XX	PAD, ANGLE, SHORT
22	1	78219XX	PAD, HEAD REST FLAT
23	1	7351301	PIN, PULL X 4.375
24	1	7351401	KNOB, TULIP STYLE
25	1	78218XX	PAD 36 X 11 FLAT

SODB SIGNATURE OLYMPIC DECLINE BENCH SUPPORT LEG ASSEMBLY - 79019XX



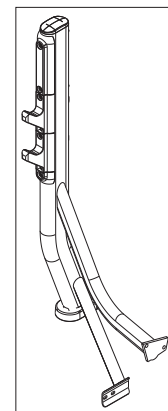
ITEM NO.	QTY.	PART NO.	DESCRIPTION
1	1	79019XX	PTD ASSY, SODB, SUPPORT LEG
2	2	3251202	M10 X 1.5 X 25MM UNS HEX CS ST ZN
3	1	7340201	COVER, FOOT - STRAIGHT
4	1	7763001	FOOT: 2.50 X 4.49
5	2	3242002	NUT, M10 X 1.5 HEX NYLOCK
6	1	8106801	LABEL, SERIAL NUMBER, LARGE, BNR
7	1	7002401	LABEL; V WARNING 4.5 X 1.625

SODB SIGNATURE OLYMPIC DECLINE BENCH RIGHT UPRIGHT ASSEMBLY - 79016XX



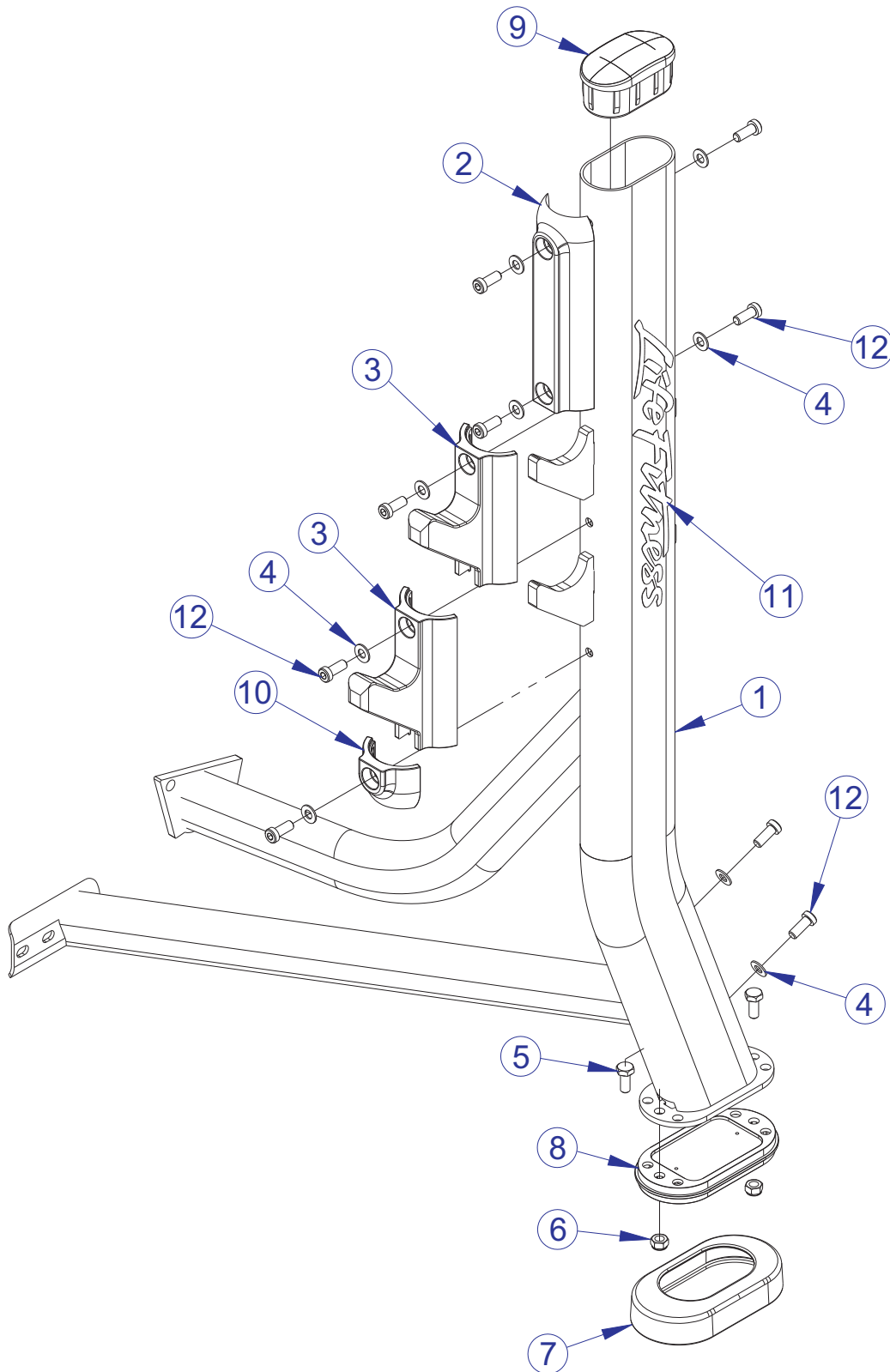
SEE PAGE 7 FOR LEGEND

SODB SIGNATURE OLYMPIC DECLINE BENCH RIGHT UPRIGHT ASSEMBLY LEGEND



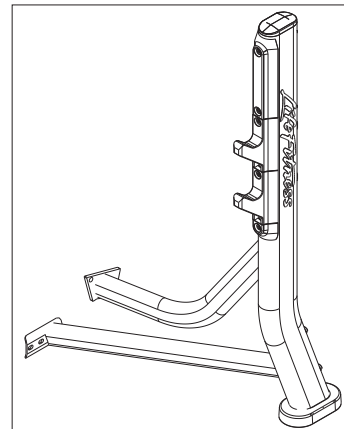
ITEM NO.	QTY.	PART NO.	DESCRIPTION
1	1	79016XX	PTD ASSY, SODB, UPRIGHT RIGHT
2	1	7763001	FOOT: 2.50 X 4.49
3	1	7340201	COVER, FOOT - STRAIGHT
4	9	3102514	WASHER, FLAT 3/8" SAE ST ZN
5	2	3251202	M10 X 1.5 X 25MM UNS HEX CS ST ZN
6	2	3242002	NUT, M10 X 1.5 HEX NYLOCK
7	2	7804501	HOOK, BAR CATCH, 10-0112-012, BNR
8	1	7804601	GUARD, BAR CATCH, 10-0112-013, BNR
9	1	7800401	CAP; LRG FLOV END
10	1	8077501	GUARD, BAR CATCH, LOWER, 10-0112-020, BNR
11	1	8003301	LABEL, LIFE FIT 2-1/2 X 15 SG, 10-0177-025, BNR
12	9	3256202	SCREW, M10 X 1.5 25MM ZN

SODB SIGNATURE OLYMPIC DECLINE BENCH LEFT UPRIGHT ASSEMBLY - 79018XX



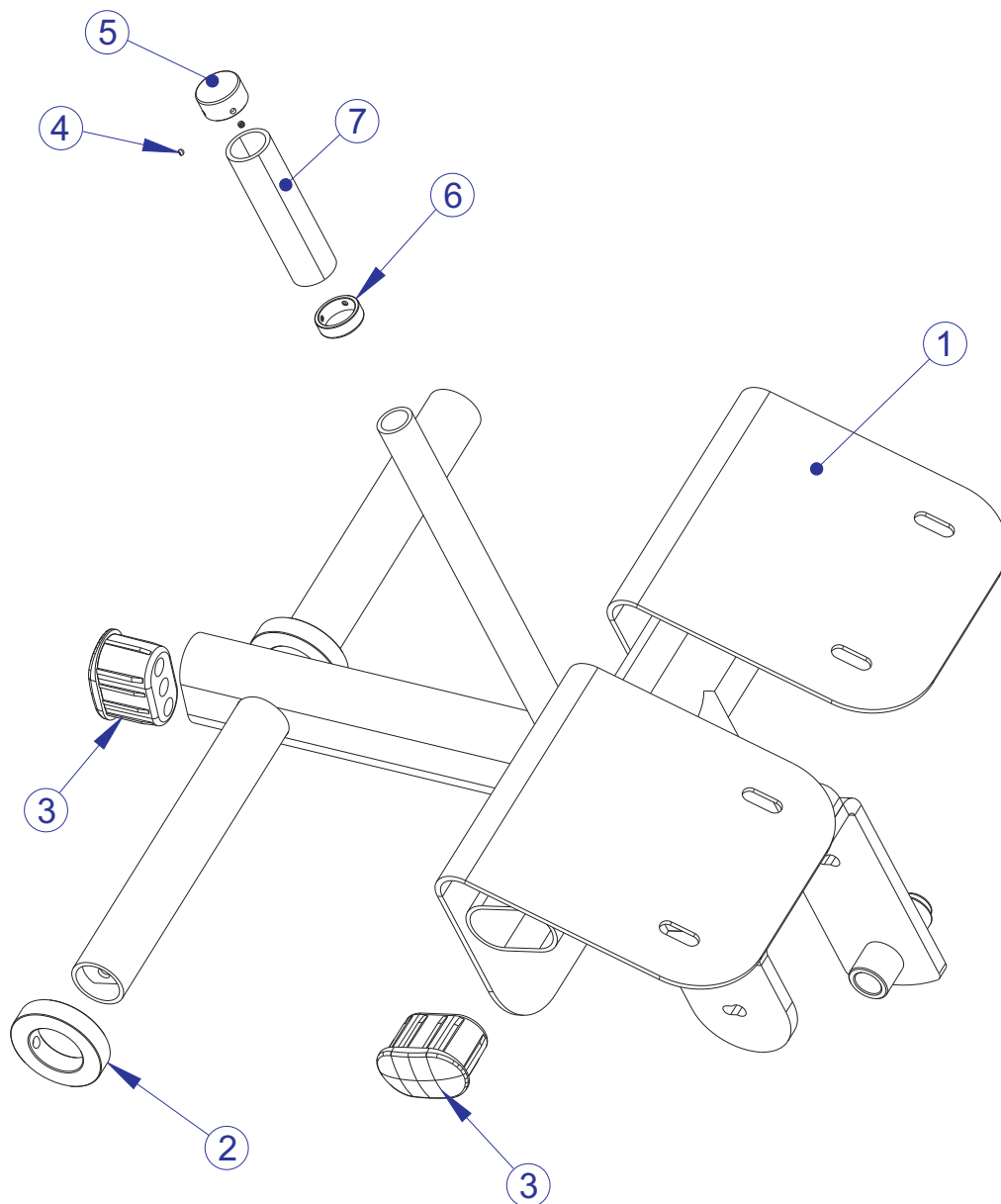
SEE PAGE 9 FOR LEGEND

SODB SIGNATURE OLYMPIC DECLINE BENCH LEFT UPRIGHT ASSEMBLY LEGEND



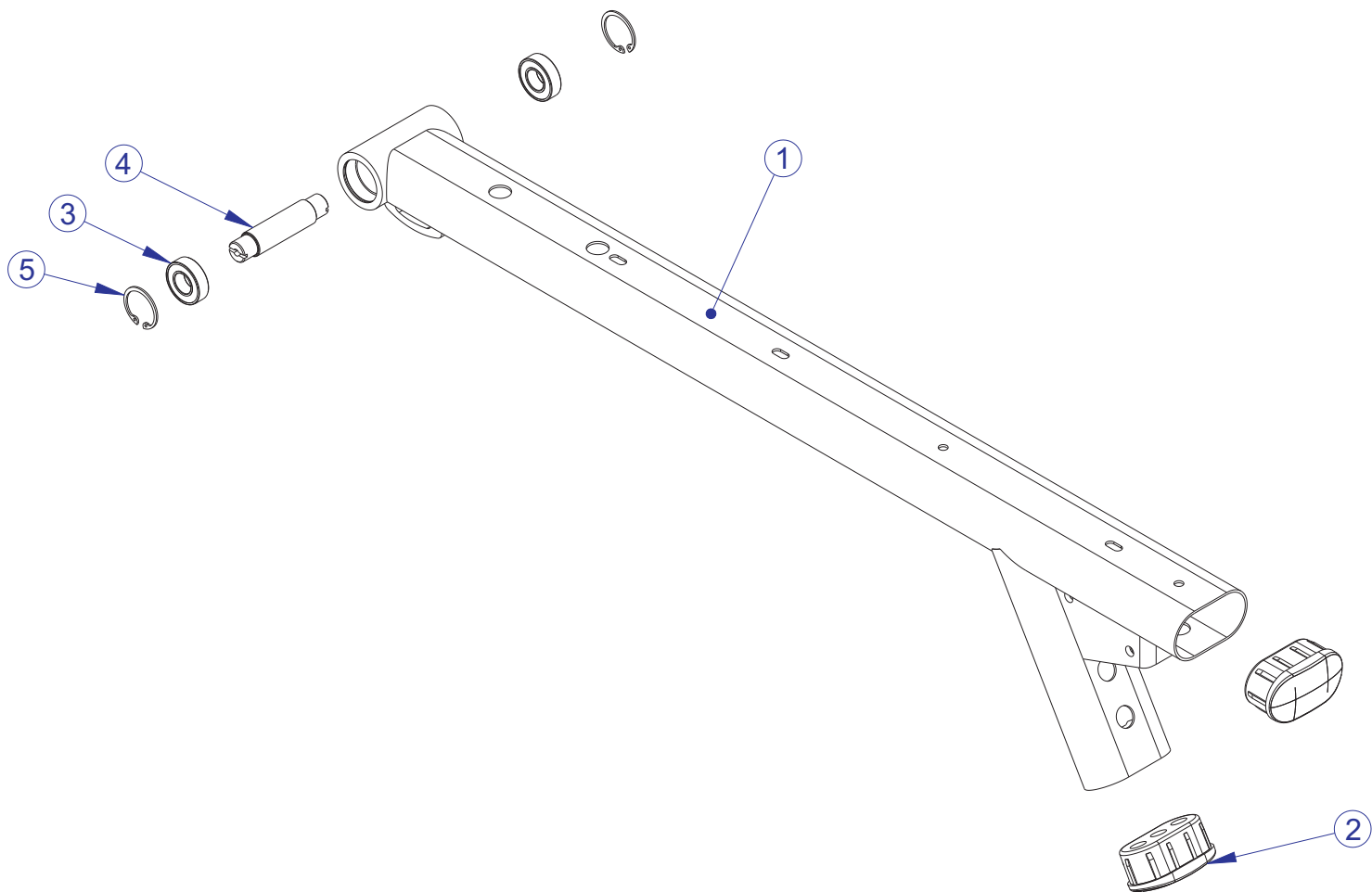
ITEM NO.	QTY.	PART NO.	DESCRIPTION
1	1	79018XX	PTD ASSY, SODB, UPRIGHT LEFT
2	1	7804601	GUARD, BAR CATCH, 10-0112-013, BNR
3	2	7804501	HOOK, BAR CATCH, 10-0112-012, BNR
4	9	3102514	WASHER, FLAT 3/8" SAE ST ZN
5	2	3251202	M10 X 1.5 X 25MM UNS HEX CS ST ZN
6	2	3242002	NUT, M10 X 1.5 HEX NYLOCK
7	1	7340201	COVER, FOOT - STRAIGHT
8	1	7763001	FOOT: 2.50 X 4.49
9	1	7800401	CAP; LRG FLOV END
10	1	8077501	GUARD, BAR CATCH, LOWER, 10-0112-020, BNR
11	1	8003301	LABEL, LIFE FIT 2-1/2 X 15 SG, 10-0177-025, BNR
12	9	3256202	SCREW, M10 X 1.5 25MM ZN

SODB SIGNATURE OLYMPIC DECLINE BENCH LEG SUPPORT ASSEMBLY - 79021XX



ITEM NO.	QTY.	PART NO.	DESCRIPTION
1	1	78965XX	WLDMT, SODB, LEG SUPPORT
2	2	7357901	SHAFT COLLAR, 1-1/2" ID ALUM
3	3	7800501	CAP, SML FLOV END
4	4	3247701	M4 X .7 HXS NO CUP ST BO
5	1	7662901	CAP, GRIP 1.25 OD
6	1	7662801	RING, GRIP 1.25 OD
7	1	7904001	GRIP, HAND, 1.00 I.D. X 4.50

SODB SIGNATURE OLYMPIC DECLINE BENCH CENTER FRAME ASSEMBLY - 79020XX



ITEM NO.	QTY.	PART NO.	DESCRIPTION
1	1	78980XX	WLDMT, SODB, CENTER FRAME
2	2	7800401	CAP, LRG FLOV END
3	2	3235601	BEARING, 6205 BALL
4	1	8160701	SHAFT, AB PRIMARY PIVOT
5	2	3261001	RING, RETAIN, INT, 50MM NOM

SODB SIGNATURE OLYMPIC DECLINE BENCH IMAGE

