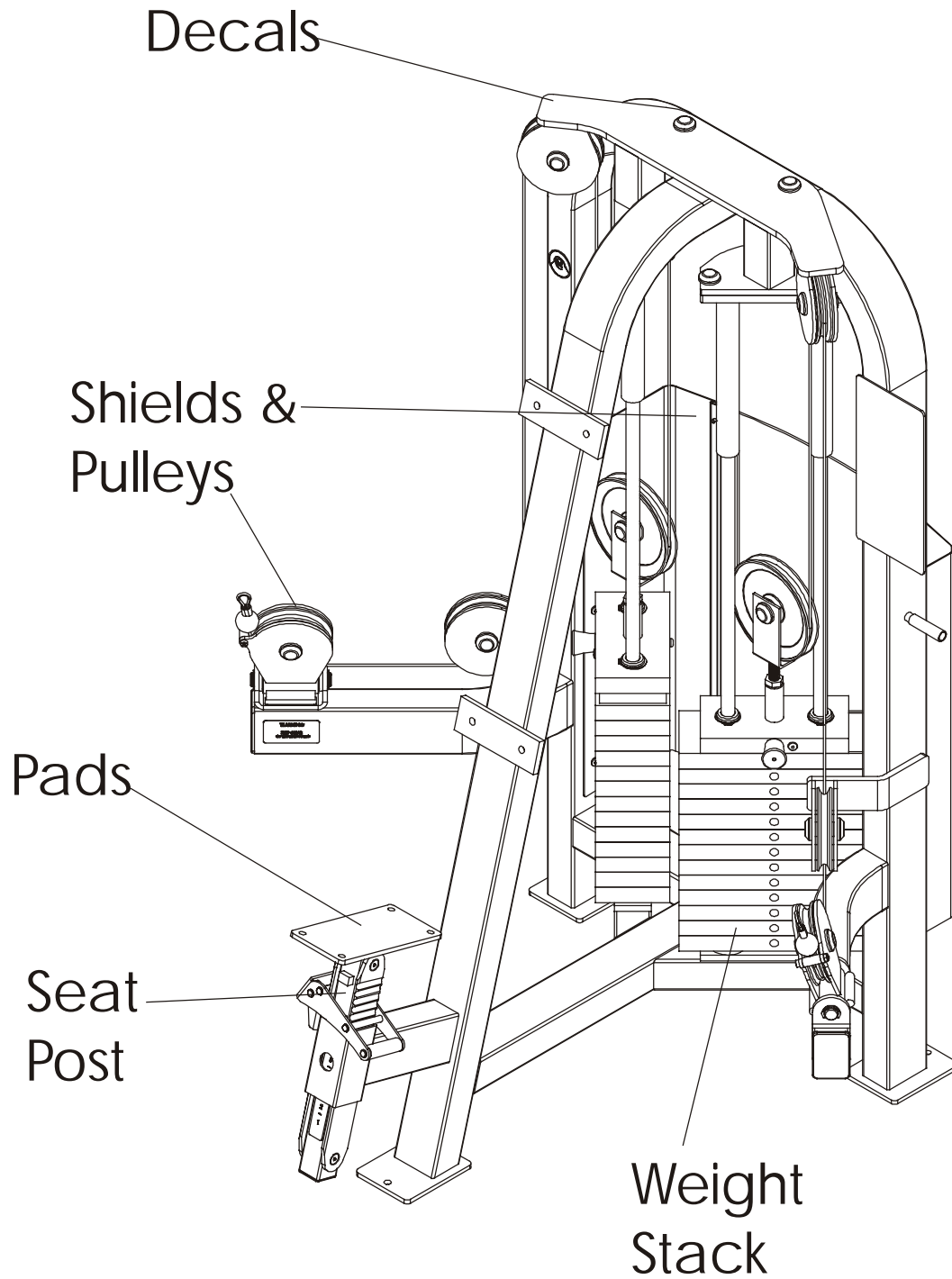


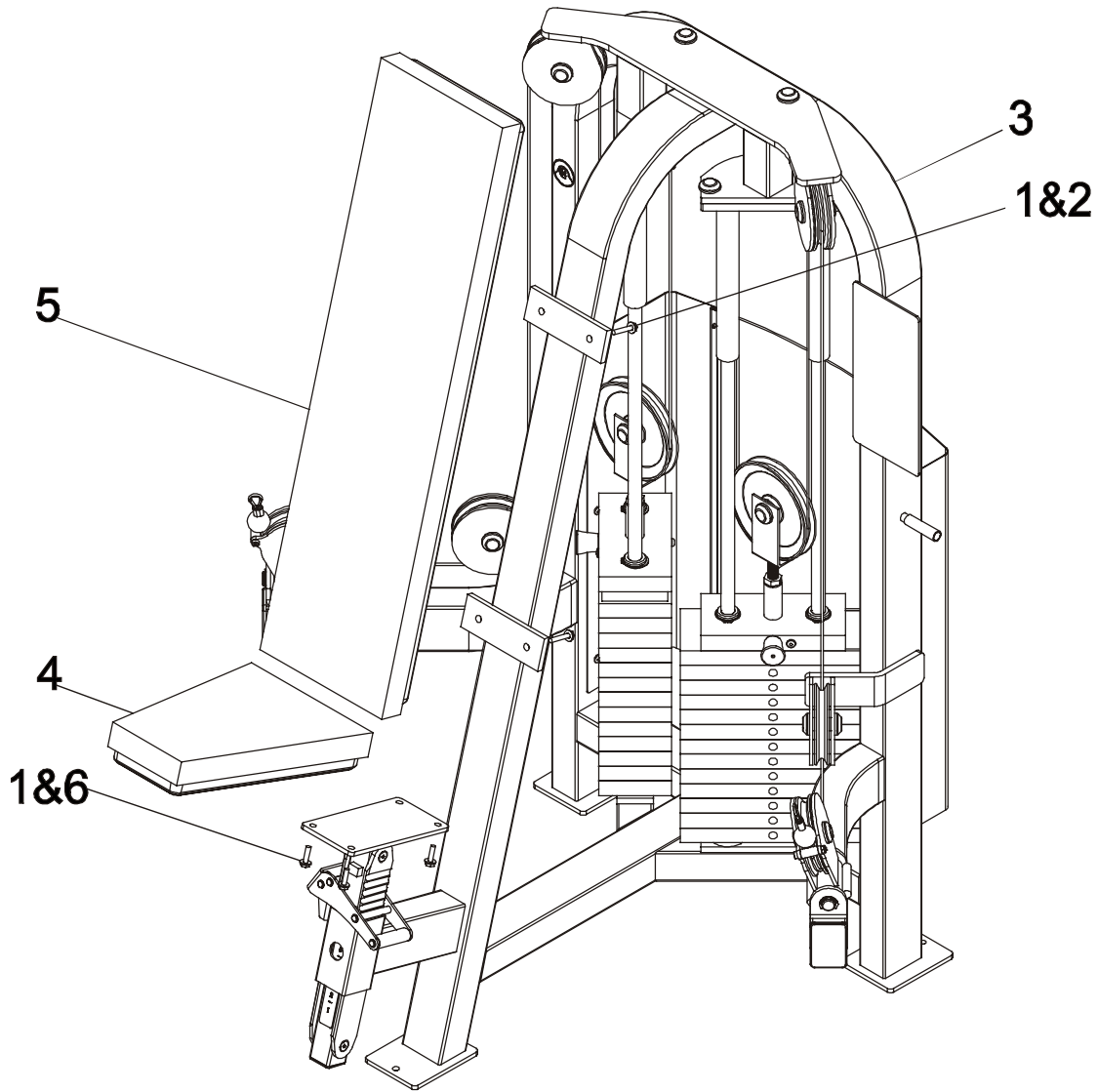
STRENGTH 9000 SERIES TRAINING EQUIPMENT

SM17 Dual Shoulder Top Assembly



STRENGTH 9000 SERIES TRAINING EQUIPMENT

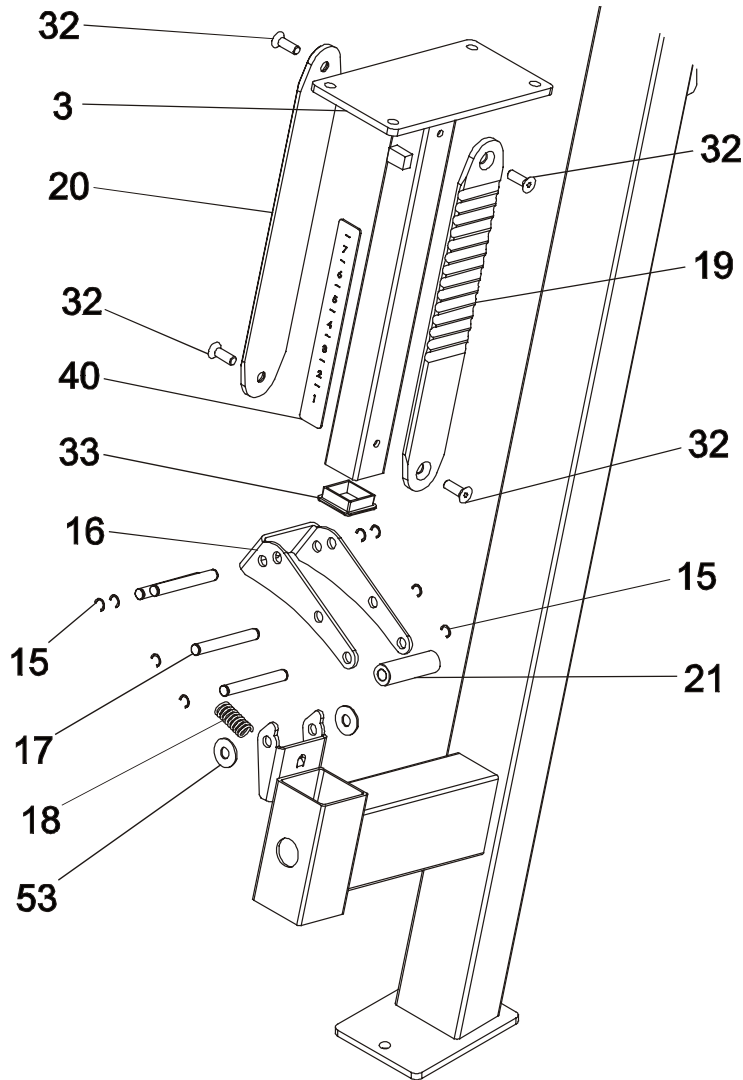
SM17 Dual Shoulder Top Assembly



ITEM NO.	QTY.	PART NO.	DESCRIPTION
1	8	0017-00104-0312	1/4" SAE Flat Washer
2	4	0017-00101-1472	1/4 X 1 1/2 Bolt
3	1	SM17-A0000-0000	DUAL SHOULDER TOP ASSEMBLY
4	1	0K50-US053-0000	SEAT PAD SET
5	1	0K50-US024-0000	SEAT BACK PAD SET
6	4	0017-00101-1391	1/4 X 1 Bolt

STRENGTH 9000 SERIES TRAINING EQUIPMENT

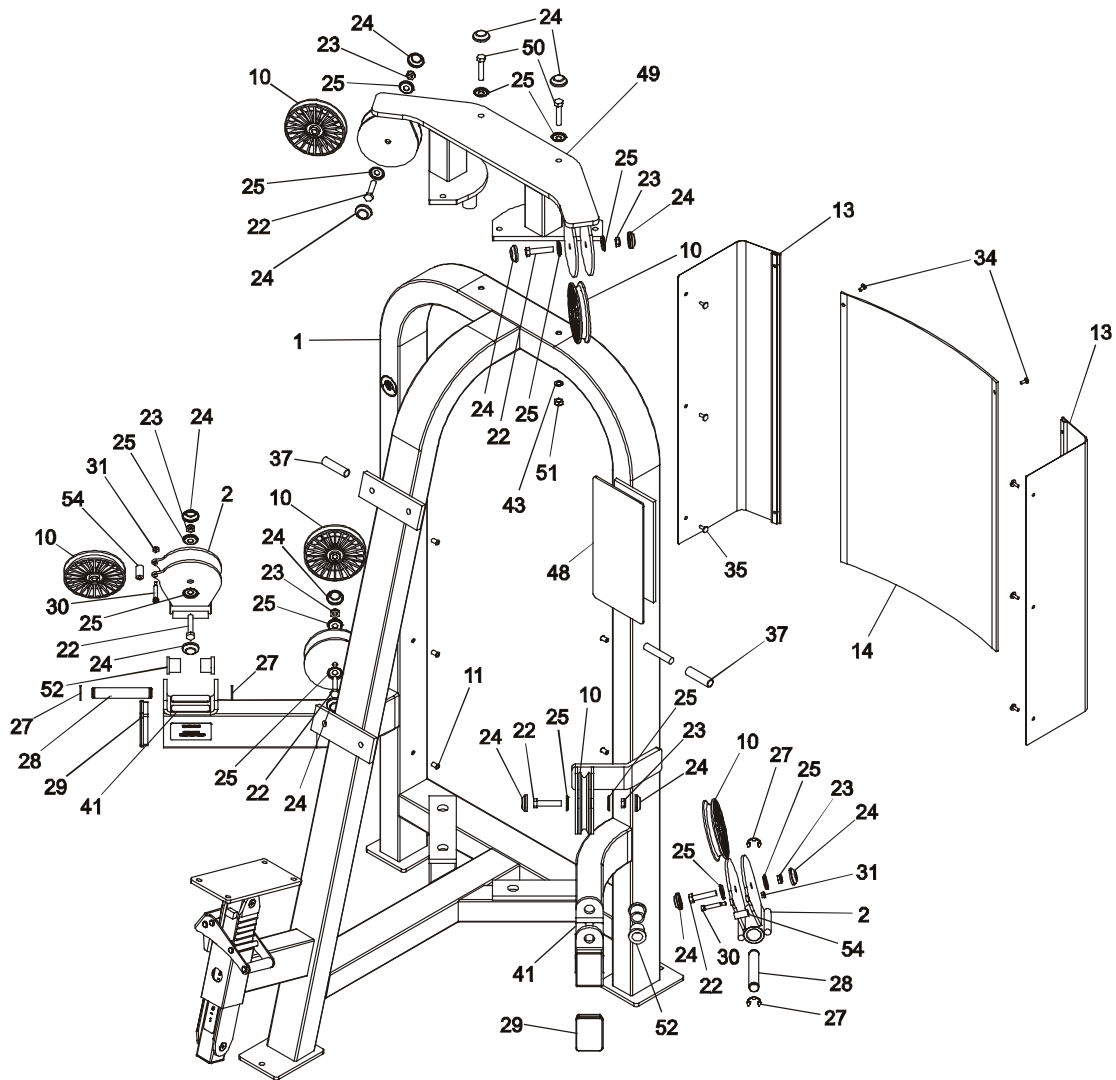
SM17 Dual Shoulder Top Assembly



ITEM NO.	QTY.	PART NO.	DESCRIPTION
3	1	AK50-S0028-0000	WELDMENT, SEAT POST
15	8	0017-00100-0190	CLIP, RETAINING
16	1	0K50-P0550-0000	LEVER, RELEASE
17	4	0K50-P0551-0000	PIN, GROOVED
18	1	0017-00009-1079	SPRING, COMPRESSION
19	1	0K50-P0547-0000	PLATE, FRONT STRIKER
20	1	0K50-P0548-0000	PLATE, BACK STRIKER
21	1	0017-00042-1089	PIN COVER (2.50")
32	4	0017-00101-1655	5/16" -24 X 3/4" HXS FLT BLT G5 BZ
33	1	0017-00042-0944	1.5" X 1.5" PLASTIC END CAP
40	1	M051-00363-A000	STRIP, NUMBER
53	2	0017-00104-0373	SPACER

STRENGTH 9000 SERIES TRAINING EQUIPMENT

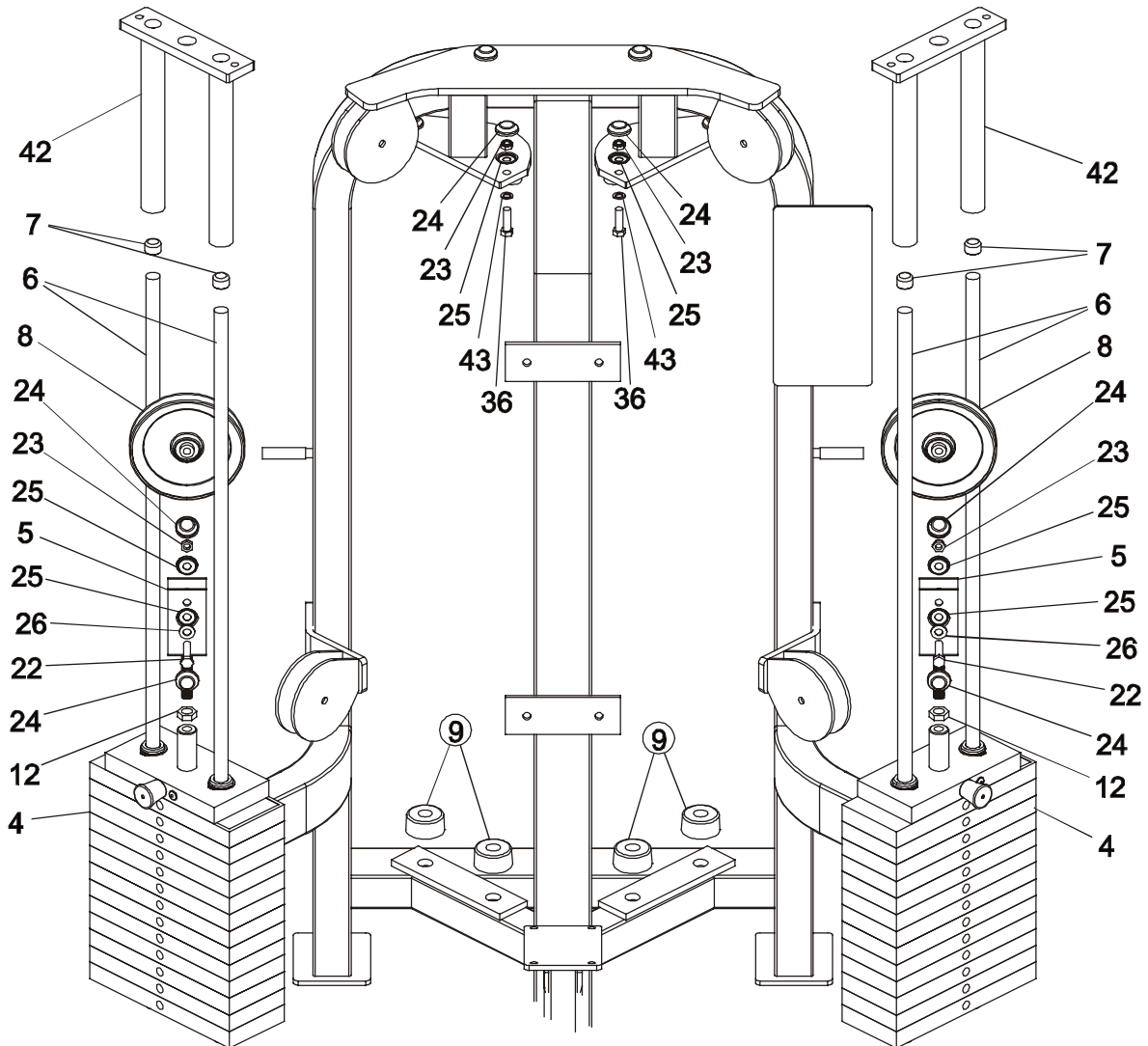
SM17 Dual Shoulder Top Assembly



ITEM NO.	QTY.	PART NO.	DESCRIPTION
1	1	SM17-S0001-0000	DUAL SHOULDER
2	2	SM17-S0002-0000	SWIVEL PULLEY SUB
10	6	0017-00009-0977	4-1/2" PULLEY W/ 1" HUB
11	6	0017-00103-0212	NUT 10-24 NUTSERT ST ZN
13	2	OK50-E0040	3.5" WIDE SIDE SHIELD
14	1	OK50-E0041 (FORMED)	SHEILD, PLASTIC
22	8	0017-00101-1413	3/8 X 1 3/4 Bolt
23	12	0017-00103-0217	3/8" Thin Lock Nut
24	22	0017-00042-0969	CAPLUG CAP; RH-20
25	22	0017-00104-0368	CAPLUG WASHER; RHW 205
27	4	0017-00009-1028	E-CLIP
28	2	FB31-M0038-0000	AXEL (2)
29	2	0017-00042-0959	2" X 3" X 11 GAUGE BLACK PLATIC
30	2	0017-00101-1392	1/4 - 20 X 20 HXS SOC SHL G8 ZN
31	2	0017-00103-0228	NUT 10 -24 NYLOC D ST ZN
34	2	0017-00101-1587	SHIELD RIVET
35	6	0017-00101-1616	10-24 X8 PHL PAN MS ST ZN
37	2	0017-00009-0947	2-1/4" NYLON PEG COVER
41	4	OK50-P0569-0000	PROTECTION STRIP
43	6	0017-00104-0352	WASHER, FLAT
48	1	SM17-PL000-0001	PLACARD
49	1	SM17-S0003-0000	DUAL SHOULDER
50	2	0017-00101-1422	3/8 X 3 Bolt
51	2	0017-00103-0229	3/8" THICK NYLOC NUT
52	4	0017-00009-0929	3/4 I.D. OILITE BUSHINB; FLANG
54	2	OK50-P0612-0000	CABLE RETAINER SLEEVE

STRENGTH 9000 SERIES TRAINING EQUIPMENT

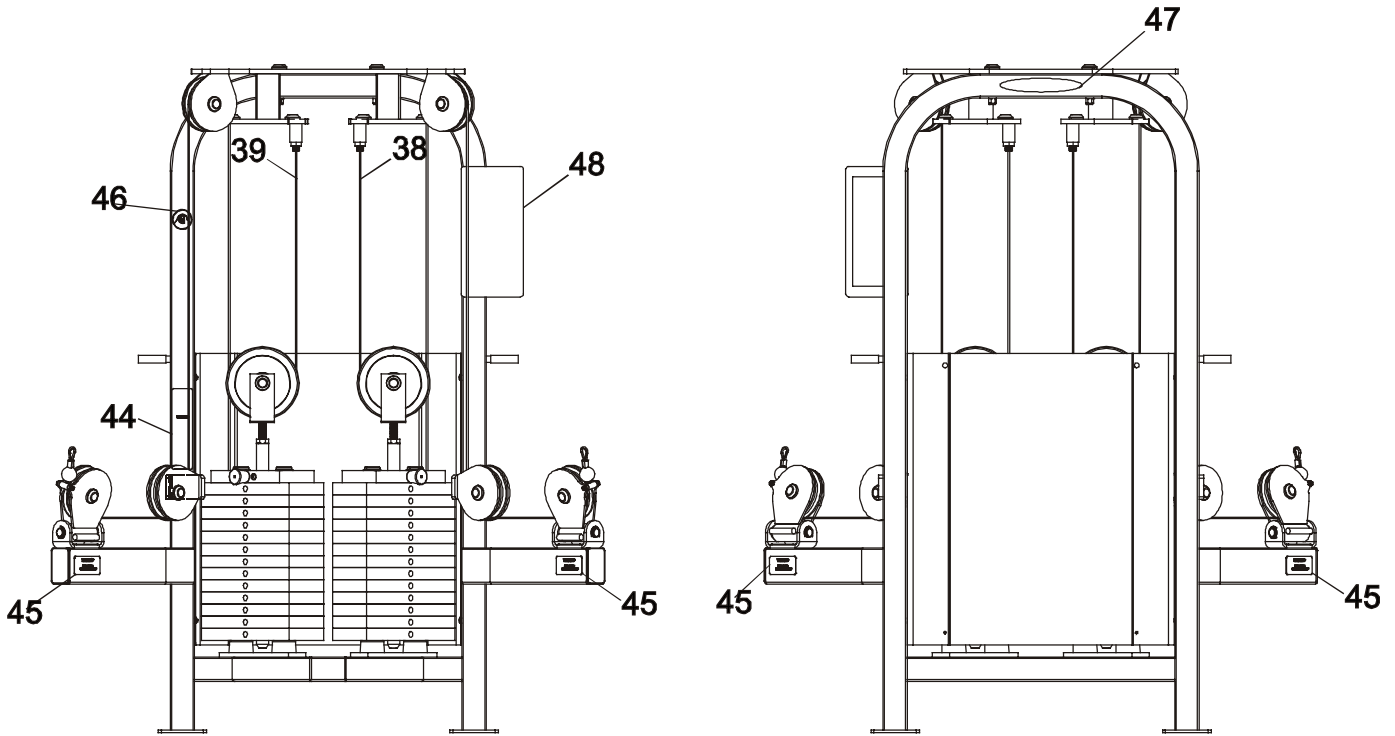
SM17 Dual Shoulder Top Assembly



ITEM NO.	QTY.	PART NO.	DESCRIPTION
4	2	AK50-WS012-0000	140 LB. WT. STACK
5	2	AK50-S0006-0000	PULLEY, FLOATING (MALE)
6	4	0017-00009-0933 (SM17)	GUIDE ROD (43.75")
7	4	0017-00042-0967	3/4 I.D. BLACK PLASTIC ROD CAP
8	2	0017-00009-0978	PULLEY 6" W/ 1" HUB
9	4	0017-00042-0993	WEIGHT STACK DONUT 1" THICK
12	2	0017-00103-0234	NUT 9/16 - 12 JAM D ST ZN
22	8	0017-00101-1413	3/8 X 1 3/4 Bolt
23	12	0017-00103-0217	3/8" Thin Lock Nut
24	22	0017-00042-0969	CAPLUG CAP; RH-20
25	22	0017-00104-0368	CAPLUG WASHER; RHW 205
26	2	0017-00104-0313	3/8" SAE Flat Washer
36	4	0017-00101-1412	3/8 X 1 1/4 Bolt
42	2	AK50-S0038-0000	TOP PLATE STOP
43	6	0017-00104-0352	WASHER, FLAT

STRENGTH 9000 SERIES TRAINING EQUIPMENT

SM17 Dual Shoulder Top Assembly



FRONT VIEW
DECAL PLACEMENT/BELT ROUTING

BACK VIEW
DECAL PLACEMENT

ITEM NO.	QTY.	PART NO.	DESCRIPTION
44	1	M051-00335-A000	WARNING DECAL
45	4	M051-00293-A000	WARNING DECAL
46	1	M051-00442-A000	MOTION TECHNOLOGY DECAL
47	1	0K50-01001-0003	L.F. NAME PLATE (SMALL)
48	1	SM17-PL000-0001	PLACARD