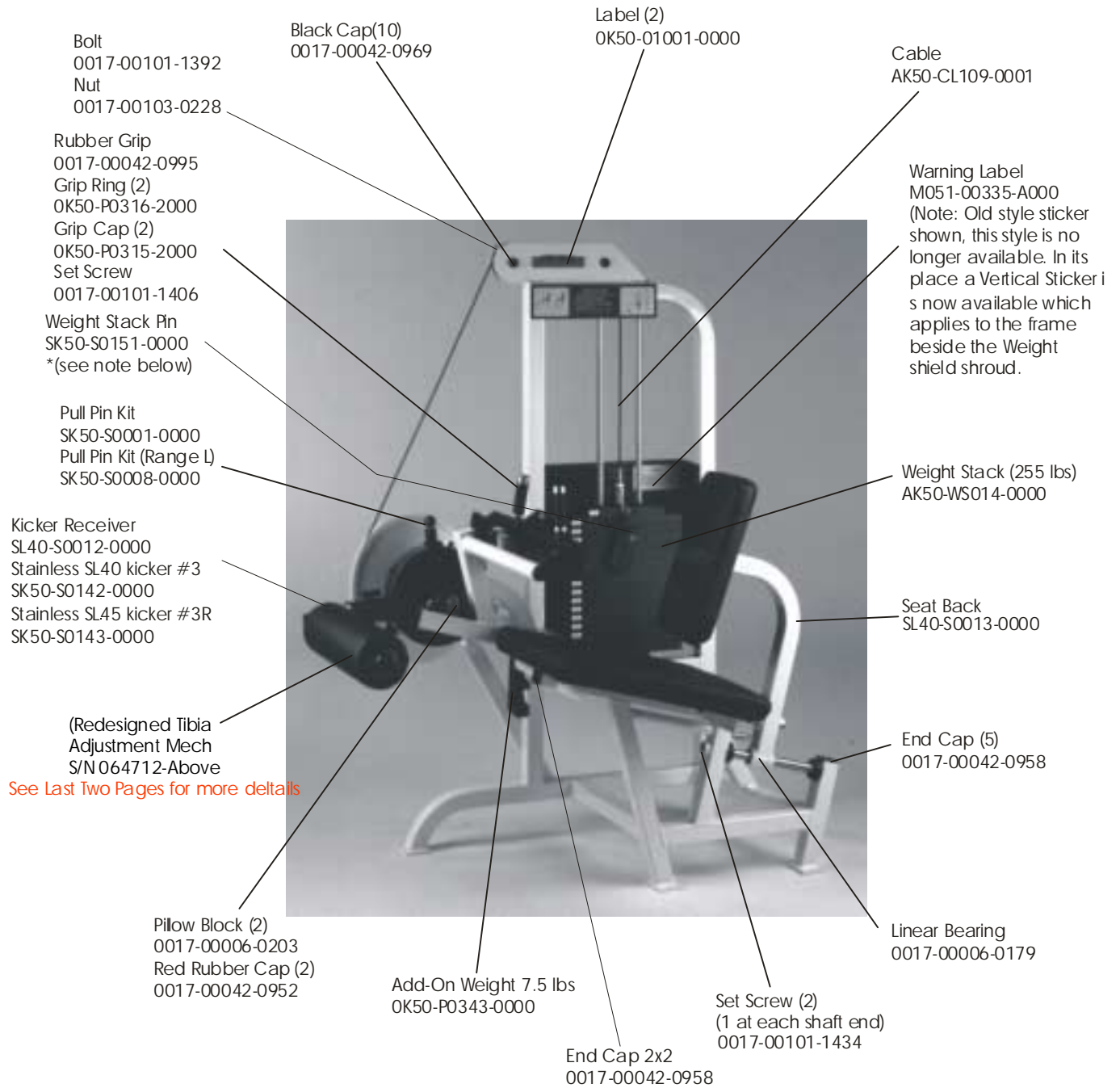


# STRENGTH 9000 SERIES TRAINING EQUIPMENT

## SL40/45 Seated Leg Curl



\*Note: Sk50-s0013-0000 should only be used on older units where the top plate on the weight stack contains no holes. This kit consists of pin, lanyard attachment and plastic eye loop. The plastic eye loop fits over the Bayonet. The old style pin which was made of plastic is going to be upgraded with a rubber tulip head pin, but will still work with this kit

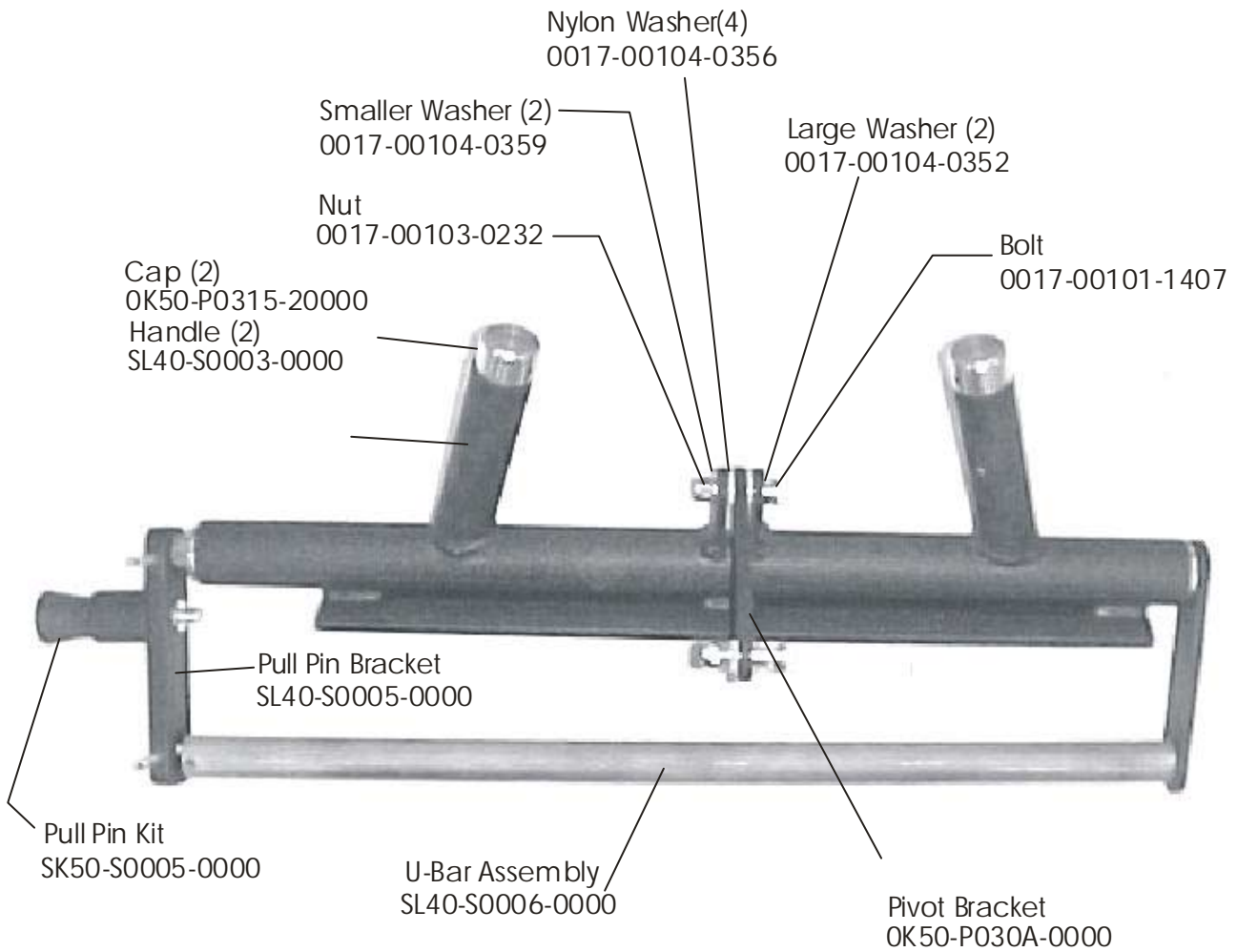
# STRENGTH 9000 SERIES TRAINING EQUIPMENT

## SL40/45 Seated Leg Curl



# STRENGTH 9000 SERIES TRAINING EQUIPMENT

## SL40/45 Seated Leg Curl



Chrome Selector Housing  
 SL40-S0007-0000

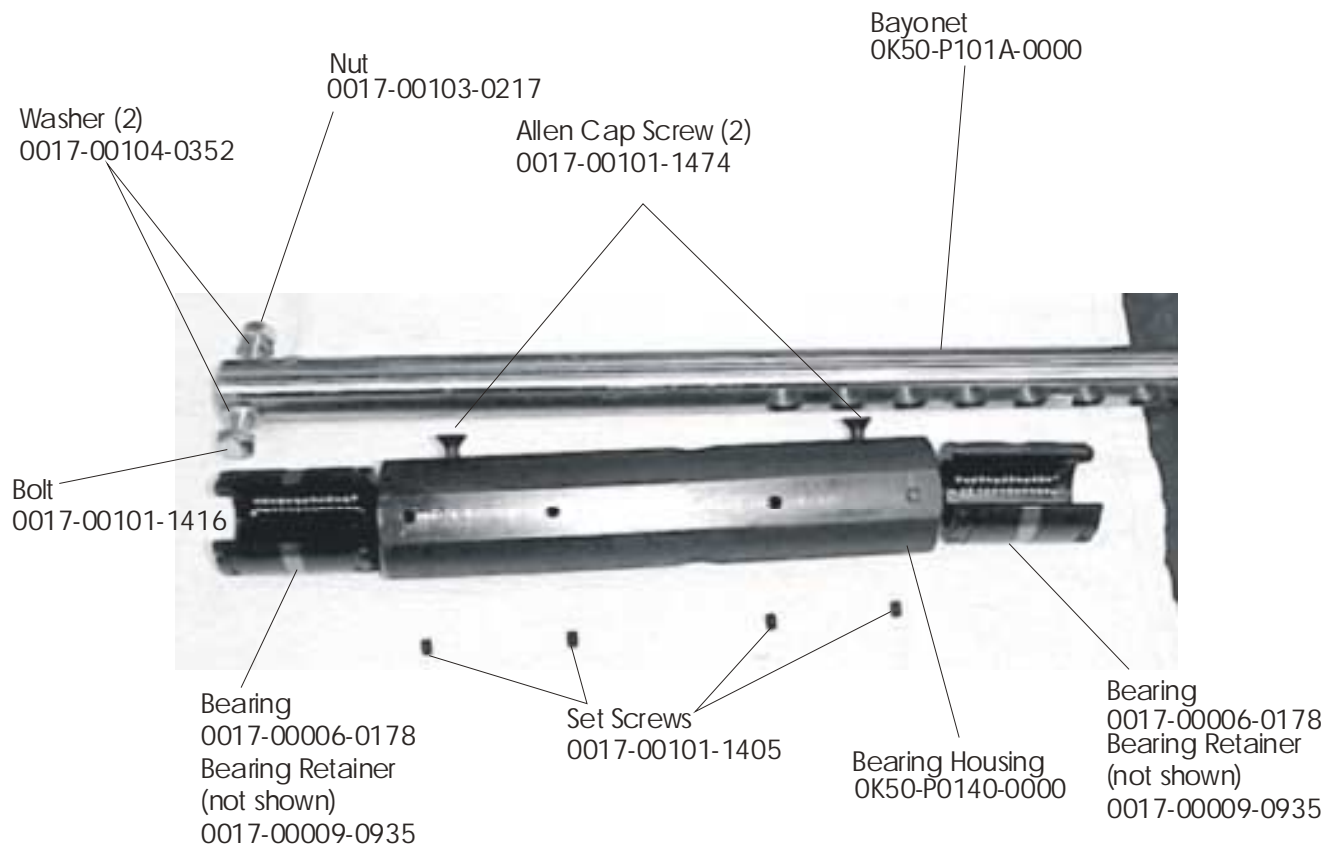
Allen Screw  
 0017-00101-1558

Allen Bolt  
 0017-00101-1514  
 5/16" Nut  
 0017-00103-0239  
 Washer  
 0017-00104-0368  
 Finishing Cap  
 017-00042-0969



# STRENGTH 9000 SERIES TRAINING EQUIPMENT

## SL20/25/40/48 Leg Extension Curl – Under Seat Bearing Housing



# STRENGTH 9000 SERIES TRAINING EQUIPMENT

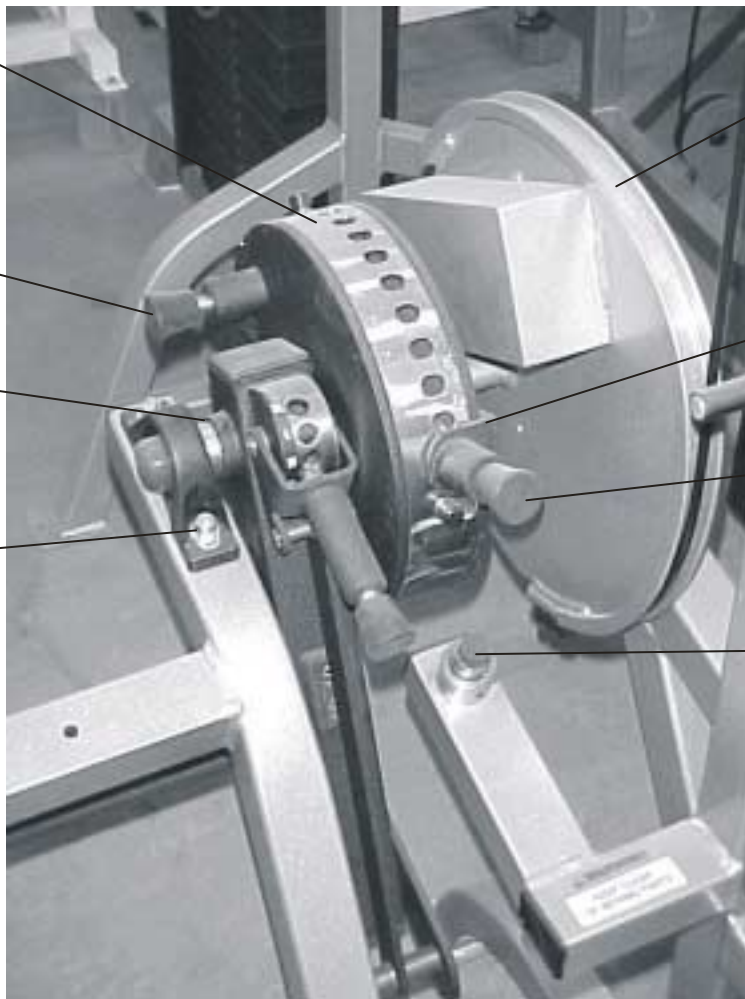
## Range Limiter

Polished Hub  
 SL25-S0006-0000  
 SL35-S0005-0000  
 AK50-S0012-0000  
 ST25-S0006-0000

Pull Pin Kit  
 SK50-S0008-0000

Shaft Collar (2)  
 0017-00009-0942

3-1/4" Bolt  
 0017-00101-1425  
 Washer  
 0017-00101-0313  
 Cap Washer  
 0017-00104-0368  
 3/8" Nut  
 0017-00103-0229  
 Star Washer  
 0017-00009-0937  
 Back Cap  
 0017-00042-0949



R/L Cam Assembly  
 SL25-S0008-0000  
 SL35-S0003-0000  
 SL45-S0012-0000  
 ST25-S0010-0000

Common Plate  
 AK50-S0008-0000  
 (Used on all R/L Units)

Pull Pin Kit  
 SK50-S0008-0000

Brass Bushing  
 0017-0009-0925  
 Machined Part  
 OK50-PO324-0000  
 Spring  
 0017-0009-0995  
 Rubber Stop  
 0017-00103-0265  
 Set Screw  
 0017-00101-1448

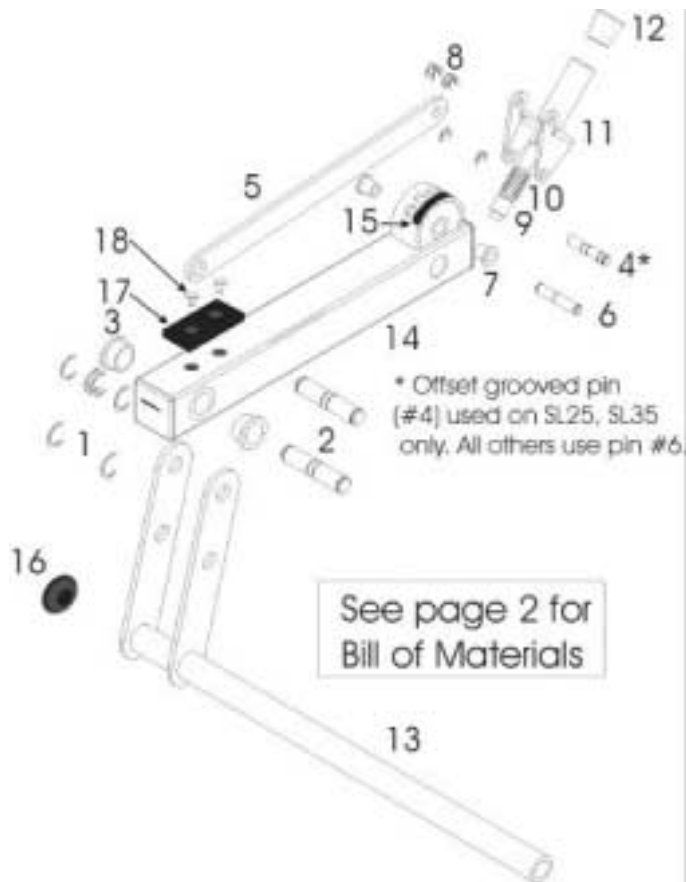
OLD STYLE Tibia (Kicker)  
 SL25-S0005-0000  
 SL35-S0004-0000  
 SL45-S0011-0000  
 ST25-S0005-0000

# STRENGTH 9000 SERIES TRAINING EQUIPMENT



Bulletin #	Revision	Distribution	Date	Author
ST01041701	Original	<input checked="" type="checkbox"/> Domestic <input type="checkbox"/> International	April 17, 2001	Taylor
<b>Subject:</b> Redesigned Tibia Adjustment Mechanism				
<b>Serial Number:</b> SL20 SN064553, SL25 SN064574, SL30 SN070587, SL35 SN070857, SL40 SN064555, SL45 SN064712, ST20 SN070509, and ST25 SN070642				
<b>Time Required:</b> <input type="checkbox"/> 15 min <input type="checkbox"/> 30 min <input type="checkbox"/> 45 min <input type="checkbox"/> 1 hr +				
<b>Classification:</b> <input type="checkbox"/> Internal <input type="checkbox"/> Dealer <input checked="" type="checkbox"/> General				

A redesigned tibia adjustment mechanism is factory installed on models and serial numbers as indicated above. Use exploded view and the corresponding parts list as necessary.



## STRENGTH 9000 SERIES TRAINING EQUIPMENT

PARTS FOR TIBIA ADJUSTMENT MECHANISM			
Item	Qty	Part Number	Description
1	6	0017-00100-0192	3/4" Retaining Clips
2	2	0K50-P0544-0000	3/4" Grooved Pins
3	2	0017-00009-0929	3/4" Bushings
4	1	0K50-P0582-0000	7/16" Offset Pin (SL25 and SL35)
5	1	0K50-P0573-0000	Kicker Link (SL40 and SL45)
5	1	0K50-P0553-0000	Kicker Link (SL20 and SL25)
6	1	0K50-00564-0000	7/16" Grooved Pin
7	2	0017-00009-0931	7/16" Bushings
8	6	0017-00100-0191	7/16" Retaining Clips
9	1	0K50-P0121-0000	Handle Pin
10	1	0017-00009-0994	Spring
11	1	AK50-S0030-0000	Pull Pin Bracket
12	1	0017-00009-1077	Tulip Handle
13	1	AK50-S0031-0000	Swivel Pad Mount
14	1	SL20-S0011-0000	Kicker Tube
		SL25-S0009-0000	
		SL30-S0005-0000	
		SL35-S0001-0000	
		SL40-S0014-0000	
		SL45-S0012-0000	
		ST25-S0011-0000	
		ST20-S0008-0000	
15	1	M051-00360-A000	Letter Strip (SL20 and SL25)
		M051-00362-A000	Letter Strip (SL30, SL35, SL40, SL45, ST20, ST25)
16	1	0017-00009-1091	Black Cap
17	1	0017-00042-1032	Bumper
18	2	0017-00072-0136	Rivets