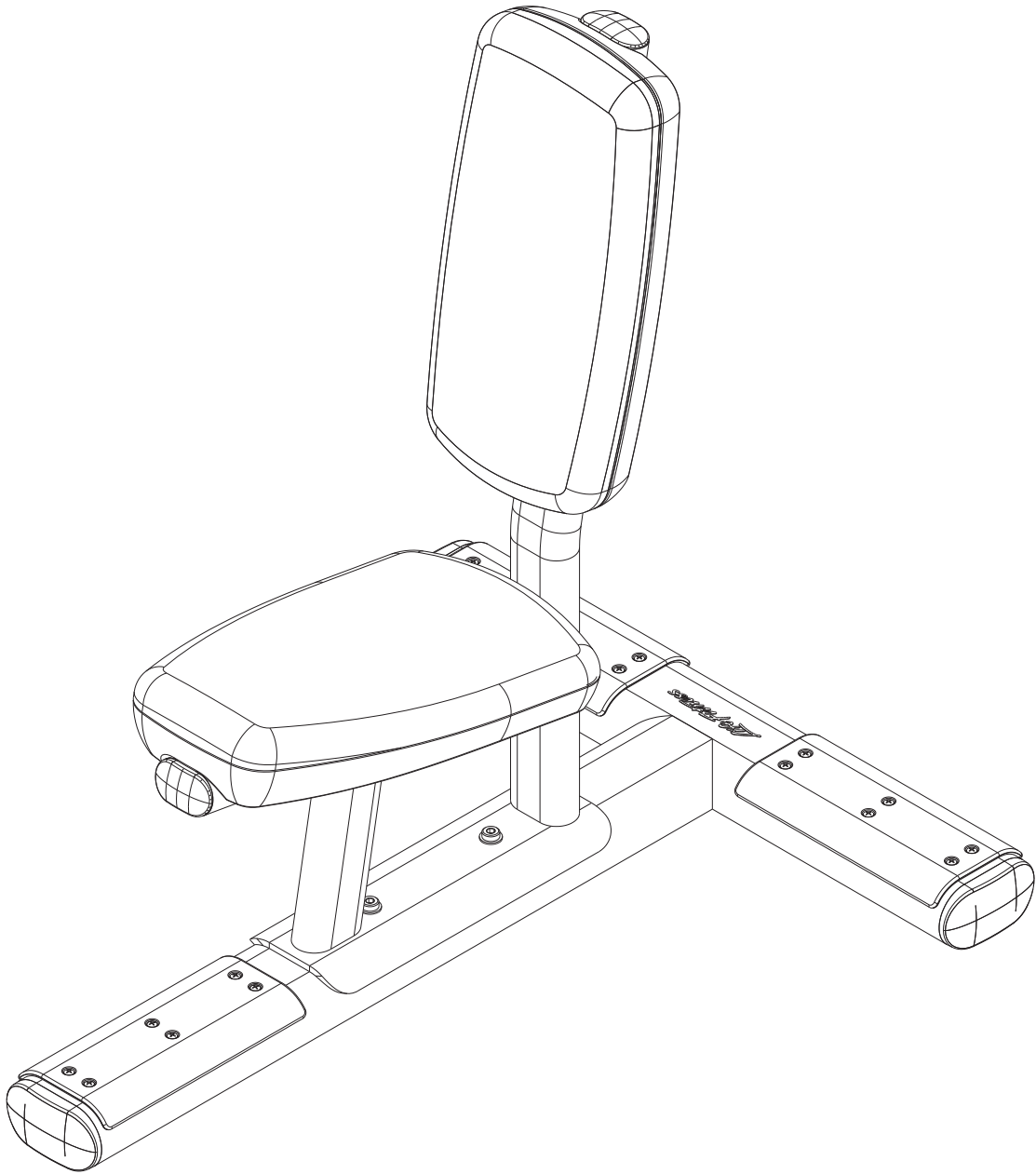




SIGNATURE SERIES
SUB
SIGNATURE UTILITY BENCH



Customer Support Services
PARTS LIST

SUB SIGNATURE UTILITY BENCH CONTENTS

	PAGE
COMPONENT ASSEMBLY	3
COMPONENT ASSEMBLY LEGEND	4
BASE FRAME ASSEMBLY	5
BASE FRAME ASSEMBLY LEGEND	6
SEAT FRAME ASSEMBLY	7
IMAGE	8

NOTE: SUBSTITUTE PART NUMBERS ENDING WITH 'XX' WITH THE REQUIRED COLOR CODES.

FRAME

01 = WHITE

02 = PLATINUM

PADS

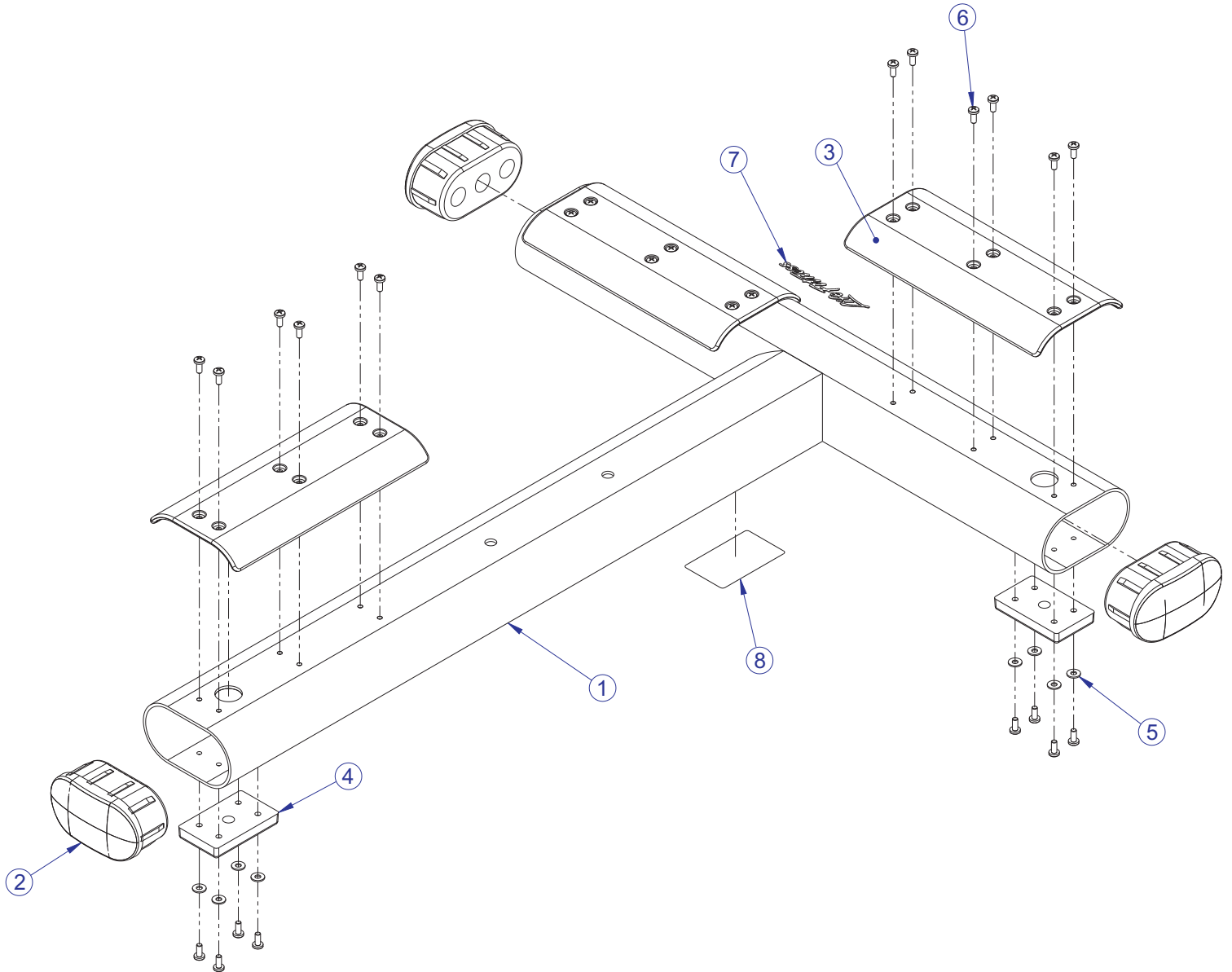
01 = BLACK

99 = CUSTOM

SUB SIGNATURE UTILITY BENCH COMPONENT ASSEMBLY LEGEND

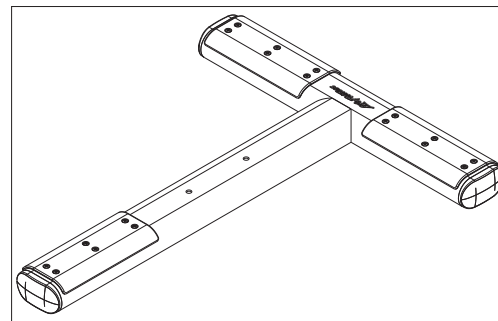
ITEM NO.	QTY.	PART NO.	DESCRIPTION
1	1	78411XX	PTD ASSY, SUB, BASE FRAME
2	1	78412XX	PTD ASSY, SUB, SEAT FRAME
3	1	74689XX	PAD 18 X 9 CONVEX
4	1	78138XX	PAD, 10 X 16 TAPERED CONVEX
5	6	3237403	PLUG, 1" HOLE
6	8	3102514	WASHER, FLAT 3/8" SAE ST ZN
7	4	LEA3256204	SCREW, M10 X1.5 35MM
8	2	3256202	SCREW, M10 X1.5 25MM
9	2	3242002	NUT, M10 X 1.5 HEX NYLOCK
10	1	8137801	DECAL, WARNING, VERT, MULTI-LANG SHEET

SUB SIGNATURE UTILITY BENCH BASE FRAME ASSEMBLY - 78411XX



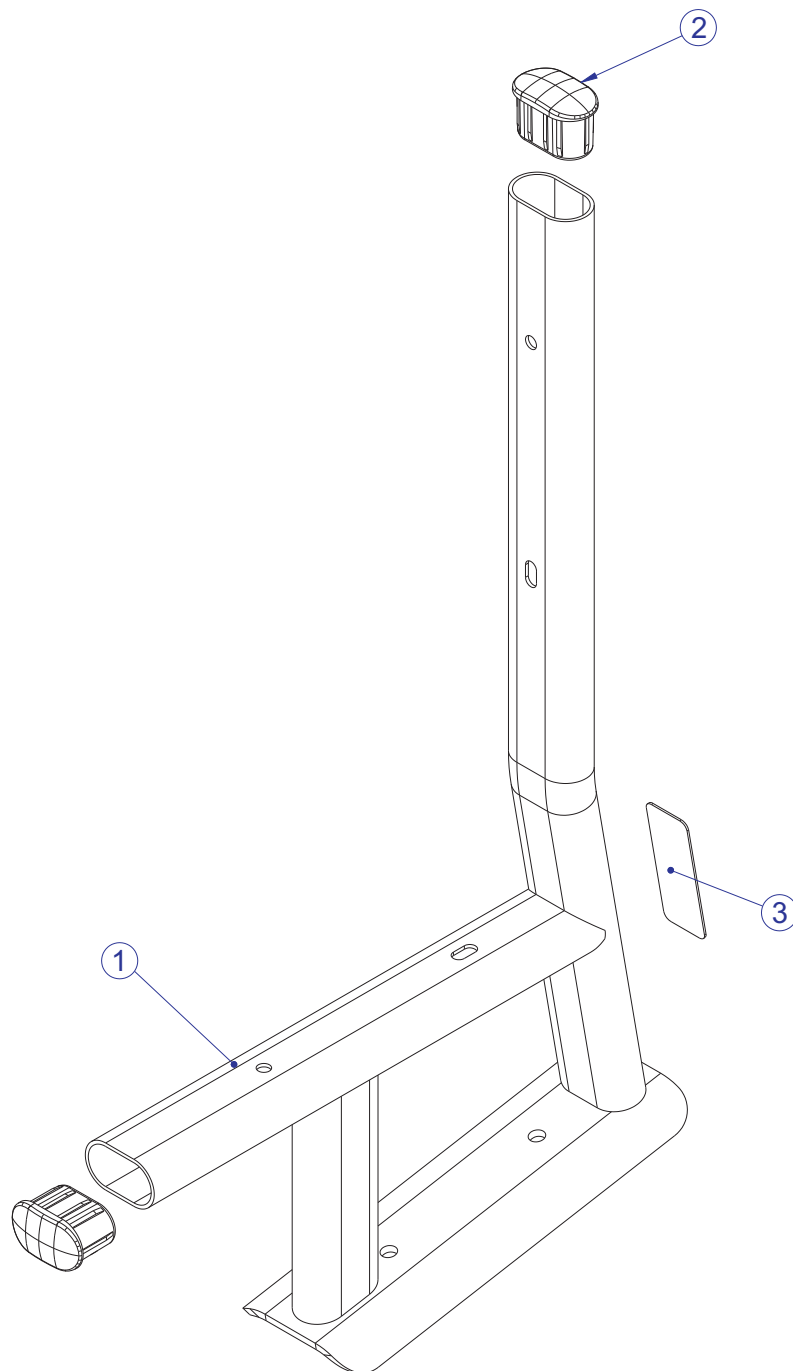
SEE PAGE 6 FOR LEGEND

SUB SIGNATURE UTILITY BENCH BASE FRAME ASSEMBLY LEGEND



ITEM NO.	QTY.	PART NO.	DESCRIPTION
1	1	78411XX	PTD ASSY, SUB, BASE FRAME
2	3	7800401	CAP, LRG FLOV END
3	3	7821702	GUARD PAINT
4	3	7810801	PAD, RUBBER FOOT
5	12	3114407	WASHER, SAE #10
6	30	3239102	SCREW, M5X12 PHL PAN TT ST BZ
7	1	8106101	LABEL, LIFE FIT 13/16 X 4-3/8" SG
8	1	8106801	LABEL, SERIAL NUMBER, LARGE

SUB SIGNATURE UTILITY BENCH SEAT FRAME ASSEMBLY - 78412XX



ITEM NO.	QTY.	PART NO.	DESCRIPTION
1	1	78412XX	PTD ASSY, SUB, SEAT FRAME
2	2	7800501	CAP, SML FLOV END
3	1	LEA7002401	LABEL, V WARNING 4.5 X 1.625

SUB SIGNATURE UTILITY BENCH IMAGE

