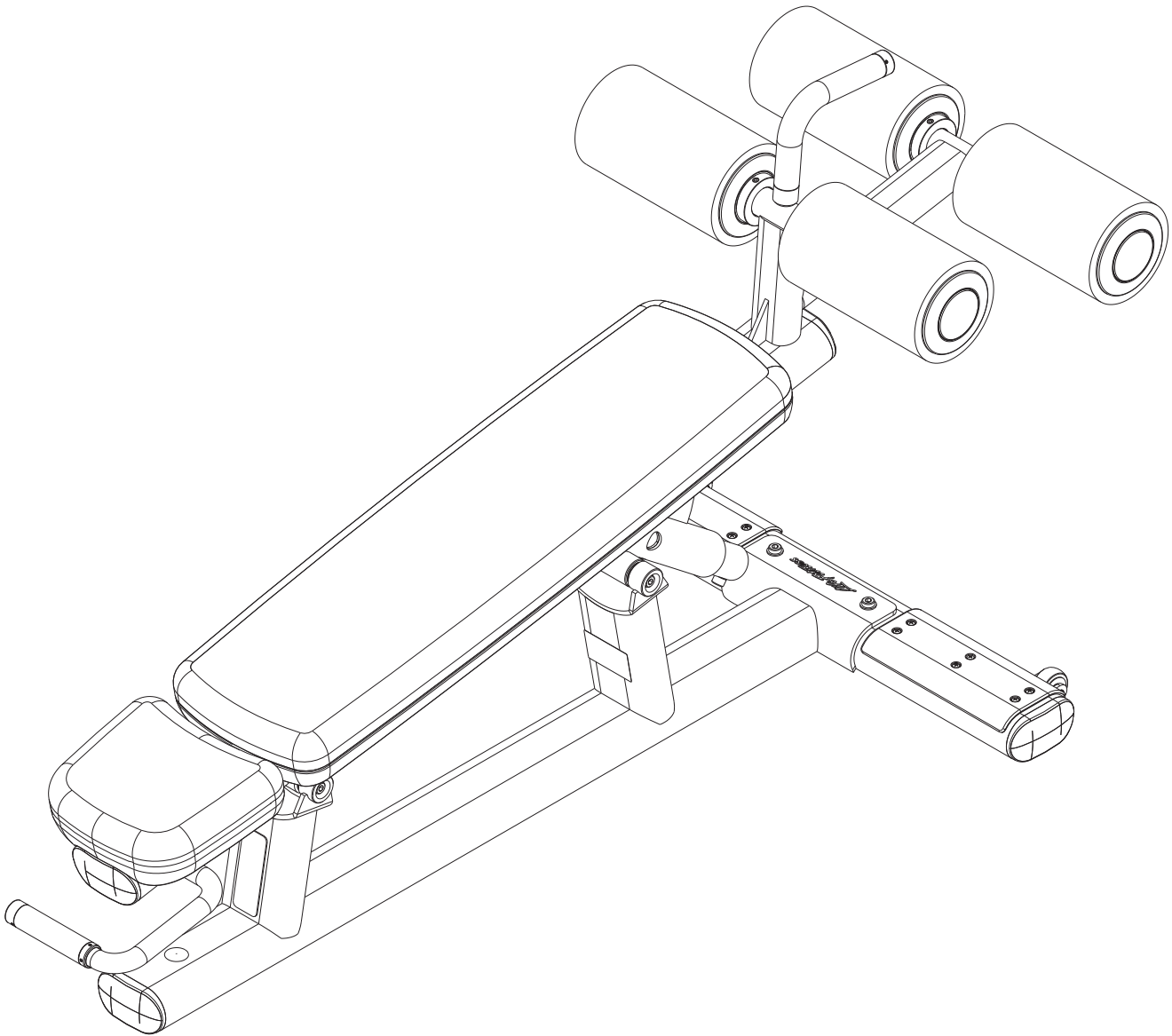




SIGNATURE SERIES
SADB
SIGNATURE ADJUSTABLE DECLINE BENCH



Customer Support Services
PARTS LIST

SADB SIGNATURE ADJUSTABLE DECLINE BENCH CONTENTS

	PAGE
COMPONENT ASSEMBLY	3
COMPONENT ASSEMBLY LEGEND	4
BASE FRAME ASSEMBLY	5
BACK ASSEMBLY	6
BACK ASSEMBLY LEGEND	7
BASE ASSEMBLY	8
SEAT ADJUST ASSEMBLY	9
IMAGE	10

NOTE: SUBSTITUTE PART NUMBERS ENDING WITH 'XX' WITH THE REQUIRED COLOR CODES.

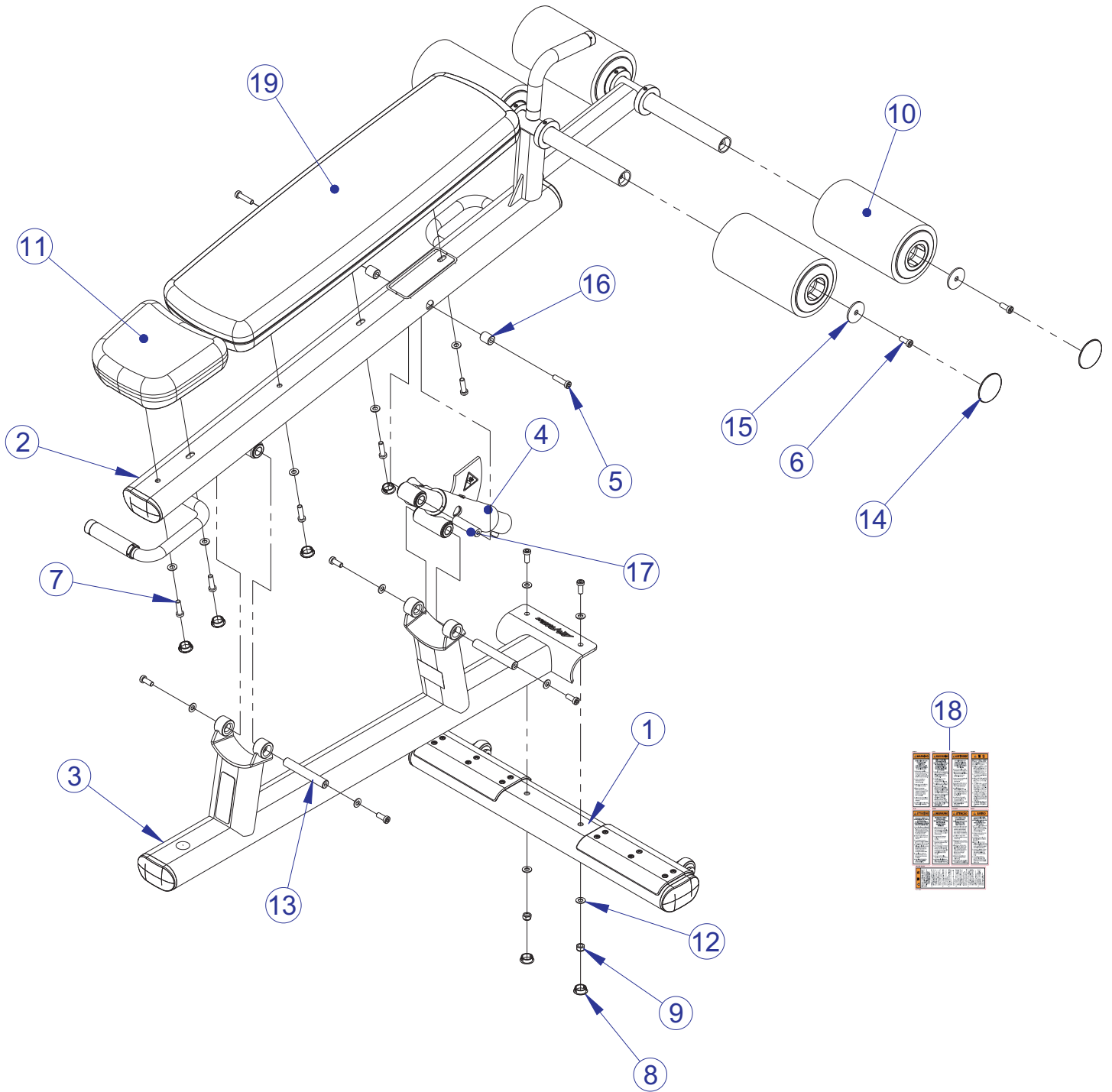
FRAME

01 = WHITE
02 = PLATINUM
03 = BLACK

PADS

01 = BLACK
99 = CUSTOM

SADB SIGNATURE ADJUSTABLE DECLINE BENCH COMPONENT ASSEMBLY

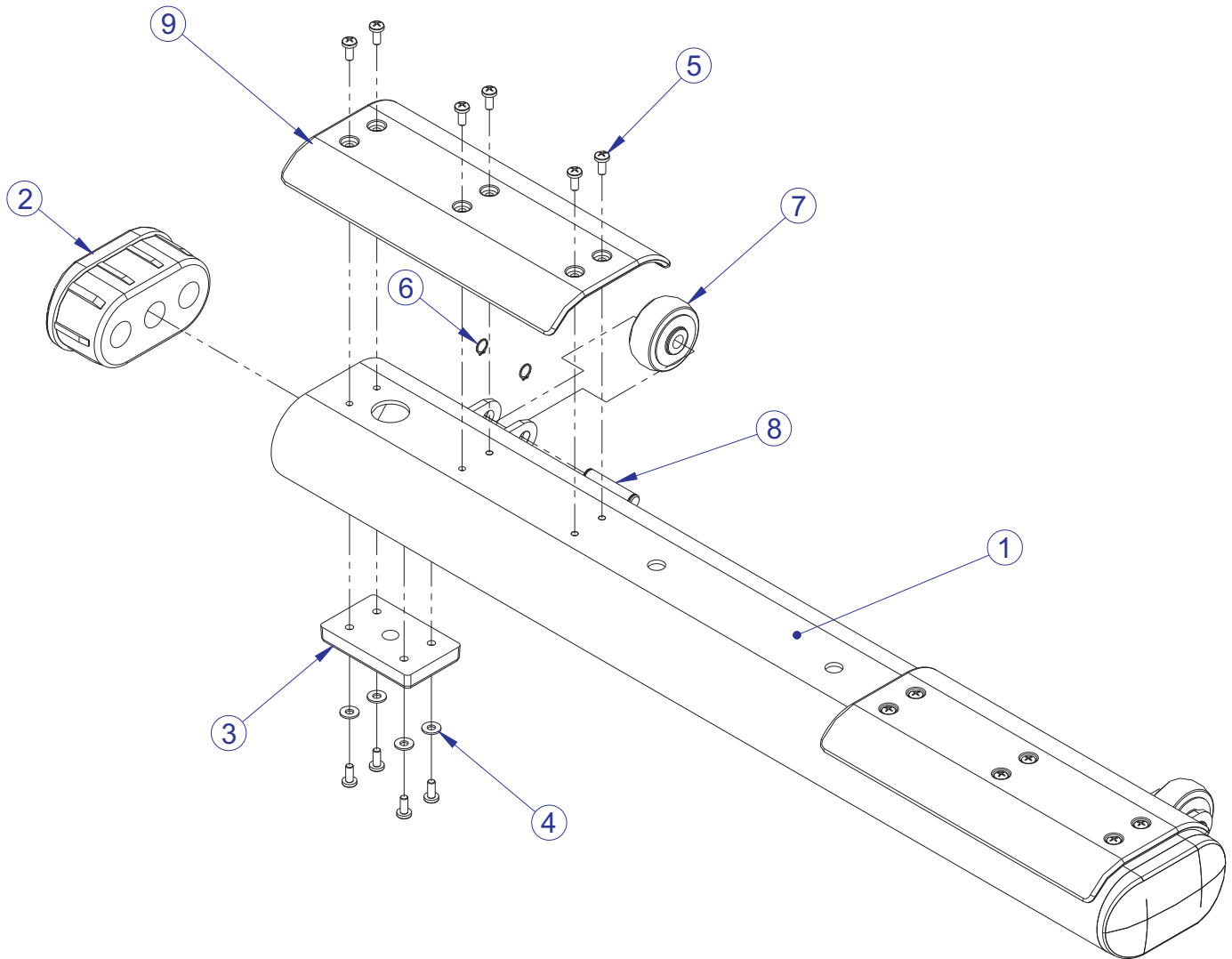


SEE PAGE 4 FOR LEGEND

SADB SIGNATURE ADJUSTABLE DECLINE BENCH COMPONENT ASSEMBLY LEGEND

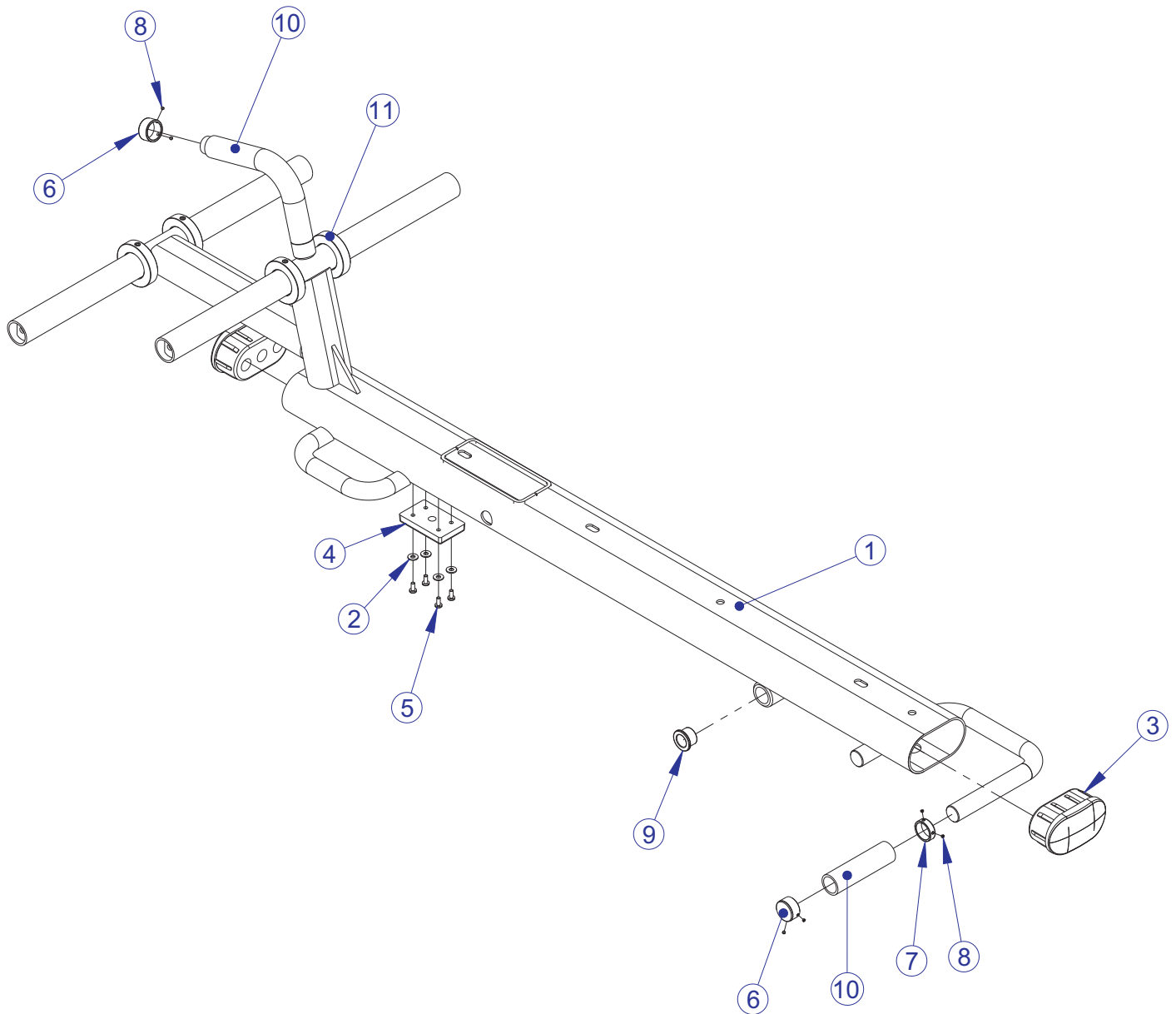
ITEM NO.	QTY.	PART NO.	DESCRIPTION
1	1	82390XX	PTD ASSY, SADB, BASE FRAME
2	1	82374XX	PTD ASSY, SADB, BACK FLOV
3	1	82377XX	PTD ASSY, SADB, BASE
4	1	82463XX	PTD ASSY, SADB, SEAT ADJ
5	2	3256205	SCREW, M10 X 1.5 40MM ZN
6	10	3256202	SCREW, M10 X 1.5 25MM ZN
7	5	3256204	SCREW, M10 X 1.5 35MM ZN
8	7	3237403	PLUG, 1" HOLE
9	2	3242002	NUT, M10 X 1.5 HEX NYLOCK
10	4	74247XX	ASSY, ROLLER PAD SHORT
11	1	78219XX	PAD, HEAD REST, FLAT
12	13	3102514	WASHER, FLAT 3/8" SAE ST ZN
13	2	8239501	SHAFT, 0.75" OD X 4.82"
14	4	7308701	CAP, BEARING HOUSING
15	4	7322301	PLATE, 1.97 OD X .447 ID 10GA
16	2	8140201	SPACER, 0.94 OD X .42 ID X 1" LONG
17	1	8140101	SHAFT; PIVOT, SMAB
18	1	8137801	DECAL, WARNING, VERT, MULTI-LANG SHT, BNR
19	1	78218XX	PAD, 36 X 11 FLAT

SADB SIGNATURE ADJUSTABLE DECLINE BENCH BASE FRAME ASSEMBLY - 82390XX



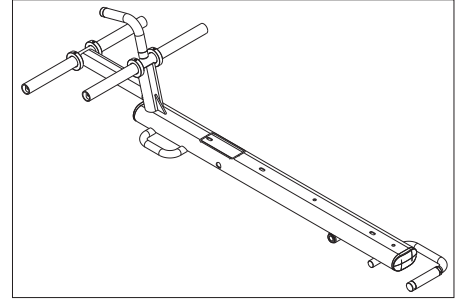
ITEM NO.	QTY.	PART NO.	DESCRIPTION
1	1	82393XX	WLDMT, SADB, BASE SPRT
2	2	7800401	CAP; LRG FLOV END
3	2	7810801	PAD, RUBBER FOOT, 10-0101-006, BNR
4	8	3114407	WASHER, FLAT #10 SAE ST BZ
5	20	3239102	SCREW, M5 X .8 X 12 PHL PAN TT ST BZ
6	4	3232405	RNG, BRE .352,5100-37,ST,PP,B
7	2	7656301	WHEEL, 2 OD X 3/8 ID RUBBER
8	2	7705302	AXLE, WHEEL
9	2	7821702	GUARD, PAINT, LONG, 10-0115-0009, BNR

SADB SIGNATURE ADJUSTABLE DECLINE BENCH BACK ASSEMBLY - 82374XX



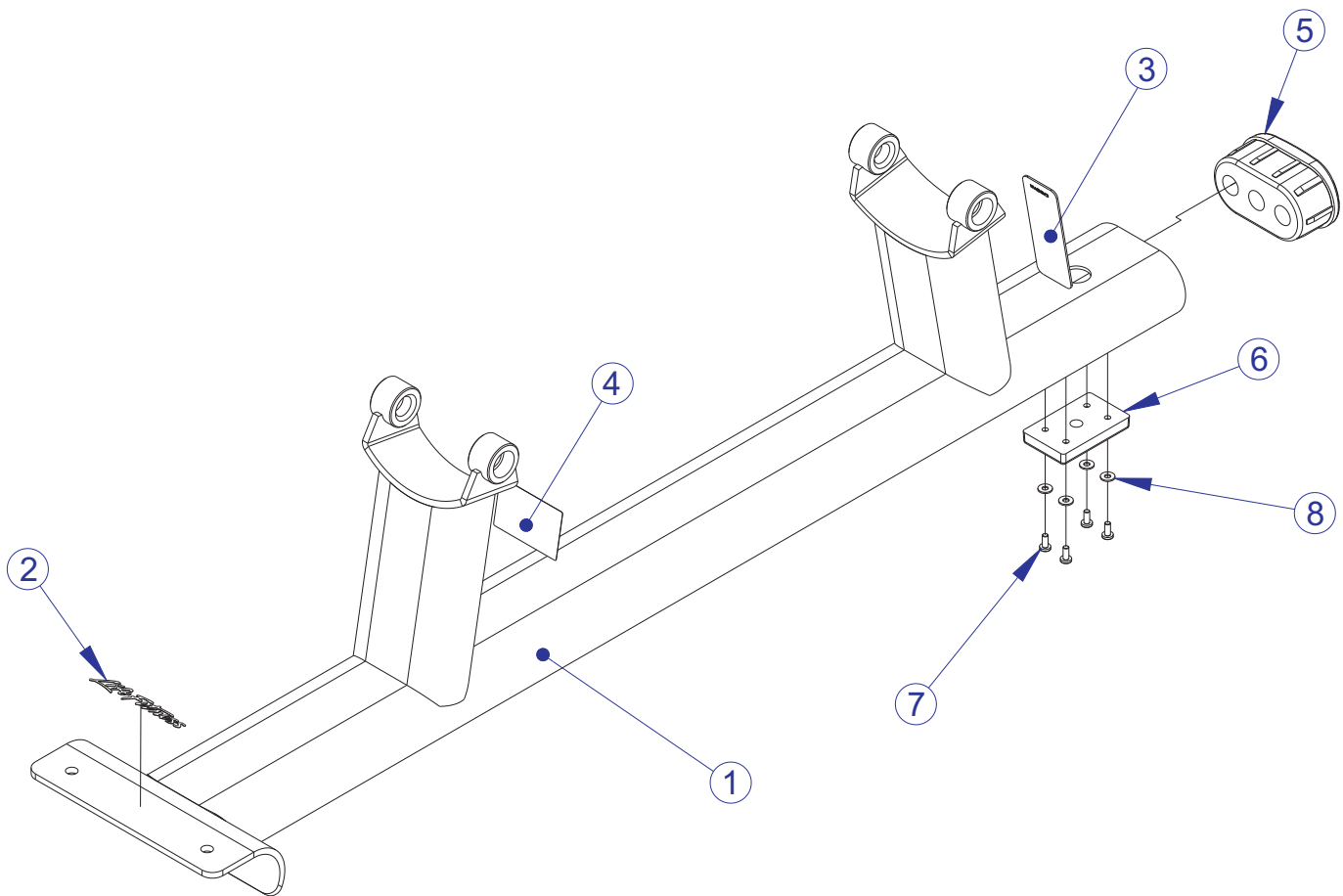
SEE PAGE 7 FOR LEGEND

SADB SIGNATURE ADJUSTABLE DECLINE BENCH BACK ASSEMBLY LEGEND



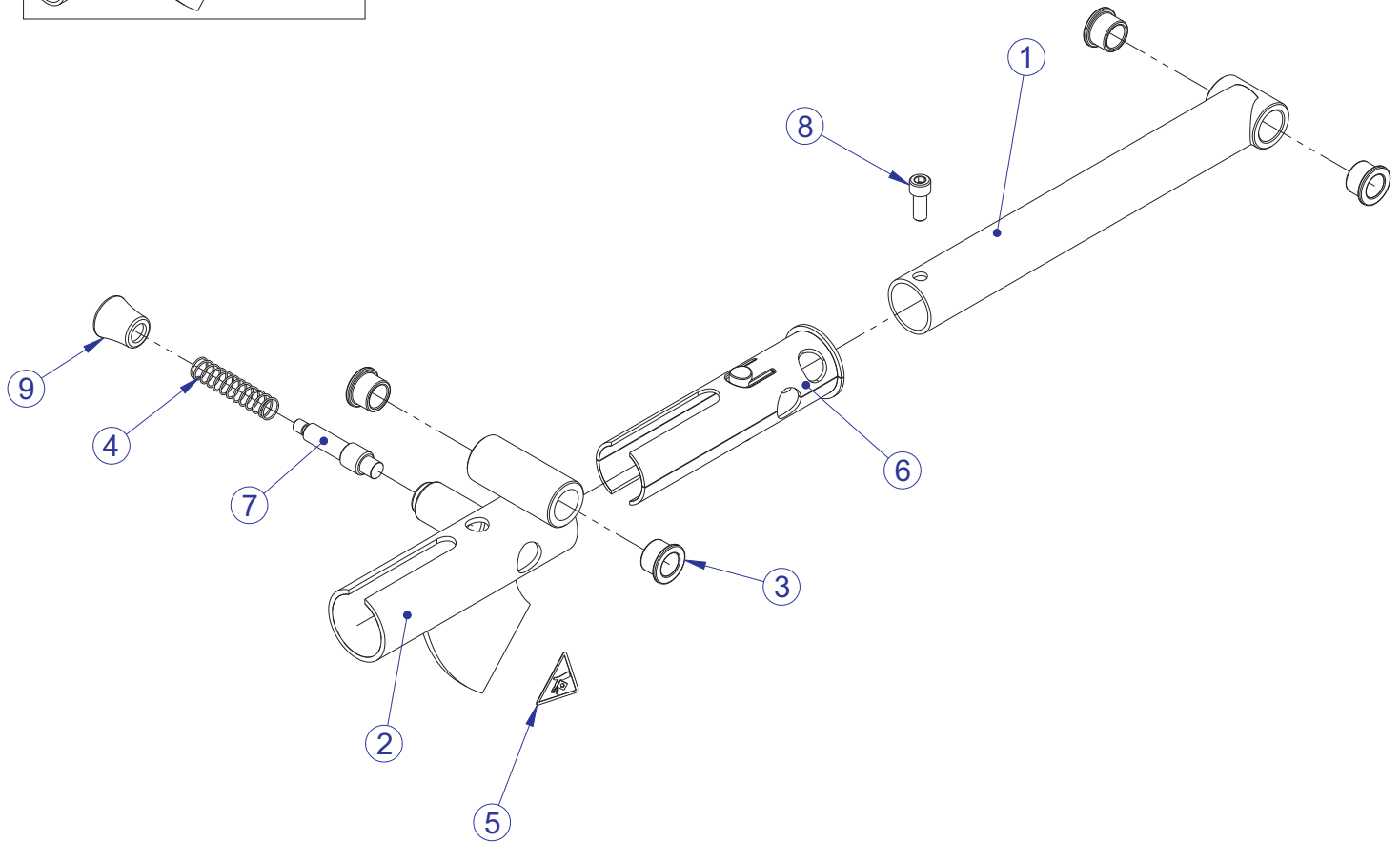
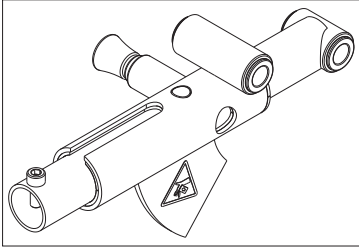
ITEM NO.	QTY.	PART NO.	DESCRIPTION
1	1	82373XX	WLDMT, SADB, BACK FLOV
2	4	3114407	WASHER, FLAT #10 SAE ST BZ
3	2	7800401	CAP; LRG FLOV END
4	1	7810801	PAD, RUBBER FOOT, 10-0101-006, BNR
5	4	3239102	SCREW, M5 X .8 X 12 PHL PAN TT ST BZ
6	2	7662901	CAP, GRIP 1.25 OD
7	1	7662801	RING, GRIP 1.25 OD
8	6	3247701	M4 X 0.7 X 3 HZS NO CUP ST BO
9	2	3104901	BEARING, FLG .75 ID X 1.00 OD
10	2	3235801	GRIP, 1.25 OD X .125 WALL OPEN END
11	4	7357901	COLLAR, SHAFT 1.53 ID ALUM

SADB SIGNATURE ADJUSTABLE DECLINE BENCH BASE ASSEMBLY - 82377XX



ITEM NO.	QTY.	PART NO.	DESCRIPTION
1	1	82377XX	PTD ASSY, SADB, BASE
2	1	8106101	LABEL LIFE FIT 13/16 X 4-3/8" SG, 10-0101-016, BNR
3	1	7002401	LABEL; V WARNING 4.5 X 1.625
4	1	8106801	LABEL, SERIAL NUMBER, LARGE, 10-0123-001, BNR
5	1	7800401	CAP; LRG FLOV END
6	1	7810801	PAD, RUBBER FOOT, 10-0101-006, BNR
7	4	3239102	SCREW, M5 X .8 X 12 PHL PAN TT ST BZ
8	4	3114407	WASHER, FLAT #10 SAE ST BZ

SADB SIGNATURE ADJUSTABLE DECLINE BENCH SEAT ADJUST ASSEMBLY - 82463XX



ITEM NO.	QTY.	PART NO.	DESCRIPTION
1	1	82397XX	WLDMT, SADB, SELECTOR TUBE
2	1	82463XX	PTD ASSY, SADB, SEAT ADJ
3	4	3104901	BEARING, FLG .75 ID X 1.00 OD
4	1	7351501	SPRING; PULL PIN LARGE
5	2	8039501	LABEL, WARNING, TRIANGLE, 10-0099-067, BNR
6	2	8087201	BUSHING, SLIP TUBE, PLASTIC, 55.3MM OD X 45.2MM ID, BNR
7	1	7351302	PIN, PULL X 3.375
8	1	3251702	M10 X 1.5 25 HXS SOC CS ST ZN
9	1	7351401	KNOB, TULIP STYLE

SADB SIGNATURE ADJUSTABLE DECLINE BENCH IMAGE

