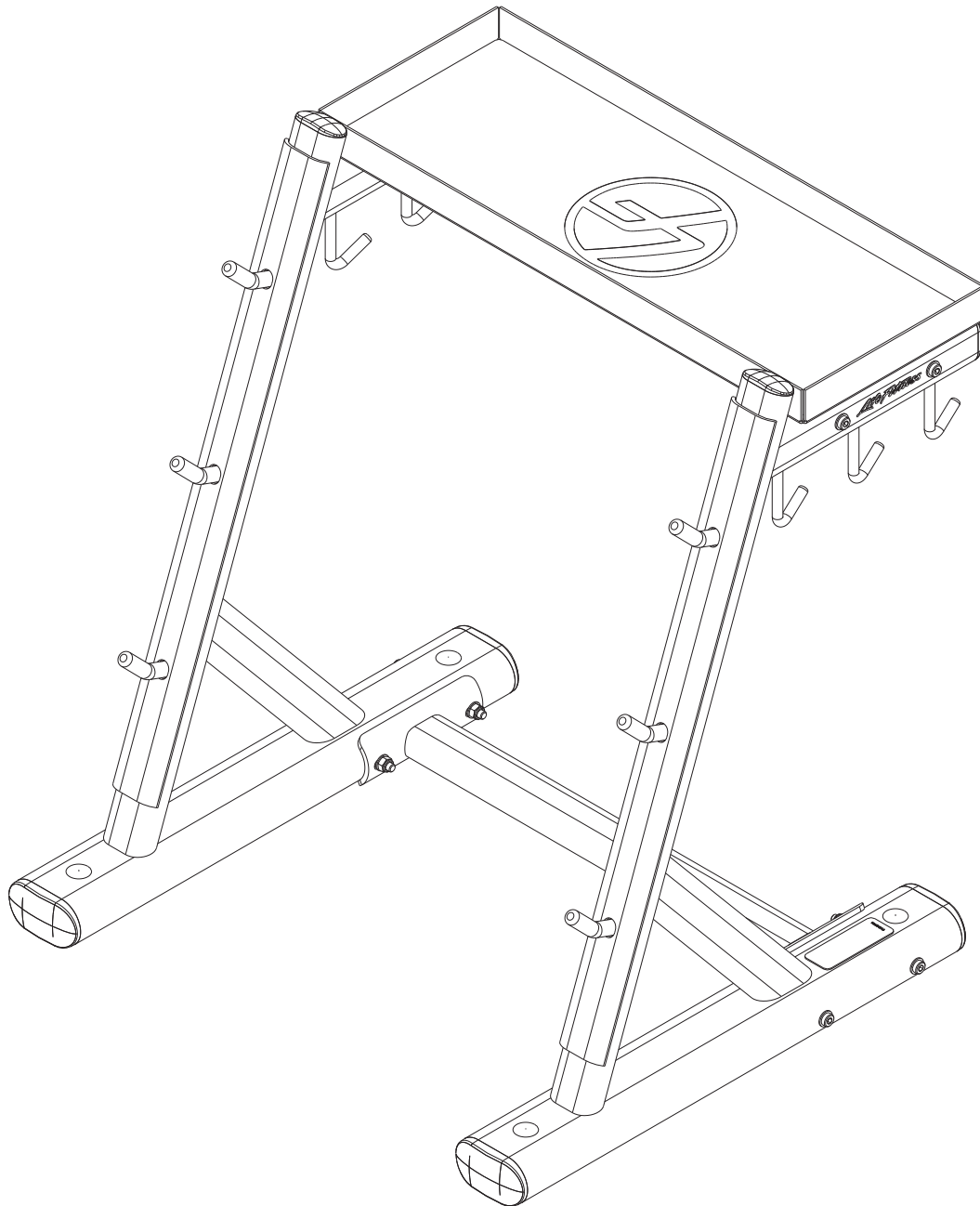




SIGNATURE SERIES  
SHR  
SIGNATURE HANDLE RACK



Customer Support Services  
**PARTS LIST**

# SHR SIGNATURE HANDLE RACK CONTENTS

---

	PAGE
COMPONENT ASSEMBLY	3
COMPONENT ASSEMBLY LEGEND	4
RIGHT SIDE FRAME ASSEMBLY	5
RIGHT SIDE FRAME ASSEMBLY LEGEND	6
LEFT SIDE FRAME ASSEMBLY	7
LEFT SIDE FRAME ASSEMBLY LEGEND	8
IMAGE	9

---

NOTE: SUBSTITUTE PART NUMBERS ENDING WITH 'XX' WITH THE REQUIRED COLOR CODES.

## FRAME

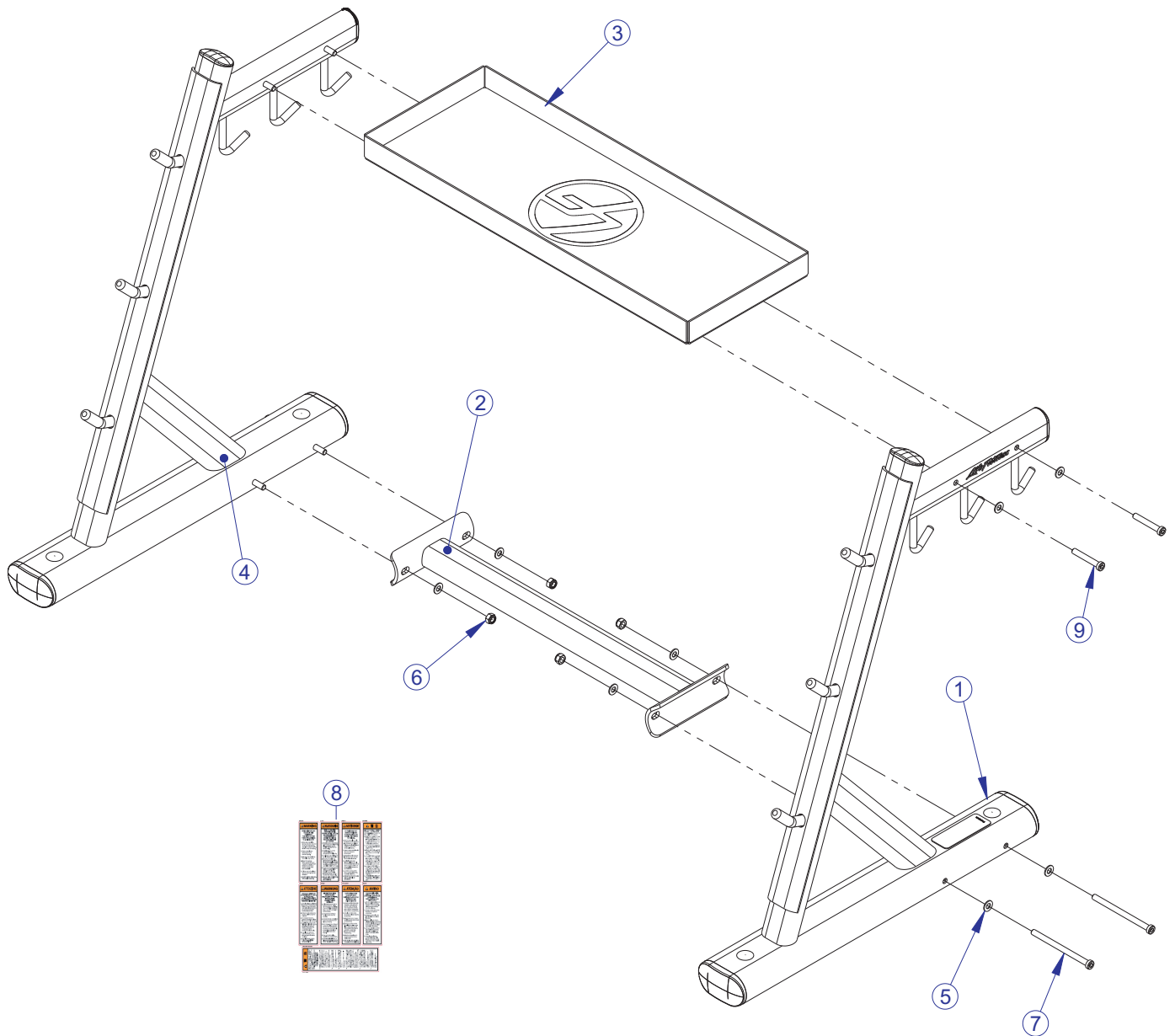
01 = WHITE  
02 = PLATINUM  
03 = BLACK

## PADS

01 = BLACK  
99 = CUSTOM

# SHR SIGNATURE HANDLE RACK COMPONENT ASSEMBLY

---



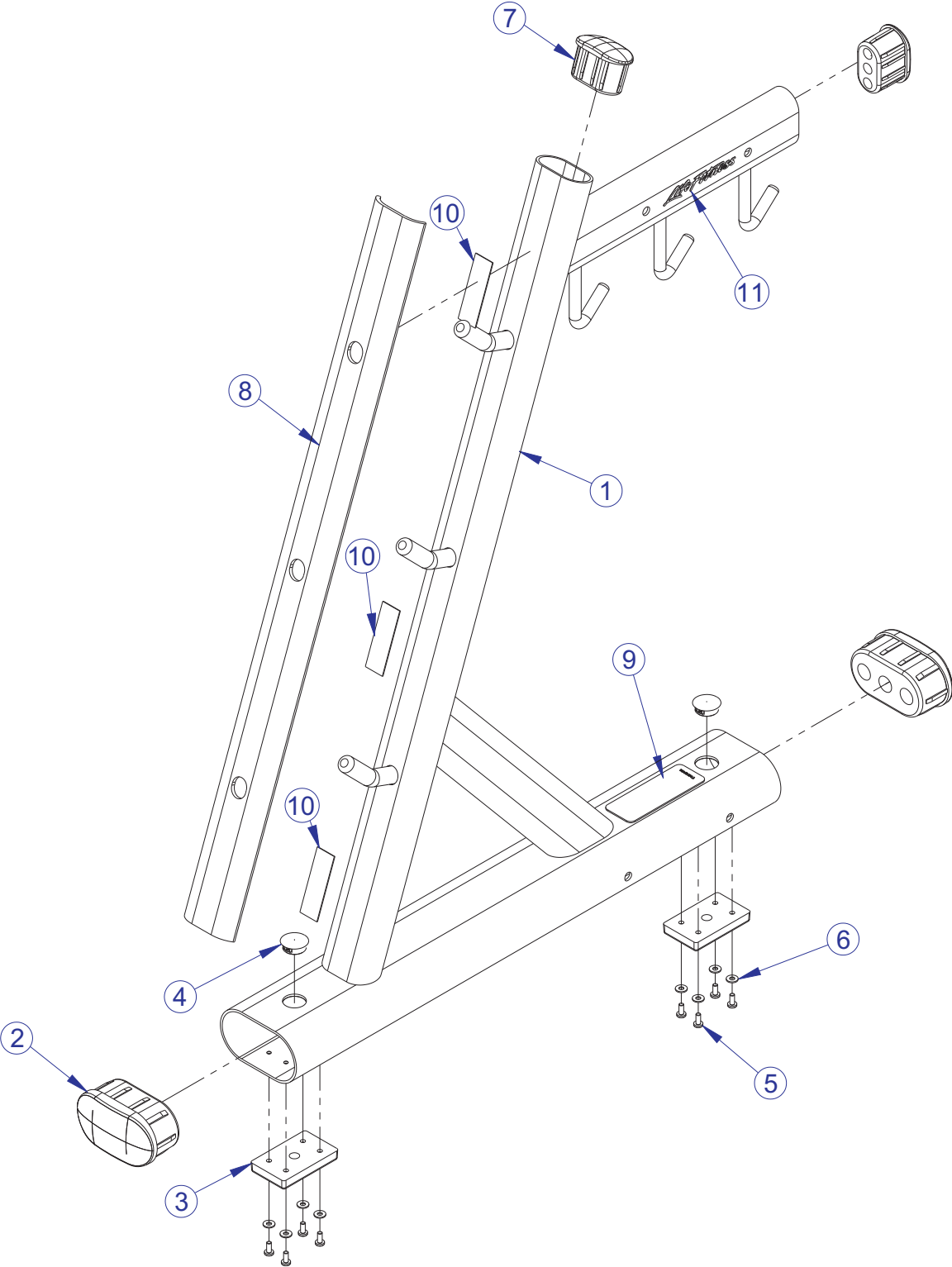
SEE PAGE 4 FOR LEGEND

# SHR SIGNATURE HANDLE RACK COMPONENT ASSEMBLY LEGEND

---

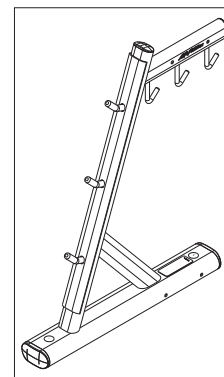
ITEM NO.	QTY.	PART NO.	DESCRIPTION
1	1	79388xx	PTD ASSY, SHR, SIDE FRAME RT
2	1	81709xx	PTD ASSY, SHR, SIDE FRAME, LEFT
3	1	79395xx	WLDMT, SHR/SBBR, BRACE
4	1	79396xx	HANDLE TROUGH, SHR
5	8	3242002	NUT, M10 X 1.5 HEX NYLOCK
6	16	3102514	WASHER, FLAT 3/8" SAE ST ZN
7	4	3256222	SCREW, M10 X1.5 140MM
8	1	8137801	DECAL, WARNING, VERT, MULTI-LANG SHEET
9	4	3256210	SCREW, M10 X1.5 65MM

# SHR SIGNATURE HANDLE RACK RIGHT SIDE FRAME ASSEMBLY - 79388XX



SEE PAGE 6 FOR LEGEND

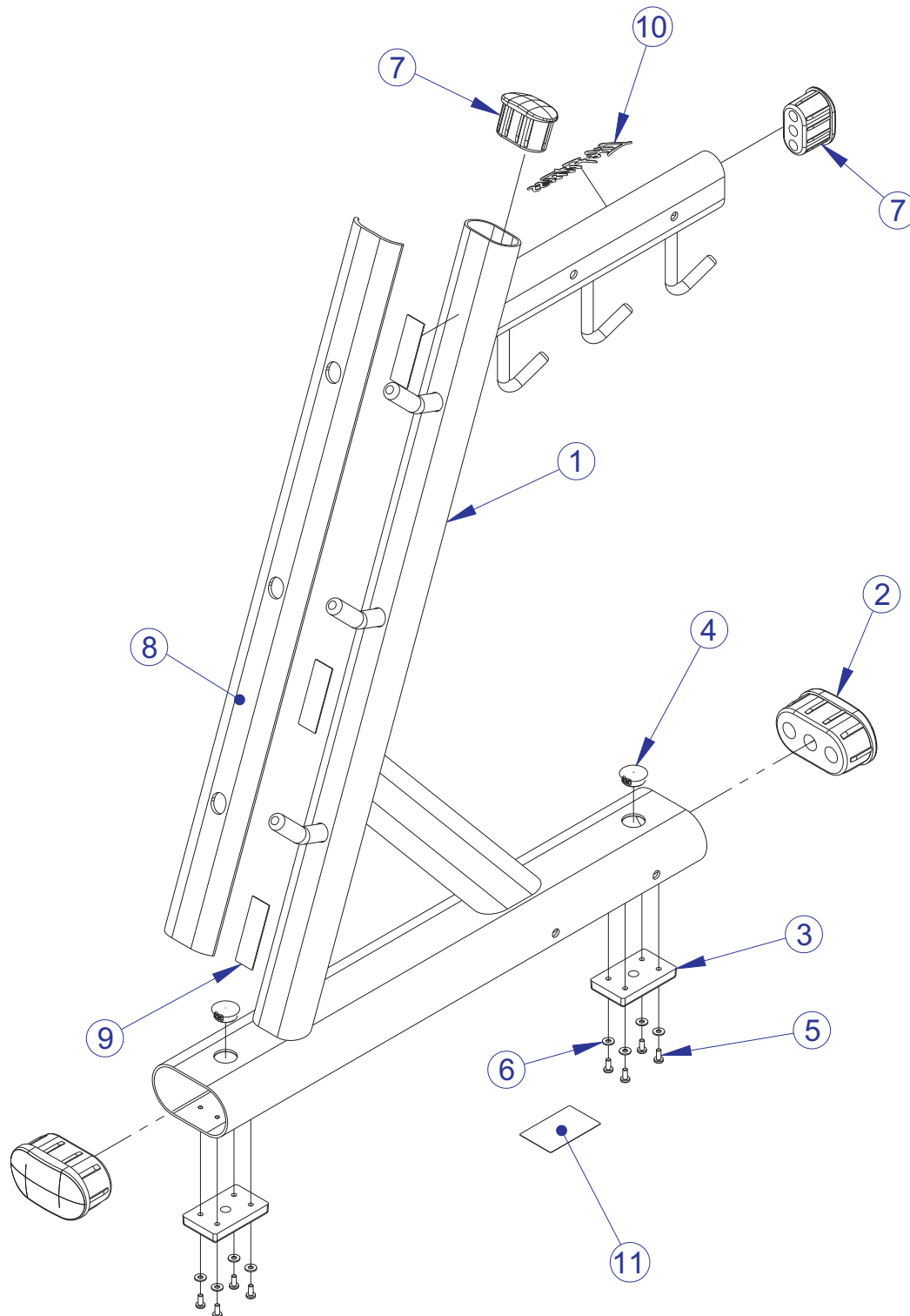
# SHR SIGNATURE HANDLE RACK RIGHT SIDE FRAME ASSEMBLY LEGEND



ITEM NO.	QTY.	PART NO.	DESCRIPTION
1	1	79388xx	PTD ASSY, SHR, SIDE FRAME RT
2	2	7800401	CAP, LRG FLOV END
3	2	7810801	PAD, RUBBER FOOT
4	2	3237403	PLUG, 1" HOLE
5	8	3239102	SCREW, M5X12 PHL PAN TT ST BZ
6	8	3114407	WASHER, SAE #10
7	2	7800501	CAP, SML FLOV END
8	1	8147401	GUARD; PAINT; SBBR / SHR
9	1	7002401	LABEL, V WARNING 4.5 X 1.625
10	3	8171701	TAPE, DOUBLE SIDED, SHR, SBBR
11	1	8106101	LABEL, LIFE FIT 13/16 X 4-3/8" SG

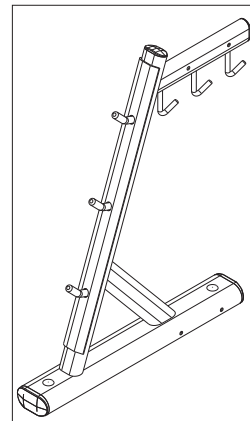
# SHR SIGNATURE HANDLE RACK LEFT SIDE FRAME ASSEMBLY - 81709XX

---



SEE PAGE 8 FOR LEGEND

# SHR SIGNATURE HANDLE RACK LEFT SIDE FRAME ASSEMBLY LEGEND



ITEM NO.	QTY.	PART NO.	DESCRIPTION
1	1	81709xx	PTD ASSY, SHR, SIDE FRAME, LEFT
2	2	7800401	CAP, LRG FLOV END
3	2	7810801	PAD, RUBBER FOOT
4	2	3237403	PLUG, 1" HOLE
5	8	3239102	SCREW, M5X12 PHL PAN TT ST BZ
6	8	3114407	WASHER, SAE #10
7	2	7800501	CAP, SML FLOV END
8	1	8147401	GUARD; PAINT; SBBR / SHR
9	3	8171701	TAPE, DOUBLE SIDED, SHR, SBBR
10	1	8106101	LABEL, LIFE FIT 13/16 X 4-3/8" SG
11	1	8106801	LABEL, SERIAL NUMBER, LARGE



# SHR SIGNATURE HANDLE RACK IMAGE

---

