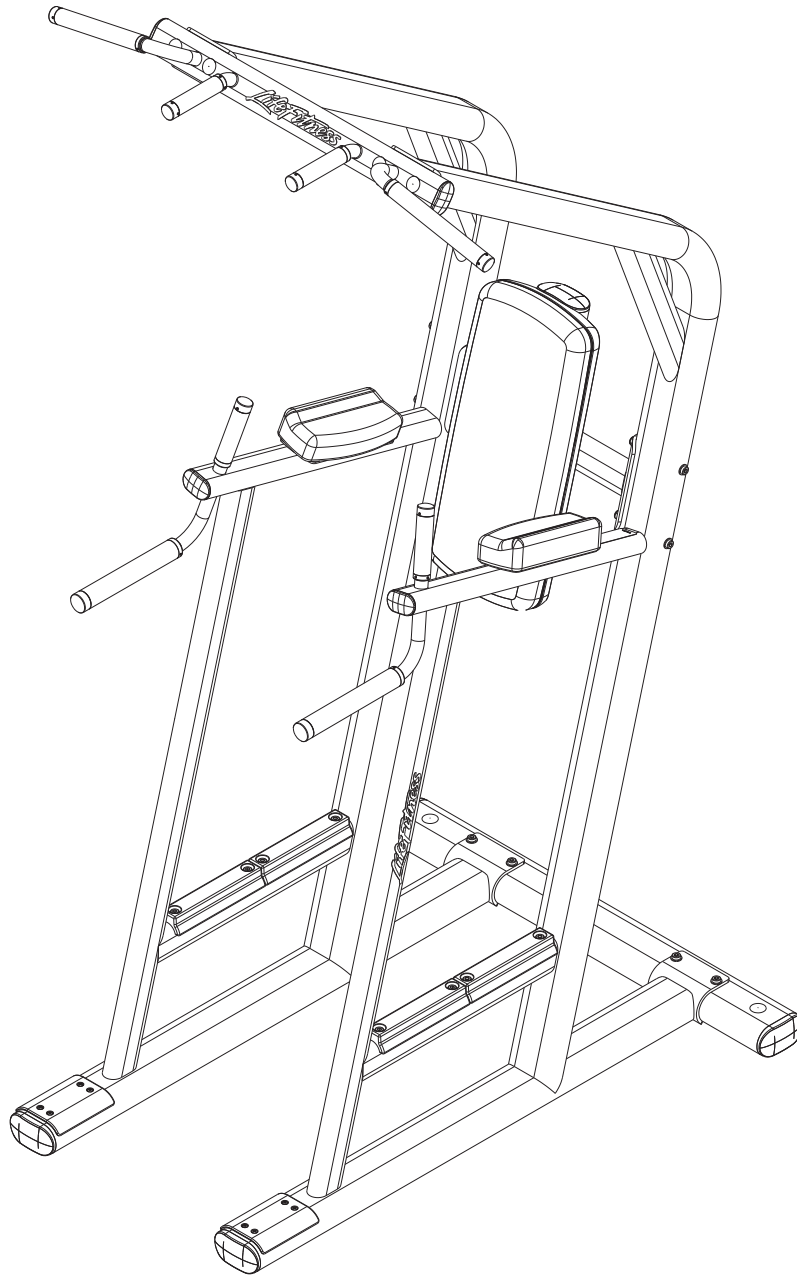




SIGNATURE SERIES
SCDLR
SIGNATURE CHIN DIP / LEG RAISE



Customer Support Services
PARTS LIST

SCDLR SIGNATURE CHIN DIP / LEG RAISE CONTENTS

	PAGE
COMPONENT ASSEMBLY	3
COMPONENT ASSEMBLY LEGEND	4
FOOT BRACE ASSEMBLY	5
BACK SUPPORT ASSEMBLY	6
LEFT UPRIGHT ASSEMBLY	7
LEFT UPRIGHT ASSEMBLY LEGEND	8
RIGHT UPRIGHT ASSEMBLY	9
RIGHT UPRIGHT ASSEMBLY ASSEMBLY	10
IMAGE	11

NOTE: SUBSTITUTE PART NUMBERS ENDING WITH 'XX' WITH THE REQUIRED COLOR CODES.

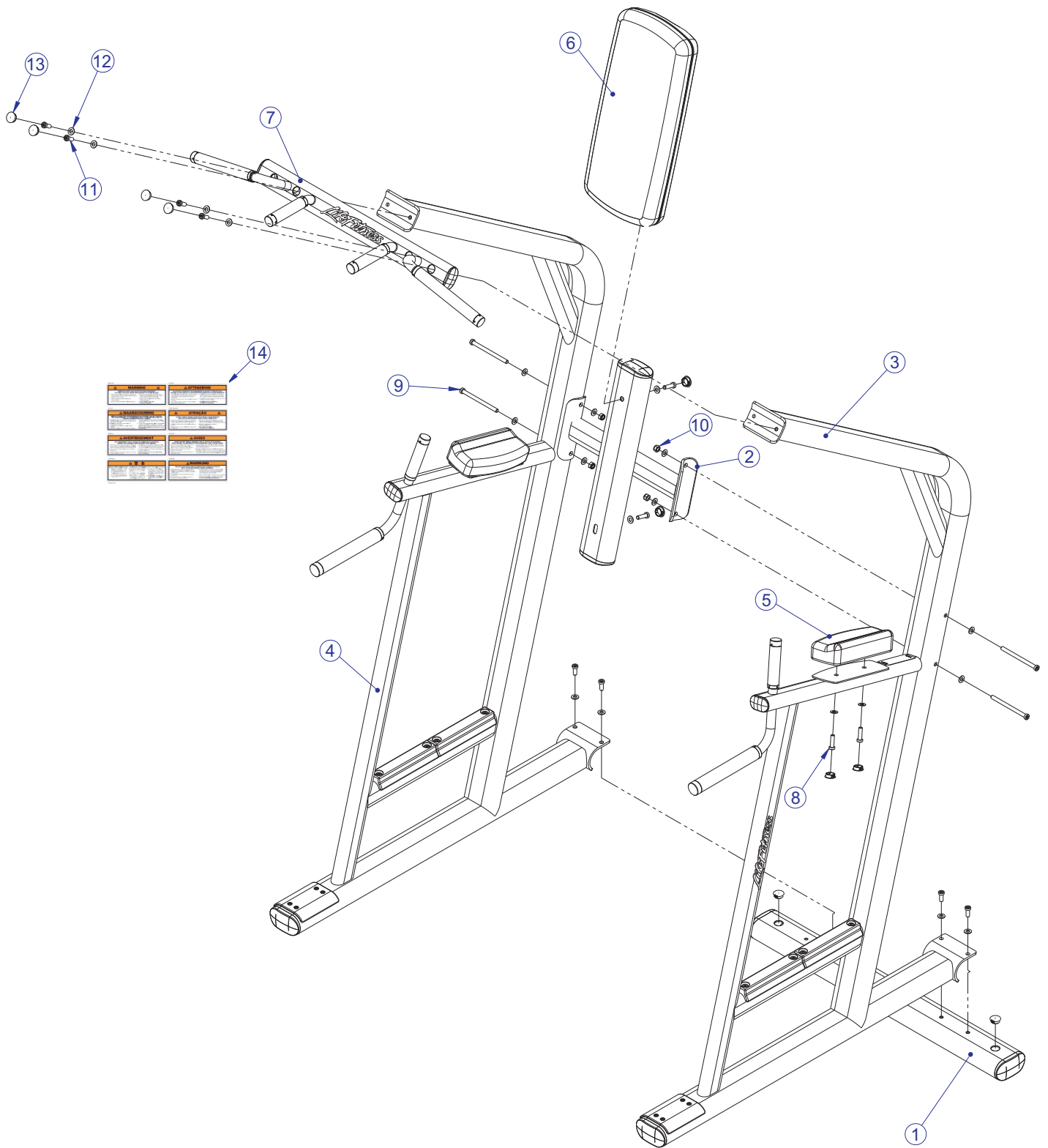
FRAME

01 = WHITE
02 = PLATINUM
03 = BLACK

PADS

01 = BLACK
99 = CUSTOM

SCDLR SIGNATURE CHIN DIP / LEG RAISE COMPONENT ASSEMBLY

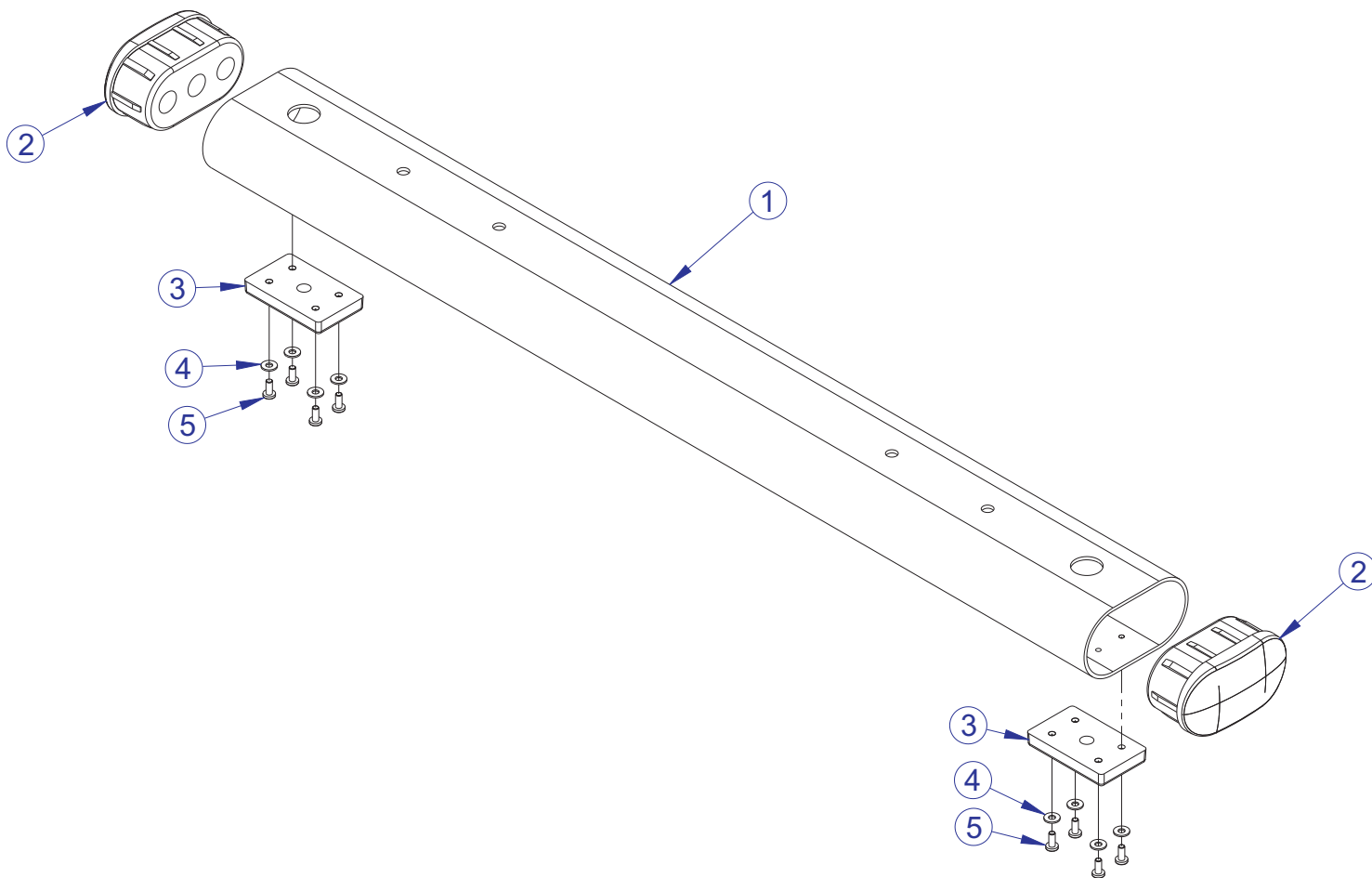


SEE PAGE 4 FOR LEGEND

SCDLR SIGNATURE CHIN DIP / LEG RAISE COMPONENT ASSEMBLY LEGEND

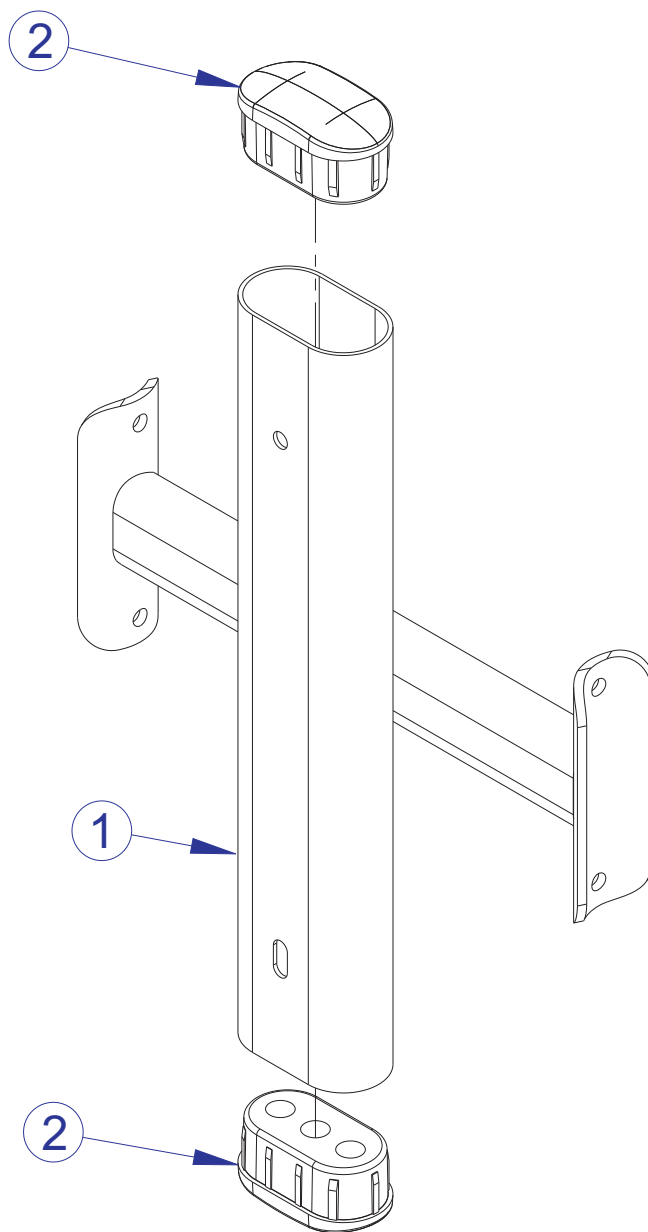
ITEM NO.	QTY.	PART NO.	DESCRIPTION
1	1	78909XX	PTD ASSY, SCDLR, FOOT BRACE
2	1	78908XX	PTD ASSY, SCDLR, BACK SUPPORT
3	1	78907XX	PTD ASSY, SCDLR, LEFT UPRIGHT
4	1	78906XX	PTD ASSY, SCDLR, RIGHT UPRIGHT
5	2	78903XX	PAD, ARM REST
6	1	78140XX	PAD, 24 X 11
7	1	78905XX	PTD ASSY, SCDLR, CHIN SUPPORT
8	6	3256204	SCREW, M10 X 1.5 35MM ZN
9	4	3256221	SCREW, M10 X 1.5 135MM ZN
10	4	3242002	NUT, M10 X 1.5 HEX NYLOCK
11	8	3256202	SCREW, M10 X 1.5 25MM ZN
12	22	3102514	WASHER, FLAT 3/8" SAE ST ZN
13	12	3237403	PLUG, 1" HOLE
14	1	8137701	DECAL, WARNING, HORIZ, MULTI-LANG SHEET

SCDLR SIGNATURE CHIN DIP / LEG RAISE FOOT BRACE ASSEMBLY - 78909XX



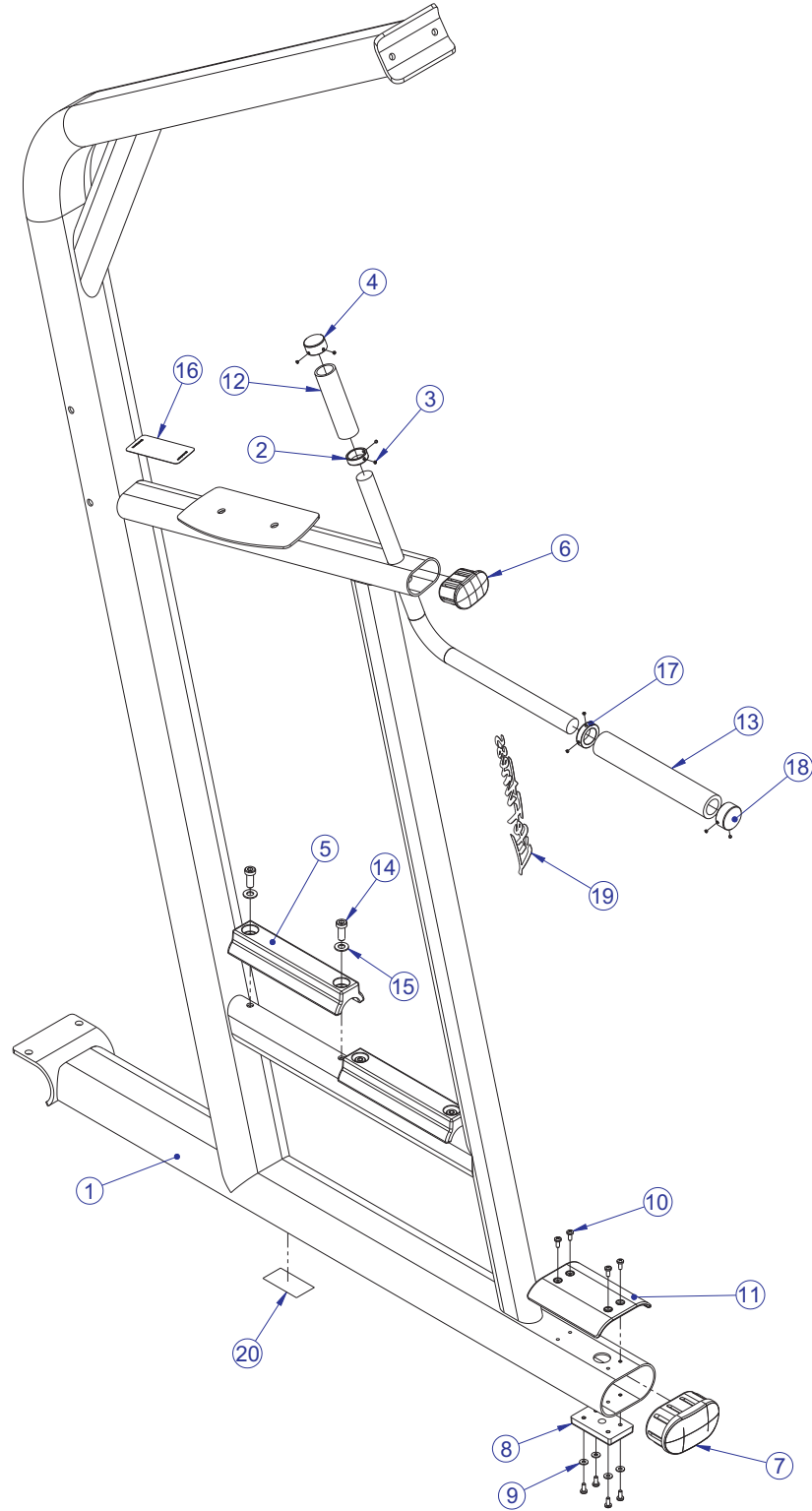
ITEM NO.	QTY.	PART NO.	DESCRIPTION
1	1	78786XX	TUBE, SCDLR, 2.50 X 4.49 FLOV
2	2	7800401	CAP, LRG FLOV END
3	2	7810801	PAD, RUBBER FOOT
4	8	3114407	WASHER, SAE #10
5	8	3239102	SCREW, M5X12 PHL PAN TT ST BZ

SCDLR SIGNATURE CHIN DIP / LEG RAISE BACK SUPPORT ASSEMBLY - 78908XX



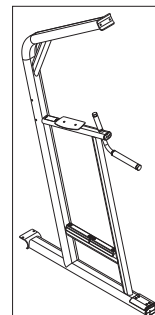
ITEM NO.	QTY.	PART NO.	DESCRIPTION
1	1	78898XX	WLDMT, SCDLR BACK SUPPORT
2	2	7800401	CAP, LRG FLOV END

SCDLR SIGNATURE CHIN DIP / LEG RAISE LEFT UPRIGHT ASSEMBLY - 78907XX



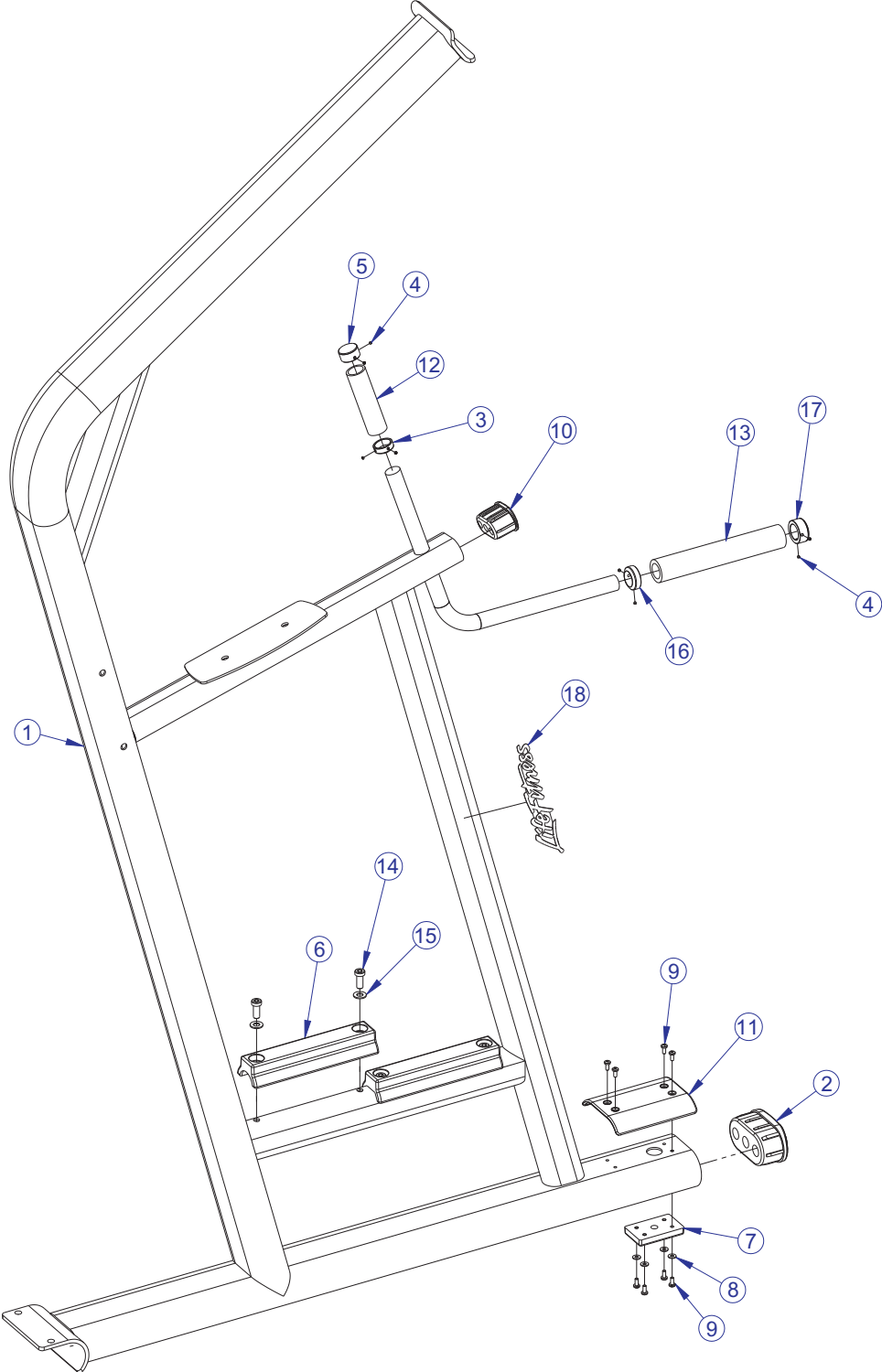
SEE PAGE 8 FOR LEGEND

SCDLR SIGNATURE CHIN DIP / LEG RAISE LEFT UPRIGHT ASSEMBLY LEGEND



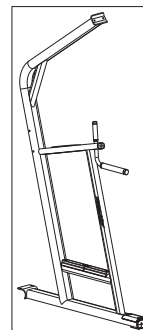
ITEM NO.	QTY.	PART NO.	DESCRIPTION
1	1	78907XX	PTD ASSY, LEFT UPRIGHT
2	1	7662801	RING, GRIP 1.25 OD
3	8	3247701	M4 X .7 HXS NO CUP ST BO
4	1	7662901	CAP, GRIP 1.25 OD
5	2	7878702	GUARD, BAR REST
6	1	7800501	CAP, SML FLOV END
7	1	7800401	CAP, LRG FLOV END
8	1	7810801	PAD, RUBBER FOOT
9	4	3114407	WASHER, SAE #10
10	8	3239102	SCREW, M5X12 PHL PAN TT ST BZ
11	1	7821701	GUARD, SHORT PAINT
12	1	3235801	GRIP, 1.25 OD X .125 WALL OPEN END
13	1	3235802	GRIP, 1.50 OD X .25 WALL OPEN END
14	4	3256202	SCREW, M10 X1.5 25MM
15	4	3102514	WASHER, FLAT 3/8" SAE ST ZN
16	1	7002501	LABEL, H WARNING 4.5 X 1.625
17	1	7662802	RING, GRIP 1.50 OD
18	1	7662902	CAP, GRIP 1.50 OD
19	1	7865201	LABEL, LIFE FITNESS LOGO
20	1	8106801	LABEL, SERIAL NUMBER, LARGE

SCDLR SIGNATURE CHIN DIP / LEG RAISE RIGHT UPRIGHT ASSEMBLY - 78906XX



SEE PAGE 10 FOR LEGEND

SCDLR SIGNATURE CHIN DIP / LEG RAISE RIGHT UPRIGHT ASSEMBLY LEGEND



ITEM NO.	QTY.	PART NO.	DESCRIPTION
1	1	78906XX	PTD ASSY, RIGHT UPRIGHT
2	1	7800401	CAP, LRG FLOV END
3	1	7662801	RING, GRIP 1.25 OD
4	8	3247701	M4 X .7 HXS NO CUP ST BO
5	1	7662901	CAP, GRIP 1.25 OD
6	2	7878702	GUARD, BAR REST
7	1	7810801	PAD, RUBBER FOOT
8	4	3114407	WASHER, SAE #10
9	8	3239102	SCREW, M5X12 PHL PAN TT ST BZ
10	1	7800501	CAP, SML FLOV END
11	1	7821701	GUARD, SHORT PAINT
12	1	3235801	GRIP, 1.25 OD X .125 WALL OPEN END
13	1	3235802	GRIP, 1.50 OD X .25 WALL OPEN END
14	4	3256202	SCREW, M10 X1.5 25MM
15	4	3102514	WASHER, FLAT 3/8" SAE ST ZN
16	1	7662802	RING, GRIP 1.50 OD
17	1	7662902	CAP, GRIP 1.50 OD
18	1	7865201	LABEL, LIFE FITNESS LOGO

SCDLR SIGNATURE CHIN DIP / LEG RAISE
IMAGE

