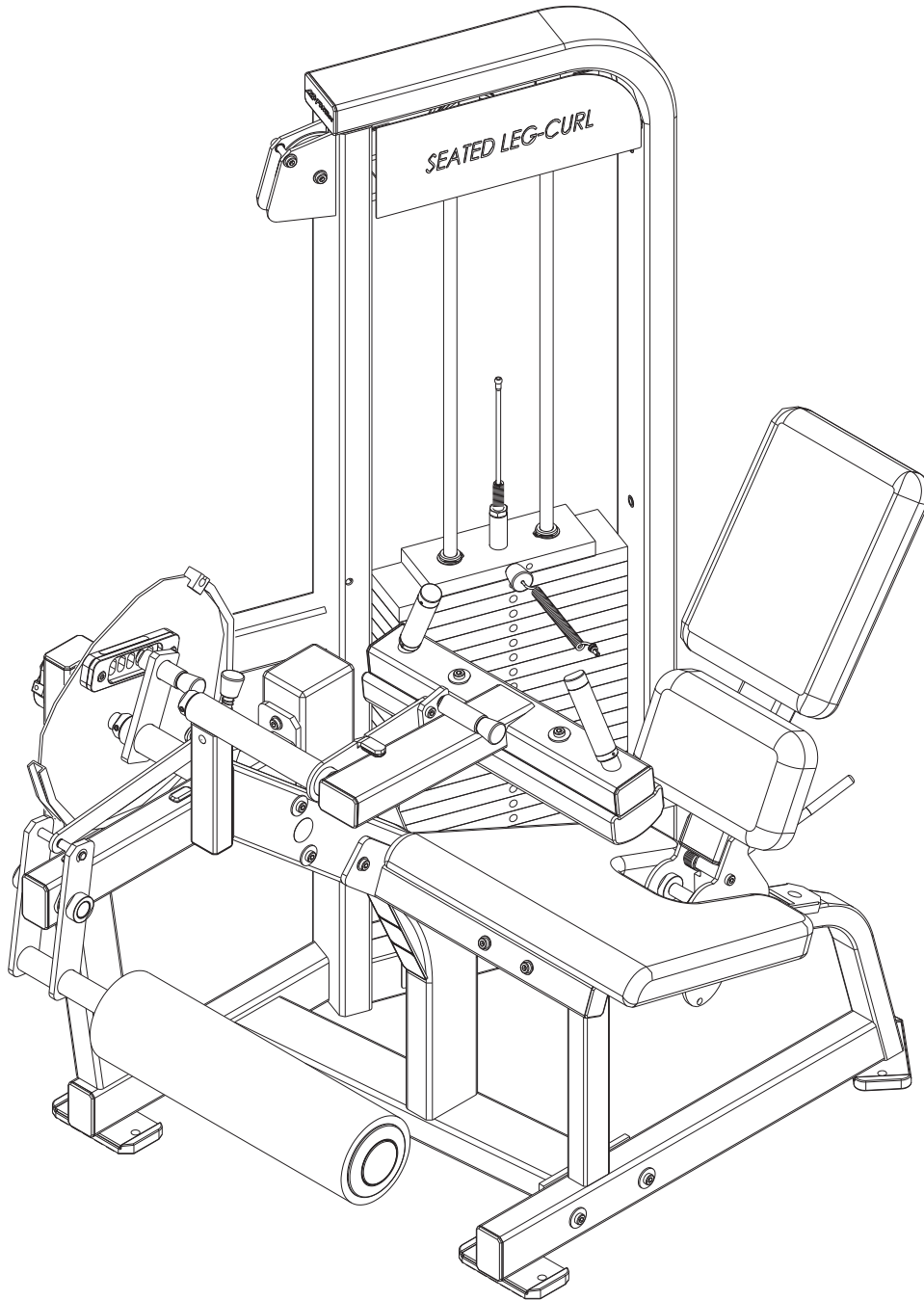




PRO 2 SERIES
PSSLCSE SEATED LEG CURL

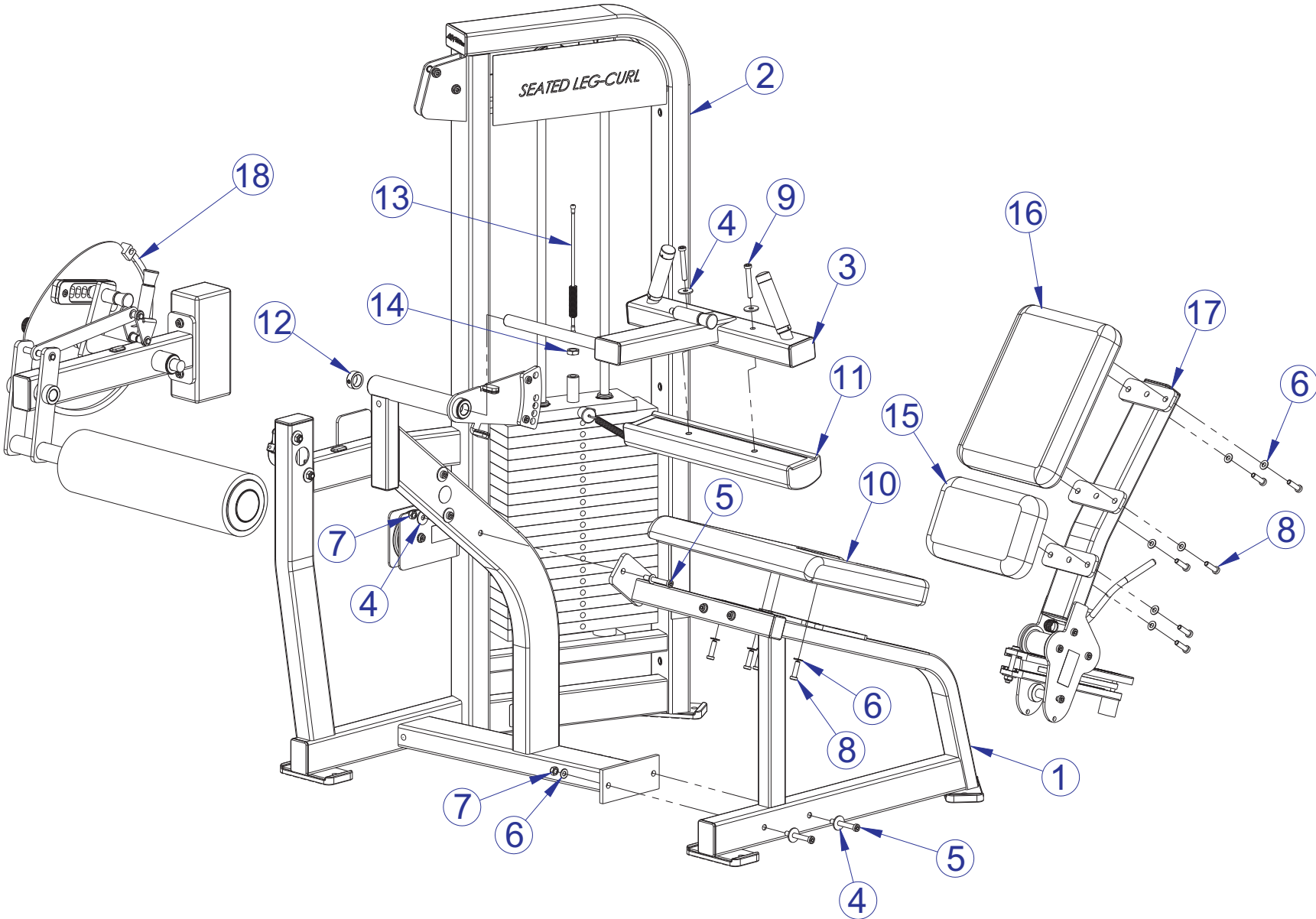


Customer Support Services
PARTS MANUAL

PSSLCSE SEATED LEG CURL CONTENTS

	Page
COMPONENT ASSEMBLY	3
COMPONENT ASSEMBLY LEGEND	4
SIDE FRAME ASSEMBLY	5
SIDE FRAME ASSEMBLY LEGEND	6
SEAT FRAME ASSEMBLY	7
SEAT FRAME ASSEMBLY LEGEND	8
ROLLER SEAT ASSEMBLY	9
ROLLER SEAT ASSEMBLY LEGEND	10
WORK ARM ASSEMBLY	11
WORK ARM ASSEMBLY LEGEND	12
CAM ASSEMBLY	13
MOVEMENT ARM ASSEMBLY	14
MOVEMENT ARM ASSEMBLY LEGEND	15
FOUR BAR SHIFTER ASSEMBLY	16
THIGH HOLD DOWN ASSEMBLY	17
5LB INCREMENT WEIGHT ASSEMBLY	18
INCREMENT WEIGHT ASSEMBLY W/STRIKER	19
WEIGHT STACK (300LB)	20
REAR SHROUD KIT	21
OPTIONAL FULL SHROUD KIT	22
IMAGE	23

PSSLCSE SEATED LEG CURL COMPONENT ASSEMBLY

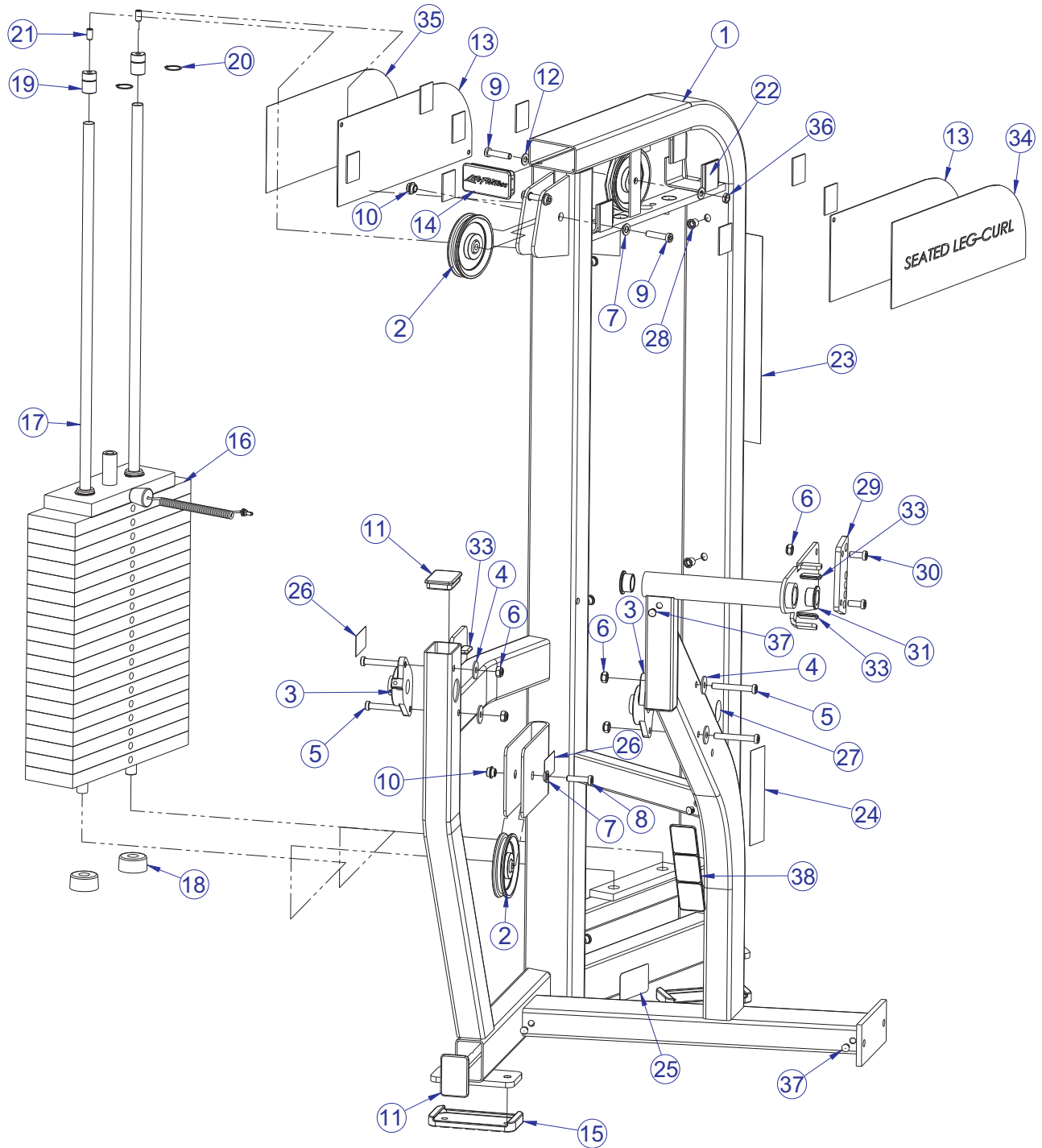


SEE PAGE 4 FOR LEGEND

PSSLCSE SEATED LEG CURL COMPONENT ASSEMBLY LEGEND

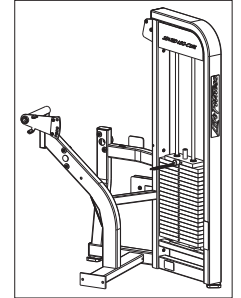
ITEM NO.	QTY.	PART NO.	DESCRIPTION
1	1	7579301	ASSY, PSSLC SEAT-FRAME
2	1	7579901	ASSY, PSSLC SIDE FRAME
3	1	7580501	ASSY, PSSLC THIGH HOLD-DOWN
4	5	3236602	WASHER, 3/8 ID X 1.25 OD SS
5	3	3236212	SCREW, M10 X1.5 75MM
6	13	3236601	WASHER, 3/8 SAE SS
7	3	3236801	NUT, M10 HEX NYLOCK SS
8	10	3236204	SCREW, M10 X1.5 35MM
9	2	3236211	SCREW, M10 X1.5 70MM
10	1	74591xx	PAD, SEAT 18-1/2 X 19-7/8
11	1	74707xx	PAD, KNEE
12	1	7435301	COLLAR, SHAFT 1.020 ID
13	1	7423714	CABLE, PSADC/SLC
14	1	3236902	NUT, M16 X 2 HEX JAM SS
15	1	73993xx	PAD. 7 X 11-1/4
16	1	74221xx	PAD, BACK 15 X 11-1/4
17	1	7387201	ASSY, PS-ST6 SEAT
18	1	PSSLC OMA	ASSY, MOVEMENT ARM

PSSLCSE SEATED LEG CURL SIDE FRAME ASSEMBLY - 7579901



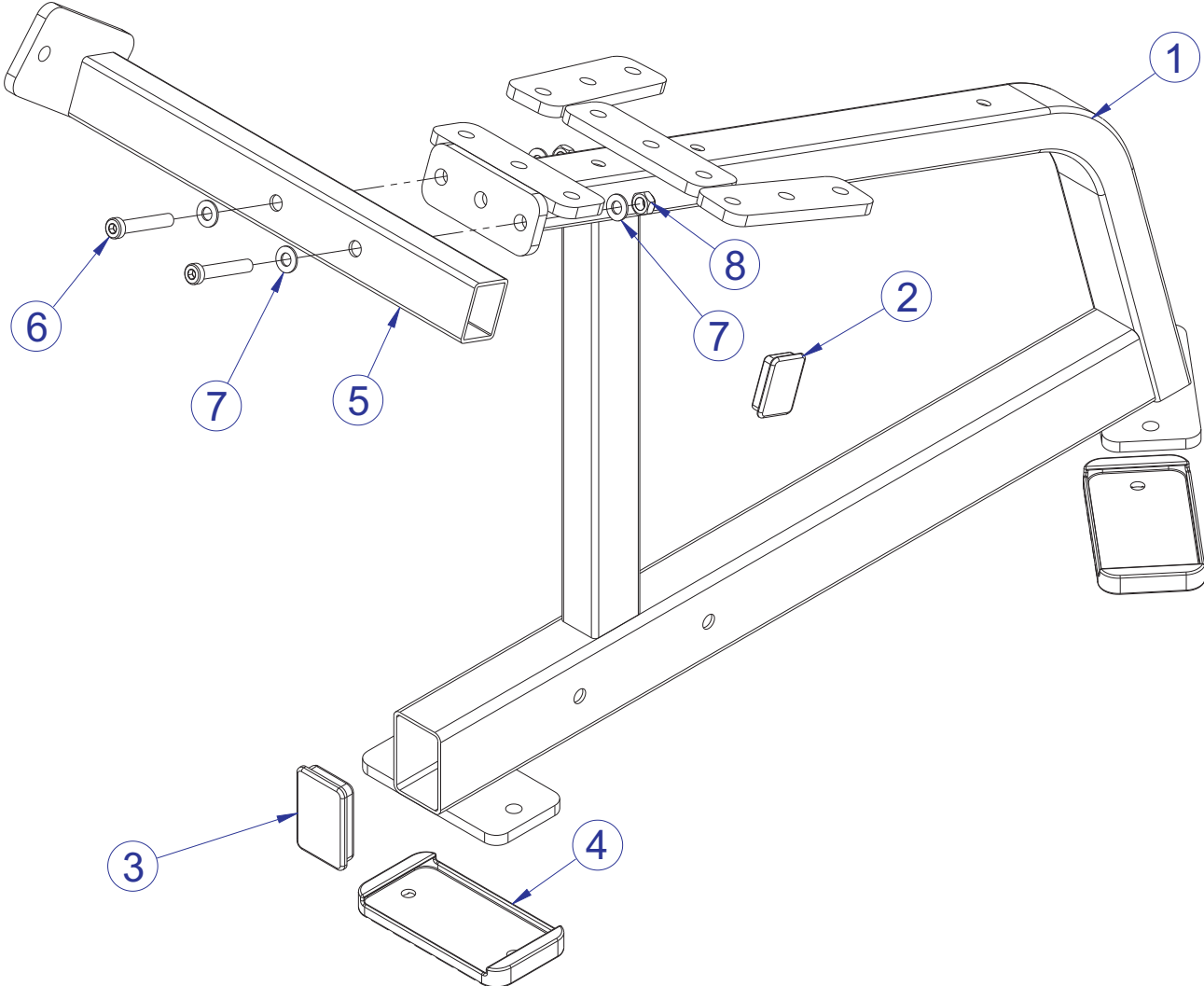
SEE PAGE 6 FOR LEGEND

PSSLCSE SEATED LEG CURL SIDE FRAME ASSEMBLY LEGEND



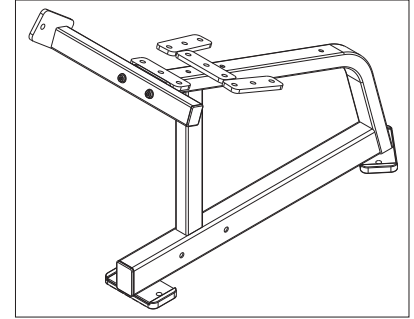
ITEM NO.	QTY.	PART NO.	DESCRIPTION
1	1	7580001	WLDMT, PSSLC-SIDE FRAME
2	3	3237801	PULLEY, 4.5" OD
3	2	3237701	ASSY, PILLOW BLOCK 4.88 X 2.75
4	4	3236602	WASHER, 3/8 ID X 1.25 OD SS
5	4	3236212	SCREW, M10 X1.5 75MM
6	6	3236801	NUT, M10 HEX NYLOCK SS
7	3	7348101	WASHER, SPACER
8	1	3236205	SCREW, M10 X1.5 40MM
9	3	3236206	SCREW, M10 X1.5 45MM
10	3	7335401	NUT, M10 X 1.5 SOCKET HEAD
11	2	7352301	CAP, END 2 X 3
12	2	3236601	WASHER, 3/8 SAE SS
13	2	7606602	COVER, STACK-PRO2 STD
14	1	7352401	CAP, END 2 X 4
15	2	7388201	FOOTPAD, PS RUBBER
16	1	7353501	ASSY, 300LB STACK
17	2	7328601	GUIDE ROD, .75 OD SOLID 48.38
18	2	7352101	CUSHION, WEIGHT STACK
19	2	7402301	RETAINER, GUIDEROD
20	2	3232421	RING, BRE .940, 5100-100 ST PP B
21	2	3240501	M10 X 1.5 HXS NO CUP ST BO
22	12	7544202	PAD, DUAL LOCK 250 1.5" X 2.0"
23	1	7348001	LABEL, LIFE FITNESS LOGO
24	1	7422004	LABEL, 2" ASTM WARN
25	1	7571301	LABEL, SERIAL NUMBER
26	2	7422003	LABEL, MOVING PARTS
27	1	7488701	LABEL, AXIS OF ROTATION
28	6	3238101	NUT, BLIND INSERT M10 X 1.5
29	1	7573601	PLATE, SLOTTED .375
30	2	3236202	SCREW, M10 X1.5 25MM
31	2	3104903	1.00" ID 1.25" OD BRONZ BUSHING
32	1	7352201	CAP, END 1-1/2 X 2
33	3	7570801	GUARD, PAINT 1.25"x.75"x.25"
34	1	7584001	LABEL, PSSLC PLACARD
35	1	7584101	LABEL, PSSLC LOGO PANEL
36	1	3236901	NUT, M10 X 1.5 JAM
37	8	3237401	PLUG, 7/16" HOLE
38	1	7590101	GUARD, PRO 2 PAINT

PSSLCSE SEATED LEG CURL SEAT FRAME ASSEMBLY - 7579301



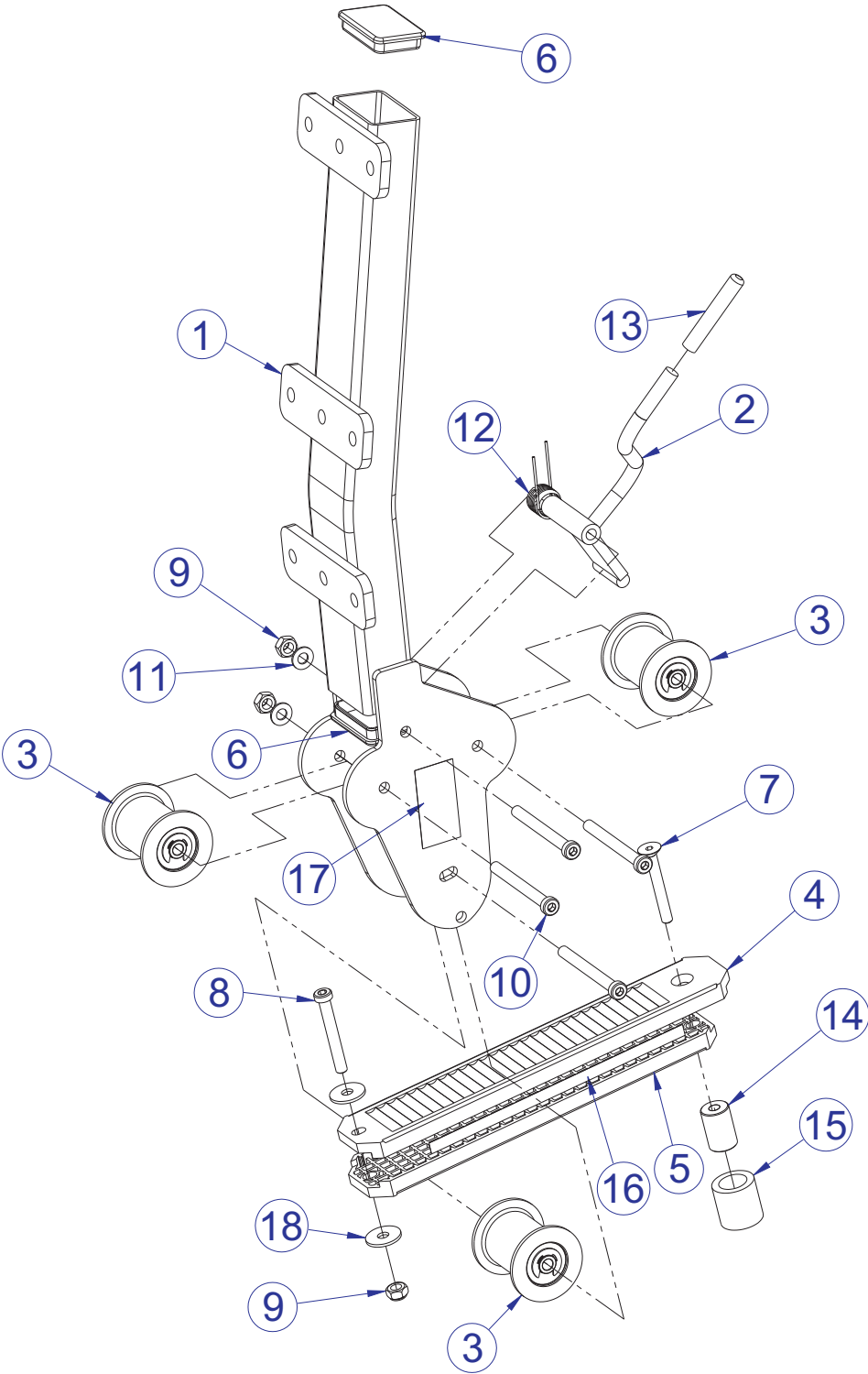
SEE PAGE 8 FOR LEGEND

PSSLCSE SEATED LEG CURL SEAT FRAME ASSEMBLY LEGEND



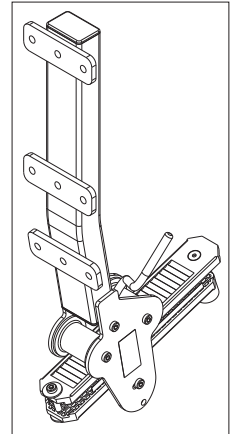
ITEM NO.	QTY.	PART NO.	DESCRIPTION
1	1	7656101	WLDMT, PSSLC SEAT FRAME
2	1	7352201	CAP, END 1-1/2 X 2
3	1	7352301	CAP, END 2 X 3
4	2	7388201	FOOTPAD, PS RUBBER
5	1	7656001	WLDMT, PSSLC SEAT BRACE
6	2	3236209	SCREW, M10 X1.5 60MM
7	4	3236601	WASHER, 3/8 SAE SS
8	2	3236801	NUT, M10 HEX NYLOCK SS

PSSLCSE SEATED LEG CURL ROLLER SEAT ASSEMBLY - 7387201



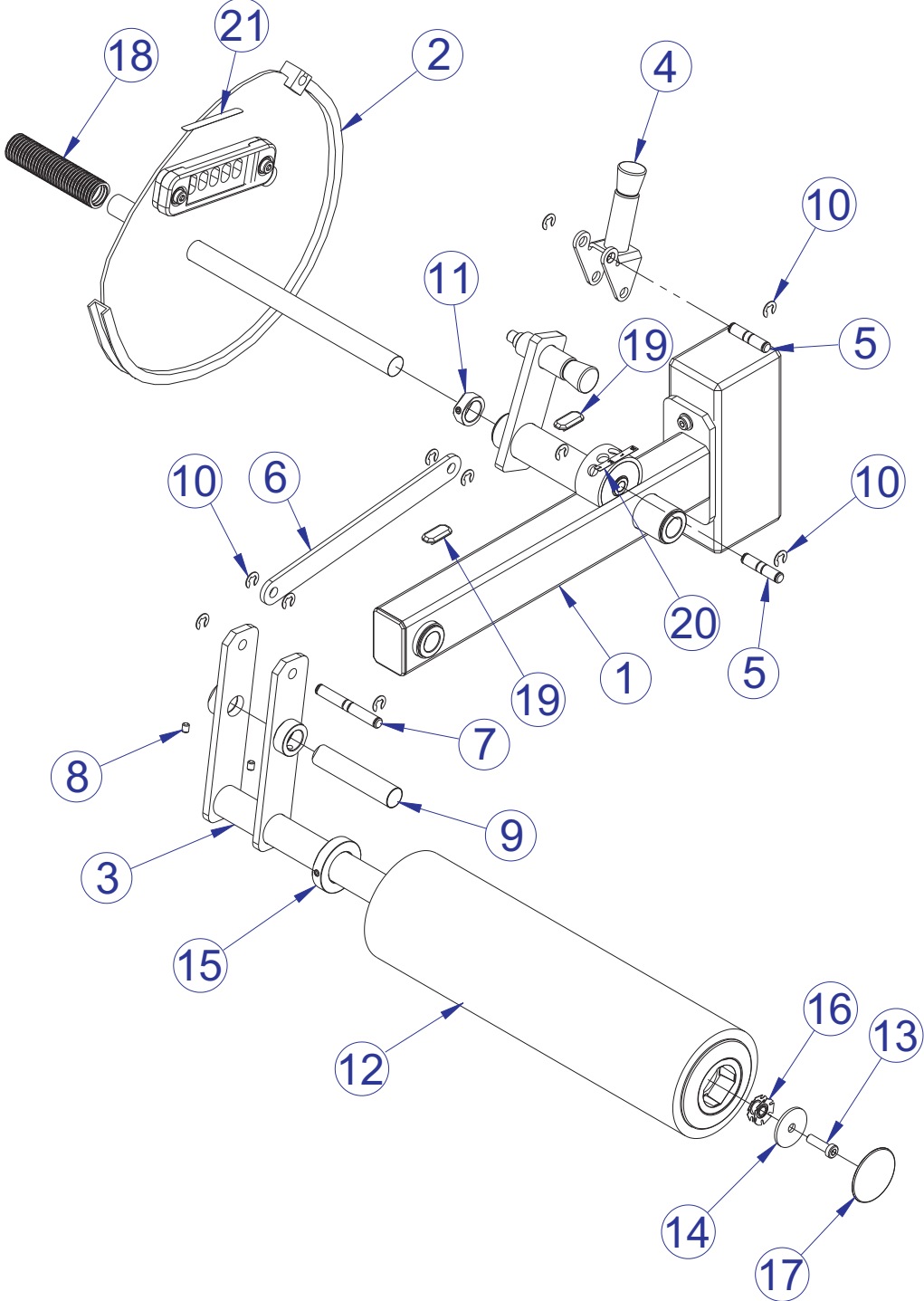
SEE PAGE 10 FOR LEGEND

PSSLCSE SEATED LEG CURL ROLLER SEAT ASSEMBLY LEGEND



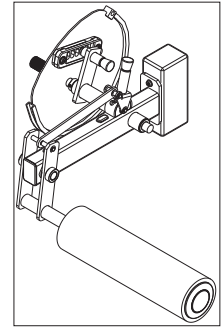
ITEM NO.	QTY.	PART NO.	DESCRIPTION
1	1	7387301	WELDMENT, PS-ST6
2	1	7387595	WELDMNT, PS-ROLLER SEAT HANDLE
3	3	7564201	ASSY, SEAT ROLLER
4	1	7564301	SEATRACK, ROLLER SERRATED
5	1	7564401	SEATRACK, FLAT
6	2	7352301	CAP, END 2 X 3
7	1	3238312	M10x1.5x75mm
8	1	3236212	SCREW, M10 X1.5 75MM
9	5	3236801	NUT, M10 HEX NYLOCK SS
10	4	3236217	SCREW, M10 X1.5 100MM
11	4	3236601	WASHER, 3/8 SAE SS
12	1	7442701	SPRNG, PRO2 HANDLE TORSION
13	1	3238502	CAP, 1/2 X 3
14	1	7570601	STOP, ROLLER SEAT
15	1	3235802	GRIP, SHADOW GRAY, 1.5"
16	1	7422002	LABEL, SEAT ADJUST
17	1	7422001	LABEL, SEAT INST
18	2	3236602	WASHER, 3/8 ID X 1.25 OD SS

PSSLCSE SEATED LEG CURL WORK ARM ASSEMBLY



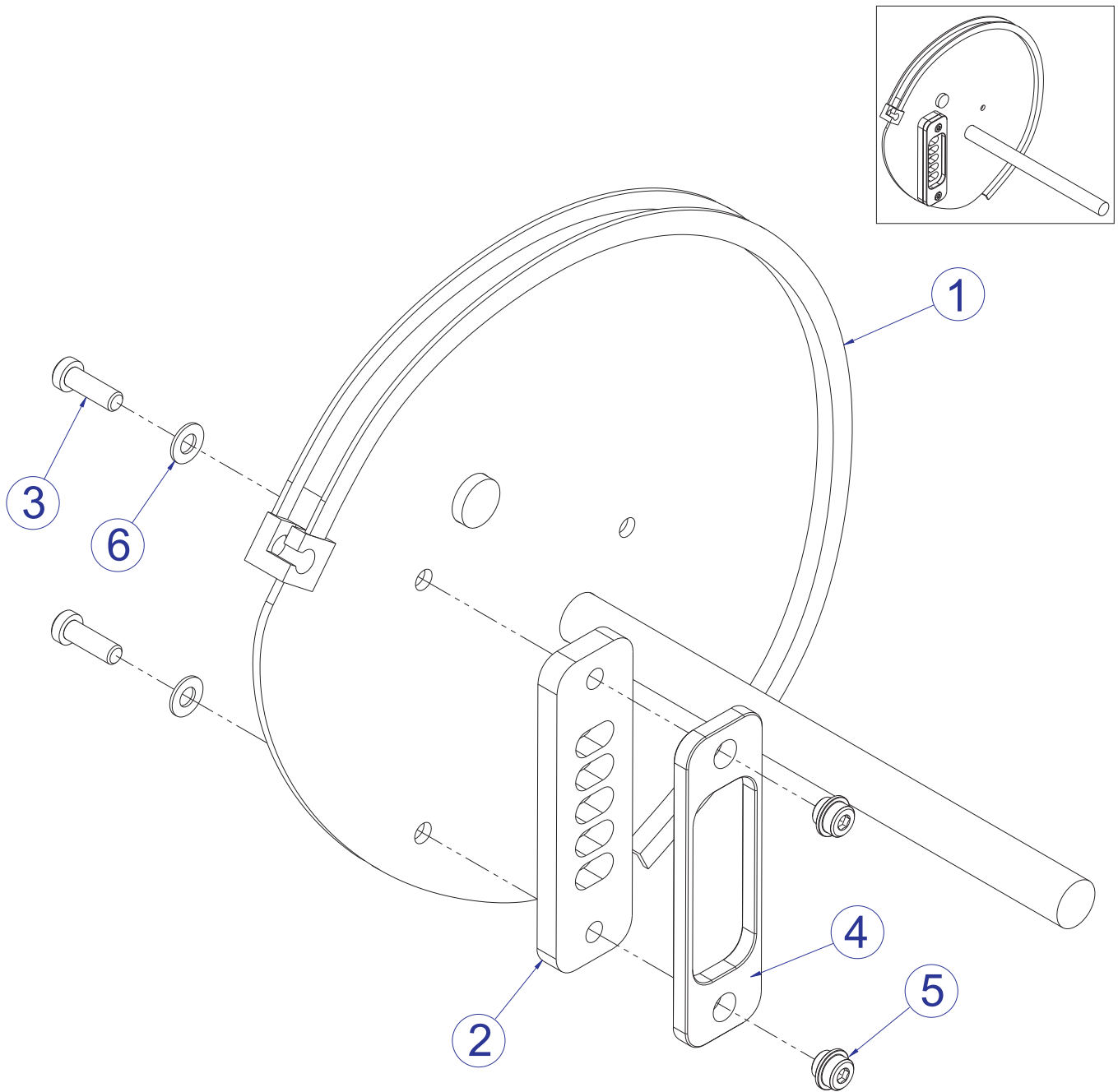
SEE PAGE 12 FOR LEGEND

PSSLCSE SEATED LEG CURL WORK ARM ASSEMBLY LEGEND



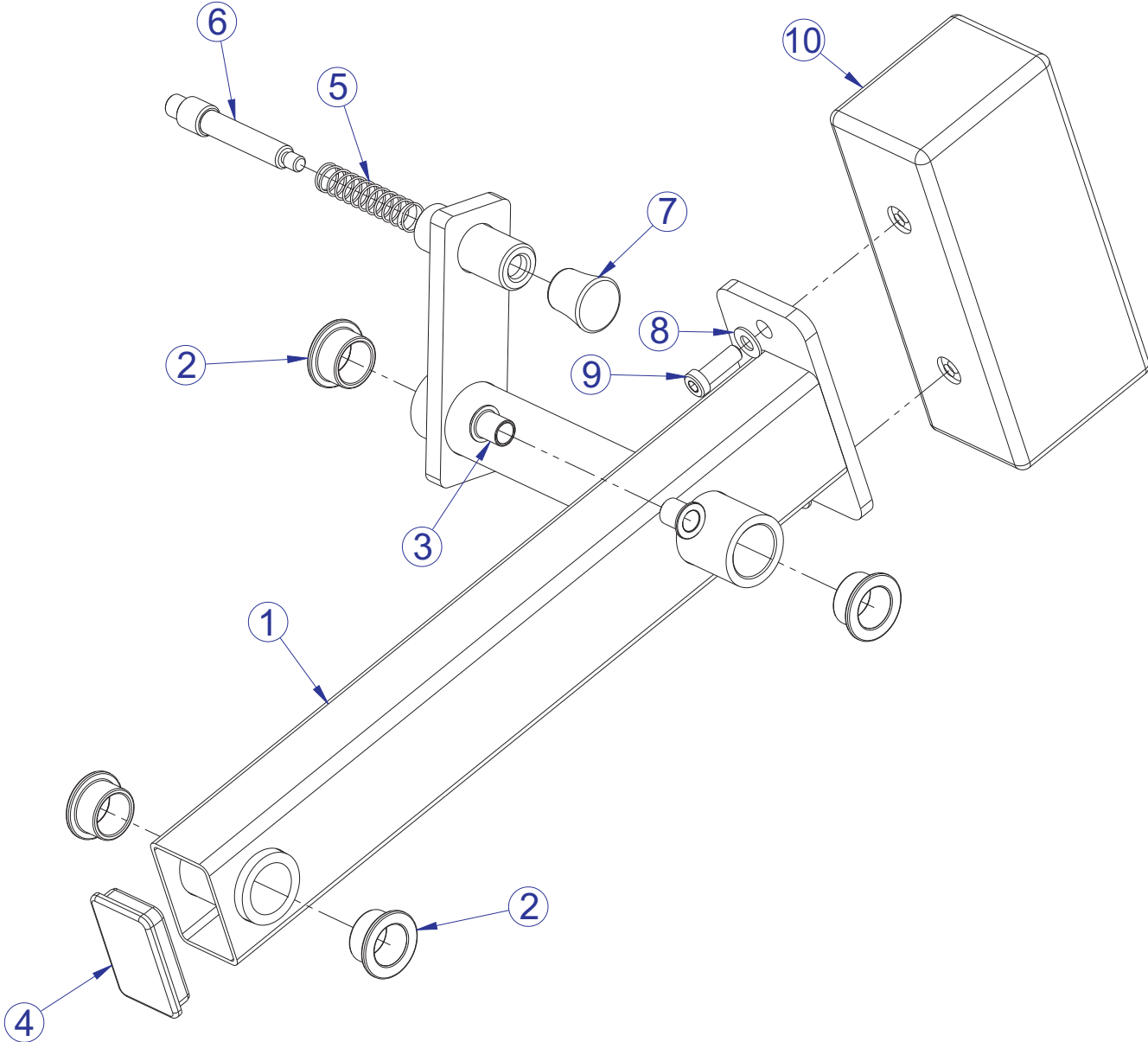
ITEM NO.	QTY.	PART NO.	DESCRIPTION
1	1	7581501	ASSY, PSSLC OMA
2	1	7582201	ASSY, PSSLC-CAM OMA
3	1	7375895	WELDMENT, PSLE-OPTIONAL MA KICKER
4	1	7379801	ASSY, PS - 4-BAR SHIFTER
5	2	7380201	PIN, PS - 4-BAR
6	1	7380195	LINK, PS - 4 BAR ASSY
7	1	7380202	PIN, PS - 4-BAR
8	2	3242902	SCREW, SET BO
9	1	7358201	SHAFT, 1 DIA X 4.88
10	10	3221705	E-RING, 3/8
11	1	7435301	COLLAR, SHAFT 1.020 ID
12	1	7392801	ASSY, ROLLER PAD - LONG
13	1	3236204	SCREW, M10 X1.5 35MM
14	1	7322301	PLATE, 1.97 OD X .44 ID 10GA
15	1	7357901	SHAFT COLLAR, 1-1/2" ID ALUM
16	1	7347301	NUT, SPIDER M10 X 1.5
17	1	7308701	CAP, BEARING HOUSING
18	1	6912805	SLEEVE, ACCRDN 1.0 ID X 5.5
19	2	7570801	GUARD, PAINT 1.25"x.75"x.25"
20	1	7422005	LABEL, SMALL - XL
21	1	7805801	LABEL, PS A-E STRAIGHT

PSSLCSE SEATED LEG CURL CAM ASSEMBLY - 7582201



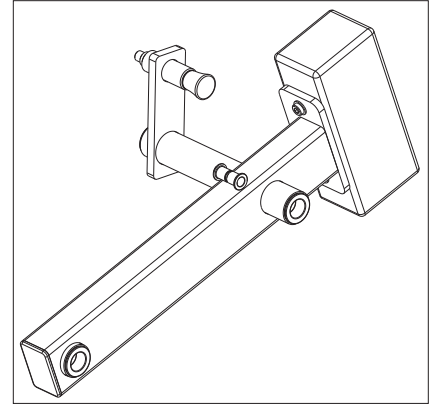
ITEM NO.	QTY.	PART NO.	DESCRIPTION
1	1	7581801	WLDMT, PSSLC CAM OMA
2	1	7352501	5-HOLE SELECTOR PLATE
3	2	3236203	M10 X 1.5 X 30 HXS SOC CS SS
4	1	7350901	PLATE, SLOT STOP
5	2	7335401	NUT, SOCKET HEAD M10 X 1.5 SS
6	2	3236601	WASHER, 3/8 SAE STAINLESS STEEL

PSSLCSE SEATED LEG CURL MOVEMENT ARM ASSEMBLY - 7581501



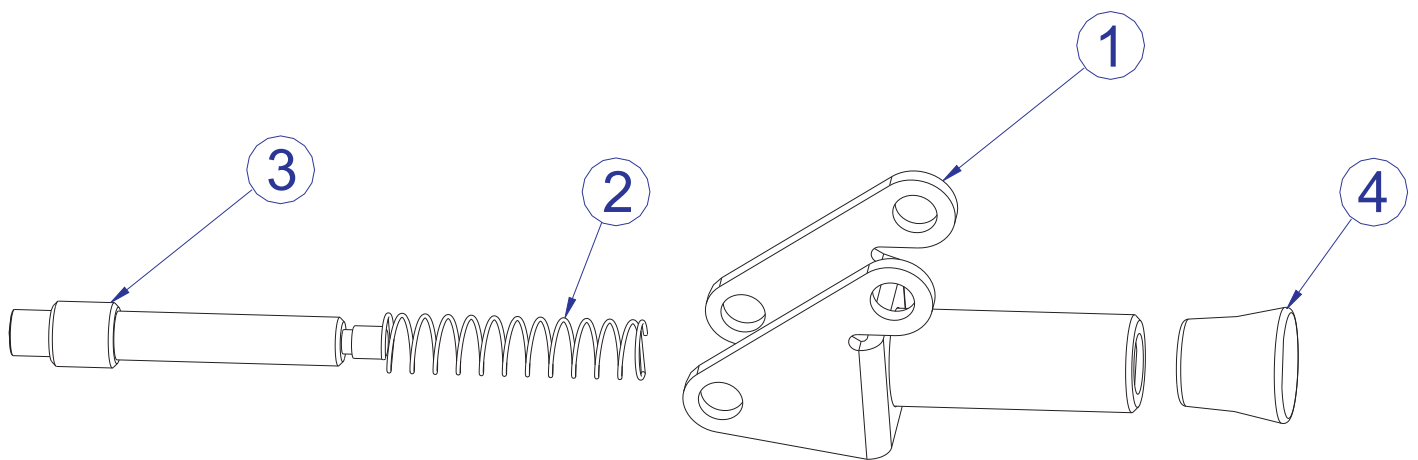
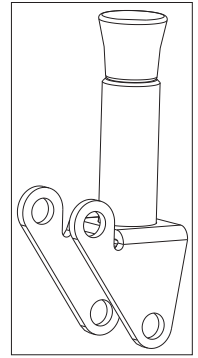
SEE PAGE 15 FOR LEGEND

PSSLCSE SEATED LEG CURL MOVEMENT ARM ASSEMBLY LEGEND



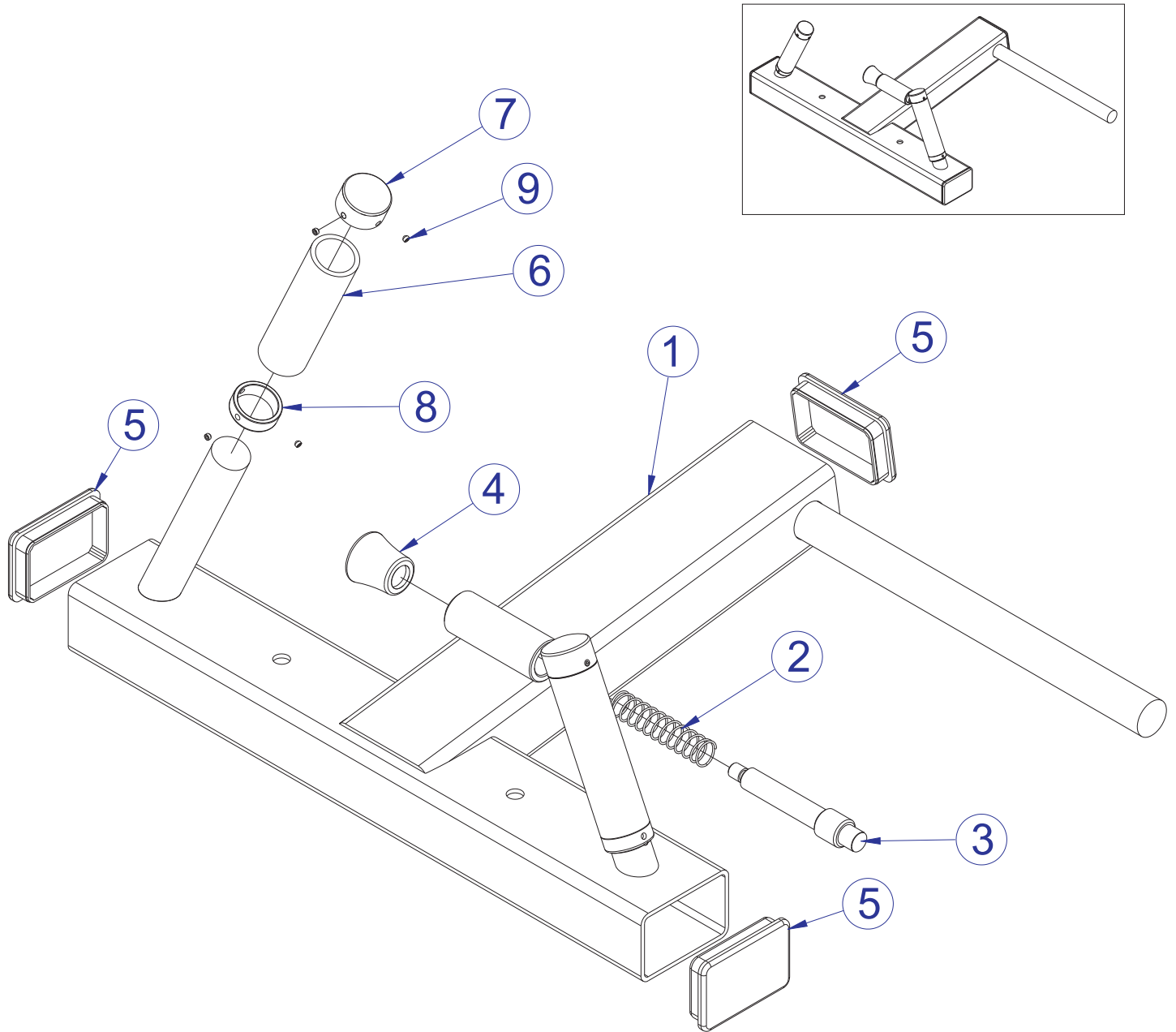
ITEM NO.	QTY.	PART NO.	DESCRIPTION
1	1	7581601	WLDMT, PSSLC OMA
2	4	3104903	1.00" ID 1.25" OD BRONZ BUSHING
3	2	6020601	BEARING, FLG 1/2 ID X 5/8 OD
4	1	7352301	CAP, END 2 X 3
5	1	7351501	SPRING; PULL PIN LARGE
6	1	7351301	PIN, PULL
7	1	7351401	KNOB, TULIP STYLE
8	2	3236601	WASHER, 3/8 SAE SS
9	2	3236203	SCREW, M10 X1.5 30MM
10	1	7802501	WEIGHT, COUNTER LG

PSSLCSE SEATED LEG CURL FOUR BAR SHIFTER ASSEMBLY - 7379801



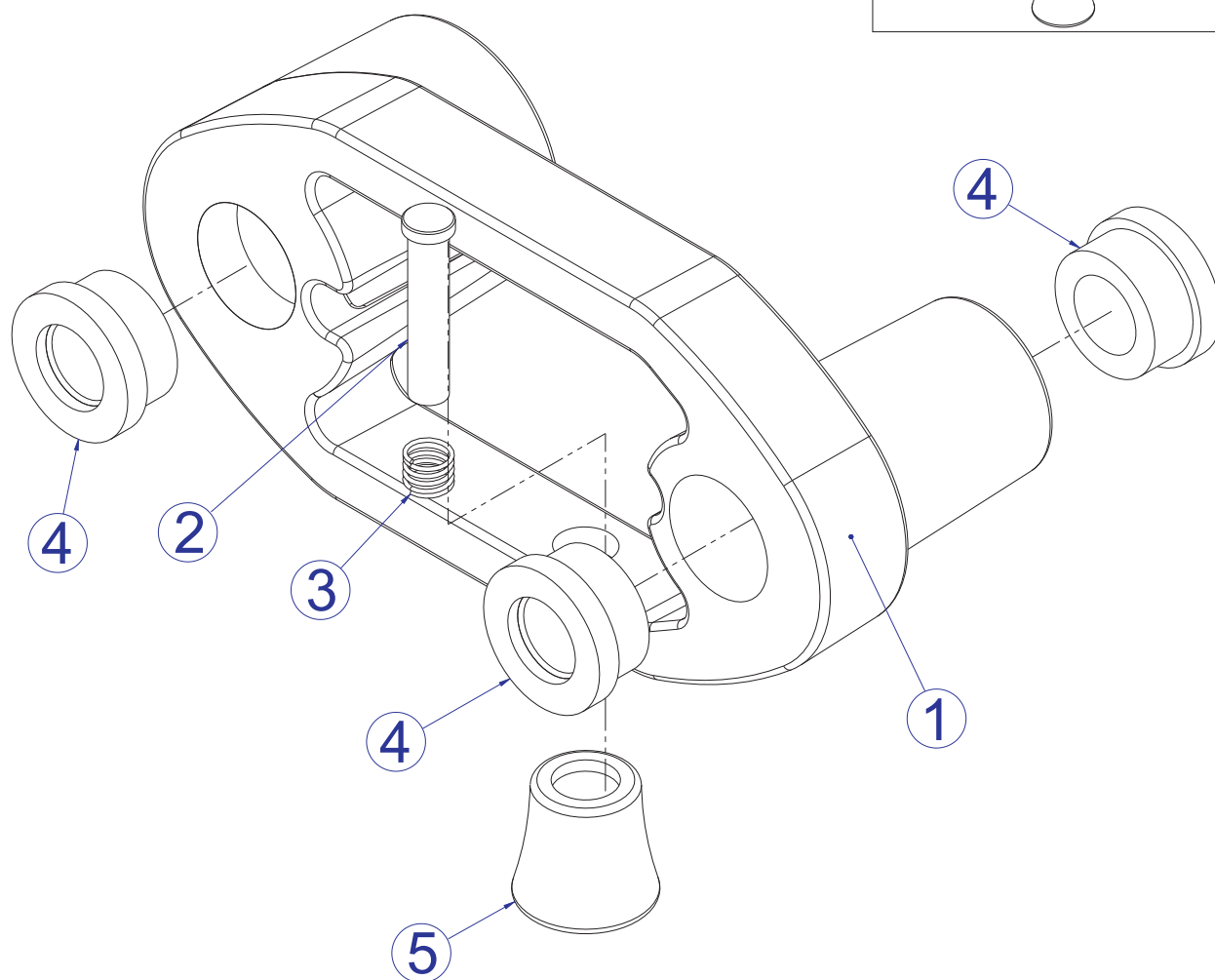
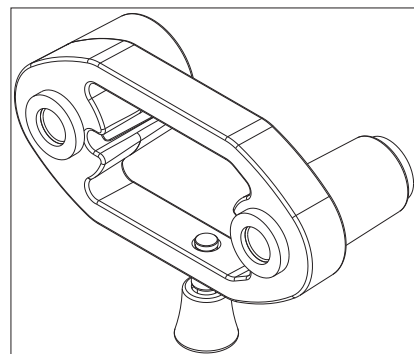
ITEM NO.	QTY.	PART NO.	DESCRIPTION
1	1	7379995	WELDMENT, PS - 4-BAR SHIFTER
2	1	7351501	SPRING; PULL PIN LARGE
3	1	7351301	PIN, PULL
4	1	7351401	KNOB, TULIP STYLE

PSSLCSE SEATED LEG CURL THIGH HOLD DOWN ASSEMBLY - 7580501



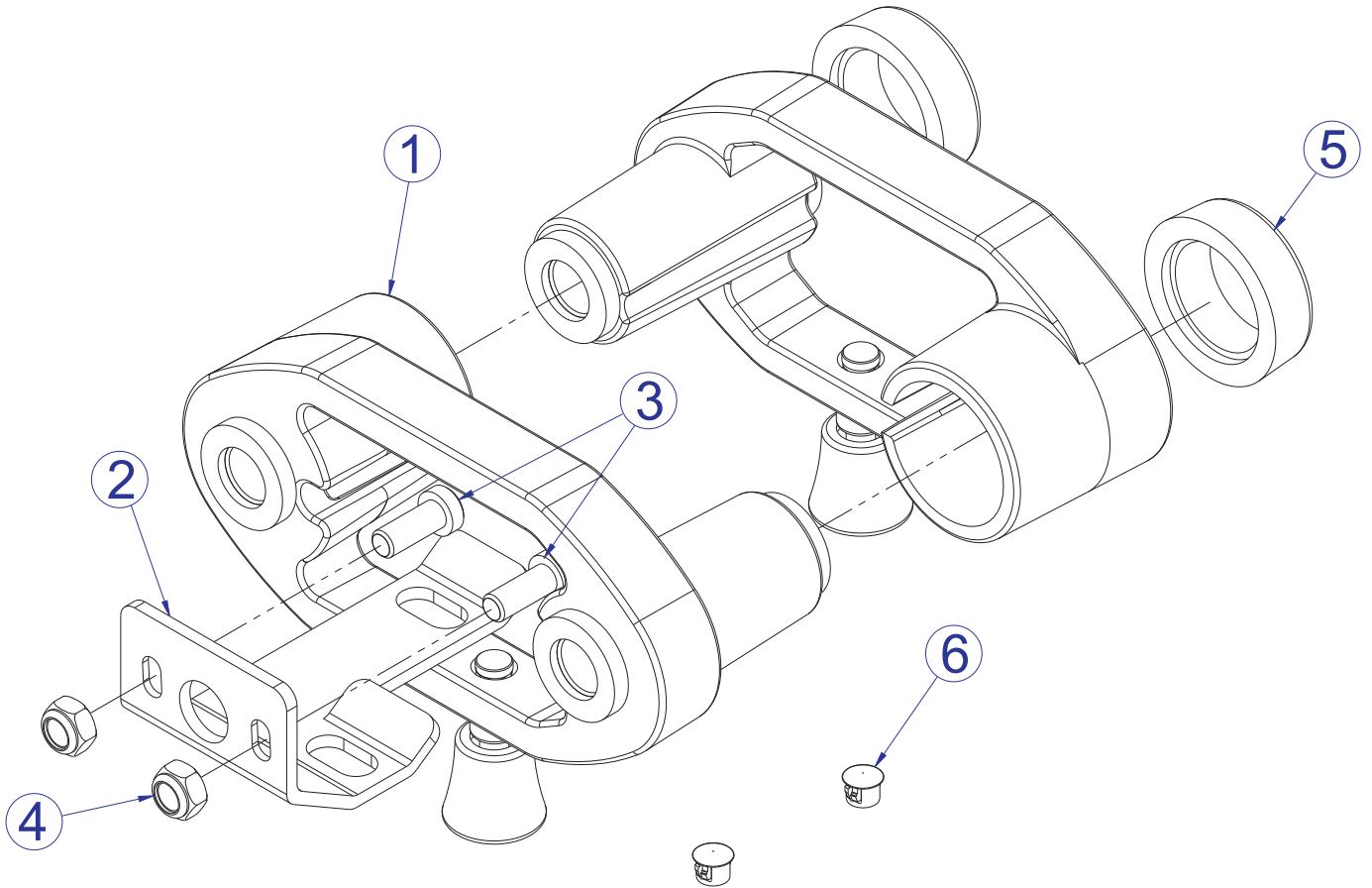
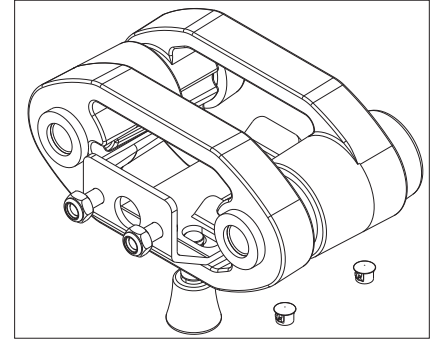
ITEM NO.	QTY.	PART NO.	DESCRIPTION
1	1	7580601	WLDMT, PSSLC-THIGH RESTRAINT
2	1	7351501	SPRING; PULL PIN LARGE
3	1	7351301	PIN, PULL
4	1	7351401	KNOB, TULIP STYLE
5	3	7352301	CAP, END 2 X 3
6	2	3235801	GRIP, TBC
7	2	7662901	CAP, GRIP 1.25 OD
8	2	7662801	RING, GRIP 1.25 OD
9	8	3247701	M4 X .7 HXS NO CUP ST BO

PSSLCSE SEATED LEG CURL 5LB INCREMENT WEIGHT ASSEMBLY - 7446501



ITEM NO	QTY	PART NO	DESCRIPTION
1	1	7446602	BODY, 5LB INCREMENT WEIGHT
2	1	7446901	PIN, RETAINING
3	1	7447001	SPRING, COMPRESSION
4	3	7560001	BUSHING, MTS, INC WEIGHT
5	1	7351401	KNOB, TULIP STYLE

PSSLCSE SEATED LEG CURL INCREMENT WEIGHT W/STRIKER - 7415101

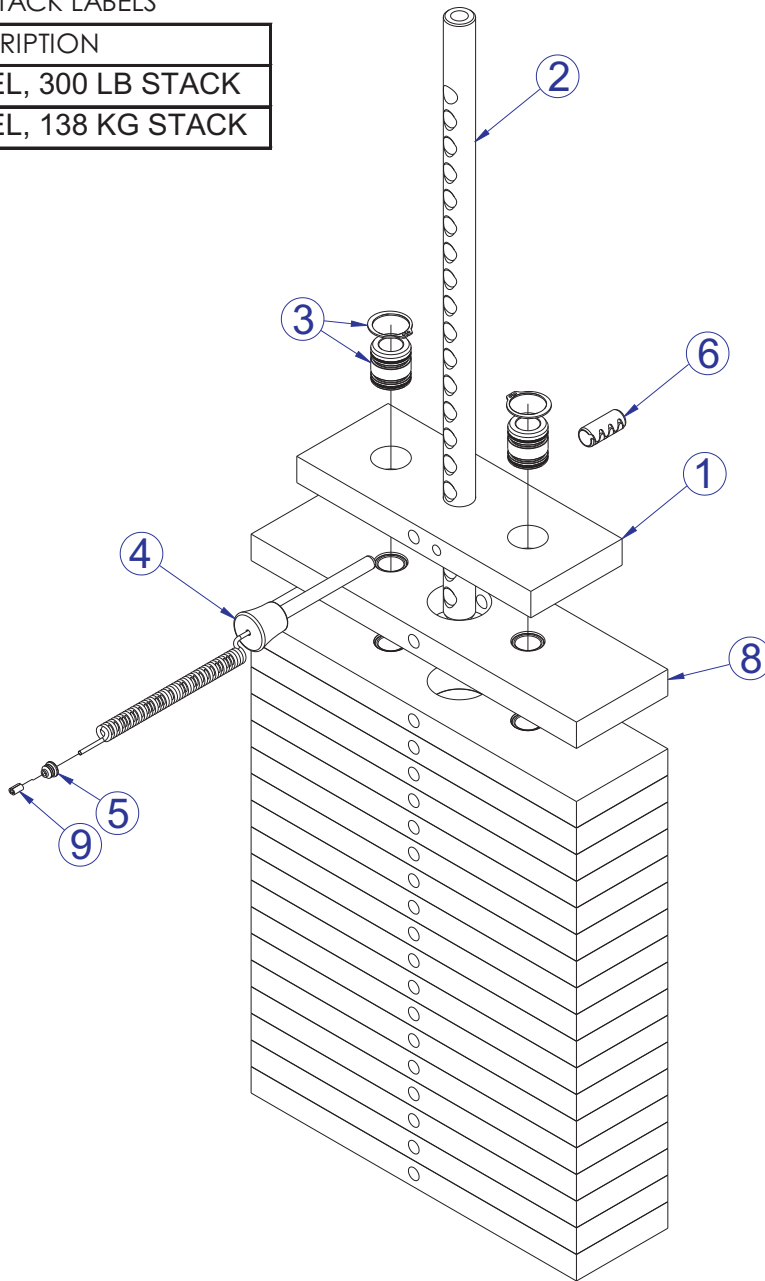
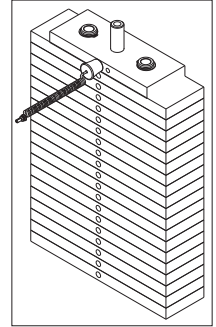


ITEM NO	QTY	PART NO	DESCRIPTION
1	2	7446501	ASSY, 5LB INCREMENT WEIGHT
2	1	8002601	PLATE, INCR. WT STRIKER
3	2	3236202	SCREW, M10 X1.5 25MM
4	2	3236801	NUT, M10 HEX NYLOCK SS
5	2	7767601	BUMPER, PS INCREMENT WT
6	2	3237401	PLUG, 7/16" HOLE

PSSLCSE SEATED LEG CURL WEIGHT STACK ASSY 300LB - 7353501

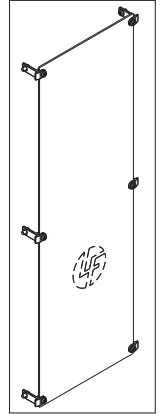
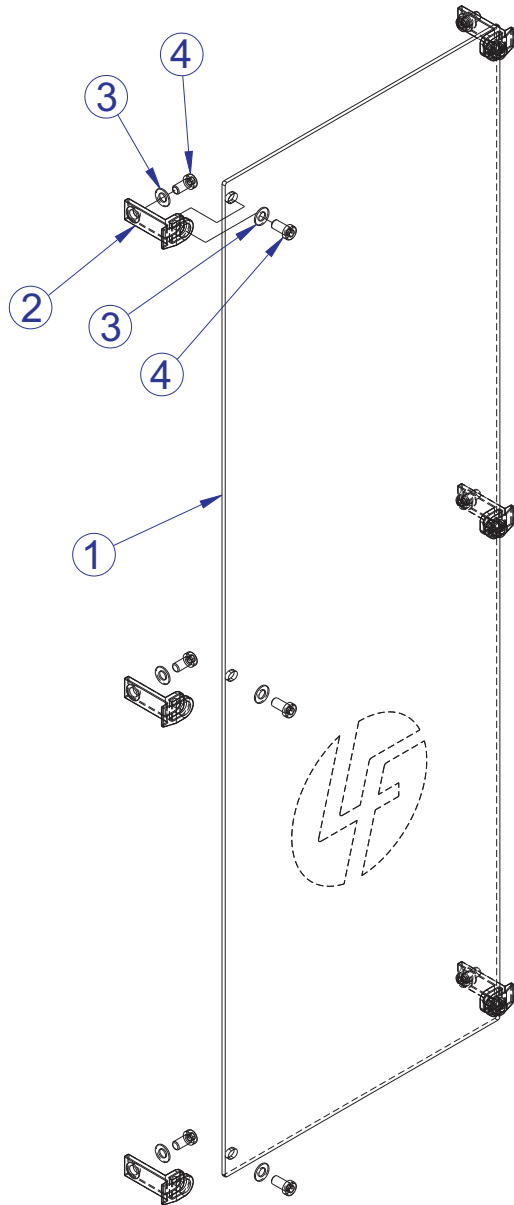
WEIGHT STACK LABELS

PART NO.	DESCRIPTION
7987201	LABEL, 300 LB STACK
7987401	LABEL, 138 KG STACK



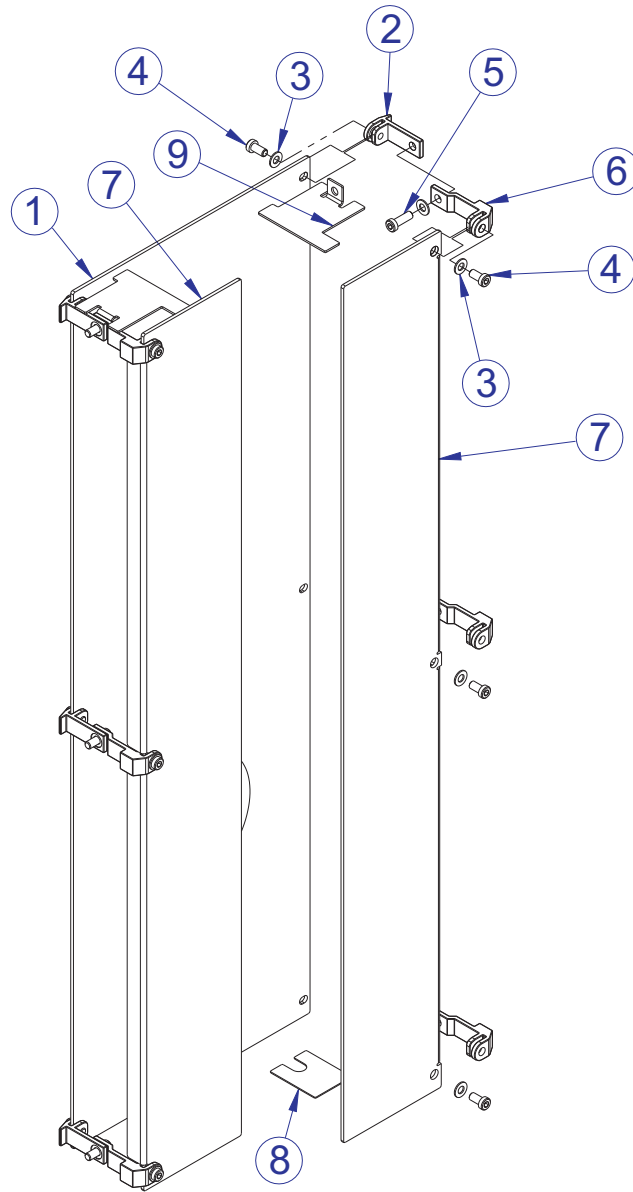
ITEM NO.	QTY.	PART NO.	DESCRIPTION
1	1	7353901	HEADPLATE, WT. STACK
2	1	7356601	STEM, PRO2 19 HOLE
3	2	7338001	BUSHING, HEADPLATE
4	1	7353001	ASSY, SELECTOR PIN
5	1	7356501	PLUG, LANYARD ATTACHMENT
6	1	3236001	BUSHING, SPRING PIN
8	19	7353801	ASSY, 15 LB PLATE
9	1	7523601	CRIMP, CABLE

PSSLCSE SEATED LEG CURL REAR SHROUD KIT STD-MED - 7415202



ITEM NO.	QTY.	PART NO.	DESCRIPTION
1	1	7376802	SHIELD, PS REAR
2	6	7655301	BRACKET, PS REAR SHIELD
3	12	3236601	WASHER, 3/8 SAE SS
4	12	3236201	SCREW, M10 X1.5 20MM

PSSLCSE SEATED LEG CURL OPTIONAL FULL SHROUD KIT STD-MED - 7539602



ITEM NO.	QTY.	PART NO.	DESCRIPTION
1	1	7376802	SHIELD, PS REAR
2	6	7655301	BRACKET, PS REAR SHIELD
3	18	3236601	WASHER, 3/8 SAE SS
4	12	3236201	SCREW, M10 X1.5 20MM
5	6	3236203	SCREW, M10 X1.5 30MM
6	6	7376601	BRACKET, PS FRONT SHIELD
7	2	7376902	SHIELD, PS - FRONT
8	2	7570901	PLATE, PS SHIELD STAND-OFF
9	2	7657401	PLATE, PRO2 SHROUD SPCR

PSSLCSE SEATED LEG CURL IMAGE

