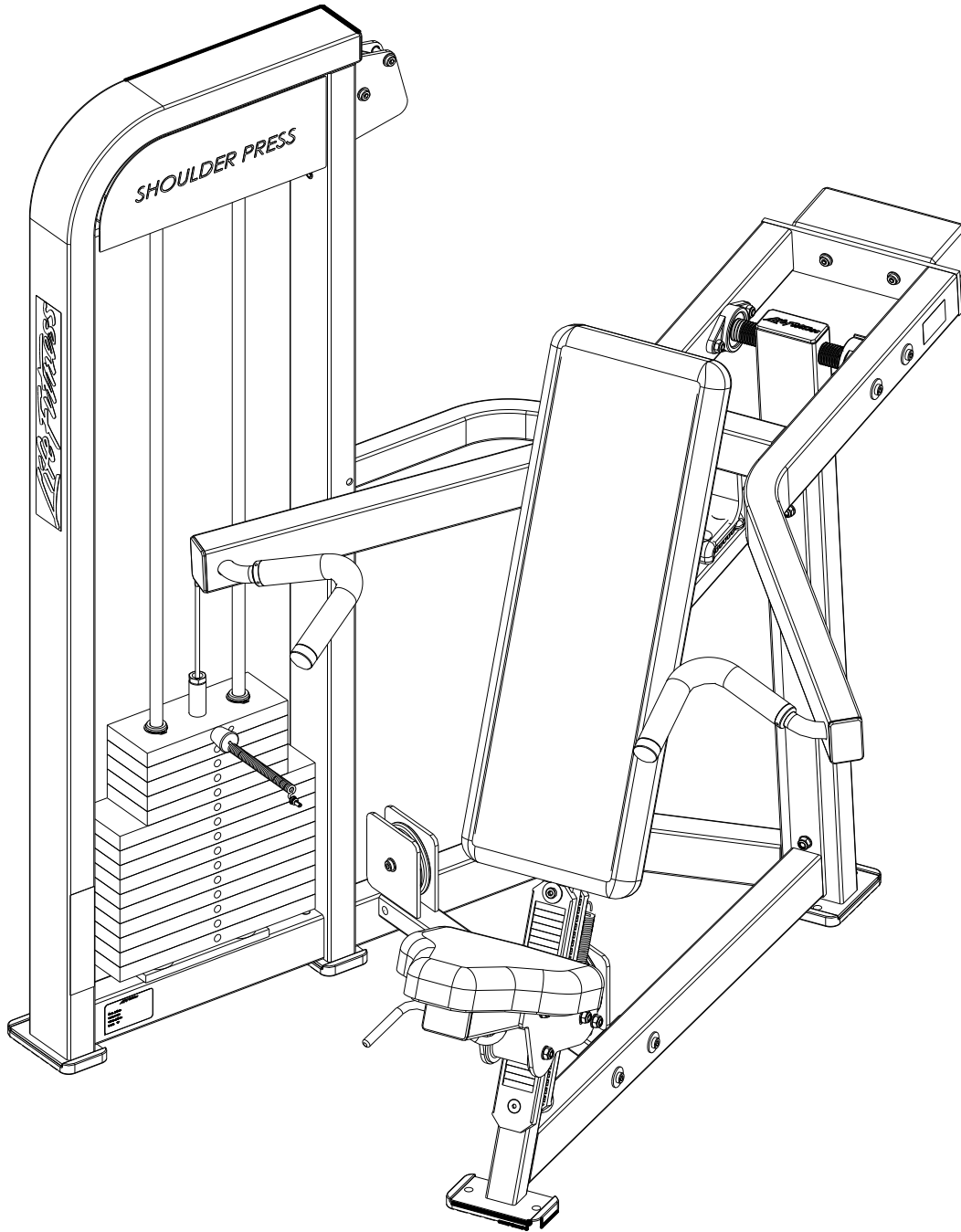




PRO 2 SERIES
PSSPSE SHOULDER PRESS

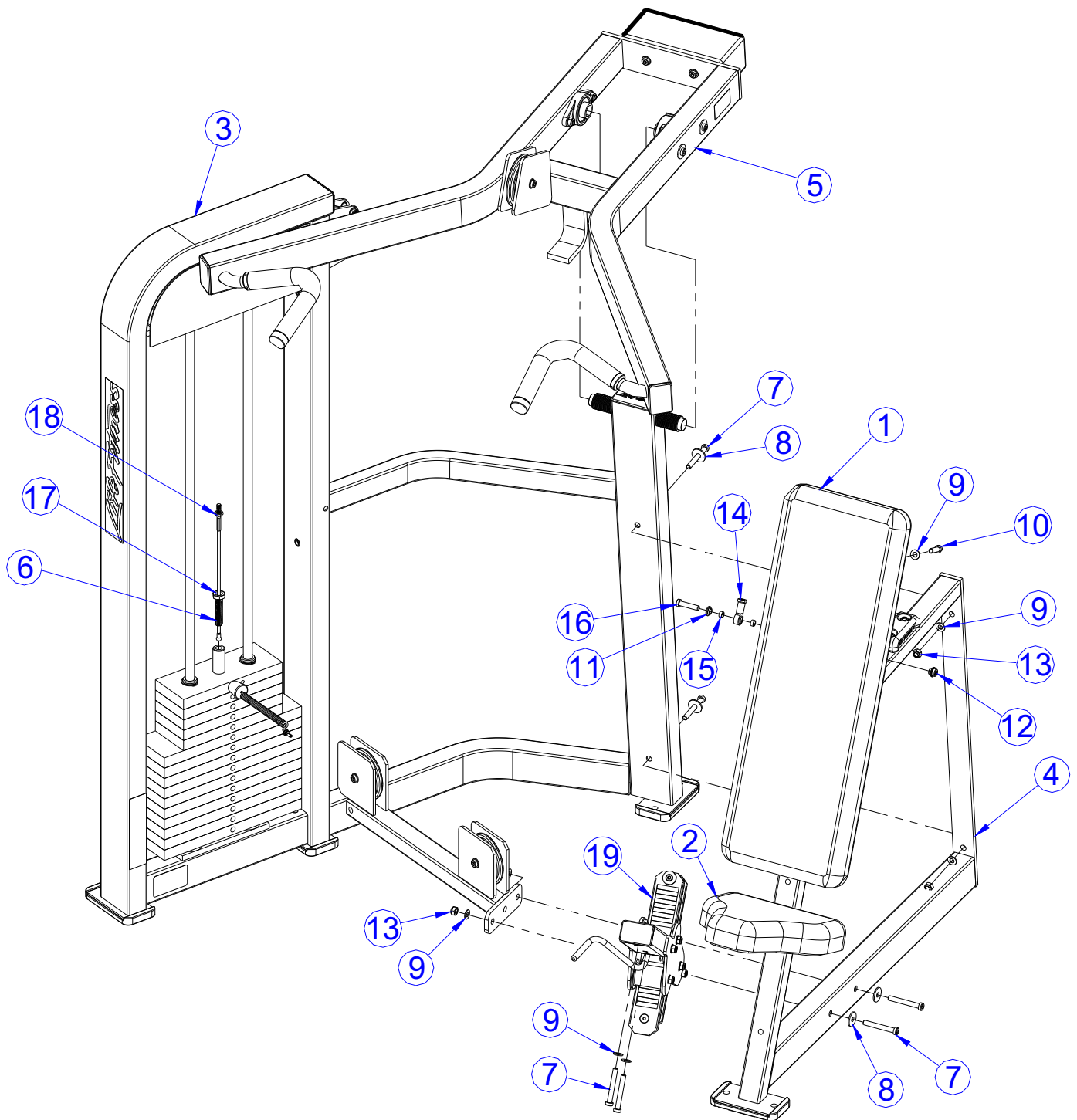


Customer Support Services
PARTS MANUAL

PSSPSE SHOULDER PRESS CONTENTS

	Page
COMPONENT ASSEMBLY	3
COMPONENT ASSEMBLY LEGEND	4
SIDE FRAME ASSEMBLY	5
SIDE FRAME ASSEMBLY LEGEND	6
MOVEMENT ARM ASSEMBLY	7
MOVEMENT ARM ASSEMBLY LEGEND	8
SEAT FRAME ASSEMBLY	9
SEAT FRAME ASSEMBLY LEGEND	10
97° ROLLER SEAT ASSEMBLY	11
97° ROLLER SEAT ASSEMBLY LEGEND	12
5LB INCREMENT WEIGHT ASSEMBLY	13
INCREMENT WEIGHT ASSEMBLY W/STRIKER	14
WEIGHT STACK (200LB)	15
REAR SHROUD KIT	16
OPTIONAL FULL SHROUD KIT	17
IMAGE	18

PSSPSE SHOULDER PRESS COMPONENT ASSEMBLY

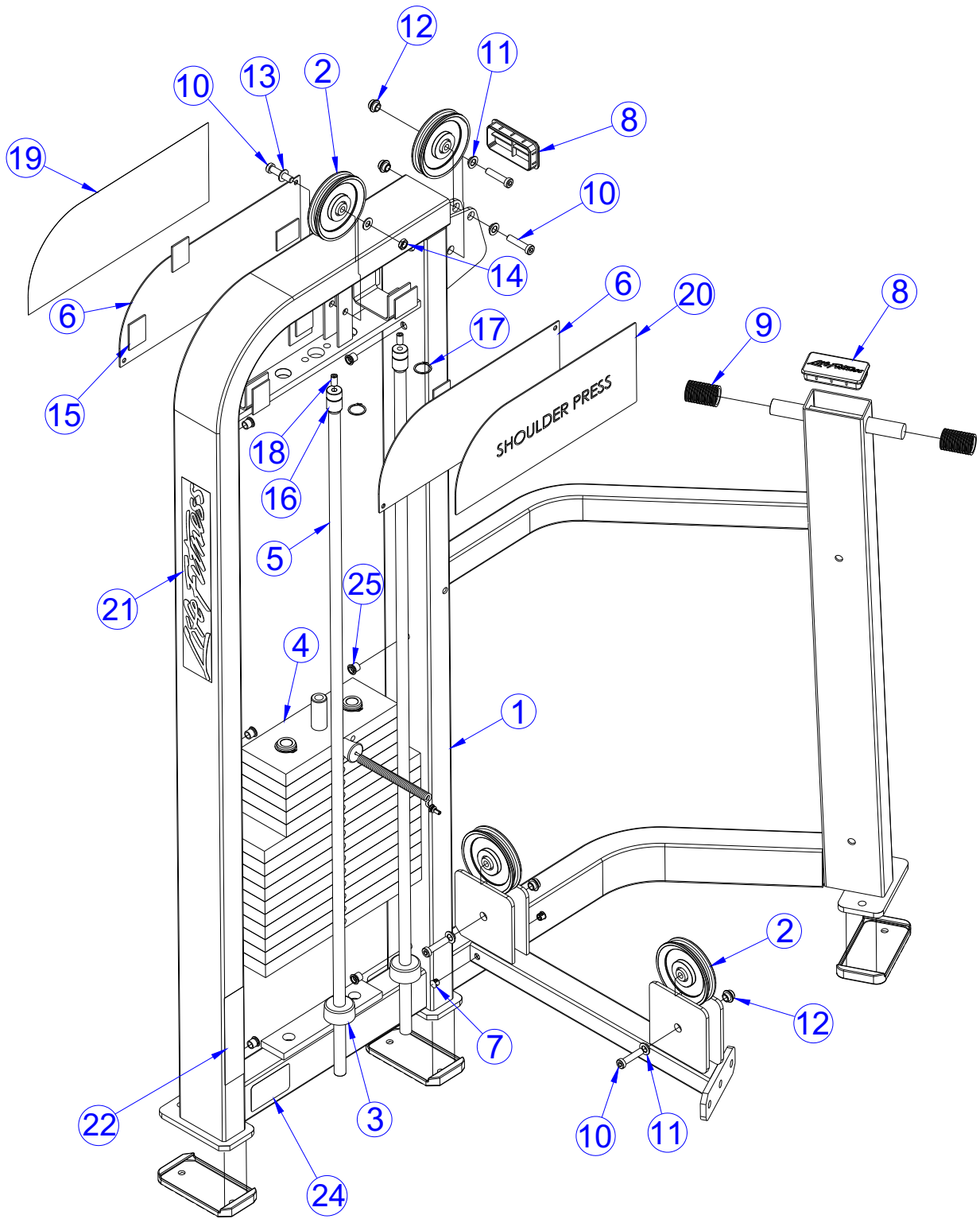


SEE PAGE 4 FOR LEGEND

PSSPSE SHOULDER PRESS COMPONENT ASSEMBLY LEGEND

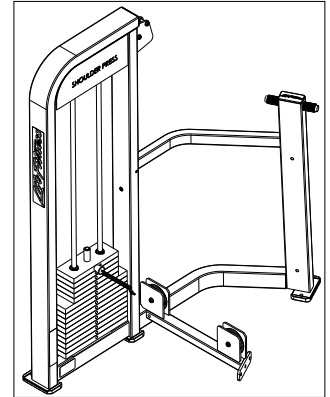
ITEM NO.	QTY.	PART NO.	DESCRIPTION
1	1	73540xx	PAD, BACK 32-1/2 X 11-1/4
2	1	73519xx	PAD, SADDLE
3	1	7439001	ASSY, PSSP SIDE FRAME
4	1	7439101	ASSY, PSSP SEAT FRAME
5	1	7439201	ASSY, PSSP MOVEMENT ARM
6	1	7423608	CABLE, PSSP
7	6	3236212	SCREW, M10 X1.5 75MM
8	4	3236602	WASHER, 3/8 ID X 1.25 OD SS
9	10	3236601	WASHER, 3/8 SAE SS
10	4	3236204	SCREW, M10 X1.5 35MM
11	1	7348101	WASHER, SPACER
12	1	7335401	NUT, M10 X 1.5 SOCKET HEAD
13	4	3236801	NUT, M10 HEX NYLOCK SS
14	1	3237901	ROD END, METRIC FEMALE
15	2	7489402	BSHNG, .500 OD X .402 ID
16	1	3236206	SCREW, M10 X1.5 45MM
17	1	3236902	NUT, M16 X 2 HEX JAM SS
18	1	3236901	NUT, M10 X 1.5 JAM
19	1	7397901	ASSY, 97 DEG ROLLER SEAT

PSSPSE SHOULDER PRESS SIDE FRAME ASSEMBLY - 7439001



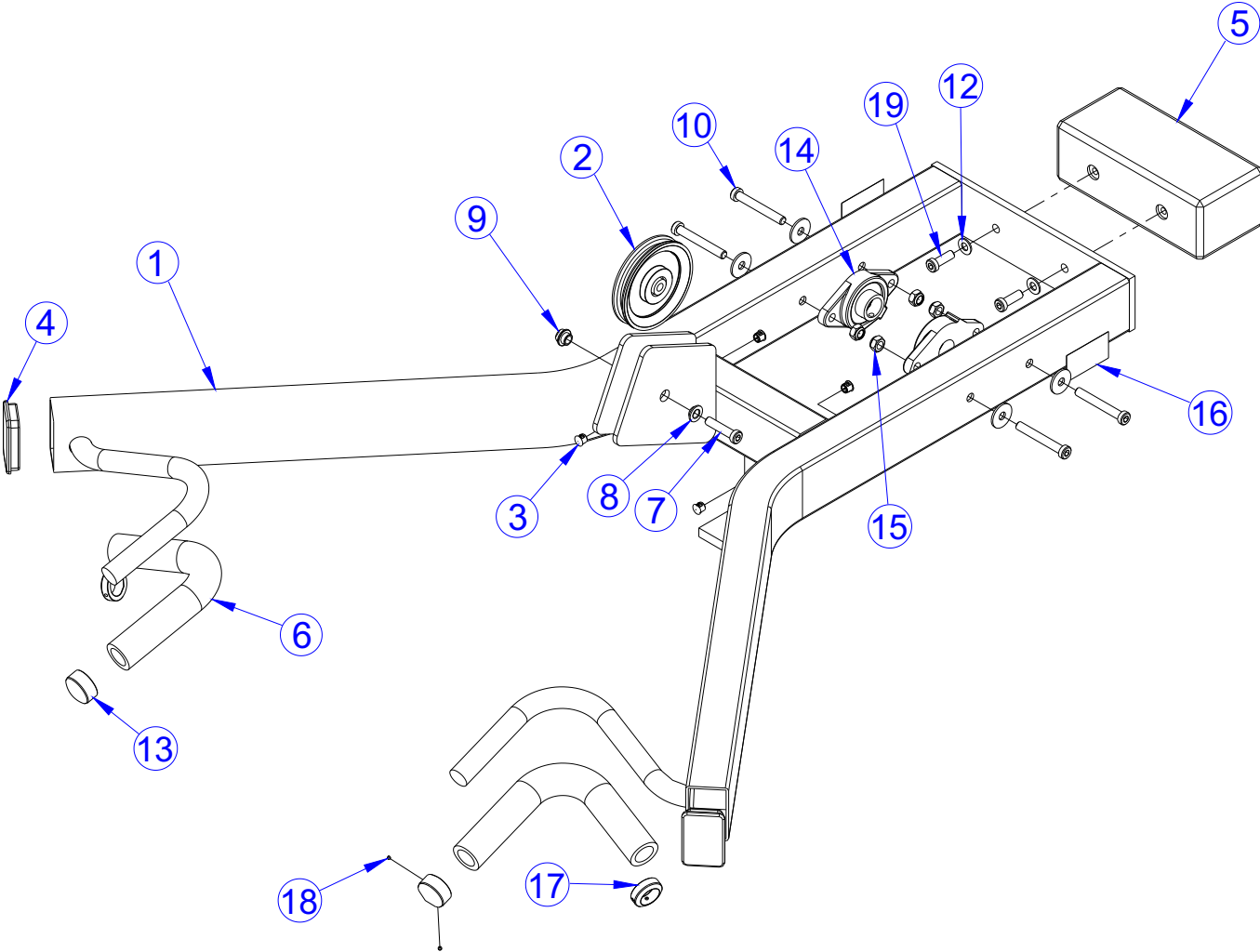
SEE PAGE 6 FOR LEGEND

PSSPSE SHOULDER PRESS SIDE FRAME ASSEMBLY LEGEND



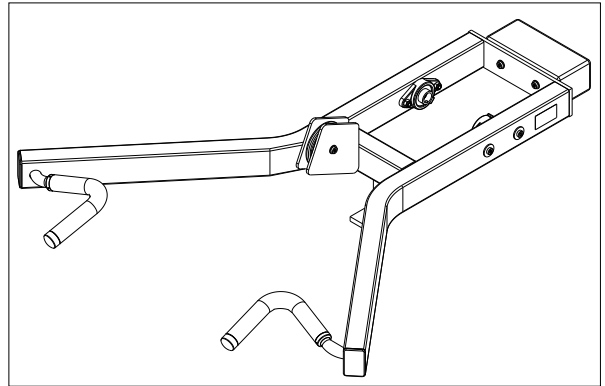
ITEM NO.	QTY.	PART NO.	DESCRIPTION
1	1	7378001	WLDMT, PSSP SIDE FRAME
2	4	3237801	PULLEY, 4.5" OD
3	2	7352101	CUSHION, WEIGHT STACK
4	1	7353401	ASSY, 200LB STACK
5	2	7328605	GUIDE ROD, .75 OD SOLID 52.38
6	2	7606602	COVER, STACK-PRO2 STD
7	5	3237401	PLUG, 7/16" HOLE
8	2	7352401	CAP, END 2 X 4
9	2	6912804	SLEEVE, ACCRDN 1.0 ID X 2
10	5	3236206	SCREW, M10 X1.5 45MM
11	4	7348101	WASHER, SPACER
12	4	7335401	NUT, M10 X 1.5 SOCKET HEAD
13	2	3236601	WASHER, 3/8 SAE SS
14	1	3236901	NUT, M10 X 1.5 JAM
15	12	7544202	PAD, DUAL LOCK 250 1.5" X 2.0"
16	2	7402301	RETAINER, GUIDEROD
17	2	3232421	RING, BRE .940, 5100-100 ST PP B
18	2	3240501	M10 X 1.5 HXS NO CUP ST BO
19	1	7490601	LABEL, PSSP LOGO PANEL
20	1	7438801	LABEL, PSSP PLACARD
21	1	7348001	LABEL, LIFE FITNESS LOGO
22	1	7422000	LABEL, 2" ASTM WARN
23	3	7388201	FOOTPAD, PS RUBBER
24	1	7571301	LABEL, SERIAL NUMBER
25	6	3238101	NUT, BLIND INSERT M10 X 1.5

PSSPSE SHOULDER PRESS MOVEMENT ARM ASSEMBLY - 7439201



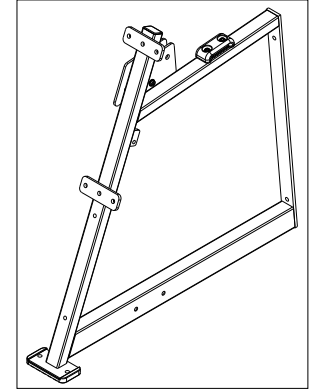
SEE PAGE 8 FOR LEGEND

PSSPSE SHOULDER PRESS MOVEMENT ARM ASSEMBLY LEGEND



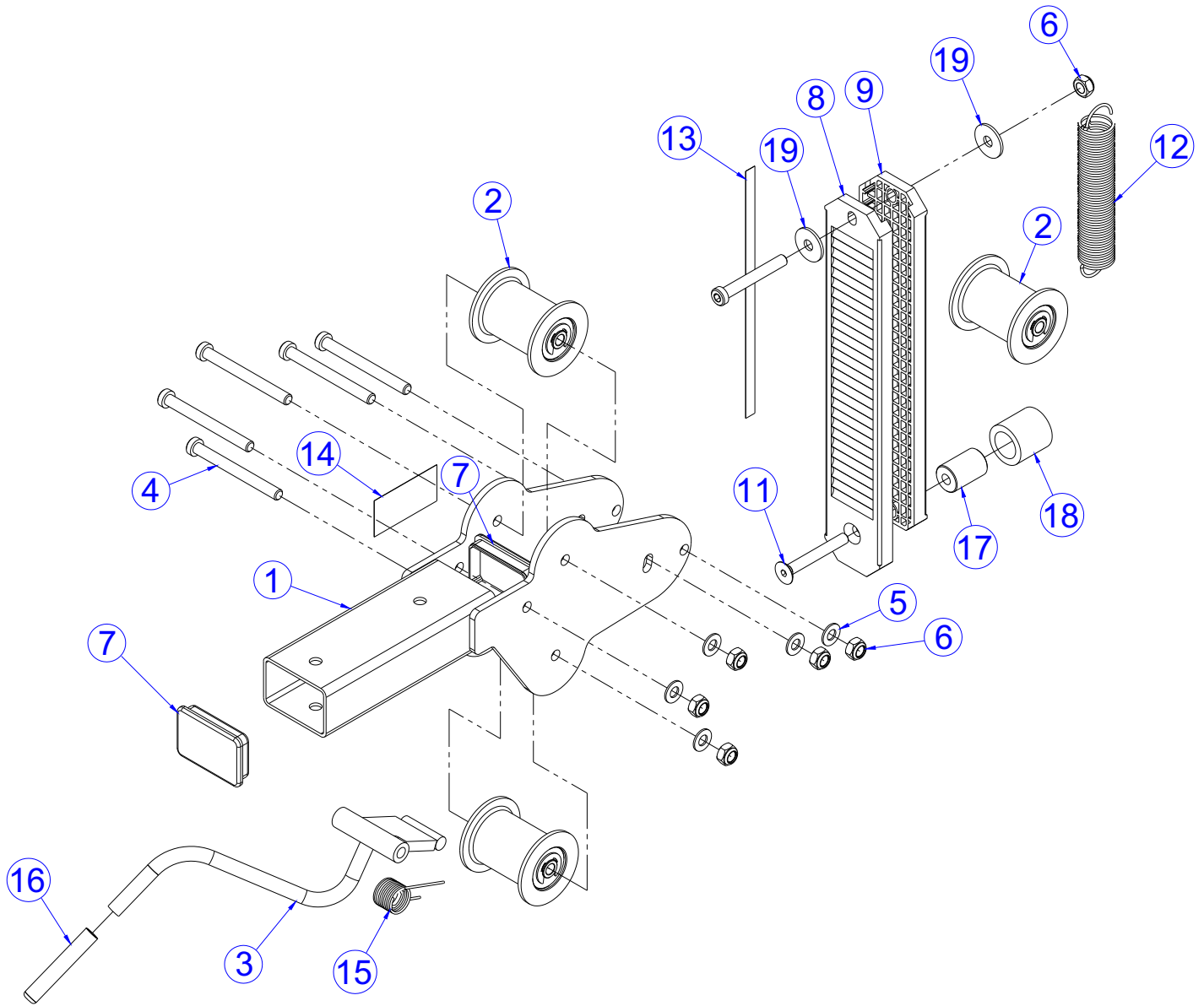
ITEM NO.	QTY.	PART NO.	DESCRIPTION
1	1	7379401	WLDMT, PSSP MOVEMENT ARM
2	1	3237801	PULLEY, 4.5" OD
3	4	3237401	PLUG, 7/16" HOLE
4	2	7352301	CAP, END 2 X 3
5	1	7802501	WEIGHT, COUNTER LG
6	2	3235802	1.50 OD GRIP
7	1	3236206	SCREW, M10 X1.5 45MM
8	1	7348101	WASHER, SPACER
9	1	7335401	NUT, M10 X 1.5 SOCKET HEAD
10	4	3236212	SCREW, M10 X1.5 75MM
11	4	3236602	WASHER, 3/8 ID X 1.25 OD SS
12	2	3236601	WASHER, 3/8 SAE SS
13	2	7662902	CAP, GRIP 1.50 OD
14	2	3237701	ASSY, PILLOW BLOCK 4.88 X 2.75
15	4	3236801	NUT, M10 HEX NYLOCK SS
16	2	7422003	LABEL, MOVING PARTS
17	2	7662802	RING, GRIP 1.50 OD
18	8	3247701	M4 X .7 HXS NO CUP ST BO
19	2	3236203	SCREW, M10 X1.5 30MM

PSSPSE SHOULDER PRESS SEAT FRAME ASSEMBLY LEGEND



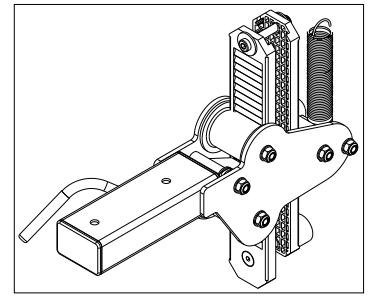
ITEM NO.	QTY.	PART NO.	DESCRIPTION
1	1	7378701	WLDMT, PSSP SEAT FRAME
2	1	7378501	PLATE, PSSP PULLEY
3	1	3237801	PULLEY, 4.5" OD
4	1	7354301	SPACER, 7/16 ID X .75 OD X 1
5	1	7352001	BUMPER, 2-1/8 X 4-5/8
6	1	7352201	CAP, END 1-1/2 X 2
7	2	3236205	SCREW, M10 X1.5 40MM
8	2	7348101	WASHER, SPACER
9	2	7335401	NUT, M10 X 1.5 SOCKET HEAD
10	2	3236210	SCREW, M10 X1.5 65MM
11	4	3236601	WASHER, 3/8 SAE SS
12	2	3236801	NUT, M10 HEX NYLOCK SS
13	1	7388201	FOOTPAD, PS RUBBER

PSSPSE SHOULDER PRESS 97° ROLLER SEAT ASSEMBLY - 7397901



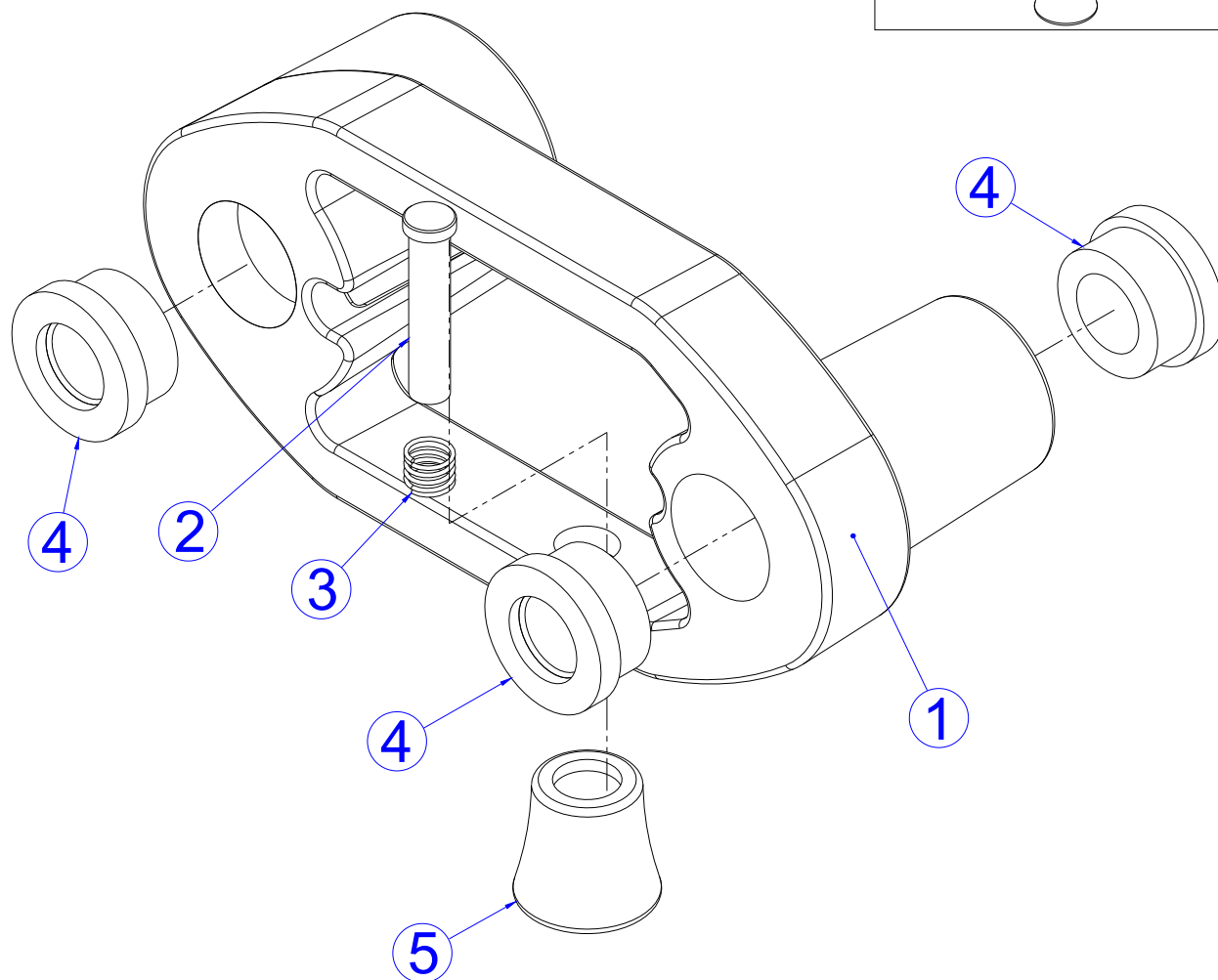
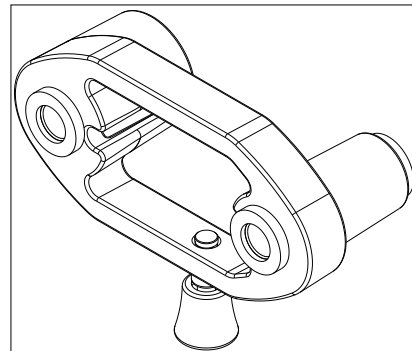
SEE PAGE 12 FOR LEGEND

PSSPSE SHOULDER PRESS 97° ROLLER SEAT ASSEMBLY LEGEND



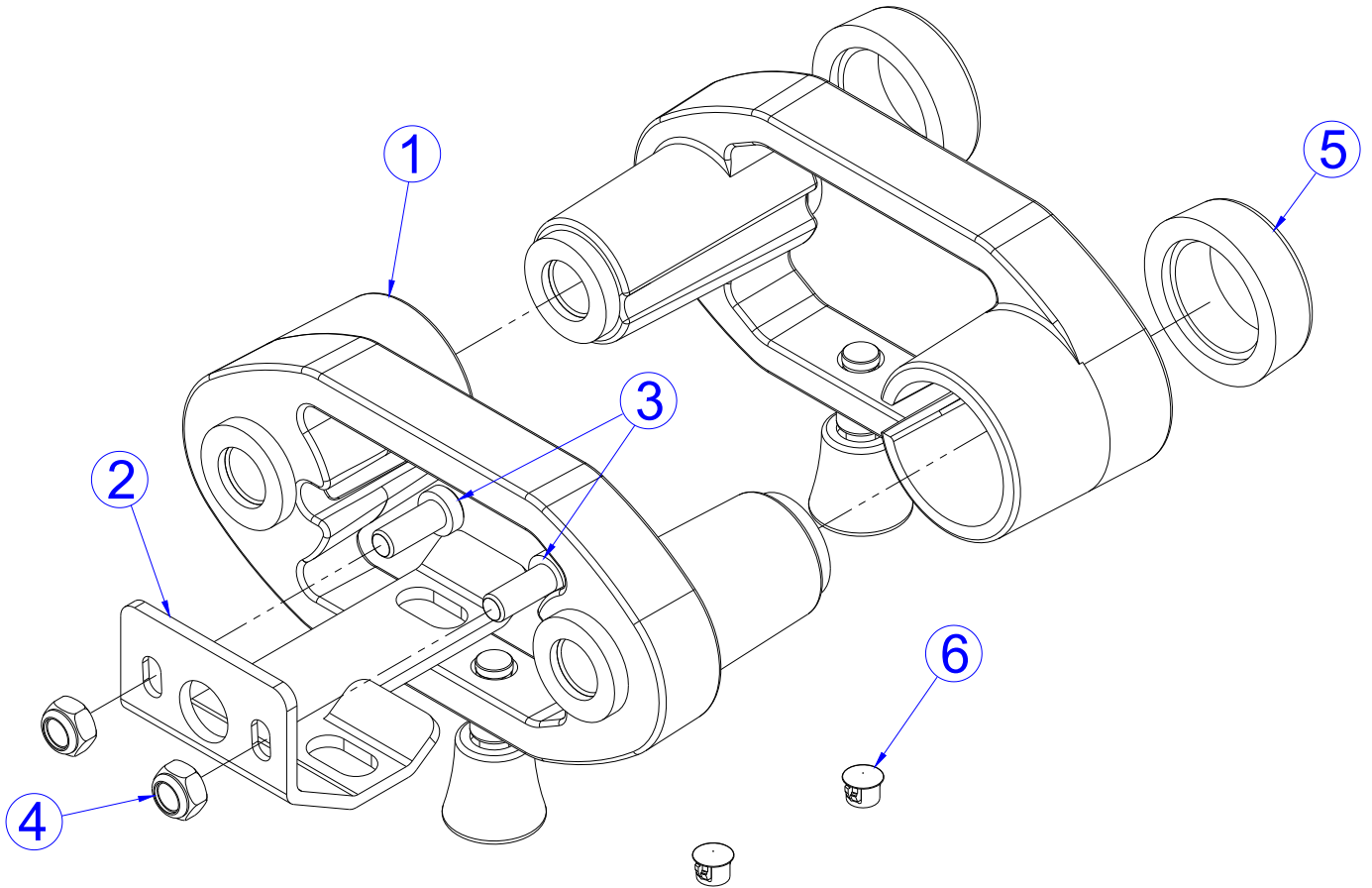
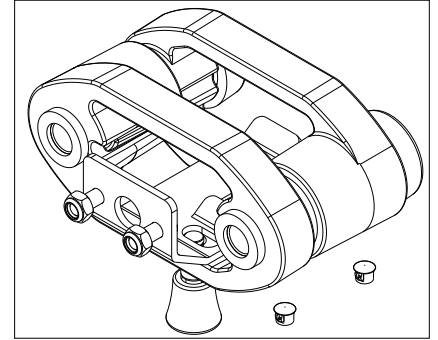
ITEM NO.	QTY.	PART NO.	DESCRIPTION
1	1	7398001	WLDMNT, 97 DEG ROLLER SEAT
2	3	7564201	ASSY, SEAT ROLLER
3	1	7387595	WELDMNT, PS-ROLLER SEAT HANDLE
4	5	3236217	SCREW, M10 X1.5 100MM
5	5	3236601	WASHER, 3/8 SAE SS
6	6	3236801	NUT, M10 HEX NYLOCK SS
7	2	7352301	CAP, END 2 X 3
8	1	7564301	SEATRACK, ROLLER SERRATED
9	1	7564401	SEATRACK, FLAT
10	1	3236212	SCREW, M10 X1.5 75MM
11	1	3238312	M10x1.5x75mm
12	1	7442601	SPRING, PRO2 ROLLER SEAT
13	1	7422002	LABEL, SEAT ADJUST
14	1	7422001	LABEL, SEAT INST
15	1	7442701	SPRNG, PRO2 HANDLE TORSION
16	1	3238502	CAP, 1/2 X 3
17	1	7570601	STOP, ROLLER SEAT
18	1	3235802	GRIP, SHADOW GRAY, 1.5"
19	2	3236602	WASHER, 3/8 ID X 1.25 OD SS

PSSPSE SHOULDER PRESS 5LB INCREMENT WEIGHT ASSEMBLY - 7446501



ITEM NO	QTY	PART NO	DESCRIPTION
1	1	7446602	BODY, 5LB INCREMENT WEIGHT
2	1	7446901	PIN, RETAINING
3	1	7447001	SPRING, COMPRESSION
4	3	7560001	BUSHING, MTS, INC WEIGHT
5	1	7351401	KNOB, TULIP STYLE

PSSPSE SHOULDER PRESS INCREMENT WEIGHT W/STRIKER - 7415101

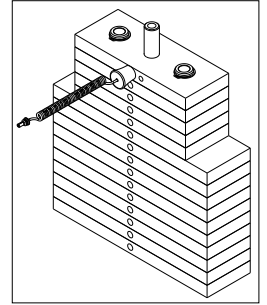
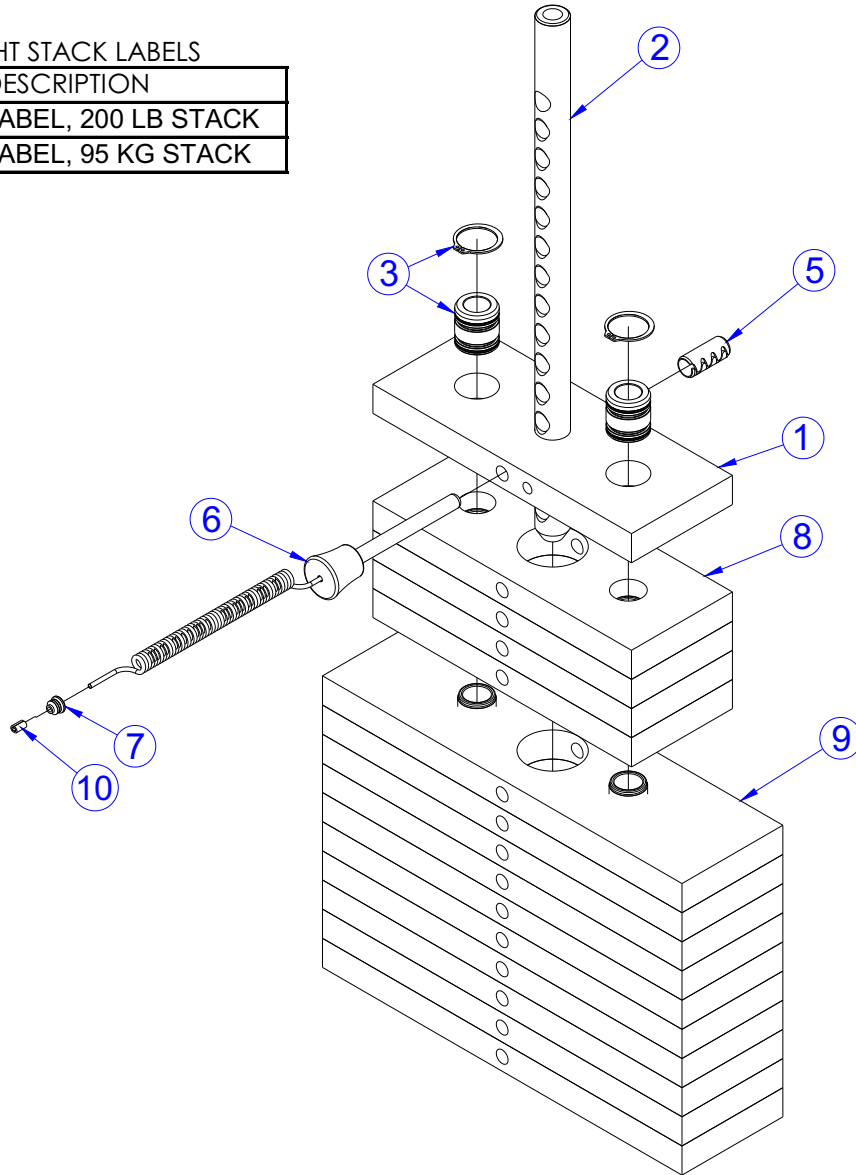


ITEM NO	QTY	PART NO	DESCRIPTION
1	2	7446501	ASSY, 5LB INCREMENT WEIGHT
2	1	8002601	PLATE, INCR. WT STRIKER
3	2	3236202	SCREW, M10 X1.5 25MM
4	2	3236801	NUT, M10 HEX NYLOCK SS
5	2	7767601	BUMPER, PS INCREMENT WT
6	2	3237401	PLUG, 7/16" HOLE

PSSPSE SHOULDER PRESS WEIGHT STACK ASSY 200LB - 7353401

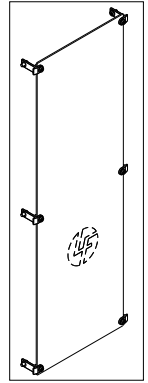
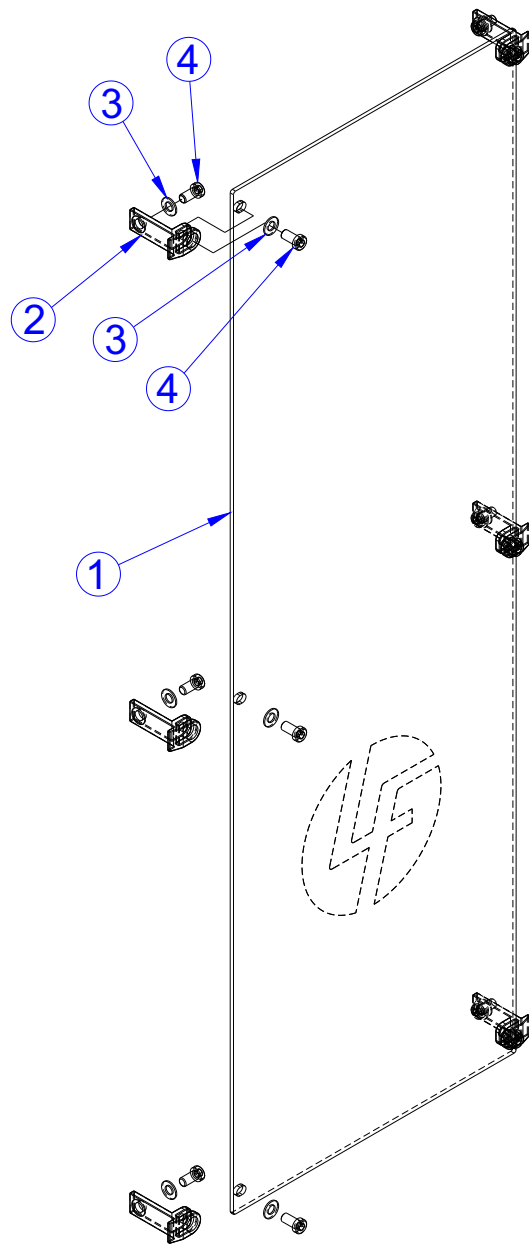
WEIGHT STACK LABELS

PART NO	DESCRIPTION
7987001	LABEL, 200 LB STACK
7987301	LABEL, 95 KG STACK



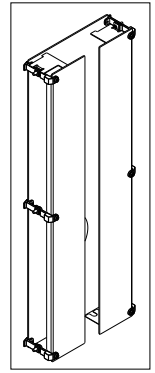
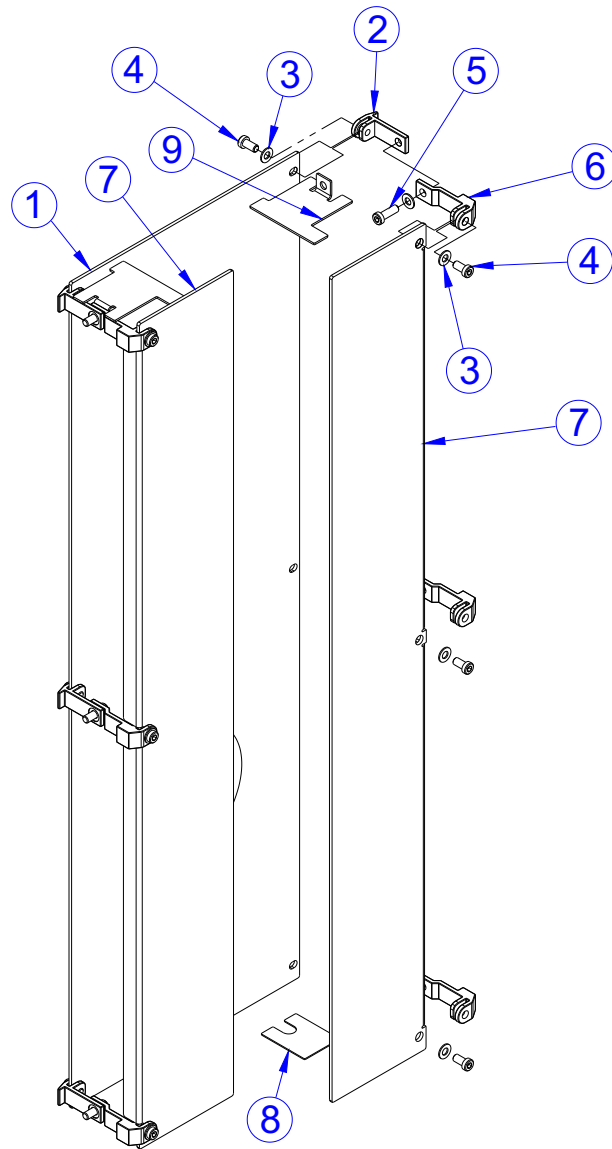
ITEM NO	QTY	PART NO	DESCRIPTION
1	1	7353901	HEADPLATE, WT. STACK
2	1	7352601	BAYONET, 14 PLATE
3	2 / 2	7338001	HEADPLATE BUSHING & CLIP
5	1	3236001	BUSHING, SPRING PIN
6	1	7353001	ASSY, SELECTOR PIN
7	1	7356501	PLUG, LANYARD ATTACHMENT
8	4	7353701	ASSY, 10 LB PLATE
9	10	7353801	ASSY, 15 LB PLATE
10	1	7523601	CRIMP, CABLE

PSSPSE SHOULDER PRESS REAR SHROUD KIT STD-MED - 7415202



ITEM NO	QTY	PART NO	DESCRIPTION
1	1	7376802	SHIELD, PS REAR
2	6	7655301	BRACKET, PS REAR SHIELD
3	12	3236601	WASHER, 3/8 SAE SS
4	12	3236201	SCREW , M10 X1.5 20MM

PSSPSE SHOULDER PRESS OPTIONAL FULL SHROUD KIT STD-MED - 7539602



ITEM NO.	QTY.	PART NO.	DESCRIPTION
1	1	7376802	SHIELD, PS REAR
2	6	7655301	BRACKET, PS REAR SHIELD
3	18	3236601	WASHER, 3/8 SAE SS
4	12	3236201	SCREW , M10 X1.5 20MM
5	6	3236203	SCREW , M10 X1.5 30MM
6	6	7376601	BRACKET, PS FRONT SHIELD
7	2	7376902	SHIELD, PS - FRONT
8	2	7570901	PLATE, PS SHIELD STAND-OFF
9	2	7657401	PLATE, PRO2 SHROUD SPCR

PSSPSE SHOULDER PRESS IMAGE

