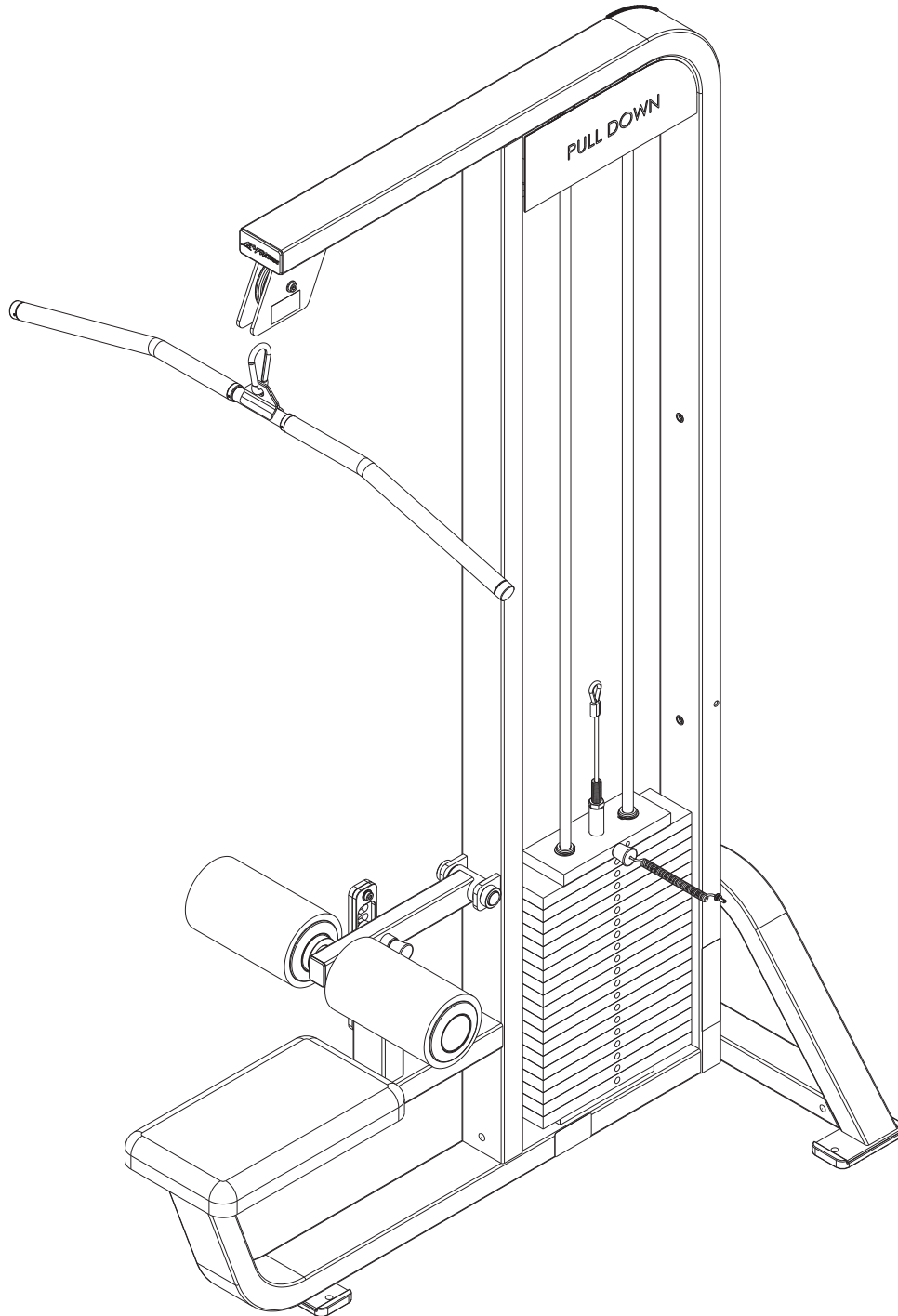




PRO 2 SERIES  
PSPD LAT PULLDOWN



Customer Support Services  
**PARTS MANUAL**

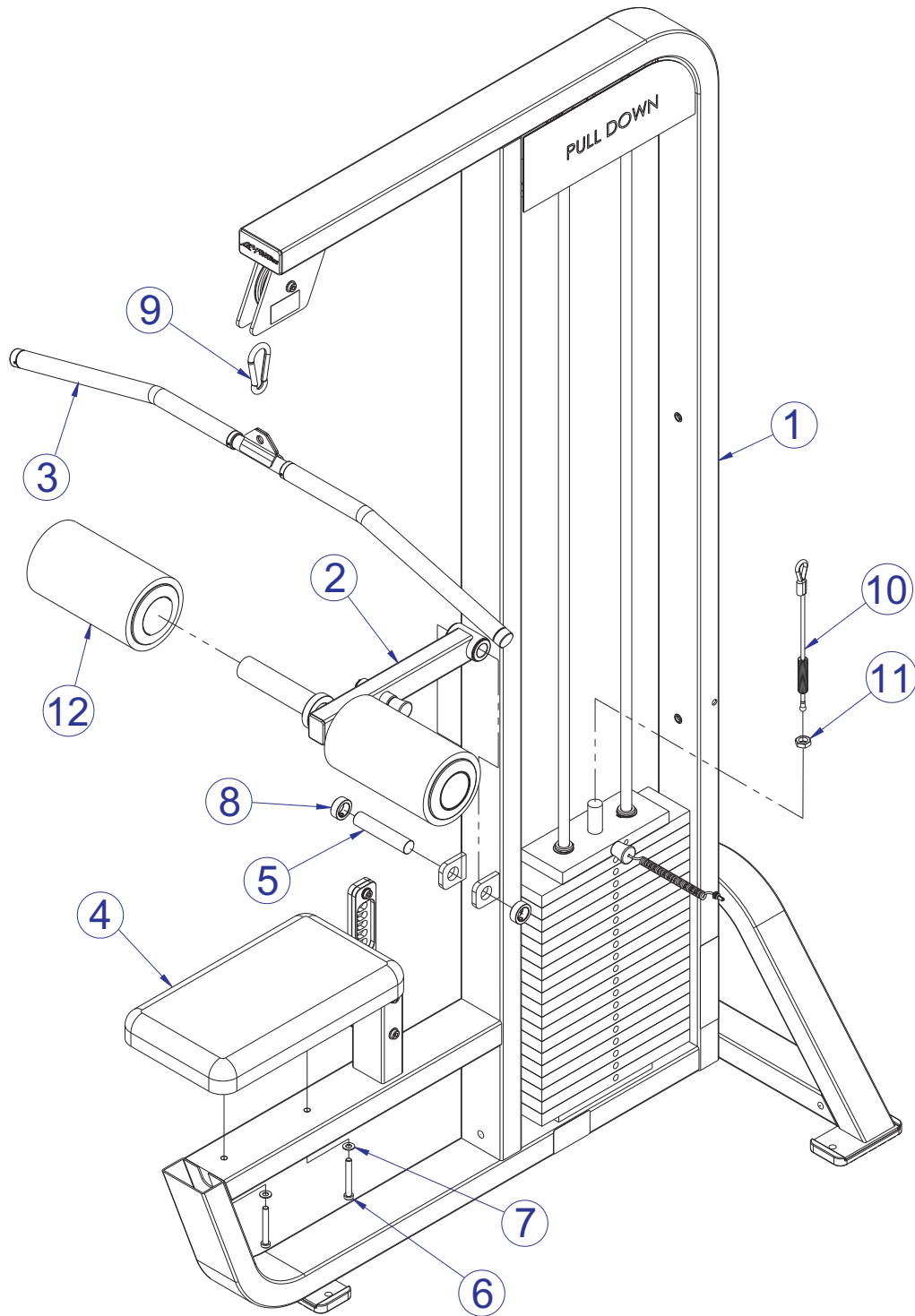
# PSPD LAT PULLDOWN CONTENTS

---

	Page
COMPONENT ASSEMBLY	3
COMPONENT ASSEMBLY LEGEND	4
MAIN FRAME ASSEMBLY	5
MAIN FRAME ASSEMBLY LEGEND	6
THIGH PULLDOWN ASSEMBLY	7
LAT BAR ASSEMBLY	8
ADD-ON INCREMENT WEIGHT ASSEMBLY	9
WEIGHT STACK (300LB)	11
OPTIONAL REAR SHROUD KIT	12

# PSPD LAT PULLDOWN COMPONENT ASSEMBLY

---



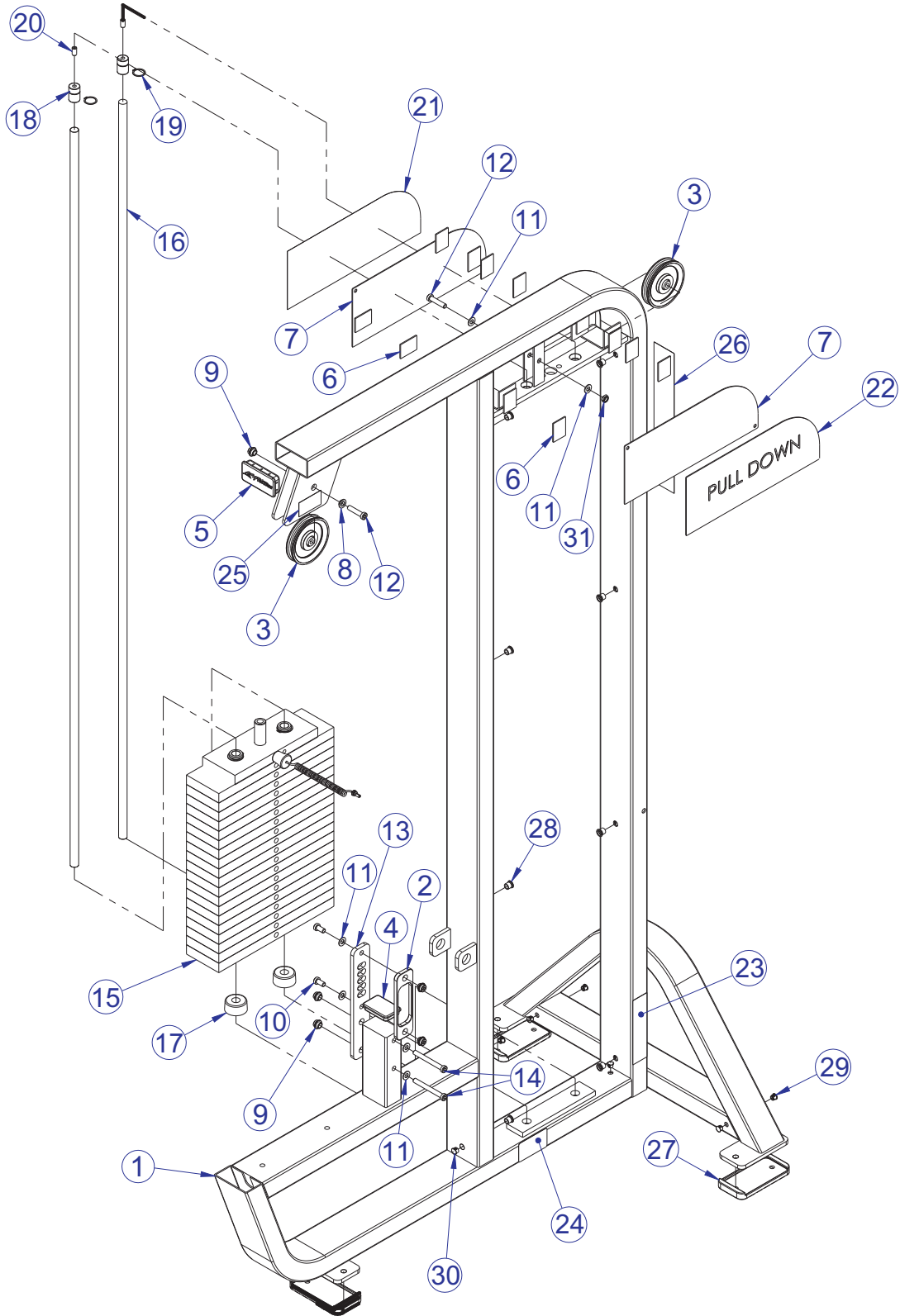
SEE PAGE 4 FOR LEGEND

# PSPD LAT PULLDOWN COMPONENT ASSEMBLY LEGEND

---

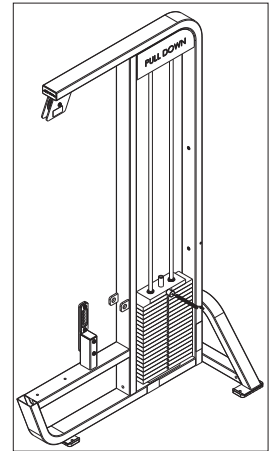
ITEM NO.	QTY.	PART NO.	DESCRIPTION
1	1	7441901	PTD ASSY, MAIN FRAME
2	1	7442201	PTD ASSY, THIGH HOLD DOWN
3	1	7442301	PTD ASSY, LAT BAR
4	1	72973XX	PAD, ASSY 18 X 10
5	1	7358201	SHAFT, 1 DIA X 4.88
6	2	3236212	SCREW, M10 X1.5 75MM
7	2	3236601	WASHER, 3/8 SAE SS
8	2	7435301	COLLAR, SHAFT 1.020 ID
9	1	3250201	SNAP LINK, 3/8" DIA
10	1	7423901	CABLE, PSPD
11	1	3236902	NUT, M16 X 2 HEX JAM SS
12	2	74247XX	ASSY, ROLLER PAD - SHORT

# PSPD LAT PULLDOWN MAIN FRAME ASSEMBLY - 7441901



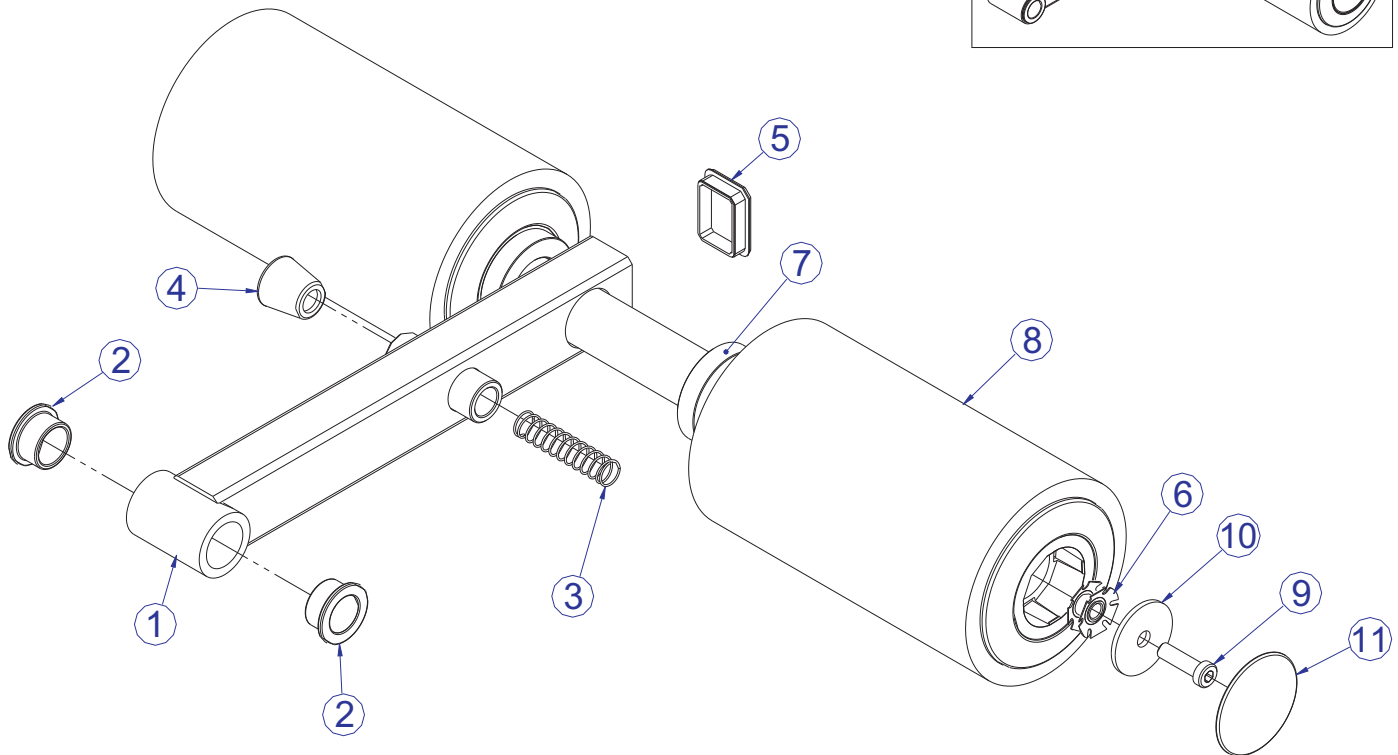
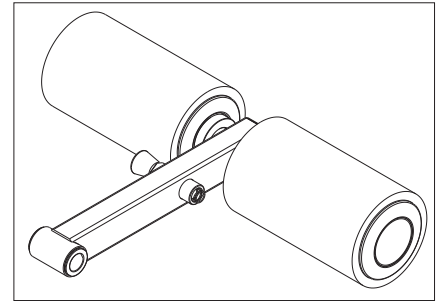
SEE PAGE 6 FOR LEGEND

# PSPD LAT PULLDOWN MAIN FRAME ASSEMBLY LEGEND



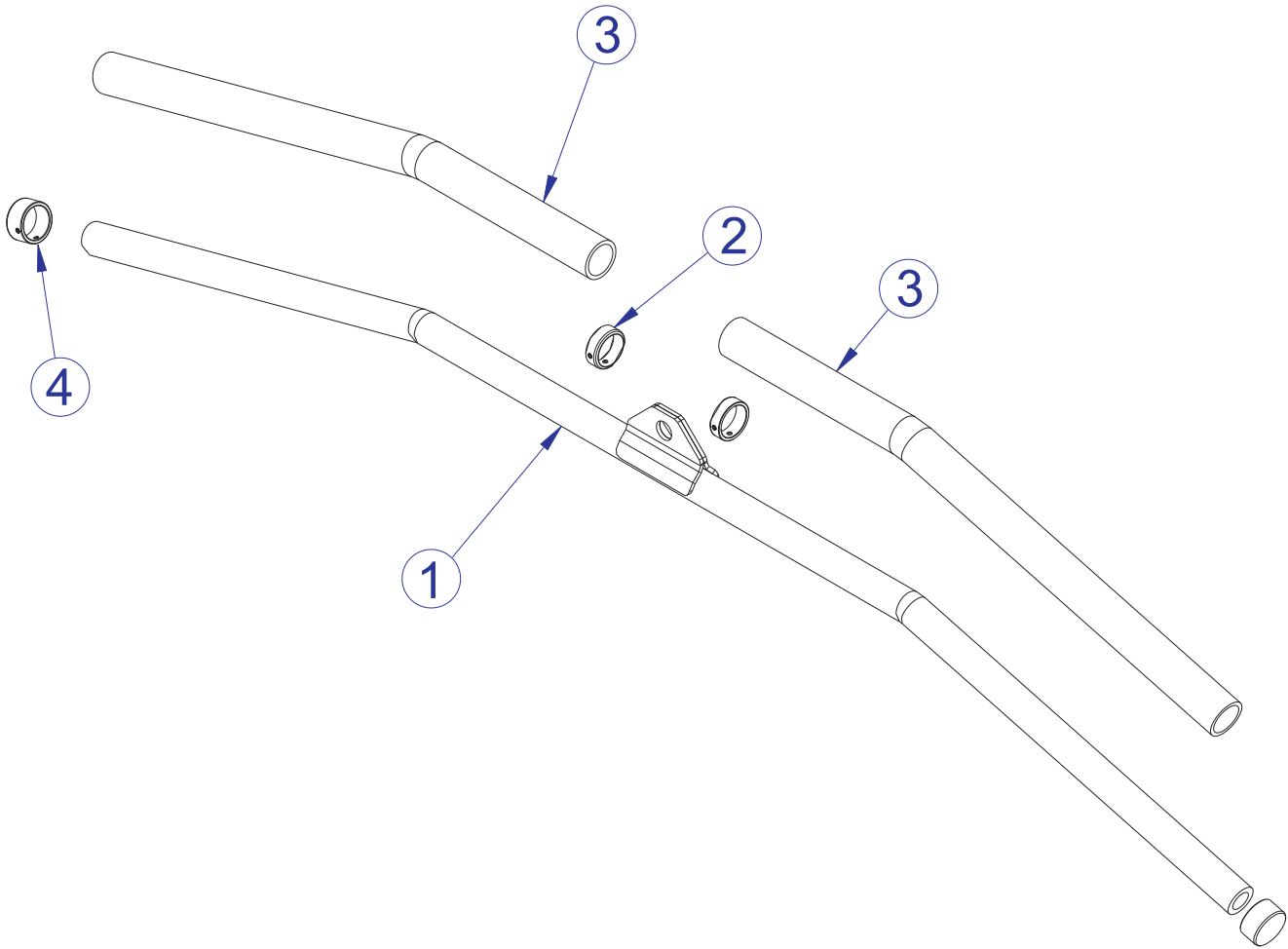
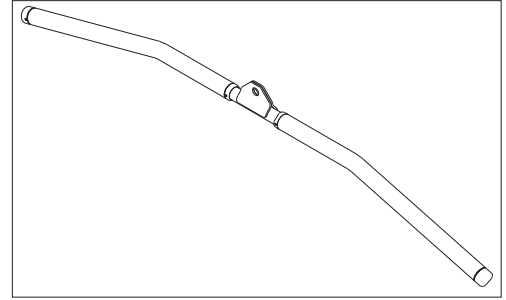
ITEM NO.	QTY.	PART NO.	DESCRIPTION
1	1	7365201	WLDMT-PSPD -MAIN FRAME
2	1	7350901	PLATE, SLOT STOP
3	2	3237801	PULLEY, 4.5" OD
4	1	7352301	CAP, END 2 X 3
5	1	7352401	CAP, END 2 X 4
6	12	7544202	PAD, DUAL LOCK 250 1.5" X 2.0"
7	2	7606602	COVER, STACK-PRO2 STD
8	1	7348101	WASHER, SPACER
9	5	7335401	NUT, M10 X 1.5 SOCKET HEAD
10	2	3236201	SCREW, M10 X1.5 20MM
11	6	3236601	WASHER, 3/8 SAE SS
12	2	3236206	SCREW, M10 X1.5 45MM
13	1	7357801	PLATE, 3/8X2 5 SLOT SELECTOR
14	2	3236215	SCREW, M10 X1.5 90MM
15	1	7353501	ASSY, 300LB STACK
16	2	7328607	GUIDE ROD, .75 OD SOLID 78.75
17	2	7352101	CUSHION, WEIGHT STACK
18	2	7402301	RETAINER, GUIDEROD
19	2	3232421	RING, BRE .940, 5100-100 ST PP B
20	2	3240501	M10 X 1.5 HXS NO CUP ST BO
21	1	7490701	LABEL, PSPD LOGO PANEL
22	1	7442001	LABEL, PSPD PLACARD
23	1	7422004	LABEL, 2" ASTM WARN
24	1	7571301	LABEL, SERIAL NUMBER
25	1	7422003	LABEL, MOVING PARTS
26	1	7348001	LABEL, LIFE FITNESS LOGO
27	3	7388201	FOOTPAD, PS RUBBER
28	8	3238101	NUT, BLIND INSERT M10 X 1.5
29	5	3237401	PLUG, 7/16" HOLE
30	2	3237402	PLUG, HOLE
31	1	3236901	NUT, M10 X 1.5 JAM

# PSPD LAT PULLDOWN THIGH PULLDOWN ASSEMBLY - 7442201



ITEM NO.	QTY.	PART NO.	DESCRIPTION
1	1	7365501	WLDMT, PSPD -HOLD DOWN
2	2	3104903	1.00" ID 1.25" OD BRONZ BUSHING
3	1	7351501	SPRING; PULL PIN LARGE
4	1	7351401	KNOB, TULIP STYLE
5	1	7352201	CAP, END 1-1/2 X 2
6	2	7347301	NUT, SPIDER M10 X 1.5
7	2	7357901	SHAFT COLLAR, 1-1/2" ID ALUM
8	2	74247xx	ASSY, ROLLER PAD - SHORT
9	2	3236204	SCREW, M10 X1.5 35MM
10	2	7322301	PLATE, 1.97 OD X .44 ID 10GA
11	2	7308701	CAP, BEARING HOUSING

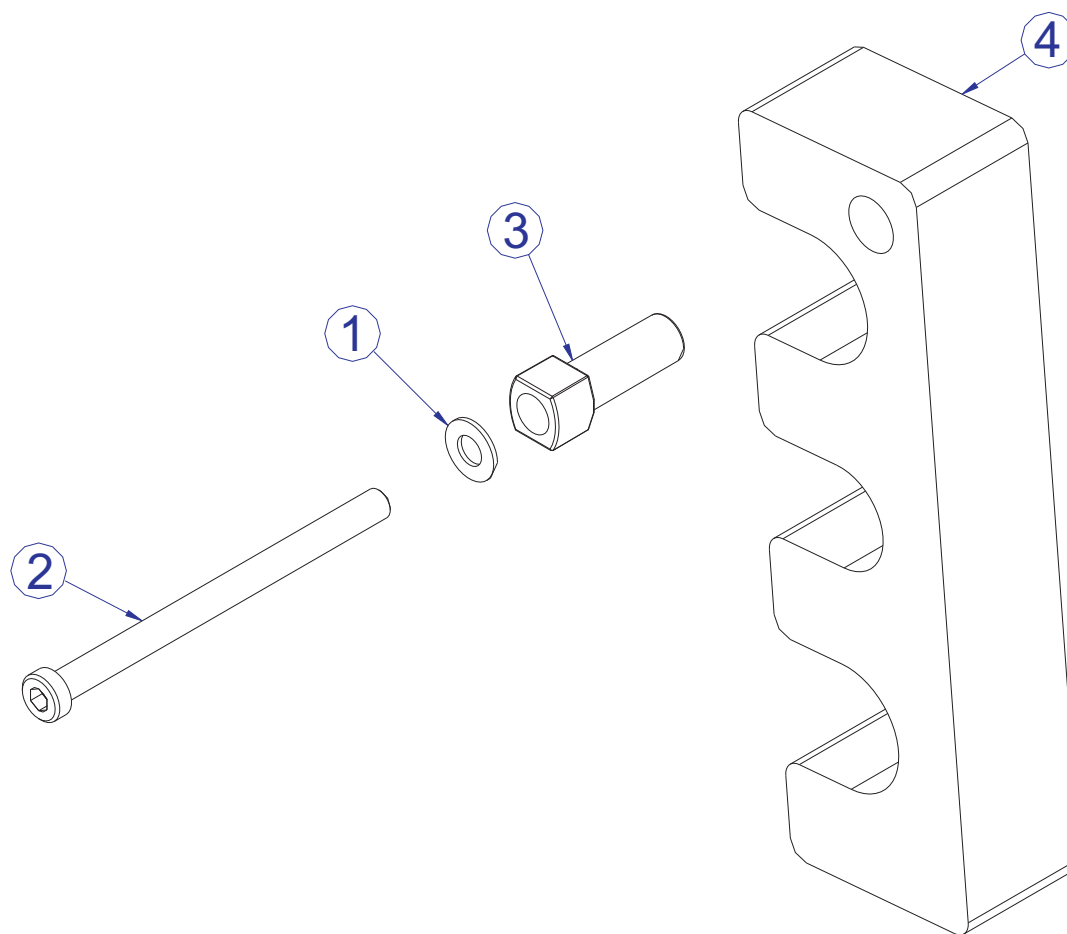
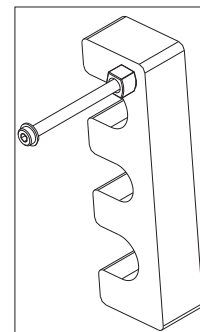
# PSPD LAT PULLDOWN LAT BAR ASSEMBLY - 7442301



ITEM NO.	QTY.	PART NO.	DESCRIPTION
1	1	7365795	WLDMT-PSPD -LAT BAR
2	2	7662801	RING, GRIP 1.25 OD
3	2	3235801	GRIP, TBC
4	2	7662900	CAP, GRIP



# PSPD LAT PULLDOWN ADD-ON INCREMENT WEIGHT ASSEMBLY - 7415001

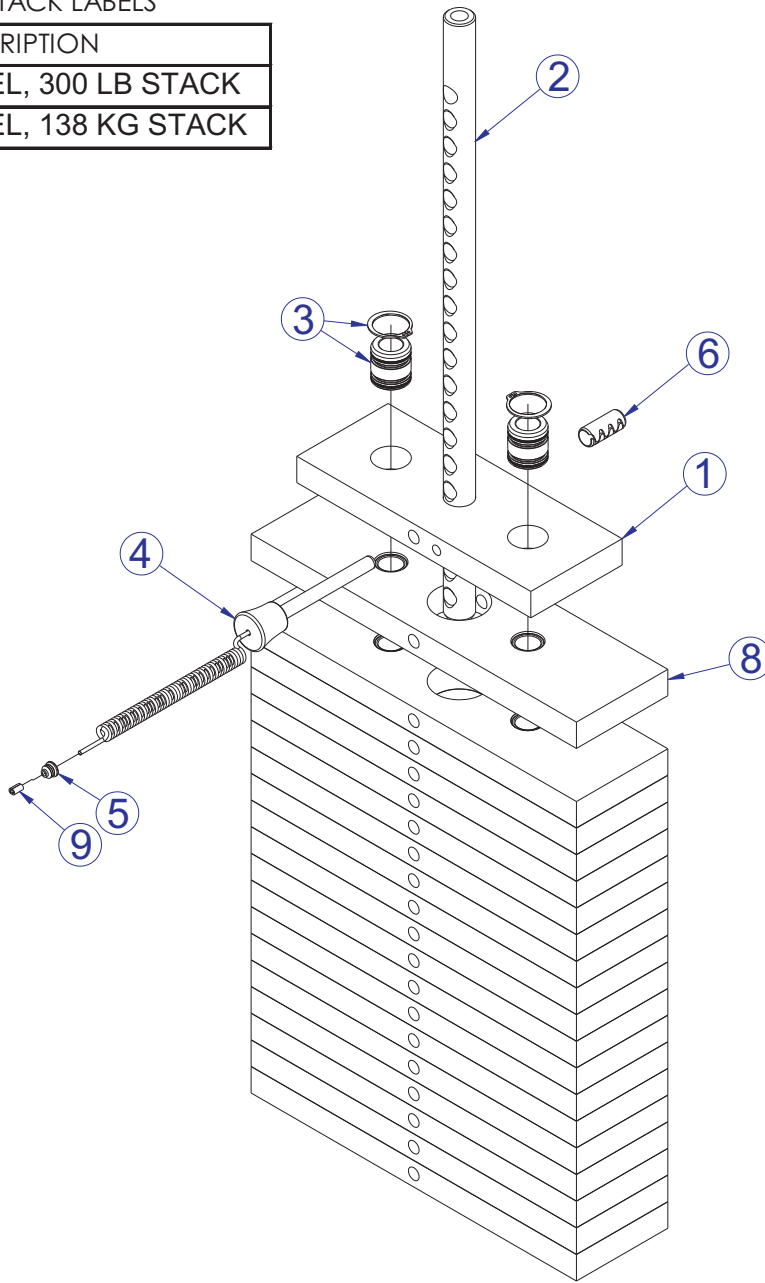
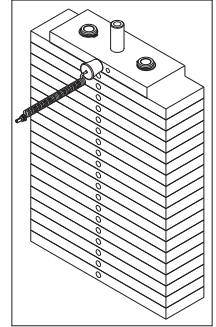


ITEM NO.	QTY.	PART NO.	DESCRIPTION
1	1	3236601	WASHER, 3/8 SAE SS
2	1	3236221	SCREW, M10 X1.5 140MM
3	1	7401701	COVER, PLASTIC PEG 2-1/4
4	1	7366101	WEIGHT, 7.5 LB. ADD-ON

# PSPD LAT PULLDOWN WEIGHT STACK ASSY 300LB - 7353501

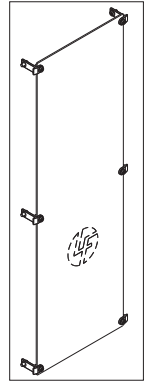
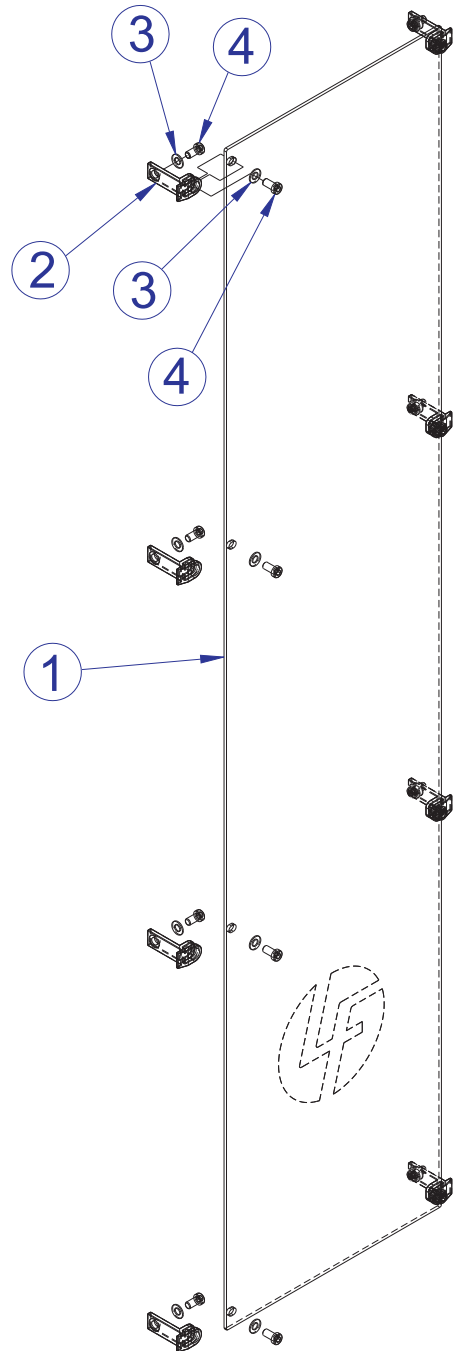
## WEIGHT STACK LABELS

PART NO.	DESCRIPTION
7987201	LABEL, 300 LB STACK
7987401	LABEL, 138 KG STACK



ITEM NO.	QTY.	PART NO.	DESCRIPTION
1	1	7353901	HEADPLATE, WT. STACK
2	1	7356600	STEM, PRO2 19 HOLE
3	2	7338001	BUSHING, HEADPLATE
4	1	7353001	ASSY, SELECTOR PIN
5	1	7356501	PLUG, LANYARD ATTACHMENT
6	1	3236001	BUSHING, SPRING PIN
8	19	7353801	ASSY, 15 LB PLATE
9	1	7523601	CRIMP, CABLE

# PSPD LAT PULLDOWN OPTIONAL REAR SHROUD KIT XL - 7442501



ITEM NO	QTY	PART NO	DESCRIPTION
1	1	8352601	SHROUD, PSPD REAR
2	8	7655301	BRKT, PS REAR SHIELD
3	16	3236601	WASHER, 3/8 SAE STAINLESS STEEL
4	16	3236201	M10 X 1.5 X 20 HXS SOC CS SS