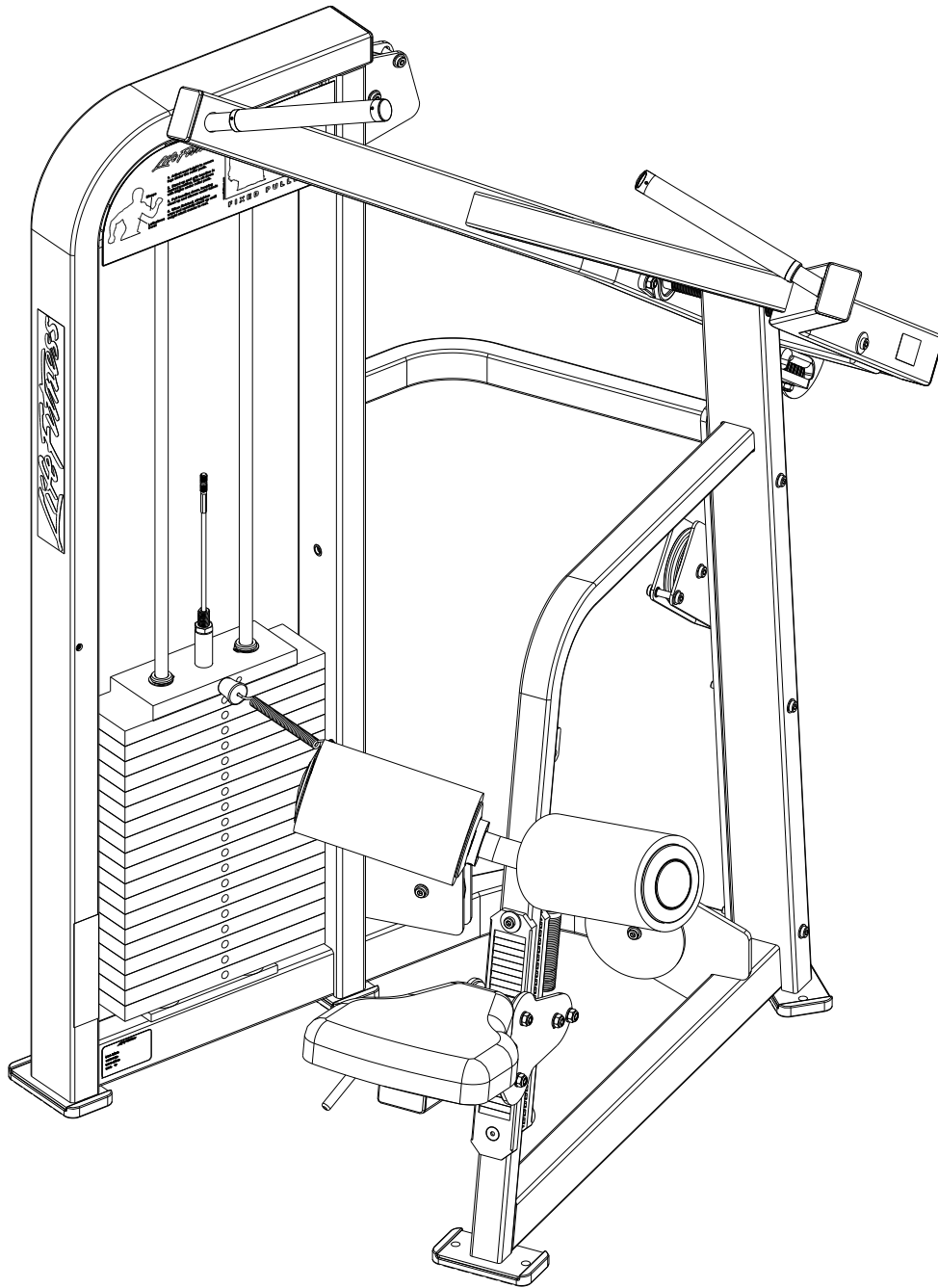




PRO 2 SERIES
PSFPDSE FIXED PULL DOWN

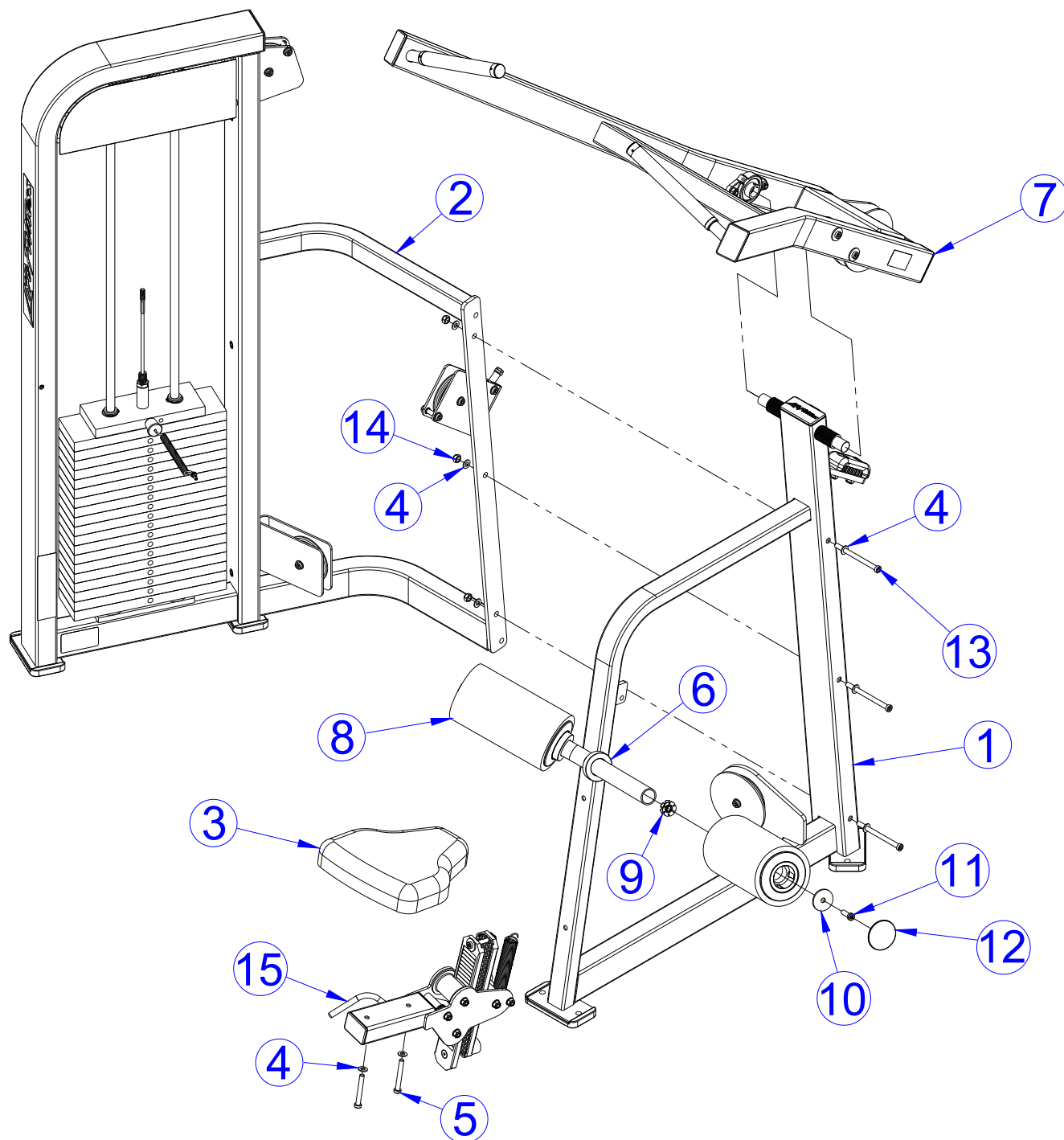


Customer Support Services
PARTS MANUAL

PSFPDSE FIXED PULL DOWN CONTENTS

	Page
COMPONENT ASSEMBLY	3
COMPONENT ASSEMBLY LEGEND	4
SIDE FRAME ASSEMBLY	5
SIDE FRAME ASSEMBLY LEGEND	6
SEAT FRAME ASSEMBLY	7
SEAT FRAME ASSEMBLY LEGEND	8
90° ROLLER SEAT ASSEMBLY	9
90° ROLLER SEAT ASSEMBLY LEGEND	10
WORK ARM ASSEMBLY	11
WORK ARM ASSEMBLY LEGEND	12
5LB INCREMENT WEIGHT ASSEMBLY	13
INCREMENT WEIGHT ASSEMBLY W/STRIKER	14
WEIGHT STACK (300LB)	15
REAR SHROUD KIT	16
OPTIONAL FULL SHROUD KIT	17
IMAGE	18

PSFPDSE FIXED PULL DOWN COMPONENT ASSEMBLY

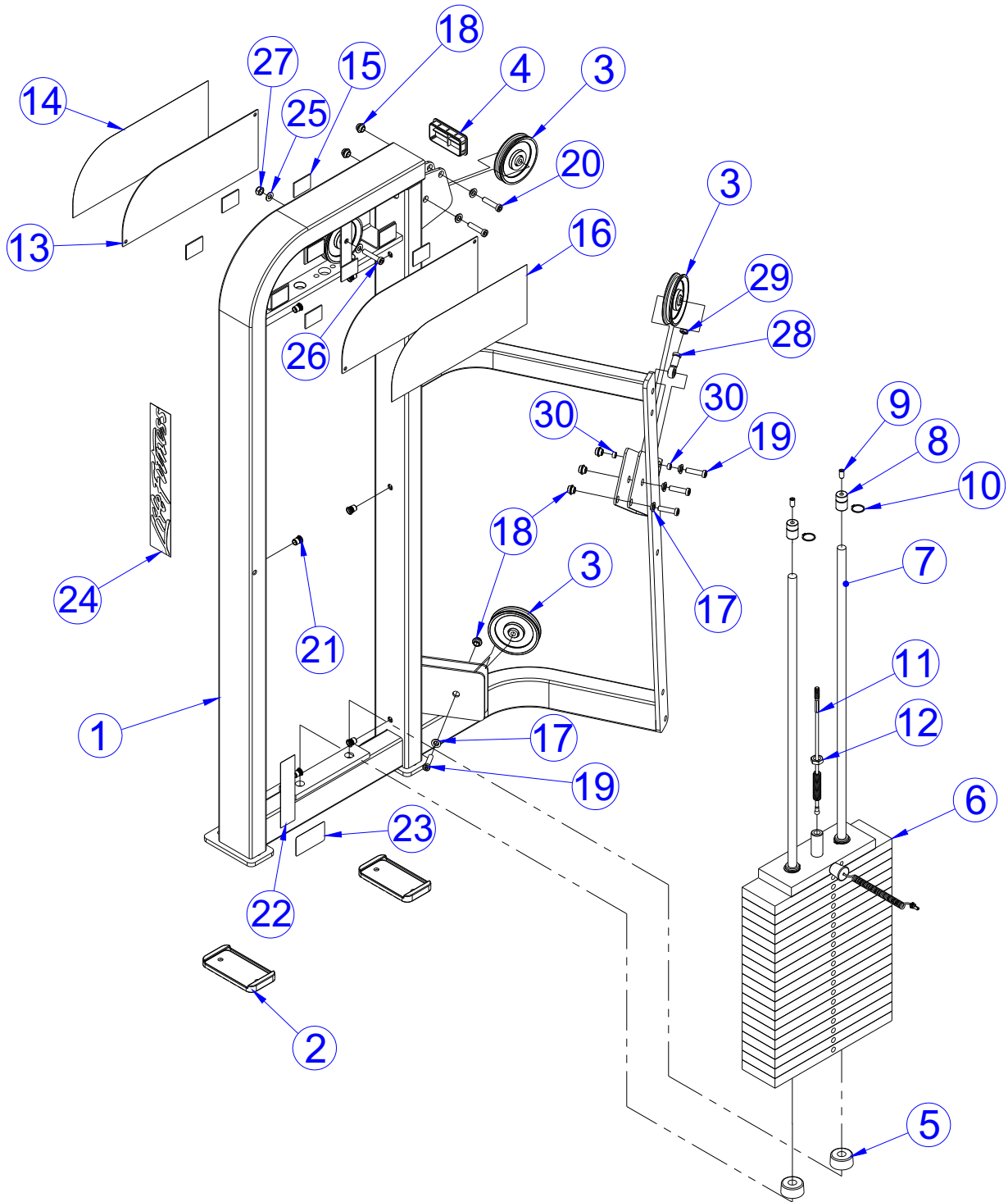


SEE PAGE 4 FOR LEGEND

PSFPDSE FIXED PULL DOWN COMPONENT ASSEMBLY LEGEND

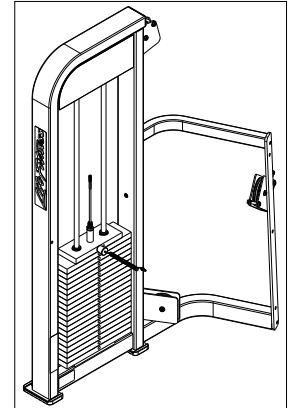
ITEM NO.	QTY.	PART NO.	DESCRIPTION
1	1	7783101	ASSY, PSFPD SEAT FRAME
2	1	7784001	ASSY, PSFPD SIDE FRAME
3	1	73519xx	PAD, SADDLE
4	8	3236601	WASHER, 3/8 SAE SS
5	2	3236212	SCREW, M10 X1.5 75MM
6	2	7357901	SHAFT COLLAR, 1-1/2" ID ALUM
7	1	7784801	ASSY, PSFPD WRKARM
8	2	74247xx	ASSY, ROLLER PAD - SHORT
9	2	7347301	NUT, SPIDER M10 X 1.5
10	2	7322301	PLATE, 1.97 OD X .44 ID 10GA
11	2	3236204	SCREW, M10 X1.5 35MM
12	2	7308701	CAP, BEARING HOUSING
13	3	3236220	SCREW, M10 X1.5 130MM
14	3	3236801	NUT, M10 HEX NYLOCK SS
15	1	7396701	ASSY, 90 DEG ROLLER SEAT

PSFPDSE FIXED PULL DOWN SIDE FRAME ASSEMBLY - 7784001



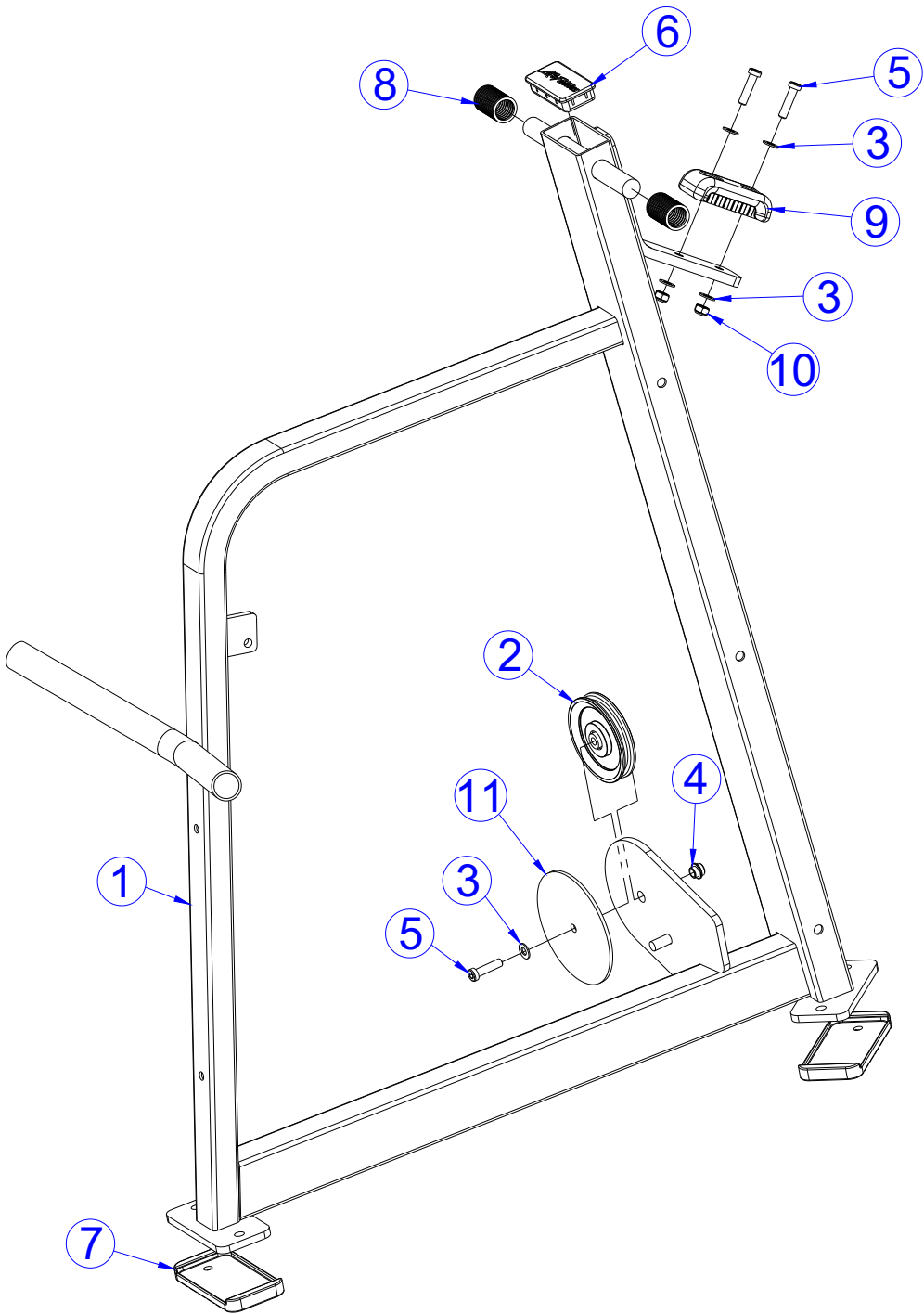
SEE PAGE 6 FOR LEGEND

PSFPDSE FIXED PULL DOWN SIDE FRAME ASSEMBLY LEGEND



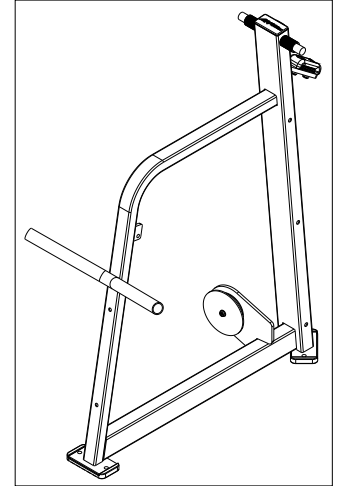
ITEM NO.	QTY.	PART NO.	DESCRIPTION
1	1	7784101	WLDMT, PSFPD SIDE FRAME
2	2	7388201	FOOTPAD, PS RUBBER
3	4	3237801	PULLEY, 4.5" OD
4	1	7352401	CAP, END 2 X 4
5	2	7352101	CUSHION, WEIGHT STACK
6	1	7353501	ASSY, 300LB STACK
7	2	7328605	GUIDE ROD, .75 OD SOLID 52.38
8	2	7402301	RETAINER, GUIDEROD
9	2	3240501	M10 X 1.5 HXS NO CUP ST BO
10	2	3232421	RING, BRE .940, 5100-100 ST PP B
11	1	7915701	CABLE, PSFPD 177-1/2
12	1	3236902	NUT, M16 X 2 HEX JAM SS
13	2	7606602	COVER, STACK-PRO2 STD
14	1	7794101	LABEL, PSFPD LOGO PANEL
15	12	7544202	PAD, DUAL LOCK 250 1.5" X 2.0"
16	1	7784701	LABEL, PSFPD PLACARD
17	6	7348101	WASHER, SPACER
18	6	7335401	NUT, M10 X 1.5 SOCKET HEAD
19	4	3236205	SCREW, M10 X1.5 40MM
20	2	3236206	SCREW, M10 X1.5 45MM
21	6	3238101	NUT, BLIND INSERT M10 X 1.5
22	1	7422000	LABEL, 2" ASTM WARN
23	1	7571301	LABEL, SERIAL NUMBER
24	1	7348001	LABEL, LIFE FITNESS LOGO
25	2	3236601	WASHER, 3/8 SAE SS
26	1	3236207	SCREW, M10 X1.5 50MM
27	1	3236801	NUT, M10 HEX NYLOCK SS
28	1	3237901	ROD END, METRIC FEMALE
29	1	3236901	NUT, M10 X 1.5 JAM
30	2	7489402	BSHNG, .500 OD X .402 ID

PSFPDSE FIXED PULL DOWN SEAT FRAME ASSEMBLY - 7783101



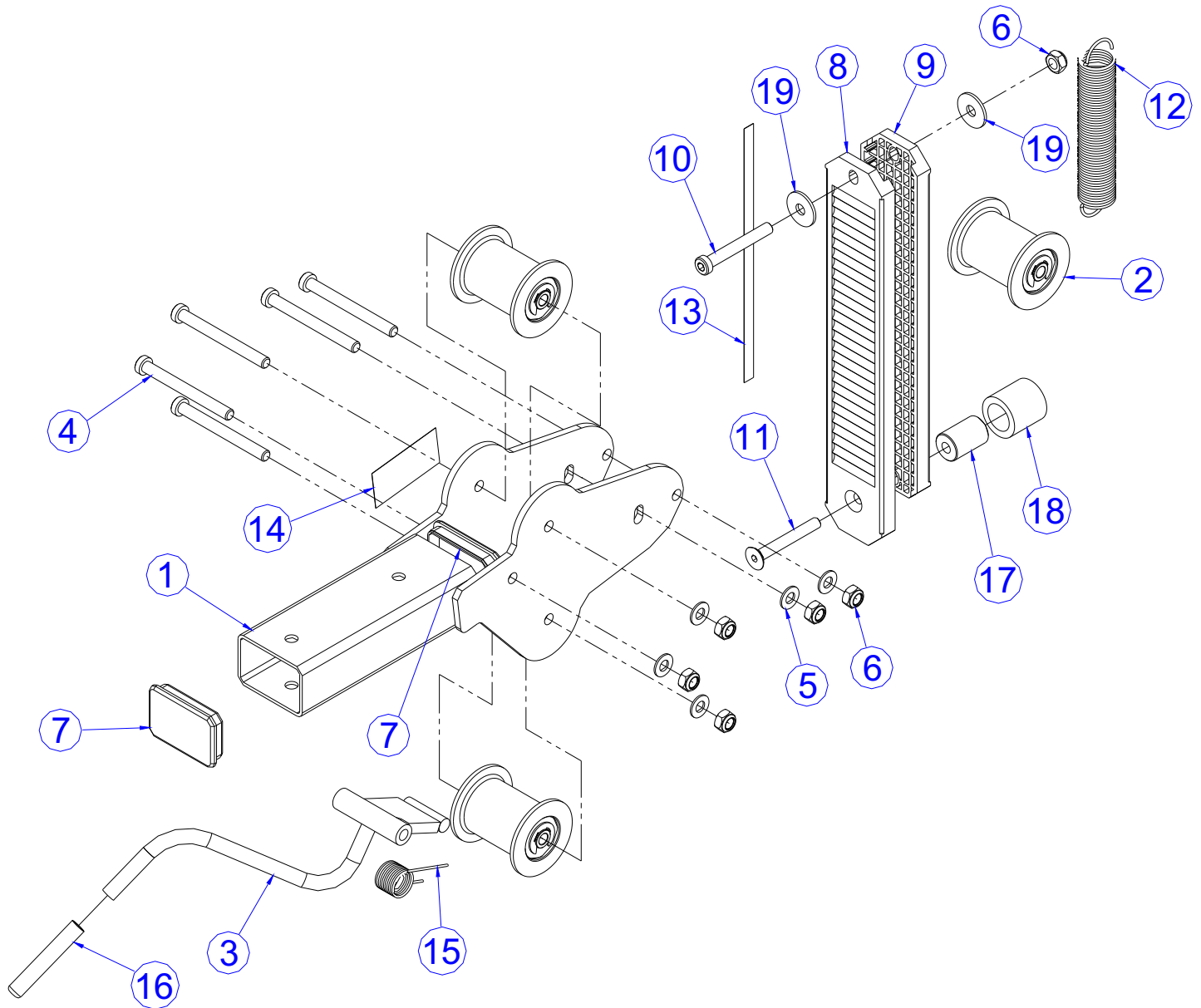
SEE PAGE 8 FOR LEGEND

PSFPDSE FIXED PULL DOWN SEAT FRAME ASSEMBLY LEGEND



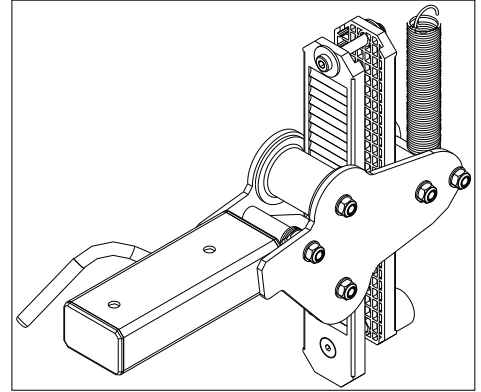
ITEM NO.	QTY.	PART NO.	DESCRIPTION
1	1	7783201	WLDMT, PSFPD SEAT FRAME
2	1	3237801	PULLEY, 4.5" OD
3	5	3236601	WASHER, 3/8 SAE SS
4	1	7335401	NUT, M10 X 1.5 SOCKET HEAD
5	3	3236205	SCREW, M10 X1.5 40MM
6	1	7352401	CAP, END 2 X 4
7	2	7388201	FOOTPAD, PS RUBBER
8	2	6912804	SLEEVE, ACCRDN 1.0 ID X 2
9	1	7352001	BUMPER, 2-1/8 X 4-5/8
10	2	3236801	NUT, M10 HEX NYLOCK SS
11	1	7301101	PLATE, PULLEY

PSFPDSE FIXED PULL DOWN 90 DEGREE ROLLER SEAT ASSEMBLY - 7396701



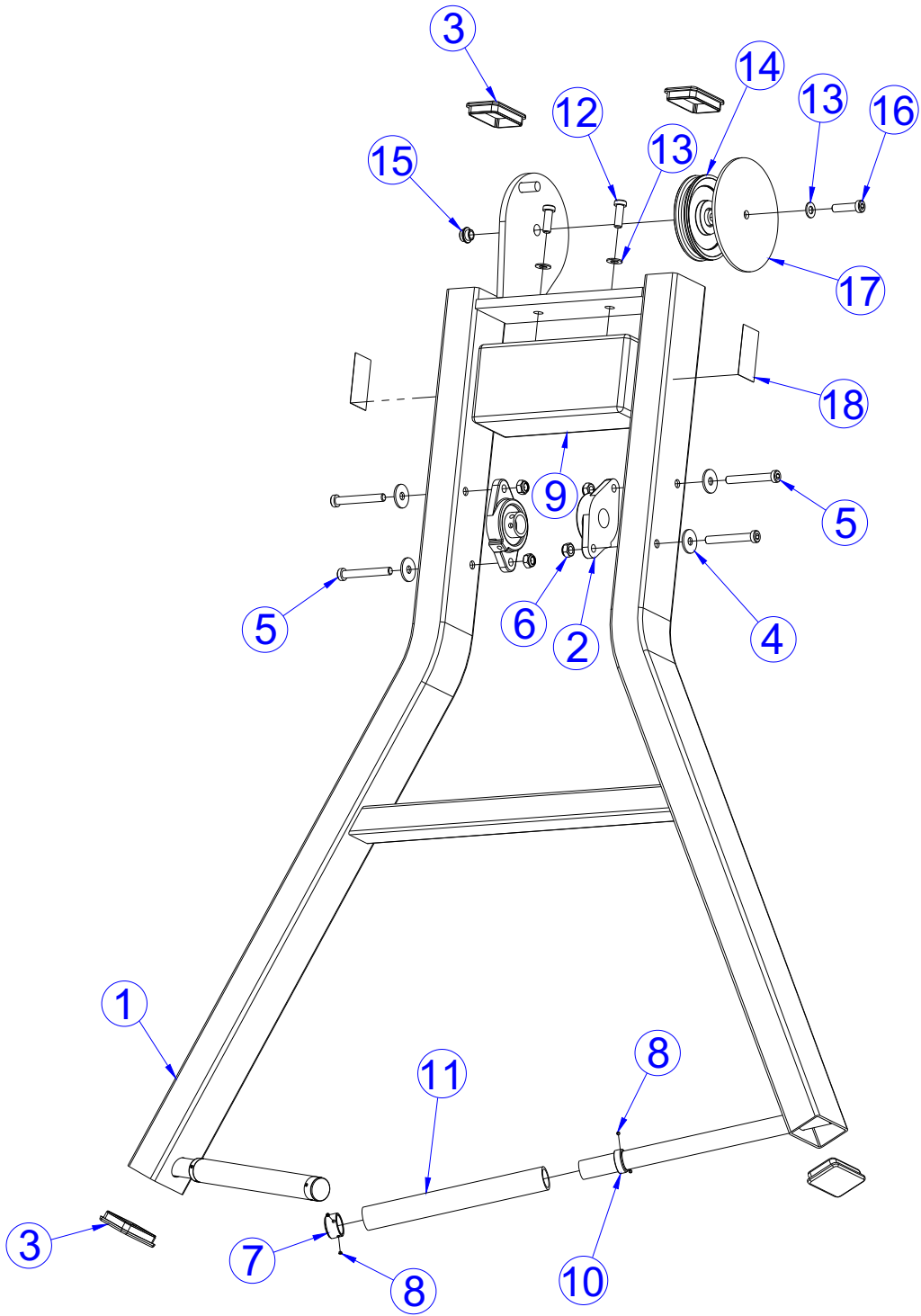
SEE PAGE 10 FOR LEGEND

PSFPDSE FIXED PULL DOWN 90 DEGREE ROLLER SEAT ASSEMBLY LEGEND



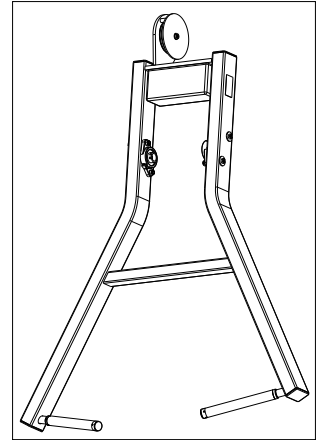
ITEM NO.	QTY.	PART NO.	DESCRIPTION
1	1	7396801	WELDMNT, 90 DEG ROLLER SEAT
2	3	7564201	ASSY, SEAT ROLLER
3	1	7387595	WELDMNT, PS-ROLLER SEAT HANDLE
4	5	3236217	SCREW, M10 X1.5 100MM
5	5	3236601	WASHER, 3/8 SAE SS
6	6	3236801	NUT, M10 HEX NYLOCK SS
7	2	7352301	CAP, END 2 X 3
8	1	7564301	SEATRACK, ROLLER SERRATED
9	1	7564401	SEATRACK, FLAT
10	1	3236212	SCREW, M10 X1.5 75MM
11	1	3238312	M10x1.5x75mm
12	1	7442601	SPRING, PRO2 ROLLER SEAT
13	1	7422002	LABEL, SEAT ADJUST
14	1	7422001	LABEL, SEAT INST
15	1	7442701	SPRNG, PRO2 HANDLE TORSION
16	1	3238502	CAP, 1/2 X 3
17	1	7570601	STOP, ROLLER SEAT
18	1	3235802	GRIP, SHADOW GRAY, 1.5"
19	2	3236602	WASHER, 3/8 ID X 1.25 OD SS

PSFPDSE FIXED PULL DOWN WORK ARM ASSEMBLY - 7784801



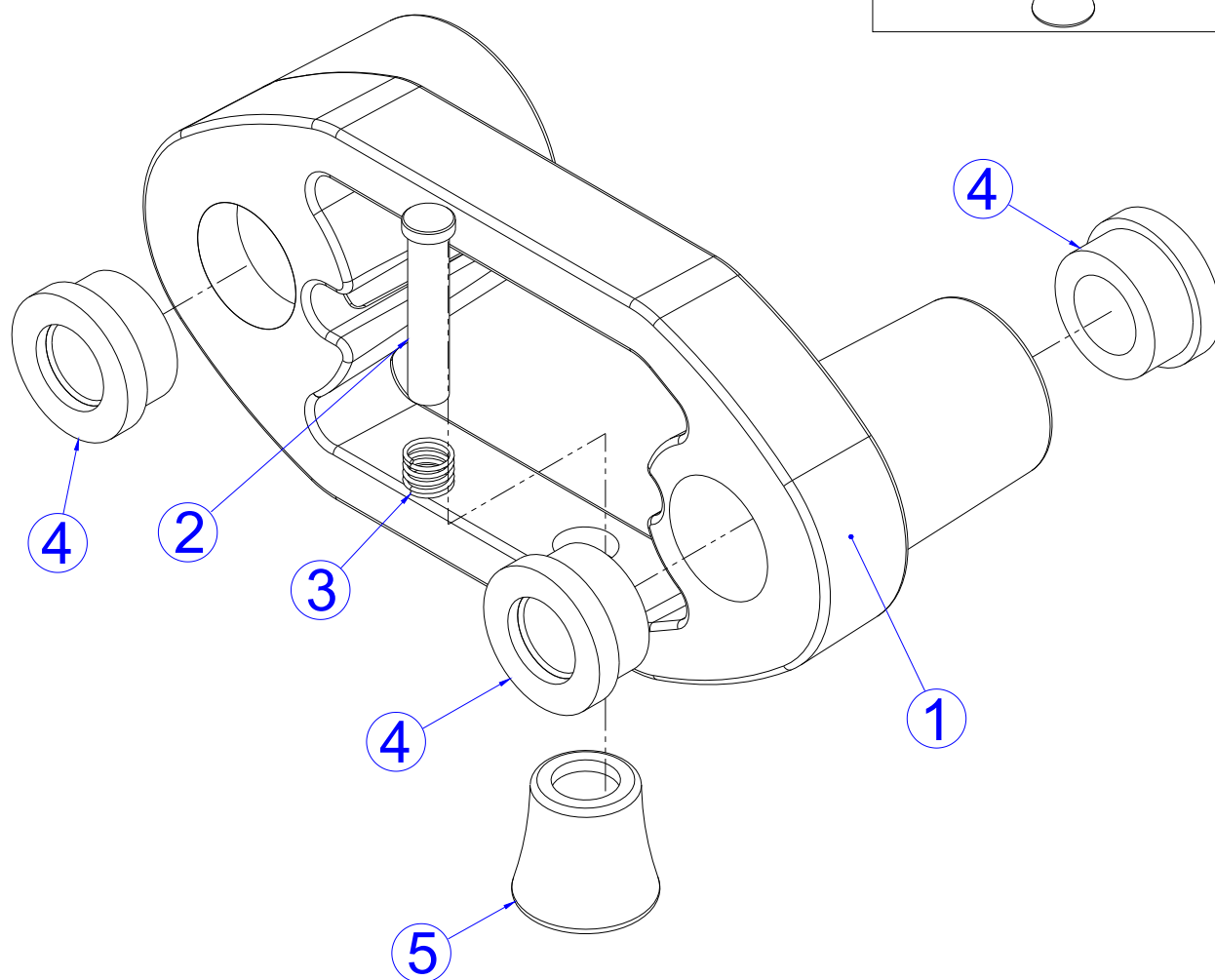
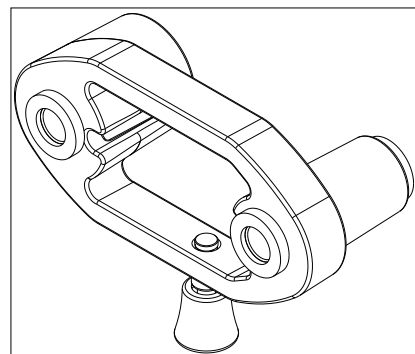
SEE PAGE 12 FOR LEGEND

PSFPDSE FIXED PULL DOWN WORK ARM ASSEMBLY LEGEND



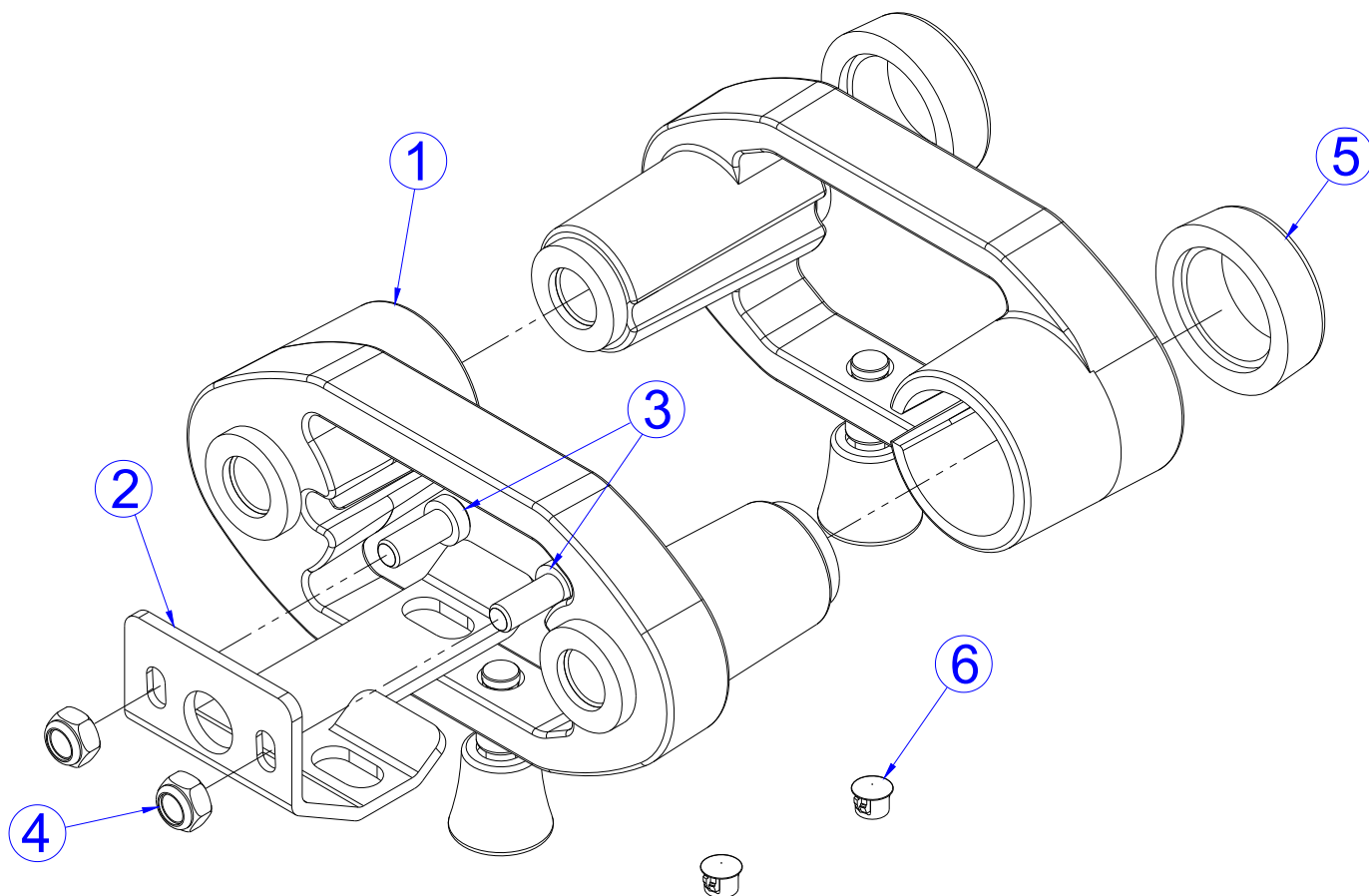
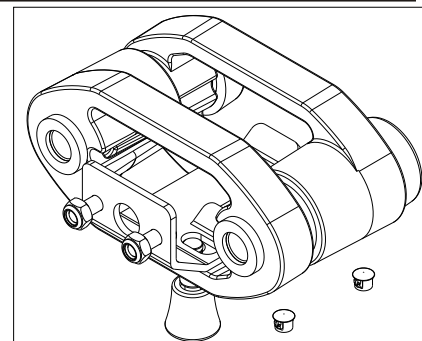
ITEM NO.	QTY.	PART NO.	DESCRIPTION
1	1	7784901	WLDMT, PSFPD WRKARM
2	2	3237701	ASSY, PILLOW BLOCK 4.88 X 2.75
3	4	7352301	CAP, END 2 X 3
4	4	3236602	WASHER, 3/8 ID X 1.25 OD SS
5	4	3236212	SCREW, M10 X1.5 75MM
6	4	3236801	NUT, M10 HEX NYLOCK SS
7	2	7662901	CAP, GRIP 1.25 OD
8	8	3247701	M4 X .7 HXS NO CUP ST BO
9	1	7802501	WEIGHT, COUNTER LG
10	2	7662801	RING, GRIP 1.25 OD
11	2	3235801	GRIP, 1" ID X 1.25 OD
12	2	3236203	SCREW, M10 X1.5 30MM
13	3	3236601	WASHER, 3/8 SAE SS
14	1	3237801	PULLEY, 4.5" OD
15	1	7335401	NUT, M10 X 1.5 SOCKET HEAD
16	1	3236205	SCREW, M10 X1.5 40MM
17	1	7301101	PLATE, PULLEY
18	2	7422003	LABEL, MOVING PARTS

PSFPDSE FIXED PULL DOWN 5LB INCREMENT WEIGHT ASSEMBLY - 7446501



ITEM NO	QTY	PART NO	DESCRIPTION
1	1	7446602	BODY, 5LB INCREMENT WEIGHT
2	1	7446901	PIN, RETAINING
3	1	7447001	SPRING, COMPRESSION
4	3	7560001	BUSHING, MTS, INC WEIGHT
5	1	7351401	KNOB, TULIP STYLE

PSFPDSE FIXED PULL DOWN INCREMENT WEIGHT W/STRIKER - 7415101

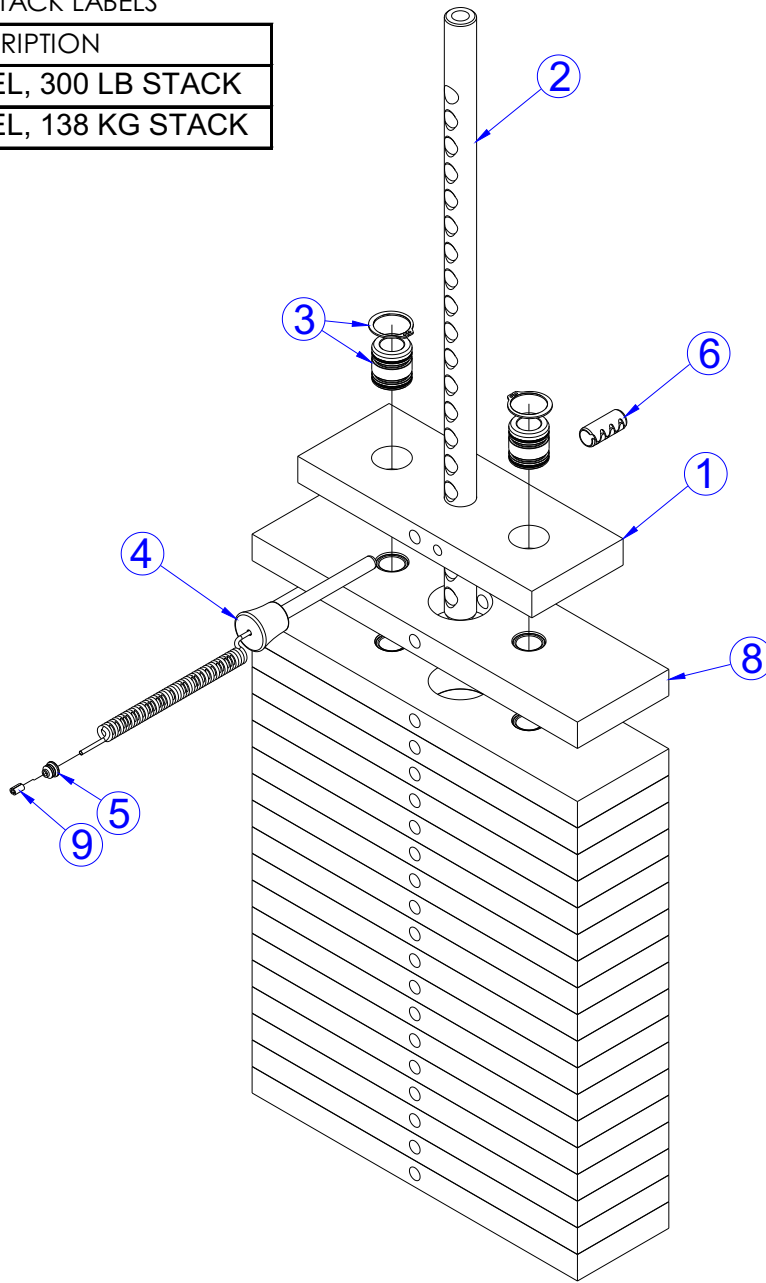
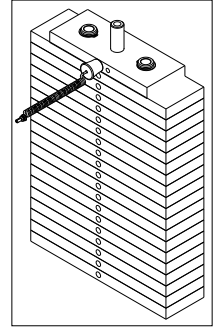


ITEM NO	QTY	PART NO	DESCRIPTION
1	2	7446501	ASSY, 5LB INCREMENT WEIGHT
2	1	8002601	PLATE, INCR. WT STRIKER
3	2	3236202	SCREW, M10 X1.5 25MM
4	2	3236801	NUT, M10 HEX NYLOCK SS
5	2	7767601	BUMPER, PS INCREMENT WT
6	2	3237401	PLUG, 7/16" HOLE

PSFPDSE FIXED PULL DOWN WEIGHT STACK ASSY 300LB - 7353501

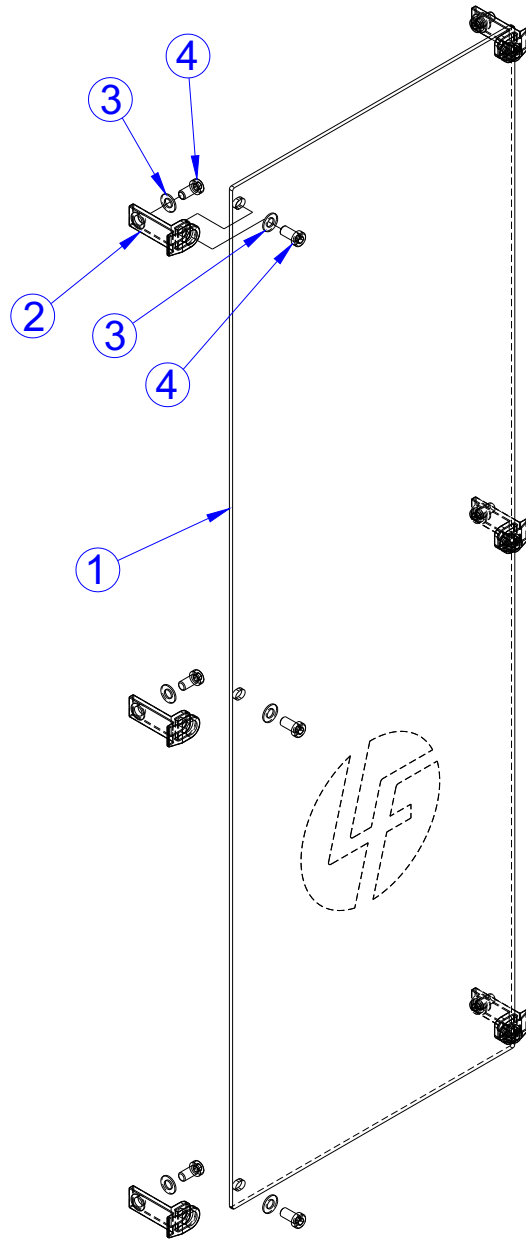
WEIGHT STACK LABELS

PART NO.	DESCRIPTION
7987201	LABEL, 300 LB STACK
7987401	LABEL, 138 KG STACK



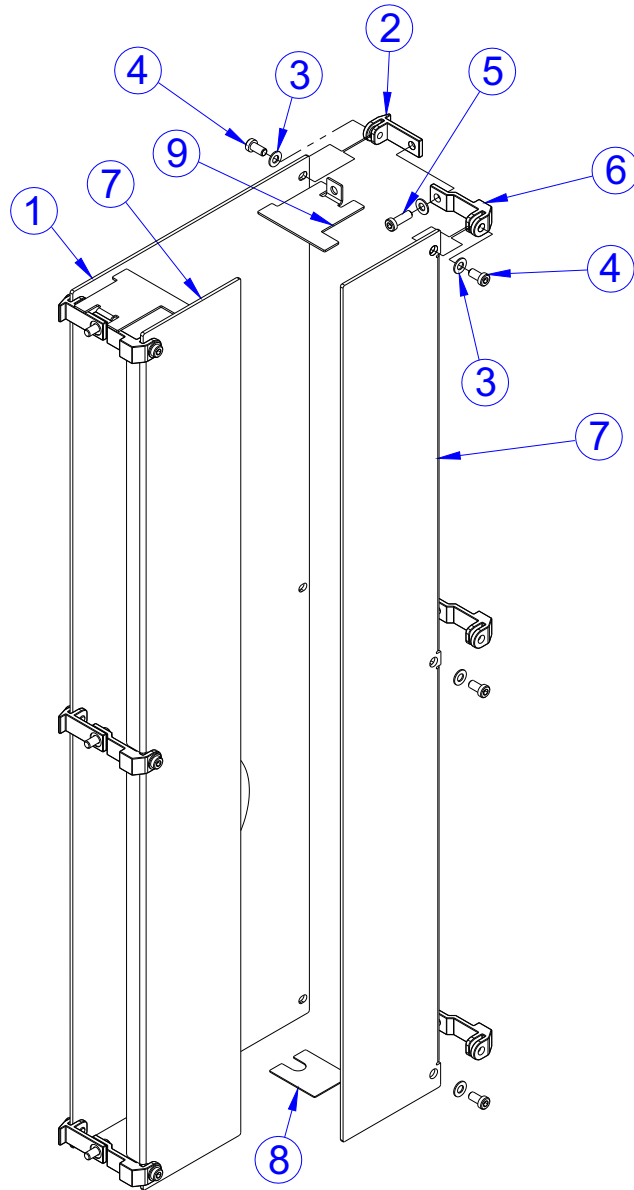
ITEM NO.	QTY.	PART NO.	DESCRIPTION
1	1	7353901	HEADPLATE, WT. STACK
2	1	7356600	STEM, PRO2 19 HOLE
3	2	7338001	BUSHING, HEADPLATE
4	1	7353001	ASSY, SELECTOR PIN
5	1	7356501	PLUG, LANYARD ATTACHMENT
6	1	3236001	BUSHING, SPRING PIN
8	19	7353801	ASSY, 15 LB PLATE
9	1	7523601	CRIMP, CABLE

PSFPDSE FIXED PULL DOWN REAR SHROUD KIT STD-MED - 7415202



ITEM NO.	QTY.	PART NO.	DESCRIPTION
1	1	7376802	SHIELD, PS REAR
2	6	7655301	BRACKET, PS REAR SHIELD
3	12	3236601	WASHER, 3/8 SAE SS
4	12	3236201	SCREW, M10 X1.5 20MM

PSFPDSE FIXED PULL DOWN OPTIONAL FULL SHROUD KIT STD-MED - 7539602



ITEM NO.	QTY.	PART NO.	DESCRIPTION
1	1	7376802	SHIELD, PS REAR
2	6	7655301	BRACKET, PS REAR SHIELD
3	18	3236601	WASHER, 3/8 SAE SS
4	12	3236201	SCREW, M10 X1.5 20MM
5	6	3236203	SCREW, M10 X1.5 30MM
6	6	7376601	BRACKET, PS FRONT SHIELD
7	2	7376902	SHIELD, PS - FRONT
8	2	7570901	PLATE, PS SHIELD STAND-OFF
9	2	7657401	PLATE, PRO2 SHROUD SPCR

PSFPDSE FIXED PULL DOWN IMAGE

