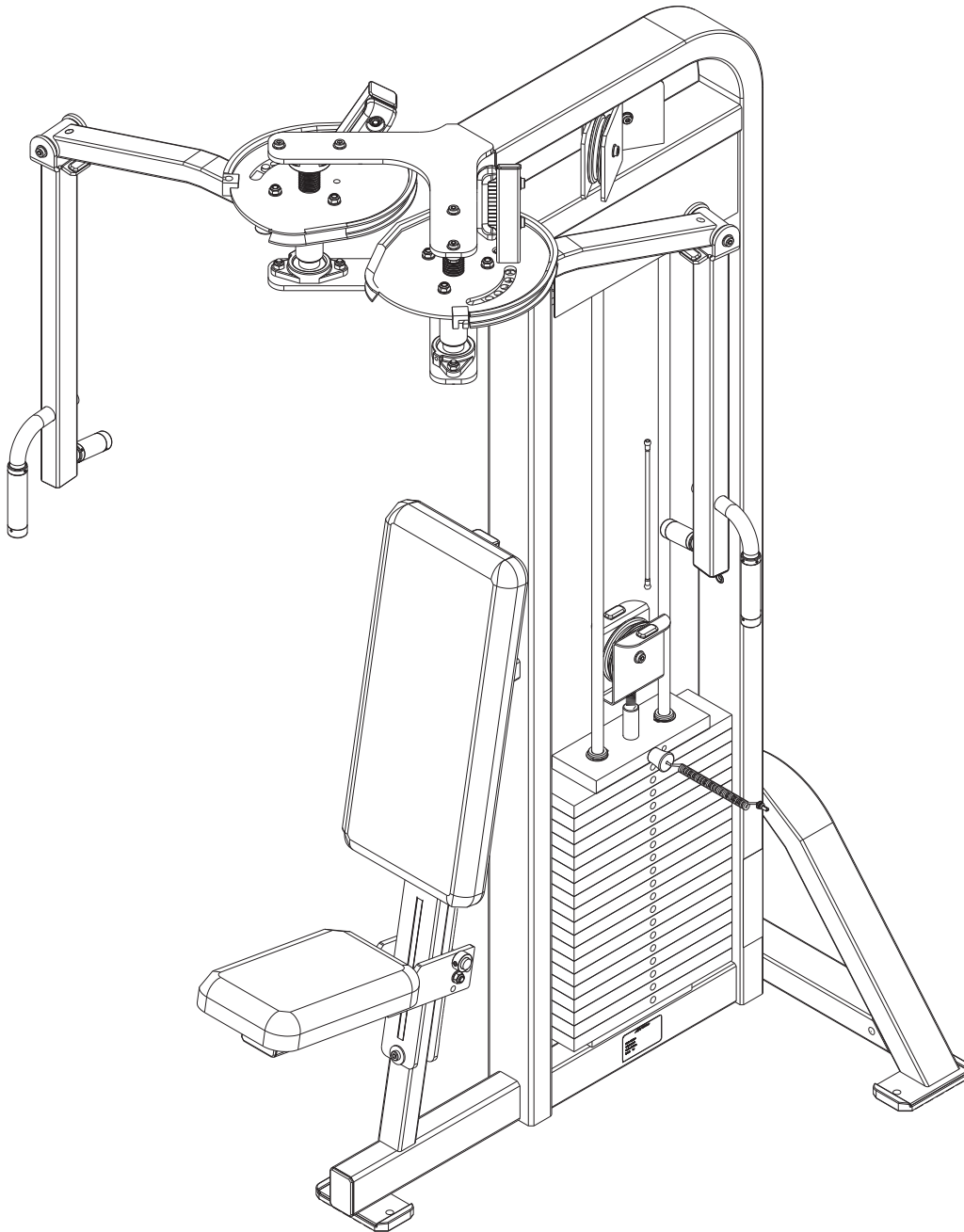




PRO 2 SERIES
PSFLY PECTORAL FLY/REAR DELTOID

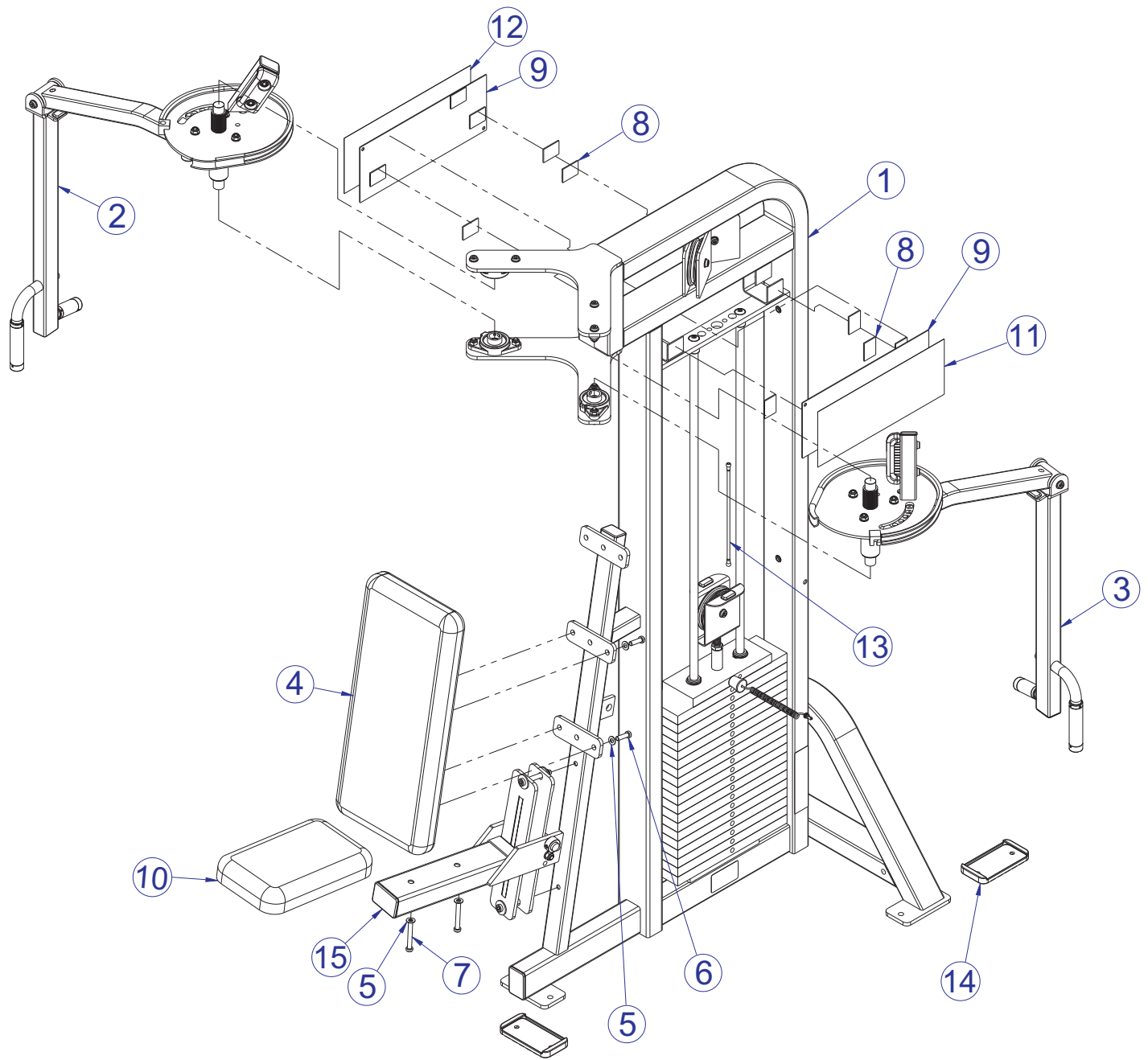


Customer Support Services
PARTS MANUAL

PSFLY PECTORAL FLY/REAR DELTOID CONTENTS

| | Page |
|----------------------------------|------|
| COMPONENT ASSEMBLY | 3 |
| COMPONENT ASSEMBLY LEGEND | 4 |
| STACK FRAME ASSEMBLY | 5 |
| STACK FRAME ASSEMBLY LEGEND | 6 |
| RIGHT WORK ARM ASSEMBLY | 7 |
| RIGHT WORK ARM ASSEMBLY LEGEND | 8 |
| LEFT WORK ARM ASSEMBLY | 9 |
| LEFT WORK ARM ASSEMBLY LEGEND | 10 |
| 90 ROLLER SEAT ASSEMBLY | 11 |
| 90 ROLLER SEAT ASSEMBLY LEGEND | 12 |
| ADD-ON INCREMENT WEIGHT ASSEMBLY | 13 |
| WEIGHT STACK (300LB) | 14 |
| OPTIONAL REAR SHROUD KIT | 15 |

PSFLY PECTORAL FLY/REAR DELTOID COMPONENT ASSEMBLY

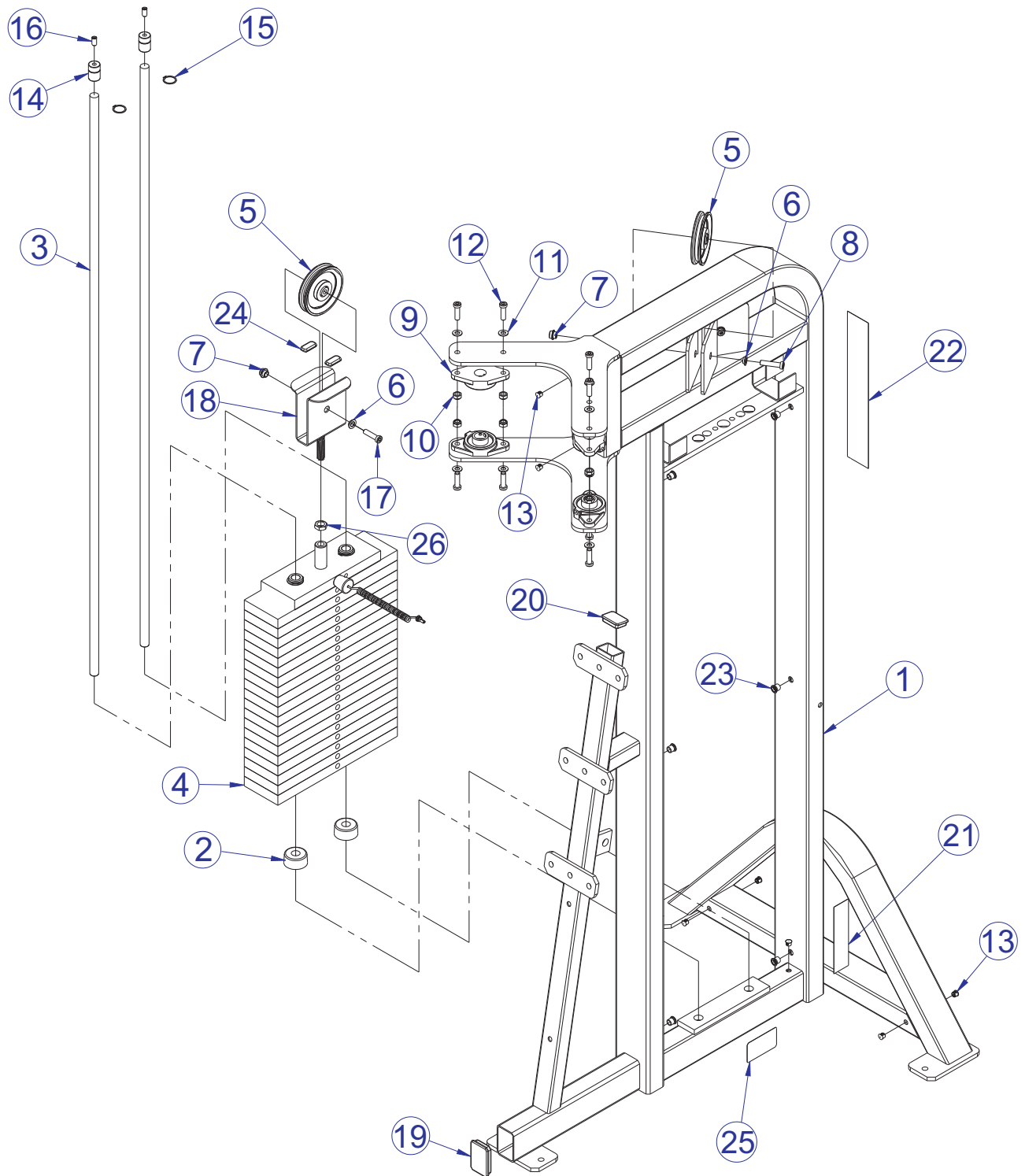


SEE PAGE 4 FOR LEGEND

PSFLY PECTORAL FLY/REAR DELTOID COMPONENT ASSEMBLY LEGEND

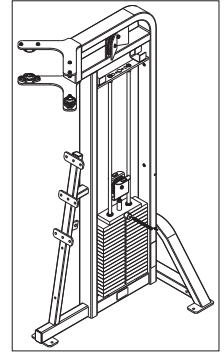
| ITEM NO. | QTY. | PART NO. | DESCRIPTION |
|----------|------|----------|--------------------------------|
| 1 | 1 | 7425801 | ASSY, PSFLY STACK FRAME |
| 2 | 1 | | ASSY, PSFLY WORKARM - RT |
| 3 | 1 | | ASSY, PSFLY WORKARM - LT |
| 4 | 1 | 73988xx | PAD, BACK 25 X 11-1/4 |
| 5 | 6 | 3236601 | WASHER, 3/8 SAE SS |
| 6 | 4 | 3236204 | SCREW, M10 X1.5 35MM |
| 7 | 2 | 3236212 | SCREW, M10 X1.5 75MM |
| 8 | 12 | 7544202 | PAD, DUAL LOCK 250 1.5" X 2.0" |
| 9 | 2 | 7415402 | COVER, STACK-PRO2 RECT. |
| 10 | 1 | 73989xx | PAD, SEAT 13-1/4 X 8-1/4 |
| 11 | 1 | 7446201 | LABEL, PSFLY PLACARD |
| 12 | 1 | 7490901 | LABEL, PSFLY LOGO PANEL |
| 13 | 1 | 7423808 | CABLE, PSFLY/PEC 150-1/2 |
| 14 | 3 | 7388201 | FOOTPAD, PS RUBBER |
| 15 | 1 | 7401801 | 90 DEG, SEAT ASSY. |

PSFLY PECTORAL FLY/REAR DELTOID STACK FRAME ASSEMBLY - 7425801



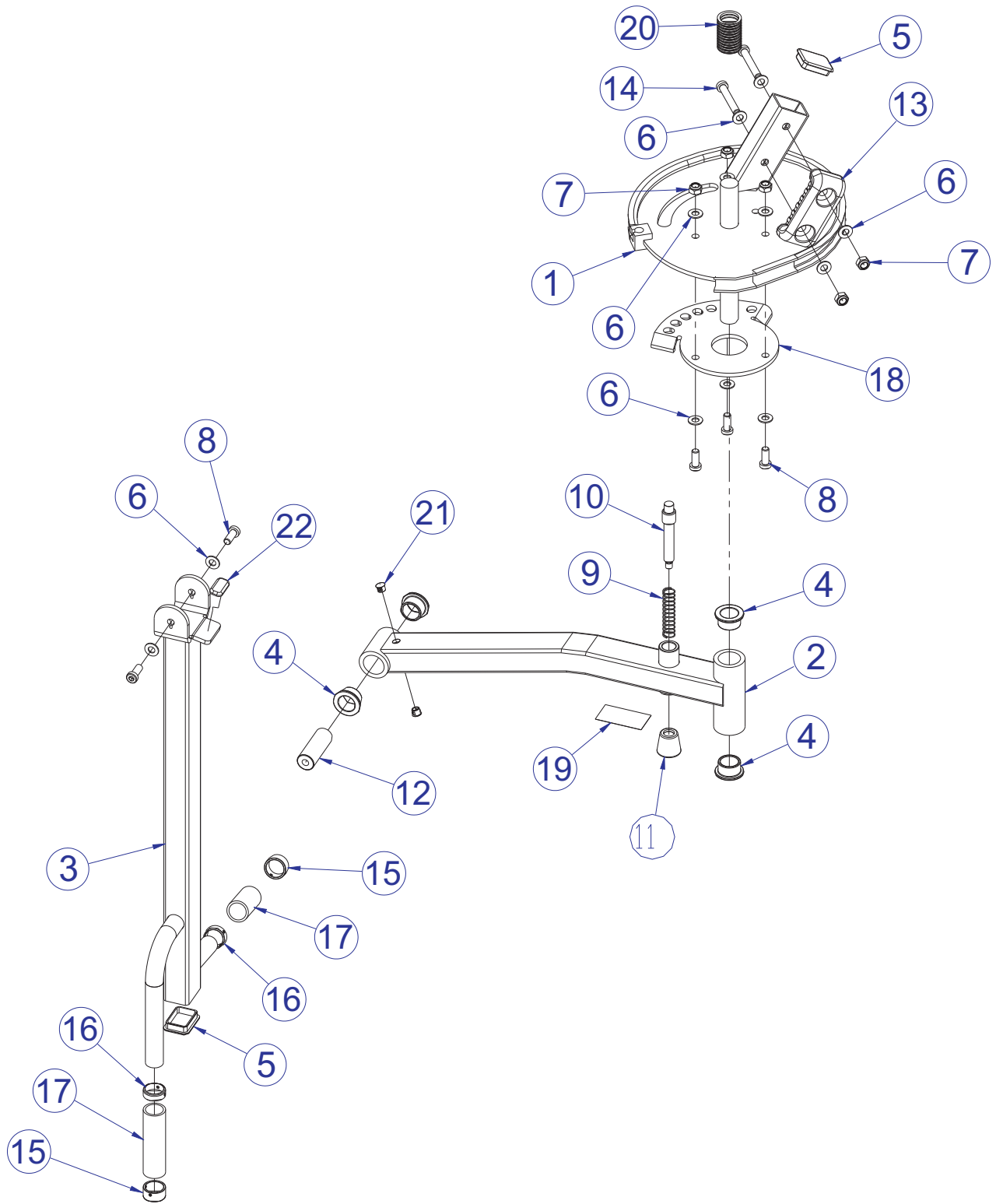
SEE PAGE 6 FOR LEGEND

PSFLY PECTORAL FLY/REAR DELTOID STACK FRAME ASSEMBLY LEGEND



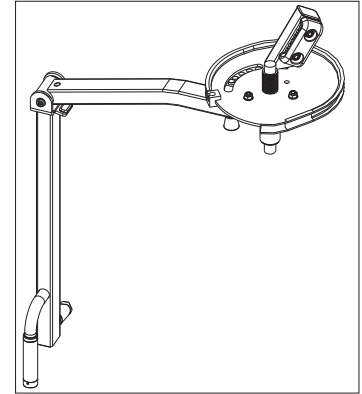
| ITEM NO. | QTY. | PART NO. | DESCRIPTION |
|----------|------|----------|----------------------------------|
| 1 | 1 | 7425901 | WELDMT, PSFLY MAIN |
| 2 | 2 | 7352101 | CUSHION, WEIGHT STACK |
| 3 | 2 | 7328606 | GUIDE ROD, .75 OD SOLID 59.63 |
| 4 | 1 | 7353501 | ASSY, 300LB STACK |
| 5 | 3 | 3237801 | PULLEY, 4.5" OD |
| 6 | 3 | 7348101 | WASHER, SPACER |
| 7 | 3 | 7335401 | NUT, M10 X 1.5 SOCKET HEAD |
| 8 | 2 | 3236206 | SCREW, M10 X1.5 45MM |
| 9 | 4 | 3237701 | ASSY, PILLOW BLOCK 4.88 X 2.75 |
| 10 | 8 | 3236801 | NUT, M10 HEX NYLOCK SS |
| 11 | 8 | 3236601 | WASHER, 3/8 SAE SS |
| 12 | 8 | 3236204 | SCREW, M10 X1.5 35MM |
| 13 | 8 | 3237401 | PLUG, 7/16" HOLE |
| 14 | 2 | 7402301 | RETAINER, GUIDEROD |
| 15 | 2 | 3232421 | RING, BRE .940, 5100-100 ST PP B |
| 16 | 2 | 3240501 | M10 X 1.5 HXS NO CUP ST BO |
| 17 | 1 | 3236205 | SCREW, M10 X1.5 40MM |
| 18 | 1 | 7425795 | WELDMENT, FLOATING PULLEY |
| 19 | 1 | 7352301 | CAP, END 2 X 3 |
| 20 | 1 | 7352201 | CAP, END 1-1/2 X 2 |
| 21 | 1 | 7422004 | LABEL, 2" ASTM WARN |
| 22 | 1 | 7348001 | LABEL, LIFE FITNESS LOGO |
| 23 | 6 | 3238101 | NUT, BLIND INSERT M10 X 1.5 |
| 24 | 2 | 7570801 | GUARD, PAINT 1.25"x.75"x.25" |
| 25 | 1 | 7571301 | LABEL, SERIAL NUMBER |
| 26 | 1 | 3236902 | NUT, M16 X 2 HEX JAM SS |

PSFLY PECTORAL FLY/REAR DELTOID RIGHT WORK ARM ASSEMBLY



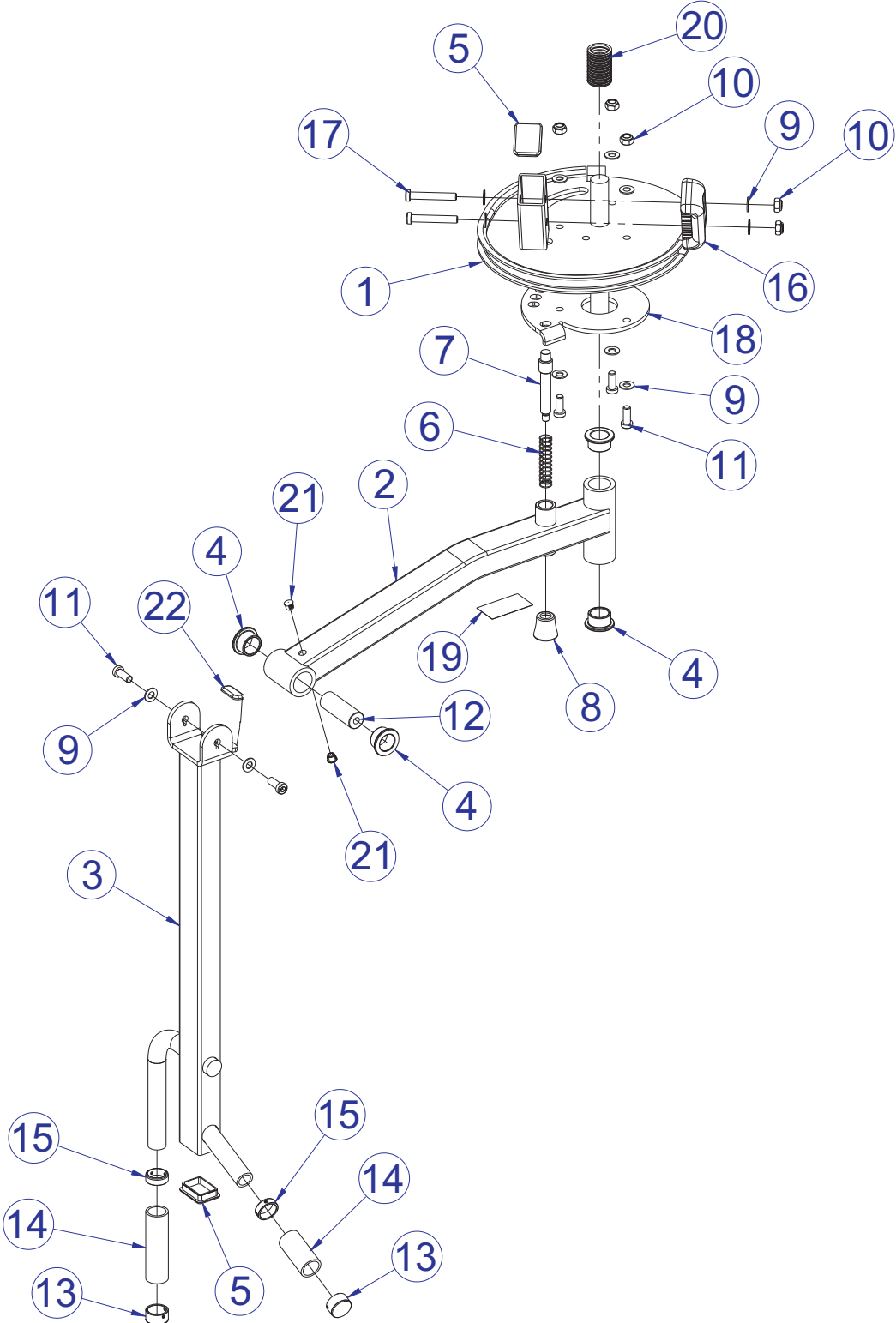
SEE PAGE 8 FOR LEGEND

PSFLY PECTORAL FLY/REAR DELTOID RIGHT WORK ARM ASSEMBLY LEGEND



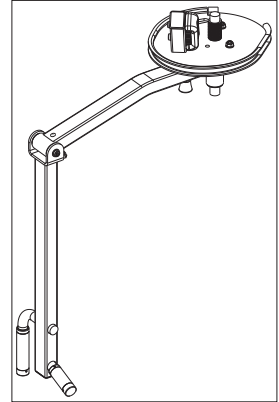
| ITEM NO. | QTY. | PART NO. | DESCRIPTION |
|----------|------|----------|---------------------------------|
| 1 | 1 | 8103601 | WLDMT, PSFLY/PEC CAM - RT |
| 2 | 1 | 7428001 | WELDMENT, PS TOP WORKARM |
| 3 | 1 | 7874601 | WLDMT, PSFLY SWINGARM - RT |
| 4 | 4 | 3104903 | 1.00" ID 1.25" OD BRONZ BUSHING |
| 5 | 2 | 7352201 | CAP, END 1-1/2 X 2 |
| 6 | 12 | 3236601 | WASHER, 3/8 SAE SS |
| 7 | 5 | 3236801 | NUT, M10 HEX NYLOCK SS |
| 8 | 5 | 3236202 | SCREW, M10 X1.5 25MM |
| 9 | 1 | 7351501 | SPRING; PULL PIN LARGE |
| 10 | 1 | 7351301 | PIN, PULL X 4.375 |
| 11 | 1 | 7351401 | KNOB, TULIP STYLE |
| 12 | 1 | 7324903 | SHAFT, TAPPED 1 DIA X 2.813 |
| 13 | 1 | 7352001 | BUMPER, 2-1/8 X 4-5/8 |
| 14 | 2 | 3236210 | SCREW, M10 X1.5 65MM |
| 15 | 2 | 7662900 | CAP, GRIP |
| 16 | 2 | 7662801 | RING, GRIP 1.25 OD |
| 17 | 2 | 3235801 | GRIP, 1.25 OD OPEN END |
| 18 | 1 | 7428301 | FLANGE, PSFLY RANGE RIGHT |
| 19 | 1 | 7422003 | LABEL, MOVING PARTS |
| 20 | 1 | 6912804 | SLEEVE, ACCRDN 1.0 ID X 2 |
| 21 | 2 | 3237401 | PLUG, 7/16" HOLE |
| 22 | 1 | 7570801 | GUARD, PAINT 1.25"x.75"x.25" |

PSFLY PECTORAL FLY/REAR DELTOID LEFT WORK ARM ASSEMBLY



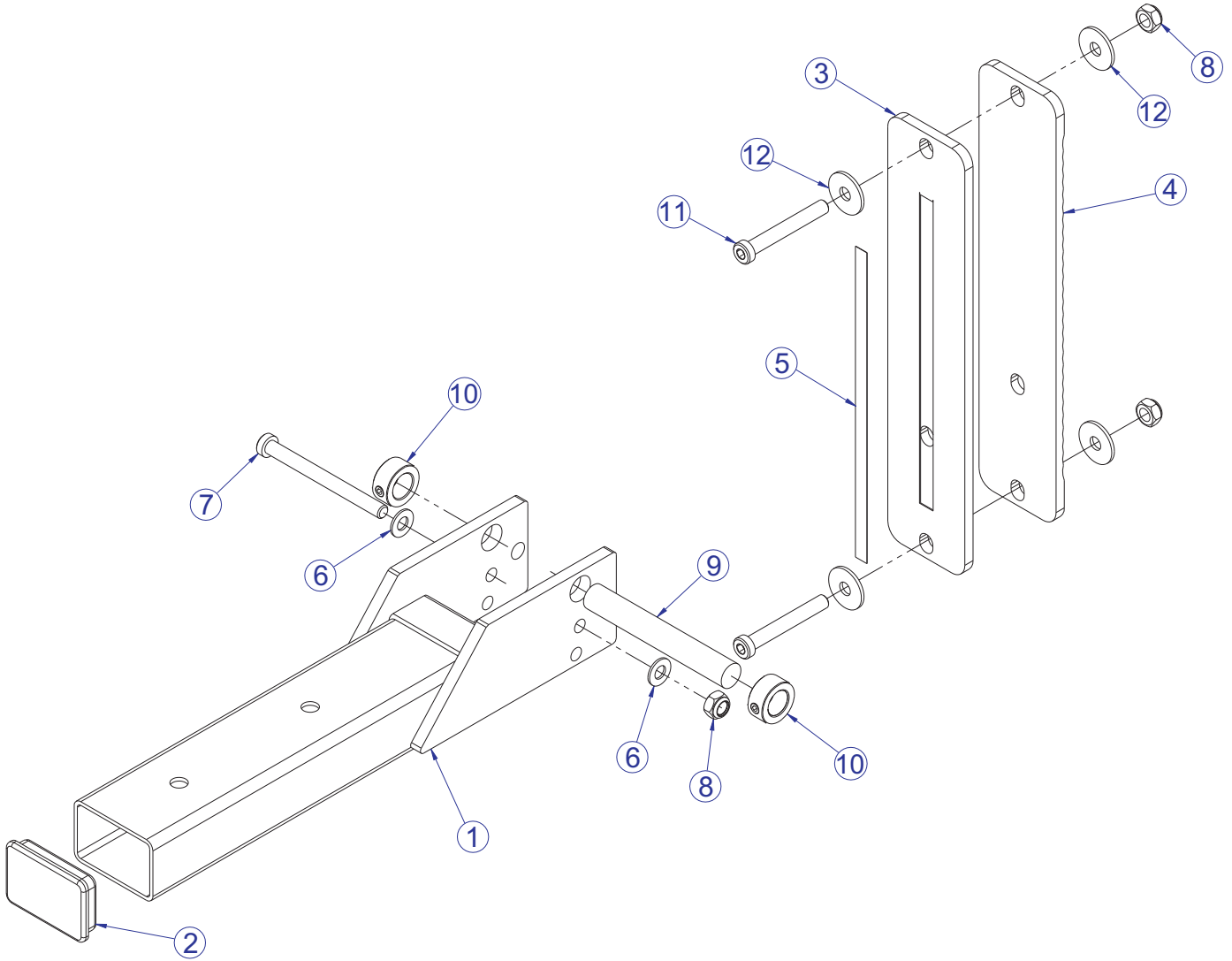
SEE PAGE 10 FOR LEGEND

PSFLY PECTORAL FLY/REAR DELTOID LEFT WORK ARM ASSEMBLY LEGEND



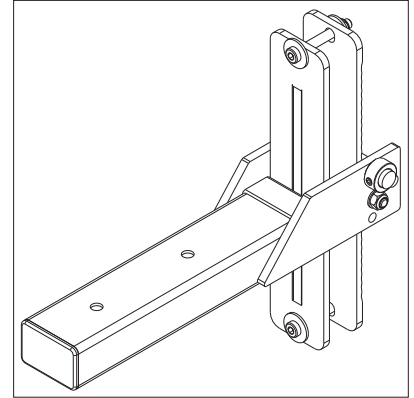
| ITEM NO. | QTY. | PART NO. | DESCRIPTION |
|----------|------|----------|---------------------------------|
| 1 | 1 | 8103701 | WLDMT, PSFLY/PEC CAM - LT |
| 2 | 1 | 7428001 | WELDMENT, PS TOP WORKARM |
| 3 | 1 | 7874701 | WLDMT, PSFLY SWINGARM - LT |
| 4 | 4 | 3104903 | 1.00" ID 1.25" OD BRONZ BUSHING |
| 5 | 2 | 7352201 | CAP, END 1-1/2 X 2 |
| 6 | 1 | 7351501 | SPRING; PULL PIN LARGE |
| 7 | 1 | 7351301 | PIN, PULL X 4.375 |
| 8 | 1 | 7351401 | KNOB, TULIP STYLE |
| 9 | 12 | 3236601 | WASHER, 3/8 SAE SS |
| 10 | 5 | 3236801 | NUT, M10 HEX NYLOCK SS |
| 11 | 5 | 3236202 | SCREW, M10 X1.5 25MM |
| 12 | 1 | 7324903 | SHAFT, TAPPED 1 DIA X 2.813 |
| 13 | 2 | 7662900 | CAP, GRIP |
| 14 | 2 | 3235801 | GRIP, 1.25 OD OPEN END |
| 15 | 2 | 7662801 | RING, GRIP 1.25 OD |
| 16 | 1 | 7352001 | BUMPER, 2-1/8 X 4-5/8 |
| 17 | 2 | 3236210 | SCREW, M10 X1.5 65MM |
| 18 | 1 | 7429101 | FLANGE, PSFLY RANGE LEFT |
| 19 | 1 | 7422003 | LABEL, MOVING PARTS |
| 20 | 1 | 6912804 | SLEEVE, ACCRDN 1.0 ID X 2 |
| 21 | 2 | 3237401 | PLUG, 7/16" HOLE |
| 22 | 1 | 7570801 | GUARD, PAINT 1.25"x.75"x.25" |

PSFLY PECTORAL FLY/REAR DELTOID 90° SEAT ASSEMBLY - 7401801



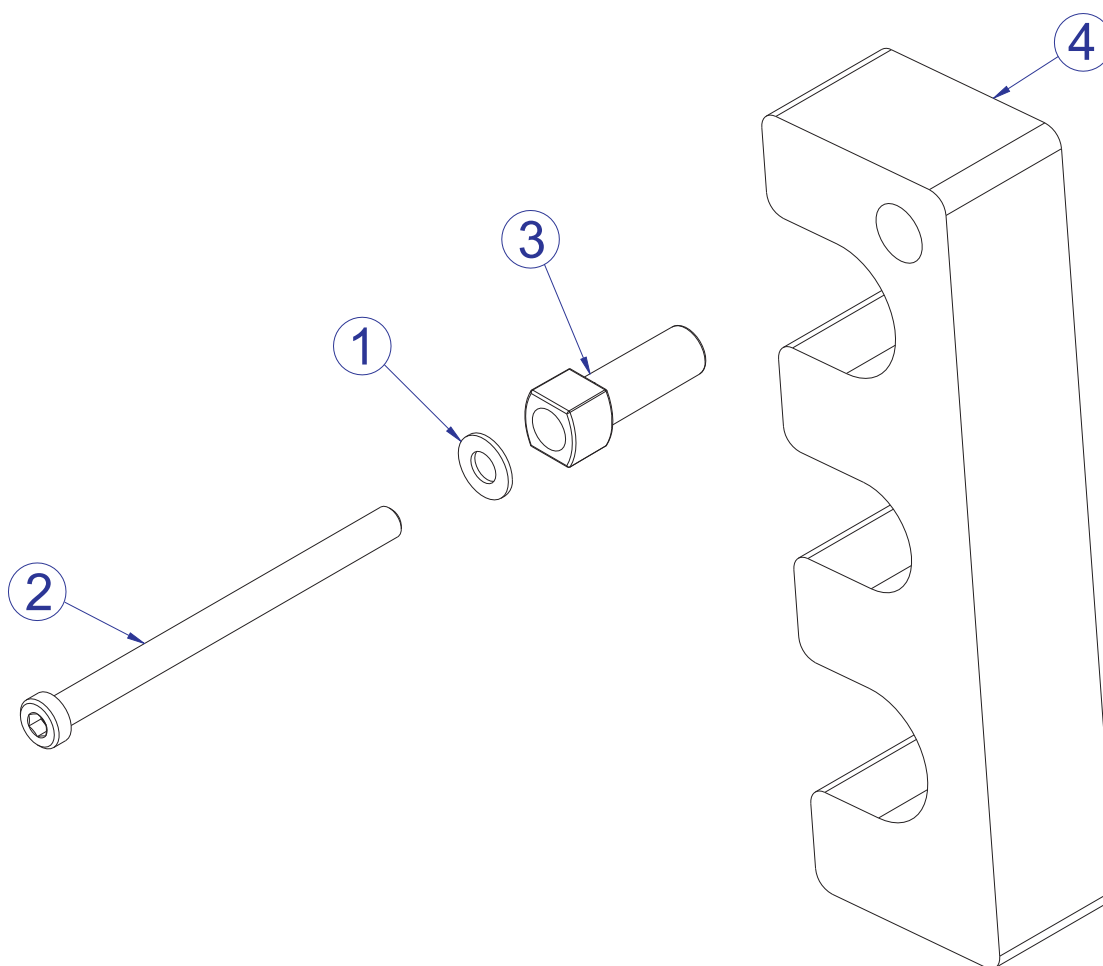
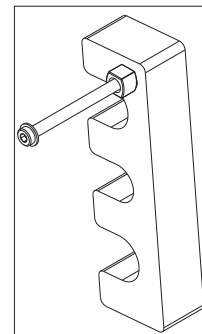
SEE PAGE 12 FOR LEGEND

PSFLY PECTORAL FLY/REAR DELTOID 90° SEAT ASSEMBLY LEGEND



| ITEM NO. | QTY. | PART NO. | DESCRIPTION |
|----------|------|----------|---------------------------------|
| 1 | 1 | 7358701 | WLDMT, 90 DEG. STD. HAMMER SEAT |
| 2 | 1 | 7352301 | CAP, END 2 X 3 |
| 3 | 1 | 7359701 | SEATRACK FRONT |
| 4 | 1 | 7359801 | SEATRACK BACK |
| 5 | 1 | 7422002 | LABEL, SEAT ADJUST |
| 6 | 2 | 3236601 | WASHER, 3/8 SAE SS |
| 7 | 1 | 3236218 | SCREW, M10 X1.5 110MM |
| 8 | 3 | 3236801 | NUT, M10 HEX NYLOCK SS |
| 9 | 1 | 7359301 | .75" SS ROUND SEAT PIN |
| 10 | 2 | 3103301 | SHAFT COLLAR, 3/4 I.D. ZINC |
| 11 | 2 | 3236212 | SCREW, M10 X1.5 75MM |
| 12 | 4 | 3236602 | WASHER, 3/8 ID X 1.25 OD SS |

PSFLY PECTORAL FLY/REAR DELTOID ADD-ON INCREMENT WEIGHT ASSEMBLY - 7415001

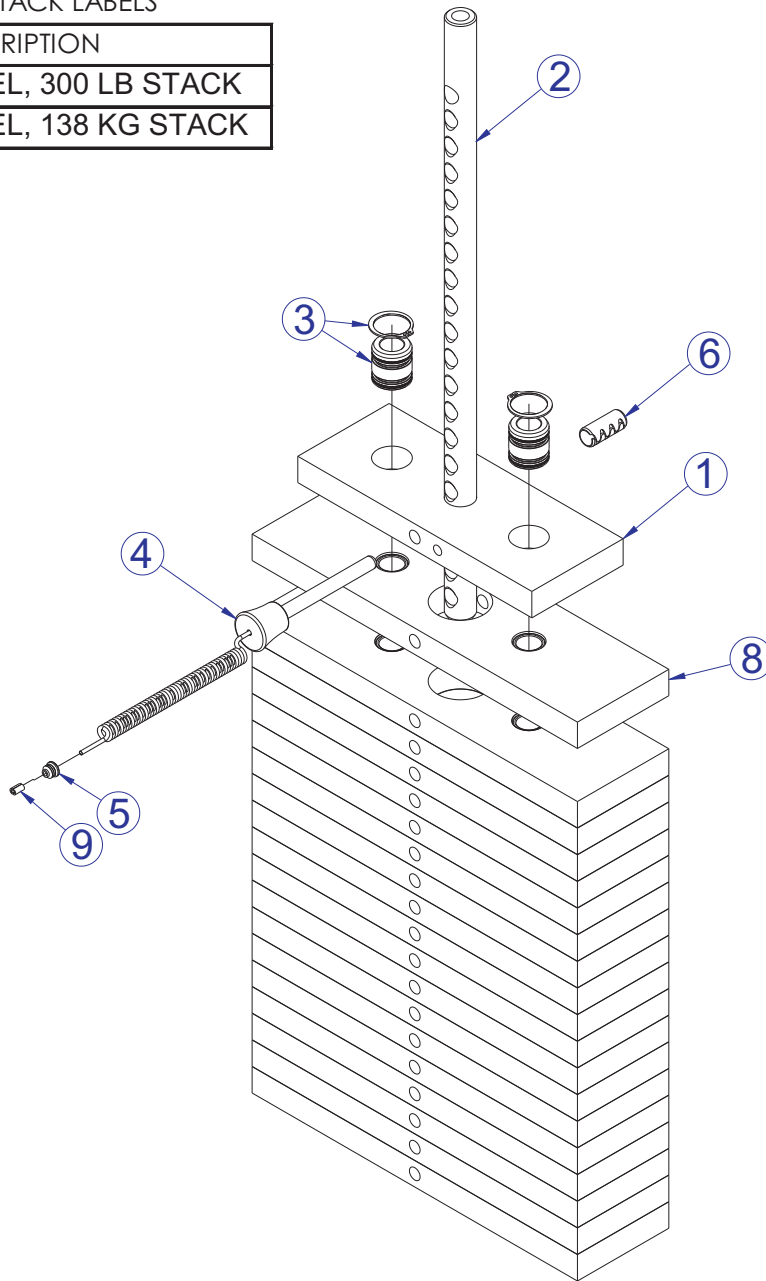
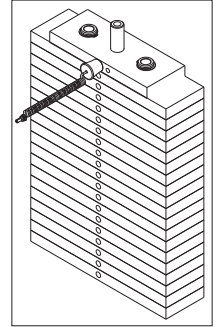


| ITEM NO. | QTY. | PART NO. | DESCRIPTION |
|----------|------|----------|--------------------------|
| 1 | 1 | 3236601 | WASHER, 3/8 SAE SS |
| 2 | 1 | 3236221 | SCREW, M10 X1.5 140MM |
| 3 | 1 | 7401701 | COVER, PLASTIC PEG 2-1/4 |
| 4 | 1 | 7366101 | WEIGHT, 7.5 LB. ADD-ON |

PSFLY PECTORAL FLY/REAR DELTOID WEIGHT STACK ASSY 300LB - 7353501

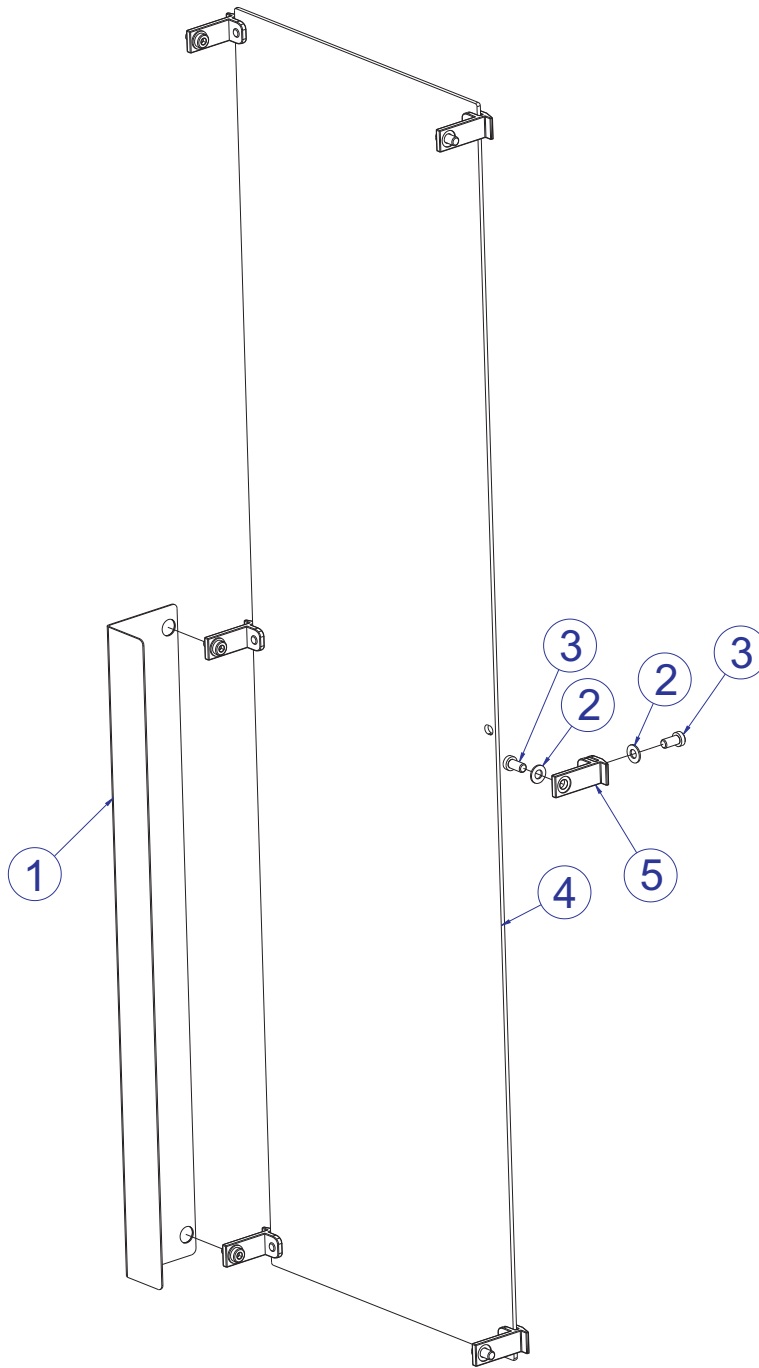
WEIGHT STACK LABELS

| PART NO. | DESCRIPTION |
|----------|---------------------|
| 7987201 | LABEL, 300 LB STACK |
| 7987401 | LABEL, 138 KG STACK |



| ITEM NO. | QTY. | PART NO. | DESCRIPTION |
|----------|------|----------|--------------------------|
| 1 | 1 | 7353901 | HEADPLATE, WT. STACK |
| 2 | 1 | 7356600 | STEM, PRO2 19 HOLE |
| 3 | 2 | 7338001 | BUSHING, HEADPLATE |
| 4 | 1 | 7353001 | ASSY, SELECTOR PIN |
| 5 | 1 | 7356501 | PLUG, LANYARD ATTACHMENT |
| 6 | 1 | 3236001 | BUSHING, SPRING PIN |
| 8 | 19 | 7353801 | ASSY, 15 LB PLATE |
| 9 | 1 | 7523601 | CRIMP, CABLE |

PSFLY PECTORAL FLY/REAR DELTOID OPTIONAL REAR SHROUD KIT STD-TALL - 7601001



| ITEM NO. | QTY. | PART NO. | DESCRIPTION |
|----------|------|----------|-------------------------|
| 1 | 1 | 7600895 | GUARD, PSFLY KNEE |
| 2 | 12 | 3236601 | WASHER, 3/8 SAE SS |
| 3 | 12 | 3236201 | SCREW, M10 X1.5 20MM |
| 4 | 1 | 7376806 | SHIELD, PS REAR |
| 5 | 6 | 7655301 | BRACKET, PS REAR SHIELD |