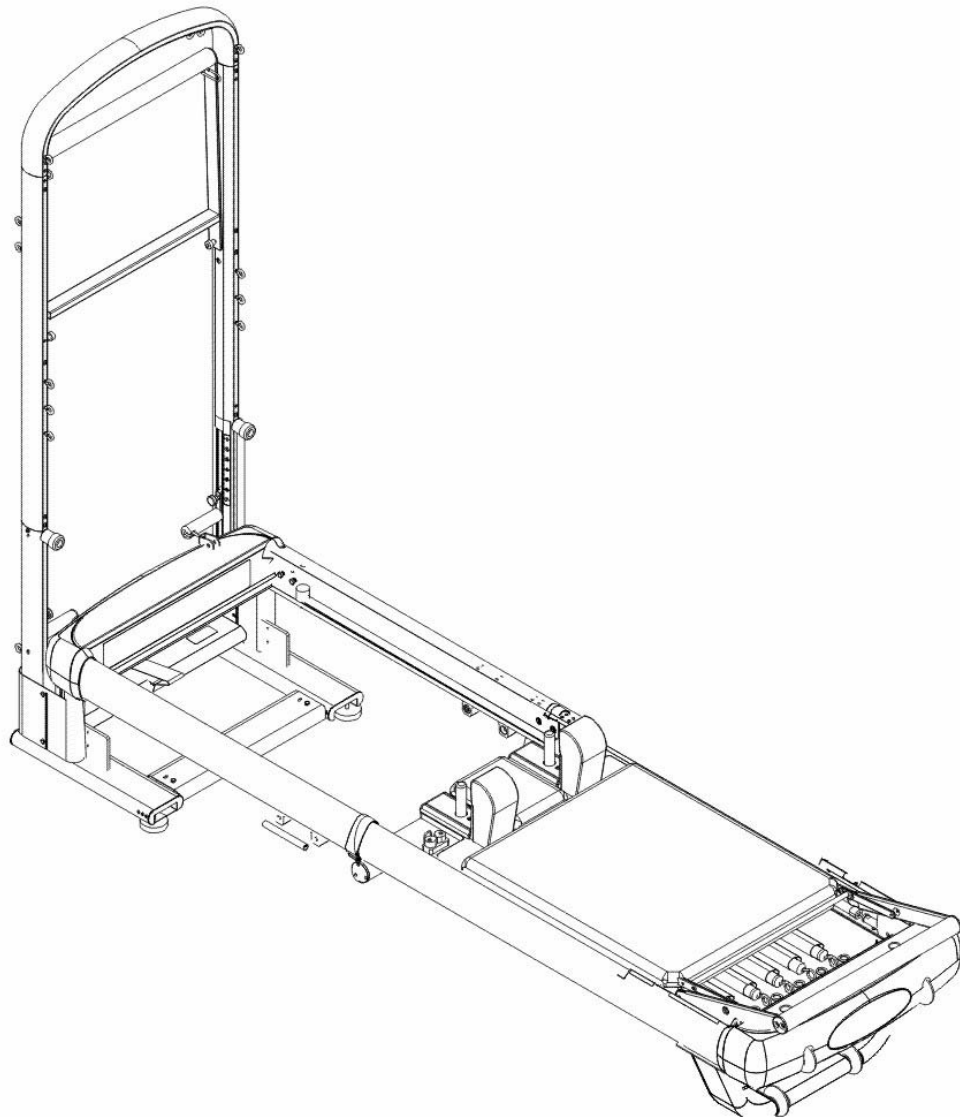


# *LifeFitness*

**PEAK PILATES**  
*DELUXE and REFORMER MODELS*



## **PARTS MANUAL**

rev. 02 Apr 2007

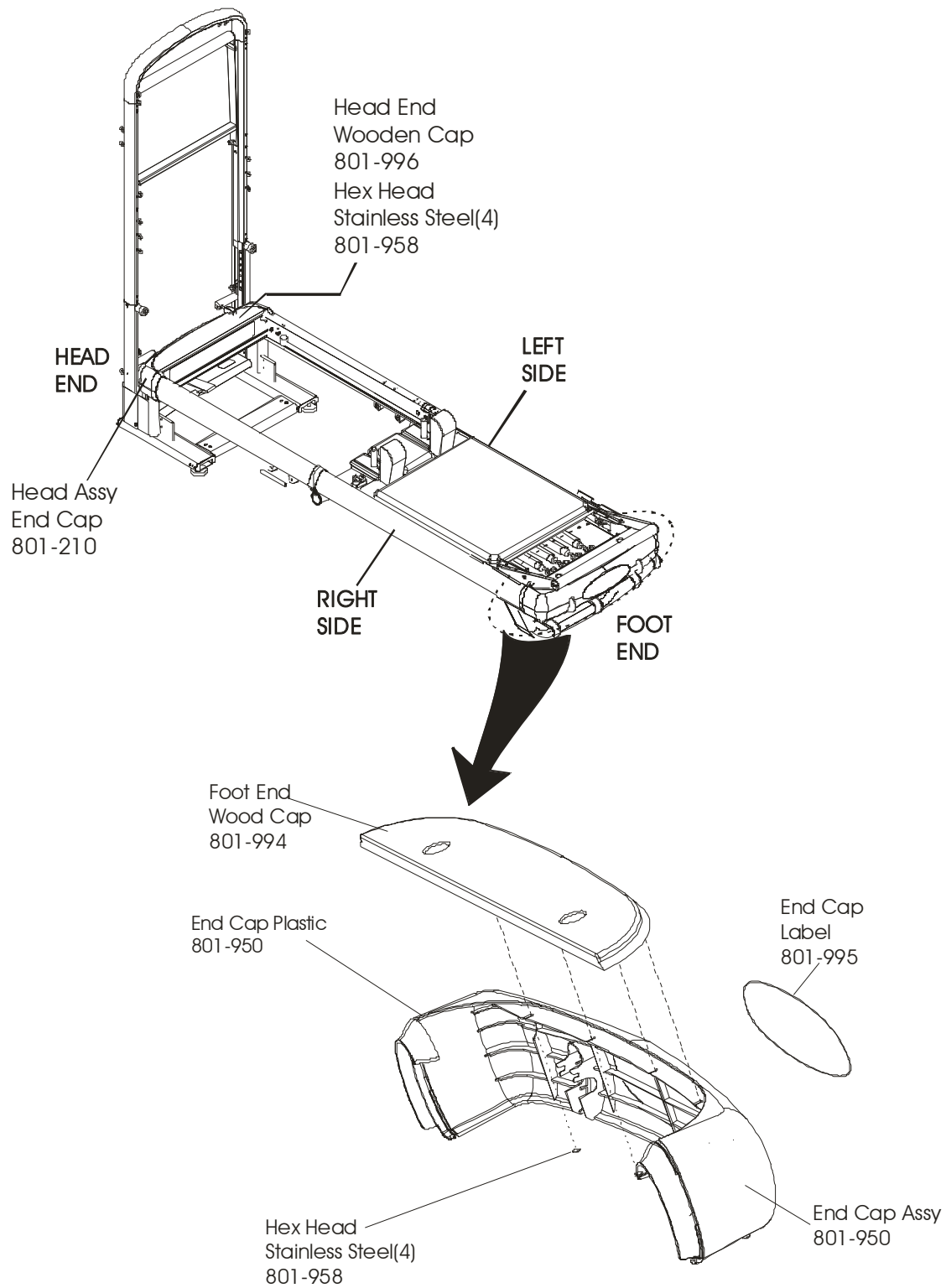


## TABLE OF CONTENTS

---

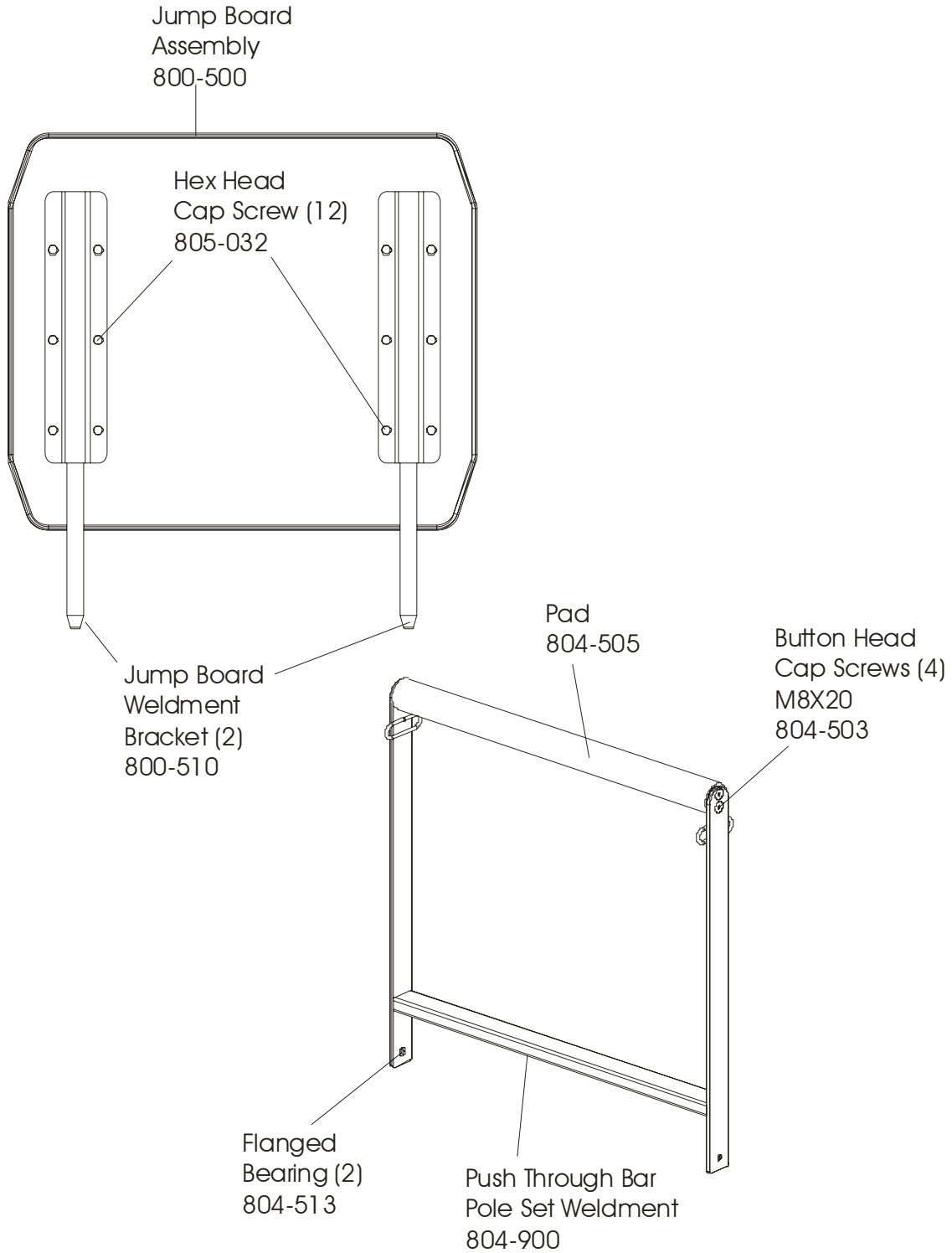
<b>MAIN ASSEMBLY .....</b>	<b>2</b>
<b>JUMP BOARD and PUSH THROUGH BAR ASSEMBLIES .....</b>	<b>3</b>
<b>TOWER ASSEMBLY.....</b>	<b>4</b>
<b>TOWER COMPONENTS .....</b>	<b>5</b>
<b>SWIVEL PULLEY ASSEMBLY .....</b>	<b>6</b>
<b>HEAD END ASSEMBLY COMPONENTS.....</b>	<b>7</b>
<b>HEAD END FRAME COMPONENTS.....</b>	<b>8</b>
<b>RAIL and FRONT LEG ASSEMBLIES.....</b>	<b>9</b>
<b>RAIL ASSEMBLY 2 .....</b>	<b>10</b>
<b>RAIL ASSEMBLY 3 .....</b>	<b>11</b>
<b>GEAR CHANGE BAR ASSEMBLY.....</b>	<b>12</b>
<b>HINGE RATCHET ASSEMBLY .....</b>	<b>13</b>
<b>FOOT BAR .....</b>	<b>14</b>
<b>CARRIAGE ASSEMBLY – TOP VIEW .....</b>	<b>15</b>
<b>CARRIAGE ASSEMBLY – BOTTOM VIEW.....</b>	<b>16</b>
<b>CARRIAGE STOPS – LEFT and RIGHT.....</b>	<b>17</b>
<b>PACKAGE CONTENTS .....</b>	<b>18</b>

## MAIN ASSEMBLY



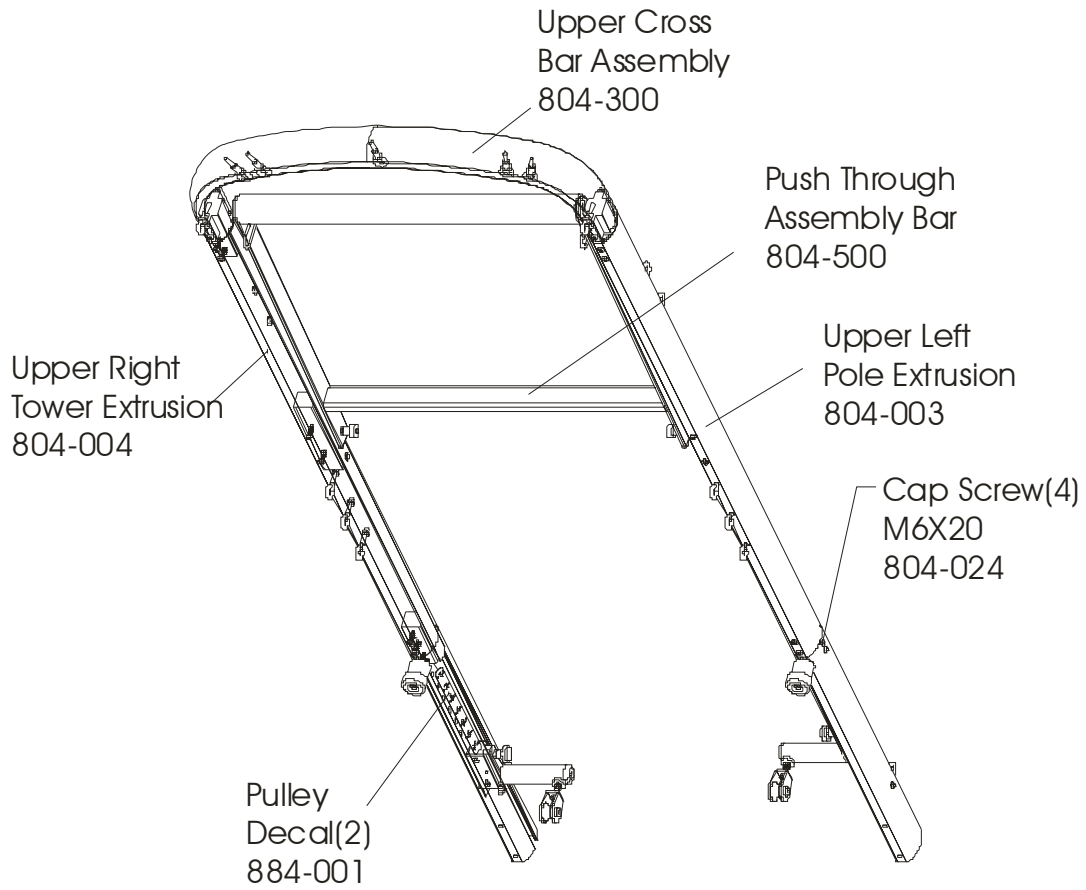
## JUMP BOARD AND PUSH THROUGH BAR ASSEMBLIES

---

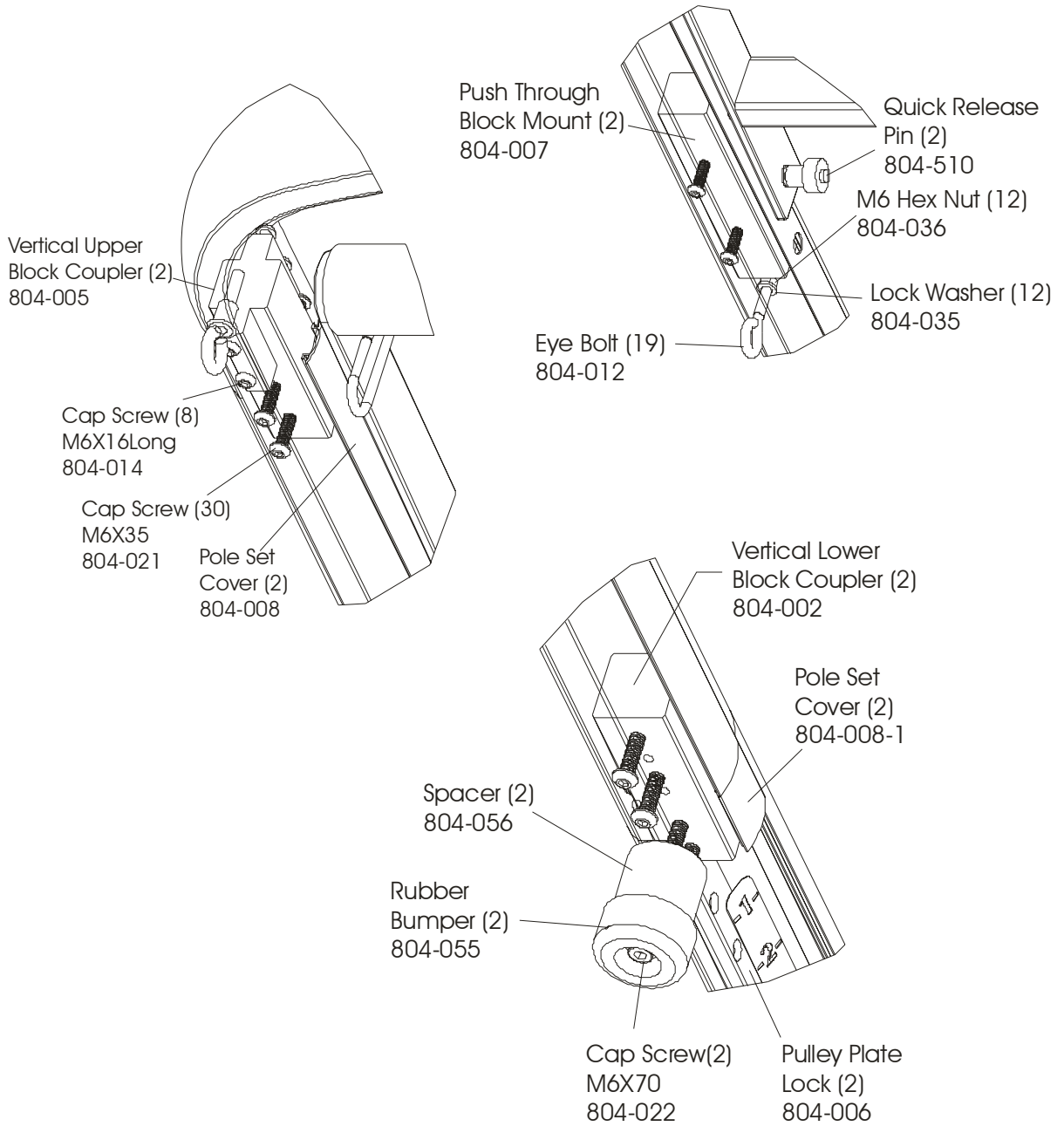


## TOWER ASSEMBLY

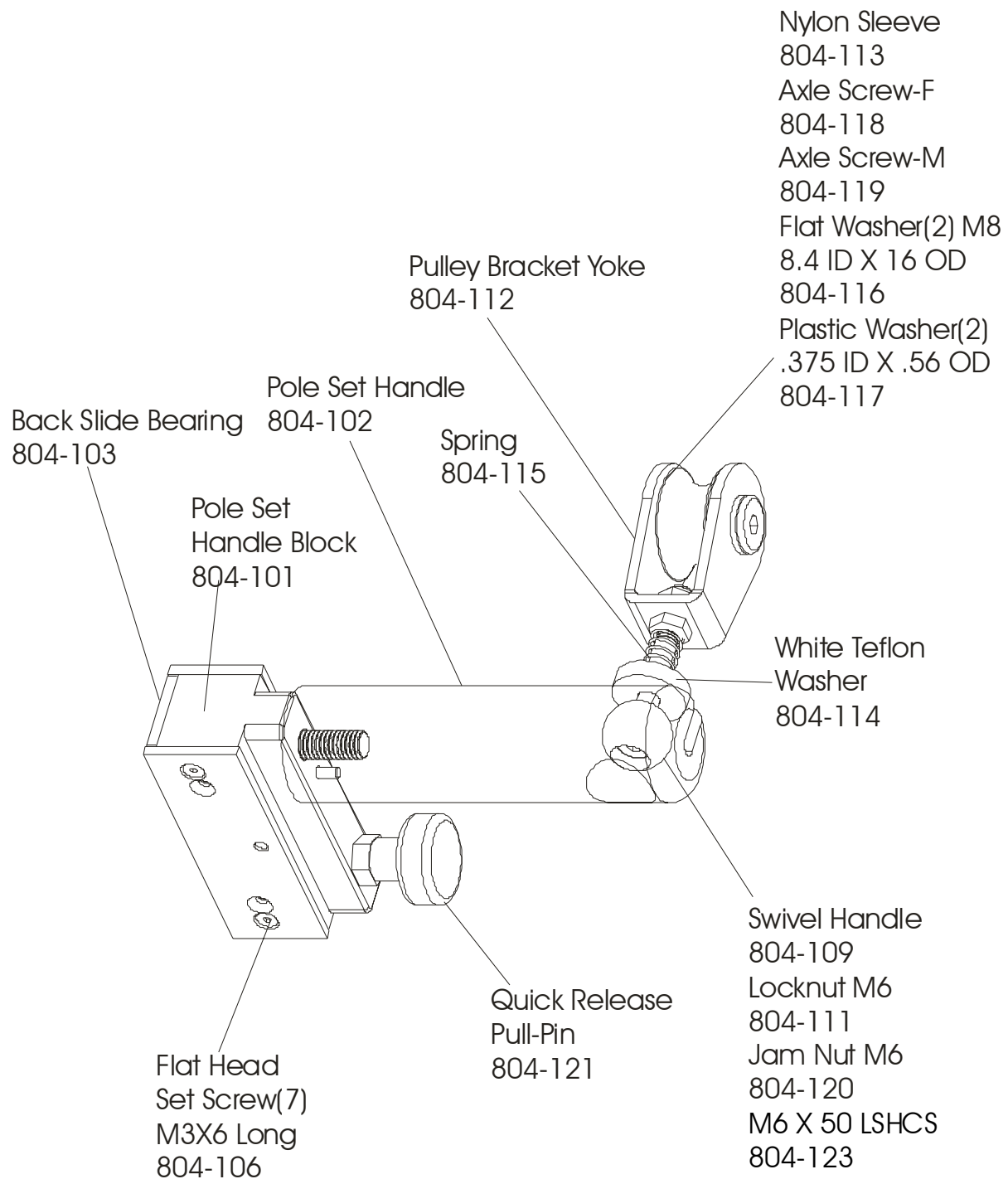
---



## TOWER COMPONENTS

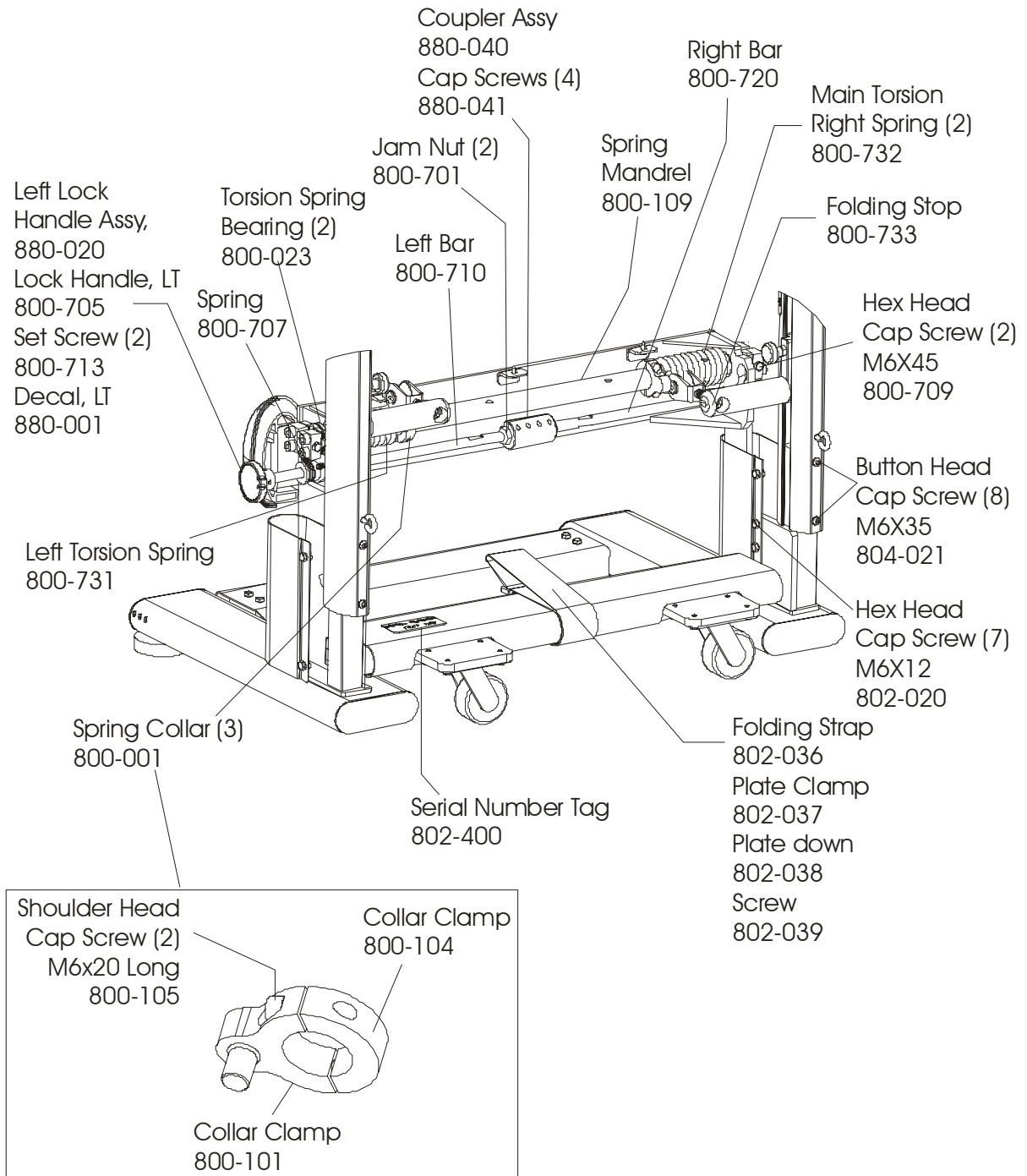


## SWIVEL PULLEY ASSEMBLY

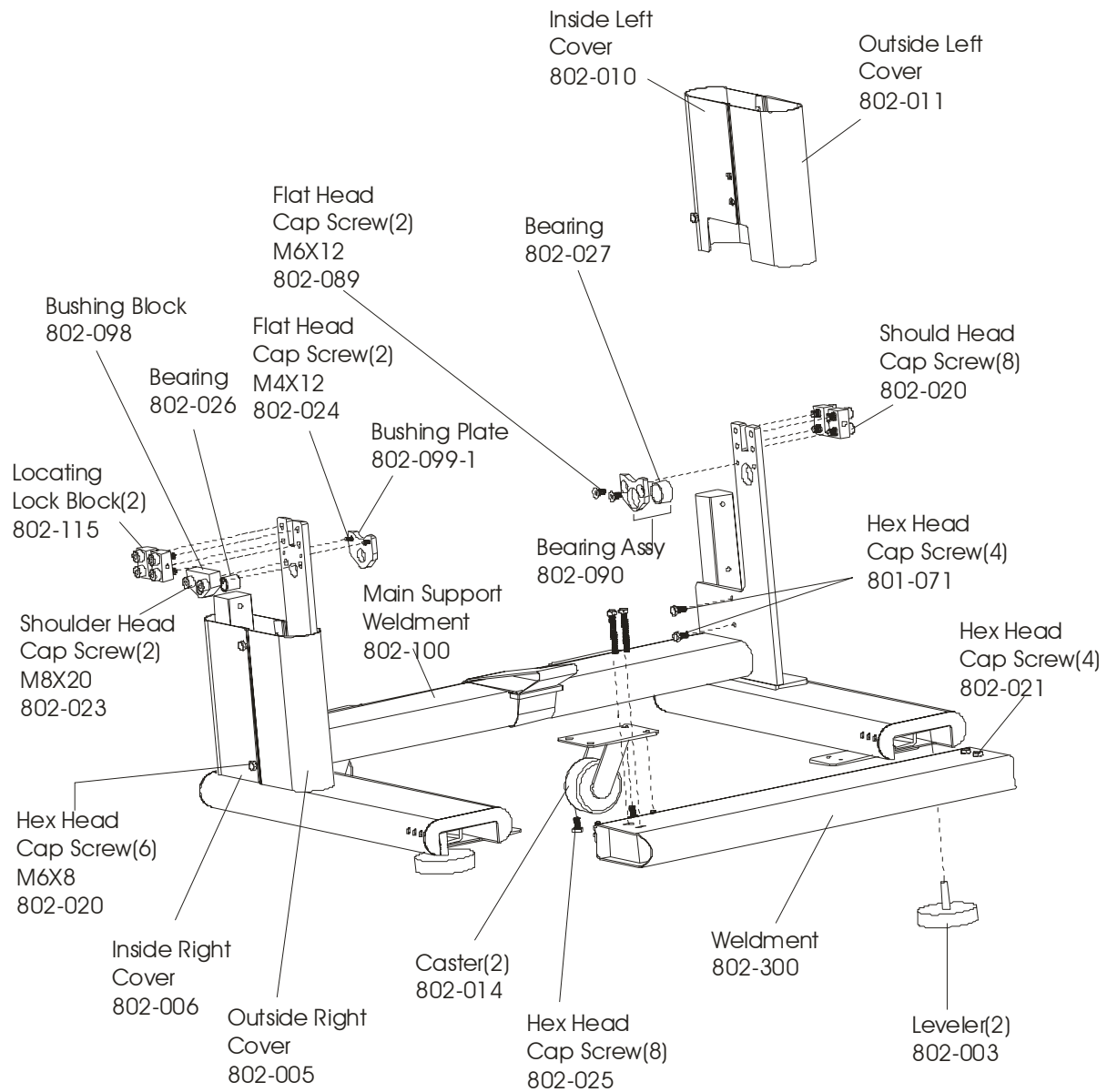




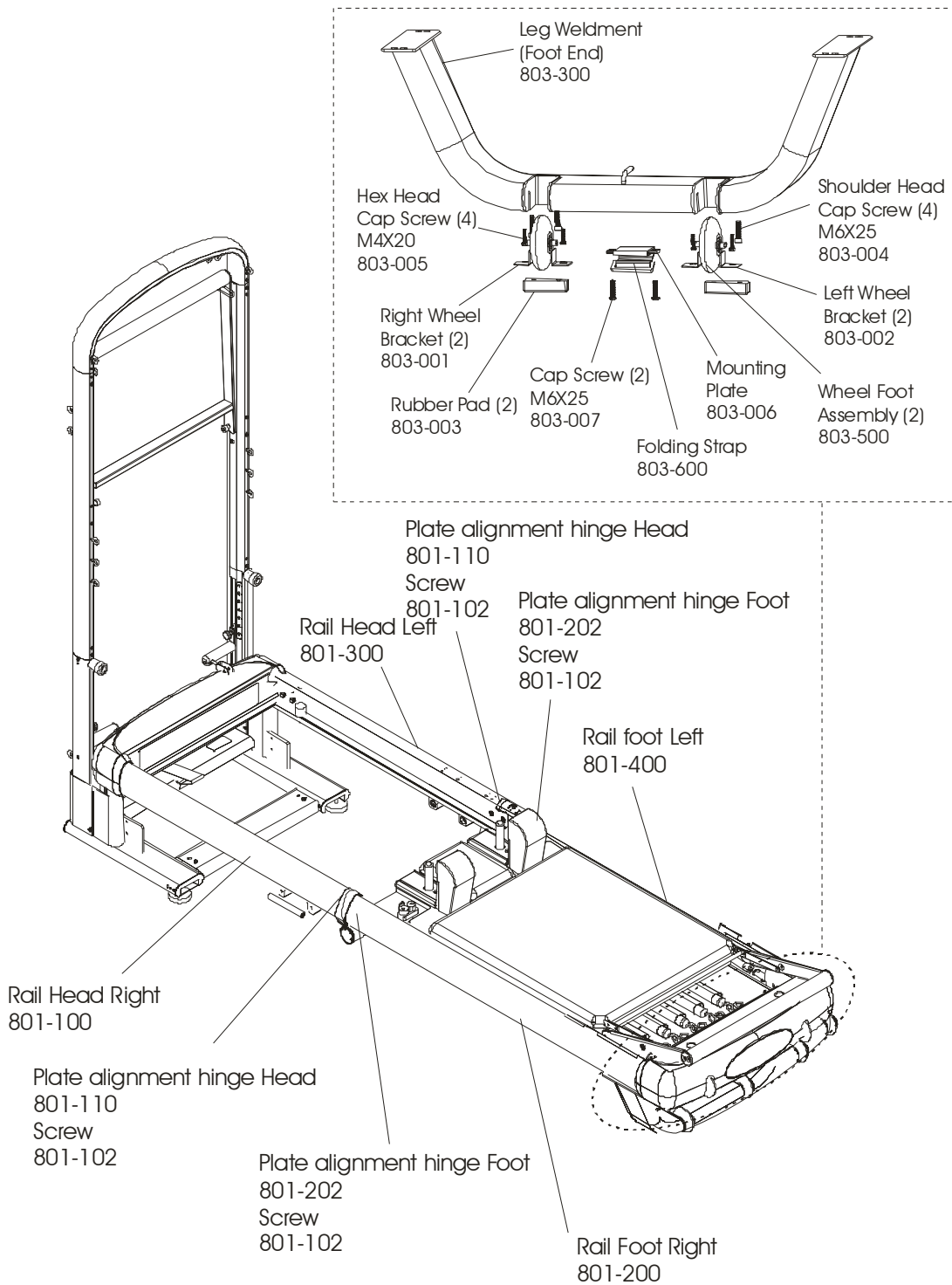
## HEAD END ASSEMBLY COMPONENTS



## HEAD END FRAME COMPONENTS

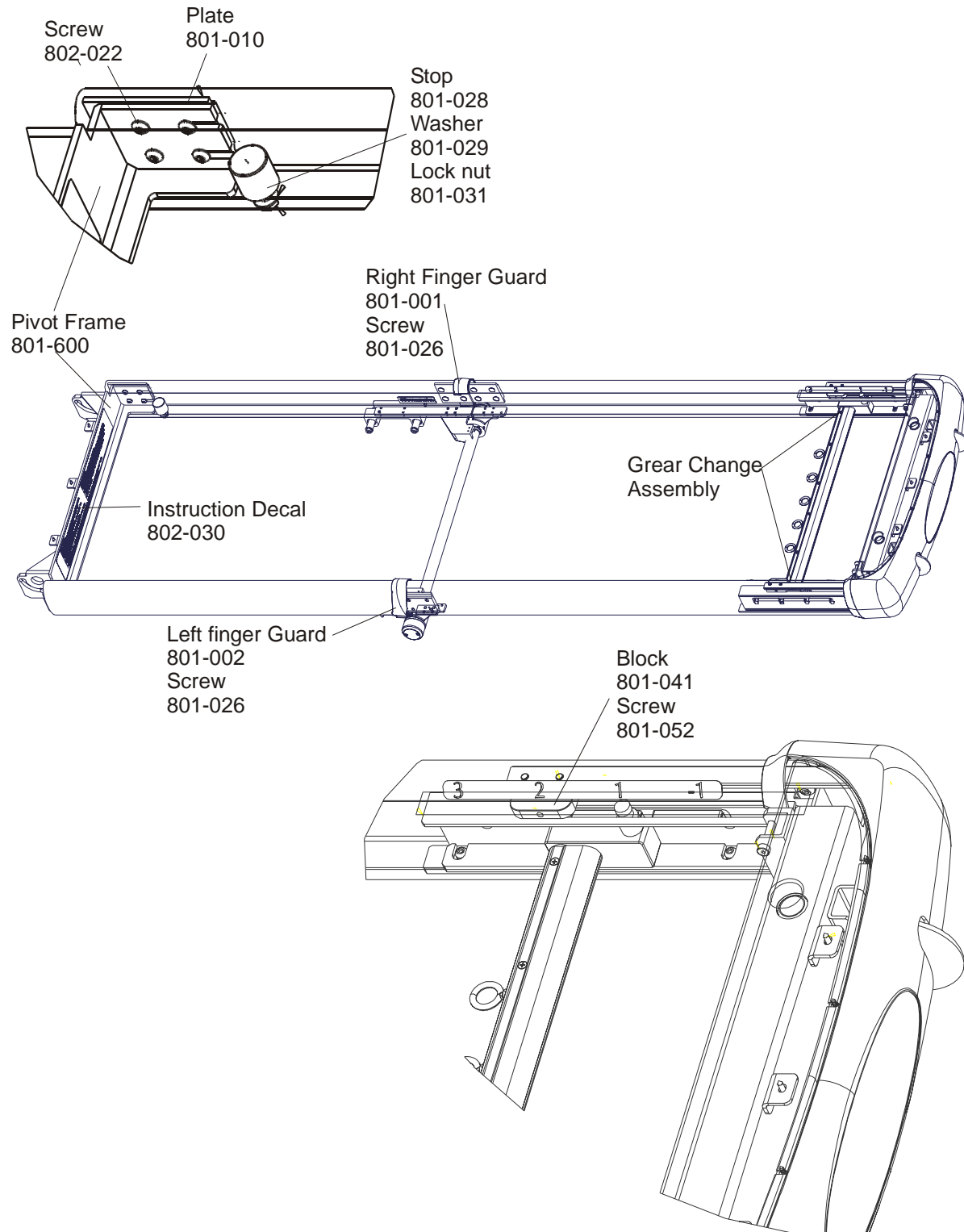


## RAIL AND FRONT LEG ASSEMBLIES

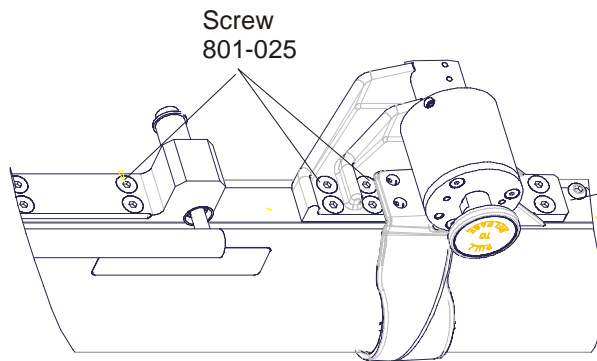
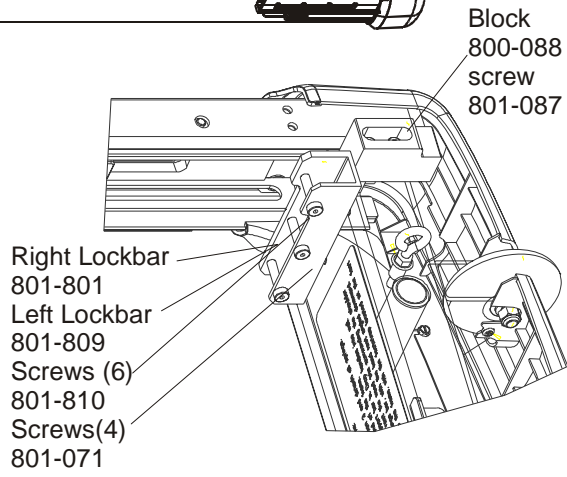
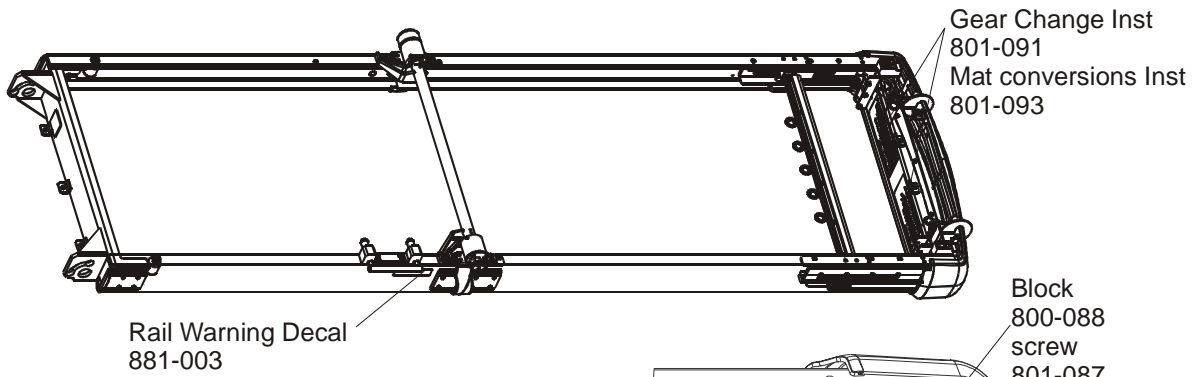


## RAIL ASSEMBLY 2

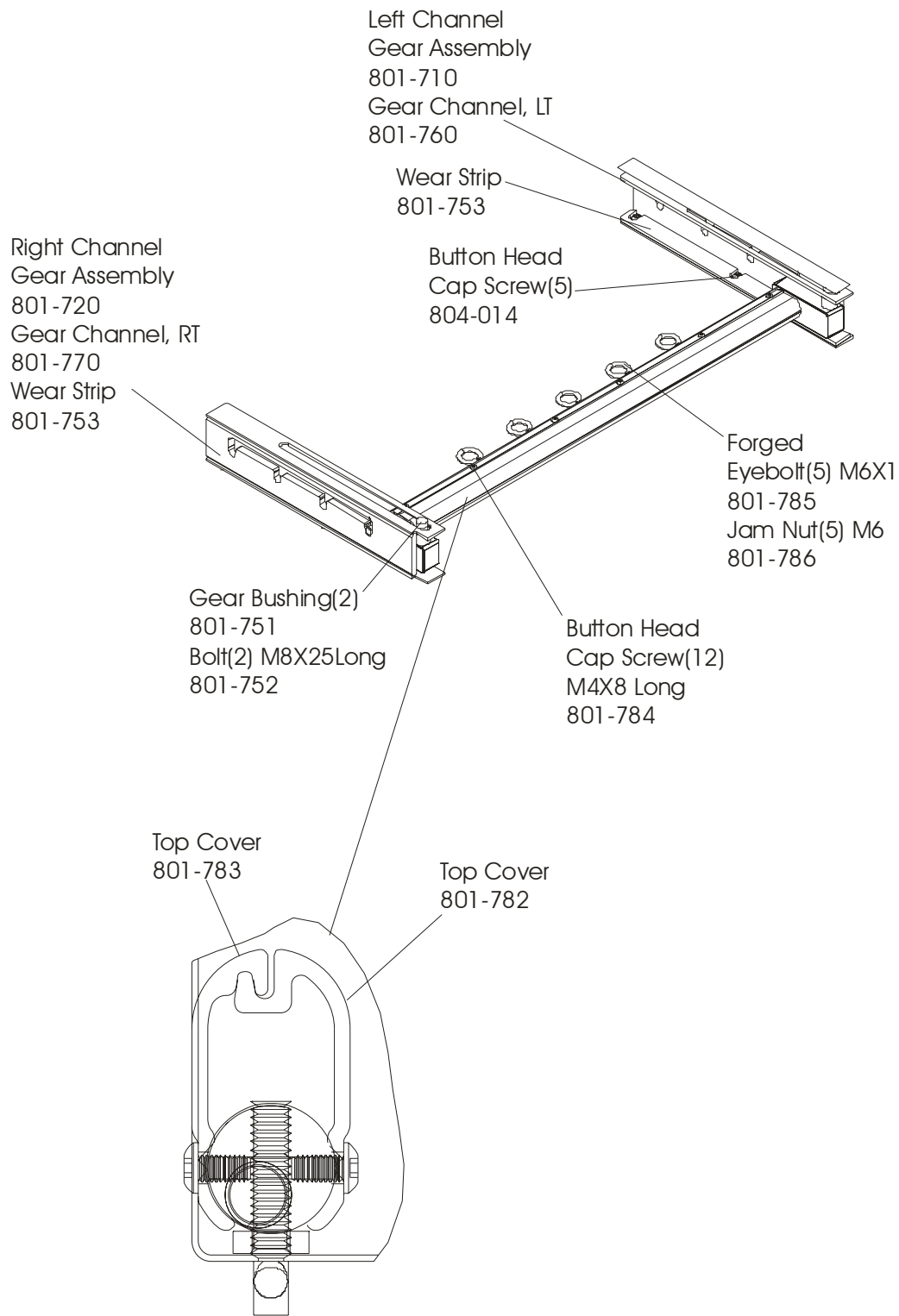
---



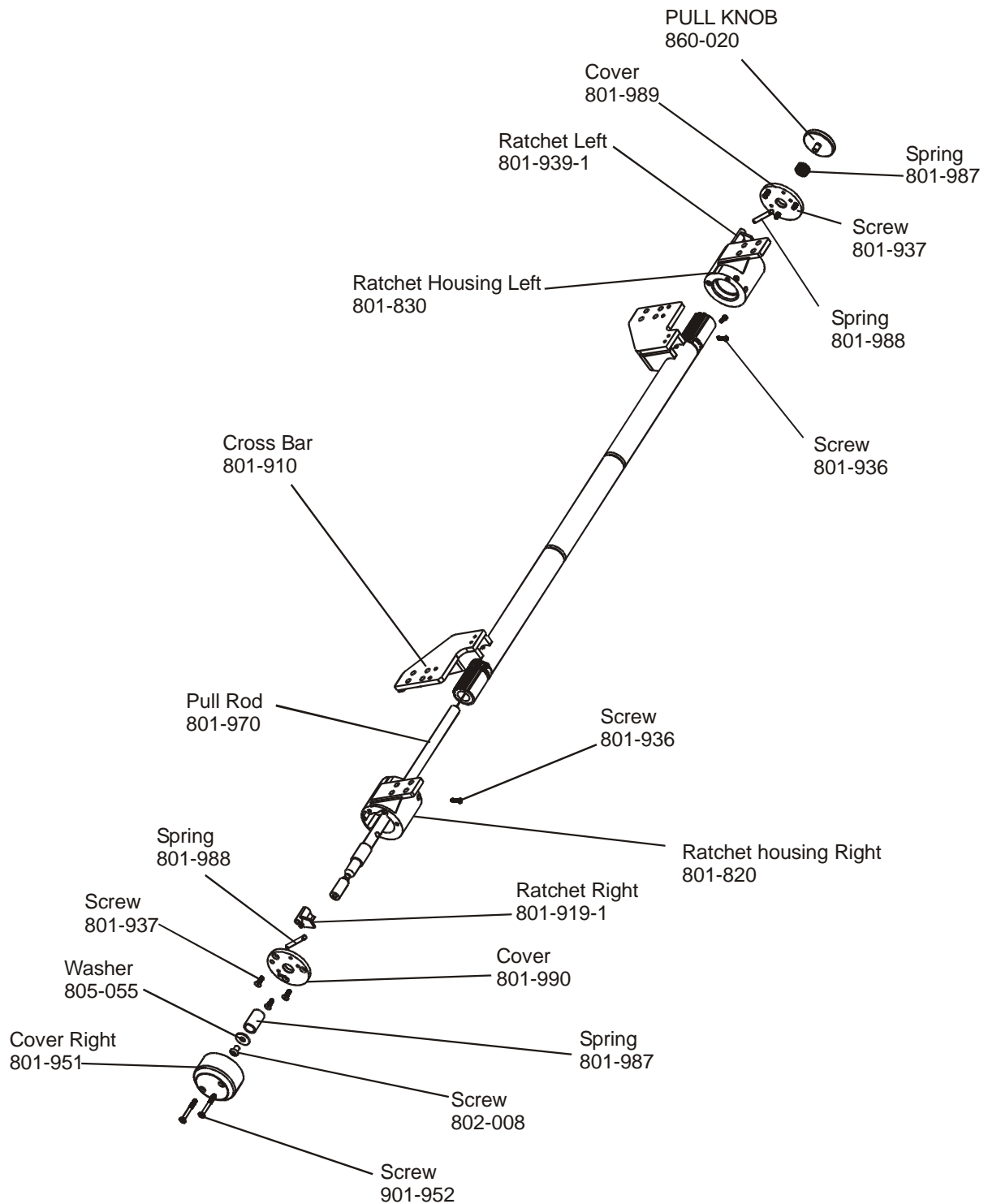
## RAIL ASSEMBLY 3



## GEAR CHANGE BAR ASSEMBLY

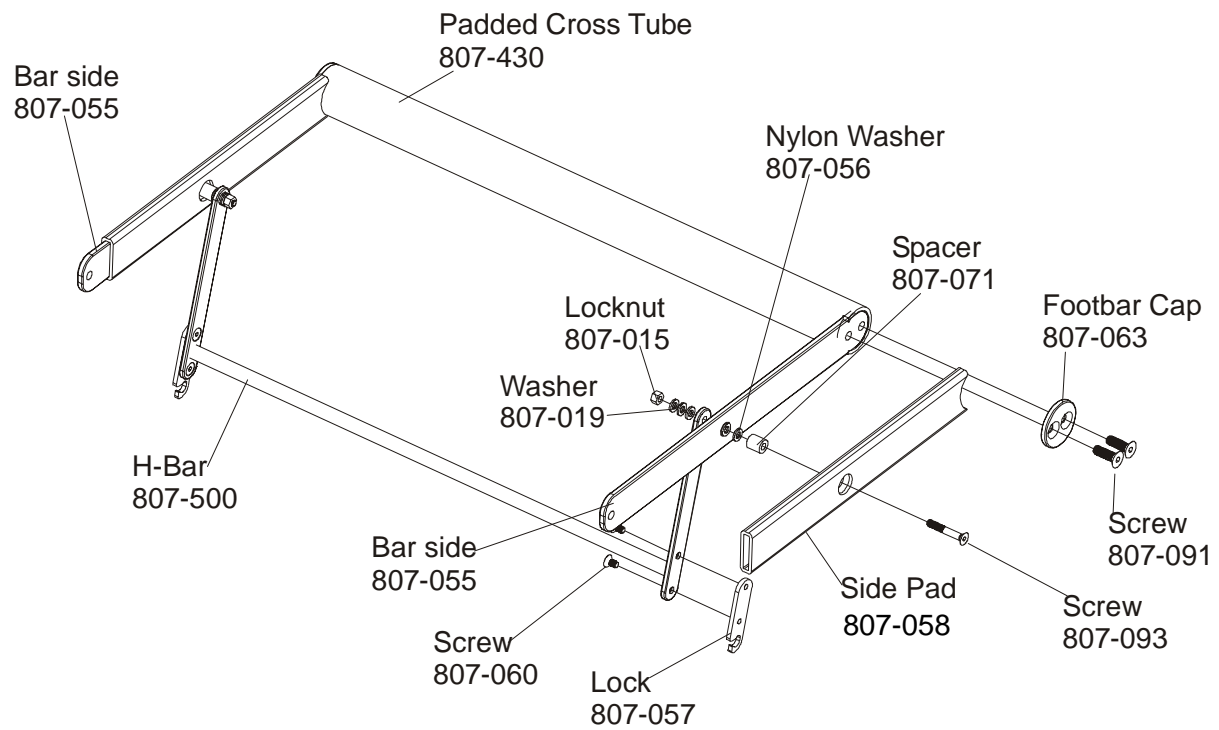


## HINGE RATCHET ASSEMBLY 801-900



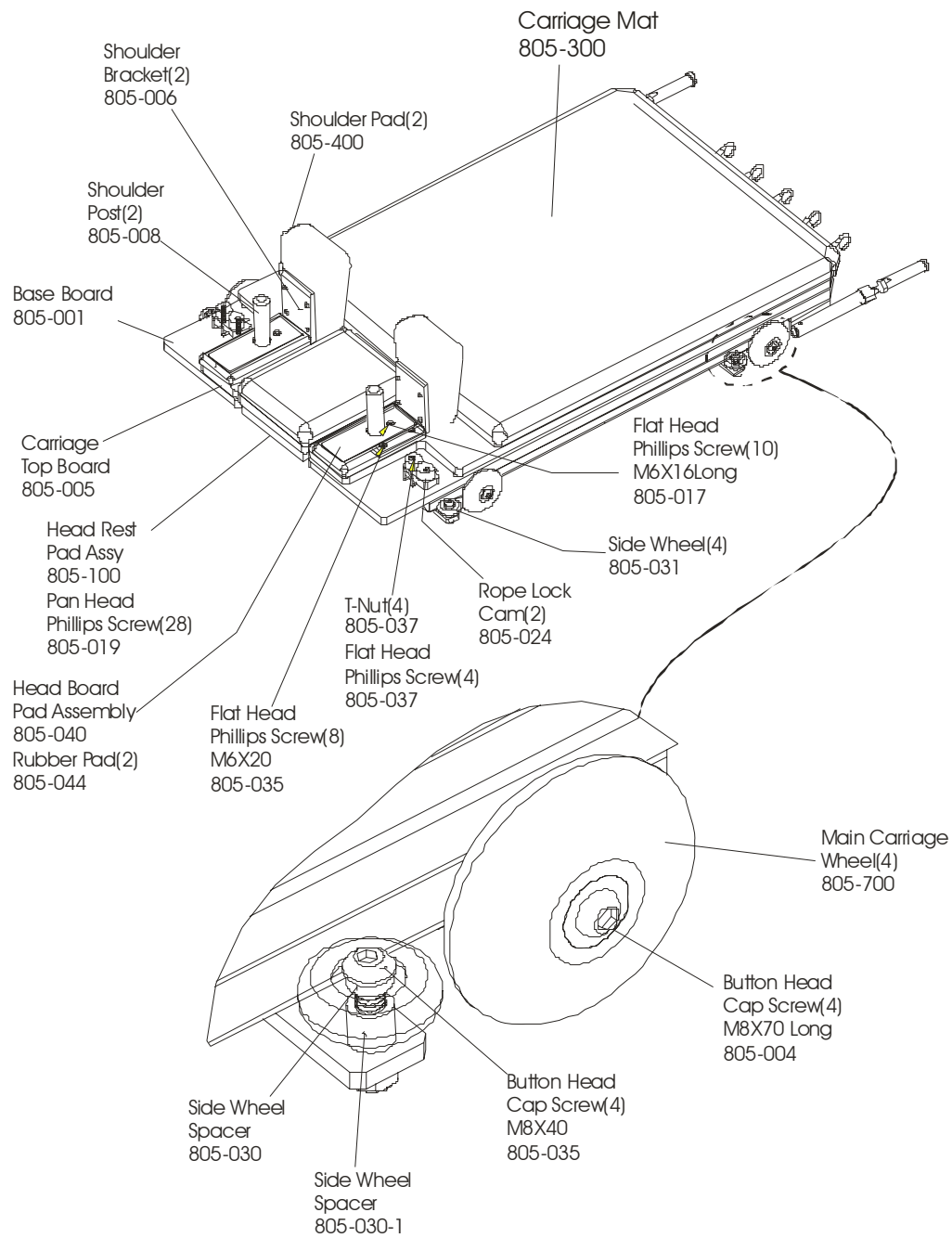
## FOOT BAR

---

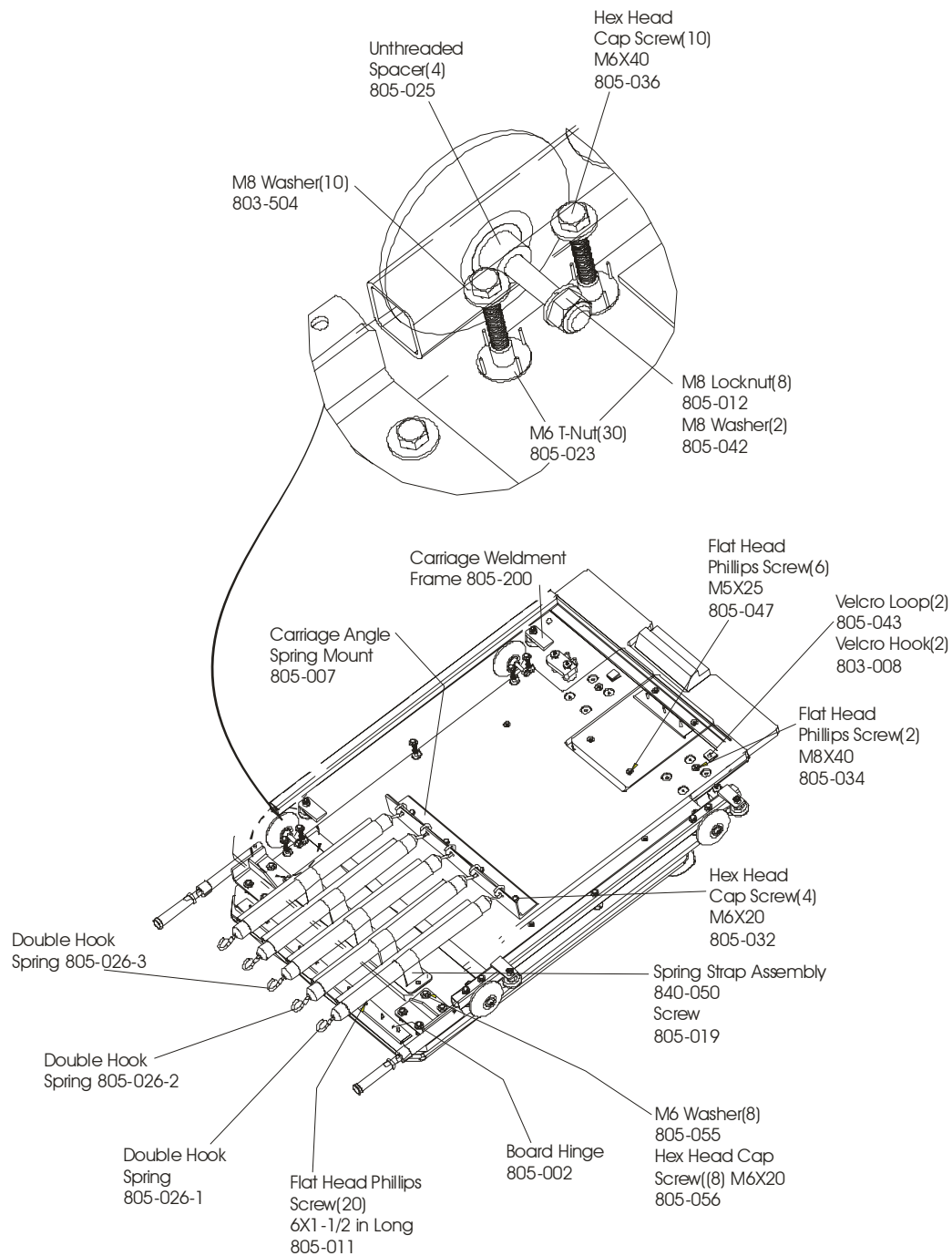




## CARRIAGE ASSEMBLY - TOP VIEW

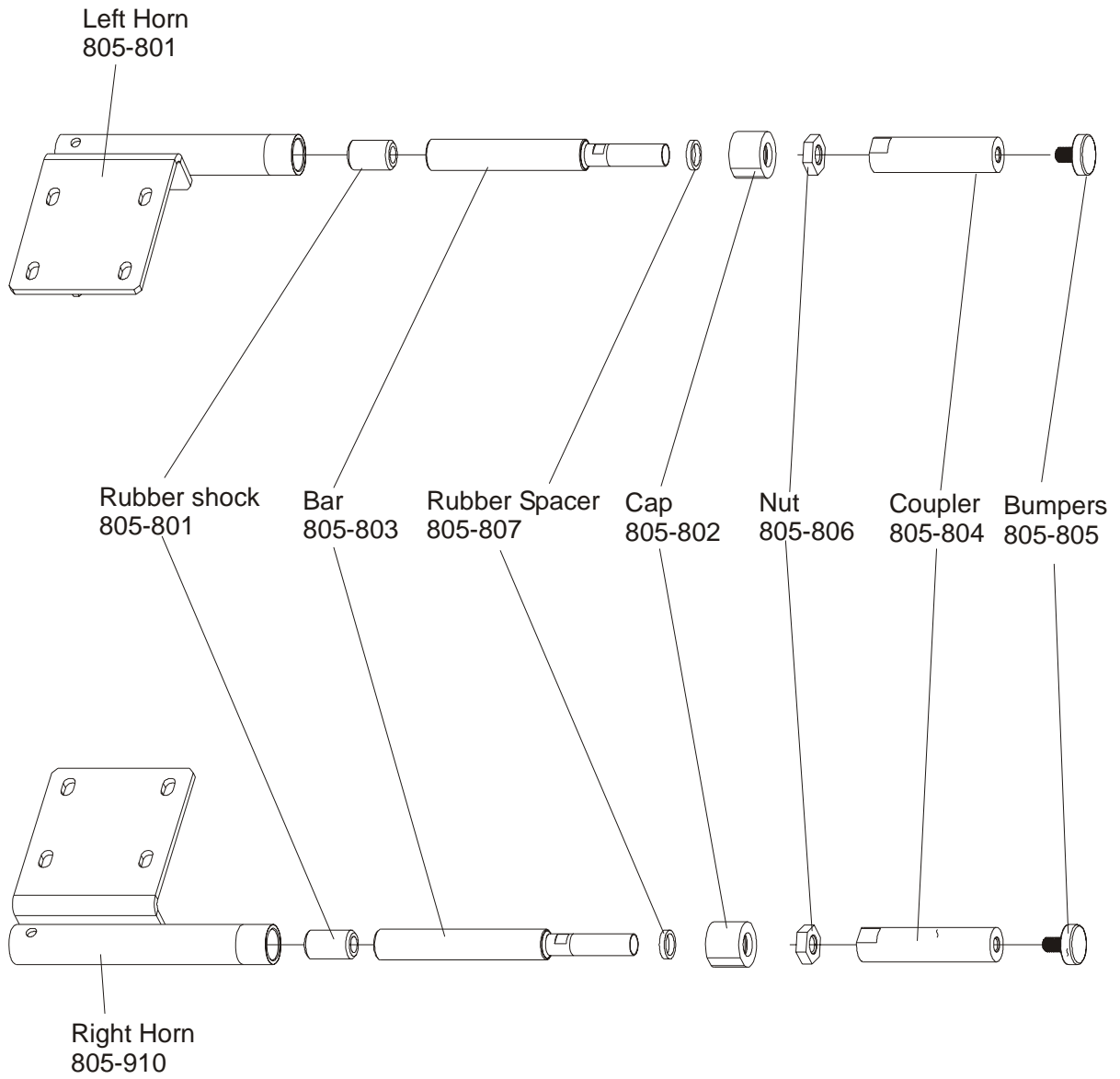


## CARRIAGE ASSEMBLY - BOTTOM VIEW

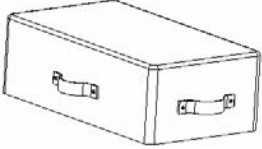




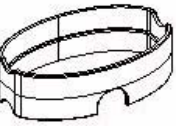
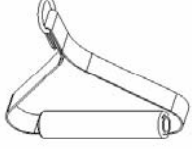


## CARRIAGE STOPS - LEFT AND RIGHT










---



## PACKAGE CONTENTS

	Description	Part Number
	Long/Short Box	810-000
	Non-Slip Pad	830-007
	Mat Set (2 mats)	806-000
	Riser Cap	804-300
	Screw - M6 x 35 mm	804-021
	Plastic Trim	804-041
	Neoprene Handle	830-200
	Double Loop	830-120

## PACKAGE CONTENTS

	Description	Part Number
	Roll Down Bar	830-300
	Short Box Foot Strap Assembly (with 2 Safety Links)	830-400
	Leg Spring Assembly (each with 2 Double Ended Clips) (444 mm (21.4 in) long)	830-100
	Arm Spring Assembly (each with 2 Double Ended Clips) (544 mm (17.5 in) long)	830-800
	Push Through Bar Spring Assembly (with 1 Snap Clip, 1 Safety Link, and Cover)	830-700
	Safety Chain Assembly (with 2 Safety Links)	830-600
	Foot Loop	830-110
	Rope Assembly (with Double Ended Clip)	830-500
	Jump Board	800-500





