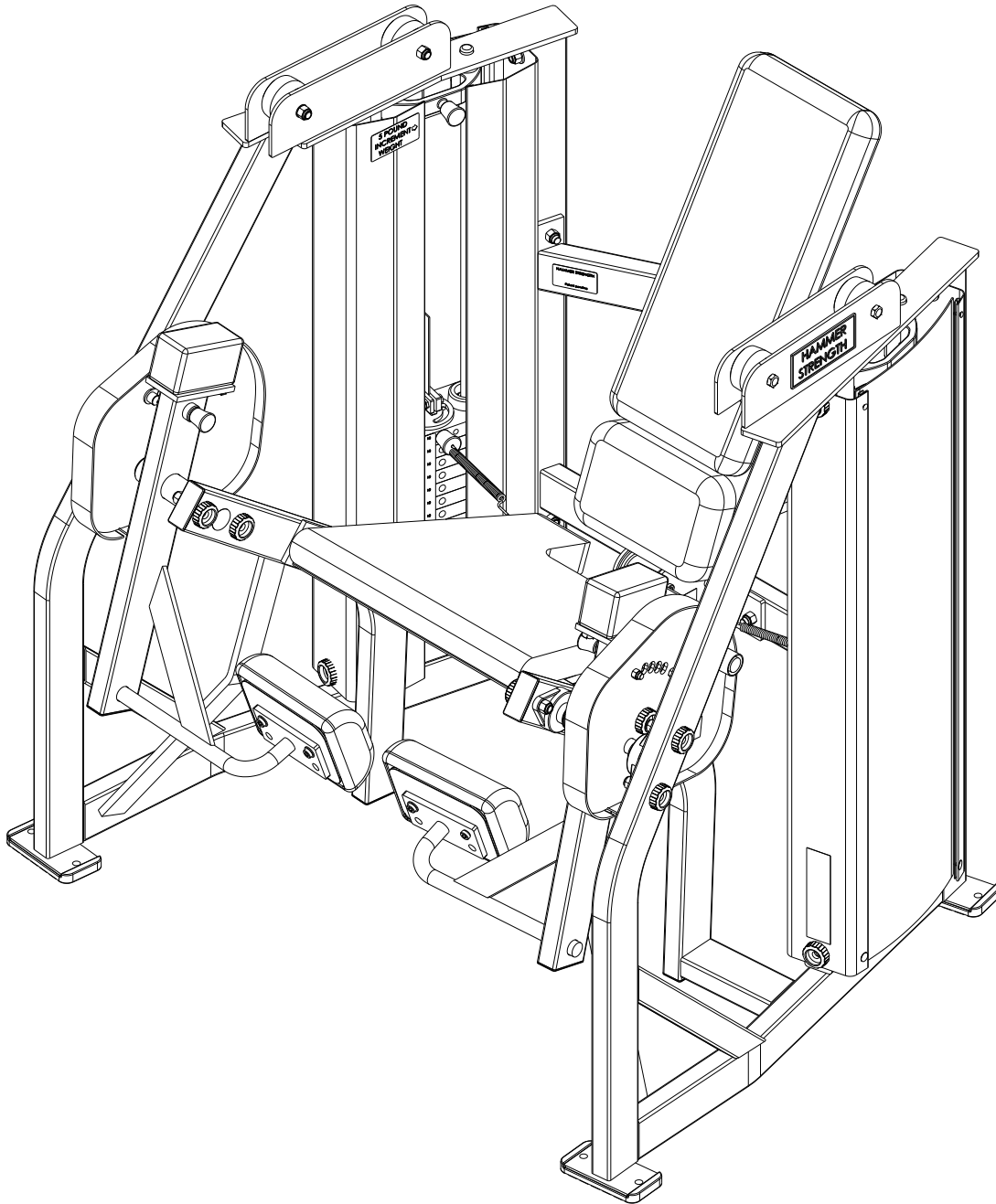




HAMMER STRENGTH  
MTSLE  
LEG EXTENSION



Customer Support Services  
**PARTS LIST**

# MTSLE LEG EXTENSION

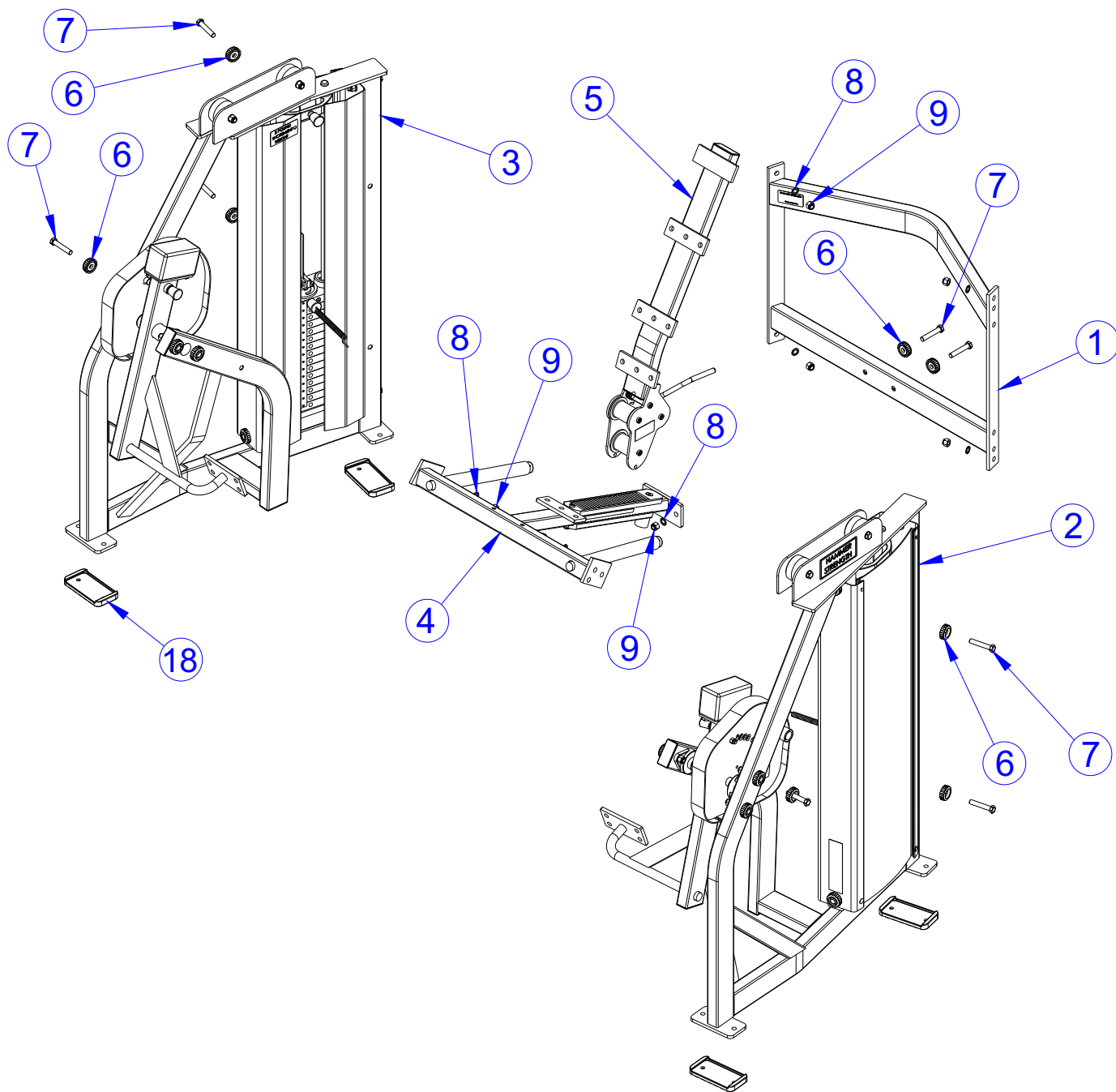
## Contents

---

COMPONANT ASSEMBLY	pg.3
COMPONANT ASSEMBLY II	4
COMPONANT ASSEMBLY LEGEND	5
RIGHT SIDE FRAME ASSEMBLY	6
RIGHT SIDE FRAME II ASSEMBLY	7
RIGHT SIDE FRAME ASSEMBLY LEGEND	8
RIGHT WORK ARM ASSEMBLY	9
SEAT FRAME ASSEMBLY	10
SEAT BACK ASSEMBLY	11
LEFT SIDE FRAME ASSEMBLY	12
LEFT SIDE FRAME II ASSEMBLY	13
LEFT SIDE FRAME ASSEMBLY LEGEND	14
LEFT WORK ARM ASSEMBLY	15
150 LB. WEIGHT STACK ASSEMBLY	16
INCREMENT WEIGHT ASSEMBLY	17
IMAGE	18

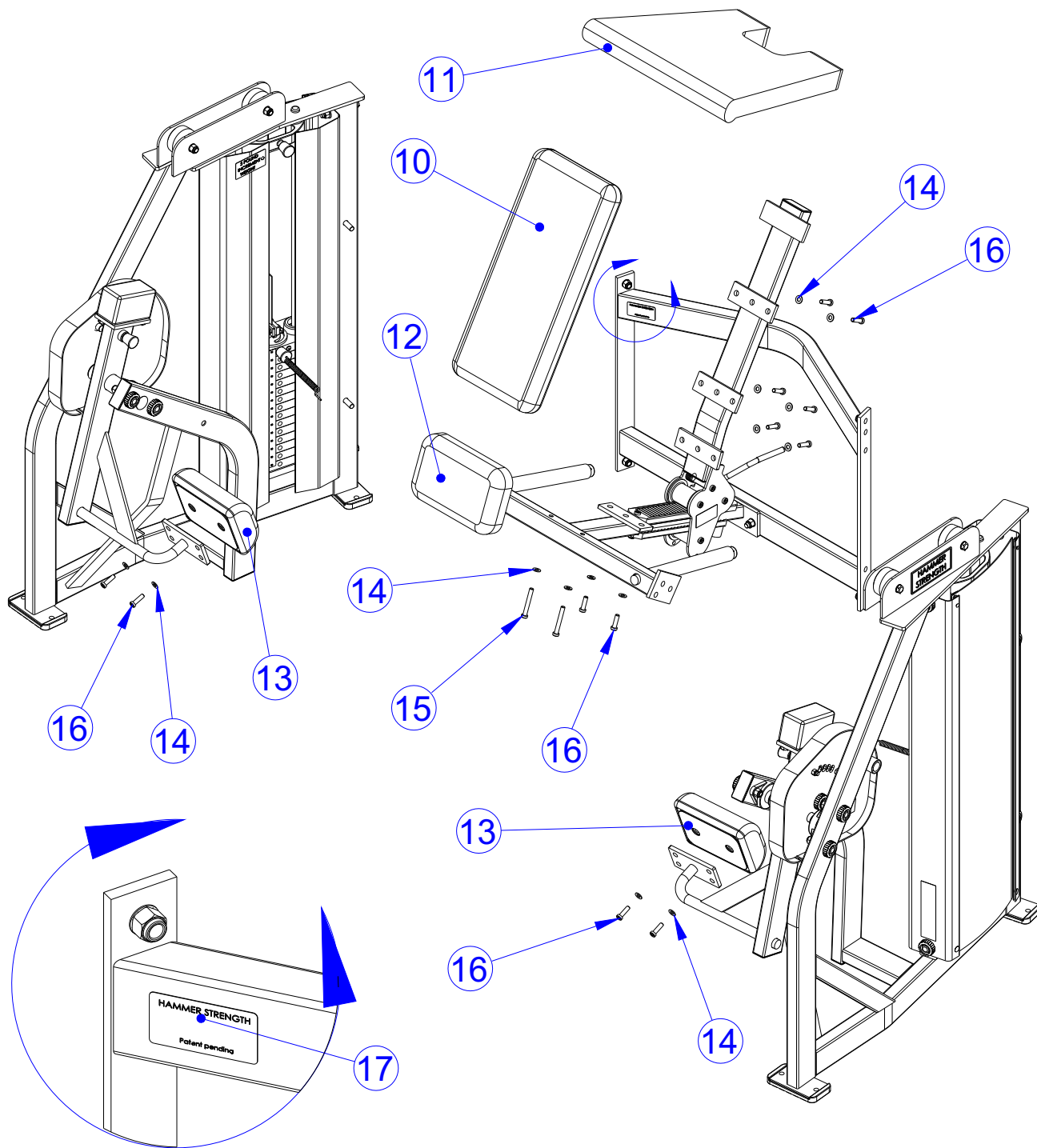
# MTSLE LEG EXTENSION COMPONENT ASSEMBLY

---



SEE PAGE 5 FOR LEGEND

# MTSLE LEG EXTENSION COMPONENT ASSEMBLY II



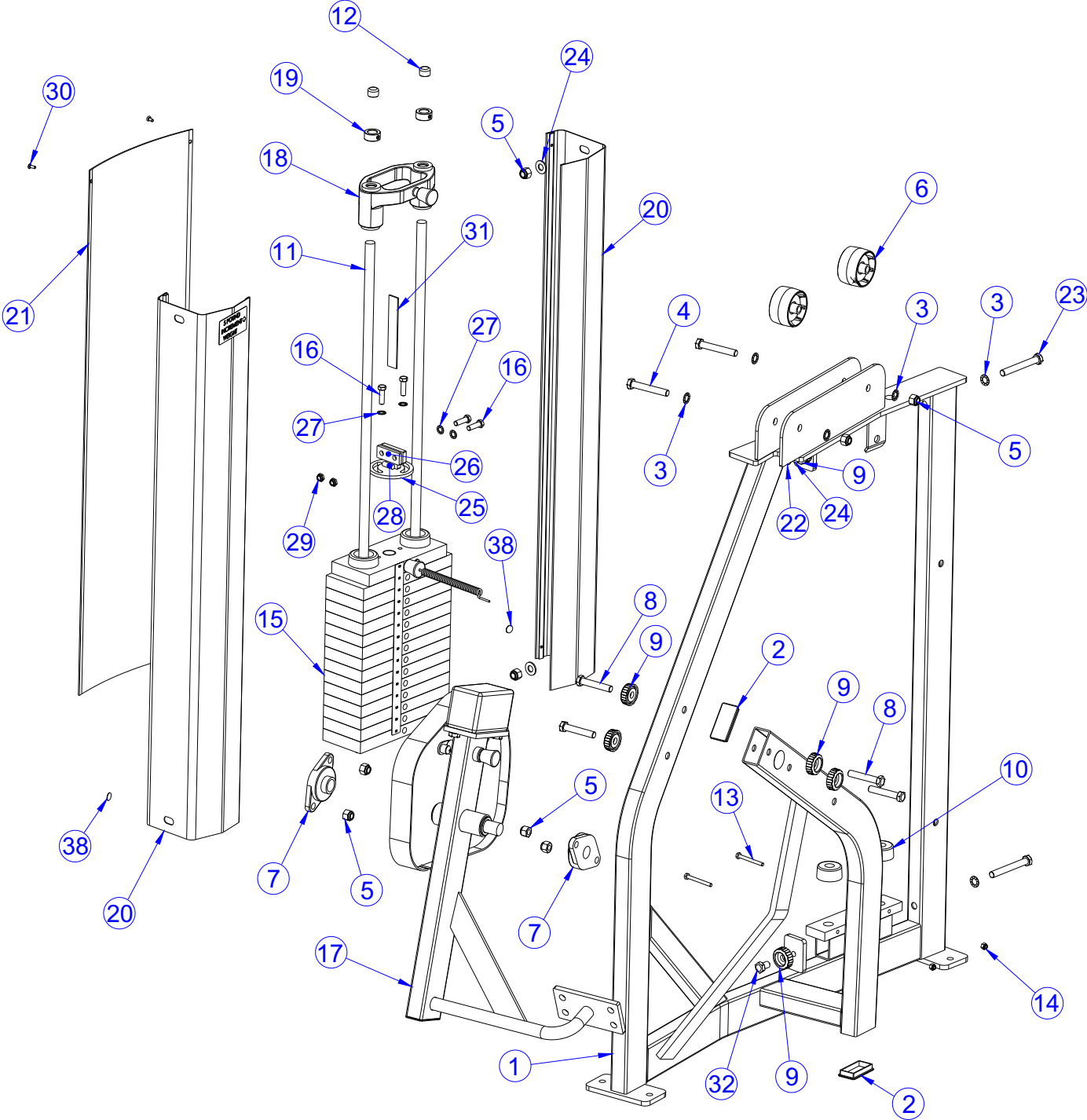
SEE PAGE 5 FOR LEGEND

# MTSLE LEG EXTENSION COMPONENT ASSEMBLY LEGEND

---

ITEM NO.	QTY.	PART NO.	DESCRIPTION
1	1	7519901	WLDMT, MTLE, BACK FRAME
2	1	7521901	ASSY, MTLE, LEFT SIDE
3	1	7522501	ASSY, MTLE, RIGHT SIDE
4	1	7522601	ASSY, MTLE, SEAT FRAME
5	1	7522701	ASSY, MTLE, SEAT BACK
6	8	7434001	WASHER, MTS, HAMMER HEAD
7	8	3239311	1/2-13 X 2.75 UNS HEX FHB G5 ZN
8	8	3239505	WSH, .500 IN-D ST ZN
9	8	3102801	NUT, NYLOCK 1/2-13 ST ZN
10	1	7398801	PAD, BACK 25 X 11-1/4
11	1	7399201	PAD, SEAT 21 X 20-1/16
12	1	7399300	PAD. 7 X 11-1/4
13	2	7499601	PAD, 9 X 6-1/2
14	14	3236601	WASHER, 3/8 SAE SS
15	2	3236212	SCREW, M10 X1.5 75MM
16	12	3236204	SCREW, M10 X1.5 35MM
17	1	M051-00299-A000	HAMMER PATENT DECAL
18	4	7388201	Footpad, PS Rubber

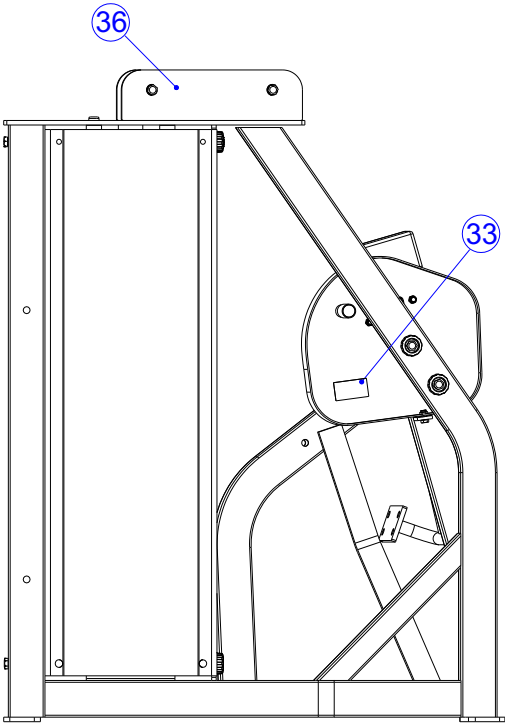
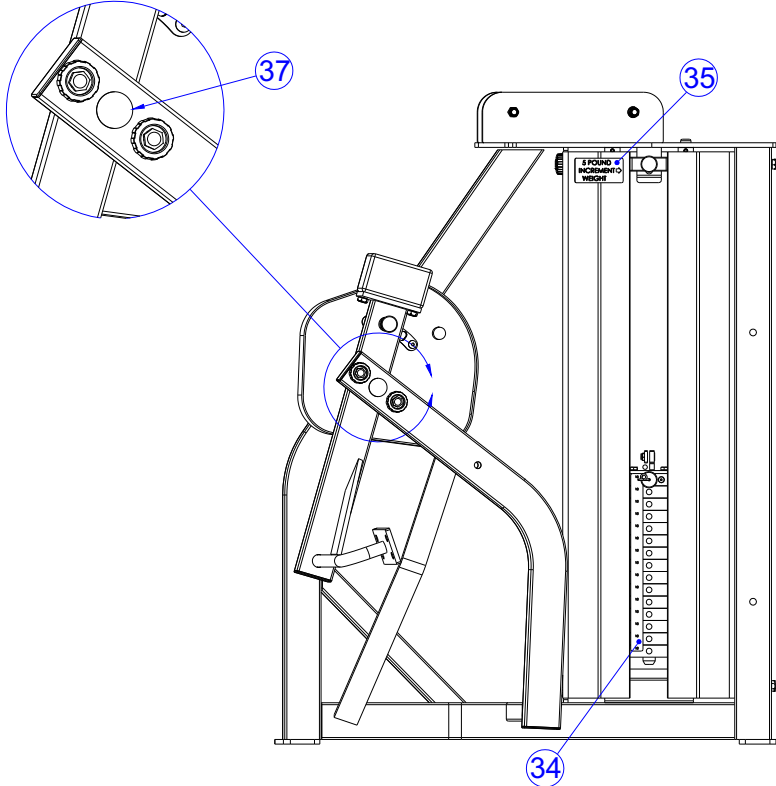
# MTSLE LEG EXTENSION RIGHT SIDE FRAME ASSEMBLY - 7522501



SEE PAGE 8 FOR LEGEND

# MTSLE LEG EXTENSION RIGHT SIDE FRAME ASSEMBLY II - 7522501

---



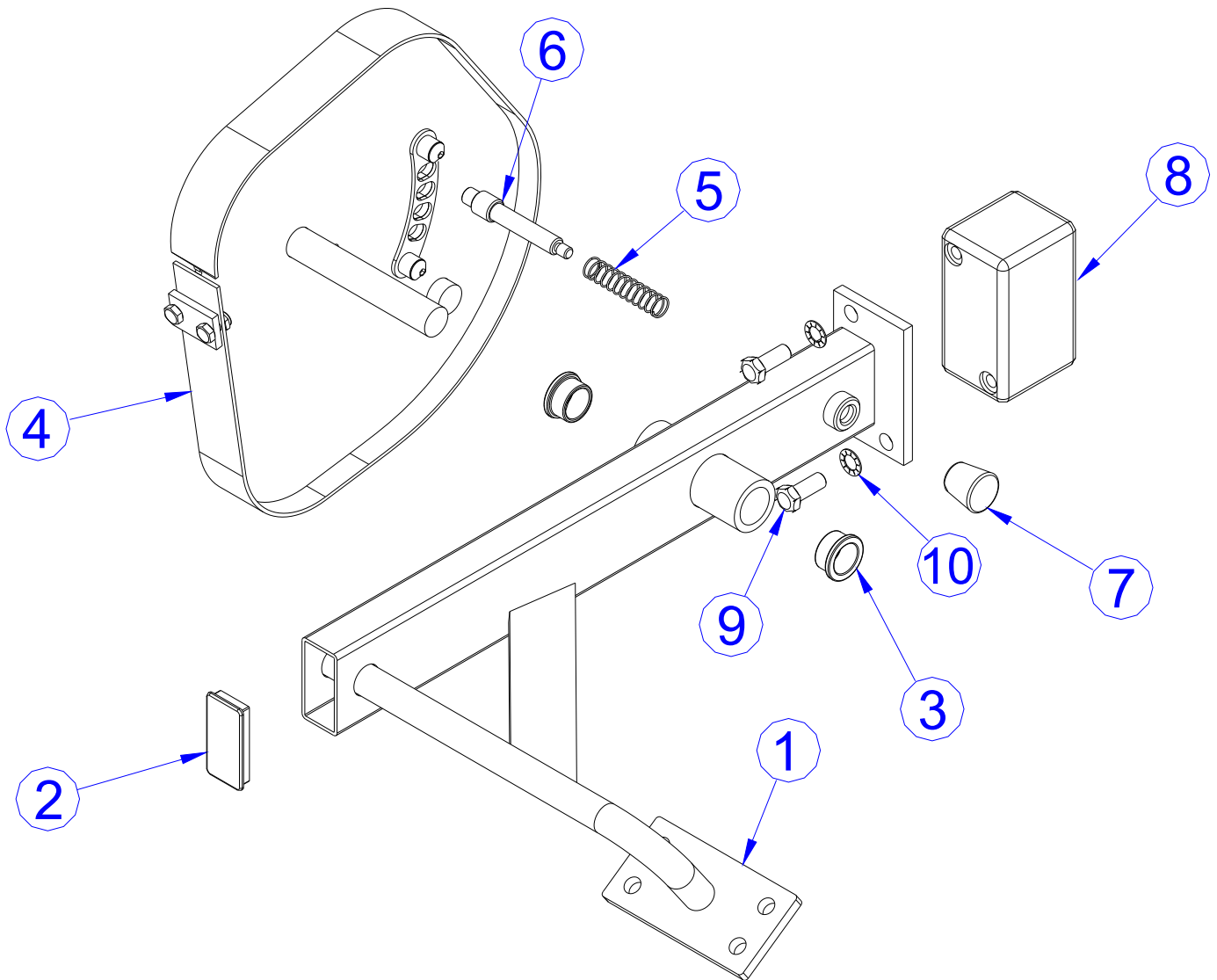
SEE PAGE 8 FOR LEGEND

# MTSLE LEG EXTENSION RIGHT SIDE FRAME ASSEMBLY LEGEND

ITEM NO.	QTY.	PART NO.	DESCRIPTION
1	1	7519801	WLDMT, MTLE, RIGHT SIDE
2	2	7477401	CAP. END, 1-1/2 X 3, 11GA SGRY
3	6	3239505	WSH, .500 IN-D ST ZN
4	2	3239313	1/2-13 X 3.25 UNS HEX FHB G5 ZN
5	8	3102801	NUT, NYLOCK 1/2-13 ST ZN
6	2	7594601	PULLEY, MTS, 3" BELT
7	2	3239901	BEARING, 2 HOLE FLANGE, 1" ID
8	4	3239311	1/2-13 X 2.75 UNS HEX FHB G5 ZN
9	6	7434001	WASHER, MTS, HAMMER HEAD
10	2	7352101	CUSHION, WEIGHT STACK
11	2	7328613	GUIDE ROD, .75 OD SOLID 43.25
12	2	3242701	CAP, END, .75 X .50. RD, BLACK
13	2	3223809	1/4-20 UNS HEX FHB G5 ZN
14	2	3102806	NUT, NYLOCK 1/4-20 ZN
15	1	7464701	ASSY, MTS, 150 LB STACK
16	4	3223302	3/8-16 X 1.25 HEX HEAD BOLT
17	1	7522301	ASSY, MTLE, ARM RIGHT
18	1	7459901	ASSY, MTS, INCREMENT WEIGHT
19	2	3103301	SHAFT COLLAR, 3/4 I.D. ZINC
20	2	7465104	SHROUD, MTS, SIDE 44.63" SGRY
21	1	7435605	PANEL, MTS, PLASTIC 44.63"
22	1	3239305	1/2-13 X 1.25 UNS HEX FHB G5 ZN
23	2	3239316	1/2-13 X 4.00 UNS HEX FHB G5 ZN
24	3	3102507	WASHER, TYPE A PLAIN
25	1	7436595	WLDMT, MTS, BELT ATTACH LH
26	1	7435295	PLATE, MTS, BELT CLAMP
27	4	3239503	WSH, .375 IN-D ST ZN
28	1	7435101	SHAFT, 3/8" DIA SS, BELT WRAP
29	2	3102807	NUT, NYLOCK 3/8-16 LOW HT
30	2	0017-00101-1587	SHIELD RIVET
31	1	7435701	BELT, SPOOLED, W15/16, T.09
32	1	3239303	1/2-13 X .75 UNS HEX FHB G5 ZN
33	1	7422003	LABEL, MOVING PARTS
34	1	M051-00294-A000	WEIGHT STACK NUMBER STRIP
35	1	M051-00297-A000	INCREMENT WT. DECAL (RIGHT)
36	1	M051-00289-A000	HAMMER STRENGTH NAME PLATE
37	1	7488701	LABEL, AXIS OF ROTATION
38	2	7564101	LABEL, MTS, .625 DIA HOLE COVER

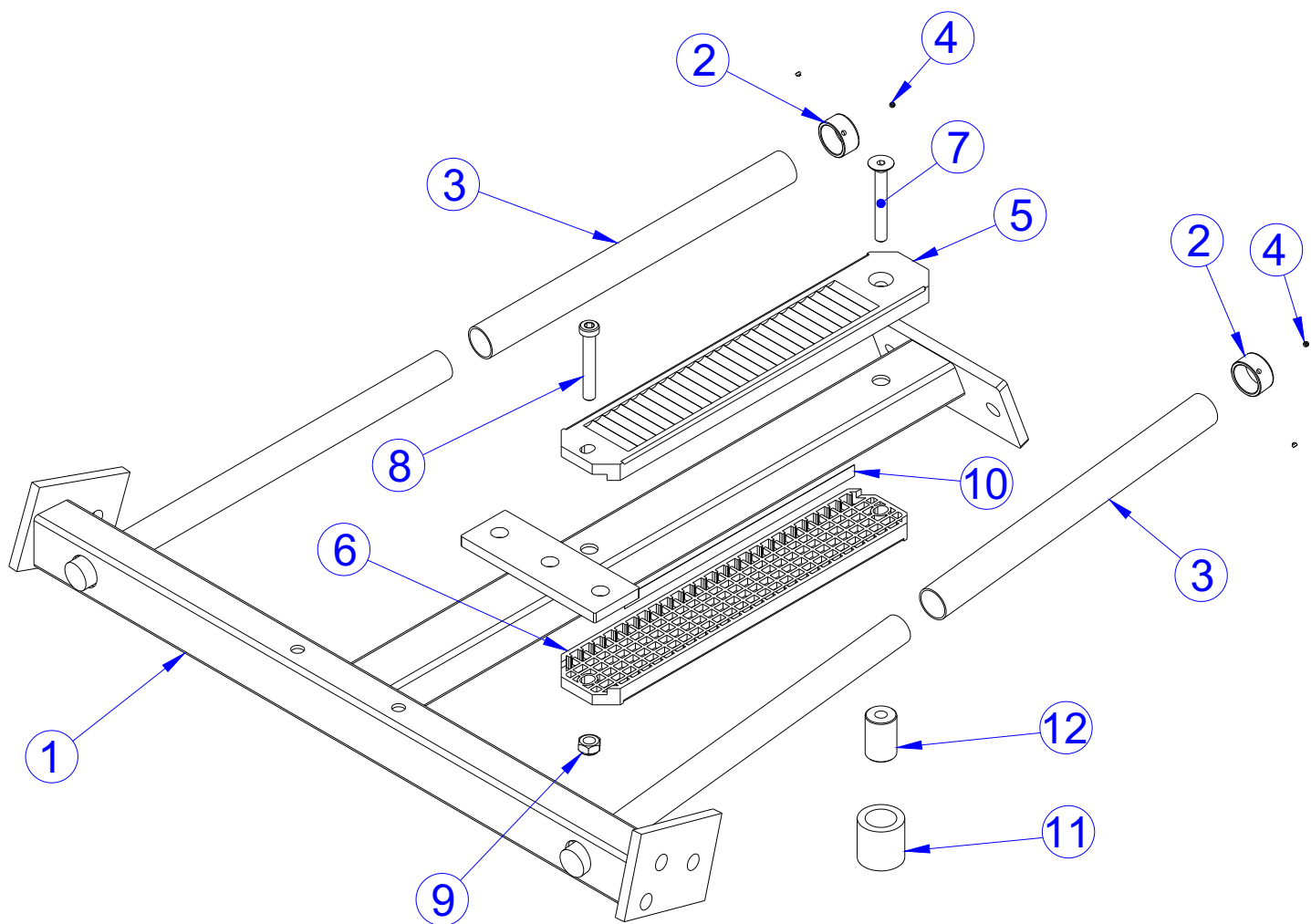


# MTSLE LEG EXTENSION RIGHT WORK ARM ASSEMBLY - 7522301



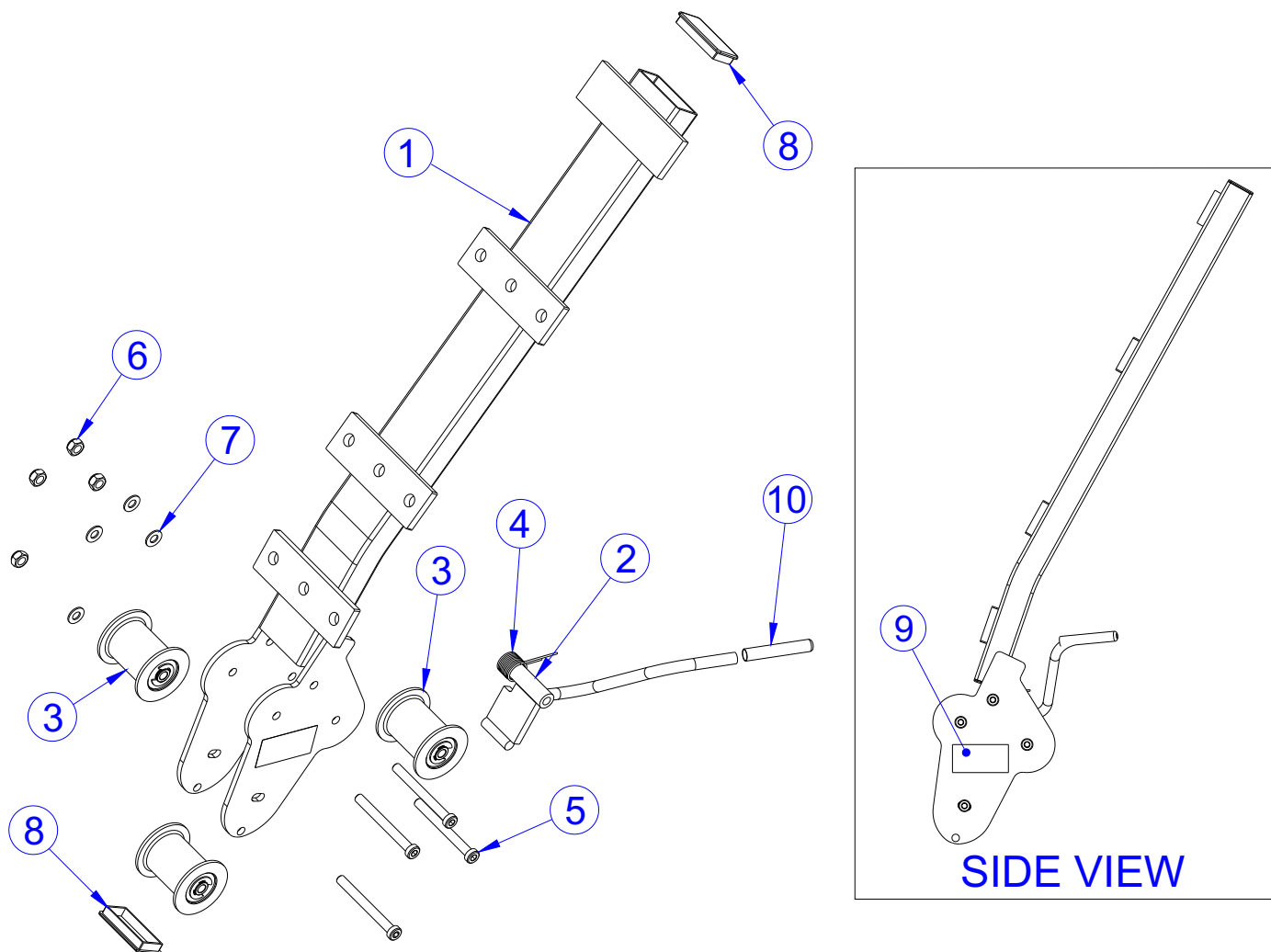
ITEM NO.	QTY.	PART NO.	DESCRIPTION
1	1	7519701	WLDMT, MTLE, MOVE ARM RIGHT
2	1	7477401	CAP. END, 1-1/2 X 3, 11GA SGRY
3	2	3104906	1.00" ID 1.25" OD BRONZ BUSHING
4	1	7522401	ASSY, MTLE, CAM RIGHT
5	1	7351501	SPRING; PULL PIN LARGE
6	1	7351300	PIN, PULL
7	1	7351401	KNOB, TULIP STYLE
8	1	7802201	COUNTER WEIGHT, MTLE
9	2	3239305	1/2-13 X 1.25 UNS HEX FHB G5 ZN
10	2	3239505	WSH, .500 IN-D ST ZN

# MTSLE LEG EXTENSION SEAT FRAME ASSEMBLY - 7522601



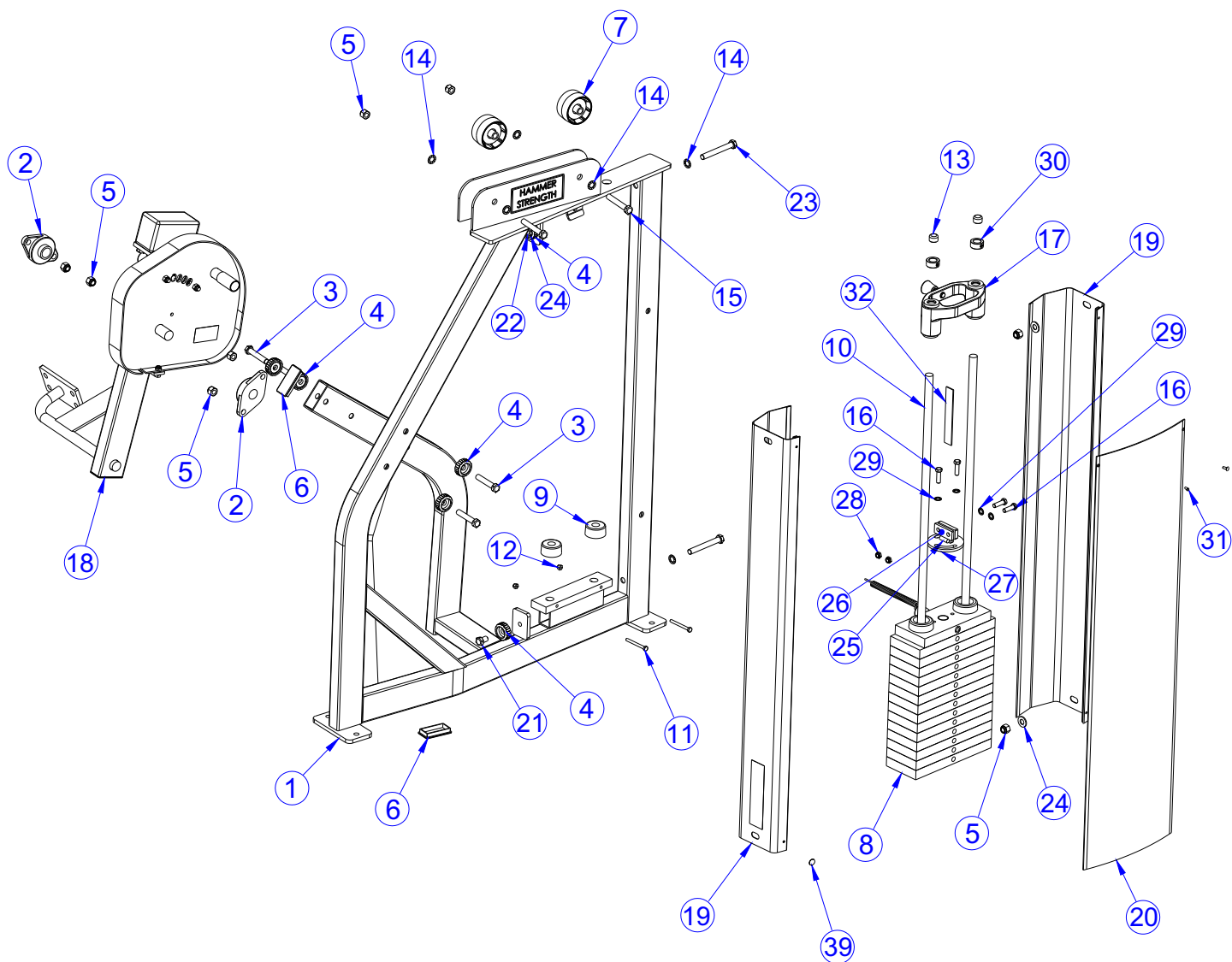
ITEM NO.	QTY.	PART NO.	DESCRIPTION
1	1	7520301	WLDMT, MTLE, SEAT FRAME
2	2	7662901	CAP, GRIP 1.25 OD
3	2	3235801	GRIP, SHADOW GRAY, 13"
4	4	3247701	M4 X .7 HXS NO CUP ST BO
5	1	7564301	SEATRACK, ROLLER SERRATED
6	1	7564401	SEATRACK, FLAT
7	1	3238312	M10x1.5x75mm
8	1	3236210	SCREW, M10 X1.5 65MM
9	1	3236801	NUT, M10 HEX NYLOCK SS
10	1	7422002	LABEL, SEAT ADJUST
11	1	3235802	GRIP, SHADOW GRAY, 1.5"
12	1	7570601	STOP, ROLLER SEAT

# MTSLE LEG EXTENSION SEAT BACK ASSEMBLY - 7522701



ITEM NO.	QTY.	PART NO.	DESCRIPTION
1	1	7520701	WLDMT, MTS, SEAT BACK
2	1	7387595	WELDMNT, PS-ROLLER SEAT HANDLE
3	3	7564201	ASSY, SEAT ROLLER
4	1	7442701	SPRNG, PRO2 HANDLE TORSION
5	4	3236217	SCREW, M10 X1.5 100MM
6	4	3236801	NUT, M10 HEX NYLOCK SS
7	4	3236601	WASHER, 3/8 SAE SS
8	2	7477401	CAP. END, 1-1/2 X 3, 11GA SGRY
9	1	7422001	LABEL, SEAT INST
10	1	3238502	CAP, 1/2 X 3

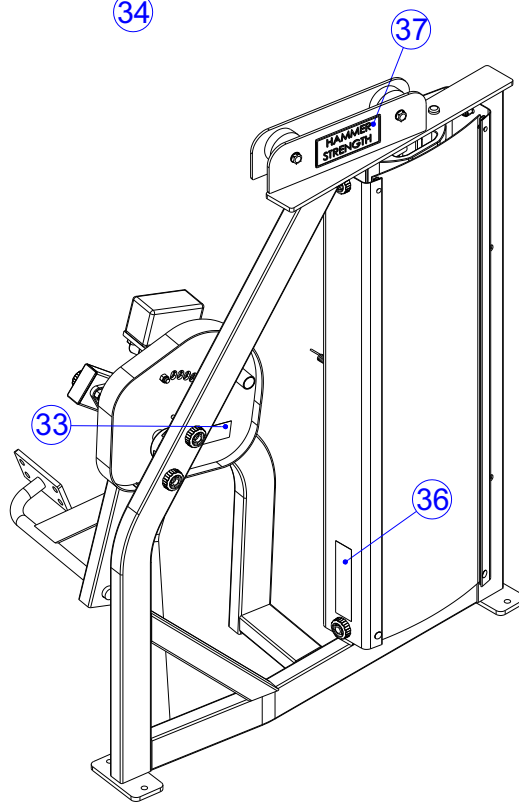
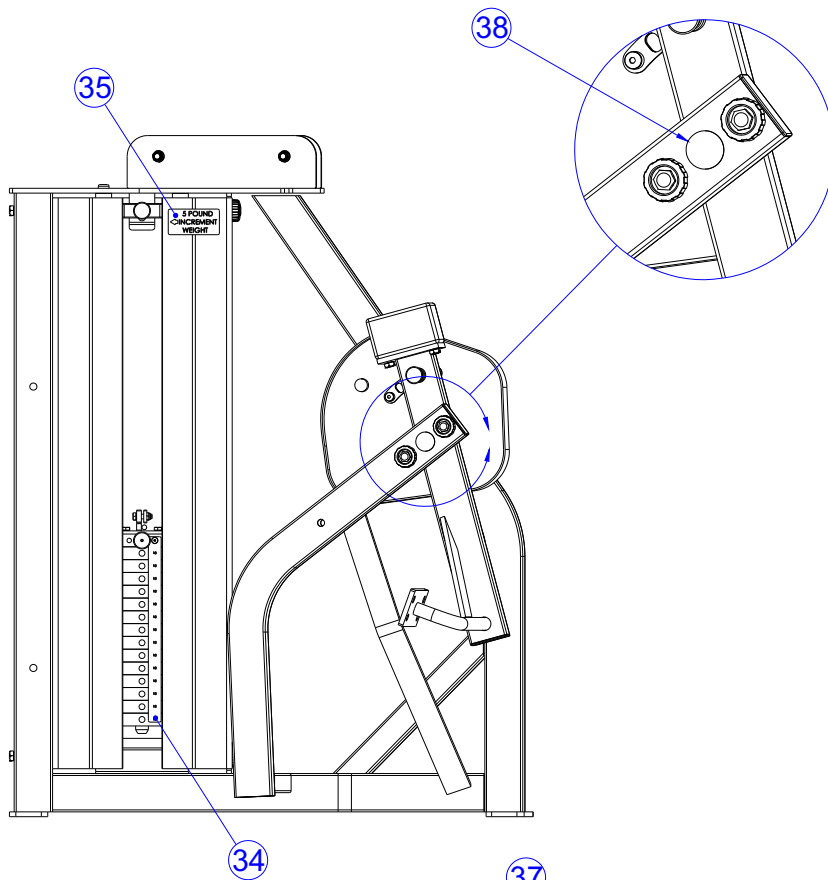
# MTSLE LEG EXTENSION LEFT FRAME ASSEMBLY - 7521901



SEE PAGE 14 FOR LEGEND

# MTSLE LEG EXTENSION LEFT FRAME ASSEMBLY II - 7521901

---

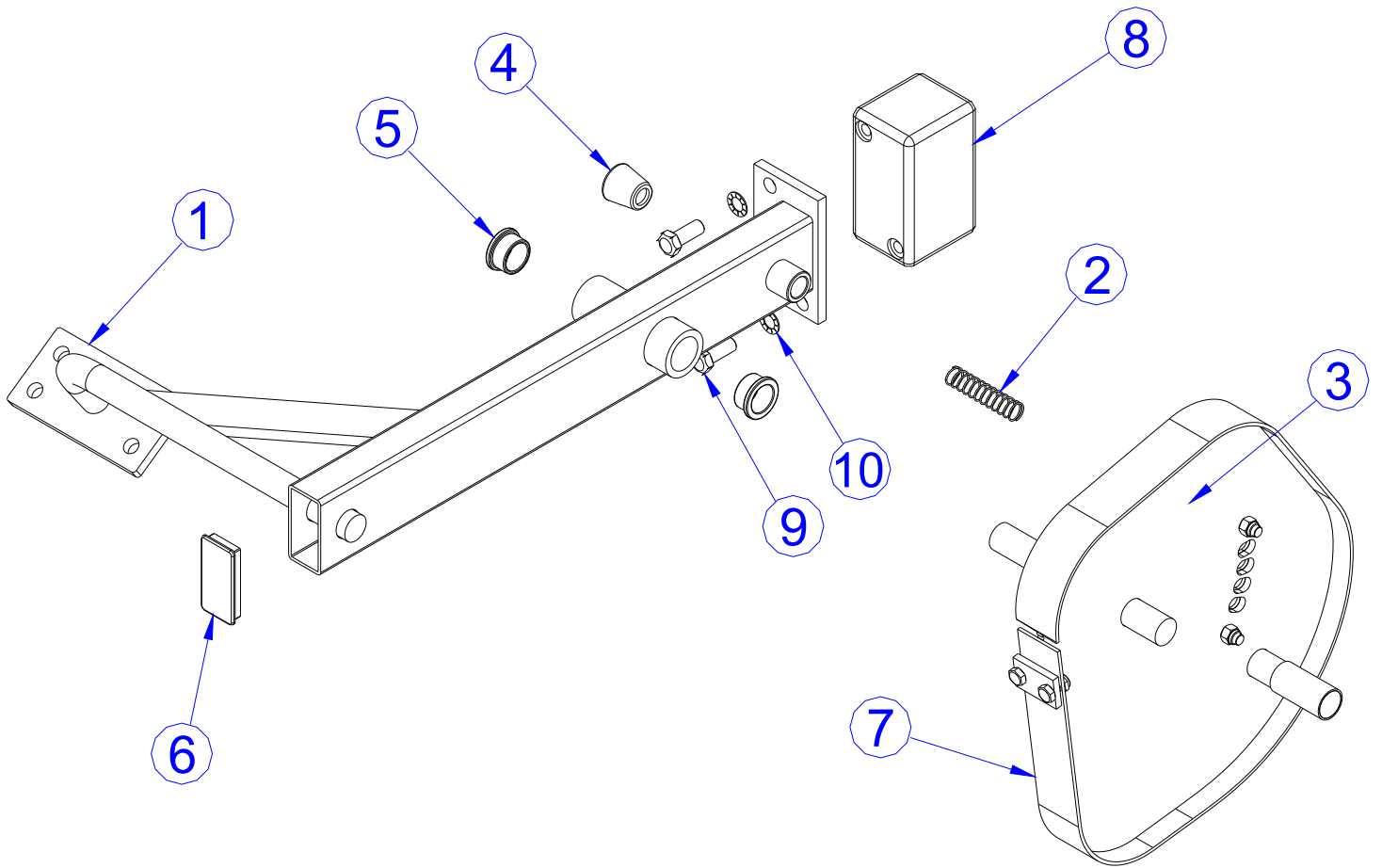


SEE PAGE 14 FOR LEGEND

# MTSLE LEG EXTENSION LEFT SIDE FRAME LEGEND

ITEM NO.	QTY.	PART NO.	DESCRIPTION
1	1	7517901	WLDMT, MTLE, LEFT SIDE
2	2	3239901	BEARING, 2 HOLE FLANGE, 1" ID
3	4	3239311	1/2-13 X 2.75 UNS HEX FHB G5 ZN
4	6	7434001	WASHER, MTS, HAMMER HEAD
5	8	3102801	NUT, NYLOCK 1/2-13 ST ZN
6	2	7477401	CAP. END, 1-1/2 X 3, 11GA SGRY
7	2	7594601	PULLEY, MTS, 3" BELT
8	1	7464701	ASSY, MTS, 150 LB STACK
9	2	7352101	CUSHION, WEIGHT STACK
10	2	7328613	GUIDE ROD, .75 OD SOLID 43.25
11	2	3223809	1/4-20 UNS HEX FHB G5 ZN
12	2	3102806	NUT, NYLOCK 1/4-20 ZN
13	2	3242701	CAP, END, .75 X .50. RD, BLACK
14	6	3239505	WSH, .500 IN-D ST ZN
15	2	3239313	1/2-13 X 3.25 UNS HEX FHB G5 ZN
16	4	3223302	3/8-16 X 1.25 HEX HEAD BOLT
17	1	7459901	ASSY, MTS, INCREMENT WEIGHT
18	1	7522001	ASSY, MTLE, ARM LEFT
19	2	7465104	SHROUD, MTS, SIDE 44.63" SGRY
20	1	7435605	PANEL, MTS, PLASTIC 44.63"
21	1	3239303	1/2-13 X .75 UNS HEX FHB G5 ZN
22	1	3239305	1/2-13 X 1.25 UNS HEX FHB G5 ZN
23	2	3239316	1/2-13 X 4.00 UNS HEX FHB G5 ZN
24	3	3102507	WASHER, TYPE A PLAIN
25	1	7435101	SHAFT, 3/8" DIA SS, BELT WRAP
26	1	7435295	PLATE, MTS, BELT CLAMP
27	1	7434895	WLDMT, MTS, BELT ATTACH
28	2	3102807	NUT, NYLOCK 3/8-16 LOW HT
29	4	3239503	WSH, .375 IN-D ST ZN
30	2	3103301	SHAFT COLLAR, 3/4 I.D. ZINC
31	2	0017-00101-1587	SHIELD RIVET
32	1	7435701	BELT, SPOOLED, W15/16, T.09
33	1	7422003	LABEL, MOVING PARTS
34	1	M051-00294-A000	WEIGHT STACK NUMBER STRIP
35	1	M051-00298-A000	INCREMENT WT. DECAL (LEFT)
36	1	7422004	LABEL, 2" ASTM WARN
37	1	M051-00289-A000	HAMMER STRENGTH NAME PLATE
38	1	7488701	LABEL, AXIS OF ROTATION
39	2	7564101	LABEL, MTS, .625 DIA HOLE COVER

# MTSLE LEG EXTENSION LEFT WORK ARM ASSEMBLY - 7522001

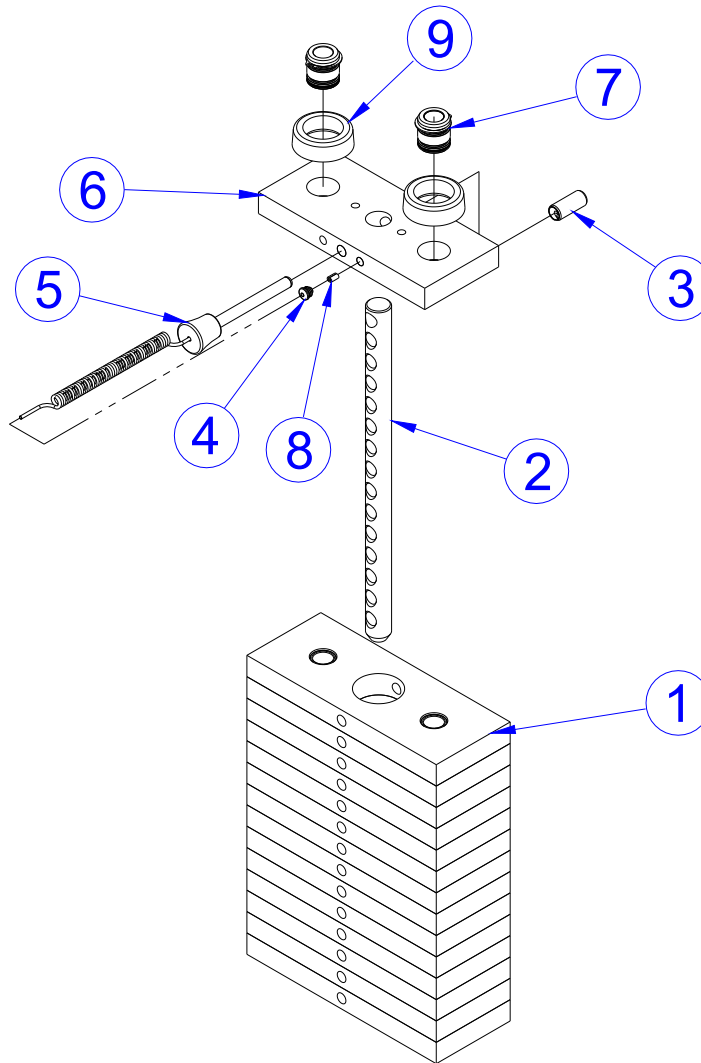


ITEM NO.	QTY.	PART NO.	DESCRIPTION
1	1	7519001	WLDMT, MTLE, MOVE ARM LEFT
2	1	7351501	SPRING; PULL PIN LARGE
3	1	7351300	PIN, PULL
4	1	7351401	KNOB, TULIP STYLE
5	2	3104906	1.00" ID 1.25" OD BRONZ BUSHING
6	1	7477401	CAP. END, 1-1/2 X 3, 11GA SGRY
7	1	7522101	ASSY, MTLE, CAM LEFT
8	1	7802201	COUNTER WEIGHT, MTLE
9	2	3239305	1/2-13 X 1.25 UNS HEX FHB G5 ZN
10	2	3239505	WSH, .500 IN-D ST ZN

# MTSLE LEG EXTENSION 150 LBS. WEIGHT STACK ASSEMBLY - 7464701

## Weight Stack Labels

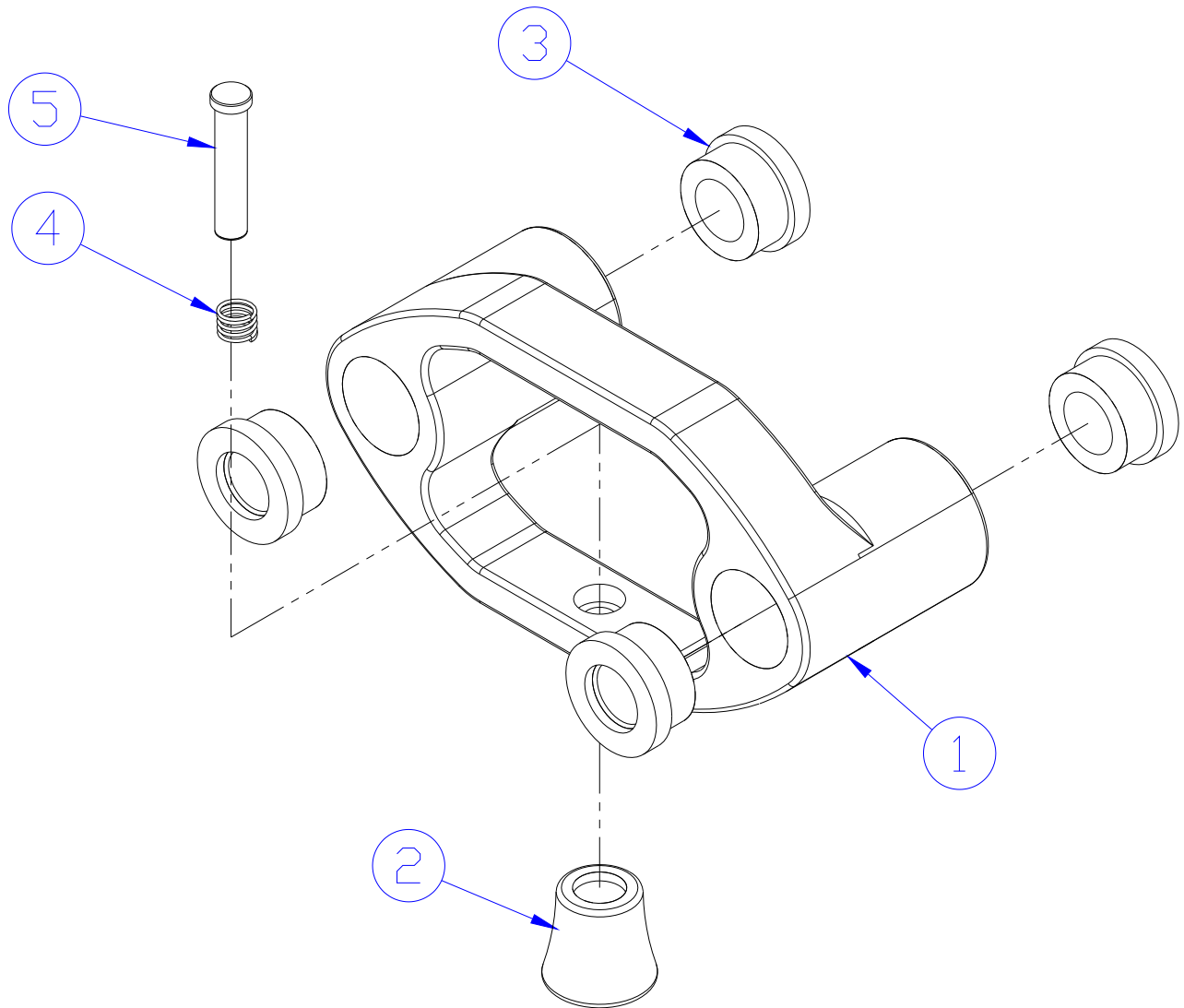
PART NO.	DESCRIPTION
8072201	LABEL, MTS, WGHT STK, 150 LBS
8072101	LABEL, MTS, WGHT STK, 80 KG



ITEM NO.	QTY.	PART NO.	DESCRIPTION
1	14	7353701	ASSY, 10 LB PLATE
2	1	7464801	BAYONET, MTS, 15 HOLE
3	1	3236001	BUSHING, SPRING PIN
4	1	7356501	PLUG, LANYARD ATTACHMENT
5	1	7353001	ASSY, SELECTOR PIN
6	1	7434401	HEAD PLATE, MTS
7	2	7338001	BUSHING, HEADPLATE
8	1	7523601	CRIMP, CABLE
9	2	7767601	BUMPER, PS INCREMENT WT



# MTSLE LEG EXTENSION INCREMENT WEIGHT ASSEMBLY - 7459901



ITEM NO.	QTY.	PART NO.	DESCRIPTION
1	1	7459801	BLOCK, MTS, INCREMENT WEIGHT
2	1	7351401	KNOB, TULIP STYLE
3	4	7560001	BUSHING, MTS, INC WEIGHT
4	1	7447001	SPRING, COMPRESSION
5	1	7446901	PIN, RETAINING

# MTSLE LEG EXTENSION IMAGE

---

