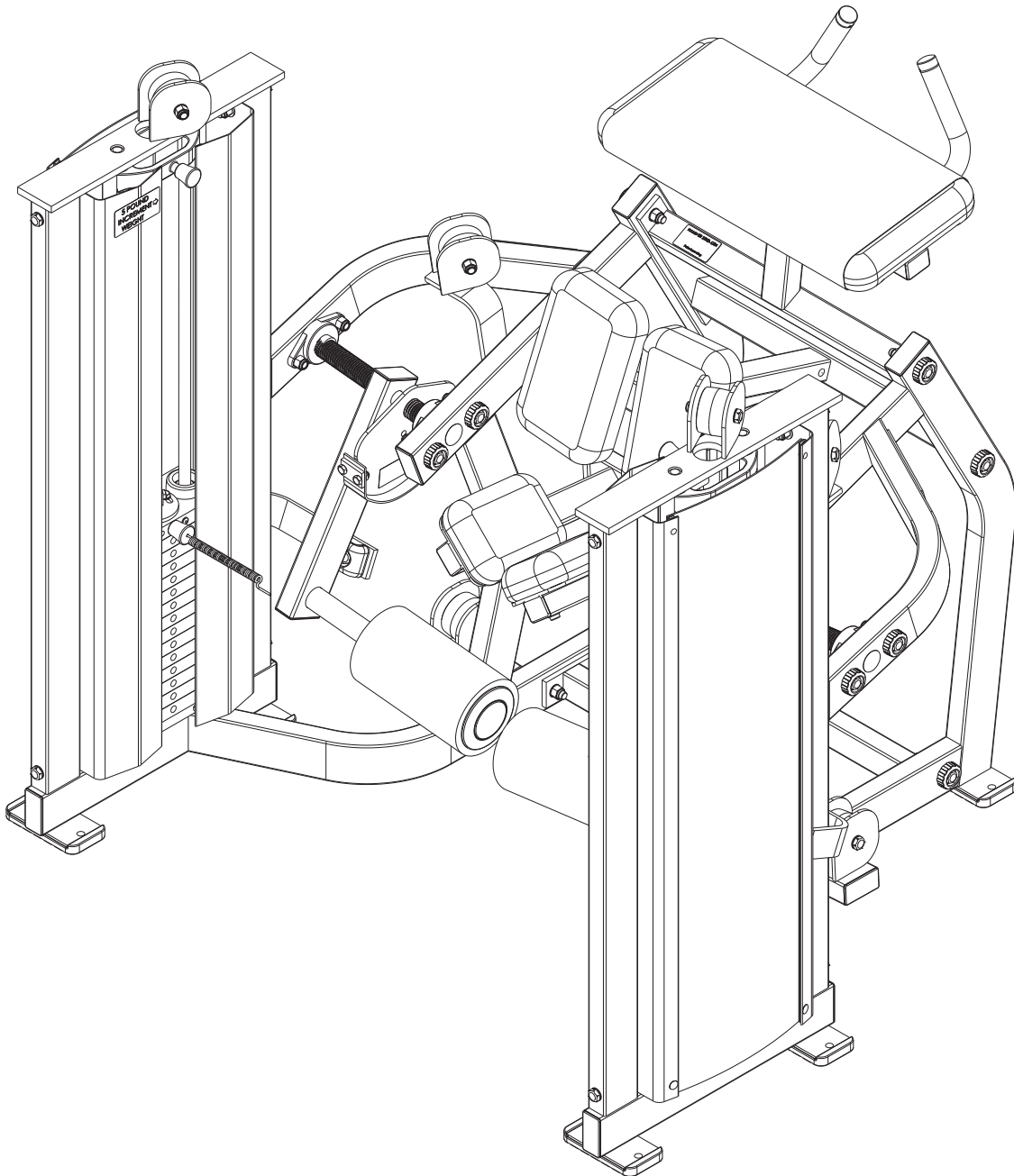




HAMMER STRENGTH  
MTSKC  
KNEELING LEG CURL



Customer Support Services  
PARTS LIST

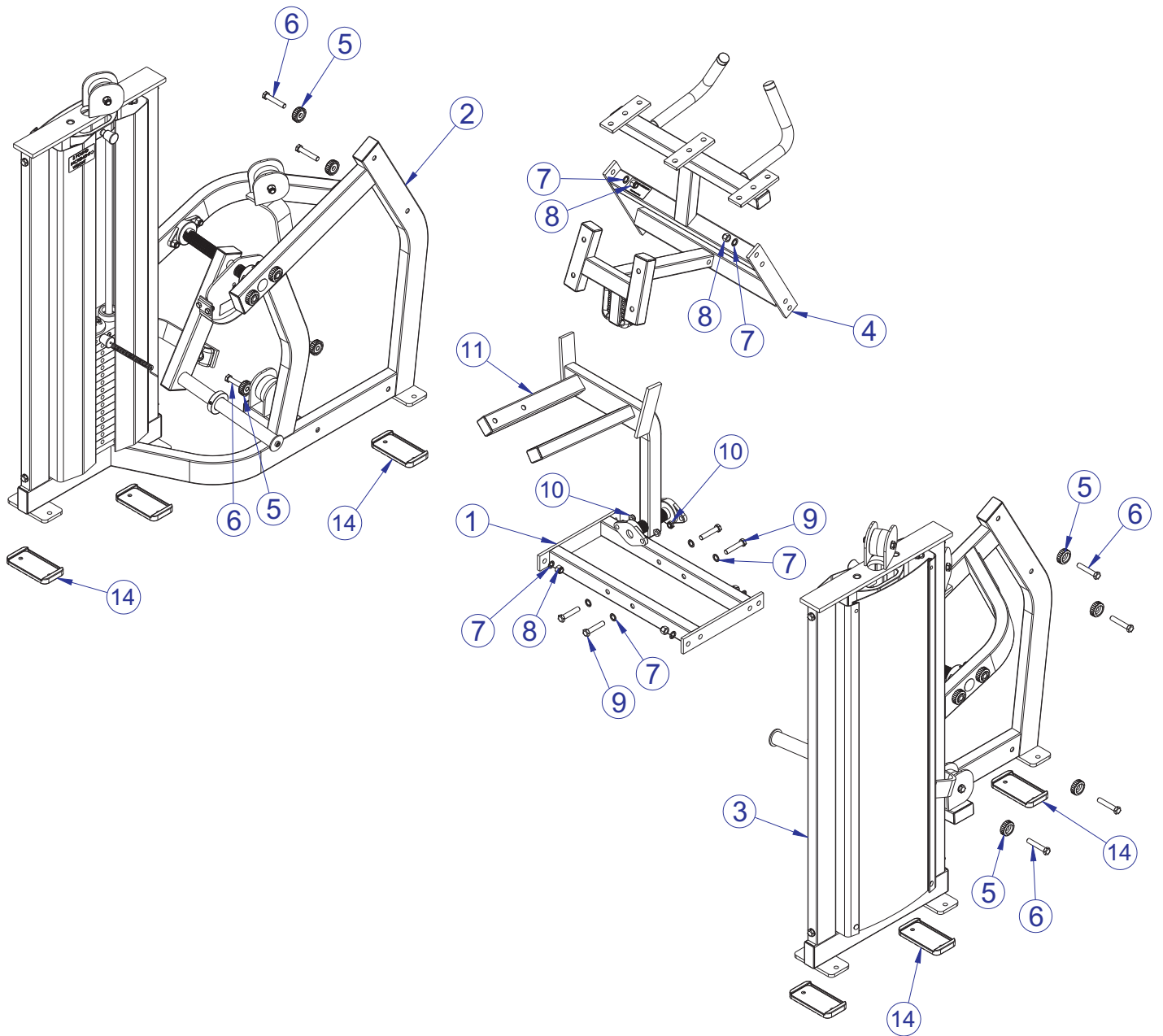
# MTSKC KNEELING LEG PRESS

## Contents

---

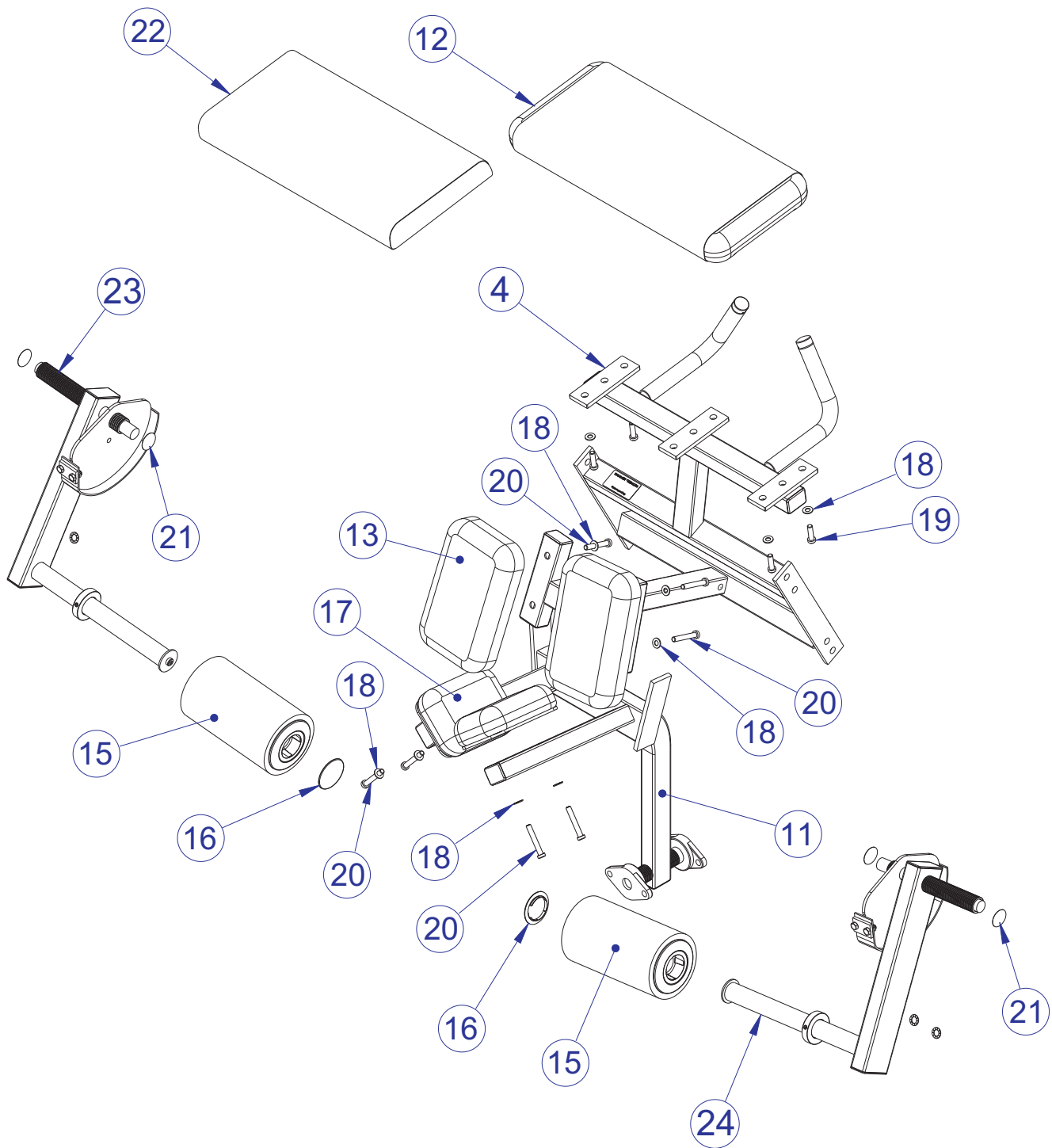
COMPONANT ASSEMBLY	pg.3
COMPONANT ASSEMBLY CONTINUED	4
COMPONANT ASSEMBLY LEGEND	5
RIGHT SIDE FRAME ASSEMBLY	6
RIGHT SIDE FRAME ASSEMBLY LEGEND	7
RIGHT WORK ARM ASSEMBLY	8
BACK FRAME ASSEMBLY	9
KNEE FRAME ASSEMBLY	10
LEFT SIDE FRAME ASSEMBLY	11
LEFT SIDE FRAME ASSEMBLY LEGEND	12
LEFT WORK ARM ASSEMBLY	13
150 LB. WEIGHT STACK ASSEMBLY	14
INCREMENT WEIGHT ASSEMBLY	15
IMAGE	16

# MTSKC KNEELING LEG PRESS COMPONENT ASSEMBLY



SEE PAGE 5 FOR LEGEND

# MTSKC KNEELING LEG PRESS COMPONENT ASSEMBLY (Continued)



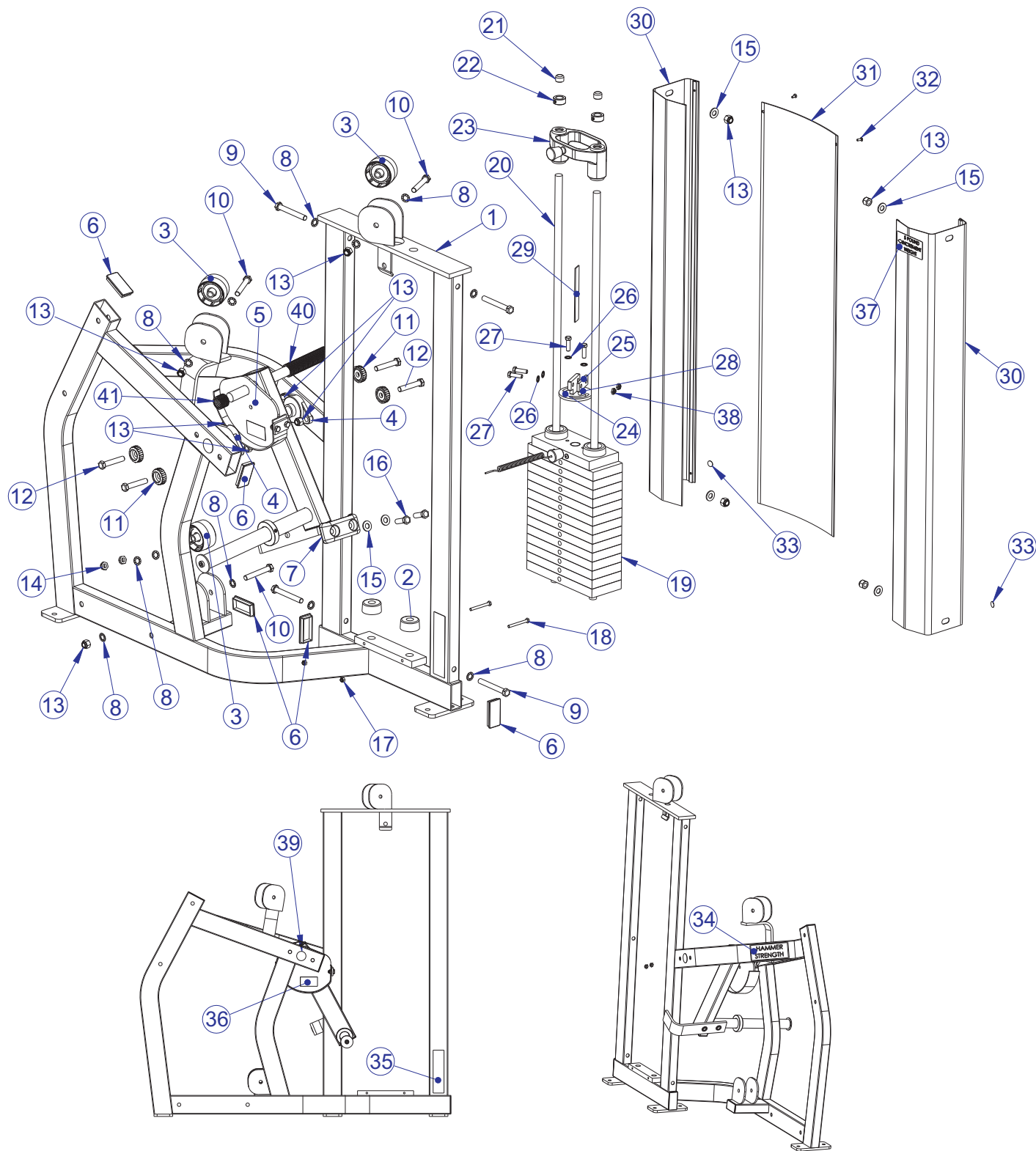
SEE PAGE 5 FOR LEGEND

# MTSKC KNEELING LEG PRESS COMPONENT ASSEMBLY LEGEND

---

ITEM NO.	QTY.	PART NO.	DESCRIPTION
1	1	7528701	WLDMT, MTKC, BOTTOM FRAME
2	1	7529801	ASSY, MTKC, LEFT SIDE
3	1	7529701	ASSY, MTKC, RIGHT SIDE
4	1	7529601	ASSY, MTKC, BACK FRAME
5	8	7434001	WASHER, MTS, HAMMER HEAD
6	8	3239311	1/2-13 X 2.75 UNS HEX FHB G5 ZN
7	12	3239505	WSH, .500 IN-D ST ZN
8	8	3102801	NUT, NYLOCK 1/2-13 ST ZN
9	4	3239310	1/2-13 X2.50 UNS HEX FHB G5 ZN
10	4	3102804	NUT, NYLOCK-JAM 1/2-13 ST ZN
11	1	7540101	ASSY, MTKC, KNEE FRAME
12	1	7766001	PAD, ELBOW 24 X 11
13	2	7399300	PAD. 7 X 11-1/4
14	6	7388201	Footpad, PS Rubber
15	2	7424701	ASSY, ROLLER PAD - SHORT
16	2	7308701	CAP, BEARING HOUSING
17	2	7563001	PAD, 8 X 6
18	12	3236601	WASHER, 3/8 SAE SS
19	4	3236204	SCREW, M10 X1.5 35MM
20	8	3236210	SCREW, M10 X1.5 65MM
21	4	7488701	LABEL, AXIS OF ROTATION
22	1	8027901	WEAR COVER, ELBOW PAD 24 X 11
23	1	7530001	ASSY, MTKC, RIGHT ARM
24	1	7529901	ASSY, MTKC, LEFT ARM

# MTSKC KNEELING LEG PRESS RIGHT SIDE FRAME ASSEMBLY - 7529701

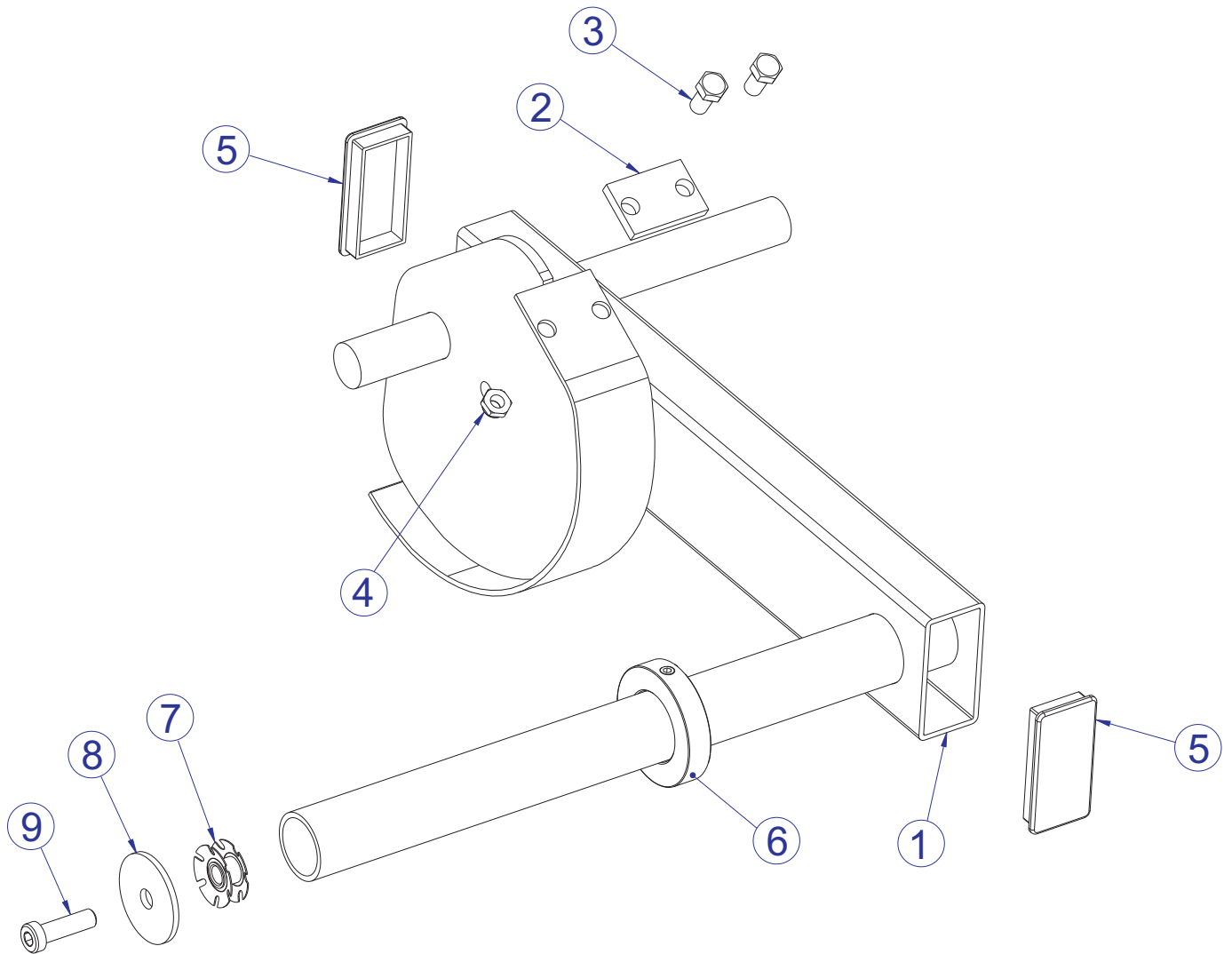


SEE PAGE 7 FOR LEGEND

# MTSKC KNEELING LEG PRESS RIGHT SIDE FRAME ASSEMBLY LEGEND

ITEM NO.	QTY.	PART NO.	DESCRIPTION
1	1	7528801	WLDMT, MTKC, RIGHT FRAME
2	2	7352101	CUSHION, WEIGHT STACK
3	3	7594601	PULLEY, MTS, 3" BELT
4	2	3239901	BEARING, 2 HOLE FLANGE, 1" ID
5	1	7530001	ASSY, MTKC, RIGHT ARM
6	5	7477401	CAP. END, 1-1/2 X 3, 11GA SGRY
7	1	7352001	BUMPER, 2-1/8 X 4-5/8
8	12	3239505	WSH, .500 IN-D ST ZN
9	4	3239316	1/2-13 X 4.00 UNS HEX FHB G5 ZN
10	3	3239313	1/2-13 X 3.25 UNS HEX FHB G5 ZN
11	4	7434001	WASHER, MTS, HAMMER HEAD
12	4	3239311	1/2-13 X 2.75 UNS HEX FHB G5 ZN
13	11	3102801	NUT, NYLOCK 1/2-13 ST ZN
14	2	3102804	NUT, NYLOCK-JAM 1/2-13 ST ZN
15	6	3102507	WASHER, TYPE A PLAIN
16	2	3239306	1/2-13 X 1.50 UNS HEX FHB G5 ZN
17	2	3102806	NUT, NYLOCK 1/4-20 ZN
18	2	3223809	1/4-20 UNS HEX FHB G5 ZN
19	1	7464701	ASSY, MTS, 150 LB STACK
20	2	7328616	GUIDE ROD, .75 OD SOLID 45.25
21	2	3242701	CAP, END, .75 X .50. RD, BLACK
22	2	3103301	SHAFT COLLAR, 3/4 I.D. ZINC
23	1	7459901	ASSY, MTS, INCREMENT WEIGHT
24	1	7436595	WLDMT, MTS, BELT ATTACH LH
25	1	7435295	PLATE, MTS, BELT CLAMP
26	4	3239503	WSH, .375 IN-D ST ZN
27	4	3223302	3/8-16 X 1.25 HEX HEAD BOLT
28	1	7435101	SHAFT, 3/8" DIA SS, BELT WRAP
29	1	7435701	BELT, SPOOLED, W15/16, T.09
30	2	7465104	SHROUD, MTS, SIDE 44.63" SGRY
31	1	7435605	PANEL, MTS, PLASTIC 44.63"
32	2	0017-00101-1587	SHIELD RIVET
33	2	7564101	LABEL, MTS, .625 DIA HOLE COVER
34	1	M051-00289-A000	HAMMER STRENGTH NAME PLATE
35	1	7422004	LABEL, 2" ASTM WARN
36	1	7422003	LABEL, MOVING PARTS
37	1	M051-00298-A000	INCREMENT WT. DECAL (LEFT)
38	2	3102807	NUT, NYLOCK 3/8-16 LOW HT
39	2	7488701	LABEL, AXIS OF ROTATION
40	1	6912805	SLEEVE, ACCRDN 1.0 ID X 5.5
41	1	6912807	SLEEVE, ACCRDN 1.0 ID X 1

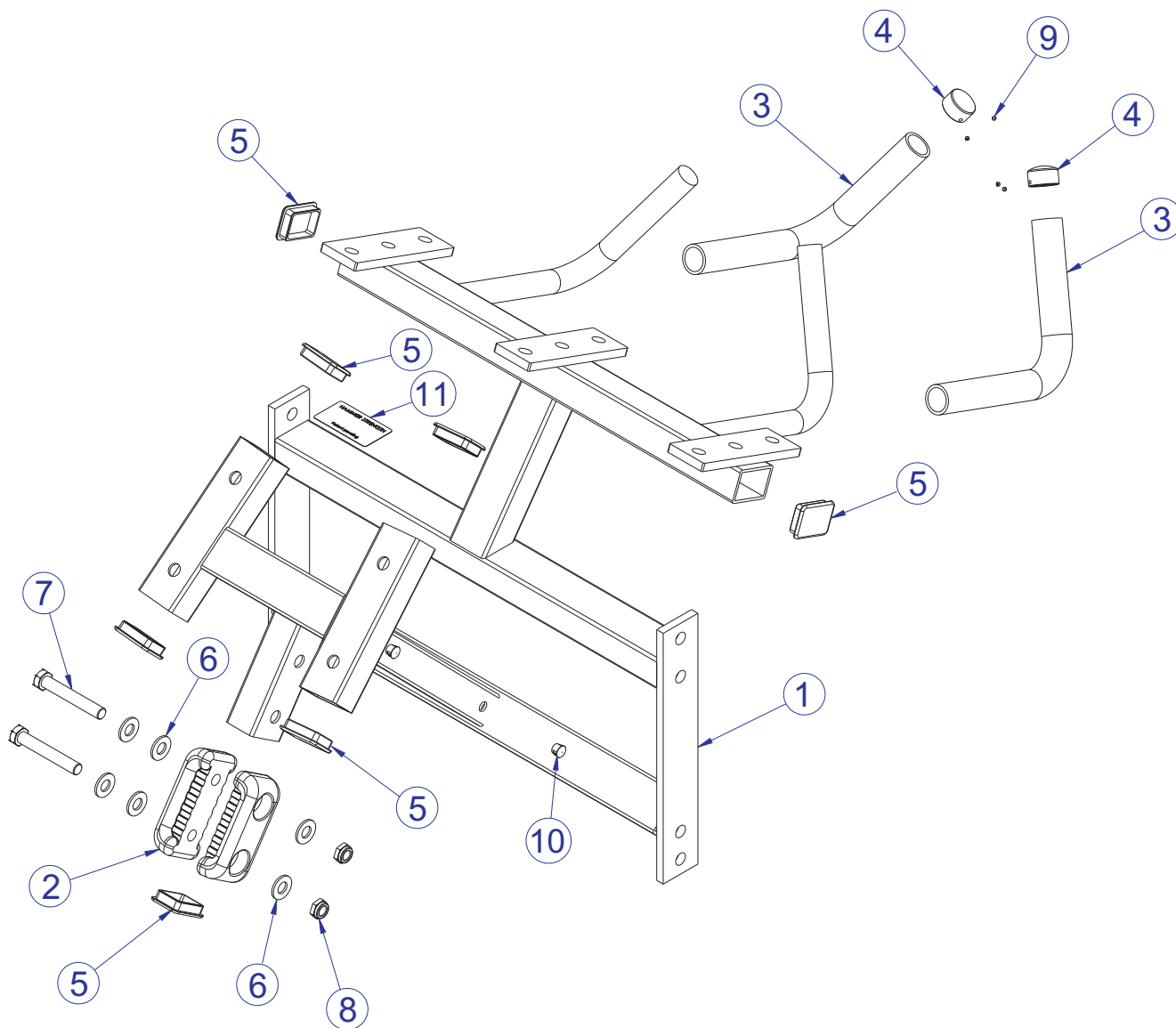
# MTSKC KNEELING LEG PRESS RIGHT WORK ARM ASSEMBLY - 7530001



ITEM NO.	QTY.	PART NO.	DESCRIPTION
1	1	7529201	WLDMT, MTKC, RIGHT ARM
2	1	7436695	PLATE, MTS, BELT CAM ATTACH
3	2	3239803	3/8-16 X 16 HEX HEAD BOLT
4	2	3102807	NUT, NYLOCK 3/8-16 LOW HT
5	2	7477401	CAP. END, 1-1/2 X 3, 11GA SGRY
6	1	7357901	SHAFT COLLAR, 1-1/2" ID ALUM
7	1	7347301	NUT, SPIDER M10 X 1.5
8	1	7322301	PLATE, 1.97 OD X .44 ID 10GA
9	1	3236204	SCREW, M10 X1.5 35MM

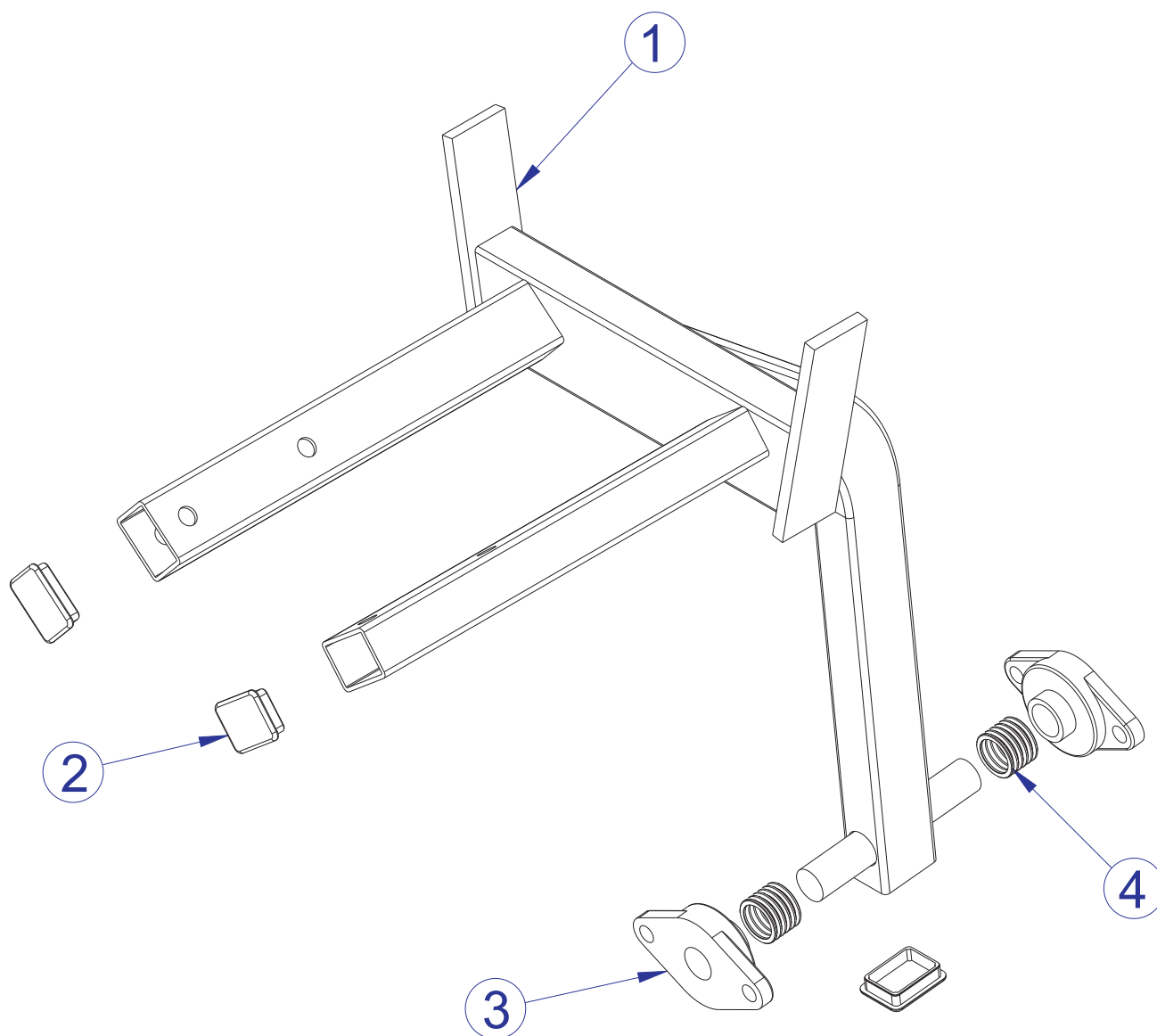


# MTSKC KNEELING LEG PRESS BACK FRAME ASSEMBLY - 7529601



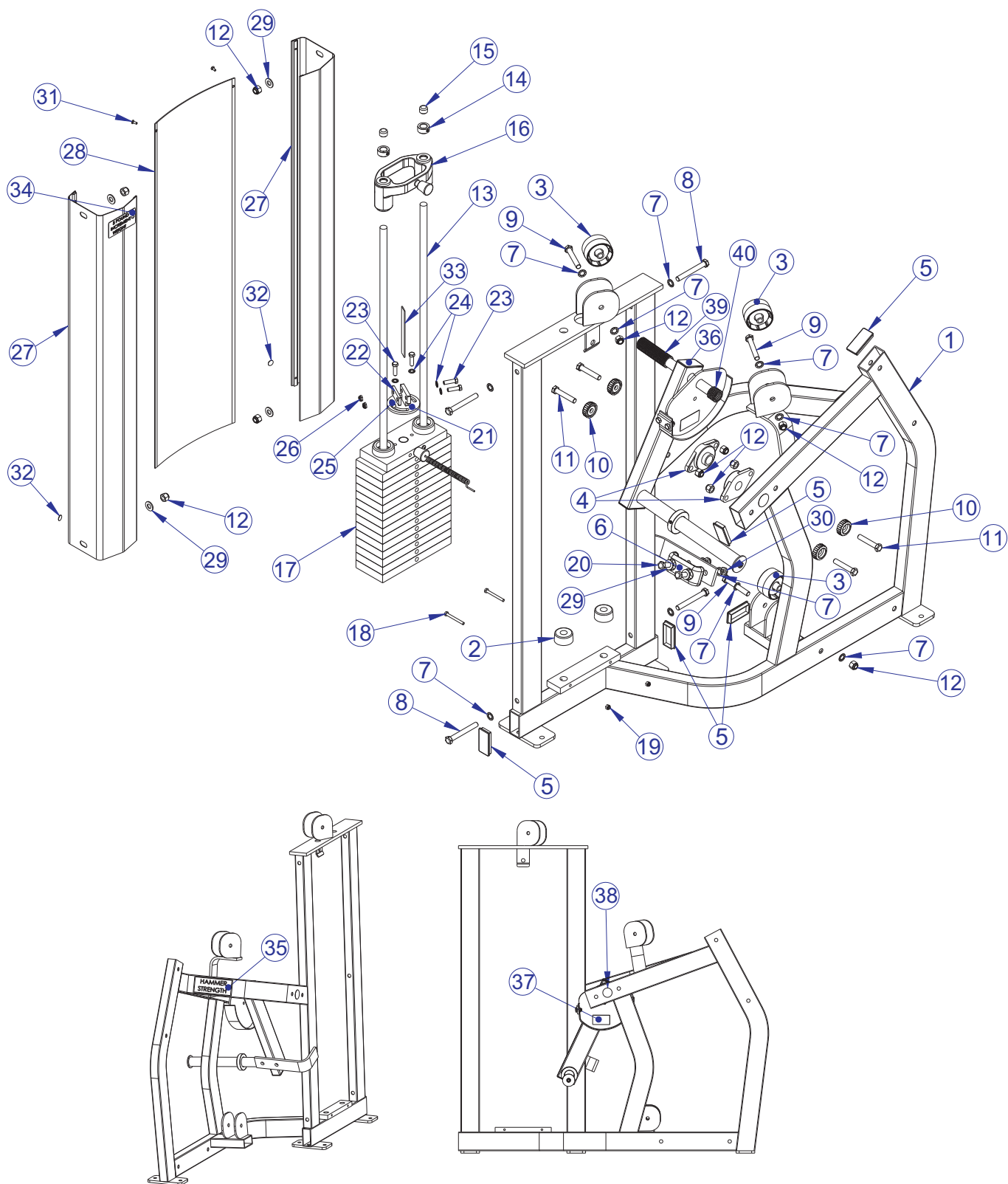
ITEM NO.	QTY.	PART NO.	DESCRIPTION
1	1	7529001	WLDMT, MTKC, BACK FRAME
2	2	7352001	BUMPER, 2-1/8 X 4-5/8
3	2	3235801	MTKC GRIP, SHADOW GRAY, 13.88"
4	2	7662901	CAP, GRIP 1.25 OD
5	7	7352201	CAP, END 1-1/2 X 2
6	6	3102507	WASHER, TYPE A PLAIN
7	2	3239313	1/2-13 X 3.25 UNS HEX FHB G5 ZN
8	2	3102804	NUT, NYLOCK-JAM 1/2-13 ST ZN
9	4	3247701	M4 X .7 HXS NO CUP ST BO
10	4	3237401	PLUG, 7/16" HOLE
11	1	M051-00299-A000	HAMMER PATENT DECAL

# MTSKC KNEELING LEG PRESS KNEE FRAME ASSEMBLY - 7540101



ITEM NO.	QTY.	PART NO.	DESCRIPTION
1	1	7529101	WLDMT, MTKC, KNEE FRAME
2	3	7352201	CAP, END 1-1/2 X 2
3	2	3239901	BEARING, 2 HOLE FLANGE, 1" ID
4	2	6912807	SLEEVE, ACCRDN 1.0 ID X 1

# MTSKC KNEELING LEG PRESS LEFT FRAME ASSEMBLY - 7529801

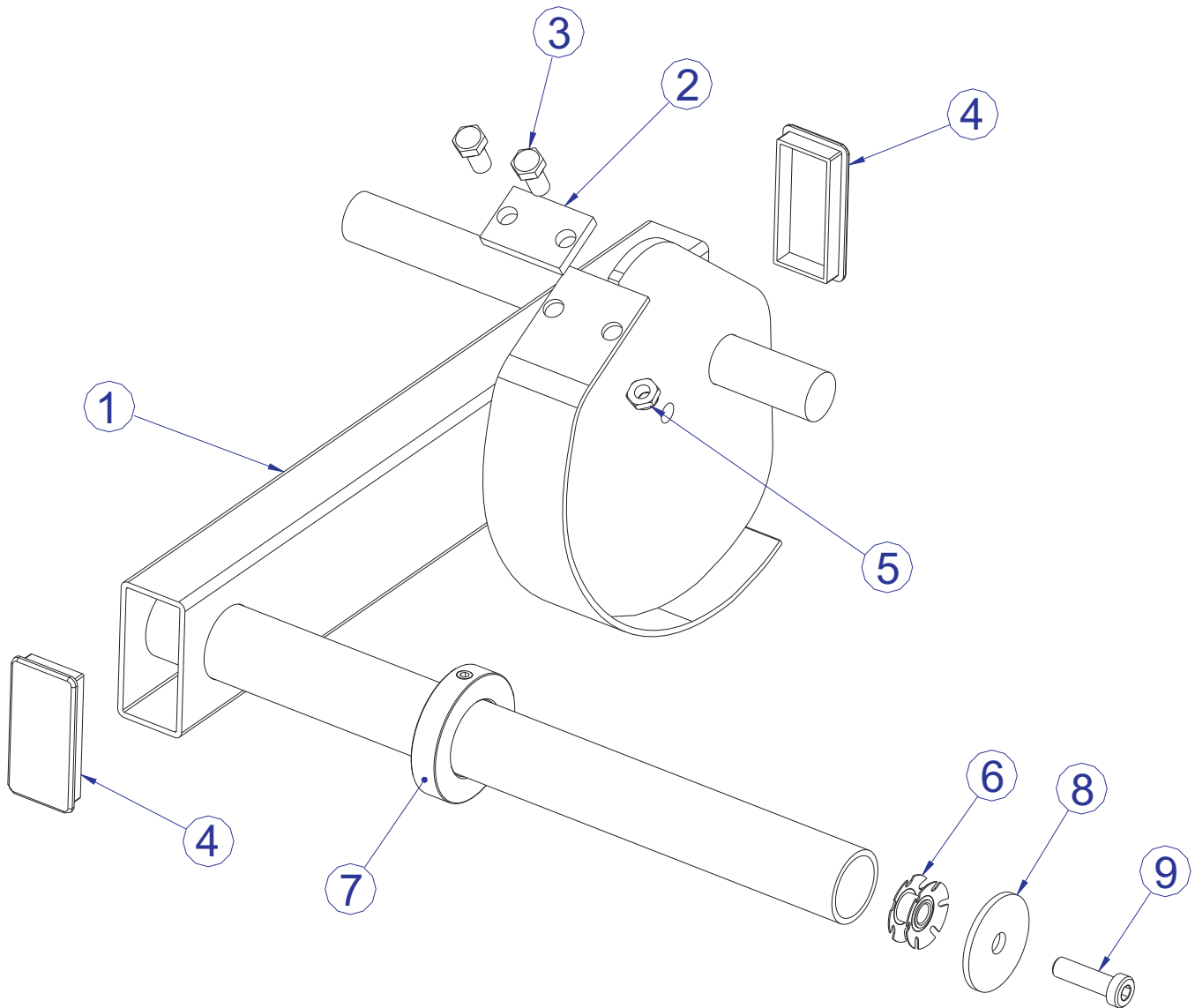


SEE PAGE 12 FOR LEGEND

# MTSKC KNEELING LEG PRESS LEFT SIDE FRAME LEGEND

ITEM NO.	QTY.	PART NO.	DESCRIPTION
1	1	7528901	WLDMT, MTKC, LEFT FRAME
2	2	7352101	CUSHION, WEIGHT STACK
3	3	7594601	PULLEY, MTS, 3" BELT
4	2	3239901	BEARING, 2 HOLE FLANGE, 1" ID
5	5	7477401	CAP. END, 1-1/2 X 3, 11GA SGRY
6	1	7352001	BUMPER, 2-1/8 X 4-5/8
7	12	3239505	WSH, .500 IN-D ST ZN
8	4	3239316	1/2-13 X 4.00 UNS HEX FHB G5 ZN
9	3	3239313	1/2-13 X 3.25 UNS HEX FHB G5 ZN
10	4	7434001	WASHER, MTS, HAMMER HEAD
11	4	3239311	1/2-13 X 2.75 UNS HEX FHB G5 ZN
12	11	3102801	NUT, NYLOCK 1/2-13 ST ZN
13	2	7328616	GUIDE ROD, .75 OD SOLID 45.25
14	2	3103301	SHAFT COLLAR, 3/4 I.D. ZINC
15	2	3242701	CAP, END, .75 X .50. RD, BLACK
16	1	7459901	ASSY, MTS, INCREMENT WEIGHT
17	1	7464701	ASSY, MTS, 150 LB STACK
18	2	3223809	1/4-20 UNS HEX FHB G5 ZN
19	2	3102806	NUT, NYLOCK 1/4-20 ZN
20	2	3239306	1/2-13 X 1.50 UNS HEX FHB G5 ZN
21	1	7434895	WLDMT, MTS, BELT ATTACH
22	1	7435295	PLATE, MTS, BELT CLAMP
23	4	3223302	3/8-16 X 1.25 HEX HEAD BOLT
24	4	3239503	WSH, .375 IN-D ST ZN
25	1	7435101	SHAFT, 3/8" DIA SS, BELT WRAP
26	2	3102807	NUT, NYLOCK 3/8-16 LOW HT
27	2	7465104	SHROUD, MTS, SIDE 44.63" SGRY
28	1	7435605	PANEL, MTS, PLASTIC 44.63"
29	6	3102507	WASHER, TYPE A PLAIN
30	2	3102804	NUT, NYLOCK-JAM 1/2-13 ST ZN
31	2	0017-00101-1587	SHIELD RIVET
32	2	7564101	LABEL, MTS, .625 DIA HOLE COVER
33	1	7435701	BELT, SPOOLED, W15/16, T.09
34	1	M051-00297-A000	INCREMENT WT. DECAL (RIGHT)
35	1	M051-00289-A000	HAMMER STRENGTH NAME PLATE
36	1	7529901	ASSY, MTKC, LEFT ARM
37	1	7422003	LABEL, MOVING PARTS
38	2	7488701	LABEL, AXIS OF ROTATION
39	1	6912805	SLEEVE, ACCRDN 1.0 ID X 5.5
40	1	6912807	SLEEVE, ACCRDN 1.0 ID X 1

# MTSKC KNEELING LEG PRESS LEFT WORK ARM ASSEMBLY - 7529901

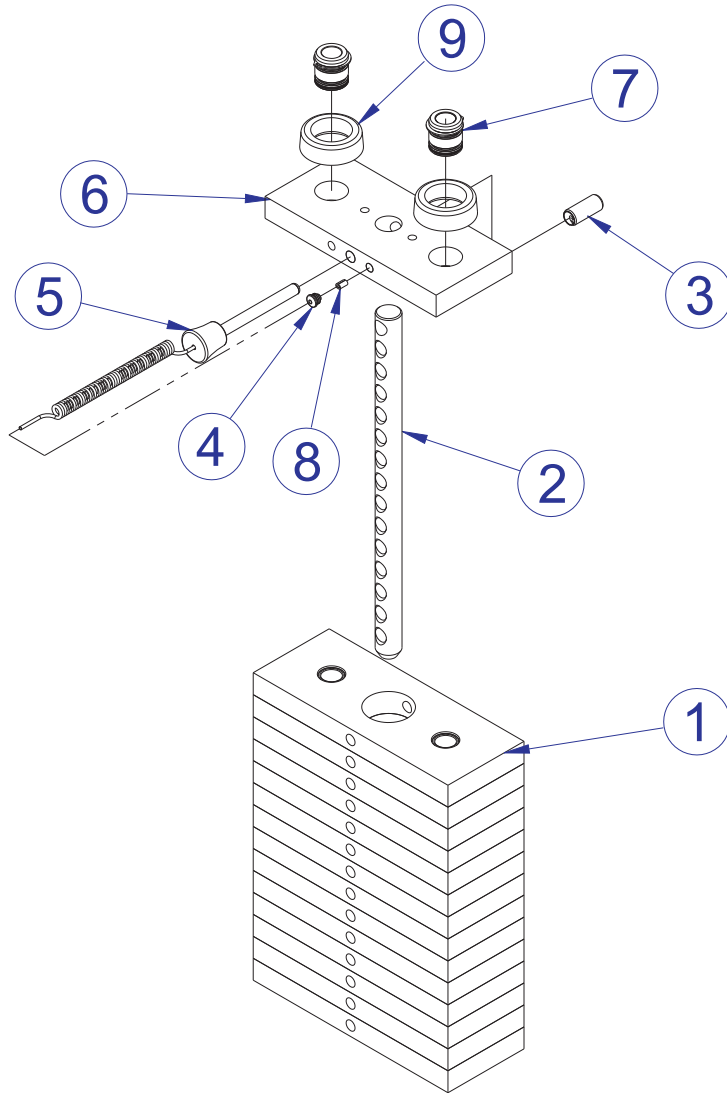


ITEM NO.	QTY.	PART NO.	DESCRIPTION
1	1	7529301	WLDMT, MTKC, LEFT ARM
2	1	7436695	PLATE, MTS, BELT CAM ATTACH
3	2	3239803	3/8-16 X 16 HEX HEAD BOLT
4	2	7477401	CAP. END, 1-1/2 X 3, 11GA SGRY
5	2	3102807	NUT, NYLOCK 3/8-16 LOW HT
6	1	7347301	NUT, SPIDER M10 X 1.5
7	1	7357901	SHAFT COLLAR, 1-1/2" ID ALUM
8	1	7322301	PLATE, 1.97 OD X .44 ID 10GA
9	1	3236204	SCREW, M10 X1.5 35MM

# MTSKC KNEELING LEG PRESS 150 LBS. WEIGHT STACK ASSEMBLY - 7464701

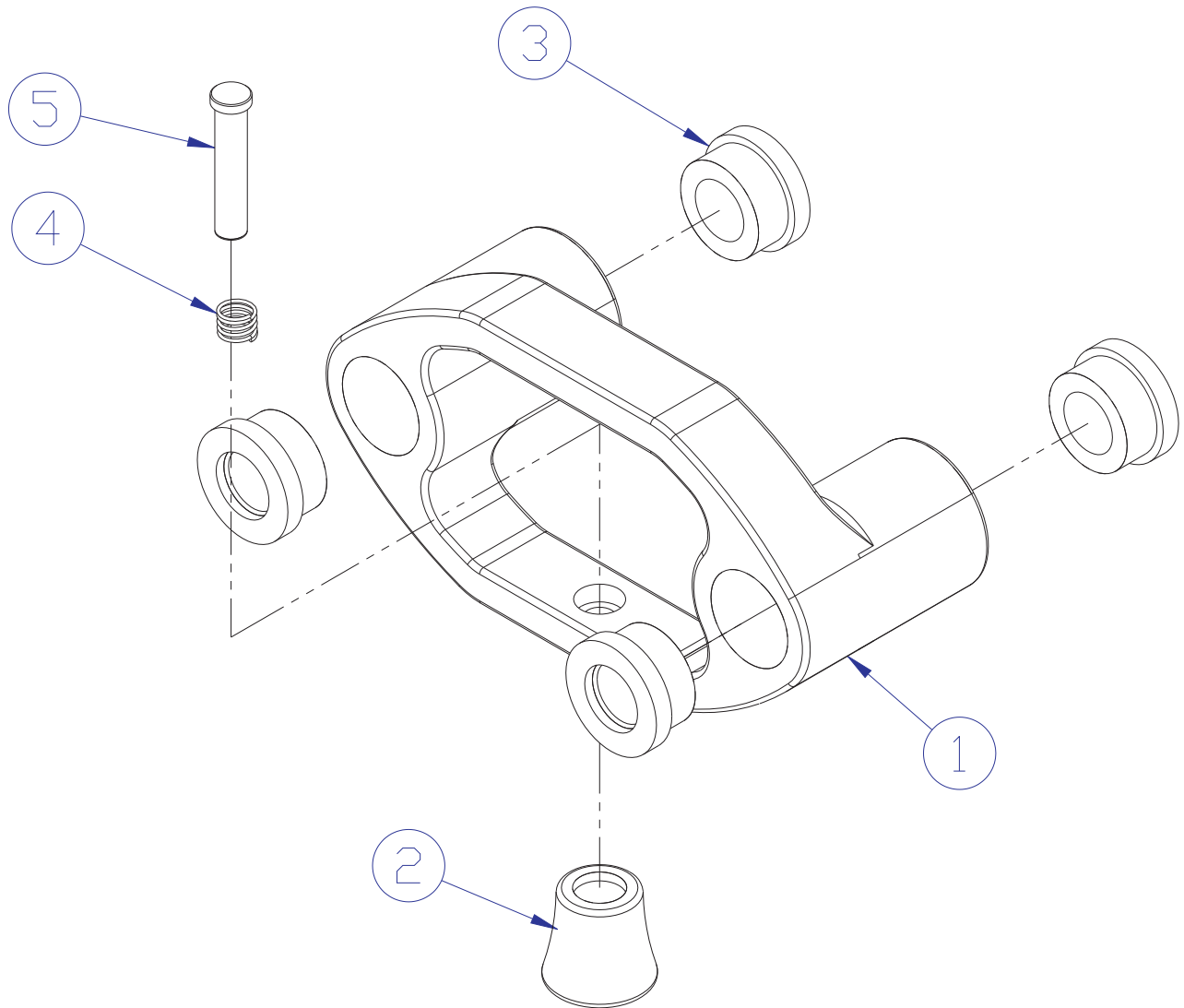
## Weight Stack Labels

PART NO.	DESCRIPTION
8072201	LABEL, MTS, WGHT STK, 150 LBS
8072101	LABEL, MTS, WGHT STK, 80 KG



ITEM NO.	QTY.	PART NO.	DESCRIPTION
1	14	7353701	ASSY, 10 LB PLATE
2	1	7464801	BAYONET, MTS, 15 HOLE
3	1	3236001	BUSHING, SPRING PIN
4	1	7356501	PLUG, LANYARD ATTACHMENT
5	1	7353001	ASSY, SELECTOR PIN
6	1	7434401	HEAD PLATE, MTS
7	2	7338001	BUSHING, HEADPLATE
8	1	7523601	CRIMP, CABLE
9	2	7767601	BUMPER, PS INCREMENT WT

# MTSKC KNEELING LEG PRESS INCREMENT WEIGHT ASSEMBLY - 7459901



ITEM NO.	QTY.	PART NO.	DESCRIPTION
1	1	7459801	BLOCK, MTS, INCREMENT WEIGHT
2	1	7351401	KNOB, TULIP STYLE
3	4	7560001	BUSHING, MTS, INC WEIGHT
4	1	7447001	SPRING, COMPRESSION
5	1	7446901	PIN, RETAINING

MTSKC KNEELING LEG PRESS  
IMAGE

---

