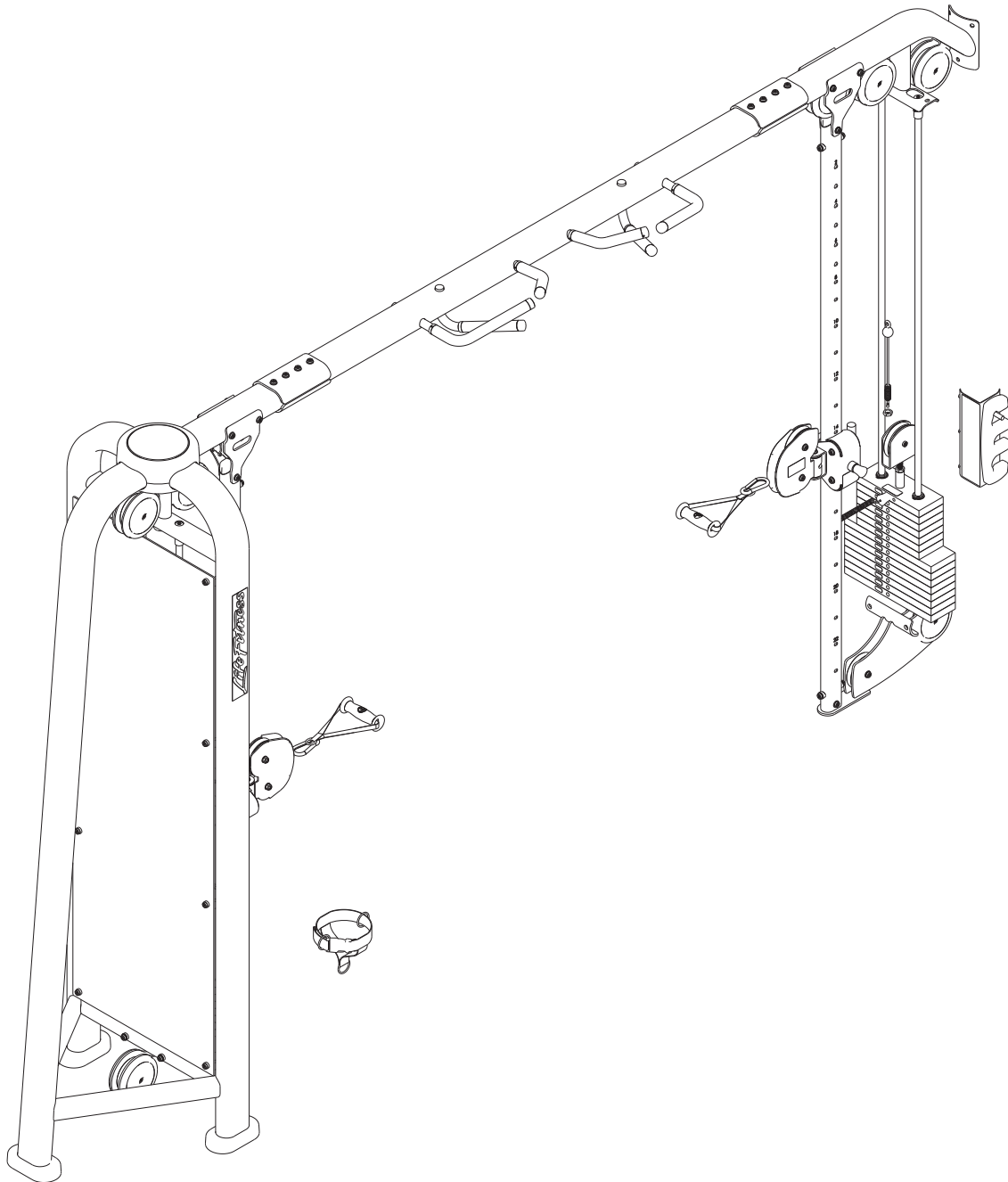




CABLE MOTION SERIES
MJACO
MULTI JUNGLE ADJUSTABLE CROSSOVER



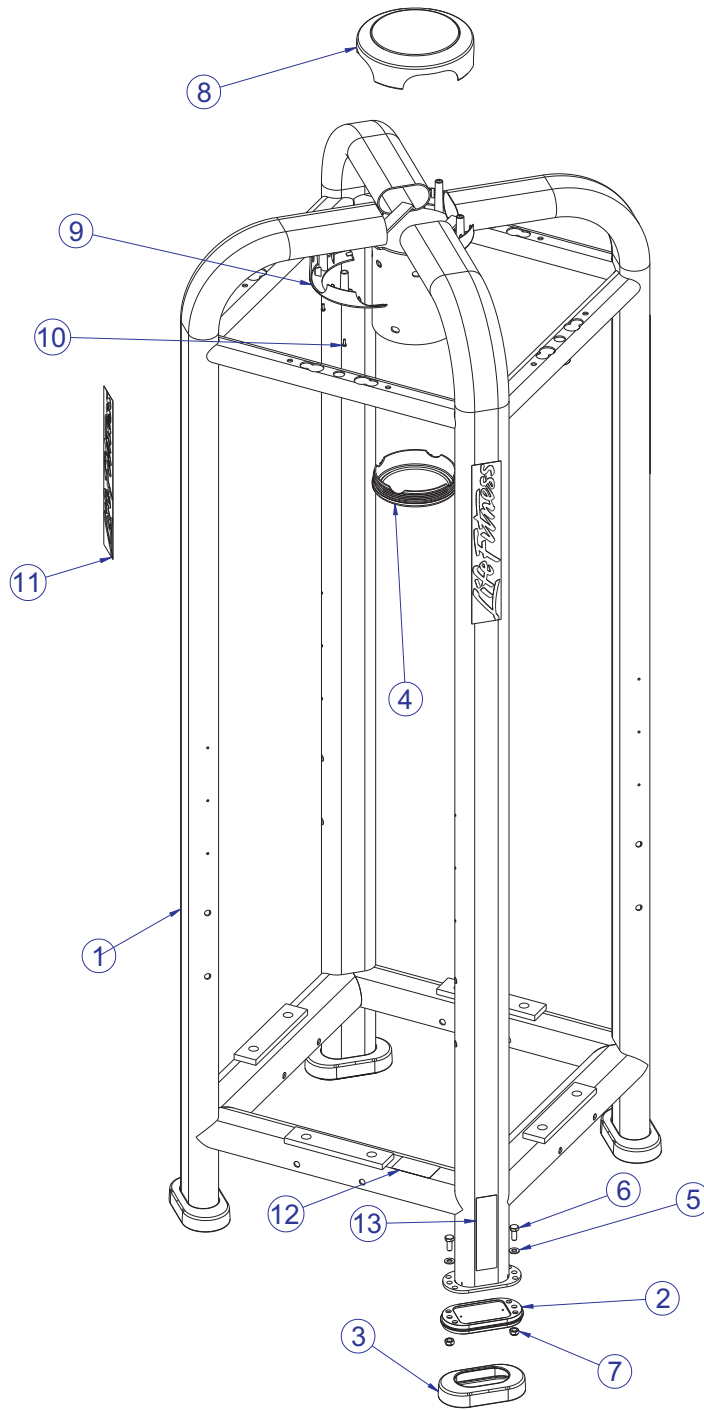
Customer Support Services
PARTS LIST

MJACO MULTI JUNGLE ADJUSTABLE CROSSOVER

Contents

	Page
MJCORE ASSEMBLY	3
COMPONENTS ASSEMBLY	4
COMPONENTS ASSEMBLY LEGEND	5
MJ X BEAM ASSEMBLY	6
CM/MJACO TOWER ASSEMBLY	7
CM/MJACO TOWER ASSEMBLY LEGEND	8
MJACO/AXO BOOM ASSEMBLY	9
MJAP BASE SUPPORT ASSEMBLY	10
CM/MJ ADJ PULLEY CARRIAGE ASSEMBLY	11
CM/MJ ADJ PULLEY COLUMN ASSEMBLY	12
190lb. WEIGHT STACK ASSEMBLY	13
MJACO CABLE ROUTING GUIDE	14

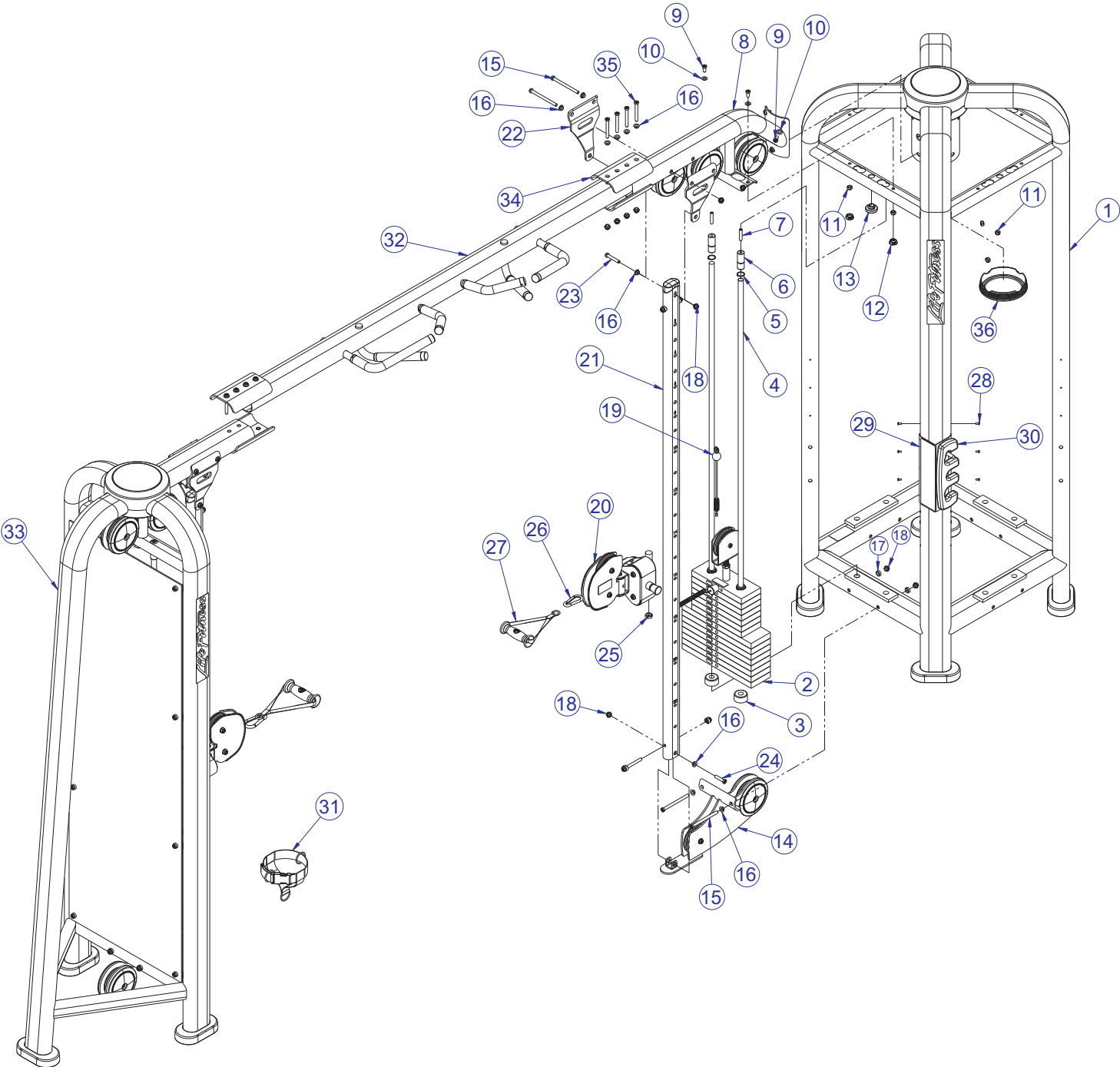
MJACO MULTI JUNGLE ADJUSTABLE CROSSOVER MJCORE ASSEMBLY



ITEM NO.	QTY.	PART NO.	DESCRIPTION
1	1	7628601	WLDMT, MJCORE
2	4	7334001	FOOT, 2.50 X 4.49 FLOV
3	4	7340201	COVER, FOOT - STRAIGHT
4	1	7640401	COVER, BOTTOM CAP
5	28	3236601	WASHER, 3/8 SAE SS
6	8	3251200	SCREW, M10 X1.5 X 25MM UNS HEX CS ST ZN
7	28	3236801	NUT, M10 HEX NYLOCK SS

ITEM NO.	QTY.	PART NO.	DESCRIPTION
8	1	7629201	COVER, CENTER TOP
9	2	7629801	COVER, CENTER BOTTOM
10	4	3236501	M4 X 0.7 PHL PAN MS ST ZN
11	4	7348001	LABEL, LIFE FITNESS LOGO
12	1	7571301	LABEL, SERIAL NUMBER
13	1	7422000	LABEL, 2" ASTM WARN

MJACO MULTI JUNGLE ADJUSTABLE CROSSOVER COMPONENT ASSEMBLY

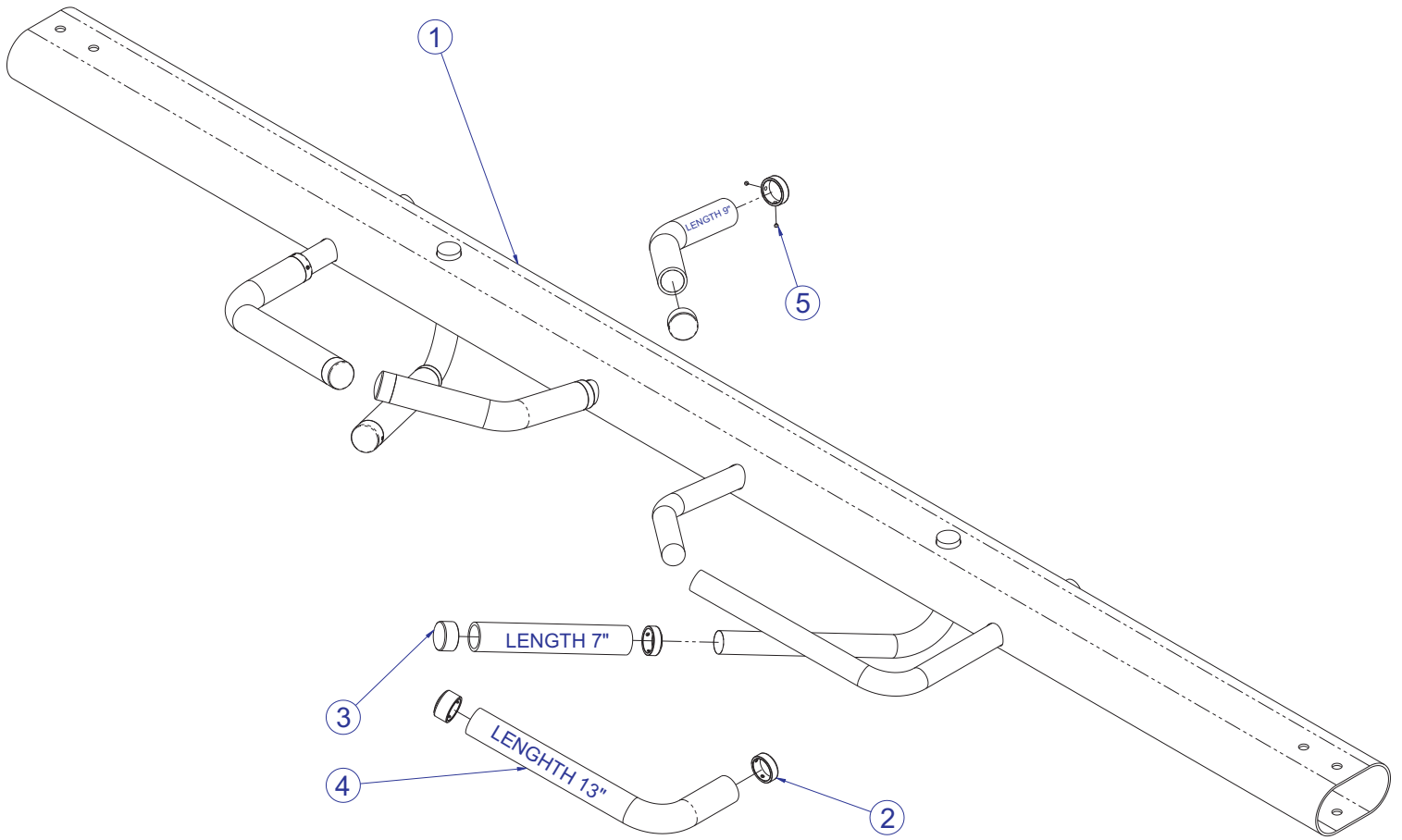


SEE PAGE 5 FOR LEGEND

MJACO MULTI JUNGLE ADJUSTABLE CROSSOVER COMPONENT ASSEMBLY LEGEND

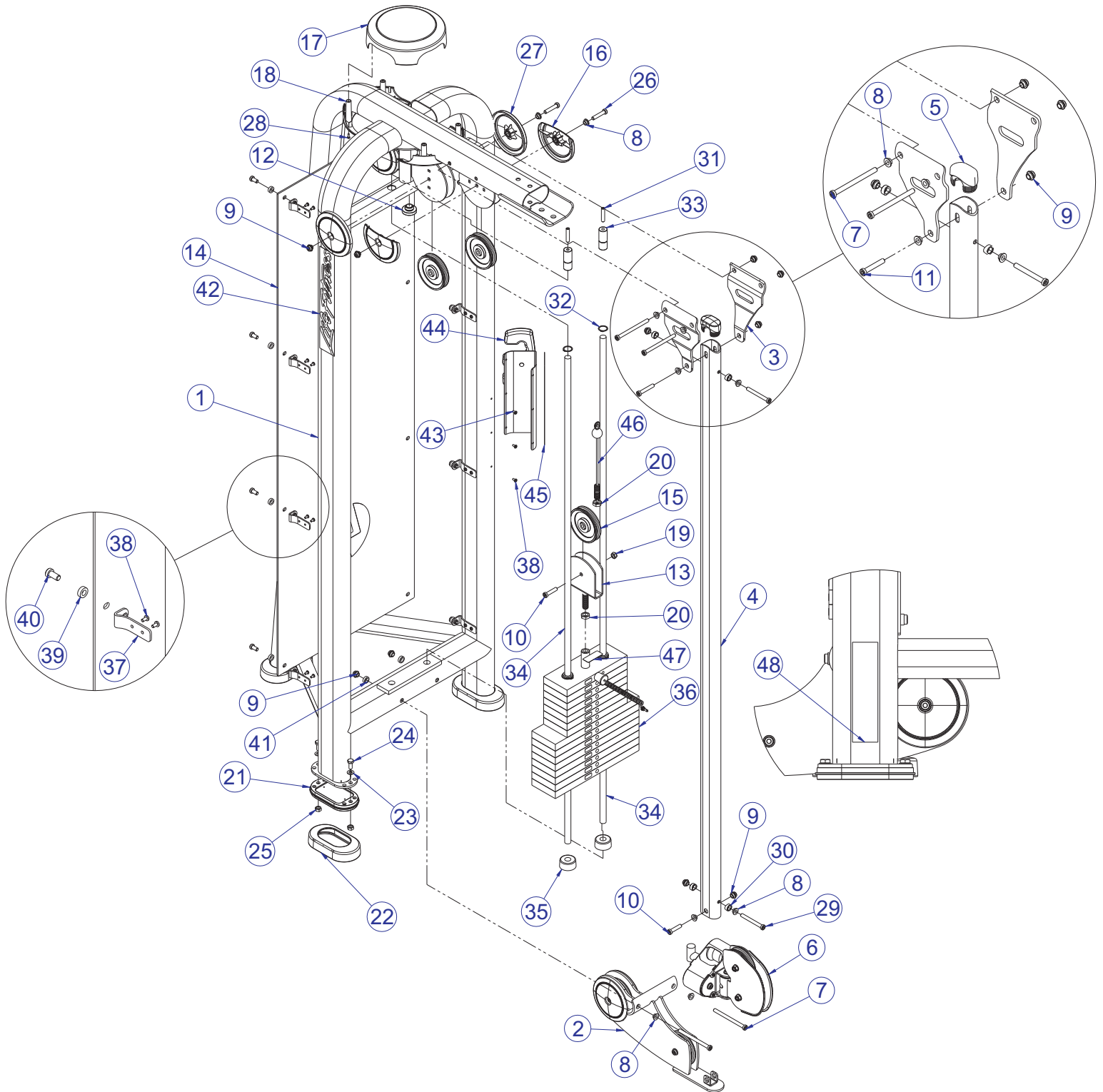
ITEM NO.	QTY.	PART NO.	DESCRIPTION
1	1	MJCORE-ASSY	ASSY, COMPONENTS MJCORE
2	1	7647501	ASSY, 190LB WEIGHT STACK
3	2	7352101	CUSHION, WEIGHT STACK
4	2	7328618	GRUIDE ROD, .75 OD SOLID 71.63
5	2	3232421	RING, BRE .940, 5100-100 ST PP B
6	2	7634401	RETAINER, CM/MJ, GUIDEROD
7	2	3240502	M10 X 1.5 X 50 HXS NO CUP ST BO
8	1	7641801	ASSY, MJACO/AXO BOOM
9	5	3236202	SCREW, M10 X 1.5 25MM
10	5	3236601	WASHER, 3/8 SAE SS
11	5	3236801	NUT, M10 HEX NYLOCK SS
12	2	3237403	PLUG, 1" HOLE
13	1	7642301	BUMPER, CM/MJ/ PLUG
14	1	7645101	ASSY, MJAP, BAST SPRT
15	4	3236220	SCREW, M10 X 1.5 130MM
16	14	7630101	RETAINER, CM/MJ, PULLEY
17	2	7634701	SPACER, CM/MJ, .565 X .815
18	14	7335401	NUT, M10 X 1.5 SOCKET HEAD
19	1	7645701	CABLE, MJAP/AXO
20	1	7645201	ASSY, CM/MJ, ADJ PLY CARRIAGE
21	1	7708401	ASSY, CM/MJ, ADJ PLY COMUMN
22	2	7780301	BRKT, MJAP, ADJ TUBE TOP
23	1	3236209	SCREW, M10 X 1.5 60MM
24	1	3236206	SCREW, M10 X 1.5 45MM
25	1	3236902	NUT, M16 X 2 HEX JAM SS
26	2	3250201	SNAP LINK, 3/8" DIA
27	2	8219601	HANDLE, CM/MJ, SHORT STRAP
28	6	3239101	SCREW, M5X10 PHL PAN TT ST
29	1	7647001	PLACARD BRACKET
30	2	7711501	WEIGHT, 5 LB. ADD ON
31	2	7734701	STRAP, 4-WAY ANKLE
32	1	7640601	ASSY, MJ X-BEAM
33	1	7641501	ASSY, CM/MJACO TOWER
34	2	7633201	BRKT, MJ LRG OVAL
35	8	3236213	SCREW, M10 X 1.5 80MM
36	1	7640401	COVER, BOTTOM CAP

MJACO MULTI JUNGLE ADJUSTABLE CROSSOVER MJ X BEAM ASSEMBLY- 7640601



ITEM NO.	QTY.	PART NO.	DESCRIPTION
1	1	7632701	WLDMT, MJ X-BEAM
2	6	7662801	RING, GRIP 1.25 OD
3	6	7662901	CAP, GRIP 1.25 OD
4	6	3235801	GRIP, SHADOW GREY OPEN END
5	24	3247701	M4 X .7 HXS NO CUP ST BO

MJACO MULTI JUNGLE ADJUSTABLE CROSSOVER MJACO TOWER ASSEMBLY-7641501

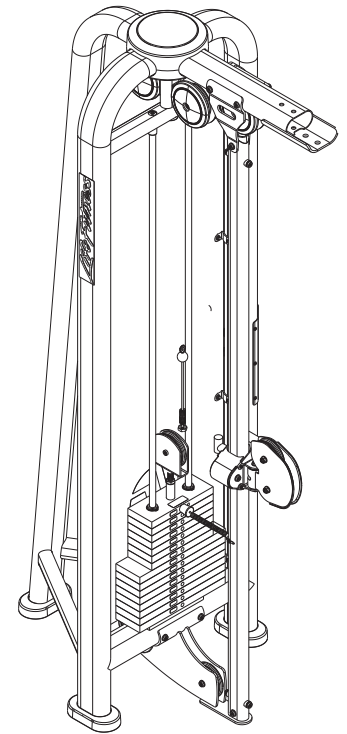


SEE PAGE 8 FOR LEGEND

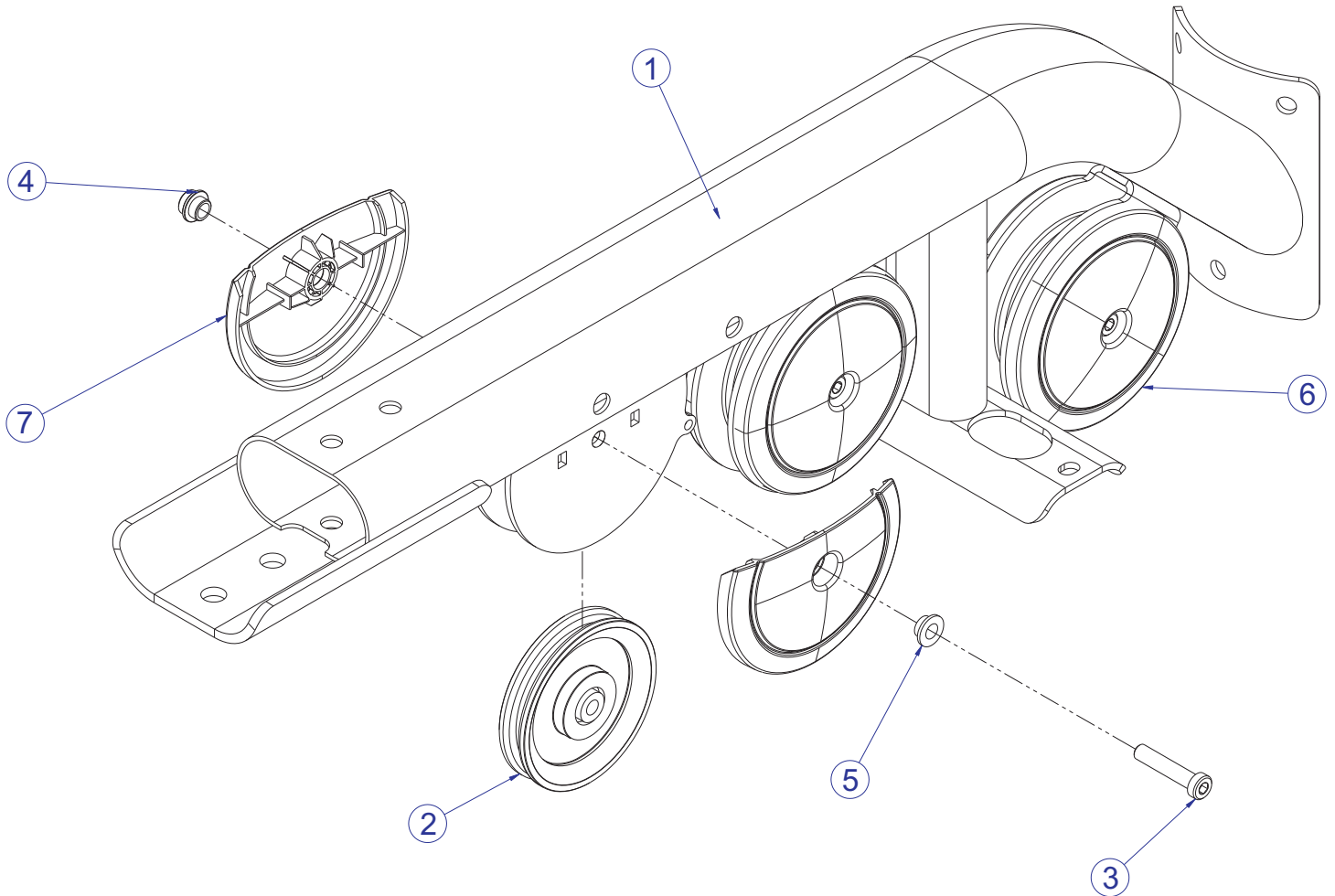
MJACO MULTI JUNGLE ADJUSTABLE CROSSOVER

MJACO TOWER ASSEMBLY LEGEND

ITEM NO.	QTY.	PART NO.	DESCRIPTION
1	1	7639201	WLDMNT, MJACO TOWER
2	1	7645101	ASSY, MJAP, BASE SPRT
3	2	7780301	BRKT, MJAP, ADJ TUBE TOP
4	1	8264101	TUBE, CM/MJ ADJ COLUMN
5	1	7333801	CAP, SMALL FLOV- END
6	1	7645201	ASSY, CM/MJ, ADJ PULLEY CARRIAGE
7	4	3236220	SCREW, M10 X1.5 130MM
8	11	7630101	RETAINER, CM/MJ, PULLEY
9	11	7335401	NUT, M10 X 1.5 SOCKET HEAD
10	2	3236206	SCREW, M10 X1.5 45MM
11	1	3236209	SCREW, M10 X1.5 60MM
12	1	7642301	BUMPER, CM/MJ, PLUG
13	1	7642295	WLDMT, CM/MJ STK PULLEY SG
14	1	7642101	SHIELD, CM/MJ REAR
15	4	3237801	PULLEY, 4.5" OD
16	2	7630001	COVER, PULLEY BOLTED PARTIAL
17	1	7629201	COVER, CENTER TOP
18	2	7629801	COVER, CENTER BOTTOM
19	1	3236801	NUT, M10 HEX NYLOCK SS
20	2	3236902	NUT, M16 X 2 HEX JAM SS
21	3	7334001	FOOT, 2.50 X 4.49 FLOV
22	3	7340201	COVER, FOOT - STRAIGHT
23	6	3236601	WASHER, 3/8 SAE SS
24	6	3251202	SCREW, M10 X1.5 X 25MM UNS HEX CS ST ZN
25	6	3254703	NUT, M10 X 1.5 HEX ZINC
26	3	3236207	SCREW, M10 X1.5 50MM
27	4	7629901	COVER, PULLEY- BOLTED FULL
28	4	3236501	M4 X 0.7 PHL PAN MS ST ZN
29	2	3236215	SCREW, M10 X1.5 90MM
30	4	7645501	SPACER, CM/MJ, SM FLOV CONCAVE
31	2	3240502	M10 X 1.5 X 50 HXS NO CUP ST BO
32	2	3232421	RING, BRE .940, 5100-100 ST PP B
33	2	7634401	RETAINER, CM/MJ, GUIDEROD
34	2	7328618	GUIDE ROD, .75 OD SOLID 71.50
35	2	7352101	CUSHION, WEIGHT STACK
36	1	7647501	ASSY, 190LB STACK
37	8	7642095	BRKT, CM/MJ, REAR SHROUD SG
38	22	3239101	SCREW, M5X10 PHL PAN TT ST
39	8	7385201	SPACER, .406 X .750 X .250
40	8	3236201	SCREW, M10 X1.5 20MM
41	2	7634701	SPACER, CM/MJ, .565 X .815
42	2	7348001	LABEL, LIFE FITNESS LOGO
43	1	7647001	WLDMT, CM/MJ, PLACARD BRKT
44	1	7711501	WEIGHT, 5 LB. ADD-ON
45	1	7734601	LABEL, PLACARD CM/MJ, ADJ CROSSOVER
46	1	7645703	CABLE, CM/MJACO
47	1	7744501	LABEL, WEIGHT AT HANDLE
48	1	7422004	LABEL, 2" ASTM WARN

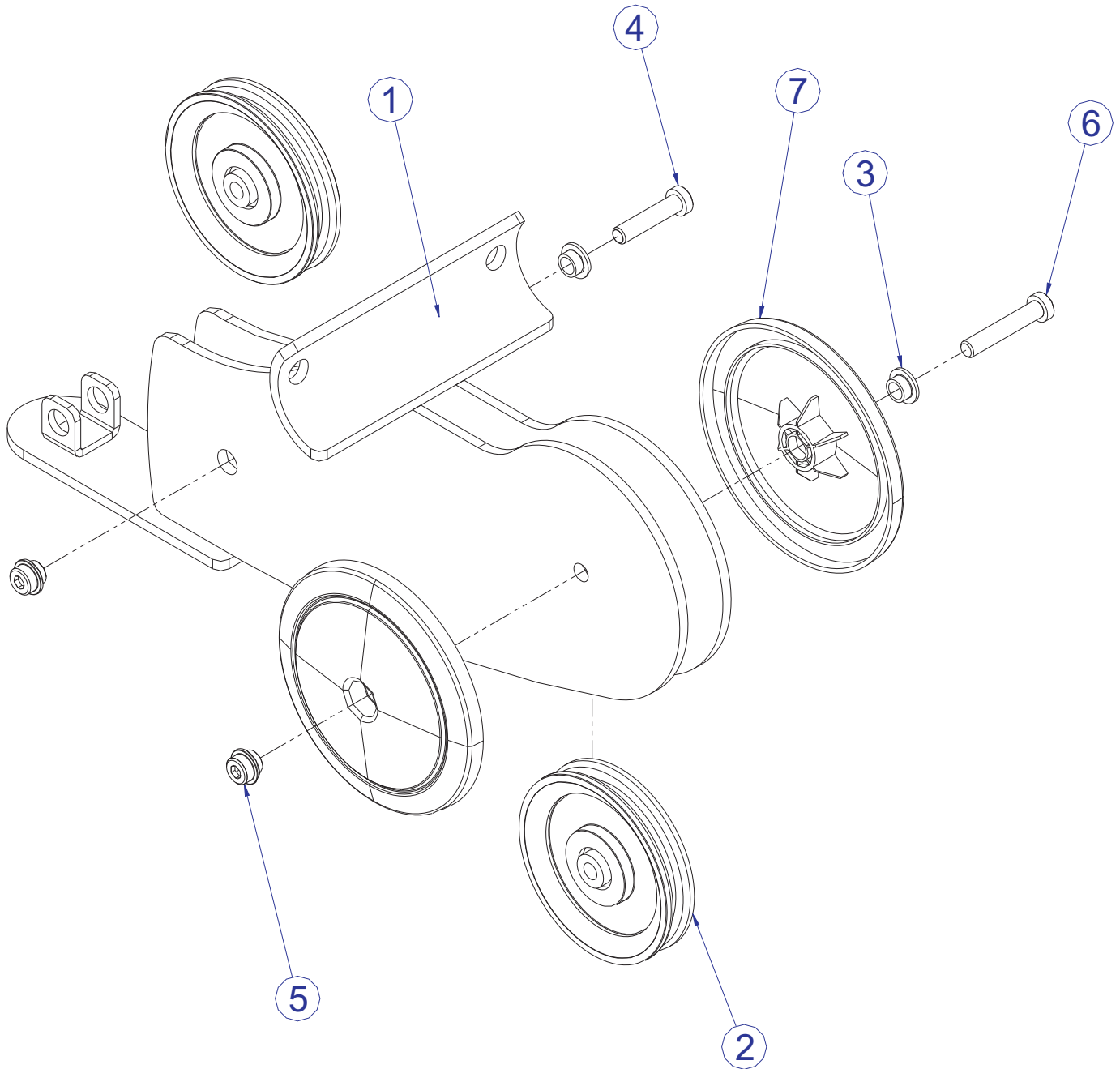


MJACO MULTI JUNGLE ADJUSTABLE CROSSOVER MJACO/AXO BOOM ASSEMBLY- 7641801



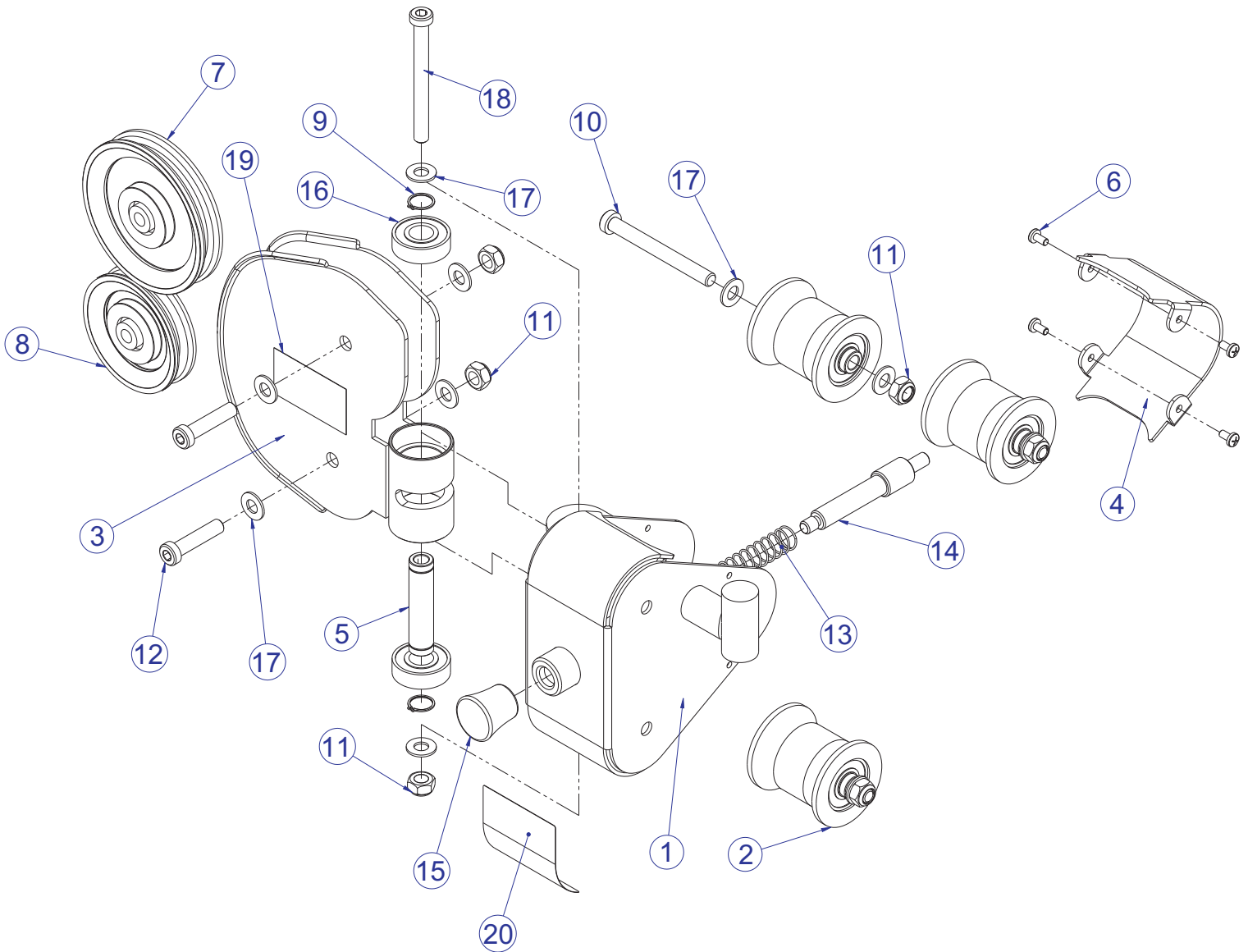
ITEM NO.	QTY.	PART NO.	DESCRIPTION
1	1	7638301	WLDMNT, MJACO/AXO BOOM
2	3	3237801	PULLEY, 4.5" OD
3	3	3236207	SCREW, M10 X1.5 50MM
4	3	7335401	NUT, M10 X 1.5 SOCKET HEAD
5	3	7630101	RETAINER, CM/MJ, PULLEY
6	4	7629901	COVER, PULLEY- BOLTED FULL
7	2	7630001	COVER, PULLEY BOLTED PARTIAL

MJACO MULTI JUNGLE ADJUSTABLE CROSSOVER MJAP BASE SUPPORT ASSEMBLY- 7645101



ITEM NO.	QTY.	PART NO.	DESCRIPTION
1	1	7634801	WLDMT, MJ ADJ PULLEY BASE
2	2	3237801	PULLEY, 4.5" OD
3	2	7630101	RETAINER, CM/MJ, PULLEY
4	1	3236206	SCREW, M10 X1.5 45MM
5	2	7335401	NUT, M10 X 1.5 SOCKET HEAD
6	1	3236208	SCREW, M10 X1.5 55MM
7	2	7629901	COVER, PULLEY- BOLTED FULL

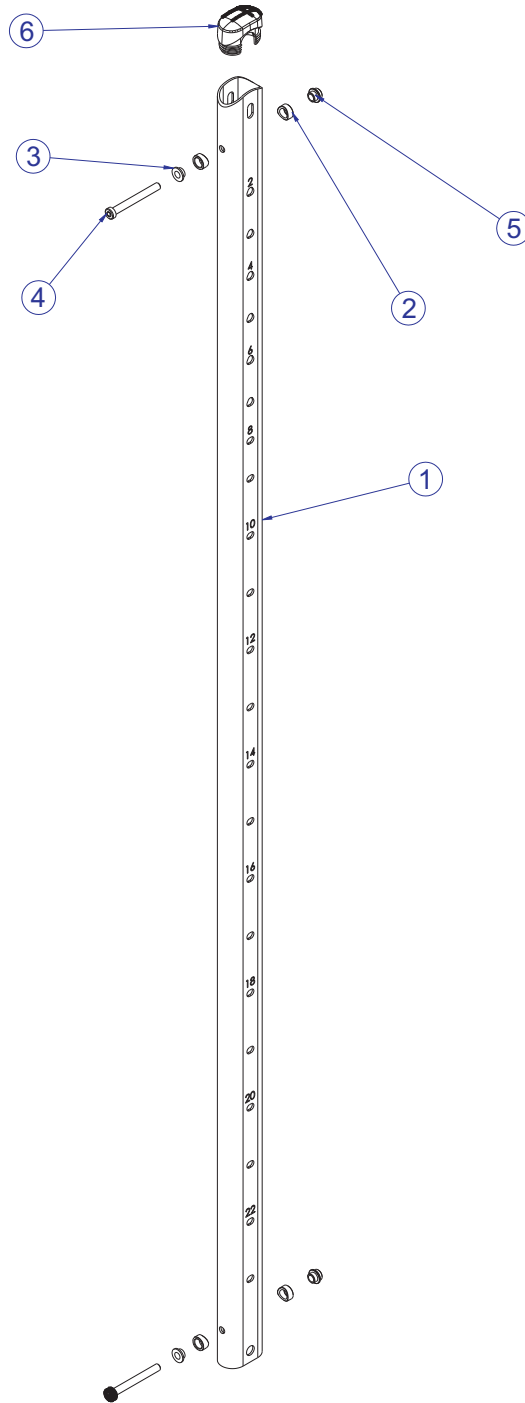
MJACO MULTI JUNGLE ADJUSTABLE CROSSOVER CM/MJ ADJ PULLEY CARRIAGE ASSEMBLY- 7645201



ITEM NO.	QTY.	PART NO.	DESCRIPTION
1	1	7637501	WLDMT, MJ ADJ PULLEY CARRIAGE
2	3	7637901	ASSY, ROLLER-CONCAVE
3	1	7633301	WLDMT, CM/MJ, SWIVEL PULLEY
4	1	7631801	BRKT, CM/MJ, CARRIAGE SHROUD
5	1	7645401	SHAFT, CM/MJ, 6203 BRNG
6	4	3239101	SCREW, M5X10 PHL PAN TT ST
7	1	3237801	PULLEY, 4.5" OD
8	1	3245701	PULLEY, 3.5" OD, 10MM ID SG
9	2	3232413	RING, BRE .588, 5100-62, ST PP B
10	3	3236216	SCREW, M10 X1.5 95MM

ITEM NO.	QTY.	PART NO.	DESCRIPTION
11	6	3236801	NUT, M10 HEX NYLOCK SS
12	2	3236206	SCREW, M10 X1.5 45MM
13	1	7351501	SPRING; PULL PIN LARGE
14	1	7822201	PIN, PULL - LONG NOSE
15	1	7351401	KNOB, TULIP STYLE
16	2	3245901	BEARING, 6203
17	12	3236601	WASHER, 3/8 SAE SS
18	1	3236217	SCREW, M10 X1.5 100MM
19	1	7422003	LABEL, MOVING PARTS
20	1	7821001	LABEL, WARNING ADJ. CARRIAGE

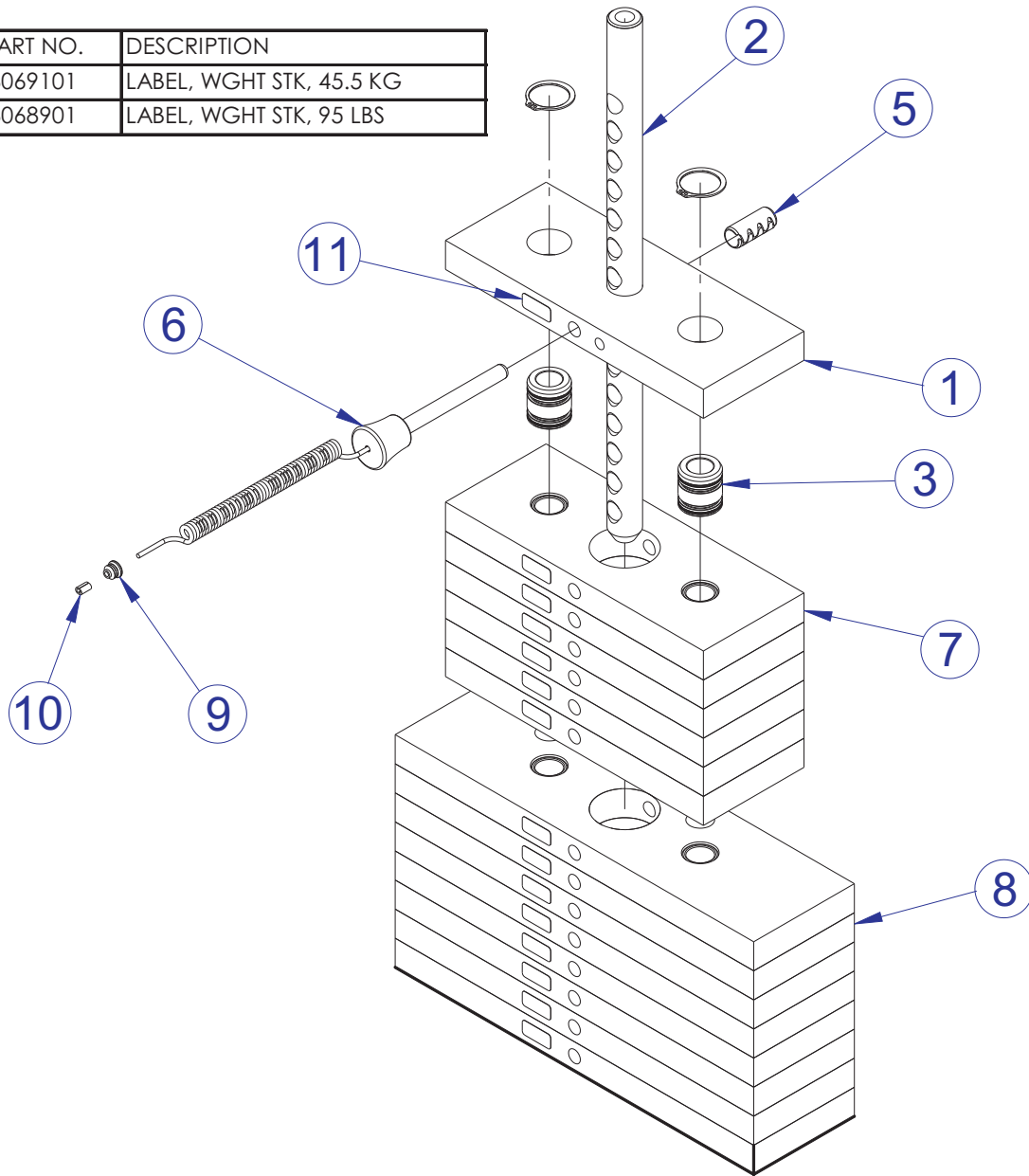
MJACO MULTI JUNGLE ADJUSTABLE CROSSOVER CM/MJ ADJ PULLEY COLUMN ASSEMBLY- 7708401



ITEM NO.	QTY.	PART NO.	DESCRIPTION
1	1	8264101	TUBE, CM/MJ ADJ COLUMN
2	4	7645501	SPACER, CM/MJ, SM FLOV CONCAVE
3	2	7630101	RETAINER, CM/MJ, PULLEY
4	2	3236215	SCREW, M10 X1.5 90MM
5	2	7335401	NUT, M10 X 1.5 SOCKET HEAD
6	1	7333801	CAP, SMALL FLOV- END

MJACO MULTI JUNGLE ADJUSTABLE CROSSOVER 190LB. WEIGHT STACK ASSEMBLY- 7647501

QTY.	PART NO.	DESCRIPTION
2	8069101	LABEL, WGHT STK, 45.5 KG
2	8068901	LABEL, WGHT STK, 95 LBS



ITEM NO.	QTY.	PART NO.	DESCRIPTION
1	1	7353901	HEADPLATE, WT. STACK
2	1	7352600	BAYONET, 14 PLATE
3	2	7338001	BUSHING, HEADPLATE
5	1	3236001	BUSHING, SPRING PIN
6	1	7353001	ASSY, SELECTOR PIN
7	6	7353701	ASSY, 10 LB PLATE
8	8	7353801	ASSY, 15 LB PLATE
9	1	7356501	PLUG, LANYARD ATTACHMENT
10	1	7523601	CRIMP, CABLE

MJACO MULTI JUNGLE ADJUSTABLE CROSSOVER

MJACO CABLE ROUTING GUIDE (cross-section)

MJACO CORE

MJ CORE

