

User Guide | Guide de l'utilisateur | Guía del Usuario



CD Clock Radio
Radio-réveil avec lecteur de CD
Reloj con radio y reproductor de CD

NS-C2116

Insignia NS-C2116 CD Clock Radio

Contents

Welcome 3
Safety information 3
Features 8
Setting up your CD clock radio 10
Using your CD clock radio 11
Troubleshooting 15
Maintaining your CD clock radio 17
Specifications 18
Legal notices 19
Warranty 21
Français 23
Español 43

Welcome

Congratulations on your purchase of a high-quality Insignia product. Your NS-C2116 represents the state of the art in CD clock radio design, and is designed for reliable and trouble-free performance.

Safety information

To prevent fire or shock hazard, do not use this plug, extension cord, receptical, or other outlet unless the blades can be fully inserted to prevent blade exposure. To prevent fire or shock harard do not expose this appliance to rain or moisture.

| | | |
|--|---|---|
|  | CAUTION RISK OF ELECTRIC SHOCK DO NOT OPEN |  |
| CAUTION: To reduce the risk of electric shock, do not remove cover (or back). No user-serviceable parts inside. Refer servicing to qualified service personnel. | | |



The lightning flash with arrowhead symbol within a triangle is intended to alert you to the presence of uninsulated dangerous voltage within your CD clock radio's enclosure that may be of sufficient magnitude to constitute risk of electric shock to persons.



The exclamation point within a triangle is intended to alert you to the presence of important operating and maintenance (servicing) instructions in the literature accompanying your CD clock radio.



DANGER: Invisible and hazardous laser radiation when open and interlock failed or defeated. Avoid direct exposure to beam.

**Warning**

Your CD player uses a laser system. Follow all operating instructions in this guide, and save this guide for future reference. If your CD player requires servicing, contact the seller or our service center.

To prevent direct exposure to the laser radiation, do not open the case. Invisible laser radiation is present when the case is opened or the interlocks are defeated. Do not stare into the laser beams.

Use of any controls, adjustments, or procedures other than those specified herein may result in hazardous radiation exposure.

**Caution**

Surge Protectors: We recommend that you use a surge protector for AC connection. Lightning and power surges ARE NOT covered under warranty for this product.

Caution:

Your CD clock radio should not be exposed to water (dripping or splashing) and no objects filled with liquids, should be placed on it.

Important safeguards

- **Read instructions**— Read all the safety and operating instructions before operating your CD clock radio.
- **Retain instructions**—Retain the safety and operating instructions for future reference.
- **Follow warnings**—Follow all warnings on your CD clock radio and in the operating instructions.

- **Follow instructions**—Follow all operating and use instructions.
- **Cleaning**—Unplug your CD clock radio from the power outlet before cleaning. Do not use liquid cleaners or aerosol cleaners. Use a damp cloth for cleaning.

Exception: A product that is meant for uninterrupted service and, that for some specific reason, such as the possibility of the loss of an authorization code for a CATV converter, is not intended to be unplugged by the user for cleaning or any other purpose, may exclude the reference to unplugging your recorder in the cleaning description otherwise required in this instruction.

- **Attachments**—Do not use attachments not recommended by your CD clock radiomanufacturer because they may cause hazards.
- **Water and moisture**—Do not use your CD clock radio near water, for example, near a bath tub, wash bowl, kitchen sink, or laundry tub, in a wet basement, or near a swimming pool.
- **Accessories**—Do not place your CD clock radio on an unstable cart, stand, tripod, bracket, or table. Your recorder may fall, causing serious injury to someone and serious damage to your CD clock radio. Use only with a cart, stand, tripod, bracket, or table recommended by the manufacturer, or sold with your CD clock radio.

If you mount your CD clock radio, follow the manufacturer's instructions and use a mounting accessory recommended by the manufacturer. Move a CD clock radio and cart combination with care. Quick stops, excessive force, and uneven surfaces may cause your CD clock radio and cart combination to overturn.



- **Ventilation**—Slots and openings in the cabinet and the back or bottom are provided for ventilation, to ensure reliable operation of your CD clock radio and to protect it from overheating. Do not block openings. Do not place your CD clock radio on a bed, sofa, rug, or other similar surface. Your CD clock radio should never be placed near or over a radiator or heat register. Do not place your CD clock radio in a built-in installation such as a bookcase or rack unless correct ventilation is provided or the manufacturer's instructions have been adhered to.
- **Power sources**—Use only the type of power source indicated on the marking label. If you are not sure of the type of power supply to your home, consult your CD clock radio dealer or local power company. For CD clock radios intended to operate from battery power, or other sources, refer to the operating instructions.
- **Grounding or polarization**—Your CD clock radio is equipped with a polarized alternating-current line plug (a plug having one blade wider than the other). This plug will fit into the power outlet only one way. This is a safety feature. If you are unable to insert the plug fully into the outlet, try reversing the plug. If the plug should still fail to fit, contact your electrician to replace your obsolete outlet. Do not defeat the safety purpose of the polarized plug.

- **Power-cord protection**—Route power-supply cords so that they are not likely to be walked on or pinched by items placed upon or against them, paying particular attention to cords at plugs, convenience receptacles, and the point where they exit from your CD clock radio.
- **Lightning**—For added protection for your CD clock radio during a lightning storm, or when it is left unattended and unused for long periods of time, unplug it from the power outlet and disconnect the antenna or cable system. This will prevent damage to your CD clock radio due to lightning and power-line surges.
- **Power lines**—An outside antenna system should not be located in the vicinity of overhead power lines or other electric light or power circuits, or where it can fall into such power lines or circuits. When installing an outside antenna system, do not touch power lines or circuits because contact with them might be fatal.
- **Overloading**—Do not overload power outlets and extension cords because this can result in a risk of fire or electric shock.
- **Object and liquid entry**—Never push objects of any kind into your CD clock radio through openings because they may touch dangerous voltage points or short out parts that could result in a fire or electric shock. Never spill liquid of any kind on your CD clock radio.
- **Servicing**—Do not attempt to service your CD clock radio yourself because opening or removing covers may expose you to dangerous voltage or other hazards. Refer all servicing to qualified service personnel.
- **Damage requiring service**—Unplug your CD clock radio from the power outlet and refer servicing to qualified service personnel under the following conditions:
 - When the power supply cord or plug is damaged or frayed.
 - If liquid has been spilled, or objects have fallen into your CD clock radio.
 - If your CD clock radio has been exposed to rain or water.
 - If your CD clock radio does not operate normally by following the operating instructions. Adjust only those controls that are covered by the operating instructions, because incorrect adjustment of other controls may result in damage and often requires extensive work by a qualified technician to restore your CD clock radio to its normal operation.
 - If your CD clock radio has been dropped or damaged in any way.
 - When your CD clock radio exhibits a distinct change in performance, this indicates a need for service.
- **Replacement parts**—When replacement parts are required, make sure that the service technician uses replacement parts specified by the manufacturer that have the same characteristics as the original part. Unauthorized substitutions may result in fire, electric shock, injury to persons, or other hazards.

- **Safety check**—Upon completion of any service or repairs to your CD clock radio, ask the service technician to perform routine safety checks to determine that your CD clock radio is in correct operating condition.
- **Heat**—Place your CD clock radio away from heat sources such as radiators, heat registers, stoves, or other products (including amplifiers) that produce heat.

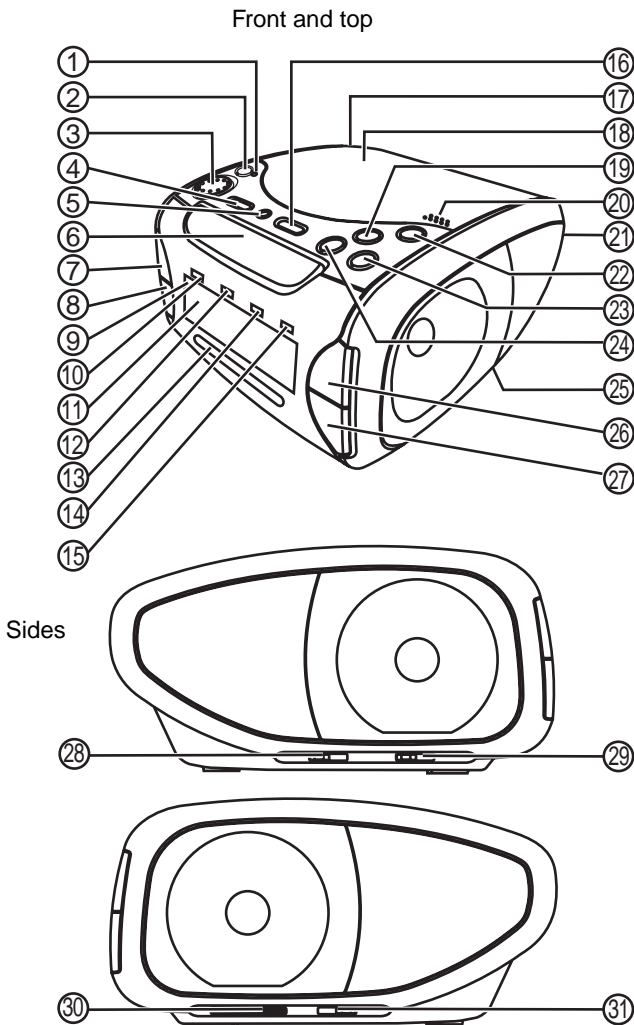
Caution

To prevent electric shock, match the wide blade of plug to the wide slot in the power outlet and fully insert the plug.

Note

Batteries should never be thrown away or incinerated, but should be disposed of in accordance with your local regulations concerning chemical wastes.

Features



| # | Description | Function |
|---|----------------|--------------------------------------|
| 1 | Sleep LED | Lights to indicate Sleep mode is on. |
| 2 | SLEEP button | Press to turn on Sleep mode. |
| 3 | VOLUME control | Turn to raise and lower the volume. |
| 4 | HOUR button | Press to set the hour. |

| # | Description | Function |
|----|------------------------------|---|
| 5 | CLOCK SET button | Press to enable setting the clock. |
| 6 | SNOOZE button | Press to turn off alarm for nine minutes. |
| 7 | SKIP Up ►► button | Press to skip forward on a CD. |
| 8 | SKIP Down ◀◀ button | Press to skip back on a CD. |
| 9 | PM indicator | Lights to indicate PM times. |
| 10 | FM ST (stereo) indicator | Lights to indicate an FM Stereo channel. |
| 11 | Display | Displays information about the radio or CD. |
| 12 | REPEAT indicator | Lights to indicate that the player is in Repeat mode. |
| 13 | AM/FM dial scale and pointer | Shows the AM and FM frequencies for tuning purposes. |
| 14 | PLAY/RANDOM indicator | Shows the current mode (Play or Random). |
| 15 | POWER indicator | Lights to indicate when the CD clock radio is on. |
| 16 | MIN button | Press to set the minute. |
| 17 | AC cord (in the back) | The AC power cord. |
| 18 | CD compartment | Place the CD in this compartment to play it. |
| 19 | RANDOM button | Press to play a CD in Random mode. |
| 20 | CD OPEN/CLOSE touchpoint | Press this touchpoint to open or close the CD compartment. |
| 21 | FM antenna | Improves reception for FM stations. |
| 22 | DIMMER button | Press in to make the display brighter, or press out to make the display darker. |
| 23 | REP button | Press to repeat a CD track or the entire CD. |
| 24 | ALARM SET button | Press to set the alarm time. |
| 25 | Battery compartment (bottom) | Open to insert the battery. |
| 26 | PLAY/PAUSE ►/ button | Press once to play a CD, press again to pause playback, and press again to resume playback. |
| 27 | STOP ■ button | Press to stop playback. |
| 28 | BUZZER/MUSIC switch | Toggles from wake to Buzzer mode to wake to Music mode. |
| 29 | AUTO/OFF/ON switch | Turns CD clock radio on and off, and sets the CD clock radio to turn on with the alarm. |
| 30 | TUNING knob | Turn to tune to desired radio station. |
| 31 | FUNCTION selector | Press to select sound source — AM, FM ST, or CD. |

Setting up your CD clock radio

Using AC power

To use AC power:

- 1 Make sure that your local AC power source matches the voltage shown on the plate located inside the battery compartment (120 V 60 Hz). If it does not, consult your dealer or service center.
- 2 Connect the power cord to the AC connector on the CD clock radio, then plug it into an AC power outlet.
- 3 To switch the CD clock radio off completely, unplug the power cord from the AC power outlet.

Caution

To protect your CD clock radio during heavy thunderstorms, unplug the power cord from the AC power outlet.

Using battery backup

Your CD clock radio has a battery backup feature that continues to operate the electronic clock if the AC cord is disconnected or if there is a power failure. The clock operates internally, with no display.

Check the condition of the battery periodically by disconnecting the AC cord and reconnecting it again several minutes later. The clock should maintain the correct time, even when the power is disconnected. During a power outage, if the power is not restored for longer than 30 minutes, the battery must be replaced and the time reset.

To install the battery:

- Open the battery compartment and insert a 9V battery, preferably alkaline. Make sure to match the polarity indicated by the "+" and "-" markings on the snap-on battery terminal.

Caution

Incorrect use of batteries can cause electrolyte leakage and can corrode the compartment or the batteries. To prevent this damage:

- Use only the size and type of battery specified in this guide.
- Remove the battery if the CD clock radio will not be used for an extended period of time.
- Do not try to recharge a non-rechargeable battery. The battery can overheat and rupture.

Using your CD clock radio

Turning your CD clock radio on and off

To use your CD clock radio:

- 1 Plug the AC power cord into a standard AC power outlet.
- 2 Slide the **AUTO/ON/OFF** switch to the **ON** position.
- 3 Adjust the sound level with the **VOLUME** control.
- 4 Turn off the CD clock radio by sliding the **AUTO/ON/OFF** switch to the **OFF** position.

Playing the radio

To use the radio:

- 1 Slide the **AUTO/ON/OFF** switch to the **ON** position.
- 2 Slide the **FUNCTION** switch to **AM** or **FM ST.**
- 3 Rotate the **TUNING** knob to the station you want.
 - For FM listening, extend the antenna and adjust for the best signal.
 - For AM listening, turn the CD clock radio for the best signal (it has a built-in antenna).

Note

If the **BAND** selector is set to **FM ST.**, when you tune to an FM stereo station the FM Stereo LED lights.

- 4 To turn the radio off, slide the **AUTO/ON/OFF** switch to **OFF**.

Playing CDs

The CD clock radio can play audio discs, including CD-R discs. The CD clock radio is not compatible with CD-ROM, CDI, VCD, DVD, or computer CDs.

Note

- If a disc is inserted incorrectly, is dirty, or damaged, it will not play.
- To prevent damage to the disc, never open the CD compartment while the disc is spinning.
- Never touch the laser lens.
- The CD clock radio should only be used on a steady surface.

To play a CD:

- 1 Slide the **AUTO/ON/OFF** switch to the **ON** position.
- 2 Slide the **FUNCTION** switch to **CD**.
- 3 Open the CD compartment by pressing the **OPEN/CLOSE** spot on the top of the CD clock radio.
- 4 Press a CD or CD-R disc, with the label side up, onto the spindle, then close the CD compartment.
- 5 Press the **PLAY/PAUSE ▶/||** button to start playback. The **PLAY/RAND** indicator lights.
 - To pause playback, press the **PLAY/PAUSE ▶/||** button. The **PLAY/RAND** indicator blinks.
 - To resume playback, press the **PLAY/PAUSE ▶/||** button again.
- 6 Adjust the **VOLUME** control to a comfortable level.
- 7 Press the **STOP ■** button to stop the CD playback.

Selecting a different track**To select a different track on a CD:**

- 1 While a CD is playing, press the **SKIP Up ▶▶** button once for the next track, or press repeatedly until the track you want begins playing.
- 2 Press the **SKIP Down ◀◀** button once to return to the beginning of the current track, or press repeatedly to go to a previous track until the track you want begins playing.
- 3 If you selected a track while the CD is stopped or paused, press **PLAY/PAUSE ▶/||** to begin playback.

Locating a specific passage**To locate a specific passage within a track:**

- 1 While a CD is playing, press and hold the **SKIP Up ▶▶** or **SKIP Down ◀◀** button. The CD plays at high speed and low volume.
- 2 When you reach the passage you want, release the button and normal playback resumes.

Using Repeat mode

To use Repeat mode to repeat a single track:

- 1 Press the **REPEAT** button once. The **REPEAT** indicator blinks.
- 2 Press the **PLAY/PAUSE** ►/|| button to begin playback, then press the **SKIP Up** ►► or **SKIP Down** ◄◄ button to select the track to repeat. The track you select is repeated continuously.
- 3 To cancel Repeat mode, press the **REPEAT** button twice. The **REPEAT** indicator turns off.
- 4 Press the **STOP** ■ button to stop the CD playback.

To use Repeat mode to repeat an entire CD:

- 1 Press the **REPEAT** button twice. The **REPEAT** indicator turns on.
- 2 Press the **PLAY/PAUSE** ►/|| button to begin playback. The entire CD is repeated continuously.
- 3 To cancel Repeat mode, press the **REPEAT** button twice. The **REPEAT** indicator turns off.
- 4 Press the **STOP** ■ button to stop the CD playback.

Using Random mode

To play random tracks on a CD:

- 1 Press the **RANDOM** button once. The CD begins random playback and the **PLAY/RAND** indicator blinks.
- 2 Press the **RANDOM** button again to cancel Random mode and return to normal playback. The **PLAY/RAND** indicator turns on.

Using the alarm clock

To set the clock:

- 1 Press and hold the **CLOCK SET** button.
- 2 Press the **HOUR** button repeatedly until the current hour is shown on the display (or press and hold the button to advance the hours rapidly).

Note

When setting the hour, make sure that the PM indicator is on when the hour is PM and off when the hour is AM.

- 3 Press the **MIN** (minute) button repeatedly until the current minute is shown on the display (or press and hold the button to advance the minutes rapidly).
- 4 When the correct time is shown on the display, release the **CLOCK SET** button.

To set the alarm:

- 1 Press and hold the **ALARM SET** button.
- 2 Press the **HOUR** button repeatedly until the correct hour is shown on the display (or press and hold the button to advance the hours rapidly).

Note

When setting the hour, make sure that the PM indicator is on when the alarm is to be set for PM and off when the alarm is to be set for AM.

- 3 Press the **MIN** (minute) button repeatedly until the correct minute is shown on the display (or press and hold the button to advance the minutes rapidly).
- 4 When the correct time is shown on the display, release the **ALARM SET** button.

To set the alarm to wake to the buzzer:

- 1 Set the alarm time by following the instructions in "To set the alarm:" on page 14.
- 2 Set the **AUTO/OFF/ON** switch to **AUTO**, then set the **BUZZER/MUSIC** switch to **BUZZER**.
When the alarm turns on, the buzzer sounds (for up to 120 minutes).
- 3 To turn off the alarm, slide the **AUTO/ON/OFF** switch to **OFF**.

To set the alarm to Wake to Radio:

- 1 Set the alarm time by following the instructions in "To set the alarm:" on page 14.
- 2 Set the **FUNCTION** switch to **AM** or **FM ST**, then tune the radio to the station you want.
- 3 Turn the **VOLUME** knob to set the volume to a comfortable level.
- 4 Set the **AUTO/OFF/ON** switch to **AUTO**, then set the **BUZZER/MUSIC** switch to **MUSIC**.
- 5 Set the **FUNCTION** switch to **AM** or **FM ST**. When the alarm turns on, the radio plays your selected station (for up to 120 minutes).
- 6 To turn off the alarm, slide the **AUTO/ON/OFF** switch to **OFF**.

To set the alarm to Wake to a CD:

- 1 Set the alarm time by following the instructions in “To set the alarm:” on page 14.
- 2 Set the **FUNCTION** switch to **CD**, then insert a CD into the CD compartment.
- 3 Turn the **VOLUME** knob to set the volume to a comfortable level.
- 4 Set the **AUTO/OFF/ON** switch to **AUTO**, then set the **BUZZER/MUSIC** switch to **MUSIC**.
- 5 Set the **FUNCTION** switch to **CD**. When the alarm turns on, the CD plays (for up to 120 minutes).
- 6 To turn off the alarm, slide the **AUTO/ON/OFF** switch to **OFF**.

To use the SNOOZE feature:

- To temporarily turn off the alarm (for nine minutes), press the **SNOOZE** button on top of the CD clock radio.

To set the SLEEP timer:

- 1 Set the **AUTO/OFF/ON** switch to **AUTO**.
- 2 Press the **SLEEP** button. The CD clock radio turns on for 59 minutes, “59” is shown on the display, and the **SLEEP** indicator lights.
- 3 To set the sleep time, press and hold the **SLEEP** button, then press the **HOOR** or **MINUTE** button to set the time you want (maximum sleep setting time is 1 hour and 59 minutes).
- 4 Press the **SNOOZE** button to cancel Sleep mode and turn off the CD clock radio.

Troubleshooting

If you experience a problem with this CD clock radio, check the following chart before calling for service.

| Problem | Possible cause | Solution |
|-------------------|--|----------------------------|
| No sound or power | The volume set too low. | Turn up the volume. |
| | The AC power cord is not securely connected. | Connect the AC power cord. |

| Problem | Possible cause | Solution |
|--------------------------------------|---|--|
| The CD does not play | The CD was incorrectly inserted. | Reinsert the CD, label side up. |
| | The CD is defective. | Try another CD. |
| | The CD compartment is not closed. | Close the CD compartment. |
| | There is condensation in the CD compartment. | Remove the CD and leave the cover open for about an hour in a dry environment. |
| The CD skips during play. | The CD or lens is dirty. | Clean or replace the CD, or clean the lens. |
| | Strong shaking or vibrations. | Place the CD clock radio on a flat and stable surface without vibration. |
| | The CD player is programmed to skip a track. | Exit the Program mode. |
| The time is reset to "12:00" | The battery is not connected correctly or is dead. | Check the battery. |
| | The clock has not been set. | Set the clock. |
| The alarm does not turn on. | The FUNCTION switch is not set to AUTO . | Set the FUNCTION switch to AUTO . |
| | The clock is not set. | Set the clock. |
| | The alarm time is not set. | Set the alarm time. |
| No sound or poor sound on the radio. | The power is not on. | Press the POWER button to turn on the power. |
| | The station is not tuned in correctly. | Retune the station. |
| | FM—The antenna is not correctly adjusted. | Adjust the FM antenna for better reception. |
| | AM—The CD clock radio is not positioned for good reception. | Rotate the CD clock radio for better reception. |
| | The volume is set too low. | Turn up the volume. |

Maintaining your CD clock radio

Cleaning the case

Warning

To avoid the risk of fire or shock, unplug the AC power connector before cleaning the CD clock radio.

Wipe with a soft cloth. If the case is very dirty, moisten the cloth with a weak solution of non-caustic detergent and water.

Cleaning the lens

A dirty lens can cause skipping and can even stop the CD player from working.

To clean dry particles and dust from the lens:

- 1 Open the CD cover.
- 2 Use a camera lens puffer/brush to blow repeatedly on the lens, then wipe with the brush to remove dust.
- 3 Blow again to remove loose particles.

To clean fingerprints from the lens:

- If the lens does not become clean with the puffer/brush, wipe the lens with a soft cotton cloth.

Cleaning and caring for CDs

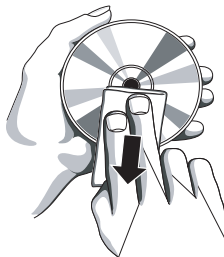
Caution

Do not use solvents such as benzene, thinners, commercial cleaning fluids, or anti-static sprays designed for vinyl records.

Keep the following in mind:

- Treat the disc carefully. Handle the disc only by its edges. Never allow your fingers to come in contact with the shiny, unprinted side of the disc.
- Do not attach adhesive tape or stickers to the disc label.
- Clean the disc periodically with a soft, lint-free, dry cloth. Never use detergents or abrasive cleaners to clean the disc. If necessary, use a CD cleaning kit.
- If a disc skips or gets stuck on a section of the disc, it is probably dirty or scratched.

- When cleaning the disc, wipe in straight lines from the center of the disc to the outer edge of the disc. Never wipe in circular motions.



- This CD clock radio is designed to play only discs bearing the identification logo as shown here. Other discs may not conform to the CD standard and may not play properly.
- Discs should be stored in their cases after each use to avoid damage.
- Do not expose discs to direct sunlight, high humidity, high temperatures and dust. Prolonged exposure or extreme temperatures can warp the disc.
- Do not affix labels to or write anything on either side of the disc. Sharp writing instruments or ink may damage the surface.



Specifications

| AUDIO | |
|------------------------|---|
| Frequency range | AM: 530~1710 KHz FM: 88~108 MHz |
| Output power | 1 W x 2 |
| CD section | Optical pickup: Semi-conductor laser (780 nm) |
| GENERAL | |
| Power supply | AC: 120 V @ 60 Hz |
| Battery | 9V DC (to back up the clock) |
| Disc size | 4.72 inches (120 mm) 3.15 inches (80 mm) single CD |

Legal notices

FCC Part 15

This equipment has been tested and found to comply with the limit for a Class B digital device, pursuant to Part 15 of the FCC Rules. These limits are designed to provide reasonable protection against harmful interference in a residential installation.

This equipment generates, uses and can radiate radio frequency energy and, if not installed and used in accordance with the instructions, may cause harmful interference to radio communications. However, there is no guarantee that interference will not occur in a particular installation.

If this equipment does not cause harmful interference to radio or television reception which can be determined by turning the equipment off and on, the user is encourage to try to correct the interference by one or more of the following measures.

- Reorient or relocate the receiving antenna.
- Increase the separation between the equipment and receiver.
- Connect the equipment into an outlet on a circuit different from that to which the receiver is connected.
- Consult the dealer or an experienced radio or TV technician for help.

Copyright

© 2006 Insignia. Insignia and the Insignia logo are trademarks of Best Buy Enterprise Services, Inc. Other brands and product names are trademarks or registered trademarks of their respective holders. Specifications and features are subject to change without notice or obligation.

For service and support call (877) 467-4289.

Warranty

90-day limited warranty

Insignia Products (“Insignia”) warrants to you, the original purchaser of this new Insignia NS-C2116 CD Clock Radio (“Product”), that the Product shall be free of defects in the original manufacture of the material or workmanship for a period of 90 days from the date of your purchase of the Product (“Warranty Period”). This Product must be purchased from an authorized dealer of Insignia brand products and packaged with this warranty statement. This warranty does not cover refurbished Product. If you notify Insignia during the Warranty Period of a defect covered by this warranty that requires service, terms of this warranty apply.

How long does the coverage last?

The Warranty Period lasts for 90 days from the date you purchased the Product. The purchase date is printed on the receipt you received with the Product.

What does this warranty cover?

During the Warranty Period, if the original manufacture of the material or workmanship of the Product is determined to be defective by an authorized Insignia repair center or store personnel, Insignia will (at its sole option): (1) repair the Product with new or rebuilt parts; or (2) replace the Product at no charge with new or rebuilt comparable products or parts. Products and parts replaced under this warranty become the property of Insignia and are not returned to you. If service of Products or parts are required after the Warranty Period expires, you must pay all labor and parts charges. This warranty lasts as long as you own your Insignia Product during the Warranty Period. Warranty coverage terminates if you sell or otherwise transfer the Product.

How to obtain warranty service?

If you purchased the Product at a retail store location, take your original receipt and the Product to the store you purchased it from. Make sure that you place the Product in its original packaging or packaging that provides the same amount of protection as the original packaging. If you purchased the Product from an online web site, mail your original receipt and the Product to the address listed on the web site. Make sure that you put the Product in its original packaging or packaging that provides the same amount of protection as the original packaging.

Where is the warranty valid?

This warranty is valid only to the original purchaser of the product in the United States and Canada.

What does the warranty not cover?

This warranty does not cover:

- Customer instruction
- Installation
- Set up adjustments
- Cosmetic damage
- Damage due to acts of God, such as lightning strikes
- Accident
- Misuse
- Abuse
- Negligence
- Commercial use
- Modification of any part of the Product, including the antenna

This warranty also does not cover:

- Damage due to incorrect operation or maintenance

- Connection to an incorrect voltage supply
- Attempted repair by anyone other than a facility authorized by Insignia to service the Product
- Products sold as is or with all faults
- Consumables, such as fuses or batteries
- Products where the factory applied serial number has been altered or removed

REPAIR REPLACEMENT AS PROVIDED UNDER THIS WARRANTY IS YOUR EXCLUSIVE REMEDY. INSIGNIA SHALL NOT BE LIABLE FOR ANY INCIDENTAL OR CONSEQUENTIAL DAMAGES FOR THE BREACH OF ANY EXPRESS OR IMPLIED WARRANTY ON THIS PRODUCT, INCLUDING, BUT NOT LIMITED TO, LOST DATA, LOSS OF USE OF YOUR PRODUCT, LOST BUSINESS OR LOST PROFITS. INSIGNIA PRODUCTS MAKES NO OTHER EXPRESS WARRANTIES WITH RESPECT TO THE PRODUCT, ALL EXPRESS AND IMPLIED WARRANTIES FOR THE PRODUCT, INCLUDING, BUT NOT LIMITED TO, ANY IMPLIED WARRANTIES OF AND CONDITIONS OF MERCHANTABILITY AND FITNESS FOR A PARTICULAR PURPOSE, ARE LIMITED IN DURATION TO THE WARRANTY PERIOD SET FORTH ABOVE AND NO WARRANTIES, WHETHER EXPRESS OR IMPLIED, WILL APPLY AFTER THE WARRANTY PERIOD. SOME STATES, PROVINCES AND JURISDICTIONS DO NOT ALLOW LIMITATIONS ON HOW LONG AN IMPLIED WARRANTY LASTS, SO THE ABOVE LIMITATION MAY NOT APPLY TO YOU. THIS WARRANTY GIVES YOU SPECIFIC LEGAL RIGHTS, AND YOU MAY ALSO HAVE OTHER RIGHTS, WHICH VARY FROM STATE TO STATE OR PROVINCE TO PROVINCE.

Insignia NS-C2116

Radio-réveil avec lecteur de CD

Table des matières

| | |
|---|----|
| Bienvenue | 23 |
| Informations sur la sécurité | 23 |
| Fonctionnalités | 28 |
| Installation du radio-réveil avec lecteur de CD | 30 |
| Fonctionnement du radio-réveil avec lecteur de CD | 31 |
| Problèmes et solutions | 36 |
| Entretien du radio-réveil avec lecteur de CD | 38 |
| Spécifications | 39 |
| Avis juridiques | 40 |
| Garantie | 41 |

Bienvenue

Félicitations d'avoir acheté ce produit Insignia de haute qualité. Le modèle NS-C2116 représente la dernière avancée technologique dans la conception de radio-réveil avec lecteur de CD et il a été conçu pour des performances et une fiabilité exceptionnelles.

Informations sur la sécurité

Afin de réduire les risques d'incendie et de choc électrique, ne pas utiliser cette prise avec une rallonge ou autres prises d'alimentation, sauf si les plots peuvent s'y enfoncer entièrement en évitant qu'ils ne soient exposés. Afin de réduire les risques d'incendie et de choc électrique, ne pas exposer cet appareil à la pluie ou l'humidité.





L'éclair fléché au centre d'un triangle équilatéral prévient l'utilisateur de la présence de tensions élevées non isolées dans l'appareil, pouvant constituer un risque de choc électrique pour les personnes.



Le point d'exclamation au centre d'un triangle équilatéral prévient l'utilisateur de la présence d'instructions importantes dans le manuel de l'utilisateur livré avec l'appareil concernant son utilisation et son entretien.



DANGER : Des radiations laser dangereuses et invisibles sont émises lorsque le couvercle de CD est ouvert et que les verrous de sécurité sont défectueux ou ont été contournés. Éviter toute exposition directe aux rayons laser.



Avertissement

Le lecteur de CD est équipé d'un système au laser. Observer toutes les instructions d'utilisation dans ce guide et le conserver pour toute référence ultérieure. Si l'appareil a besoin d'être réparé, contacter le vendeur ou notre centre de réparation.

Pour éviter toute exposition à des radiations lasers, ne pas ouvrir le boîtier. Un rayonnement laser invisible est émis quand le boîtier est ouvert ou que le dispositif de verrouillage est défectueux. Ne pas regarder directement le faisceau laser.

L'utilisation de commandes, de réglages ou l'exécution de procédures autres que celles indiquées ici peuvent aboutir à une irradiation dangereuse.



Attention

Protection contre les surtensions : Il est recommandé d'utiliser un limiteur de surtension sur la connexion au secteur. La foudre et les surtensions ne sont pas couvertes par la garantie de ce produit.

Attention :

Cet appareil ne doit pas être exposé à des éclaboussures ou à des gouttes d'eau et aucun objet rempli de liquide ne doit être posé sur l'appareil.

Importantes mesures de sécurité

- **Lire les instructions** – Lire toutes les instructions de sécurité et de fonctionnement avant d'utiliser l'appareil.
- **Conserver les instructions** – Conserver les instructions de sécurité et de fonctionnement pour toute référence ultérieure.

- **Respecter les avertissements** – Observer tous les avertissements figurant sur l'appareil ainsi que dans les instructions d'utilisation.
- **Suivre les instructions** – Toutes les instructions d'utilisation doivent être appliquées.
- **Nettoyage** – Débrancher l'appareil de la prise secteur avant tout nettoyage. Ne pas utiliser de nettoyants liquides ou en aérosol. Utiliser un chiffon humide pour le nettoyage.

Exception : Un produit qui est destiné à un service ininterrompu et qui, pour une raison spécifique (comme par exemple le risque de perdre un code d'autorisation pour un convertisseur de TV câblée) ne doit pas être débranché par l'utilisateur pour le nettoyage ou pour toute autre raison, pourra ne pas comporter la référence au débranchement de l'appareil dans la description du nettoyage qui est sinon requise dans ces instructions.

- **Périphériques** – Ne pas utiliser de périphériques qui ne sont pas recommandés par le fabricant du radio-réveil avec lecteur de CD et qui pourraient être dangereux.
- **Eau et humidité** – Ne pas utiliser cet appareil à proximité de l'eau, par exemple, à côté d'une baignoire, d'un lavabo, d'un évier, d'un bac à laver, dans une cave humide ou à côté d'une piscine.
- **Accessoires** – Ne pas placer l'appareil sur une table roulante, un pied, un trépied, un support ou une table. L'appareil risque de tomber et, dans sa chute, de provoquer des blessures graves et de subir des dommages importants. N'utiliser qu'avec la table roulante, le pied, le trépied, le support ou la table recommandés par le fabricant ou vendus avec l'appareil.

Pour installer l'appareil sur un support, observer les instructions du fabricant et utiliser un accessoire de montage recommandé par le fabricant. Déplacer cet appareil sur un meuble à roulettes avec précaution. Un arrêt brusque, l'utilisation d'une force excessive et des surfaces irrégulières risquent de déstabiliser l'appareil et de le renverser.



- **Ventilation** – Les fentes et ouvertures au dos et au bas du boîtier sont prévues pour la ventilation, pour assurer un fonctionnement fiable de l'appareil et le protéger contre toute surchauffe. Ne pas obstruer les ouvertures. Ne pas placer l'appareil sur un lit, un sofa, une moquette ou toute autre surface semblable. Cet appareil ne doit jamais être positionné à proximité ou sur un radiateur, ou une bouche de chauffage. Ne pas installer l'appareil dans un meuble encastré tel qu'une bibliothèque ou sur une étagère, sauf si une ventilation adéquate a été prévue ou si les instructions du fabricant ont été respectées.

- **Sources d'alimentation** – Utiliser uniquement le type d'alimentation électrique indiqué sur la plaque signalétique. En cas d'incertitude sur la tension d'alimentation électrique de la maison, consulter le revendeur de l'appareil ou la compagnie d'électricité. Pour les appareils fonctionnant sur piles ou d'autres sources d'alimentation électrique, consulter les instructions d'utilisation.
- **Mise à la terre ou polarisation** – L'appareil est équipé d'une prise de courant CA polarisée (à deux plots, un plus large que l'autre). Cette fiche ne s'insère dans une prise murale que d'une seule façon. Il s'agit d'un dispositif de sécurité. S'il est impossible d'introduire à fond la fiche dans la prise secteur, essayer de retourner la prise. Si la fiche ne s'adapte toujours pas à la prise secteur, contacter un électricien afin qu'il remplace la prise inadéquate. Ne pas chercher à modifier le dispositif de sécurité de la prise polarisée.
- **Protection du cordon d'alimentation** – Acheminer le cordon d'alimentation de telle manière qu'on ne puisse pas marcher dessus ou qu'il ne soit pas pincé par des objets placés dessus ou tout contre ; prêter particulièrement attention au point de raccordement du cordon à la prise murale, à la plaque multiprises et au connecteur de l'appareil sur lequel il est branché.
- **Foudre** – Pour protéger l'appareil pendant un orage ou s'il se trouve inutilisé et sans surveillance pendant de longues périodes, le débrancher de la prise secteur et débrancher l'antenne ou la connexion au réseau câblé. Ceci évitera d'endommager l'appareil en cas de foudre et de variations de tension du secteur.
- **Lignes électriques** – L'antenne externe ne doit pas être située près de lignes électriques aériennes ou d'autres circuits d'alimentation et électriques, ni à un emplacement où elle pourrait tomber sur de tels circuits ou lignes électriques. Lors de l'installation d'une antenne externe, ne pas toucher les lignes ou circuits électriques car tout contact peut être mortel.
- **Surcharge** – Les prises murales et les rallonges ne doivent pas être surchargées, ce qui pourrait provoquer des risques d'incendie ou de choc électrique.
- **Pénétration de liquides et d'objets divers** – Ne jamais enfoncer un objet quelconque dans les ouvertures de l'appareil, car il pourrait entrer en contact avec des tensions dangereuses ou provoquer un court-circuit à l'origine d'un incendie ou d'un choc électrique. Ne jamais répandre un liquide sur l'appareil.
- **Réparation** – L'utilisateur ne doit pas essayer de réparer cet appareil lui-même ; en effet son ouverture ou le démontage des couvercles peut l'exposer à des tensions dangereuses et à d'autres dangers. Toutes les réparations doivent être réalisées par du personnel qualifié.
- **Domages requérant des réparations** – Débrancher l'appareil de la prise secteur et utiliser les services d'un technicien qualifié dans les conditions suivantes :

- Lorsque le cordon d'alimentation est effiloché ou la prise endommagée.
- Déversement d'un liquide ou chute d'objet sur l'appareil.
- Si l'appareil a été exposé à la pluie ou à l'eau.
- Si l'appareil fonctionne anormalement malgré l'application des instructions d'utilisation. Ne régler que les commandes décrites dans les instructions d'utilisation ; en effet, un réglage incorrect d'autres commandes pourrait provoquer des détériorations entraînant souvent d'importantes réparations par un technicien qualifié afin de rétablir un fonctionnement normal.
- Si l'appareil est tombé ou s'il est endommagé de quelque façon que ce soit.
- Lorsque l'appareil présente d'importantes modifications de ses performances, il doit faire l'objet d'une réparation.
- **Pièces de remplacement** – Si des pièces doivent être remplacées, s'assurer que le technicien a utilisé des pièces spécifiées par le fabricant ayant les mêmes caractéristiques que celles d'origine. Toute substitution par des pièces non autorisées risque de provoquer un incendie, un choc électrique, des blessures de personnes ou d'autres dangers.
- **Contrôle de sécurité** – Les réparations ou la maintenance ayant été effectuées, demander au technicien de réaliser les contrôles de sécurité de routine afin de déterminer que l'appareil est en bon état de fonctionnement.
- **Chaleur** – Installer l'appareil à l'écart de sources de chaleur, telles que radiateurs, bouches de chaleur, fours ou autres appareils (y compris les amplificateurs) qui produisent de la chaleur.

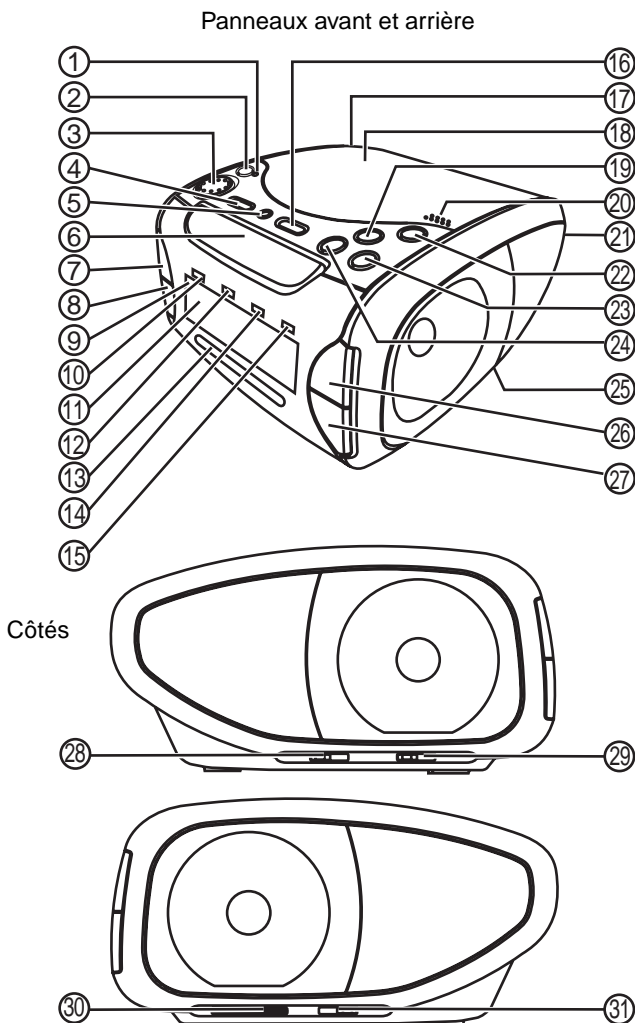
Attention

Pour éviter les chocs électriques, introduire la lame la plus large de la fiche dans la fente correspondante de la prise et pousser à fond.

Remarque

Les piles ne doivent jamais être mises au rebut ni incinérées, mais éliminées de façon conforme aux réglementations locales concernant les déchets chimiques.

Fonctionnalités



| # | Description | Fonction |
|---|------------------------------|--|
| 1 | Témoin à DEL d'arrêt différé | S'allume pour indiquer que le mode arrêt différé est activé. |
| 2 | Touche d'ARRÊT DIFFÉRÉ | Permet d'activer le mode arrêt différé. |

| # | Description | Fonction |
|----|---|--|
| 3 | Commande du VOLUME | Permet d'augmenter ou de diminuer le volume. |
| 4 | Touche HEURE | Permet de régler l'heure. |
| 5 | Touche RÉGLAGE DU RÉVEIL | Permet de régler l'heure du réveil. |
| 6 | Touche RAPPEL D'ALARME | Permet d'arrêter l'alarme pendant environ neuf minutes. |
| 7 | Touche AVANCE RAPIDE ►► | Permet l'avance rapide d'un CD. |
| 8 | Touche RETOUR RAPIDE ◄◄ | Permet le retour rapide sur un CD. |
| 9 | Témoin de l'après-midi (PM) | S'allume pour indiquer l'heure de l'après-midi (12h à 00h.). |
| 10 | Témoin FM ST (stéréo) | S'allume pour indiquer un canal FM en stéréo. |
| 11 | Affichage | Affiche des informations relatives au radio-réveil ou au CD. |
| 12 | Témoin RÉPÉTITION | S'allume pour indiquer que le lecteur de CD est en mode répétition. |
| 13 | Gamme d'ondes et pointeur AM/FM | Affiche les fréquences AM et FM pour la syntonisation. |
| 14 | Témoin LECTURE/ALÉATOIRE | Affiche le mode actuel (Lecture ou aléatoire). |
| 15 | Témoin MARCHE-ARRÊT | S'allume pour indiquer que le radio-réveil est en marche. |
| 16 | Touche MIN | Permet de régler les minutes. |
| 17 | Cordon CA (à l'arrière) | Cordon d'alimentation CA. |
| 18 | Compartiment du CD | Placer le CD dans ce compartiment pour la lecture. |
| 19 | Touche LECTURE ALÉATOIRE | Permet de lire un CD en mode aléatoire. |
| 20 | Touche OUVERTURE/ FERMETURE du compartiment du CD | Permet d'ouvrir ou de fermer le compartiment du CD. |
| 21 | Antenne FM | Pour une réception optimale des stations FM. |
| 22 | Touche du GRADATEUR | L'enfoncer pour augmenter l'intensité l'affichage ou la faire ressortir pour diminuer l'intensité. |
| 23 | Touche REP (répétition) | Permet de répéter la lecture d'une piste ou d'un CD tout entier. |
| 24 | Touche RÉGLAGE DE L'ALARME | Permet de régler l'heure de l'alarme. |
| 25 | Compartiment de la pile (en dessous) | Ouvrir pour y insérer les piles. |

| # | Description | Fonction |
|----|-------------------------------------|---|
| 26 | Touche LECTURE/PAUSE ►/ | Appuyer une fois pour lire un CD, une deuxième fois pour arrêter momentanément la lecture puis encore une fois pour la reprendre. |
| 27 | Touche ARRÊT ■ | Permet d'arrêter la lecture. |
| 28 | Commutateur SONNERIE/ MUSIQUE | Permet de basculer entre le réveil par mode sonnerie ou le réveil par mode musique. |
| 29 | Touche AUTOMATIQUE/ ARRÊT/MARCHE | Permet d'allumer ou d'éteindre l'appareil et d'activer la radio ou le lecteur de CD avec l'alarme. |
| 30 | Bouton SYNTONISATION | Permet de syntoniser la station radio souhaitée. |
| 31 | Sélecteur de FONCTIONS | Permet de sélectionner la source audio — AM, FM ST ou CD. |

Installation du radio-réveil avec lecteur de CD

Utilisation de l'alimentation CA

Pour utiliser l'alimentation CA :

- 1 Vérifier que la source d'alimentation CA locale correspond à la tension indiquée sur la plaque signalétique à l'intérieur du compartiment de la pile (120 V 60 Hz). Si elle ne correspond pas, contacter le détaillant ou un centre de réparation.
- 2 Brancher le cordon d'alimentation au connecteur CA sur l'appareil, puis l'autre extrémité sur une prise secteur CA.
- 3 Pour éteindre l'appareil complètement, débrancher le cordon d'alimentation de la prise secteur CA.

Attention

Afin de protéger l'appareil pendant les gros orages, débrancher le cordon d'alimentation de la prise secteur CA.

Utilisation de la pile de secours

L'appareil est doté d'une pile de secours qui permet à l'horloge électronique de fonctionner dans le cas où le cordon d'alimentation CA est débranché ou de panne d'électricité. L'horloge continue de fonctionner intérieurement, mais sans affichage.

Vérifier l'état de la pile régulièrement en débranchant le cordon d'alimentation CA et en le rebranchant quelques minutes plus tard. L'horloge doit maintenir l'heure correcte, même quand l'alimentation est coupée. Après une panne d'électricité, si l'alimentation n'est pas rétablie pendant plus de 30 minutes, la pile doit être remplacée et l'heure réglée de nouveau.

Pour installer la pile :

- Ouvrir le compartiment de la pile et y insérer une pile de 9 V, de préférence alcaline. Vérifier son positionnement afin que la polarité soit alignée avec les marques (+) et (-) dans le compartiment.

Attention

L'utilisation incorrecte de la pile peut provoquer une fuite d'électrolyte et corroder le compartiment ou la pile. Pour éviter ce problème :

- N'utiliser que le type et la taille de la pile spécifiés dans ce manuel.
- Enlever la pile si l'appareil n'est pas utilisé pendant une période de temps prolongée.
- Ne pas essayer de recharger une pile qui n'est pas conçue pour cela. Elle pourrait surchauffer et exploser.

Fonctionnement du radio-réveil avec lecteur de CD

Mise en marche/arrêt de l'appareil

Pour utiliser le radio-réveil avec lecteur de CD :

- 1 Brancher le cordon d'alimentation CA sur une prise secteur CA standard.
- 2 Mettre l'interrupteur **AUTO/ON/OFF** (Automatique/Marche/Arrêt) sur **ON** (Marche).
- 3 Régler le niveau sonore avec la commande du **VOLUME**.
- 4 Éteindre l'appareil en mettant l'interrupteur **AUTO/ON/OFF** en position **OFF** (Arrêt).

Fonctionnement de la radio

Pour utiliser la radio :

- 1 Mettre l'interrupteur **AUTO/ON/OFF** (Automatique/Marche/Arrêt) sur **ON** (Marche).
- 2 Faire glisser le commutateur **FUNCTION** (Fonctions) sur **AM** ou **FM ST**.

- 3 Tourner le bouton **TUNING** (Syntonisation) sur la station d'écoute souhaitée.
 - Pour l'écoute FM, déployer l'antenne puis la réorienter pour obtenir la meilleure réception sonore.
 - Pour l'écoute AM, réorienter l'appareil pour obtenir la meilleure réception sonore (il est équipé d'une antenne intégrée).

Remarque

Si le sélecteur de BANDE est réglé sur FM ST lors de la syntonisation d'une station FM en stéréo, le témoin à DEL FM stéréo s'allume.

- 4 Pour éteindre la radio, faire glisser le commutateur **AUTO/ON/OFF** (Automatique/Marche/Arrêt) sur **OFF** (Arrêt).

Lecture de CD

Ce radio-réveil avec lecteur de CD peut lire des disques audio tels que les CD-R. Il n'est pas compatible avec les CD-ROM, CDI, VCD, DVD ou CD d'ordinateurs.

Remarque

- Si un disque est introduit incorrectement, s'il est sale ou endommagé, il ne sera pas lu.
- Pour éviter d'endommager le disque, ne jamais ouvrir le compartiment de CD pendant la lecture du disque.
- Ne jamais toucher la lentille au laser.
- L'appareil ne doit être utilisé que sur une surface stable.

Pour lire un CD :

- 1 Mettre l'interrupteur **AUTO/ON/OFF** (Automatique/Marche/Arrêt) sur **ON** (Marche).
- 2 Faire glisser le commutateur **FUNCTION** (Fonctions) sur **CD**.
- 3 Appuyer sur **OPEN/CLOSE** (Ouvrir/Fermer) sur le dessus de l'appareil pour ouvrir le compartiment de CD.
- 4 Placer un CD ou CD-R sur l'axe avec l'étiquette tournée vers le haut, puis fermer le compartiment.
- 5 Appuyer sur **PLAY/PAUSE** ►/|| (Lecture/Pause) pour commencer la lecture. Le témoin **PLAY/RAND** (Lecture/Aléatoire) s'allume.
 - Pour arrêter momentanément la lecture, appuyer sur **PLAY/PAUSE** ►/|| . Le témoin **PLAY/RAND** clignote.
 - Pour reprendre la lecture normale, appuyer de nouveau sur **PLAY/PAUSE** ►/|| .
- 6 Régler la commande du **VOLUME** à un niveau sonore confortable.
- 7 Appuyer sur **STOP** ■ (Arrêt) pour arrêter la lecture du CD.

Sélection d'une piste particulière

Pour sélectionner une autre piste sur un CD :

- 1 Pendant la lecture d'un CD, appuyer une fois sur **SKIP Up** ►► (Avance rapide) pour aller à la piste suivante ou de façon répétée jusqu'à ce que la lecture de la piste souhaitée commence.
- 2 Appuyer une fois sur **SKIP Down** ◄◄ (Retour rapide) pour revenir au début de la piste actuelle ou de façon répétée jusqu'à ce que la lecture de la piste précédente souhaitée commence.
- 3 Si une piste est sélectionnée pendant l'arrêt complet ou momentané d'un CD, appuyer sur **PLAY/PAUSE** ►/|| (Lecture/Pause) pour commencer la lecture.

Localisation d'un point particulier

Pour localiser un point particulier sur une piste :

- 1 Pendant la lecture du disque, maintenir appuyée **SKIP Up** ►► (Avance rapide) ou **SKIP Down** ◄◄ (Retour rapide). Le CD est lu à haute vitesse et à niveau sonore bas.
- 2 Quand le point particulier sur la piste est localisé, relâcher la touche et la lecture normale reprend.

Utilisation du mode Répétition

Pour répéter la lecture d'une seule piste en ce mode :

- 1 Appuyer une fois sur **REPEAT** (Répétition). Le témoin **REPEAT** clignote.
- 2 Appuyer sur **PLAY/PAUSE** ►/|| (Lecture/Pause) pour commencer la lecture, puis sur **SKIP Up** ►► (Avance rapide) ou **SKIP Down** ◄◄ (Retour rapide) pour sélectionner la piste à répéter. La piste sélectionnée sera répétée en continu.
- 3 Pour annuler le mode Répétition, appuyer deux fois sur **REPEAT**.
- 4 Appuyer sur **STOP** ■ (Arrêt) pour arrêter la lecture du CD.

Pour répéter la lecture du CD entier en mode Répétition :

- 1 Appuyer deux fois sur **REPEAT** (Répétition). Le témoin **REPEAT** s'allume.
- 2 Appuyer sur **PLAY/PAUSE** ►/|| (Lecture/Pause) pour commencer la lecture. Le CD entier est répété en continu.
- 3 Pour annuler le mode Répétition, appuyer deux fois sur **REPEAT**.
- 4 Appuyer sur **STOP** ■ (Arrêt) pour arrêter la lecture du CD.

Utilisation du mode de lecture aléatoire

Pour lire les pistes d'un CD en mode aléatoire :

- 1 Appuyer une fois sur **RANDOM** (Lecture aléatoire). Le CD commence la lecture aléatoire et le témoin **PLAY/RAND** (Lecture/Aléatoire) clignote.
- 2 Appuyer de nouveau sur **RANDOM** pour annuler le mode Aléatoire et retourner à la lecture normale. Le témoin **PLAY/RAND** s'allume.

Fonctionnement du radio-réveil

Pour régler l'heure du réveil :

- 1 Maintenir appuyée la touche **CLOCK SET** (Réglage de l'heure du réveil).
- 2 Appuyer plusieurs fois sur **HOUR** (Heure) jusqu'à ce que l'heure actuelle s'affiche à l'écran (ou maintenir la touche appuyée pour faire défiler les heures).

Remarque

Pendant le réglage de l'heure du réveil, vérifier que le témoin PM est activé quand l'heure est PM et désactivé quand l'heure est AM.

- 3 Appuyer plusieurs fois sur **MIN** (Minutes) jusqu'à ce que la minute actuelle s'affiche à l'écran (ou maintenir la touche appuyée pour faire défiler les minutes).
- 4 Quand l'heure correcte est affichée, relâcher la touche **CLOCK SET** (Réglage du réveil).

Pour régler l'alarme :

- 1 Maintenir appuyé **ALARM SET** (Réglage de l'alarme).
- 2 Appuyer plusieurs fois sur **HOUR** (Heure) jusqu'à ce que l'heure souhaitée s'affiche à l'écran (ou maintenir la touche appuyée pour faire défiler les heures).

Remarque

Pendant le réglage de l'alarme, vérifier que le témoin PM est activé quand l'heure souhaitée est PM et désactivé quand l'heure est AM.

- 3 Appuyer plusieurs fois sur **MIN** (Minutes) jusqu'à ce que la minute souhaitée s'affiche à l'écran (ou maintenir la touche appuyée pour faire défiler les minutes).
- 4 Quand l'heure correcte est affichée, relâcher **ALARM SET** (Réglage de l'alarme).

Pour régler l'alarme en mode sonnerie :

- 1 Régler l'alarme en se référant aux instructions "Pour régler l'alarme :." page 34.
- 2 Régler le commutateur **AUTO/OFF/ON** (Automatique/Arrêt/Marche) sur **AUTO**, puis **BUZZER/MUSIC** (Sonnerie/Musique) sur **BUZZER** (Sonnerie).
Quand l'alarme se déclenche, la sonnerie retentit (jusqu'à 120 minutes).
- 3 Pour arrêter l'alarme, faire glisser l'interrupteur **AUTO/ON/OFF** sur **OFF** (Arrêt).

Pour régler l'alarme en mode de réveil radio :

- 1 Régler l'alarme en se référant aux instructions "Pour régler l'alarme :." page 34.
- 2 Régler le commutateur **FUNCTION** (Fonctions) sur **AM** ou **FM ST**, puis syntoniser la station de radio souhaitée.
- 3 Tourner la commande du **VOLUME** pour le régler à un niveau confortable.
- 4 Régler l'interrupteur **AUTO/OFF/ON** (Automatique/Arrêt/Marche) sur **AUTO**, puis **BUZZER/MUSIC** (Sonnerie/Musique) sur **MUSIC** (Musique).
- 5 Régler le commutateur **FUNCTION** (Fonctions) sur **AM** ou **FM ST**. Quand l'alarme se déclenche, la radio joue la station sélectionnée (jusqu'à 120 minutes).
- 6 Pour arrêter l'alarme, faire glisser l'interrupteur **AUTO/ON/OFF** sur **OFF** (Arrêt).

Pour régler l'alarme en mode de réveil CD :

- 1 Régler l'alarme en se référant aux instructions "Pour régler l'alarme :." page 34.
- 2 Régler le commutateur **FUNCTION** (Fonctions) sur **CD**, puis insérer un disque dans le compartiment du CD.
- 3 Tourner la commande du **VOLUME** pour le régler à un niveau confortable.
- 4 Régler l'interrupteur **AUTO/OFF/ON** (Automatique/Arrêt/Marche) sur **AUTO**, puis **BUZZER/MUSIC** (Sonnerie/Musique) sur **MUSIC** (Musique).
- 5 Régler le commutateur **FUNCTION** (Fonctions) sur **CD**. Quand l'alarme se déclenche, la lecture du CD commence (jusqu'à 120 minutes).
- 6 Pour arrêter l'alarme, faire glisser l'interrupteur **AUTO/ON/OFF** sur **OFF** (Arrêt).

Pour utiliser le RAPPEL D'ALARME :

- Pour arrêter l'alarme momentanément (pendant neuf minutes), appuyer sur **SNOOZE** (Rappel d'alarme) sur le dessus de l'appareil.

Pour régler l'ARRÊT DIFFÉRÉ :

- 1 Régler l'interrupteur **AUTO/OFF/ON** (Automatique/Arrêt/Marche) sur **AUTO**.
- 2 Appuyer sur **SLEEP** (Arrêt différé). L'appareil se met en marche pendant 59 minutes, « 59 » s'affiche à l'écran et le témoin **SLEEP** (Arrêt différé) s'allume.
- 3 Pour régler la durée de l'arrêt différé, maintenir appuyé **SLEEP**, puis appuyer sur **HOURL** (Heure) ou **MINUTE** pour sélectionner l'heure souhaitée (la durée maximale d'arrêt différé est de 1 heure et 59 minutes).
- 4 Appuyer sur **SNOOZE** (Rappel d'alarme) pour annuler le mode d'arrêt différé et éteindre l'appareil.

Problèmes et solutions

En cas de défaillance de l'appareil, consulter le tableau ci-dessous avant d'appeler un réparateur.

| Problème | Cause éventuelle | Solution |
|----------------------------------|---|---|
| Absence de son ou d'alimentation | Le volume est réglé à un niveau trop faible. | Augmenter le volume. |
| | Le cordon d'alimentation CA n'est pas fermement connecté. | Connecter le cordon d'alimentation CA. |
| Le CD n'est pas lu | Le CD n'a pas été inséré correctement. | Réinsérer le CD, étiquette tournée vers le haut. |
| | Le CD est défectueux. | Essayer un autre CD. |
| | Le couvercle du compartiment du CD n'est pas fermé. | Fermer le couvercle du compartiment du CD. |
| | De la condensation s'est formée dans le compartiment du CD. | Enlever le CD et laisser le couvercle ouvert dans un endroit sec pendant une heure environ. |

| Problème | Cause éventuelle | Solution |
|--|---|---|
| Des sautes de CD se produisent au cours de la lecture. | Le CD ou la lentille optique est sale. | Nettoyer ou remplacer le CD ou nettoyer la lentille de lecture. |
| | Fortes secousses ou vibrations. | Placer l'appareil sur une surface plane et stable sans vibration. |
| | Le lecteur de CD est programmé pour sauter d'une piste à l'autre. | Quitter le mode de programmation. |
| L'heure est réinitialisée à « 12:00 » | La pile est insérée incorrectement ou elle est morte. | Vérifier la pile. |
| | L'horloge n'est pas réglée. | Régler l'horloge. |
| L'alarme ne se déclenche pas. | Le commutateur FUNCTION (Fonctions) n'est pas réglé sur AUTO (Automatique). | Régler le commutateur FUNCTION sur AUTO . |
| | L'horloge n'est pas réglée. | Régler l'horloge. |
| | L'heure de l'alarme n'est pas réglée. | Régler l'heure de l'alarme. |
| Pas de son ou son médiocre sur la radio. | L'appareil n'est pas sous tension. | Appuyer sur POWER (Marche/ Arrêt) pour mettre l'appareil sous tension. |
| | La station n'est pas syntonisée correctement. | Syntoniser de nouveau la station. |
| | FM — L'antenne n'est pas réglée correctement. | Réorienter l'antenne FM pour obtenir une meilleure réception. |
| | AM — L'appareil est mal positionné pour obtenir une bonne réception. | Pivoter l'appareil pour obtenir une meilleure réception. |
| | Le volume est réglé à un niveau trop faible. | Augmenter le volume. |

Entretien du radio-réveil avec lecteur de CD

Nettoyage du boîtier

Avertissement

Pour éviter le risque d'incendie ou de choc électrique, débrancher le cordon d'alimentation CA avant de nettoyer l'appareil.

Essuyer avec un chiffon propre. Si le boîtier est très sale, humidifier le chiffon avec une solution diluée de détergent non caustique et d'eau.

Nettoyage de la lentille optique

Une lentille optique sale provoque des sautes de son et même l'arrêt du lecteur de CD.

Pour nettoyer la lentille optique de particules sèches et de poussières éventuelles :

- 1 Ouvrir le couvercle du CD.
- 2 En utilisant une brosse pneumatique pour lentille de camera, souffler plusieurs fois sur la lentille, puis essuyer délicatement avec la brosse pour enlever la poussière.
- 3 Souffler de nouveau pour éliminer les particules en suspension.

Pour nettoyer la lentille optique d'empreintes digitales :

- Si la lentille optique n'est toujours pas propre après le traitement à la brosse pneumatique, l'essuyer avec un chiffon propre et doux.

Nettoyage et entretien des CD

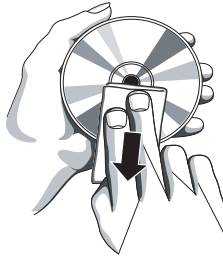
Attention

Ne pas utiliser des solvants comme le benzène, les diluants, les liquides de nettoyage commerciaux ou les vaporisateurs artistatiques conçus pour les disques en vinyle.

Observer les conseils suivants :

- Manier le disque avec soin. Tenir le disque uniquement par la périphérie. Ne jamais toucher avec les doigts le côté brillant non imprimé du disque.
- Ne pas apposer de ruban adhésif, ou d'autocollants, sur l'étiquette du CD.

- Nettoyer régulièrement le disque avec un chiffon sec, doux et non pelucheux. Ne jamais utiliser un détergent ou un nettoyant abrasif pour nettoyer le disque. Au besoin, utiliser une trousse de nettoyage de CD.
- Si le CD en lecture saute ou se coince sur une section du disque, c'est que le disque est vraisemblablement sale ou rayé.
- Pour nettoyer un disque, essuyer en ligne droite du centre vers le bord du disque. Ne jamais le nettoyer d'un mouvement circulaire.



• Cet appareil est conçu uniquement pour la lecture de disques identifiés par le logo illustré ci-contre. D'autres types de disques peuvent ne pas être en conformité avec la norme CD, et ne pas être lus correctement.

- Les disques doivent être placés dans leur boîtier après utilisation, pour éviter tout dommage.
- Ne pas exposer les disques à la lumière directe du soleil, une humidité élevée, de hautes températures ou la poussière. Une exposition prolongée à des températures extrêmes peut avoir pour effet de voiler le disque.
- Ne pas coller ni écrire quoi que ce soit sur l'un ou l'autre des côtés du disque. Des stylos pointus ou les encres utilisées peuvent endommager la surface.

Spécifications

| AUDIO | |
|------------------------------|--|
| Gamme de fréquence | AM : 530 à 1710 kHz FM : 88 à 108 MHz |
| Puissance de sortie : | 1 W x 2 |
| Section CD | Cellule optique : Semi-conducteur à laser (780 nm) |

| GÉNÉRALITÉS | |
|-------------------------|---|
| Alimentation | CA : 120 V, 60 Hz |
| Pile | 9 V CC (pile de secours pour l'horloge) |
| Taille du disque | 4,72 pouces (120 mm) CD deux titres de 3,15 pouces (80 mm) |

Avis juridiques

FCC article 15

Cet équipement a été testé et déclaré conforme aux limitations prévues pour les appareils numériques de la catégorie B, définies par l'article 15 du règlement de la FCC. Ces limites ont été établies pour fournir une protection raisonnable contre les interférences indésirables lors d'une installation résidentielle.

Cet équipement génère, utilise et diffuse des ondes radio et s'il n'est ni installé ni utilisé conformément aux instructions en vigueur, il peut provoquer des interférences indésirables avec les communications radio. Cependant, nous ne pouvons pas garantir qu'aucune interférence ne se produira pour une installation particulière.

Si cet équipement cause des interférences gênant la réception d'ondes radio ou télévisées (déterminé en éteignant et en rallumant l'équipement), il est recommandé que l'utilisateur tente de corriger le problème en appliquant au moins l'une des mesures suivantes :

- Réorienter ou déplacer l'antenne réceptrice.
- Augmenter la distance entre l'équipement et le récepteur.
- Brancher l'équipement sur la prise électrique d'un circuit différent de celui auquel le récepteur est relié.
- Contacter le revendeur ou un technicien radio/télévision qualifié pour toute assistance.

Droits d'auteurs

© 2006 Insignia. Insignia et le logo Insignia sont des marques de commerce de Best Buy Enterprise Services, Inc. Les autres noms de marques et de produits mentionnés sont des marques de commerce ou des marques déposées de leurs propriétaires respectifs. Les spécifications et caractéristiques sont susceptibles d'être modifiées sans préavis.

Pour assistance technique, appeler le (877) 467-4289.

Garantie

Garantie limitée de 90 jours

Insignia Products ("Insignia") garantit au premier acheteur de ce Insignia NS-C2116 Radio-réveil avec lecteur de CD neuf ("Produit"), qu'il est exempt de vices de fabrication et de main-d'œuvre à l'origine, pour une période de 90 jours à partir de la date d'achat du Produit ("Période de garantie"). Ce produit doit avoir été acheté chez un revendeur agréé des produits de la marque Insignia et emballé avec cette déclaration de garantie. Cette garantie ne couvre pas les Produits remis à neuf. Les conditions de la présente garantie s'appliquent à tout Produit pour lequel Insignia est notifié, pendant la Période de garantie, d'un vice couvert par cette garantie qui nécessite une réparation.

Quelle est la durée de la couverture ?

La Période de garantie dure 90 jours à compter de la date d'achat de ce Produit. La date d'achat est imprimée sur le reçu fourni avec le Produit.

Que couvre cette garantie ?

Pendant la Période de garantie, si un vice de matériau ou de main-d'œuvre d'origine est détecté sur le Produit par un service de réparation agréé par Insignia ou le personnel du magasin, Insignia (à sa seule discrétion) : (1) réparera le Produit en utilisant des pièces détachées neuves ou remises à neuf ; ou (2) remplacera le Produit par un produit ou des pièces neuves ou remises à neuf de qualité comparable. Les produits et pièces remplacés au titre de cette garantie deviennent la propriété d'Insignia et ne sont pas retournés à l'acheteur. Si les Produits ou pièces nécessitent une réparation après l'expiration de la Période de garantie, l'acheteur devra payer tous les frais de main d'œuvre et les pièces. Cette garantie reste en vigueur tant que l'acheteur reste propriétaire du Produit Insignia pendant la Période de garantie. La garantie prend fin si le Produit est revendu ou transféré d'une quelconque façon que ce soit à tout autre propriétaire.

Comment obtenir une réparation sous garantie ?

Si le Produit a été acheté chez un détaillant, le rapporter accompagné du reçu original chez ce détaillant. S'assurer de remettre le Produit dans son emballage d'origine ou dans un emballage qui procure la même qualité de protection que celui d'origine. Si le Produit a été acheté en ligne, l'expédier accompagné du reçu original à l'adresse indiquée sur le site Web. S'assurer de remettre le Produit dans son emballage d'origine ou dans un emballage qui procure la même qualité de protection que celui d'origine.

Où cette garantie s'applique-t-elle ?

Cette garantie ne s'applique qu'à l'acheteur original du Produit aux États-Unis et au Canada.

Ce qui n'est pas couvert par cette garantie limitée

La présente garantie ne couvre pas :

- la formation du client ;
- l'installation ;
- les réglages de configuration ;
- les dommages esthétiques ;
- les dommages résultants de catastrophes naturelles telles que la foudre ;
- les accidents ;
- une utilisation inadaptée ;
- une manipulation abusive ;
- la négligence ;
- une utilisation commerciale ;
- la modification de tout ou partie du Produit, y compris l'antenne.

La présente garantie ne couvre pas non plus :

- les dommages ayant pour origine une utilisation ou une maintenance défectueuse ;
- la connexion à une source électrique dont la tension est inadéquate ;
- Toute réparation effectuée par quiconque autre qu'un service de réparation agréé par Insignia pour la réparation du Produit
- les Produits vendus en l'état ou hors service ;
- les consommables tels que les fusibles ou les piles ;
- les produits dont le numéro de série usine a été altéré ou enlevé du Produit.

LA RÉPARATION OU LE REMPLACEMENT, TELS QU'OFFERTS PAR LA PRÉSENTE GARANTIE, CONSTITUENT LE SEUL RECOURS DE L'ACHETEUR. INSIGNIA NE SAURAIT ÊTRE TENU POUR RESPONSABLE DE DOMMAGES ACCESSOIRES OU CONSÉCUTIFS, RÉSULTANT DE L'INEXÉCUTION D'UNE GARANTIE EXPRESSE OU IMPLICITE SUR CE PRODUIT, Y COMPRIS, SANS S'Y LIMITER, LA PERTE DE DONNÉES, L'IMPOSSIBILITÉ D'UTILISER LE PRODUIT, L'INTERRUPTION D'ACTIVITÉ OU LA PERTE DE PROFITS. INSIGNIA PRODUCTS N'OCTROIE AUCUNE AUTRE GARANTIE EXPRESSE RELATIVE À CE PRODUIT ; TOUTES LES GARANTIES EXPRESSES OU IMPLICITES POUR CE PRODUIT, Y COMPRIS MAIS SANS LIMITATION, TOUTE GARANTIE DE QUALITÉ MARCHANDE, D'ADÉQUATION À UN BUT PARTICULIER, SONT LIMITÉES À LA PÉRIODE DE GARANTIE APPLICABLE TELLE QUE DÉCRITE CI-DESSUS ET AUCUNE GARANTIE EXPRESSE OU IMPLICITE, NE S'APPLIQUERONT APRÈS LA PÉRIODE DE GARANTIE. CERTAINS ÉTATS ET PROVINCES NE RECONNAISSENT PAS LES LIMITATIONS DE LA DURÉE DE VALIDITÉ DES GARANTIES IMPLICITES. PAR CONSÉQUENT, LES LIMITATIONS SUSMENTIONNÉES PEUVENT NE PAS S'APPLIQUER À L'ACHETEUR ORIGINAL. LA PRÉSENTE GARANTIE DONNE À L'ACHETEUR DES GARANTIES JURIDIQUES SPÉCIFIQUES ; IL PEUT AUSSI BÉNÉFICIER D'AUTRES GARANTIES QUI VARIENT D'UN ÉTAT OU D'UNE PROVINCE À L'AUTRE.

NS-C2116 de Insignia

Radio reloj con reproductor de CD

Contenido

| | |
|---|----|
| Bienvenido | 43 |
| Información de seguridad | 43 |
| Características | 49 |
| Configuración de la radio reloj con reproductor de CD | 51 |
| Uso de la radio reloj con reproductor de CD | 52 |
| Localización y corrección de fallas | 58 |
| Mantenimiento de la radio reloj con reproductor de CD | 59 |
| Especificaciones | 61 |
| Avisos legales | 61 |
| Garantía | 63 |

Bienvenido

Felicitaciones por su compra de un producto de alta calidad de Insignia. Su NS-C2116 representa el más moderno diseño de radio reloj con reproductor de CD y está concebido para brindar un rendimiento seguro y sin problemas.

Información de seguridad

Para evitar el peligro de incendio o choque eléctrico, no use este enchufe, cable de extensión, conector hembra ni otro tipo de tomacorriente, a menos que las clavijas puedan insertarse completamente para evitar su exposición. Para reducir el riesgo de incendio o choque eléctrico, no se debe exponer este aparato a la lluvia o humedad.

| | | |
|--|---|---|
|  | CAUTION RISK OF ELECTRIC SHOCK DO NOT OPEN |  |
| <p>CUIDADO: Para evitar el riesgo de choque eléctrico, no retire la cubierta (o parte posterior). En su interior hay piezas que no debe manipular el usuario. Para realizar reparaciones, acuda al personal de servicio calificado.</p> | | |



La figura de relámpago que termina en punta de flecha dentro de un triángulo tiene por finalidad alertarle de la presencia de voltaje peligroso sin aislamiento en el interior de la radio reloj con reproductor de CD que podría tener potencia suficiente para constituir un riesgo de choque eléctrico para las personas.



El signo de admiración dentro de un triángulo tiene por finalidad alertarle de la presencia de instrucciones importantes de operación y mantenimiento (servicio) en la literatura que se incluye con la radio reloj con reproductor de CD.



PELIGRO: Radiación de láser invisible y peligrosa cuando la caja está abierta y han fallado o se han desactivado los seguros. Evite la exposición directa a los rayos láser.

**Advertencia**

El reproductor de CD utiliza un sistema láser. Siga todas las instrucciones de operación contenidas en esta guía y guarde la guía para su consulta posterior. Si el reproductor de CD requiere reparación, contacte al vendedor o a nuestro centro de servicio.

Para prevenir la exposición directa a la radiación láser, no abra la caja. Existe radiación de láser invisible cuando la caja está abierta o los seguros estén desactivados. No mire directamente a los rayos láser.

El uso de cualquier otro control, ajuste o procedimiento distinto a los especificados en este manual puede resultar en una exposición peligrosa a la radiación.

**Precaución**

Protectores contra sobretensión: Se recomienda usar un protector contra sobretensión para la conexión de CA. Los daños causados por relámpagos y sobretensión NO están cubiertos por la garantía de este producto.

Cuidado:

Su radio reloj con reproductor de CD no debe de exponerse al agua (goteo o salpicaduras) y ningún objeto lleno de líquido deberá colocarse sobre él.

Medidas de seguridad importantes

- **Lea las instrucciones** – Lea todas las instrucciones de seguridad y operación antes de usar la radio reloj con reproductor de CD.
- **Guarde las instrucciones** – Guarde las instrucciones de seguridad y operación para referencia futura.
- **Siga las advertencias** – Preste atención a todas las advertencias en su radio reloj con reproductor de CD y en las instrucciones de operación.
- **Siga las instrucciones** – Siga todas las instrucciones de operación y uso.
- **Limpieza** – Desconecte la radio reloj con reproductor de CD del tomacorriente antes de limpiarla. No use productos de limpieza líquidos o en aerosol. Use un paño húmedo para limpiarla.

Excepción: En aquellos productos diseñados para un servicio ininterrumpido y que, por alguna razón específica como la posibilidad de pérdida del código de autorización del convertidor CATV, no admiten que el usuario los desconecte para limpiarlos o por alguna otra razón, no es necesario seguir la indicación de desconectar la radio reloj con reproductor de CD en la descripción de limpieza que de lo contrario se considera necesaria en esta instrucción.

- **Accesorios** – No use accesorios que no hayan sido recomendados por el fabricante de la radio reloj con reproductor de CD ya que podrían causar problemas peligrosos.
- **Agua y humedad** – No use la radio reloj con reproductor de CD cerca del agua; por ejemplo, cerca de una bañera, lavabo, fregadero de cocina, o lavadero; en un sótano mojado o cerca de una piscina.
- **Accesorios** – No coloque la radio reloj con reproductor de CD en un carrito, base, trípode, soporte, o mesa inestable. Si lo hace, podría caerse y causar lesiones graves a alguna persona además de sufrir serios daños. Utilice solamente con carros, bases, trípodes, soportes, o mesas especificadas por el fabricante o que se vendan con la radio reloj con reproductor de CD.

Si va a montar la radio reloj con reproductor de CD, siga las instrucciones del fabricante y use un accesorio de montaje recomendado por el fabricante. Mueva el conjunto de la radio reloj con reproductor de CD y el carro con cuidado. Las paradas repentinas, la fuerza excesiva y las superficies irregulares pueden hacer que la radio reloj con reproductor de CD y el carro se volteen de lado.



- **Ventilación** – Las ranuras y aberturas en el gabinete en y en la parte posterior o inferior se proporcionan para ventilación, para asegurar la operación segura de la radio reloj con reproductor de CD y para protegerla del sobrecalentamiento. No bloquee las aberturas. No coloque la radio reloj con reproductor de CD en una cama, un sofá, una alfombra u otra superficie similar. La radio reloj con reproductor de CD nunca se debe colocar cerca o sobre un radiador o una rejilla de aire caliente. No coloque la radio reloj con reproductor de CD en una instalación empotrada, tal como una librería o estantería, a menos que se proporcione la correcta ventilación o se hayan seguido las instrucciones del fabricante.
- **Fuentes de alimentación eléctrica** – Use sólo el tipo de alimentación eléctrica indicado en la etiqueta de marca. Si no está seguro de qué tipo de electricidad se utiliza en su casa, pregunte al vendedor de la radio reloj con reproductor de CD o a la compañía eléctrica local. Para radios reloj con reproductor de CD diseñadas para funcionar con pilas o con otras fuentes de alimentación, consulte las instrucciones de operación respectivas.
- **Conexión a tierra o polarización** – La radio reloj con reproductor de CD está equipada con un enchufe polarizado de corriente alterna (un enchufe que tiene una clavija más ancha que la otra). Este enchufe se conecta en el tomacorriente de una sola forma. Ésta es una característica de seguridad. Si no puede insertar completamente el enchufe en el tomacorriente, pruebe dando la vuelta al enchufe. Si el enchufe sigue sin entrar, contacte a su electricista para que reemplace el tomacorriente obsoleto. No rechace la función de seguridad del enchufe polarizado.
- **Protección del cable de alimentación** – Coloque los cables de alimentación eléctrica de tal forma que no se pisen o queden aplastados por objetos colocados contra ellos; preste atención especial a los cables conectados a tomacorrientes y al lugar de donde salen de la radio reloj con reproductor de CD.
- **Relámpagos** – Para protección adicional de la radio reloj con reproductor de CD durante tormentas eléctricas, o cuando no se vaya a utilizar durante largos períodos de tiempo, desenchúfela del tomacorriente y desconecte la antena o el sistema de cable. Esto evitará que la radio reloj con reproductor de CD sufra daños debido a sobretensión eléctrica o a rayos.
- **Líneas de alimentación** – Un sistema de antena externa no debe ubicarse en las inmediaciones de líneas de corriente aéreas u otros circuitos de luz eléctrica o de energía, o donde pueda caer sobre dichos circuitos o líneas de corriente. Cuando instale un sistema de antena exterior, no toque los circuitos o las líneas de alimentación ya que el contacto con ellos puede ser fatal.
- **Sobrecarga** – No sobrecargue los tomacorrientes ni los cables de extensión ya que esto podría resultar en riesgo de incendio o choque eléctrico.

- **Introducción de objetos y líquidos** – Nunca inserte objetos de ningún tipo en la radio reloj con reproductor de CD a través de las aberturas, ya que podrían tocar puntos de voltaje peligrosos o hacer cortocircuito con otros componentes que podrían resultar en incendio o choque eléctrico. Nunca derrame líquidos de ninguna clase sobre la radio reloj con reproductor de CD.
- **Reparación** – No trate de reparar la radio reloj con reproductor de CD usted mismo, ya que abrir o quitar las cubiertas puede exponerle a voltajes peligrosos o a otros peligros. Encomiende todas las reparaciones a personal de servicio calificado.
- **Daños que requieren reparación** – Desconecte la radio reloj con reproductor de CD del tomacorriente y refiera la reparación a personal de servicio calificado en los siguientes casos:
 - Cuando el cable de alimentación o el enchufe se dañe o se pele.
 - Si se ha derramado líquido o han caído objetos dentro de la radio reloj con reproductor de CD.
 - Si la radio reloj con reproductor de CD ha estado expuesta a la lluvia o al agua.
 - Si la radio reloj con reproductor de CD no funciona normalmente siguiendo las instrucciones de operación. Límitese a ajustar los controles descritos en las instrucciones de operación, ya que la radio reloj con reproductor de CD puede dañarse si se ajustan incorrectamente otros controles, siendo frecuentemente necesario que un técnico calificado realice un gran cantidad de trabajo para que vuelva a funcionar normalmente.
 - Si la radio reloj con reproductor de CD se ha caído o dañado de cualquier forma.
 - Cuando la radio reloj con reproductor de CD muestre un cambio evidente en el funcionamiento – esto indica que necesita reparación.
- **Piezas de repuesto** – Cuando se necesiten repuestos, asegúrese de que el técnico de reparación use repuestos especificados por el fabricante o que tengan las mismas características que la parte original. Las substituciones no autorizadas pueden resultar en incendio, choque eléctrico, lesiones a personas u otros peligros.
- **Verificación de seguridad** – Después de completar la reparación de la radio reloj con reproductor de CD, pídale al técnico de servicio que realice verificaciones de seguridad rutinarias para determinar que se encuentra en buen estado de operación.

- **Calor** – No instale la grabadora cerca de fuentes de calor tales como radiadores, rejillas de aire caliente u otros productos (incluyendo amplificadores) que produzcan calor.

Cuidado

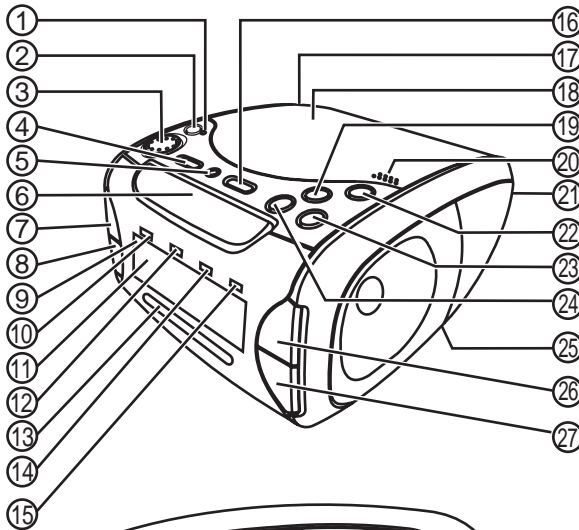
Para evitar un choque eléctrico haga corresponder la clavija ancha del enchufe con la ranura ancha del tomacorriente e inserte el enchufe completamente.

Nota

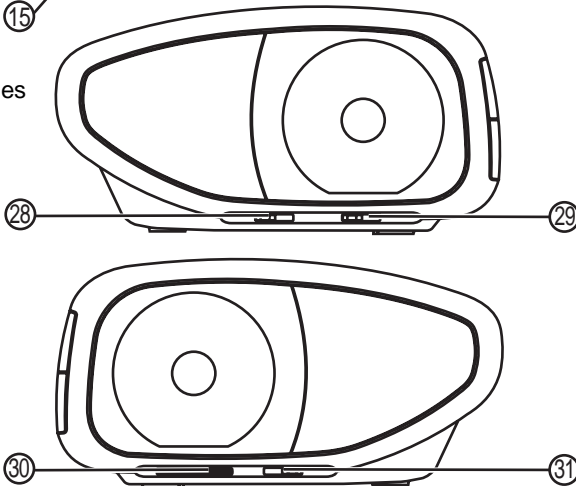
Las pilas no deben tirarse o incinerarse, sino descartarse de acuerdo con las normativas locales concernientes a desechos químicos.

Características

Vista frontal y superior



Laterales



| # | Descripción | Función |
|---|---------------------------|--|
| 1 | LED de apagado automático | Luces que indican que el modo de apagado automático está activado. |
| 2 | Botón APAGADO AUTOMÁTICO | Presione para activar el modo de apagado automático. |
| 3 | Control VOLUMEN | Gire para subir y bajar el volumen. |

| # | Descripción | Función |
|----|--|---|
| 4 | Botón HORA | Presione para programar la hora. |
| 5 | Botón AJUSTE DEL RELOJ | Presione para activar la función de ajuste del reloj. |
| 6 | Botón REPETICIÓN DE ALARMA | Presione para apagar la alarma durante nueve minutos. |
| 7 | Botón SALTAR HACIA DELANTE ►► | Presione para saltar a la siguiente pista en un CD. |
| 8 | Botón SALTAR HACIA ATRÁS ◄◄ | Presione para saltar a la pista anterior en un CD. |
| 9 | Indicador PM | Se ilumina para indicar horas PM. |
| 10 | Indicador FM ESTÉREO | Se ilumina para indicar un canal de FM estereofónica. |
| 11 | Pantalla | Muestra información sobre la radio o CD. |
| 12 | Indicador REPETIR | Se ilumina para indicar que el reproductor está en modo de repetición. |
| 13 | Escala circular de AM/FM y aguja | Muestra las frecuencias de AM y FM para la sintonización de la radio. |
| 14 | Indicador REPRODUCIR/ ALEATORIO | Muestra el modo actual (Reproducir o Aleatorio). |
| 15 | Indicador de ENCENDIDO/ APAGADO | Se ilumina para indicar que la radio reloj con reproductor de CD está encendida. |
| 16 | Botón MINUTOS | Presione para ajustar los minutos. |
| 17 | Cable de CA (en la parte posterior) | El cable de corriente alterna. |
| 18 | Compartimiento de CD | Coloque el CD en este compartimiento para su reproducción. |
| 19 | Botón REPRODUCCIÓN ALEATORIA | Presione para reproducir un CD en modo aleatorio. |
| 20 | Botón de contacto ABRIR/ CERRAR CD | Presione este botón de contacto para abrir o cerrar el compartimiento de CD. |
| 21 | Antena de FM | Mejora la recepción de las estaciones de FM. |
| 22 | Botón ATENUACIÓN | Presione hacia dentro para aumentar el brillo de la pantalla o presione hacia fuera para oscurecer la pantalla. |
| 23 | Botón REPETIR | Presione para repetir una pista del CD o todo el CD. |
| 24 | Botón AJUSTAR ALARMA | Presione para programar la hora de la alarma del despertador. |
| 25 | Compartimiento de las pilas (en la parte inferior) | Abra para insertar las pilas. |

| # | Descripción | Función |
|----|---|--|
| 26 | Botón REPRODUCIR/PAUSA ▶/ | Presione una vez para reproducir un CD, presione de nuevo para detener momentáneamente el CD, y presione otra vez para reanudar la reproducción. |
| 27 | Botón DETENER ■ | Presione para detener la reproducción. |
| 28 | Conmutador TIMBRE/MÚSICA | Alterna entre el modo de despertador con timbre y el modo de despertador con música. |
| 29 | Conmutador AUTOMÁTICO/ APAGADO/ENCENDIDO | Enciende y apaga la radio reloj con reproductor de CD, y la programa para que se encienda con la alarma del despertador. |
| 30 | Selector SINTONIZACIÓN | Gire para sintonizar la estación de radio deseada. |
| 31 | Selector FUNCIÓN | Presione para seleccionar la fuente de sonido — AM, FM ST o CD. |

Configuración de la radio reloj con reproductor de CD

Uso de la alimentación de CA

Para usar la alimentación de CA:

- 1 Asegúrese de que el voltaje de su fuente de alimentación de CA local sea el mismo que el indicado en la placa situada en el interior del compartimiento de las pilas (120 V 60 Hz). Si no lo es, consulte con su vendedor o centro de servicio.
- 2 Conecte el cable de alimentación al conector de CA en la radio reloj con reproductor de CD y luego enchúfelo en el tomacorriente de CA.
- 3 Para apagar completamente la radio reloj con reproductor de CD, desenchufe el cable de alimentación del tomacorriente de CA.

Cuidado

Para proteger la radio reloj con reproductor de CD durante las tormentas eléctricas fuertes, desenchufe el cable de alimentación del tomacorriente de CA.

Uso de la batería de respaldo

La radio reloj con reproductor de CD cuenta con una función de batería de respaldo que garantiza el funcionamiento del reloj electrónico cuando el cable de alimentación de CA se desconecta o hay un corte de corriente. El reloj opera internamente sin que aparezca ninguna señal en pantalla.

Compruebe periódicamente el estado de la pila; para ello, desconecte el cable de alimentación de CA y vuelva a conectarlo unos minutos más tarde. El reloj deberá mantener la hora correcta incluso cuando se interrumpe la alimentación. Durante un corte de electricidad, si ésta no se restaura antes de 30 minutos, la pila debe cambiarse y la hora reajustarse.

Para instalar las pilas:

- Abra el compartimiento de las pilas e inserte una pila de 9V, a ser posible alcalina. Asegúrese de hacer coincidir la polaridad indicada por las marcas “+” y “-” en los bornes de la pila y en el compartimiento.

Cuidado

El uso incorrecto de las pilas puede provocar una fuga electrolítica y corroer el compartimiento o las propias pilas. Para evitar que esto ocurra:

- Use sólo una pila del tamaño y tipo especificados en esta guía.
- Saque la pila si la radio reloj con reproductor de CD no se va a usar durante un largo período de tiempo.
- No intente recargar una pila no recargable. La pila puede sobrecalentarse y explotar.

Uso de la radio reloj con reproductor de CD

Cómo encender y apagar la radio reloj con reproductor de CD

Para utilizar la radio reloj con reproductor de CD:

- 1 Enchufe el cable de alimentación de CA en un tomacorriente de CA estándar.
- 2 Deslice el conmutador **AUTO/ON/OFF** (Automático/Encendido/Apagado) a la posición **ON**.
- 3 Ajuste el nivel de sonido con el control **VOLUME** (Volumen)
- 4 Apague la radio reloj con reproductor de CD deslizando el conmutador **AUTO/ON/OFF** a la posición **OFF**.

Cómo escuchar la radio

Para usar la radio:

- 1 Deslice el conmutador **AUTO/ON/OFF** (Automático/Encendido/Apagado) a la posición **ON**.
- 2 Deslice el conmutador **FUNCTION** (Función) a la posición **AM** o **FM ST** (FM Estéreo).

- 3 Gire el selector **TUNING** (Sintonización) a la estación deseada.
 - Para escuchar FM, extienda la antena y ajústela hasta encontrar la mejor señal.
 - Para escuchar AM, gire la radio reloj con reproductor de CD hasta encontrar la mejor señal (tiene una antena incorporada).

Nota

Si el selector BAND está ajustado en FM ST, al sintonizar una estación de FM estereofónica, el LED de FM estereofónica se ilumina.

- 4 Para apagar la radio, deslice el conmutador **AUTO/ON/OFF** a la posición **OFF**.

Reproducción de discos CD

La radio reloj con reproductor de CD puede reproducir discos de audio, tal como CD-R. La radio reloj con reproductor de CD no es compatible con CD-ROM, CDI, VCD, DVD o discos CD de PC.

Nota

- Si un disco se inserta incorrectamente o está sucio o dañado, no se reproducirá.
- Para no dañar un disco, no abra nunca el compartimiento de CD mientras el disco está girando.
- Nunca toque el lente del láser.
- La radio reloj con reproductor de CD se debe usar únicamente sobre una superficie estable.

Para reproducir un CD:

- 1 Deslice el conmutador **AUTO/ON/OFF** (Automático/Encendido/ Apagado) a la posición **ON**.
- 2 Deslice el interruptor **FUNCTION** (Función) a la posición **CD**.
- 3 Abra el compartimiento de CD presionando el botón **OPEN/ CLOSE** (Abrir/Cerrar) en la parte superior de la radio reloj con reproductor de CD.
- 4 Inserte un disco CD o CD-R, con la etiqueta hacia arriba, en el eje central, y luego cierre el compartimiento de CD.
- 5 Presione el botón **PLAY/PAUSE** ►/|| (Reproducir/Pausa) para comenzar la reproducción. El indicador **PLAY/RAND** (Reproducir/Aleatorio) se ilumina.
 - Para detener momentáneamente la reproducción, presione el botón **PLAY/PAUSE** ►/||. El indicador **PLAY/RAND** parpadea.
 - Para reanudar la reproducción, presione el botón **PLAY/ PAUSE** ►/|| otra vez.
- 6 Ajuste el control **VOLUME** (Volumen) a un nivel de sonido cómodo.
- 7 Presione el botón **STOP** ■ (Detener) para detener la reproducción del CD.

Selección de una pista diferente

Para seleccionar una pista diferente en un CD:

- 1 Mientras el CD se está reproduciendo, presione una vez el botón **SKIP Up** ►► (Saltar hacia delante) para saltar a la pista siguiente o presione repetidamente hasta que la reproducción de la pista deseada comience.
- 2 Presione una vez el botón **SKIP Down** ◄◄ (Saltar hacia atrás) para regresar al principio de la pista actual o, si desea retroceder a una pista anterior, presione este botón repetidamente hasta que la reproducción de la pista deseada comience.
- 3 Si seleccionó una pista con el CD parado o en pausa, presione **PLAY/PAUSE** ►/|| (Reproducir/Pausa) para empezar la reproducción.

Localización de un pasaje específico

Para localizar un pasaje específico en una pista:

- 1 Mientras el CD se está reproduciendo, presione y mantenga presionado el botón **SKIP Up** ►► (Saltar hacia delante) o **SKIP Down** ◄◄ (Saltar hacia atrás). El CD se reproduce a alta velocidad y bajo volumen.
- 2 Al llegar al pasaje deseado, suelte el botón y se reanuda la reproducción normal.

Uso del modo de repetición

Para usar el modo de repetición con el objeto de repetir una sola pista:

- 1 Presione el botón **REPEAT** (Repetir) una vez. El indicador **REPEAT** parpadea.
- 2 Presione el botón **PLAY/PAUSE** ►/|| (Reproducir/Pausa) para empezar la reproducción y luego presione el botón **SKIP Up** ►► (Saltar hacia delante) o **SKIP Down** ◄◄ (Saltar hacia atrás) para seleccionar la pista que desea repetir. La pista que seleccione se repetirá una y otra vez.
- 3 Para cancelar el modo de repetición, presione el botón **REPEAT** dos veces.
- 4 Presione el botón **STOP** ■ (Detener) para detener la reproducción del CD.

Para usar el modo de repetición con el objeto de repetir un CD entero:

- 1 Presione el botón **REPEAT** dos veces. El indicador **REPEAT** se enciende.
- 2 Presione el botón **PLAY/PAUSE** ►/|| para comenzar la reproducción. El CD entero se repite una y otra vez.
- 3 Para cancelar el modo de repetición, presione el botón **REPEAT** dos veces.
- 4 Presione el botón **STOP** ■ para detener la reproducción del CD.

Uso del modo de reproducción aleatoria

Para reproducir aleatoriamente las pistas en un CD:

- 1 Presione el botón **RANDOM** (Aleatorio) una vez. El CD empieza a reproducirse aleatoriamente y el indicador **PLAY/RAND** (Reproducir/Aleatorio) parpadea.
- 2 Presione el botón **RANDOM** de nuevo para cancelar el modo de reproducción aleatoria y regresar al modo de reproducción normal. El indicador **PLAY/RAND** se enciende.

Uso del reloj despertador

Para ajustar el reloj:

- 1 Presione y mantenga presionado el botón **CLOCK SET** (Ajuste del reloj)
- 2 Presione el botón **HOUR** (Hora) repetidamente hasta que la hora actual aparezca en la pantalla (o presione y mantenga presionado el botón para avanzar rápidamente por las horas).

Nota

Al ajustar la hora, asegúrese de que el indicador PM esté activado cuando la hora sea PM y desactivado cuando la hora sea AM.

- 3 Presione el botón **MIN** (Minutos) repetidamente hasta que los minutos actuales aparezcan en la pantalla (o presione y mantenga presionado el botón para avanzar rápidamente por los minutos).
- 4 Cuando aparezca la hora correcta en la pantalla, suelte el botón **CLOCK SET**.

Para ajustar la alarma:

- 1 Presione y mantenga presionado el botón **ALARM SET** (Ajuste de la alarma).
- 2 Presione el botón **HOURL** (Hora) repetidamente hasta que la hora correcta aparezca en la pantalla (o presione y mantenga presionado el botón para avanzar rápidamente por las horas).

Nota

Al ajustar la hora, asegúrese de que el indicador PM esté activado cuando la alarma se ajuste para PM y desactivado cuando la alarma se ajuste para AM.

- 3 Presione el botón **MIN** (Minutos) repetidamente hasta que los minutos correctos aparezcan en la pantalla (o presione y mantenga presionado el botón para avanzar rápidamente por los minutos).
- 4 Cuando aparezca la hora correcta en la pantalla, suelte el botón **ALARM SET**.

Para ajustar la alarma para despertarse con el timbre:

- 1 Ajuste la hora de la alarma siguiendo las instrucciones indicadas en "Para ajustar la alarma:" on la página 56.
- 2 Deslice el conmutador **AUTO/OFF/ON** (Automático/Apagado/Encendido) a la posición **AUTO** y luego ajuste el conmutador **BUZZER/MUSIC** (Timbre/Música) en **BUZZER**.

Al activarse la alarma, sonará el timbre (durante un máximo de 120 minutos).

- 3 Para desactivar la alarma, deslice el conmutador **AUTO/ON/OFF** a la posición **OFF**.

Para ajustar la alarma para despertarse con la radio:

- 1 Ajuste la hora de la alarma siguiendo las instrucciones indicadas en "Para ajustar la alarma:" on la página 56.
- 2 Deslice el conmutador **FUNCTION** (Función) a **AM** o **FM ST** (FM estéreo) y luego sintonice la radio a la estación que desea.
- 3 Encienda el selector **VOLUME** y (Volumen) y ajuste el volumen a un nivel de sonido cómodo.
- 4 Deslice el conmutador **AUTO/OFF/ON** a la posición **AUTO** y luego deslice el conmutador **BUZZER/MUSIC** a **MUSIC**.
- 5 Deslice el conmutador **FUNCTION** a **AM** o **FM ST**. Cuando la alarma se active, la radio se encenderá en la estación seleccionada (durante un máximo de 120 minutos).
- 6 Para desactivar la alarma, deslice el conmutador **AUTO/ON/OFF** a la posición **OFF**.

Para ajustar la alarma para despertarse con un CD:

- 1 Ajuste la hora de la alarma siguiendo las instrucciones indicadas en "Para ajustar la alarma:" on la página 56.
- 2 Deslice el conmutador **FUNCTION** (Función) a **CD** y luego inserte un CD en el compartimiento de CD.
- 3 Encienda el selector **VOLUME** (Volumen) y ajuste el volumen a un nivel de sonido cómodo.
- 4 Deslice el conmutador **AUTO/OFF/ON** (Automático/Apagado/Encendido) a la posición **AUTO** y luego deslice el conmutador **BUZZER/MUSIC** (Timbre/Música) a **MUSIC**.
- 5 Deslice el conmutador **FUNCTION** a **CD**. Al activarse la alarma, el CD se reproducirá (durante un máximo de 120 minutos).
- 6 Para desactivar la alarma, deslice el conmutador **AUTO/ON/OFF** a la posición **OFF**.

Para usar la función de repetición de la alarma:

- Para apagar temporalmente la alarma (durante nueve minutos), presione el botón **SNOOZE** (Repetición de alarma) en la parte superior de la radio reloj con reproductor de CD.

Para ajustar el temporizador de apagado automático:

- 1 Deslice el conmutador **AUTO/OFF/ON** (Automático/Apagado/Encendido) a la posición **AUTO**.
- 2 Presione el botón **SLEEP** (Apagado automático). Si la radio reloj con reproductor de CD se enciende durante 59 minutos, aparece "59" en la pantalla y el indicador **SLEEP** se ilumina.
- 3 Para ajustar el tiempo de apagado automático, presione y mantenga presionado el botón **SLEEP**, luego presione el botón **HOUR** (Hora) o **MINUTE** (Minutos) para ajustar el tiempo que desea (el tiempo máximo de apagado automático es 1 hora y 59 minutos).
- 4 Presione el botón **SNOOZE** (Repetición de alarma) para cancelar el modo de apagado automático y apagar la radio reloj con reproductor de CD.

Localización y corrección de fallas

Si tiene un problema con esta radio reloj con reproductor de CD, repase la tabla siguiente antes de llamar para solicitar servicio.

| Problema | Causa probable | Solución |
|---|--|---|
| No hay sonido o corriente | El volumen está demasiado bajo. | Suba el volumen. |
| | El cable de alimentación de CA no está bien conectado. | Conecte el cable de alimentación de CA. |
| No se puede reproducir el CD. | El CD se ha insertado incorrectamente. | Vuelva a insertar el CD con la etiqueta hacia arriba. |
| | El CD está defectuoso. | Pruebe con otro CD. |
| | No está cerrado el compartimiento del CD. | Cierre el compartimiento del CD. |
| | Hay condensación en el compartimiento del CD. | Saque el CD y deje la tapa abierta durante una hora en un ambiente seco. |
| El CD salta pistas durante la reproducción. | El CD o el lente están sucios. | Limpie o reemplace el CD o limpie el lente. |
| | Vibraciones o sacudidas fuertes. | Coloque la radio reloj con reproductor de CD sobre una superficie plana y estable que no vibre. |
| | El reproductor de CD está programado para saltarse una pista. | Salga del modo de programación. |
| La hora se reajusta a "12:00". | La pila no se ha insertado correctamente o está agotada. | Compruebe la pila |
| | El reloj no se ha ajustado. | Ajuste del reloj. |
| La alarma no se enciende. | El conmutador FUNCTION (Función) no está en AUTO (Automático). | Ajuste el conmutador FUNCTION en AUTO . |
| | El reloj no se ha ajustado. | Ajuste el reloj. |
| | La alarma no se ha ajustado. | Ajuste la hora de la alarma. |

| Problema | Causa probable | Solución |
|--|---|--|
| No hay sonido o el sonido es malo en la radio. | La radio no está encendida. | Presione el botón POWER (Encendido/Apagado) para encender la radio. |
| | No se ha sintonizado la estación correctamente. | Vuelva a sintonizar la estación. |
| | FM — La antena no está correctamente ajustada. | Ajuste la antena de FM para mejorar la recepción. |
| | AM — La radio reloj con reproductor de CD no está orientada de manera que se consiga una buena recepción. | Gire la radio reloj con reproductor de CD para mejorar la recepción. |
| | El volumen está demasiado bajo. | Suba el volumen. |

Mantenimiento de la radio reloj con reproductor de CD

Limpieza de la caja

Advertencia

Para evitar el riesgo de incendio o descarga eléctrica, desenchufe el conector de alimentación de CA antes de limpiar la radio reloj con reproductor de CD.

Limpie la caja con un paño suave. Si está muy sucia, humedezca el paño con una solución muy diluida de detergente no cáustico y agua.

Limpieza del lente

Un lente sucio puede provocar saltos e incluso hacer que el reproductor de CD deje de funcionar.

Para limpiar las partículas secas y polvo del lente:

- 1 Abra la cubierta del CD.
- 2 Usando una brocha y sopladora para lentes de cámara, soplar sobre el lente varias veces y luego limpiarlo cuidadosamente con la brocha para remover el polvo.
- 3 Soplar de nuevo para remover partículas sueltas.

Para limpiar huellas digitales del lente:

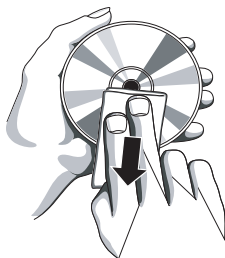
- Si el lente no se puede limpiar con la brocha y el soplador, límpielo con un paño suave de algodón.

Limpieza y cuidado de los CD**Cuidado**

No utilice solventes tal como benceno, diluyentes, limpiadores comerciales o aerosoles antiestáticos diseñados para discos de vinilo.

Tenga presente lo siguiente:

- Trate con cuidado el disco. Agarre el disco únicamente por los bordes. Los dedos no deben tocar nunca el lado brillante, sin texto impreso, del disco.
- No ponga cinta adhesiva ni calcomanías en la etiqueta del disco.
- Limpie el disco periódicamente, con un paño suave, seco y sin pelusas. Nunca use detergentes ni limpiadores abrasivos para limpiar el disco. Si fuera necesario, utilice un kit para limpieza de CD.
- Si el disco se salta pistas o se queda atascado en una sección, probablemente esté sucio o rayado.
- Cuando limpie un disco, debe hacerlo con movimientos en línea recta desde el centro al borde exterior del disco. Nunca lo limpie con movimientos circulares.



• La radio reloj con reproductor de CD está diseñada para reproducir únicamente discos que muestren el logotipo de identificación tal como se indica aquí. Puede que otros discos no cumplan con el estándar CD y no funcionen

correctamente.

- Los discos se deben guardar en sus cajas después de utilizarse para que no se dañen.
- No exponga los discos a la luz solar directa ni a humedad alta, temperaturas altas o polvo. La exposición prolongada a temperaturas extremas puede deformar el disco.

- No adhiera etiquetas ni escriba nada en ninguno de los lados del disco. Los instrumentos puntiagudos de escritura o la tinta pueden dañar la superficie.

Especificaciones

| AUDIO | |
|-------------------------------|---|
| Rango de frecuencia | AM: 530 ~ 1710 KHz FM: 88 ~ 108 MHz |
| Potencia de salida | 1 W x 2 |
| Sección de CD | Captación óptica: Láser semiconductor (780 nm) |
| GENERALES | |
| Fuente de alimentación | CA: 120 V CA a 60 Hz |
| Pila | 9 V CC (para respaldo del reloj) |
| Tamaño del disco | 4,72 pulgadas (120 mm) 3,15 pulgadas (80 mm) CD sencillo |

Avisos legales

FCC Parte 15

Este equipo ha sido sometido a pruebas y se ha determinado que satisface los límites establecidos para clasificarlo como dispositivo digital de Clase B de acuerdo con la Parte 15 del reglamento FCC. Estos límites se han establecido para proporcionar una protección razonable contra interferencias perjudiciales en una instalación residencial.

Este equipo genera, utiliza y puede irradiar energía de radiofrecuencia y, si no es instalado y utilizado de acuerdo a las instrucciones, puede causar interferencias perjudiciales en las comunicaciones de radio. Sin embargo, no se garantiza que no ocurrirá interferencia en una instalación particular.

Si el equipo causa interferencias perjudiciales en la recepción de la señal de radio o televisión, lo cual puede comprobarse encendiéndolo y apagándolo alternativamente, se recomienda al usuario corregir la interferencia mediante uno de los siguientes procedimientos:

- Cambie la orientación o la ubicación de la antena receptora.
- Aumente la distancia entre el equipo y el receptor.
- Conecte el equipo a un tomacorriente de un circuito distinto de aquél al que está conectado el receptor.
- Solicitar consejo al distribuidor o a un técnico experto en radio/TV para obtener ayuda.

Derechos de reproducción

© 2006 Insignia. Insignia y el logotipo de Insignia son marcas de comercio de Best Buy Enterprise Services, Inc. Otras marcas y nombres de productos son marcas comerciales o marcas registradas de sus dueños respectivos. Las especificaciones y características están sujetas a cambio sin aviso previo u obligación.

Para reparación y soporte, llame al (877) 467-4289.

Garantía

Garantía limitada de 90 días

Insignia Products ("Insignia") le garantiza a usted, el comprador original de este nuevo NS-C2116 de Insignia Radio reloj con reproductor de CD ("Producto"), que éste se encontrará libre de defectos de material o de mano de obra en su fabricación original por un período de 90 (noventa) días a partir de la fecha de compra del Producto ("Período de Garantía"). Este producto debe ser comprado en un distribuidor autorizado de productos de la marca Insignia y empaçado con esta declaración de garantía. Esta garantía no cubre Productos reacondicionados. Si notifica a Insignia durante el Período de Garantía sobre un defecto cubierto por esta garantía que requiere reparación, los términos de esta garantía se aplican.

¿Cuánto dura la garantía?

El Período de Garantía dura por 90 (noventa) días a partir de la fecha en que compró el Producto. La fecha de compra se encuentra impresa en el recibo que recibió con el Producto.

¿Qué es lo que cubre esta garantía?

Durante el Período de Garantía, si un centro de reparación autorizado de Insignia concluye que la fabricación original del material o la mano de obra del Producto se encuentran defectuosos, Insignia (cómo su opción exclusiva): (1) reparará el Producto con repuestos nuevos o reacondicionados; o (2) reemplazará el Producto sin cargo con uno nuevo o con uno reacondicionado con repuestos equivalentes. Los Productos y repuestos reemplazados bajo esta garantía se volverán propiedad de Insignia y no se le regresarán a usted. Si se requiere la reparación de Productos o partes después de que se vence el Período de Garantía, usted deberá pagar todos los costos de mano de obra y de repuestos. Esta garantía estará vigente con tal que usted sea el dueño de su Producto Insignia durante el periodo de garantía. El alcance de la garantía se termina si usted vende o transfiere el Producto.

¿Cómo se obtiene la reparación de garantía?

Si ha comprado el Producto en una tienda de ventas, lleve su recibo original y el Producto a la tienda en donde lo compró. Asegúrese de que vuelva a colocar el Producto en su empaque original o en un empaque que provea la misma protección que el original. Si compró el Producto en un sitio Web, envíe por correo su recibo original y el Producto a la dirección postal listada en el sitio Web. Asegúrese de colocar el Producto en su empaque original o en un empaque que provea la misma protección que el original.

¿En dónde es válida la garantía?

Esta garantía sólo es válida al comprador original del Producto en los Estados Unidos y en Canadá.

¿Qué es lo que no cubre la garantía?

Esta garantía no cubre:

- Formación del cliente
- Instalación
- Ajuste de configuración
- Daños cosméticos
- Daños debido a actos de la naturaleza, tal cómo rayos
- Accidentes
- Mal uso
- Abuso
- Negligencia
- Uso comercial
- Modificación de alguna parte del Producto, incluyendo la antena

Esta garantía tampoco cubre:

- Daño debido al uso o mantenimiento incorrecto
- La conexión a una fuente de voltaje incorrecta
- El intento de reparación por alguien que no sea una compañía autorizada por Insignia para reparar el Producto
- Productos vendidos tal cual (en el estado en que se encuentran) o con todas sus fallas
- Productos consumibles, tal cómo fusibles o baterías
- Productos en los cuales el número de serie asignado en la fábrica ha sido alterado o removido.

LA REPARACIÓN O REEMPLAZO SEGÚN LO PROVISTO BAJO ESTA GARANTÍA ES SU ÚNICO RECURSO. INSIGNIA NO SERÁ RESPONSABLE POR DAÑOS INCIDENTALES O CONSECUENTES DEBIDO AL INCUMPLIMIENTO DE CUALQUIER GARANTÍA EXPRESA O IMPLÍCITA RELACIONADA CON ESTE PRODUCTO, INCLUYENDO, PERO SIN LIMITARSE A ELLO, PÉRDIDA DE DATOS, IMPOSIBILIDAD DE USO DE SU PRODUCTO, PÉRDIDA DE NEGOCIO O LUCRO CESANTE. INSIGNIA NO CONCEDE NINGUNA OTRA GARANTÍA EXPRESA CON RESPECTO AL PRODUCTO; TODAS LAS GARANTÍAS EXPRESAS E IMPLÍCITAS DE ESTE PRODUCTO, INCLUYENDO PERO SIN LIMITARSE A, CUALQUIER GARANTÍA IMPLÍCITA DE O CONDICIONES DE COMERCIALIZACIÓN O IDONEIDAD PARA UN USO PARTICULAR, ESTÁN LIMITADAS EN DURACIÓN AL PERÍODO DE GARANTÍA DECLARADO ANTERIORMENTE Y NINGUNA GARANTÍA YA SEA EXPRESA O IMPLÍCITA SE APLICARÁ DESPUÉS DEL PERÍODO DE GARANTÍA. ALGUNOS ESTADOS, PROVINCIAS Y JURISDICCIONES NO PERMITEN RESTRICCIONES EN CUANTO A LA DURACIÓN DE UNA GARANTÍA IMPLÍCITA, ASÍ QUE LA RESTRICCIÓN ANTERIOR PUEDE NO APLICARSE EN SU CASO. ESTA GARANTÍA LE DA DERECHOS LEGALES ESPECÍFICOS, Y USTED PUEDE POSEER OTROS DERECHOS QUE VARÍAN DE ESTADO A ESTADO, O PROVINCIA A PROVINCIA.

INSIGNIA™

Distributed by Insignia™ Products
Distribué par Insignia™ Products
Distribuido por Insignia™ Products

7601 Penn Avenue South,
Richfield, MN USA 55423-3645
www.Insignia-Products.com

© 2006 Insignia™ Products

All rights reserved. All other products and brand names are trademarks of their respective owners.

© 2006 produits Insignia™

Tous droits réservés. Tous les autres produits ou noms de marques sont des marques de commerce qui appartiennent à leurs propriétaires respectifs.

© 2006 productos Insignia™

Todos los derechos reservados. Todos los demás productos y marcas son marcas comerciales de sus respectivos dueños.