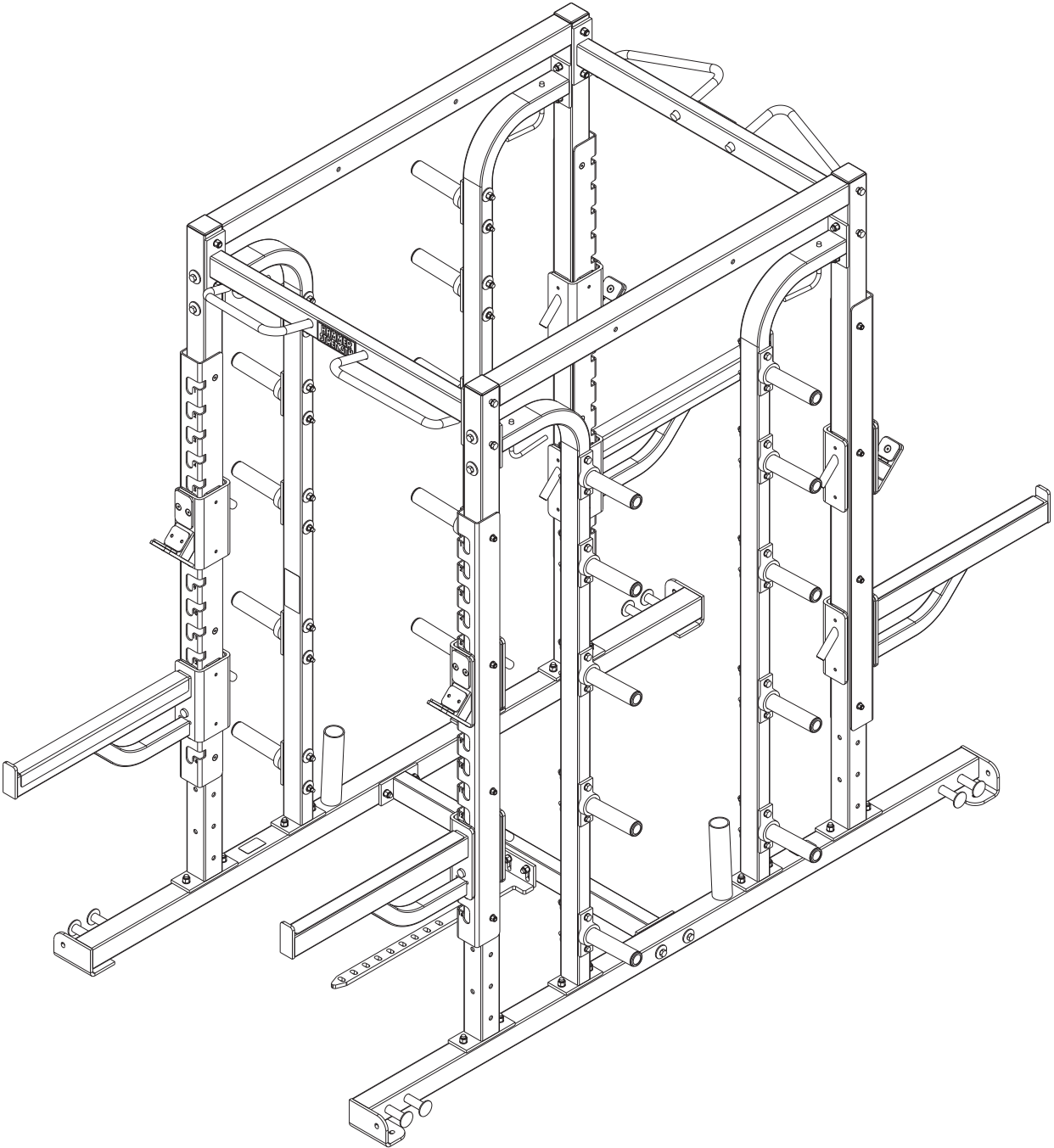


# HAMMER STRENGTH®

## HDCR8 HEAVY DUTY 8 FOOT COMBO RACK



Customer Support Services  
**PARTS LIST**

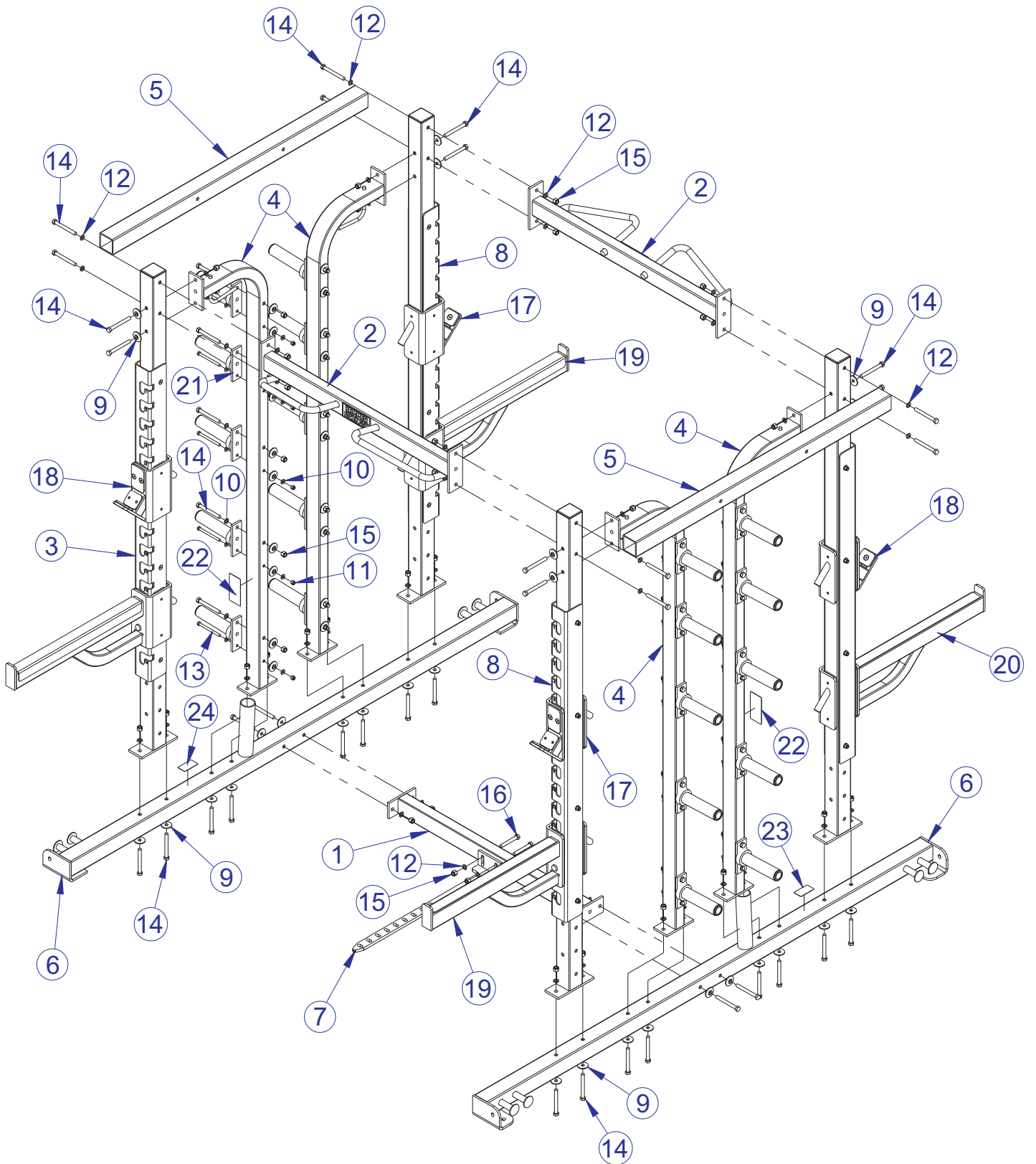
# HDCR8 HEAVY DUTY 8 FOOT COMBO RACK CONTENTS

---

COMPONENT ASSEMBLY	pg. 3
COMPONENT ASSEMBLY LEGEND	4
PULL-UP SUPPORT ASSEMBLY	5
LEFT FRONT UPRIGHT ASSEMBLY	6
RIGHT FRONT UPRIGHT ASSEMBLY	7
RIGHT BAR SUPPORT ASSEMBLY	8
LEFT BAR SUPPORT ASSEMBLY	9
RIGHT BAR CATCH ASSEMBLY	10
LEFT BAR CATCH ASSEMBLY	11
ANGLED WEIGHT HORN ASSEMBLY	12
IMAGE	13

NOTE: ITEMS THAT HAVE AN ASTERISK (\*) ARE FRAME COLOR SPECIFIC.  
ORDERS MUST INCLUDE FRAME COLOR FOR THESE ITEMS.

# HDCR8 HEAVY DUTY 8 FOOT COMBO RACK COMPONENT ASSEMBLY



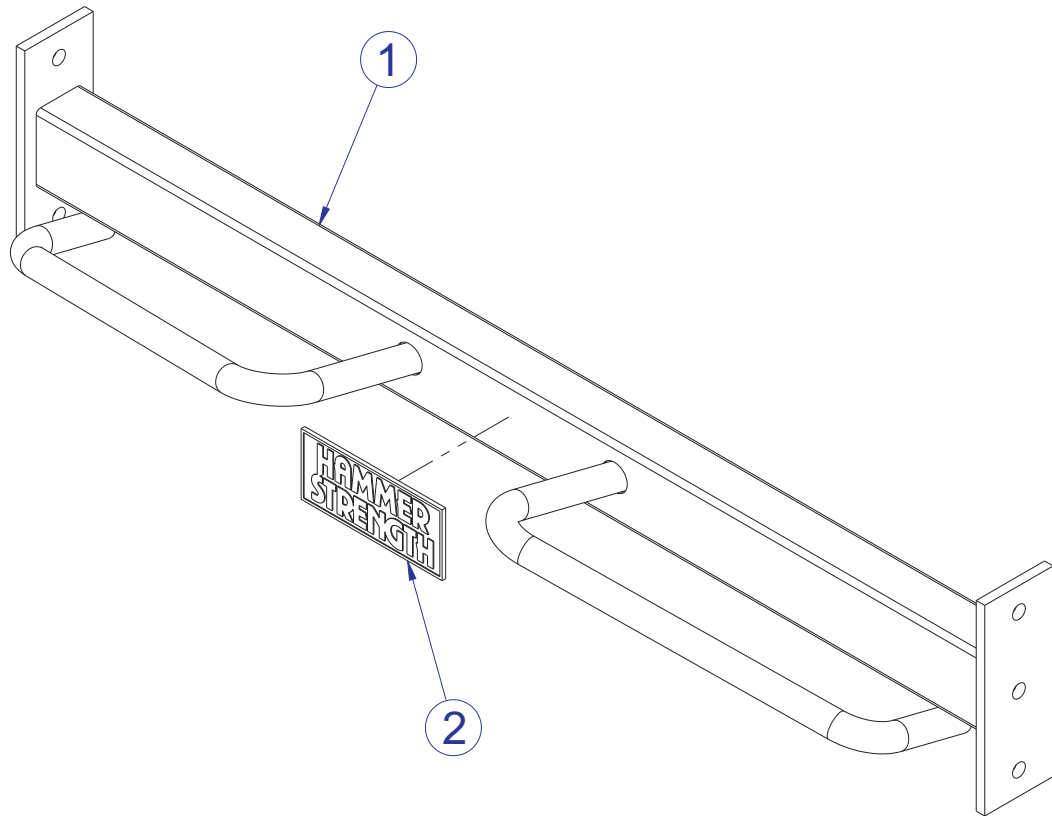
SEE PAGE 4 FOR LEGEND

# HDCR8 HEAVY DUTY 8 FOOT COMBO RACK COMPONENT ASSEMBLY LEGEND

ITEM NO.	QTY.	PART NO.	DESCRIPTION
1*	1	HDCR8-RX-0	WDMT, REAR CROSS TUBE
2*	2	HDCR8-CPU-0	PTD ASSY, PULL-UP SUPPORT
3*	2	HDCR8-CFUPL-0	PTD ASSY, 8' COMP FRT UPRIGHT LFT
4*	4	HDCR8-RUP-0	WLDMT, REAR UPRIGHT
5*	2	HDCR8-USF-1	WLDMT, OHDCR, CROSS SUPPORT
6*	2	HDCR8-LSF-0	WLDMT, OHDCR, BASE
7	1	HD-LDL-00	PLATED WDMT, LONG DOCK-LOCK
8*	2	HDCR8-CFUPR-0	PTD ASSY, 8' COMP FRT UPRIGHT RT
9	70	H-BACK-WASH	BACKING WASHER
10	40	WASH.375SAE	3/8" SAE FLAT WASHER
11	20	NUT.375LOCK	3/8" THICK LOCK NUT
12	66	WASH.5STAR	1/2" INTERNAL LOCK WASHER
13	20	HHB.375X4.5	3/8 X 4.5 BOLT
14	56	HHB.5X4.5	1/2 X 4 1/2 BOLT
15	58	NUT.5LOCK	1/2" THICK LOCK NUT
16	2	HHB.5X3.5	1/2 X 3 1/2 BOLT
17	2	HDCR8-CBSR-0	PTD ASSY, BAR SUPPORT RIGHT
18	2	HDCR8-CBSL-0	PTD ASSY, BAR SUPPORT LEFT
19	2	HDCR8-CBCR-0	PTD ASSY, BAR CATCH RIGHT
20	2	HDCR8-CBCL-0	PTD ASSY, BAR CATCH LEFT
21	20	ANG-WT-HORN-ASSY	ANGLED WEIGHT HORN
22	2	WARNING LARGE-V	LARGE WARNING VERT.
23	1	SERIAL NUMBER	SERIAL NUMBER
24	1	PATENT	PATENT DECAL

# HDCR8 HEAVY DUTY 8 FOOT COMBO RACK PULL UP SUPPORT ASSEMBLY - HDCR8-CPU-0\*

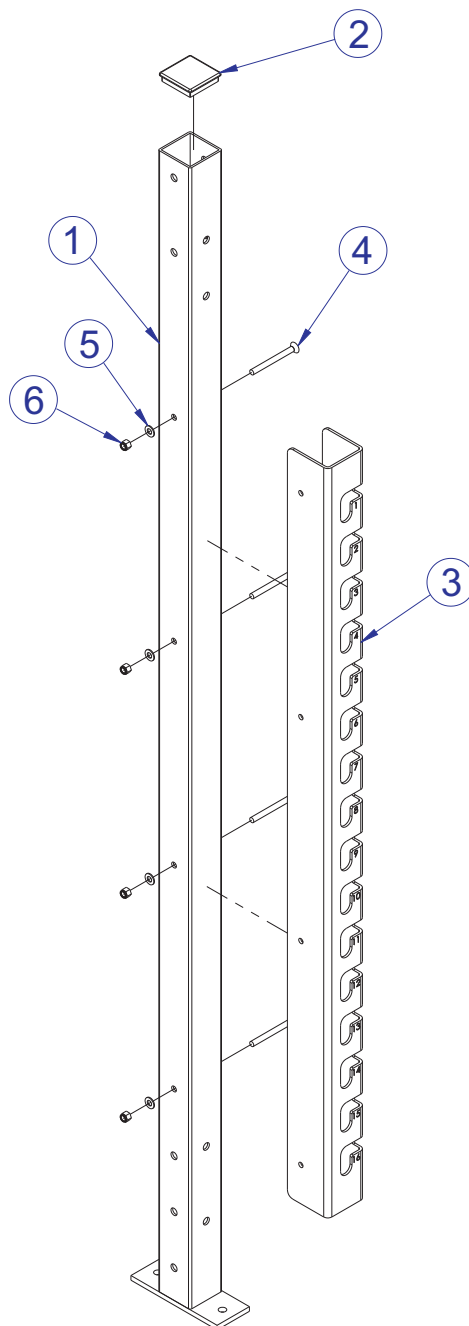
---



ITEM NO.	QTY.	PART NO.	DESCRIPTION
1*	1	HDCR8-PU-0	WLDMT, PULL-UP SUPPORT (OHDHR)
2	1	H-NAME PLATE	HAMMER STRENGTH BADGE

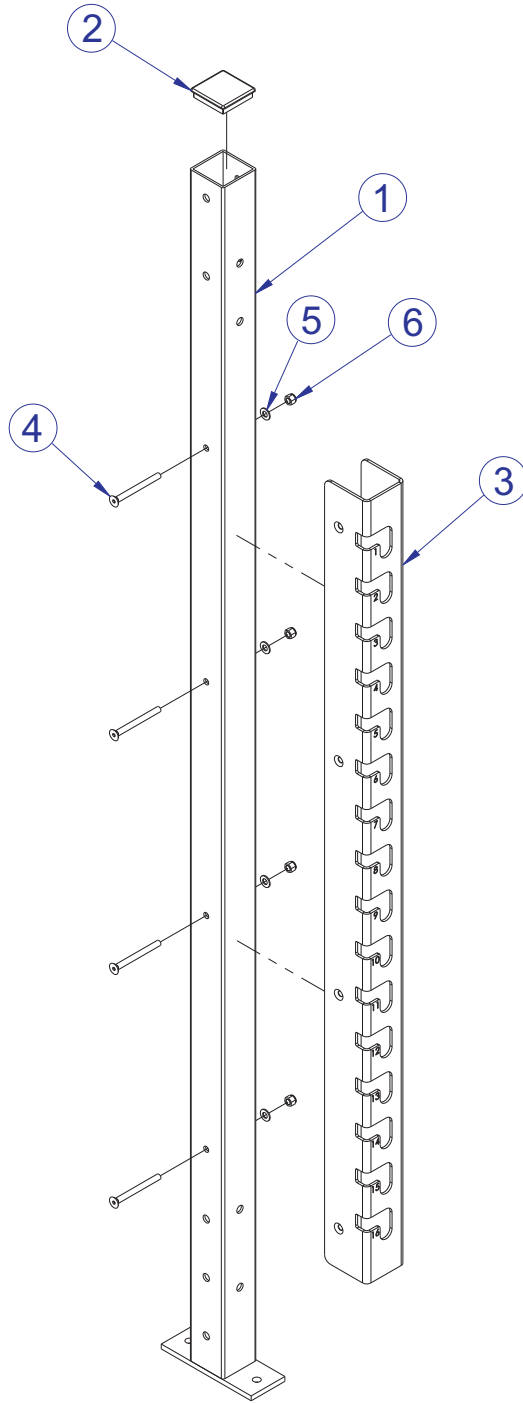
# HDCR8 HEAVY DUTY 8 FOOT COMBO RACK

## LEFT FRONT UPRIGHT ASSEMBLY - HDCR8-CFUPL-0\*



ITEM NO.	QTY.	PART NO.	DESCRIPTION
1*	1	HDCR8-FUP-0	WLDMT, 8' UPRIGHT
2	1	SQ-24-1	3 X 3 END CAP
3	1	HD-LH-ADJ-RACK-01	HD ADJUSTMENT RACK, LEFT
4	4	3/8 X 4 FHSCS	0.375 X 4" FLAT HEAD CAP SCREW
5	4	WASH.375SAE	3/8" SAE FLAT WASHER
6	4	NUT.375LOCK	3/8" THICK LOCK NUT

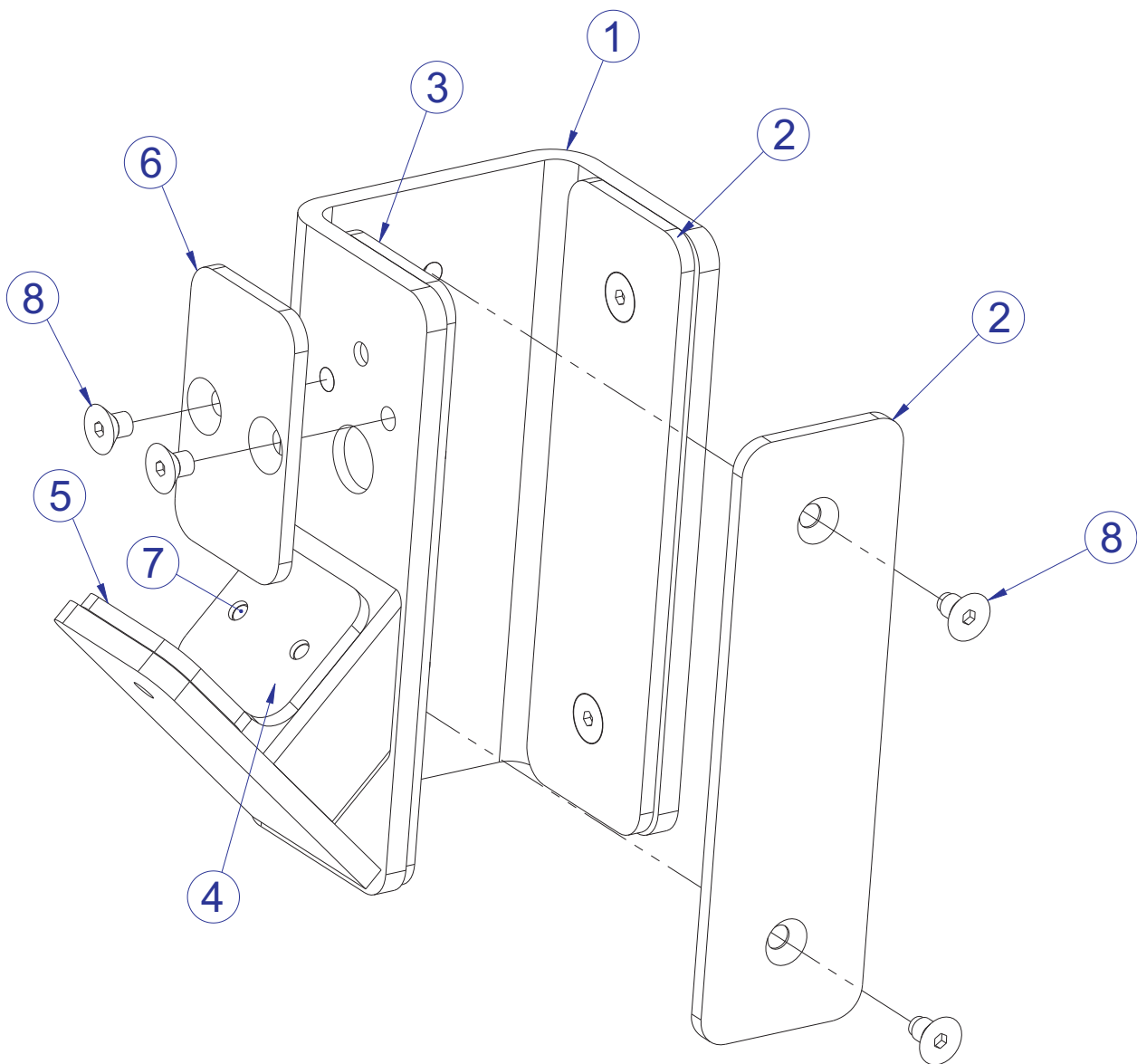
# HDCR8 HEAVY DUTY 8 FOOT COMBO RACK RIGHT FRONT UPRIGHT ASSEMBLY - HDCR8-CFUPR-0\*



ITEM NO.	QTY.	PART NO.	DESCRIPTION
1*	1	HDCR8-FUP-0	WLDMT, 8' UPRIGHT
2	1	SQ-24-1	3 X 3 END CAP
3	1	HD-RH-ADJ-RACK-01	ADJUSTMENT RACK, RIGHT
4	4	3/8 X 4 FHSCS	0.375 X 4" FLAT HEAD CAP SCREW
5	4	WASH.375SAE	3/8" SAE FLAT WASHER
6	4	NUT.375LOCK	3/8" THICK LOCK NUT

# HDCR8 HEAVY DUTY 8 FOOT COMBO RACK

## RIGHT BAR SUPPORT ASSEMBLY - HDCR8-CBSR-0

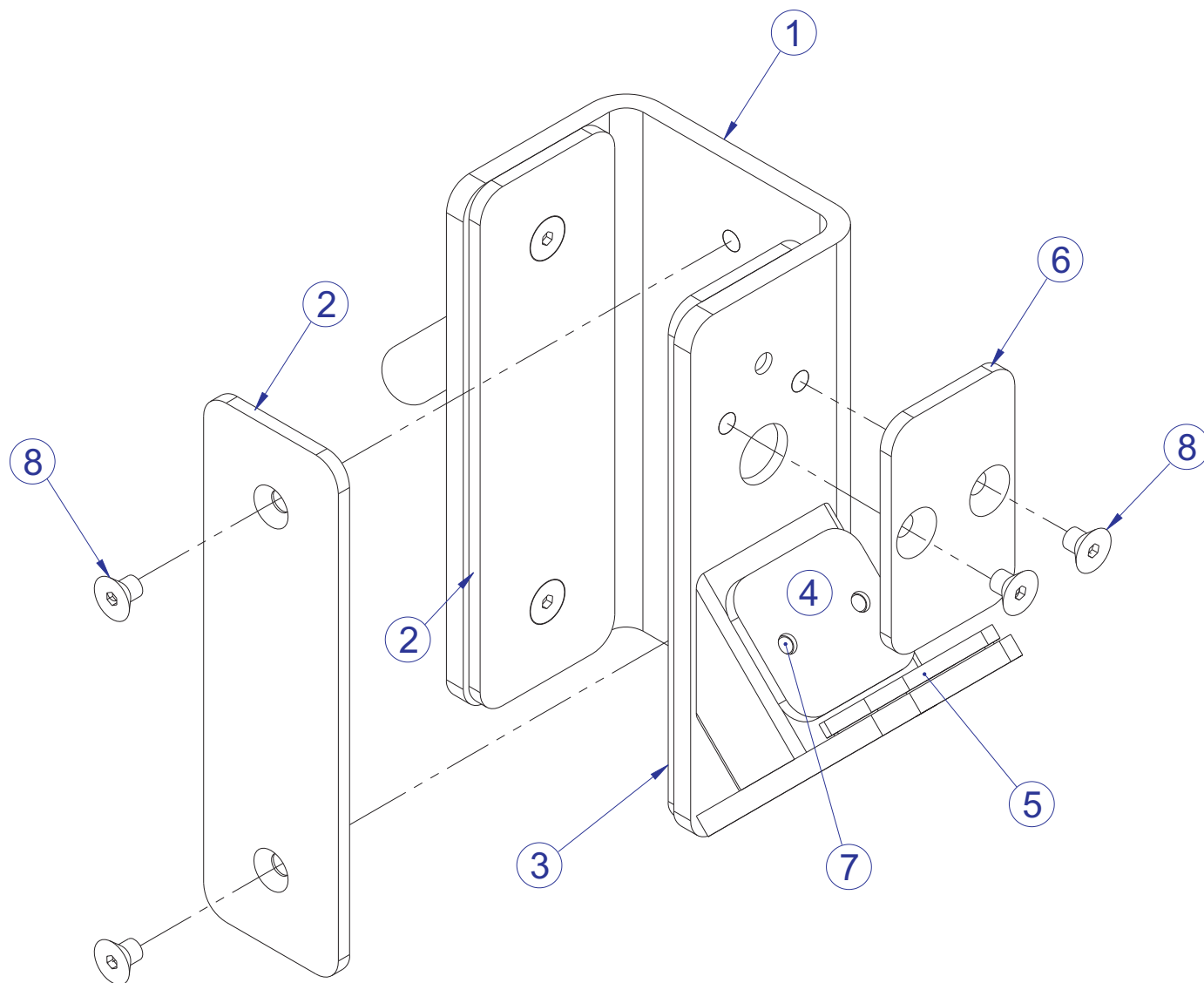


ITEM NO.	QTY.	PART NO.	DESCRIPTION
1	1	HDCR8-BSR-0	WLDMT, BAR SUPPORT RIGHT
2	2	HD-BKT-PNT-GRD-02	PAINT GUARD, 10" X 3"
3	1	HD-BKT-PNT-GRD-HOLES-02	PAINT GRD, 10" X 3" w/ 1.5" HOLES
4	1	HD-BS-PNT-GRD-MED-00	BAR SUPT LOWER PNT GRD
5	1	HD-BS-PNT-GRD-SML-02	BAR SUPT SML PNT GRD
6	1	HD-BS-PNT-GRD-LRG-02	BAR SUPT FRT PNT GRD
7	2	RIVET	RIVET 5/32 X 3/8
8	9	3/8 X 1/2 FHSCS	0.375 X 1/2" FLAT HEAD CAP SCREW



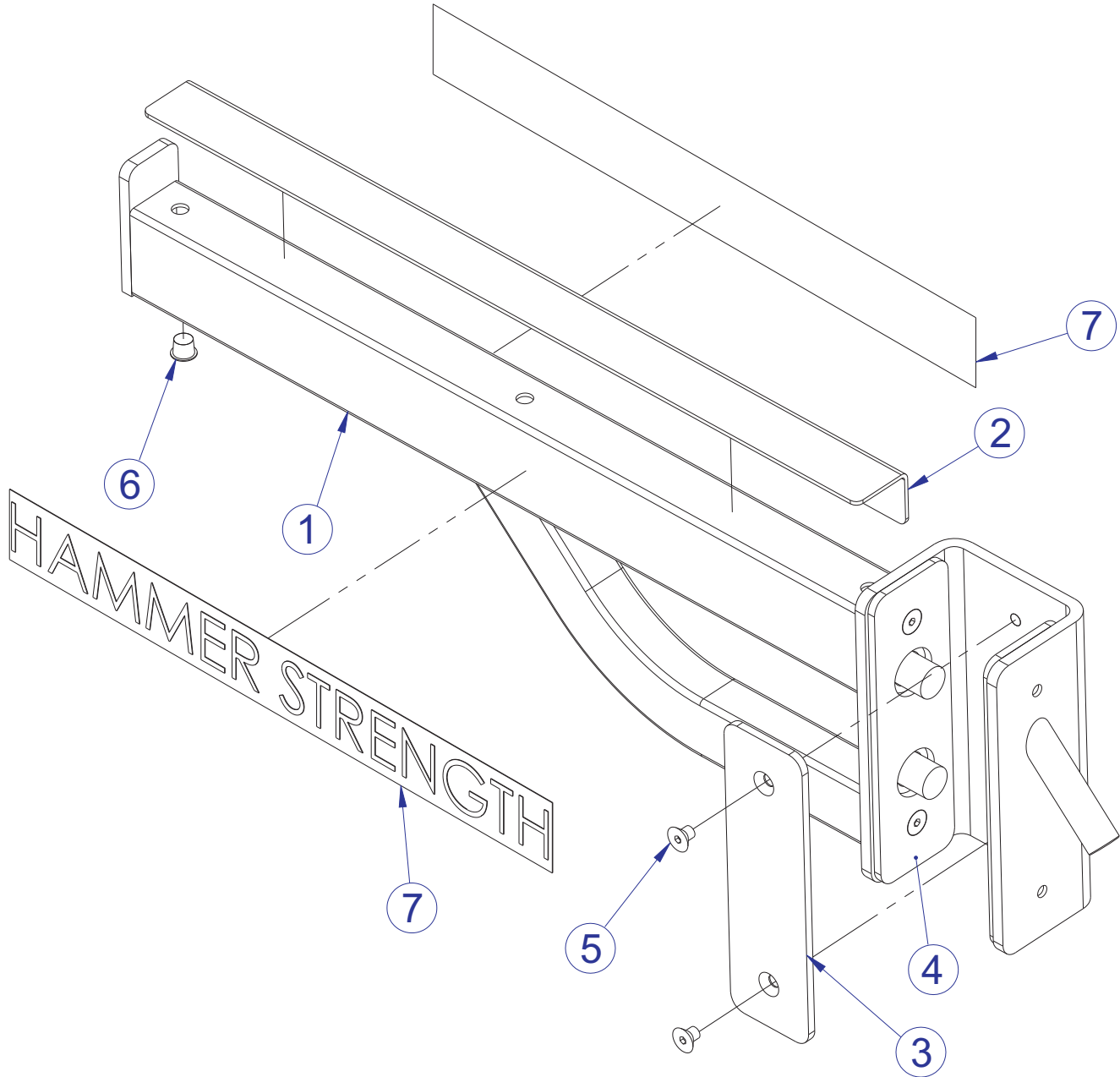
# HDCR8 HEAVY DUTY 8 FOOT COMBO RACK

## LEFT BAR SUPPORT ASSEMBLY - HDCR8-CBSL-0



ITEM NO.	QTY.	PART NO.	DESCRIPTION
1	1	HDCR8-BSL-0	WLDMT, BAR SUPPORT LEFT
2	2	HD-BKT-PNT-GRD-02	PAINT GUARD, 10" X 3"
3	1	HD-BKT-PNT-GRD-HOLES-02	PAINT GRD, 10" X 3" w/ 1.5" HOLES
4	1	HD-BS-PNT-GRD-MED-00	BAR SUPT LOWER PNT GRD
5	1	HD-BS-PNT-GRD-SML-02	BAR SUPT SML PNT GRD
6	1	HD-BS-PNT-GRD-LRG-02	BAR SUPT FRT PNT GRD
7	2	RIVET	RIVET 5/32 X 3/8
8	9	3/8 X 1/2 FHSCS	0.375 X 1/2" FLAT HEAD CAP SCREW

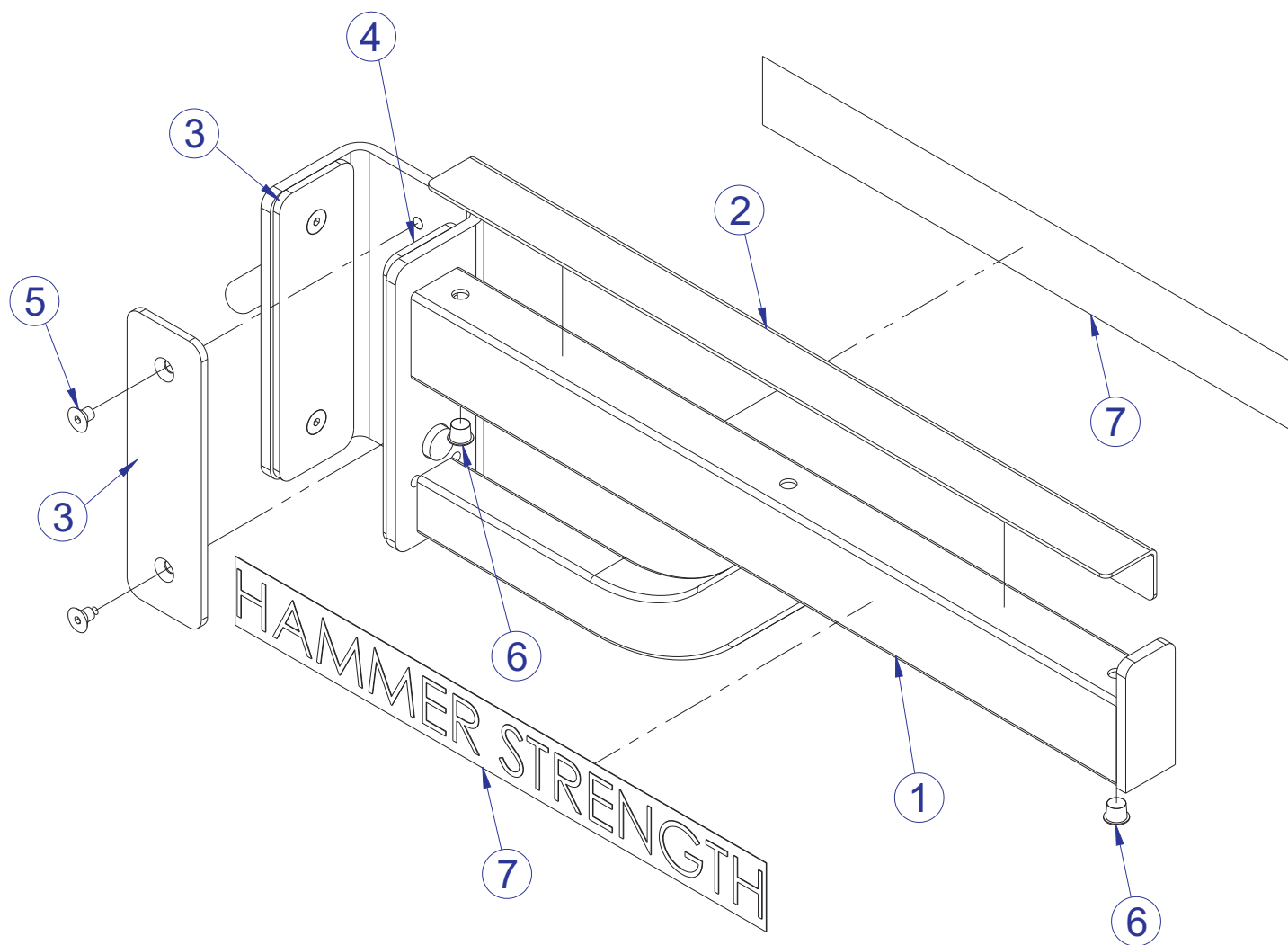
# HDCR8 HEAVY DUTY 8 FOOT COMBO RACK RIGHT BAR CATCH ASSEMBLY - HDCR8-CBCR-0



ITEM NO.	QTY.	PART NO.	DESCRIPTION
1	1	HDCR8-BCR-0	WLDMT, BAR CATCH RIGHT
2	1	HD-BC-PNT-GRD-SML-00	BAR CATCH PAINT GUARD TOP (27.5)
3	2	HD-BKT-PNT-GRD-02	PAINT GUARD, 10" X 3"
4	1	HD-BKT-PNT-GRD-HOLES-02	PAINT GRD, 10" X 3" w/ 1.5" HOLES
5	6	3/8 X 1/2 FHSCS	0.375 X 1/2" FLAT HEAD CAP SCREW
6	2	H-LOCK-PLUG	9/16" HOLE PLUG
7	2	H-DECAL-LOGO	HAMMER STRENGTH LARGE DECAL

# HDCR8 HEAVY DUTY 8 FOOT COMBO RACK

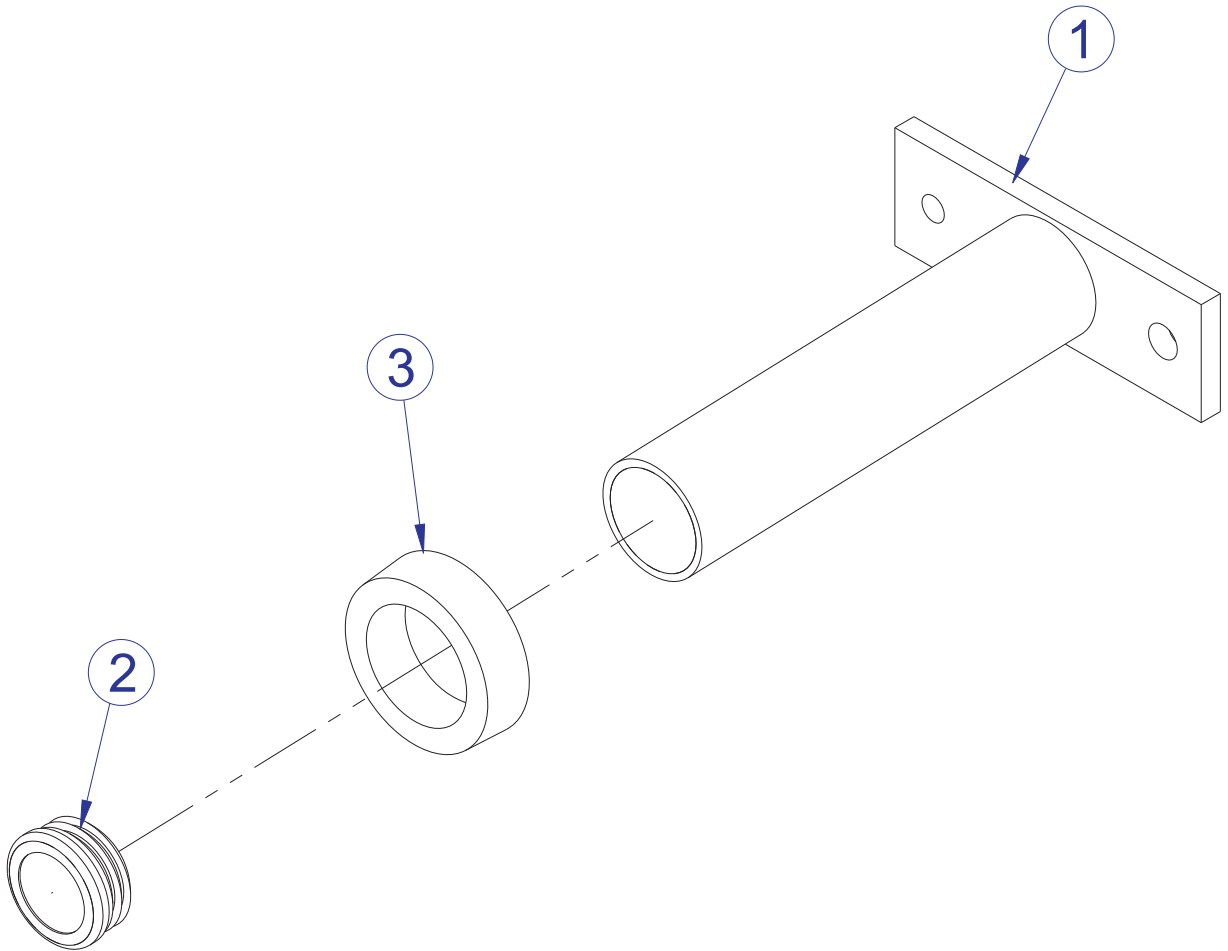
## LEFT BAR CATCH ASSEMBLY - HDCR8-CBCL-0



ITEM NO.	QTY.	PART NO.	DESCRIPTION
1	1	HDCR8-BCL-0	WLDMT, BAR CATCH LEFT
2	1	HD-BC-PNT-GRD-SML-00	BAR CATCH PAINT GUARD TOP (27.5)
3	2	HD-BKT-PNT-GRD-02	PAINT GUARD, 10" X 3"
4	1	HD-BKT-PNT-GRD-HOLES-02	PAINT GRD, 10" X 3" w/ 1.5" HOLES
5	6	3/8 X 1/2 FHSCS	0.375 X 1/2" FLAT HEAD CAP SCREW
6	2	H-LOCK-PLUG	9/16" HOLE PLUG
7	2	H-DECAL-LOGO	HAMMER STRENGTH LARGE DECAL

# HDCR8 HEAVY DUTY 8 FOOT COMBO RACK ANGLED WEIGHT HORN ASSY. - ANG-WT-HORN-ASSY

---



ITEM NO.	QTY.	PART NO.	DESCRIPTION
1	1	ANG-WT-HORN-ASSY	WDMNT, ANGLED WEIGHT HORN
2	1	H-RUBCAP2	PLUG, HAMMER WEIGHT HORN
3	1	H-RUBRNG	MM5 RING

# HDCR8 HEAVY DUTY 8 FOOT COMBO RACK IMAGE

---



Shown with HDADJ Bench & HDSP Spotter Platform