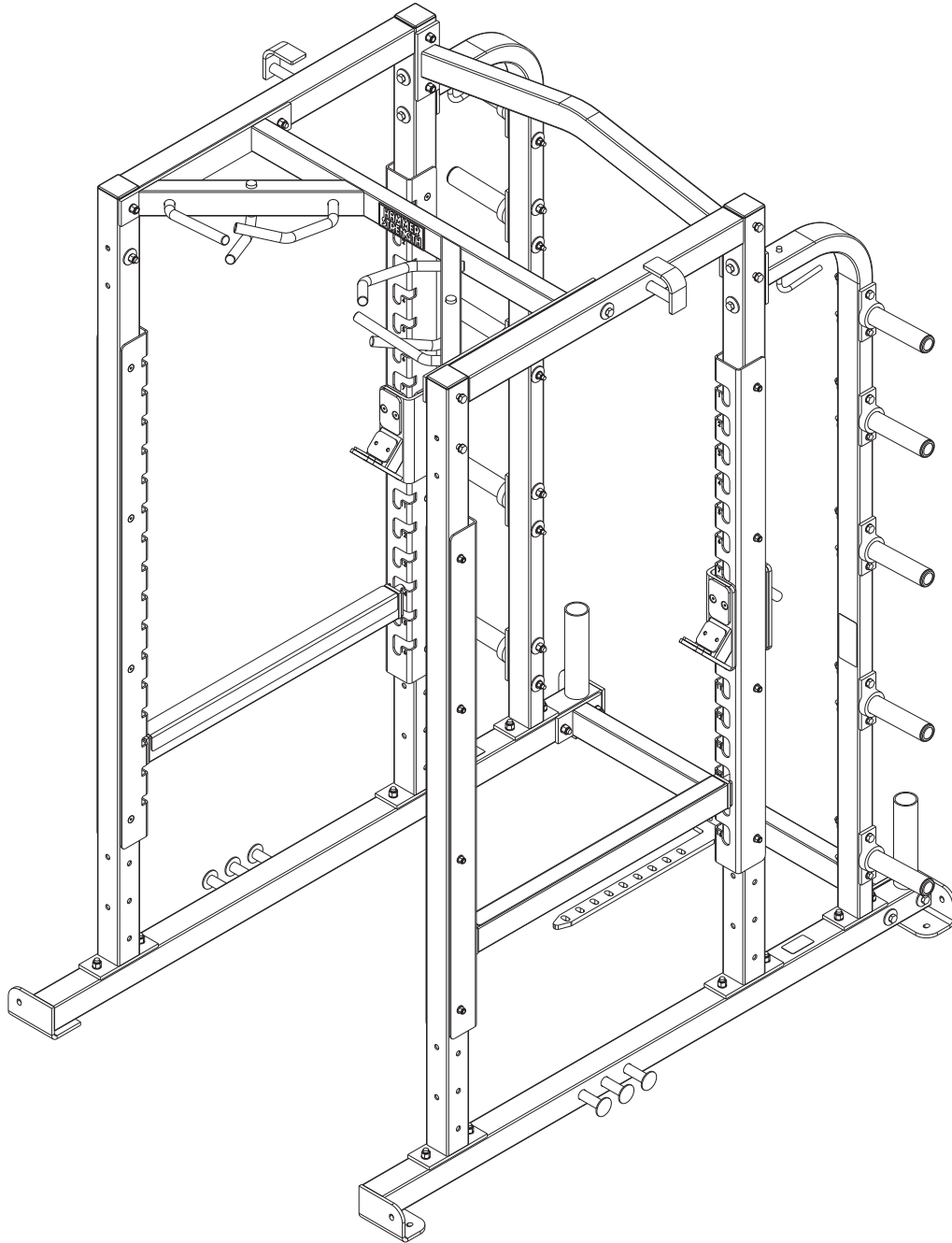


# HAMMER STRENGTH®

## HDPR8 HEAVY DUTY 8 FOOT POWER RACK



Customer Support Services  
**PARTS LIST**

# HDPR8 HEAVY DUTY 8 FOOT POWER RACK CONTENTS

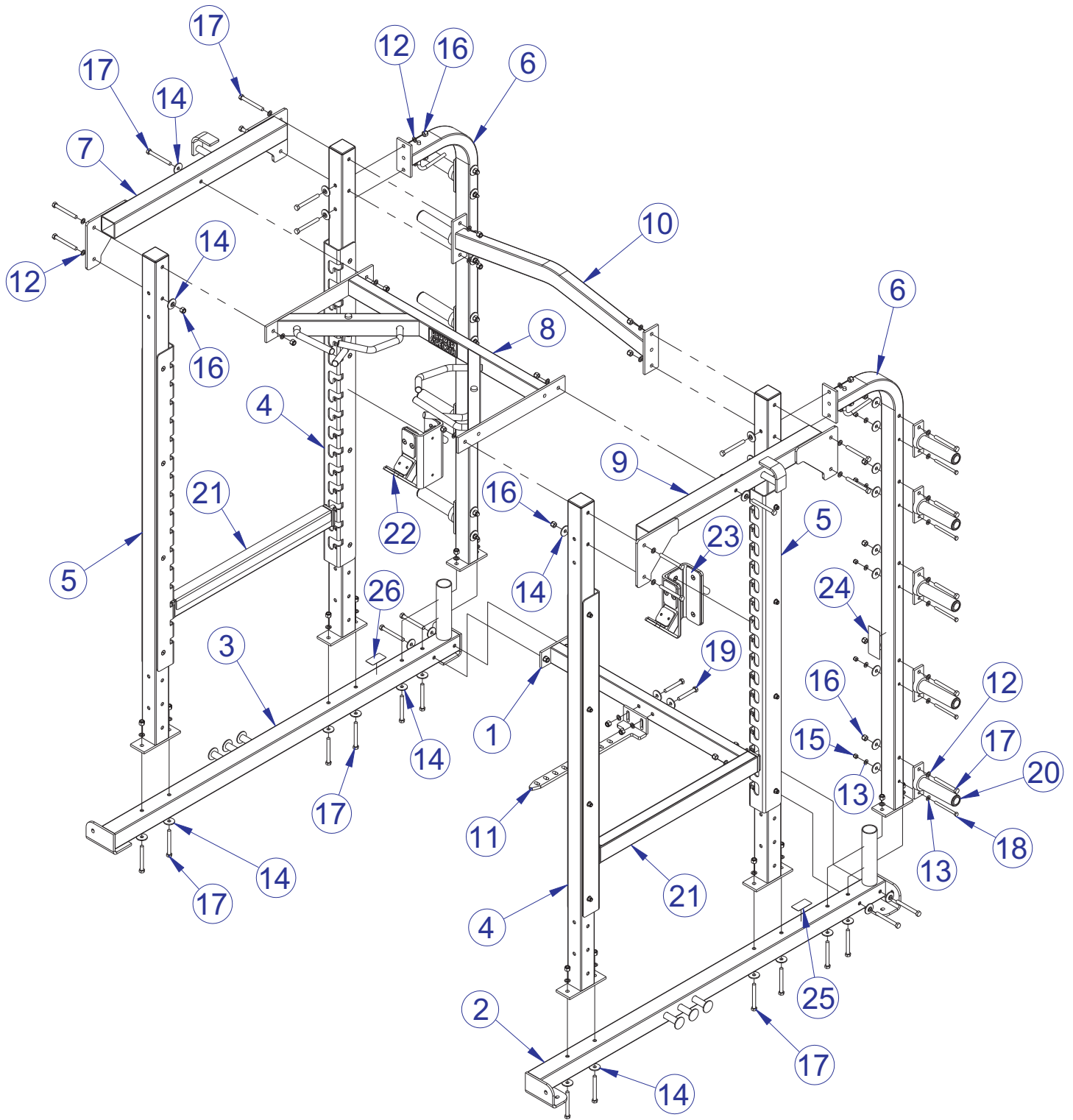
---

COMPONENT ASSEMBLY	pg.	3
COMPONENT ASSEMBLY LEGEND		4
PULL-UP SUPPORT ASSEMBLY		5
LEFT FRONT UPRIGHT ASSEMBLY		6
RIGHT FRONT UPRIGHT ASSEMBLY		7
RIGHT BAR SUPPORT ASSEMBLY		8
LEFT BAR SUPPORT ASSEMBLY		9
BAR CATCH ASSEMBLY		10
ANGLED WEIGHT HORN ASSEMBLY		11
IMAGE		12

NOTE: ITEMS THAT HAVE AN ASTERISK (\*) ARE FRAME COLOR SPECIFIC.  
ORDERS MUST INCLUDE FRAME COLOR FOR THESE ITEMS.

# HDPR8 HEAVY DUTY 8 FOOT POWER RACK COMPONENT ASSEMBLY

---



SEE PAGE 4 FOR LEGEND

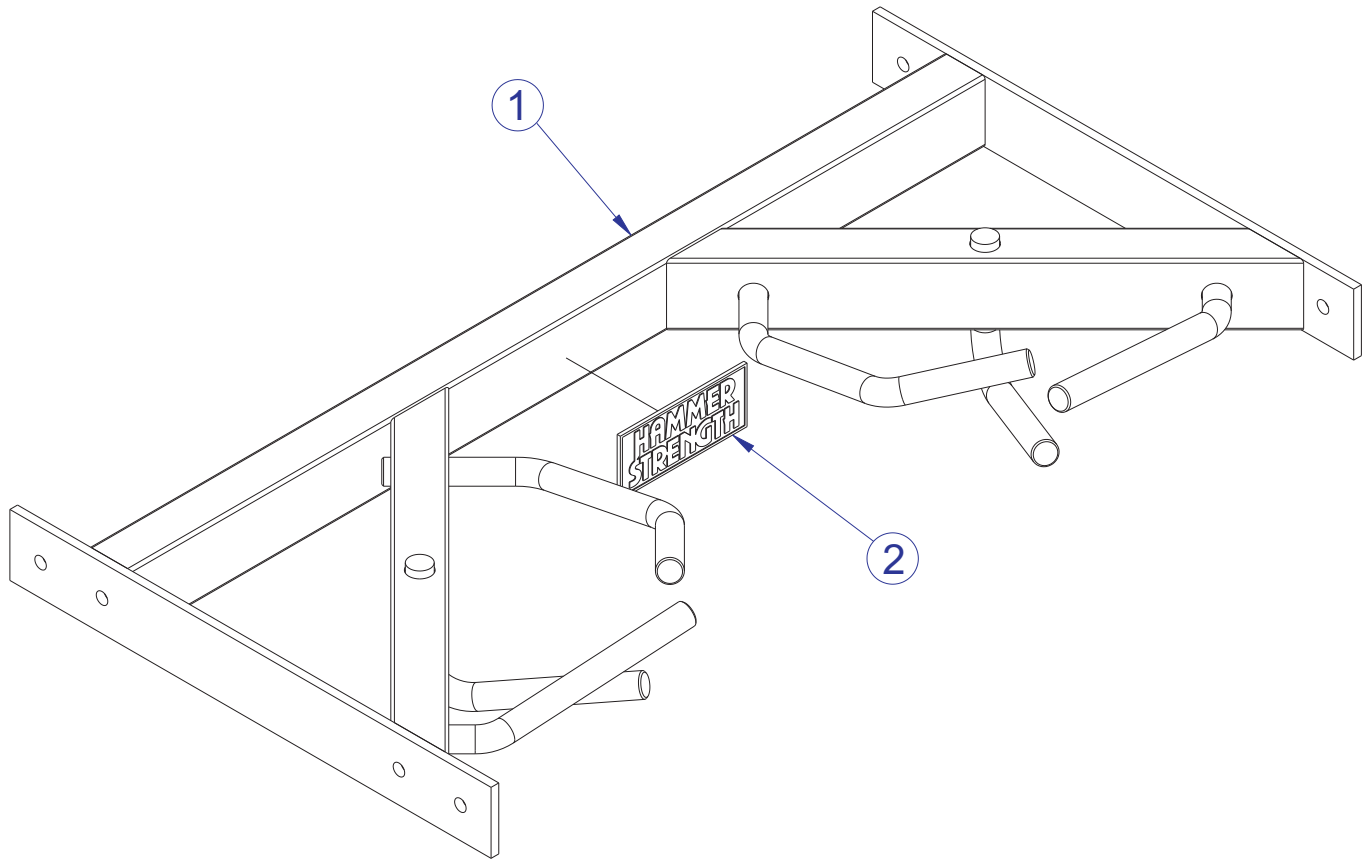
# HDPR8 HEAVY DUTY 8 FOOT POWER RACK COMPONENT ASSEMBLY LEGEND

---

ITEM NO.	QTY.	PART NO.	DESCRIPTION
1*	1	HDPR8-RX-0	WDMT, REAR CROSS TUBE
2*	1	HDPR8-LSFR-0	WLDMT, LOWER SIDE FRAME RT (HDPR)
3*	1	HDPR8-LSFL-0	WLDMT, LOWER SIDE FRAME LEFT (HDPR)
4*	2	HDPR8-CFUPL-0	PTD ASSY, 8' COMP FRT UPRIGHT LFT
5*	2	HDPR8-CFUPR-0	PTD ASSY, 8' COMP FRT UPRIGHT RT
6*	2	HDPR8-RUP-0	WLDMT, REAR UPRIGHT
7*	1	HDPR8-USFL-1	WLDMT, UPR SIDE FRAME LEFT (HDPR)
8*	1	HDPR8-CPU-0	PTD ASSY - COMPONENT PULL UP (HDPR)
9*	1	HDPR8-USFR-1	WLDMT, UPR SIDE FRAME RIGHT (HDPR)
10*	1	HDPR8-TX-0	WLDMT, TOP CROSS BEAM (HDPR)
11	1	HD-SDL-00	PLATED WDMT, SHORT DOCK-LOCK
12	48	WASH.5STAR	1/2" INTERNAL LOCK WASHER
13	20	WASH.375SAE	3/8" SAE FLAT WASHER
14	46	H-BACK-WASH	BACKING WASHER
15	10	NUT.375LOCK	3/8" THICK LOCK NUT
16	42	NUT.5LOCK	1/2" THICK LOCK NUT
17	40	HHB.5X4.5	1/2 X 4 1/2 BOLT
18	10	HHB.375X4.5	3/8 X 4.5 BOLT
19	2	HHB.5X3.5	1/2 X 3 1/2 BOLT
20	10	ANG-WT-HORN-ASSY	ANGLED WEIGHT HORN
21	2	HDPR8-CBC-0	PTD ASSY, BAR CATCH
22	1	HDPR8-CBSL-1	PTD ASSY, BAR SUPPORT LEFT
23	1	HDPR8-CBSR-1	PTD ASSY, BAR SUPPORT RIGHT
24	1	WARNING LARGE-V	LARGE WARNING VERT.
25	1	SERIAL NUMBER	SERIAL NUMBER
26	1	PATENT	PATENT DECAL

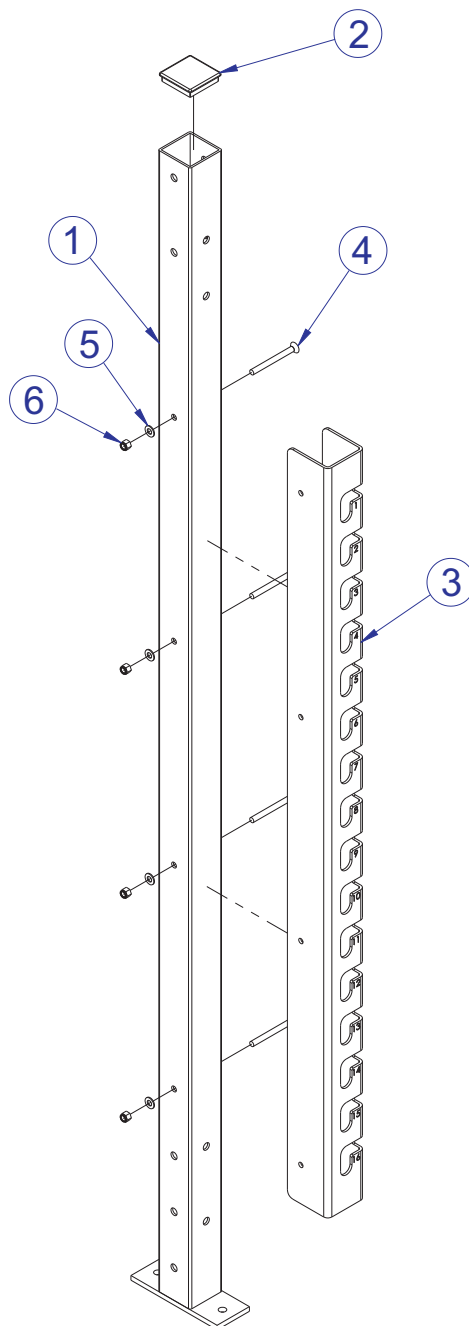
# HDPR8 HEAVY DUTY 8 FOOT POWER RACK PULL UP SUPPORT ASSEMBLY - HDPR8-CPU-0\*

---



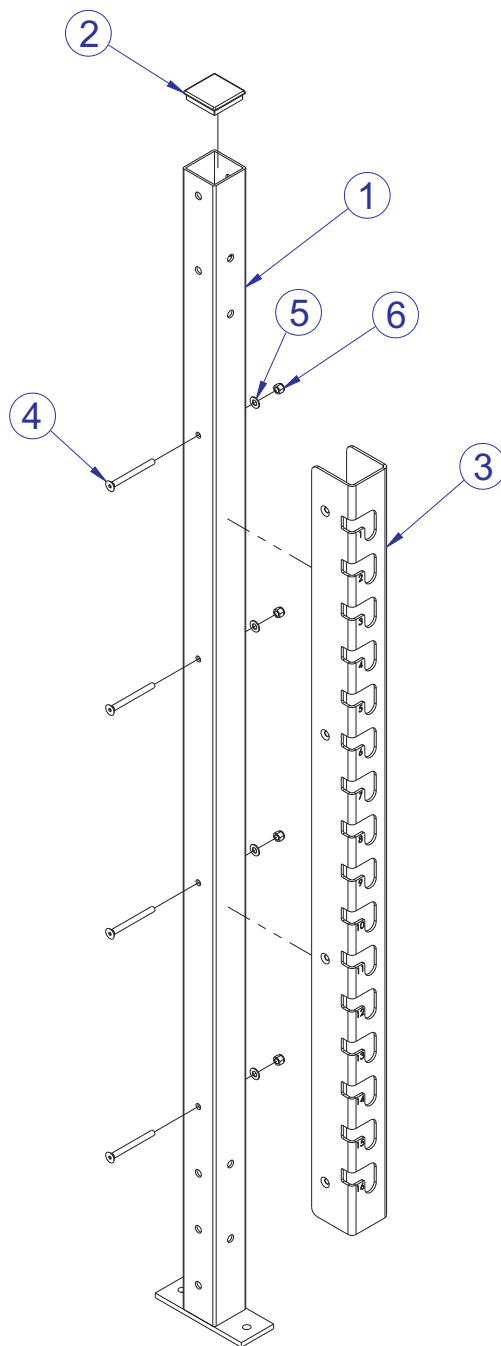
ITEM NO.	QTY.	PART NO.	DESCRIPTION
1*	1	HDPR8-PU-0	WLDMT, CHIN UP SUPRT (OHDPR)
2	1	H-NAME PLATE	HAMMER STRENGTH BADGE

# HDPR8 HEAVY DUTY 8 FOOT POWER RACK LEFT FRONT UPRIGHT ASSEMBLY - HDPR8-CFUPL-0\*



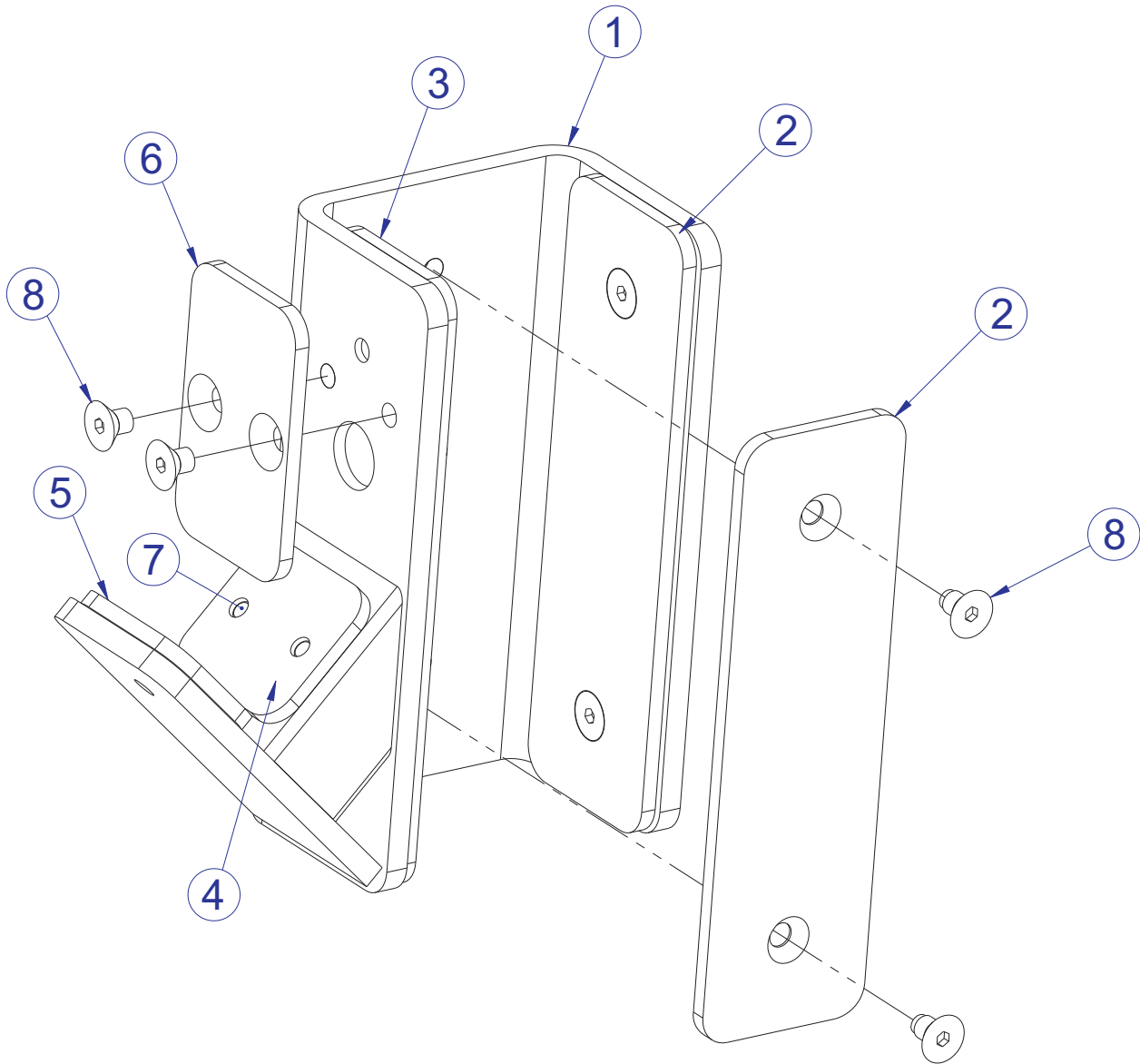
ITEM NO.	QTY.	PART NO.	DESCRIPTION
1*	1	HDPR8-FUP-0	WLDMT, 8' UPRIGHT
2	1	SQ-24-1	3 X 3 END CAP
3	1	HD-LH-ADJ-RACK-01	HD ADJUSTMENT RACK, LEFT
4	4	3/8 X 4 FHSCS	0.375 X 4" FLAT HEAD CAP SCREW
5	4	WASH.375SAE	3/8" SAE FLAT WASHER
6	4	NUT.375LOCK	3/8" THICK LOCK NUT

# HDPR8 HEAVY DUTY 8 FOOT POWER RACK RIGHT FRONT UPRIGHT ASSEMBLY - HDPR8-CFUPR-0\*



ITEM NO.	QTY.	PART NO.	DESCRIPTION
1*	1	HDPR8-FUP-0	WLDMT, 8' UPRIGHT
2	1	SQ-24-1	3 X 3 END CAP
3	1	HD-RH-ADJ-RACK-01	ADJUSTMENT RACK, RIGHT
4	4	3/8 X 4 FHSCS	0.375 X 4" FLAT HEAD CAP SCREW
5	4	WASH.375SAE	3/8" SAE FLAT WASHER
6	4	NUT.375LOCK	3/8" THICK LOCK NUT

# HDPR8 HEAVY DUTY 8 FOOT POWER RACK RIGHT BAR SUPPORT ASSEMBLY - HDPR8-CBSR-1

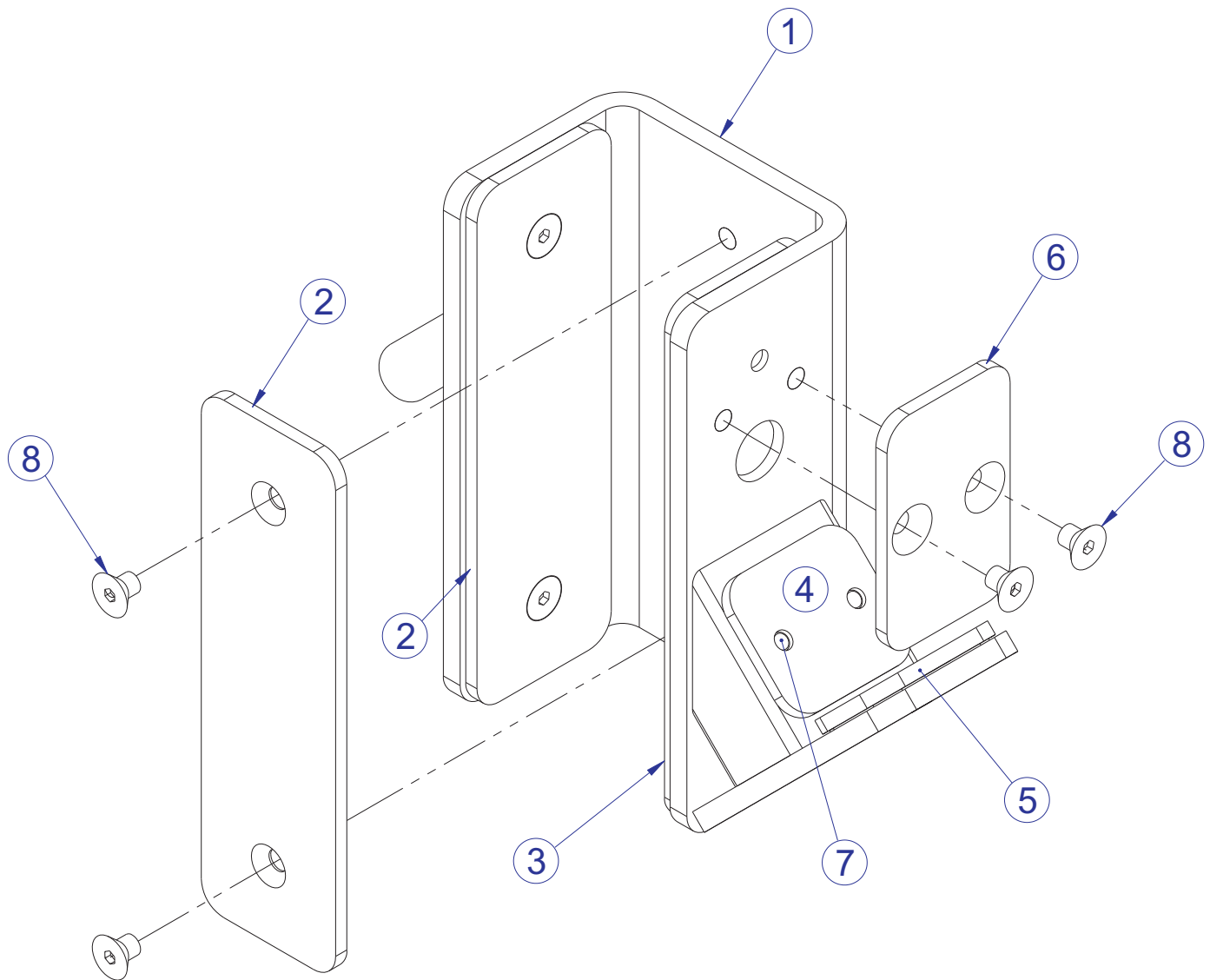


ITEM NO.	QTY.	PART NO.	DESCRIPTION
1	1	HDPR8-BSR-0	WLDMT, BAR SUPPORT RIGHT
2	2	HD-BKT-PNT-GRD-02	PAINT GUARD, 10" X 3"
3	1	HD-BKT-PNT-GRD-HOLES-02	PAINT GRD, 10" X 3" w/ 1.5" HOLES
4	1	HD-BS-PNT-GRD-MED-00	BAR SUPT LOWER PNT GRD
5	1	HD-BS-PNT-GRD-SML-02	BAR SUPT SML PNT GRD
6	1	HD-BS-PNT-GRD-LRG-02	BAR SUPT FRT PNT GRD
7	2	RIVET	RIVET 5/32 X 3/8
8	9	3/8 X 1/2 FHSCS	0.375 X 1/2" FLAT HEAD CAP SCREW



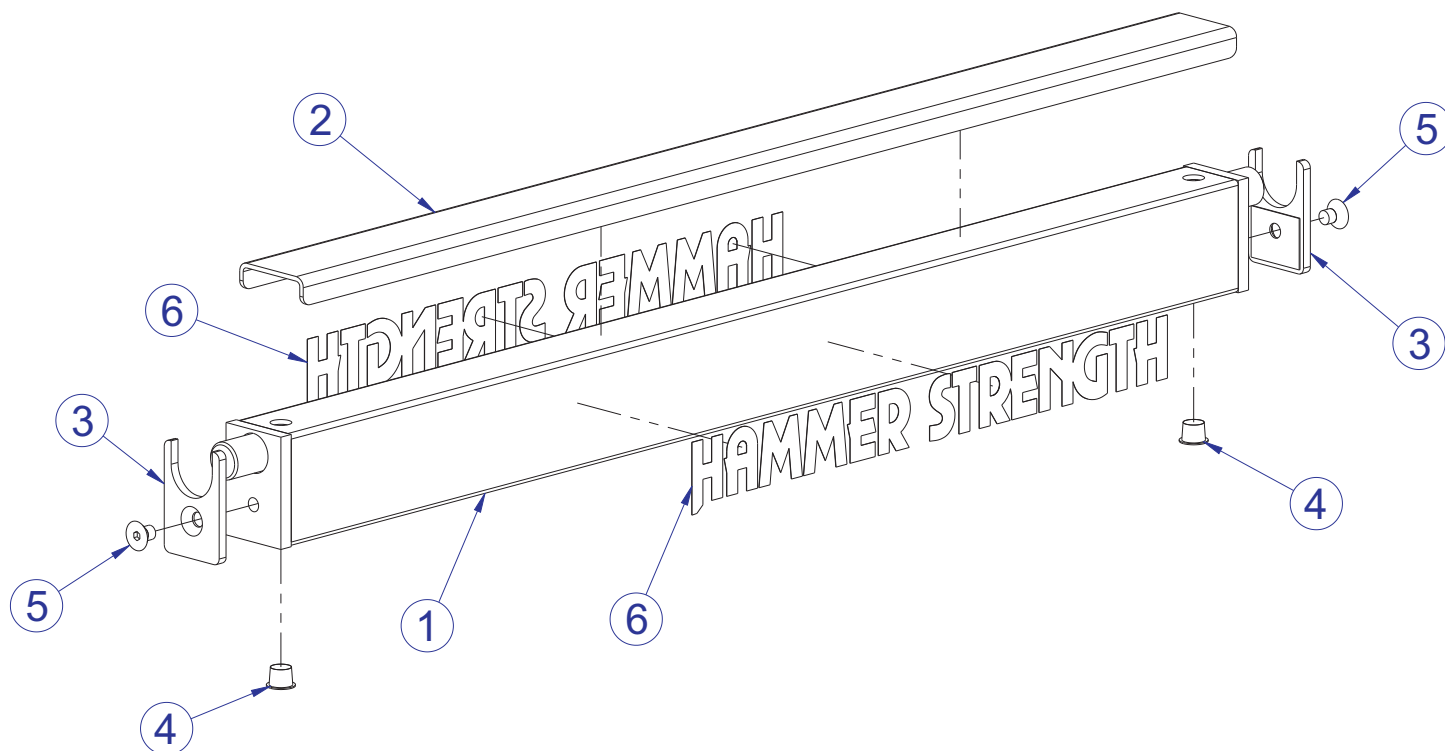
# HDPR8 HEAVY DUTY 8 FOOT POWER RACK

## LEFT BAR SUPPORT ASSEMBLY - HDPR8-CBSL-1



ITEM NO.	QTY.	PART NO.	DESCRIPTION
1	1	HDPR8-BSL-0	WLDMT, BAR SUPPORT LEFT
2	2	HD-BKT-PNT-GRD-02	PAINT GUARD, 10" X 3"
3	1	HD-BKT-PNT-GRD-HOLES-02	PAINT GRD, 10" X 3" w/ 1.5" HOLES
4	1	HD-BS-PNT-GRD-MED-00	BAR SUPT LOWER PNT GRD
5	1	HD-BS-PNT-GRD-SML-02	BAR SUPT SML PNT GRD
6	1	HD-BS-PNT-GRD-LRG-02	BAR SUPT FRT PNT GRD
7	2	RIVET	RIVET 5/32 X 3/8
8	9	3/8 X 1/2 FHSCS	0.375 X 1/2" FLAT HEAD CAP SCREW

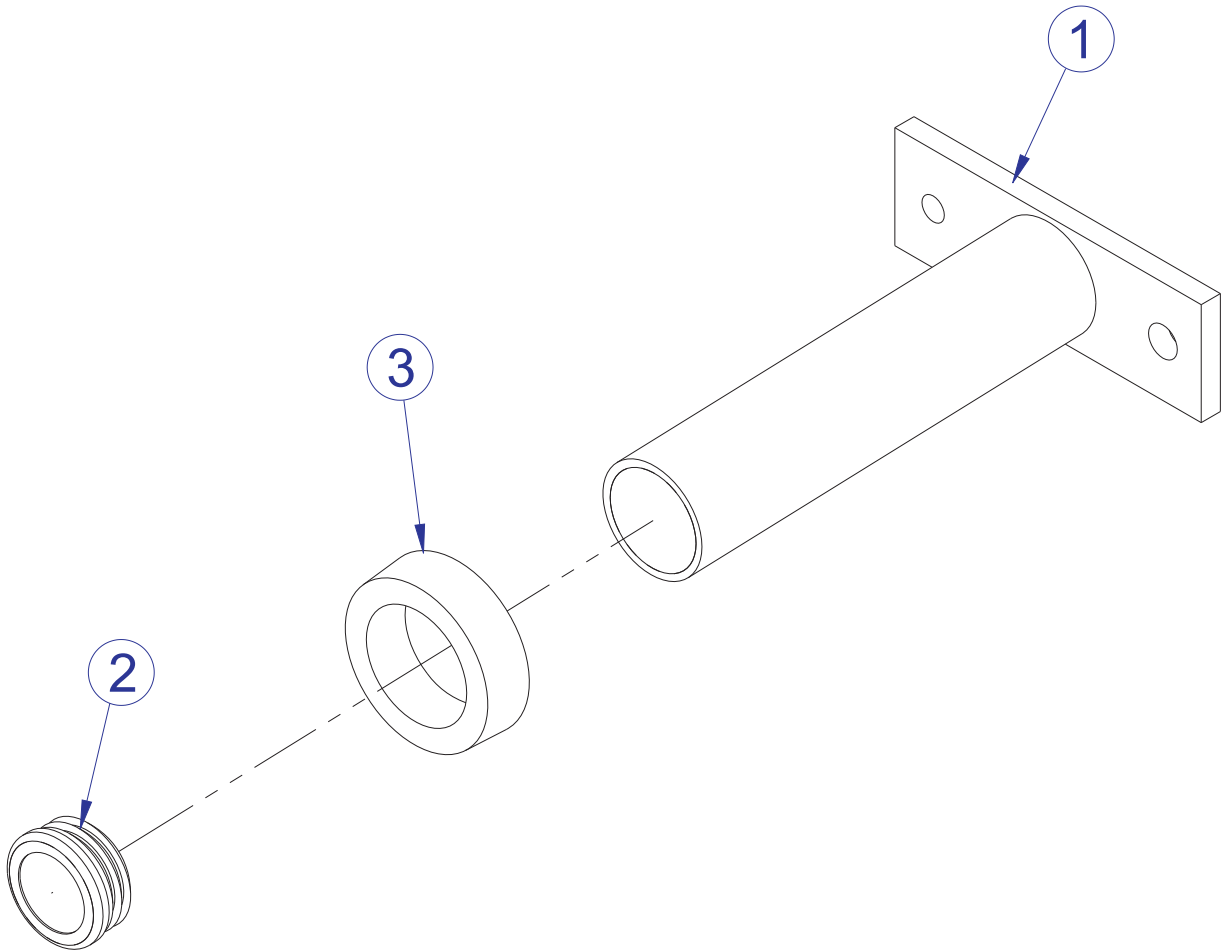
# HDPR8 HEAVY DUTY 8 FOOT POWER RACK BAR CATCH ASSEMBLY - HDPR8-CBC-0



ITEM NO.	QTY.	PART NO.	DESCRIPTION
1	1	HDPR8-BC-0	WLDMT, BAR CATCH
2	1	HD-BC-PNT-GRD-LG-00	PAINT GUARD, BAR CATCH TOP
3	2	HD-BC-PNT-GRD-END-00	PAINT GUARD, BAR CATCH END
4	2	H-LOCK-PLUG	9/16" HOLE PLUG
5	2	3/8 X 1/2 FHSCS	0.375 X 1/2" FLAT HEAD CAP SCREW
6	2	H-DECAL-LOGO	HAMMER STRENGTH LARGE DECAL

# HDPR8 HEAVY DUTY 8 FOOT POWER RACK ANGLED WEIGHT HORN ASSY. - ANG-WT-HORN-ASSY

---



ITEM NO.	QTY.	PART NO.	DESCRIPTION
1	1	ANG-WT-HORN-ASSY	WDMNT, ANGLED WEIGHT HORN
2	1	H-RUBCAP2	PLUG, HAMMER WEIGHT HORN
3	1	H-RUBRNG	MM5 RING

# HDPR8 HEAVY DUTY 8 FOOT POWER RACK IMAGE

---



Shown with HDADJ Bench & HDSP Spotter Platform