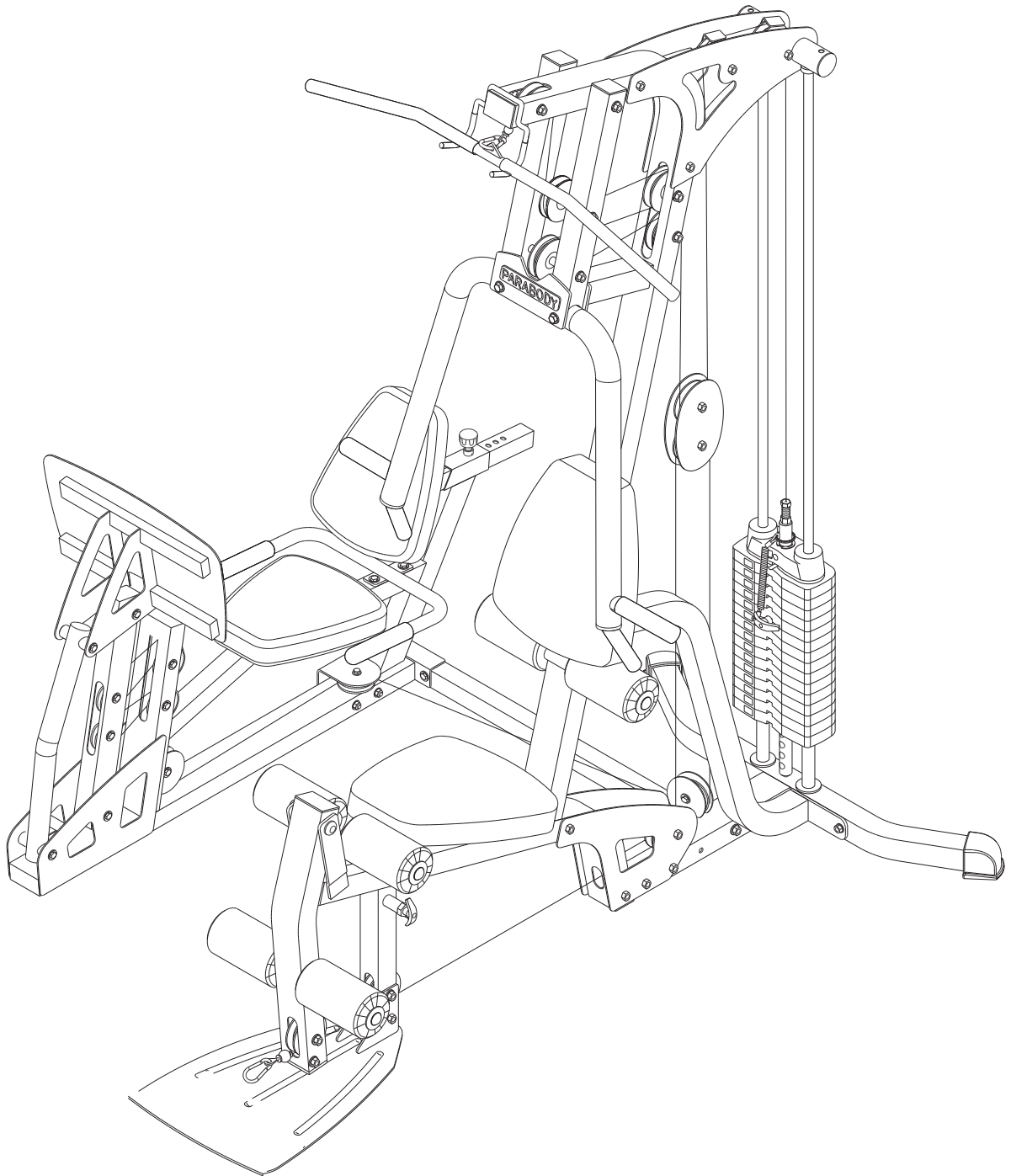




G2-GLPA-001

## G2 CONSUMER GYM LEG PRESS ADAPTER



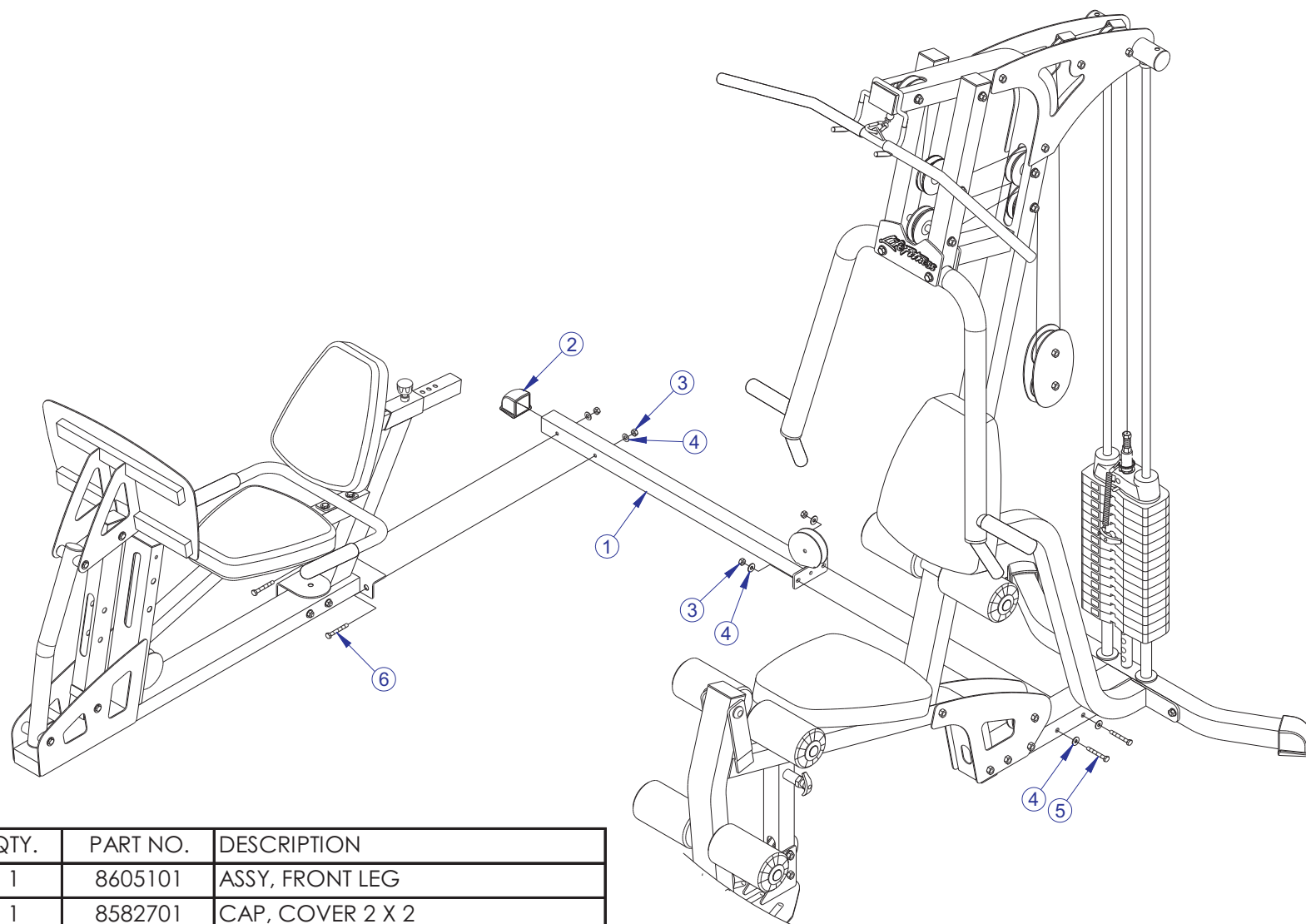
Customer Support Services  
PARTS MANUAL

# G2-GLPA LEG PRESS ADAPTER CONTENTS

---

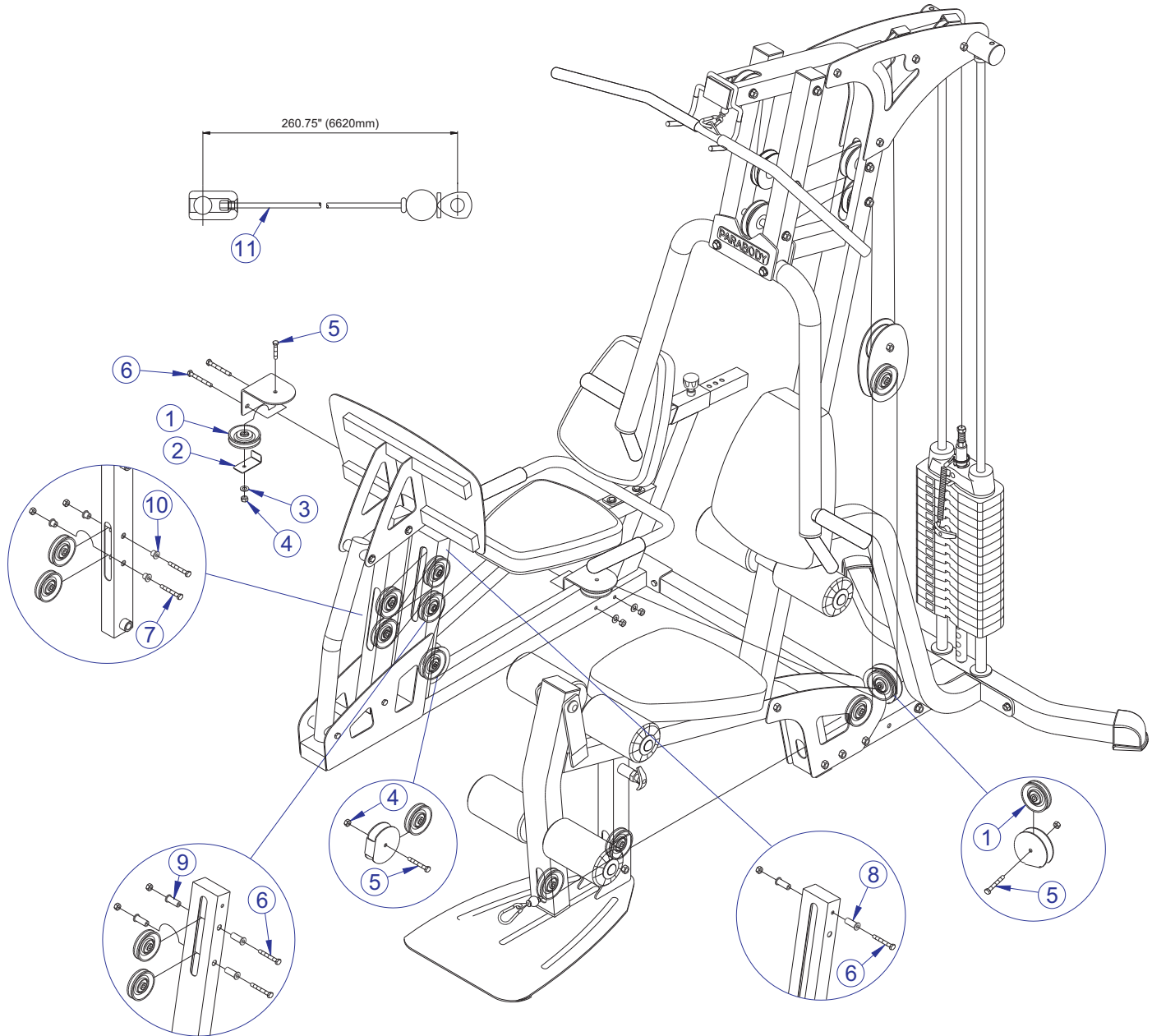
	PAGE
COMPONENT ASSEMBLY I	3
COMPONENT ASSEMBLY II	4
SUPPLIED ACCESSORIES	5
HARDWARE BAG	6

# G2-GLPA LEG PRESS ADAPTER COMPONENT ASSEMBLY I



ITEM NO.	QTY.	PART NO.	DESCRIPTION
1	1	8605101	ASSY, FRONT LEG
2	1	8582701	CAP, COVER 2 X 2
3	4	3102802	VMI NUT, NYLOCK 3/8-16
4	6	3102514	WASHER, FLAT 3/8 IN SAE ST ZN
5	2	3102906	3/8-16X4 UNS HEX FHB G2 ZN
6	2	3102922	3/8-16X2-3/4 UNS HEX FHB G2 ZN

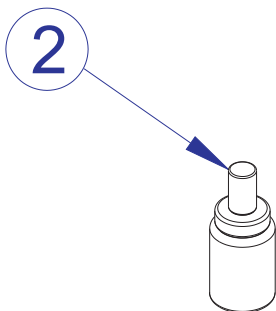
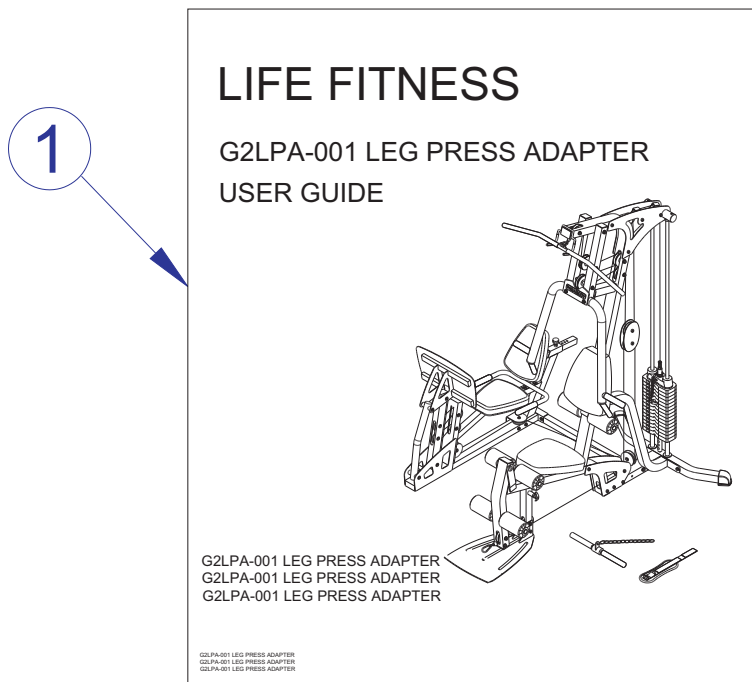
# G2-GLPA LEG PRESS ADAPTER COMPONENT ASSEMBLY II



ITEM NO.	QTY.	PART NO.	DESCRIPTION
1	7	3116201	PULLEY, 3-1/2 OD X 3/8 ID X 1
2	1	8603501	L CABLE RETAINER
3	3	3102514	WASHER, FLAT 3/8 IN SAE ST ZN
4	10	3102802	VMI NUT, NYLOCK 3/8-16
5	3	3102924	3/8-16X1-3/4 UNS HEX FHB G2 ZN
6	5	3102972	.375-16 X 4.75 HEX HEAD BOLT
7	2	3102922	3/8-16X2-3/4 UNS HEX FHB G2 ZN
8	2	8607101	SPACER, STEP 1-11/16
9	4	8607001	SPACER, STEP 1-19/32
10	4	8606901	SPACER, STEP 19/32
11	1	8608201	CABLE, LEG PRESS, G2-GLPA

# G2-GLPA LEG PRESS ADAPTER SUPPLIED ACCESSORIES

---



ITEM NO.	QTY.	PART NO.	DESCRIPTION
1	1	8607201	MANUAL, USER'S, G2-GLPA
2	1	8598401	PAINT, TOUCH UP, PLATINUM

# G2-GLPA LEG PRESS ADAPTER HARDWARE BAG

---

## HARDWARE BAG PART NUMBER

8610101

### BAG CONTAINS:

Item	Description	UOM	Quantity
3102514	WASHER, FLAT 3/8 IN SAE ST ZN	EA	9
3102802	VMI NUT, NYLOCK 3/8-16	EA	14
3102924	3/8-16X1-3/4 UNS HEX FHB G2 ZN	EA	3
3102922	3/8-16X2-3/4 UNS HEX FHB G2 ZN	EA	3
3102906	3/8-16X4 UNS HEX FHB G2 ZN	EA	3
3102972	.375-16 X 4.75 HEX HEAD BOLT	EA	3
8606901	SPACER, STEP 19/32	EA	4
8607001	SPACER, STEP 1-19/32	EA	4
8607101	SPACER, STEP 11/16	EA	2
8607201	MANUAL, USER'S, G2-GLPA	EA	1
8598401	PAINT, TOUCH UP, PLATINUM	EA	1
3116201	PULLEY, 3-1/2 OD X 3/8 ID X 1	EA	7
8603501	L CABLE RETAINER	EA	1
8608201	CABLE, LEG PRESS, G2-GLPA	EA	1