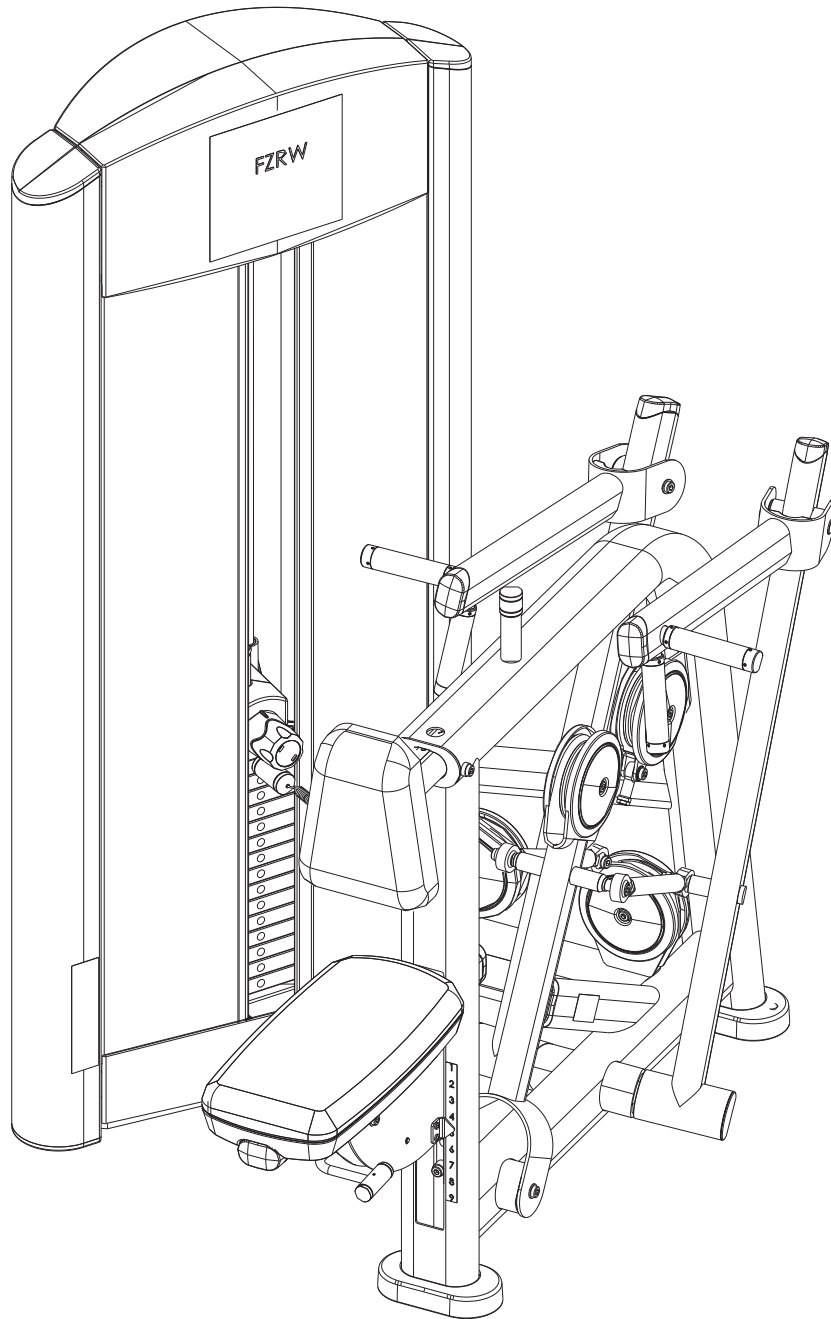




SIGNATURE SERIES
FZRW ROW; REAR DELT

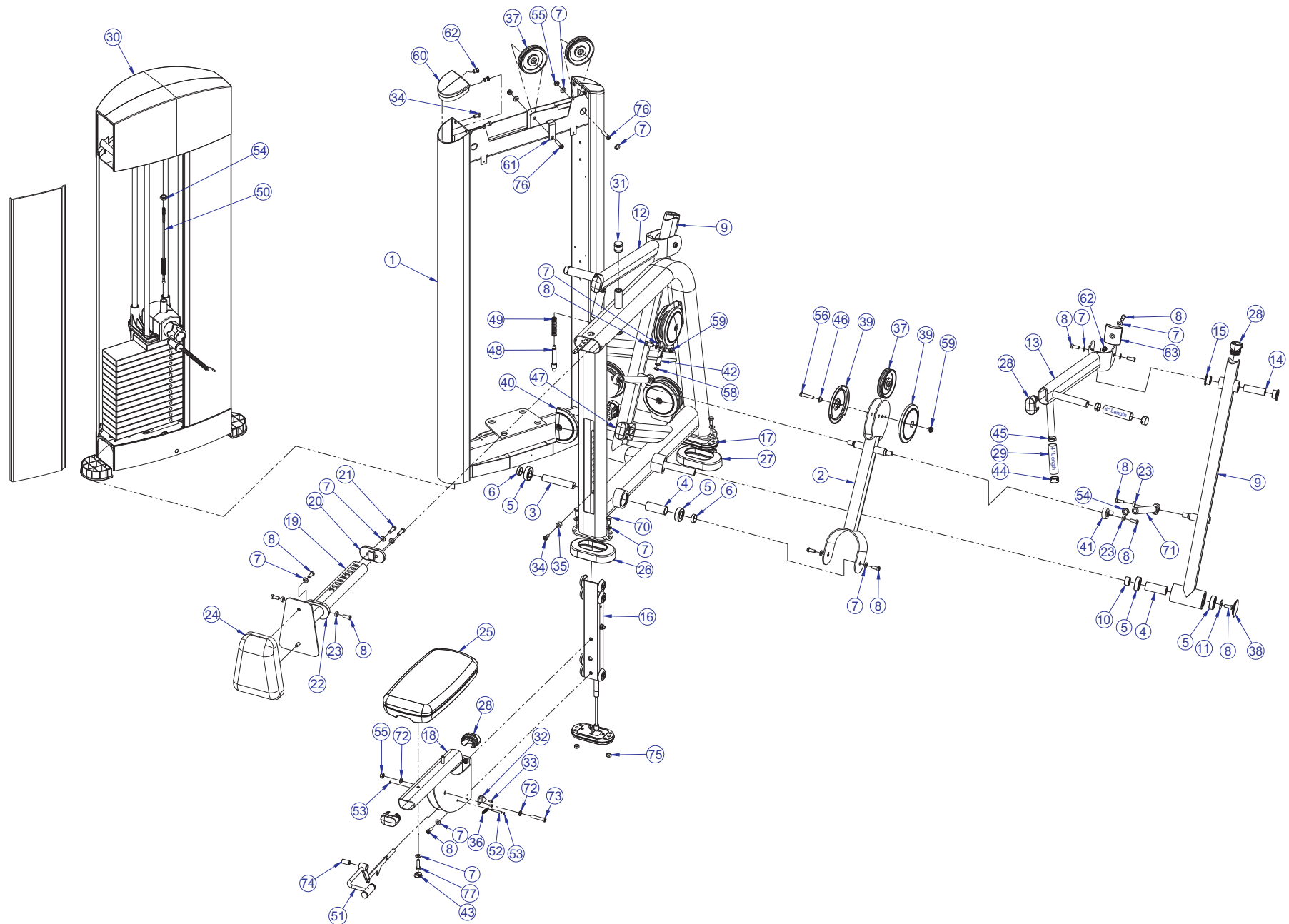


Customer Support Services
PARTS MANUAL

FZRW ROW; REAR DELT CONTENTS

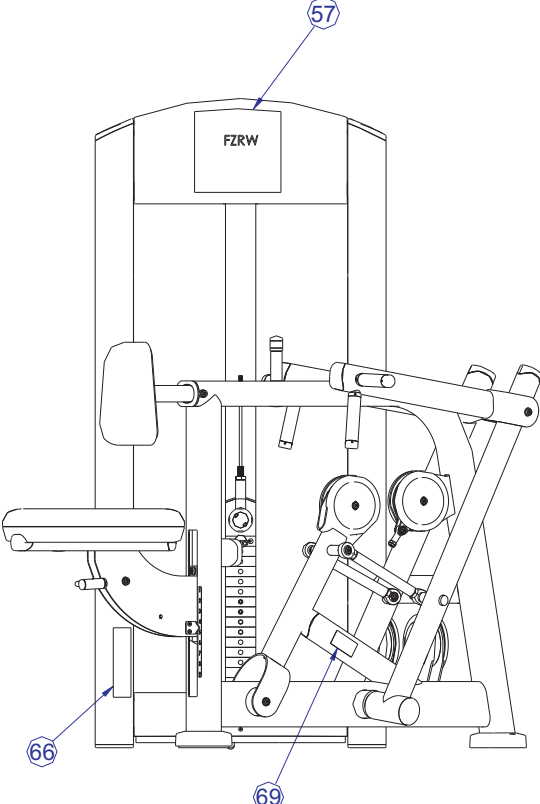
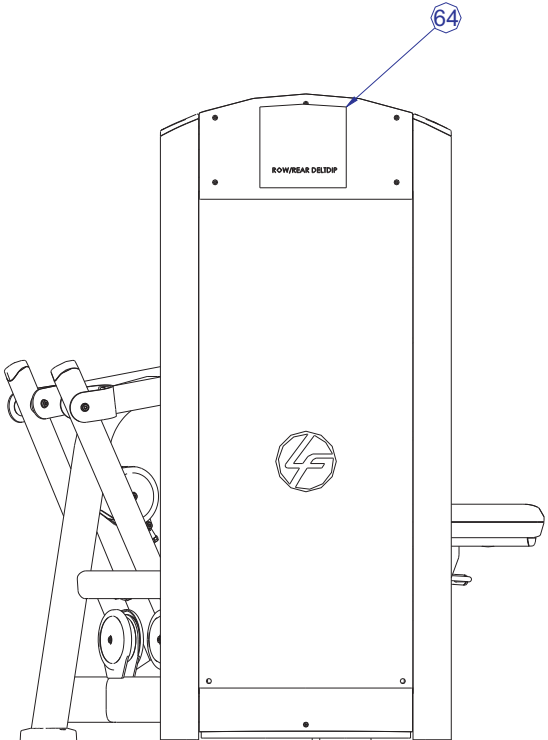
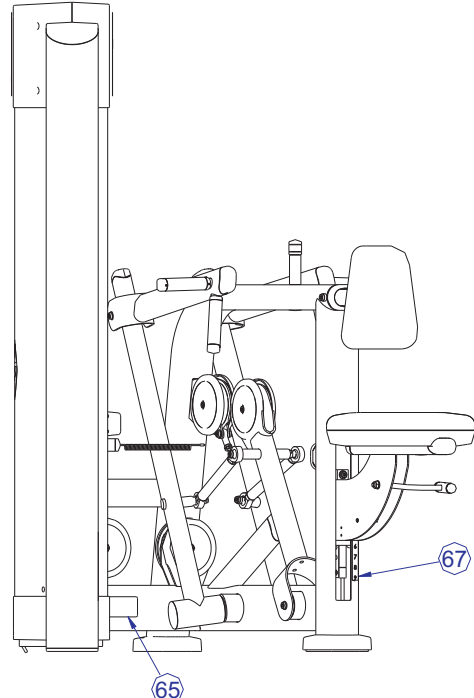
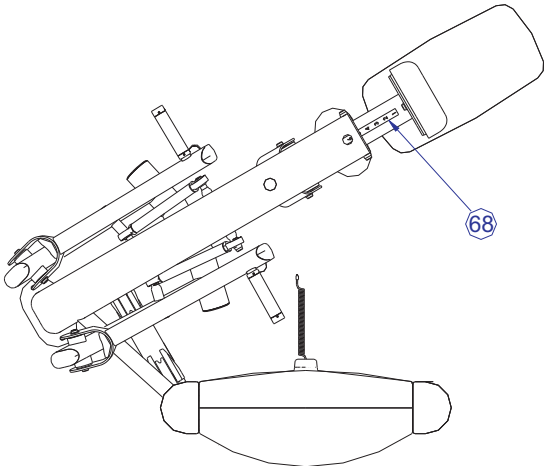
	PAGE
COMPONENT ASSEMBLY	3
COMPONENT ASSEMBLY II	4
COMPONENT ASSEMBLY LEGEND	5
SEAT CARRIAGE ASSEMBLY	6
SEAT CARRIAGE ASSEMBLY LEGEND	7
ADJUSTER HANDLE ASSEMBLY	8
MID-14 TOWER ASSEMBLY	9
PLASTIC TOWER ASSEMBLY	10
MID-14 WEIGHT STACK ASSEMBLY	11
5 LB. INCREMENT WEIGHT ASSEMBLY	12
10 LB. INCREMENT WEIGHT ASSEMBLY	13
15 LB. INCREMENT WEIGHT ASSEMBLY	14
HEAD PLATE ASSEMBLY	15
HEAD PLATE ASSEMBLY LEGEND	16
IMAGE	17

FZRW ROW; REAR DELT COMPONENT ASSEMBLY



SEE PAGE 5 FOR LEGEND

FZRW ROW; REAR DELT COMPONENT ASSEMBLY II

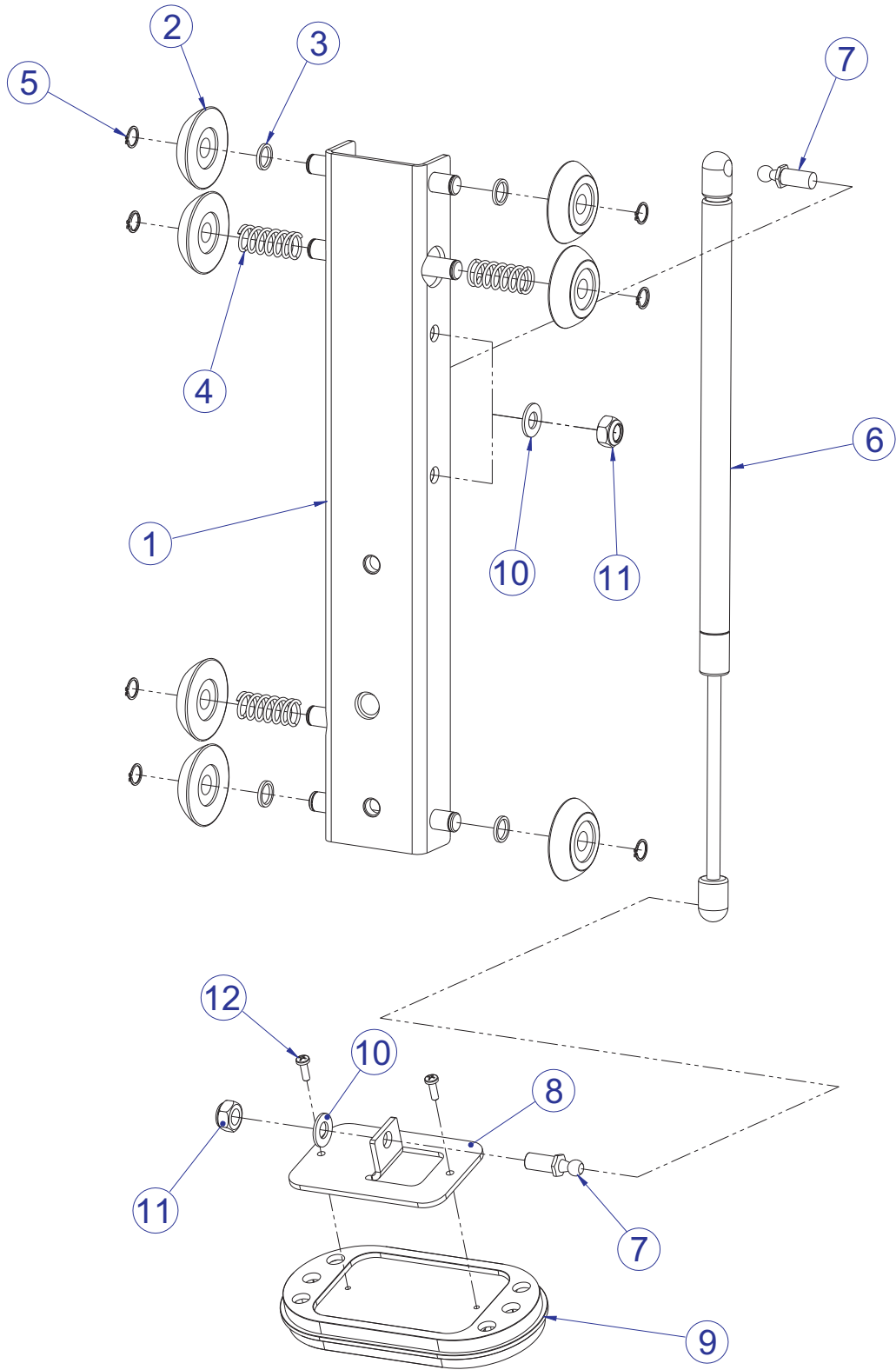


SEE PAGE 5 FOR LEGEND

FZRW ROW; REAR DELT COMPONENT ASSEMBLY LEGEND

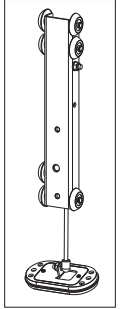
ITEM NO.	QTY.	PART NO.	DESCRIPTION				
1	1	7439301	WLDMT, FZRW FRAME	39	6	8104501	COVER, PULLEY-BOLTED NOTCHED
2	1	7440701	WLDMT, FZRW PIVOT ARM	40	2	8094101	COVER, PULLEY-BOLTED PARTIAL
3	1	7316502	SHAFT, 25MM X 5.250	41	4	3238701	ROD END, METRIC MALE
4	3	7330003	SPACER, INTERNAL X 3.265	42	1	3237901	ROD END, METRIC FEMALE
5	6	3235601	BEARING, 6205 BALL	43	3	3237403	PLUG, 1" HOLE
6	2	7330001	SPACER, INTERNAL X .403	44	4	7662901	CAP, GRIP 1.25 OD
7	24	3236601	WASHER, 3/8 SAE SS	45	4	7662801	RING, GRIP 1.25 OD
8	21	3236202	SCREW, M10 X1.5 25MM	46	4	7630101	RETAINER, CM/MJ, PULLEY
9	2	7440101	WLDMT, FZRW WORK ARM	47	2	7317901	STOP, BUMPER
10	2	7330002	SPACER, INTERNAL X .653	48	1	7351301	PIN, PULL X 4.375
11	2	3236701	WASHER, FENDER 3/8" ID X 1.5" OD SS	49	1	7351501	SPRING; PULL PIN LARGE
12	1	7440901	WLDMT, FZRW HANDLE LH	50	1	7423607	CABLE, FZRW
13	1	7441301	WLDMT, FZRW HANDLE RH	51	1	7778201	ASSY, FZRW ADJUSTER HANDLE
14	2	7324901	SHAFT, TAPPED 1 DIA X 3.330	52	1	7407502	PIN, LINK
15	4	3104903	1.00" ID 1.25" OD BRONZ BUSHING	53	2	3232401	RING, RETAINING, EXTERNAL
16	1	7911101	ASSY, SEAT CARRIAGE	54	5	3236902	NUT, M16 X 2 HEX JAM SS
17	1	7334001	FOOT, 2.50 X 4.49 FLOV	55	3	3236801	NUT, M10 HEX NYLOCK SS
18	1	7443901	WLDMT, FZRW SEAT	56	4	3236207	SCREW, M10 X1.5 50MM
19	1	7441501	WLDMT, FZRW CHEST PAD SUPP	57	1	7508101	LABEL, FZRW PLACARD
20	1	7561101	GLIDE, 2.50 X 4.49 FLOV INT	58	1	3236901	NUT, M10 X 1.5 JAM
21	2	3236204	SCREW, M10 X1.5 35MM	59	5	7335401	NUT, M10 X 1.5 SOCKET HEAD
22	1	7561001	GLIDE, 2.50 X 4.49 FLOV EXT	60	2	7326201	CAP, D-TUBE - TOP
23	6	7385201	SPACER, .406 X .750 X .250	61	1	6757701	CLIP, CABLE 2-7/8 X 1 X 1
24	1	73994XX	PAD, CHEST 10 X 7-5/8	62	6	3238601	M10X1.5 THREADED INSERT (HEX)
25	1	74689XX	PAD 18 X 9 CONVEX	63	2	7470001	BUMPER, ARM STOP
26	1	7340201	COVER, FOOT - STRAIGHT	64	1	7508201	LABEL, FZAB PLACARD
27	1	7419701	COVER, FOOT 10 DEG	65	1	7571301	LABEL, SERIAL NUMBER
28	6	7333801	CAP, SMALL FLOV- END	66	1	7422004	LABEL, 2" ASTM WARN
29	4	3235801	GRIP, TBC	67	1	7524501	LABEL, 1-9 STRAIGHT
30	1	7420401	ASSY, MID TOWER-14	68	1	7524601	LABEL, 9-1 STRAIGHT
31	1	7424801	KNOB, POP PIN	69	1	7422003	LABEL, MOVING PARTS
32	1	7425295	BRKT, SEAT INDICATOR	70	4	3251202	SCREW, M10 X1.5 X 25MM HEX ST ZN
33	2	3239101	SCREW, M5X10 PHL PAN TT ST	71	2	7318001	TIE ROD, 1 X 8
34	5	3236201	SCREW, M10 X1.5 20MM	72	2	7776401	SPACER, FLANGE .406 X .495 X .81
35	1	7385203	SPACER, .406 X .750 X .500	73	1	3236208	SCREW, M10 X1.5 55MM
36	1	3239201	SPRING, EXT, .375 X .049 X 2.00	74	1	7776501	SHAFT, .625 X .406 X 1.200
37	6	3237801	PULLEY, 4.5" OD	75	4	3254703	NUT, M10 X 1.5 HEX ZINC
38	2	7308701	CAP, BEARING HOUSING	76	2	3236206	SCREW, M10 X1.5 45MM
				77	2	3251204	SCREW, M10 X1.5 X 35MM HEX ST ZN

FZRW ROW; REAR DELT SEAT CARRIAGE ASSEMBLY - 7911101



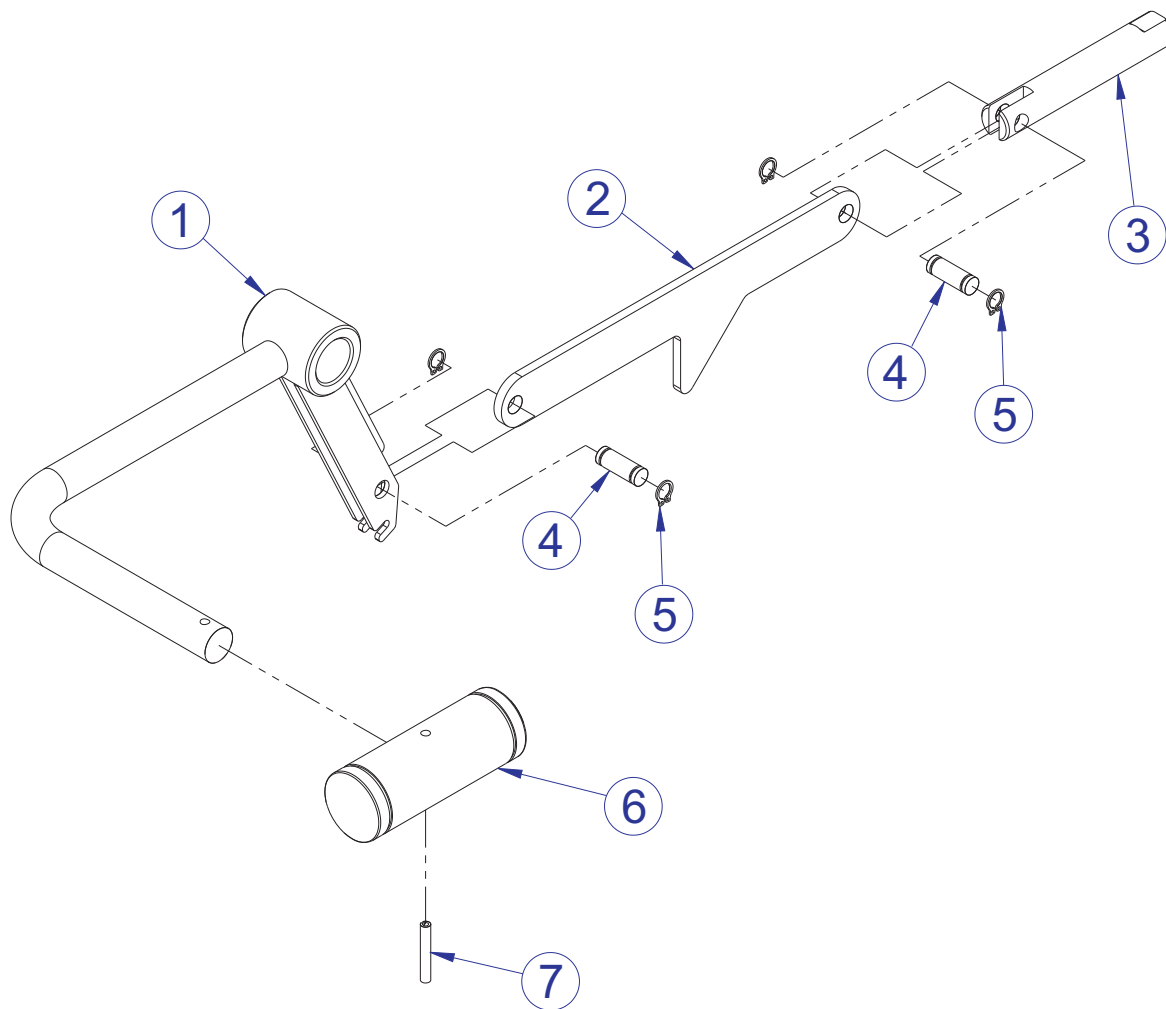
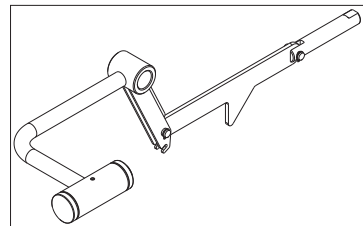
SEE PAGE 7 FOR LEGEND

FZRW ROW; REAR DELT SEAT CARRIAGE ASSEMBLY LEGEND



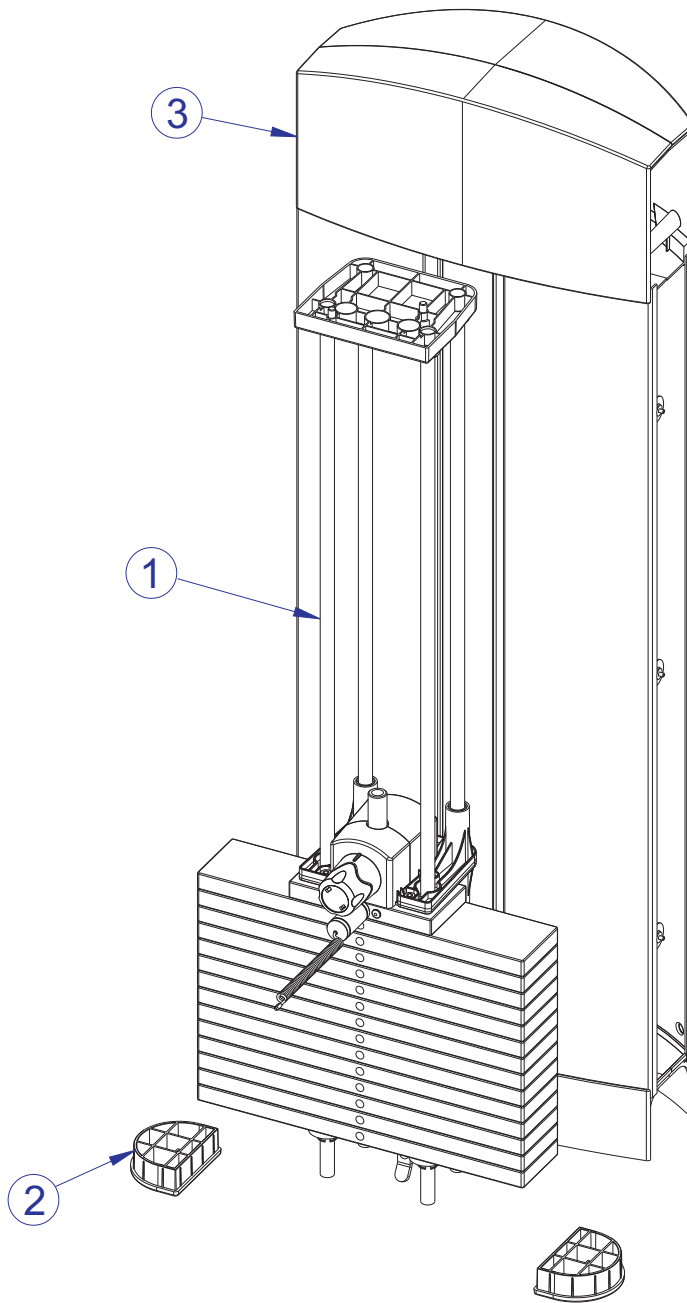
ITEM NO.	QTY.	PART NO.	DESCRIPTION
1	1	7911295	WLDMT, SEAT CARRIAGE SHDW GRAY
2	7	7889701	ROLLER, SEAT CARRIAGE
3	4	7911901	SPACER, .625 DIA X 16 GA.
4	3	7912001	SPRING, SEAT CARRIAGE
5	7	3232408	RING, BRE .443, 5100-46, ST,PP,B
6	1	3235700	SPRING, GAS 80N
7	2	7414301	STUD, M10 BALL END M10 X 1.5
8	1	7339401	BRACKET, GAS SPRING
9	1	7334001	FOOT, 2.50 X 4.49 FLOV
10	2	3236601	WASHER, 3/8 SAE SS
11	2	3236801	NUT, M10 HEX NYLOCK SS
12	2	3241201	M4 PHL PAN F ST ZN

FZRW ROW; REAR DELT ADJUSTER HANDLE ASSEMBLY - 7778201



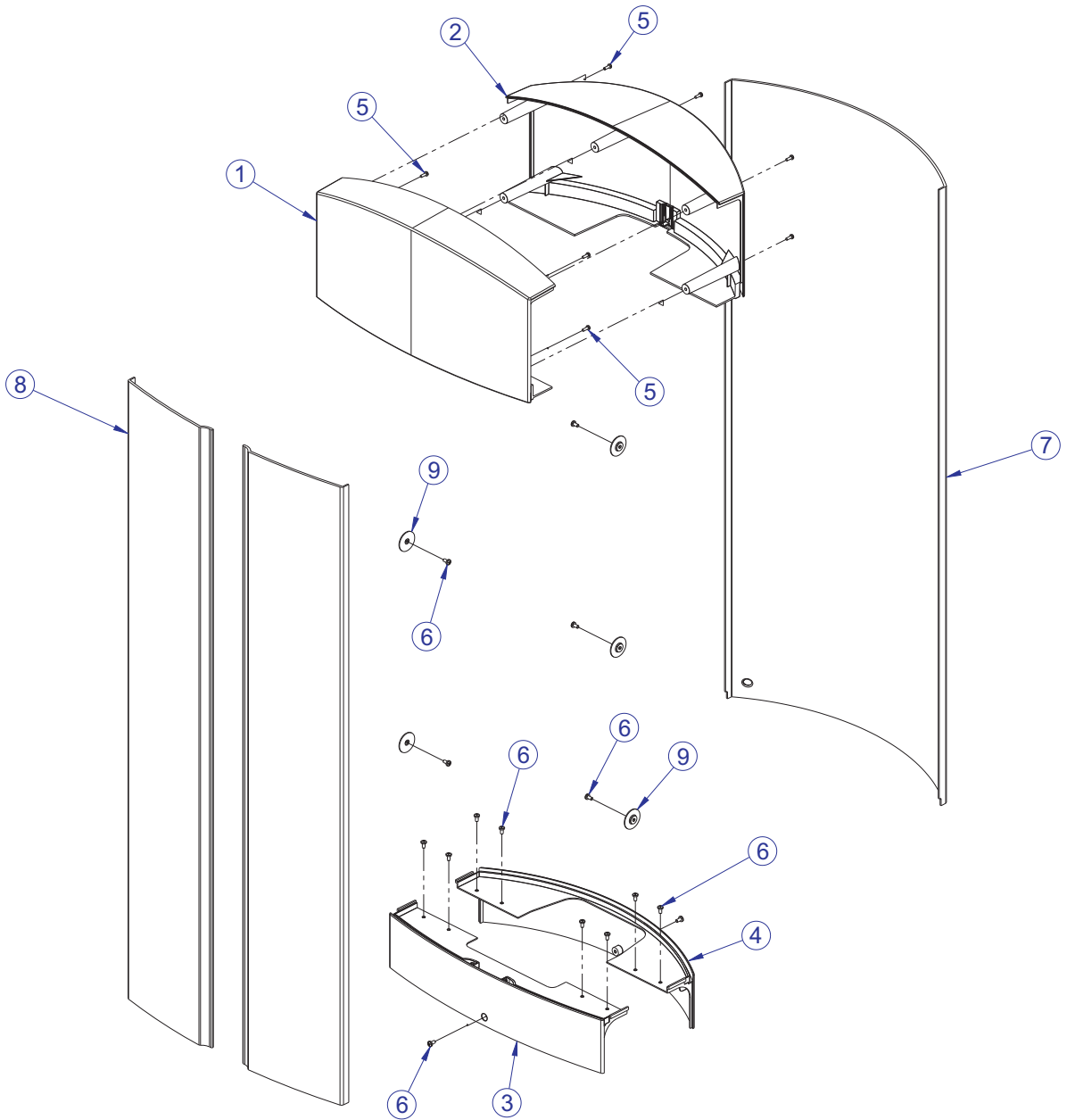
ITEM NO.	QTY.	PART NO.	DESCRIPTION
1	1	7469295	WLDMT, FZ SEAT ADJ HANDLE SHADOW GRAY
2	1	7331801	LINK, ADJUSTER
3	1	7331601	PIN, INDEX
4	2	7407501	PIN, LINK
5	4	3232401	RING, RETAINING, EXTERNAL
6	1	7287901	HANDLE, ADJUSTER
7	1	3110010	ROLL PIN, 1/8 X 7/8

FZRW ROW; REAR DELT MID-14 TOWER ASSEMBLY - 7420401



ITEM NO.	QTY.	PART NO.	DESCRIPTION
1	1	7420101	ASSY, WEIGHT STACK MID-14
2	2	7326301	CAP, D-TUBE-BTM
3	1	7419801	ASSY, TOWER PLASTICS-MID

FZRW ROW; REAR DELT PLASTIC TOWER ASSEMBLY - 7419801

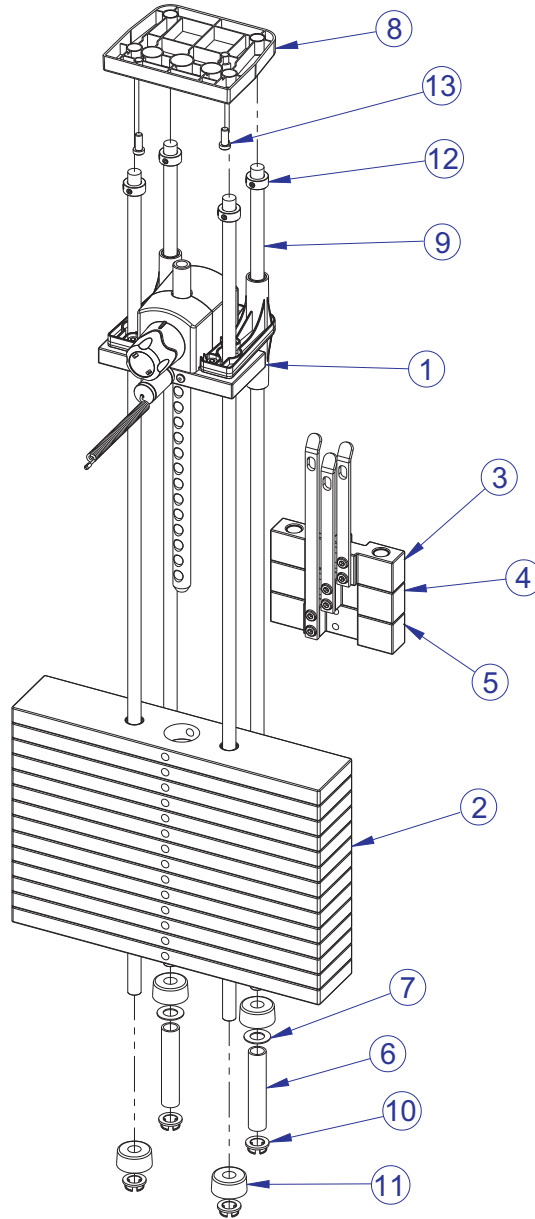


ITEM NO.	QTY.	PART NO.	DESCRIPTION
1	1	7318601	COVER, TOWER- TOP FRONT
2	1	7318701	COVER, TOWER- TOP REAR
3	1	7318801	COVER, TOWER- BOTTOM FRONT
4	1	7318901	COVER, TOWER- BOTTOM REAR
5	9	3236501	M4 X 0.7 PHL PAN MS ST ZN
6	16	3239101	SCREW, M5X10 PHL PAN TT ST
7	1	7765701	SHROUD, TOWER- REAR SHORT
8	2	7765601	SHROUD, TOWER- FRT SHORT RH
9	6	7583501	RETAINER, FZ SHROUD

FZRW ROW; REAR DELT MID-14 WEIGHT STACK ASSEMBLY - 7420101

WEIGHT STACK LABELS

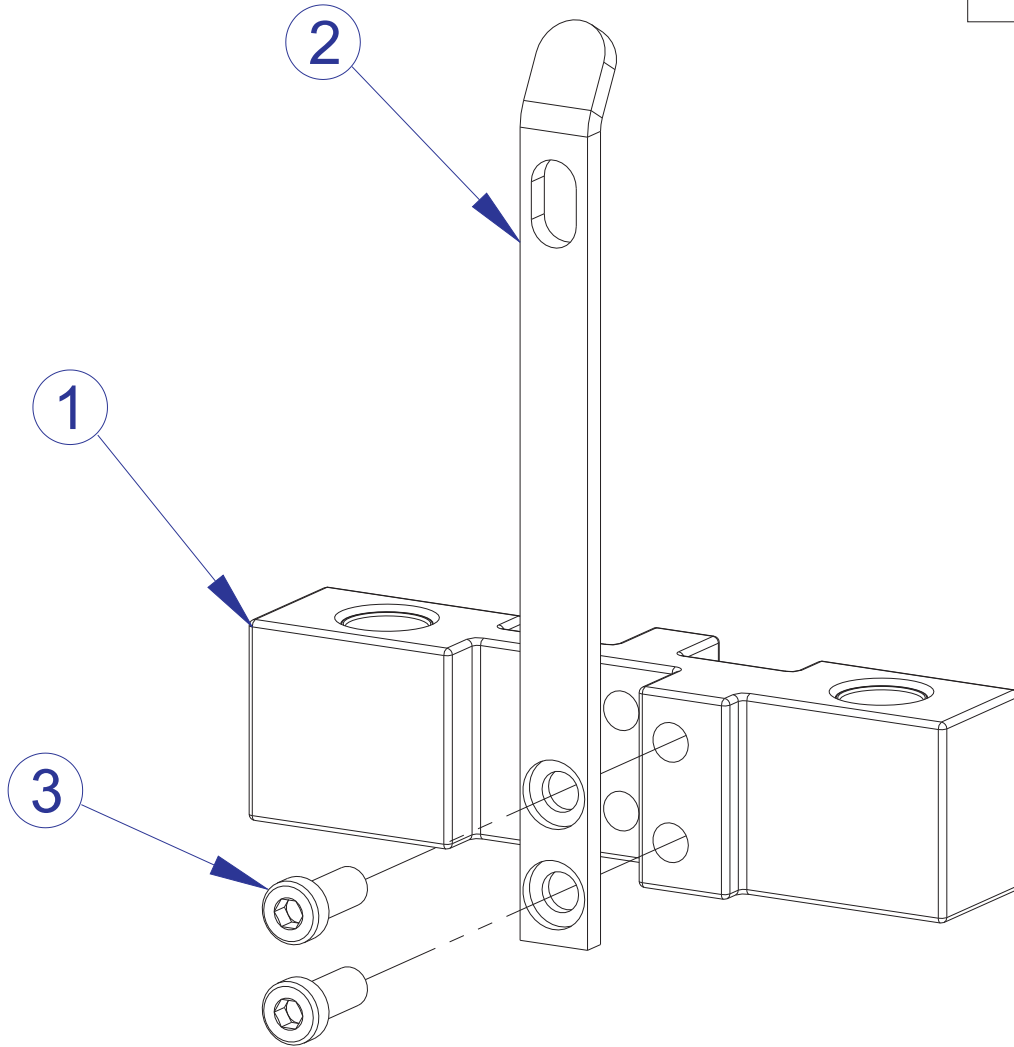
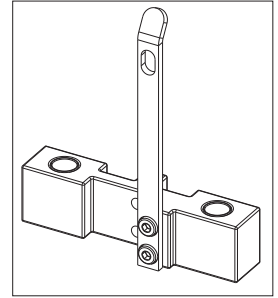
7927201	LABEL, 390 LB STACK
7927301	LABEL, 195 KG STACK



ITEM NO.	QTY.	PART NO.	DESCRIPTION
1	1	7350701	ASSY, HEAD PLATE (14)
2	14	7328401	WEIGHT PLATE, 20 LB
3	1	7327601	ASSY, INCREMENT WT-5LB
4	1	7327701	ASSY, INCREMENT WT-10LB
5	1	7327801	ASSY, INCREMENT WT-15LB
6	2	7328701	SPACER, INC WT STACK 14 PLT
7	2	7351001	SPACER, INC WT STACK
8	1	7621101	RETAINER, GUIDE ROD-TOP
9	4	7328602	GUIDE ROD, .75 OD SOLID X 53.50
10	4	7337901	BUSHING, GUIDE ROD
11	4	7352101	CUSHION, WEIGHT STACK
12	4	3103301	SHAFT COLLAR, 3/4" ID ZINC
13	2	3236202	M10 X 1.5 X 25 HXS SOC CS SS

FZRW ROW; REAR DELT

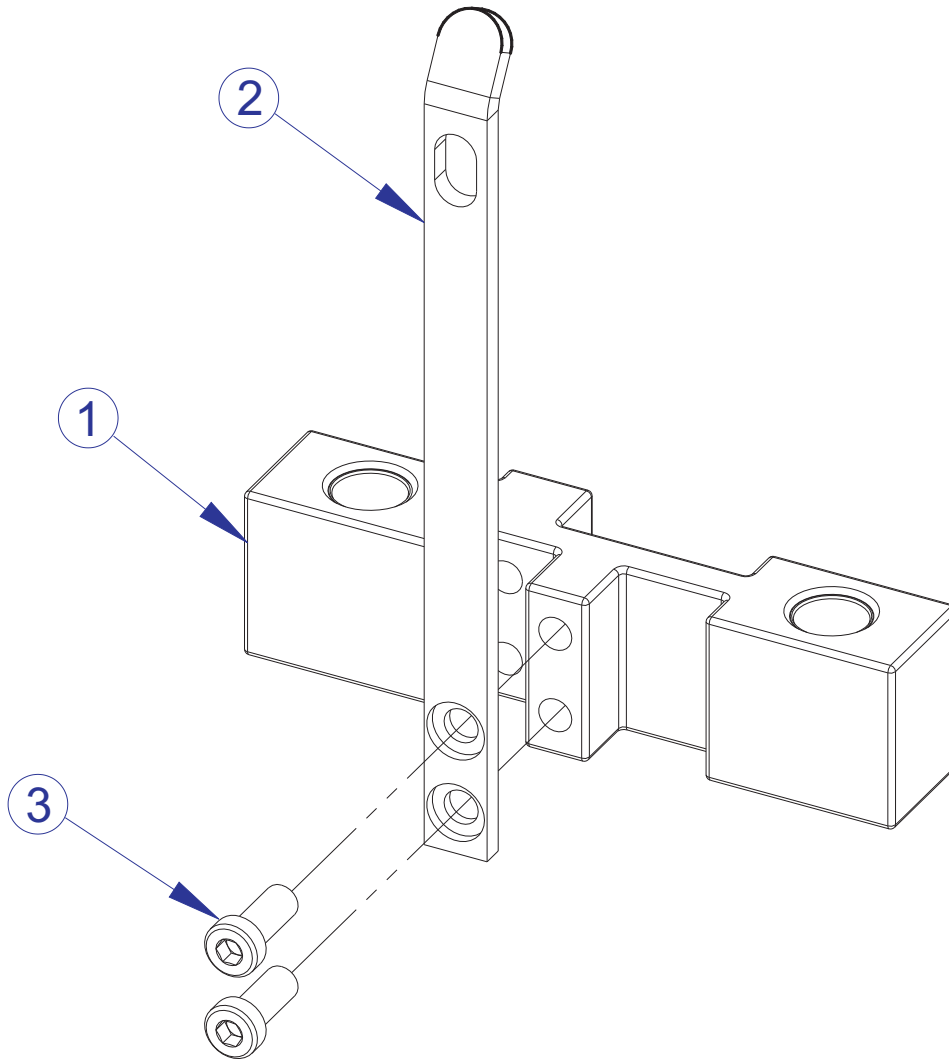
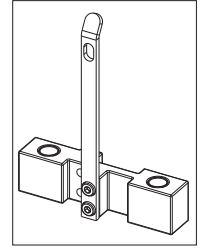
5 LB. INCREMENT WEIGHT ASSEMBLY - 7327601



ITEM NO.	QTY.	PART NO.	DESCRIPTION
1	1	7968501	ASSY, FZ INC WEIGHT 5LB
2	1	7328001	BRKT, INCREMENT WT - 5 LB
3	2	3236202	SCREW, M10 X1.5 25MM

FZRW ROW; REAR DELT

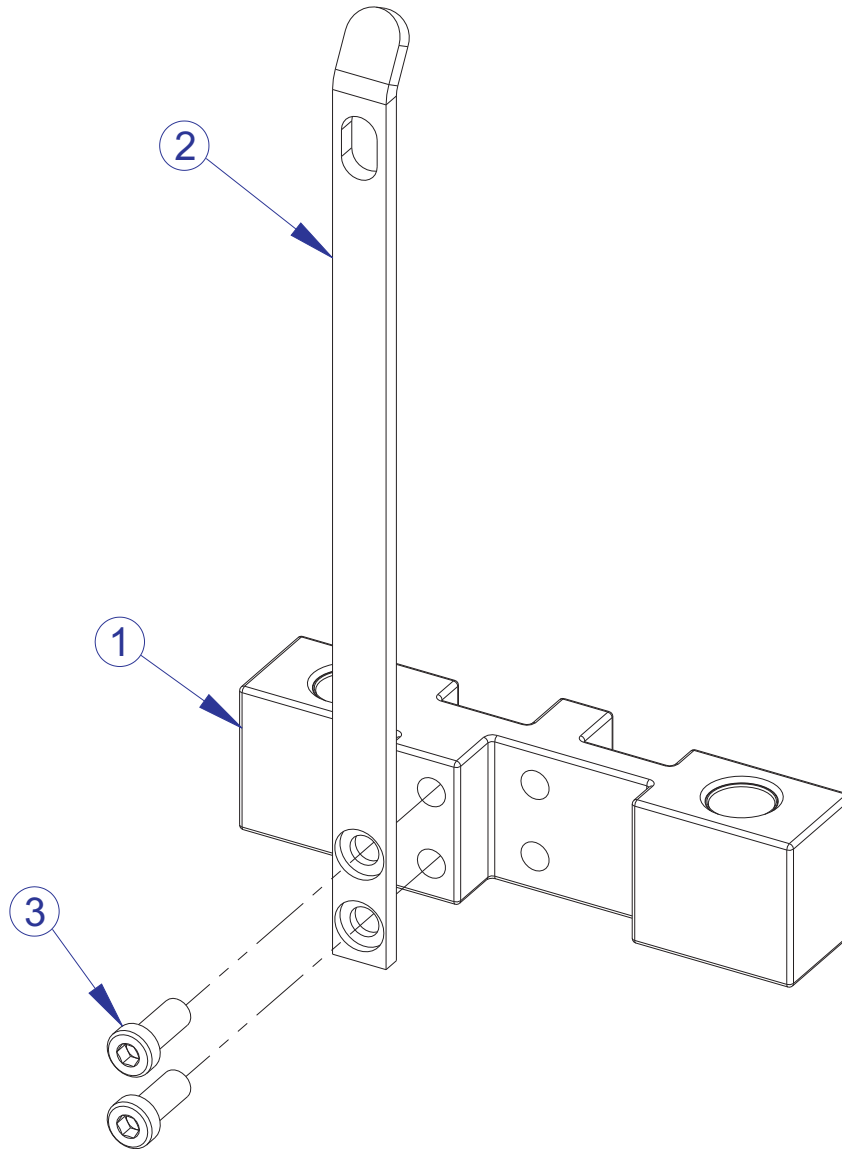
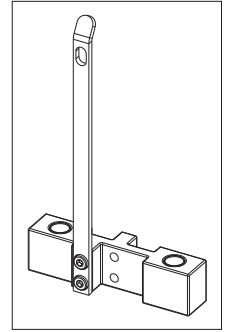
10 LB. INCREMENT WEIGHT ASSEMBLY - 7327701



ITEM NO.	QTY.	PART NO.	DESCRIPTION
1	1	7968501	ASSY, FZ INC WEIGHT 5LB
2	1	7328101	BRKT, INCREMENT WT - 10 LB
3	2	3236202	SCREW, M10 X1.5 25MM

FZRW ROW; REAR DELT

15 LB. INCREMENT WEIGHT ASSEMBLY - 7327801

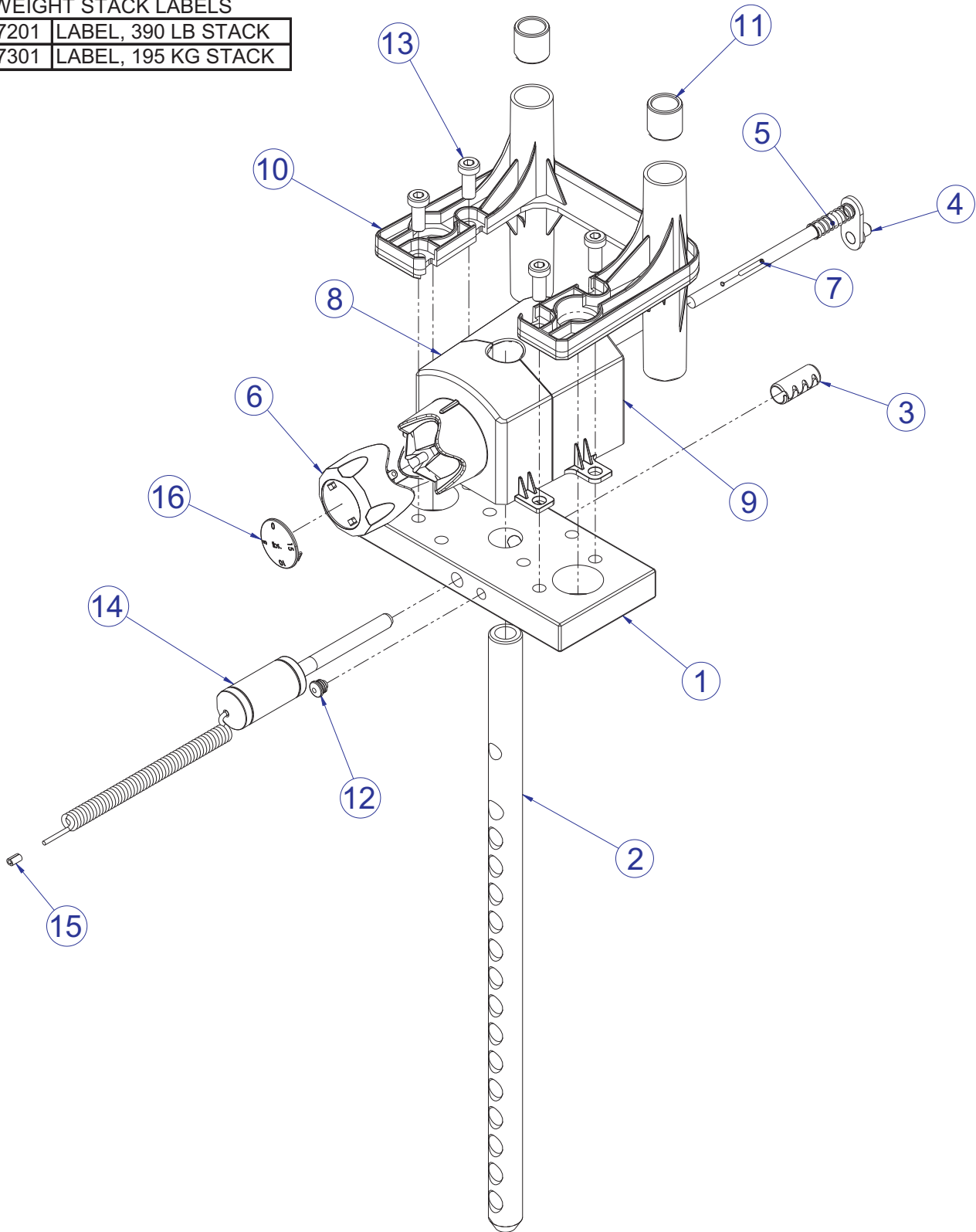


ITEM NO.	QTY.	PART NO.	DESCRIPTION
1	1	7968501	ASSY, FZ INC WEIGHT 5LB
2	1	7328201	BRKT, INCREMENT WT - 15 LB
3	2	3236202	SCREW, M10 X1.5 25MM

FZRW ROW; REAR DELT HEAD PLATE ASSEMBLY - 7350701

WEIGHT STACK LABELS

7927201	LABEL, 390 LB STACK
7927301	LABEL, 195 KG STACK



SEE PAGE 16 FOR LEGEND

FZRW ROW; REAR DELT HEAD PLATE ASSEMBLY LEGEND

ITEM NO.	QTY.	PART NO.	DESCRIPTION
1	1	7326701	HEAD PLATE
2	1	7347801	STEM, 9 PLATE
3	1	3236001	BUSHING, SPRING PIN
4	1	7327201	WLDMT, INCREMENT WT PIN
5	1	8024501	SPRING, 1/2 OD X 1-1/2
6	1	7326101	KNOB, INC WT SELECTOR
7	1	3110008	ROLL PIN, 1/8 X 1-1/4
8	1	7326401	HOUSING, SELECTOR - FRONT
9	1	7326501	HOUSING, SELECTOR - REAR
10	1	7362101	STABILIZER, HEAD PLATE
11	4	7459601	BUSHING, HEAD PLT STABILIZER
12	1	7356501	PLUG, LANYARD ATTACHMENT
13	4	3236202	SCREW, M10 X1.5 25MM
14	1	7338101	ASSY, WT STACK SELECTOR PIN
15	1	7523601	CRIMP, CABLE
16	1	7398601	CAP, SELECTOR KNOB, LBS
	OR		
	1	7398701	CAP, SELECTOR KNOB, KG

FZRW ROW; REAR DELT IMAGE

