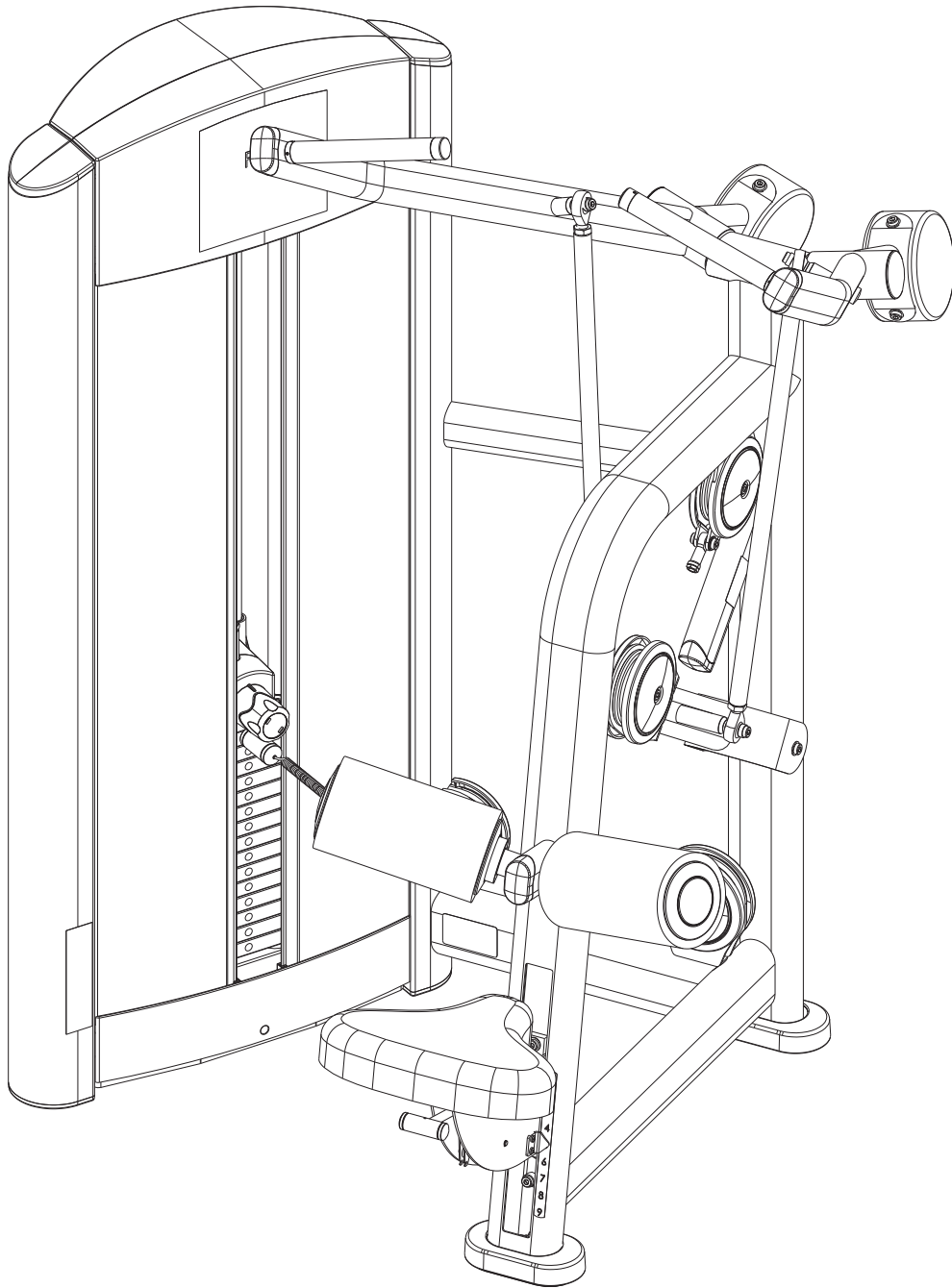




SIGNATURE SERIES
FZPD PULL DOWN

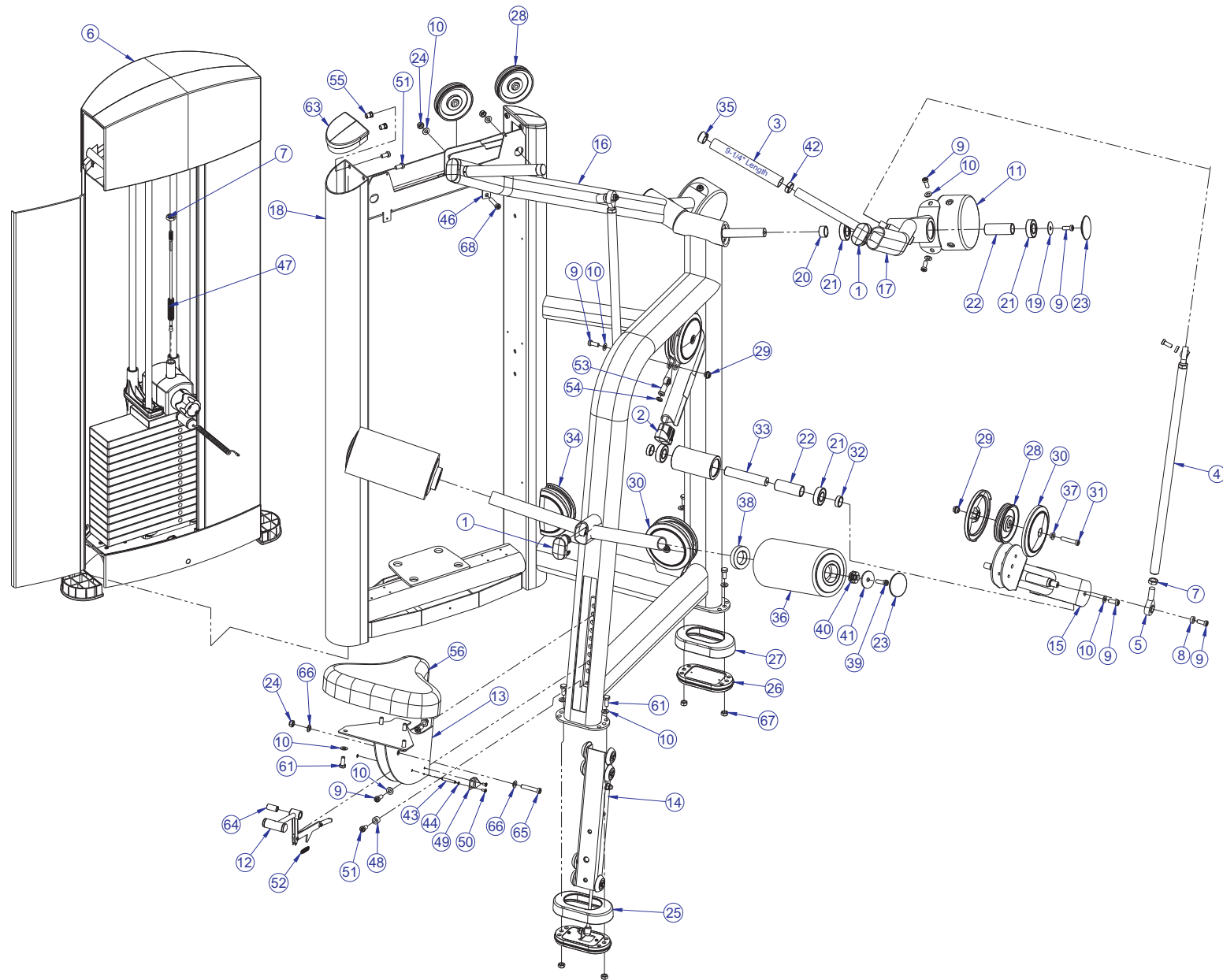


Customer Support Services
PARTS MANUAL

FZPD PULL DOWN CONTENTS

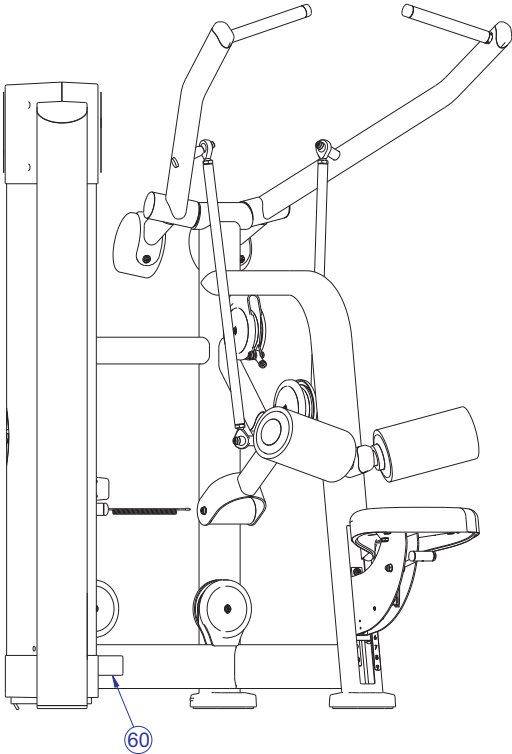
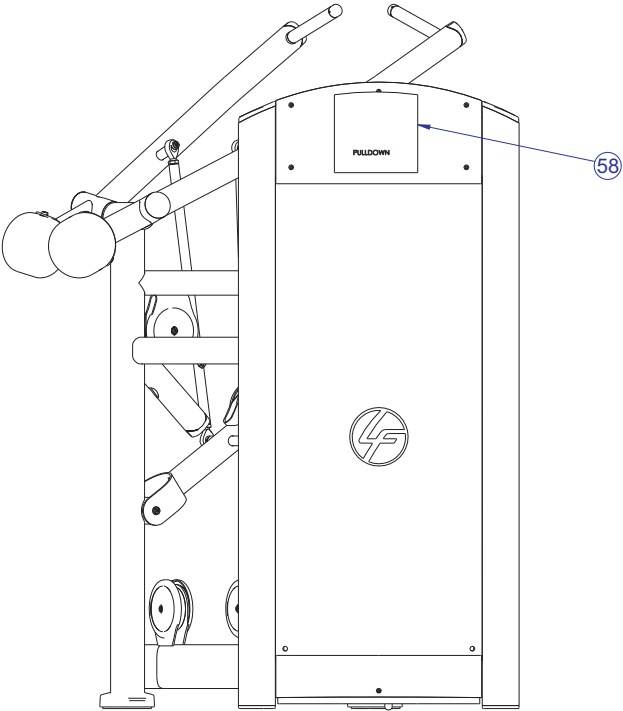
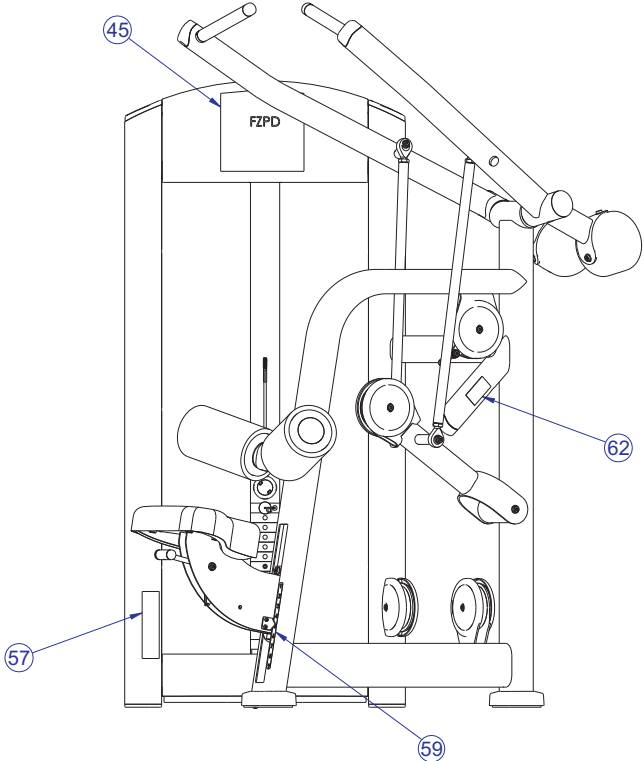
	PAGE
COMPONENT ASSEMBLY	3
COMPONENT ASSEMBLY II	4
COMPONENT ASSEMBLY LEGEND	5
SEAT CARRIAGE ASSEMBLY	6
SEAT CARRIAGE ASSEMBLY LEGEND	7
ADJUSTER HANDLE ASSEMBLY	8
MID-14 TOWER ASSEMBLY	9
PLASTIC TOWER ASSEMBLY	10
MID-14 WEIGHT STACK ASSEMBLY	11
5 LB. INCREMENT WEIGHT ASSEMBLY	12
10 LB. INCREMENT WEIGHT ASSEMBLY	13
15 LB. INCREMENT WEIGHT ASSEMBLY	14
HEAD PLATE ASSEMBLY	15
HEAD PLATE ASSEMBLY LEGEND	16
IMAGE	17

FZPD PULL DOWN COMPONENT ASSEMBLY



SEE PAGE 5 FOR LEGEND

FZPD PULL DOWN COMPONENT ASSEMBLY II

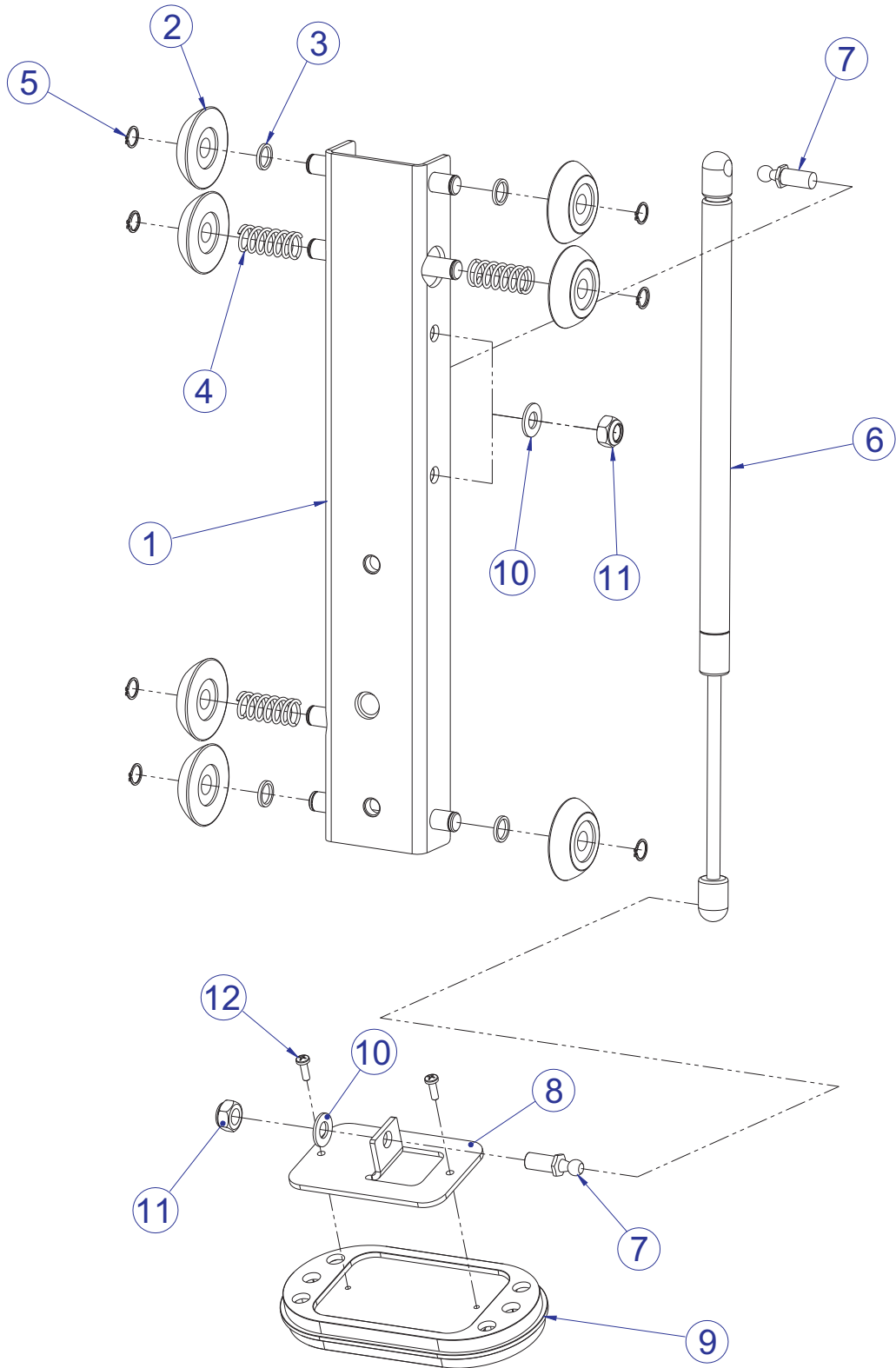


SEE PAGE 5 FOR LEGEND

FZPD PULL DOWN COMPONENT ASSEMBLY LEGEND

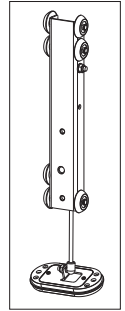
ITEM NO.	QTY.	PART NO.	DESCRIPTION	ITEM NO.	QTY.	PART NO.	DESCRIPTION
1	3	7333801	CAP, SMALL FLOV- END	35	2	7662901	CAP, GRIP 1.25 OD
2	1	7317901	STOP, BUMPER	36	2	74247XX	ASSY, ROLLER PAD - SHORT
3	2	3235801	GRIP, SHADOW GRAY 1.25 OD X 9.25	37	4	7630101	RETAINER, CM/MJ, PULLEY
4	2	7318004	TIE ROD, 1 X 27	38	2	7357901	SHAFT COLLAR, 1-1/2" ID ALUM
5	4	3238701	ROD END, METRIC MALE	39	2	3236204	SCREW, M10 X1.5 35MM
6	1	7420401	ASSY, MID TOWER-14	40	2	7347301	NUT, SPIDER M10 X 1.5
7	5	3236902	NUT, M16 X 2 HEX JAM SS	41	2	7322301	PLATE, 1.97 OD X .44 ID 10GA
8	4	7385201	SPACER, .406 X .750 X .250	42	2	7662801	RING, GRIP 1.25 OD
9	15	3236202	SCREW, M10 X1.5 25MM	43	1	7407502	PIN, LINK
10	20	3236601	WASHER, 3/8 SAE SS	44	2	3232401	RING, RETAINING, EXTERNAL
11	2	7802001	COUNTER WEIGHT, LARGE - COATED	45	1	7506901	LABEL, FZPD PLACARD
12	1	7778001	ASSY, FZ ADJUSTER HANDLE	46	1	6757701	CLIP, CABLE 2-7/8 X 1 X 1
13	1	7384701	WLDMT, FZ, SEAT SUPPORT	47	1	7423603	CABLE, FZPD
14	1	7911101	ASSY, SEAT CARRIAGE	48	1	7385203	SPACER, .406 X .750 X .500
15	1	7369801	WLDMT, FZPD PIVOT ARM	49	1	7425295	BRKT, SEAT INDICATOR
16	1	7369701	WLDMT, FZPD WORK ARM LH	50	2	3239101	SCREW, M5X10 PHL PAN TT ST
17	1	7369601	WLDMT, FZPD WORK ARM RH	51	5	3236201	SCREW, M10 X1.5 20MM
18	1	7369501	WLDMT, FZPD FRAME	52	1	3239201	SPRING, EXT, .375 X .049 X 2.00
19	2	3236701	WASHER, FENDER 3/8" ID X 1.5"ODSS	53	1	3237901	ROD END, METRIC FEMALE
20	2	7330002	SPACER, INTERNAL X .653	54	1	3236901	NUT, M10 X 1.5 JAM
21	6	3235601	BEARING, 6205 BALL	55	4	3238601	M10X1.5 THREADED INSERT (HEX)
22	3	7330003	SPACER, INTERNAL X 3.265	56	1	72971XX	PAD, SEAT SADDLE
23	4	7308701	CAP, BEARING HOUSING	57	1	7422004	LABEL, 2" ASTM WARN
24	3	3236801	NUT, M10 HEX NYLOCK SS	58	1	7507001	LABEL, FZAB PLACARD
25	1	7419701	COVER, FOOT 10 DEG	59	1	7524501	LABEL, 1-9 STRAIGHT
26	1	7334001	FOOT, 2.50 X 4.49 FLOV	60	1	7571301	LABEL, SERIAL NUMBER
27	1	7340201	COVER, FOOT - STRAIGHT	61	8	3251202	SCREW, M10 X1.5 X 25MM HEX ZN
28	6	3237801	PULLEY, 4.5" OD	62	1	7422003	LABEL, MOVING PARTS
29	5	7335401	NUT, M10 X 1.5 SOCKET HEAD	63	2	7326201	CAP, D-TUBE - TOP
30	6	8104501	COVER, PULLEY-BOLTED NOTCHED	64	1	7776501	SHAFT, .625 X .406 X 1.200
31	4	3236207	SCREW, M10 X1.5 50MM	65	1	3236208	SCREW, M10 X1.5 55MM
32	2	7330001	SPACER, INTERNAL X .403	66	2	7776401	SPACER, FLANGE .406 X .495 X .81
33	1	7316502	SHAFT, 25MM X 5.250	67	4	3254703	NUT, M10 X 1.5 HEX ZINC
34	2	8094101	COVER, PULLEY-BOLTED PARTIAL	68	2	3236206	SCREW, M10 X1.5 45MM

FZPD PULL DOWN SEAT CARRIAGE ASSEMBLY - 7911101



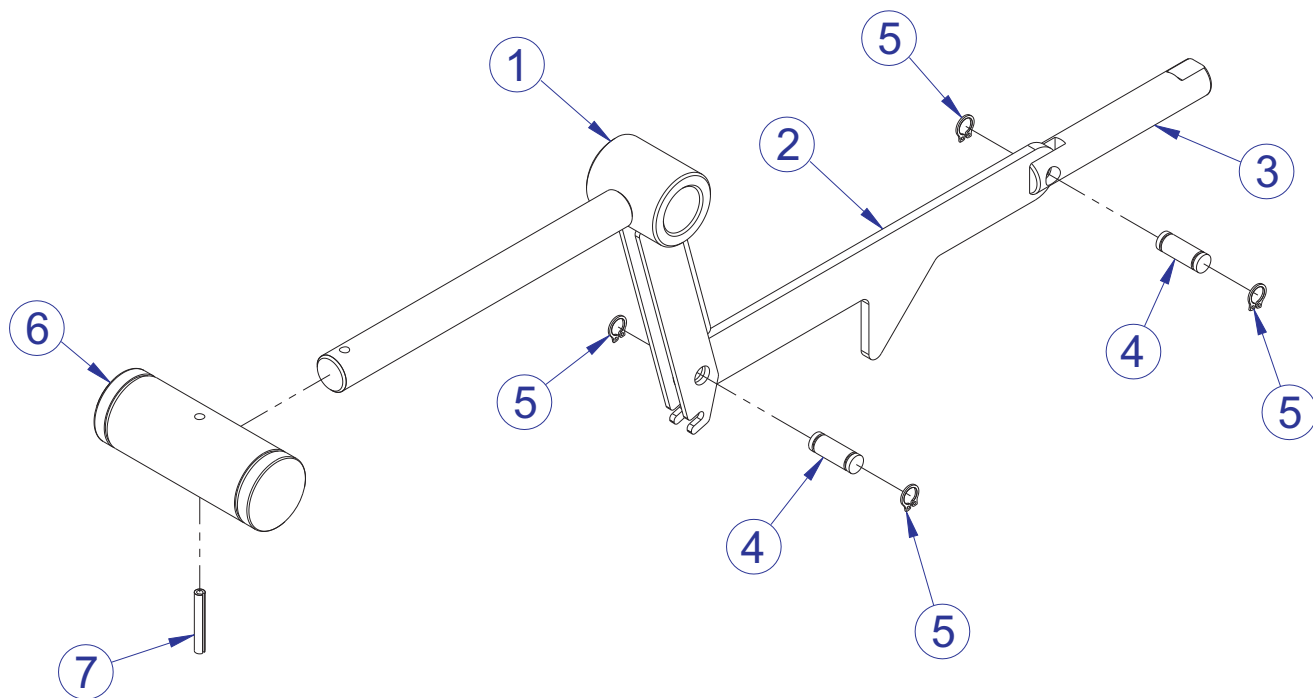
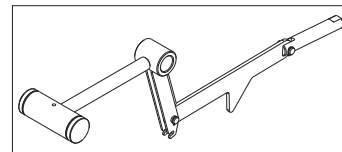
SEE PAGE 7 FOR LEGEND

FZPD PULL DOWN SEAT CARRIAGE ASSEMBLY LEGEND



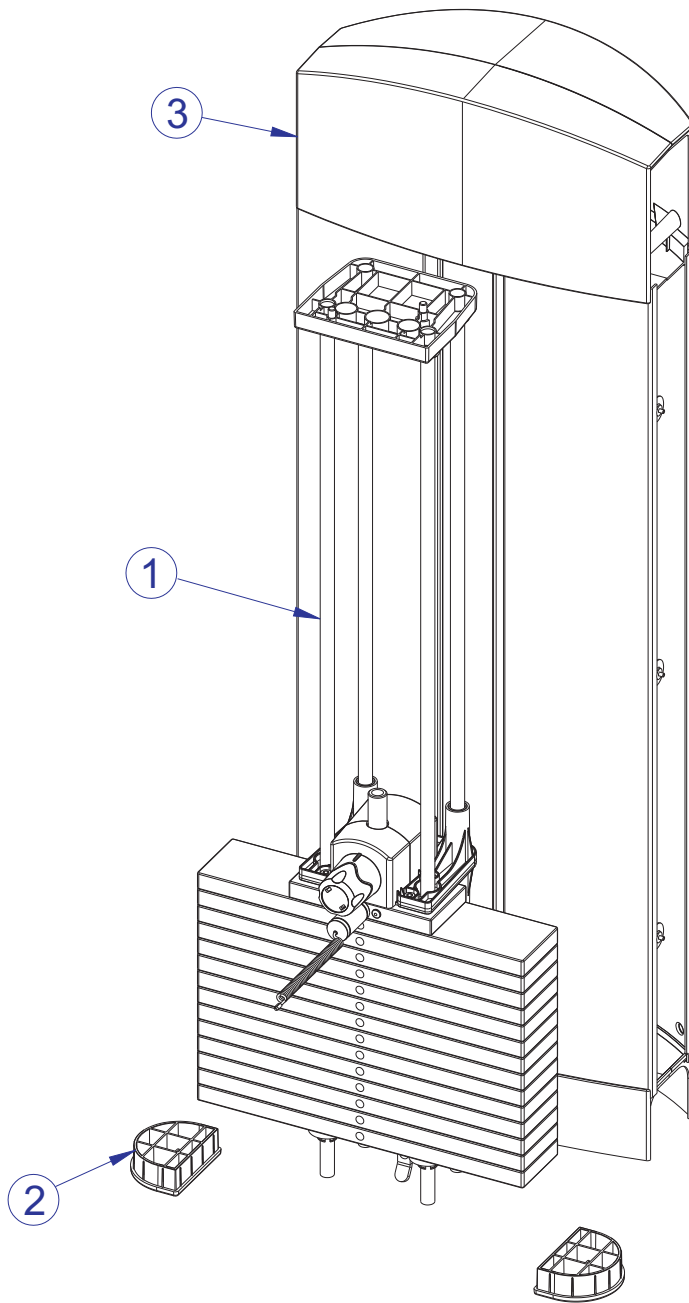
ITEM NO.	QTY.	PART NO.	DESCRIPTION
1	1	7911295	WLDMT, SEAT CARRIAGE SHDW GRAY
2	7	7889701	ROLLER, SEAT CARRIAGE
3	4	7911901	SPACER, .625 DIA X 16 GA.
4	3	7912001	SPRING, SEAT CARRIAGE
5	7	3232408	RING, BRE .443, 5100-46, ST,PP,B
6	1	3235700	SPRING, GAS 80N
7	2	7414301	STUD, M10 BALL END M10 X 1.5
8	1	7339401	BRACKET, GAS SPRING
9	1	7334001	FOOT, 2.50 X 4.49 FLOV
10	2	3236601	WASHER, 3/8 SAE SS
11	2	3236801	NUT, M10 HEX NYLOCK SS
12	2	3241201	M4 PHL PAN F ST ZN

FZPD PULL DOWN ADJUSTER HANDLE ASSEMBLY - 7778001



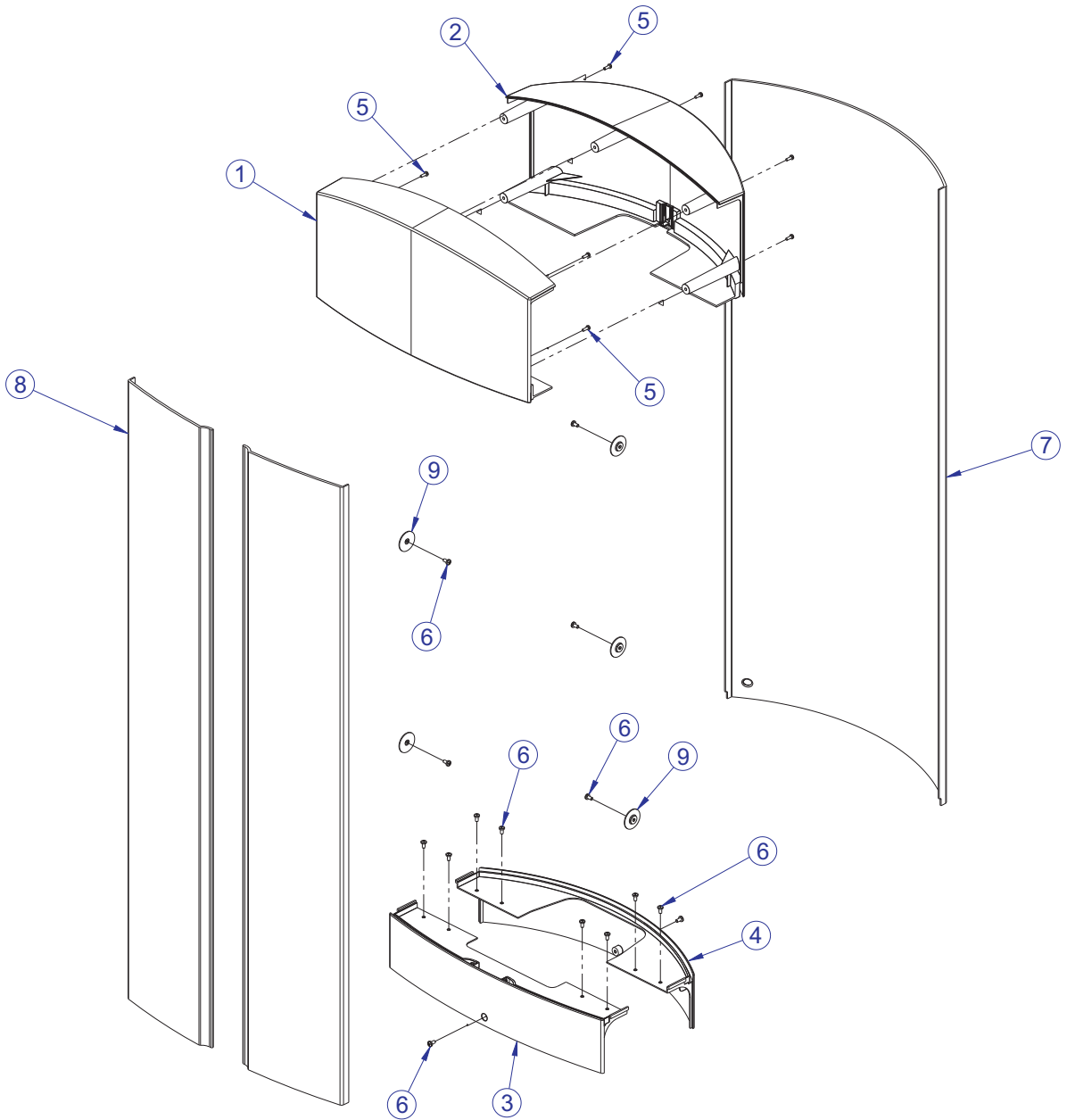
ITEM NO.	QTY.	PART NO.	DESCRIPTION
1	1	7777595	WLDMT, FZ SEAT ADJ HANDLE SHADOW GRAY
2	1	7331801	LINK, ADJUSTER
3	1	7331601	PIN, INDEX
4	2	7407501	PIN, LINK
5	4	3232401	RING, RETAINING, EXTERNAL
6	1	7287901	HANDLE, ADJUSTER
7	1	3110010	ROLL PIN, 1/8 X 7/8

FZPD PULL DOWN MID-14 TOWER ASSEMBLY - 7420401



ITEM NO.	QTY.	PART NO.	DESCRIPTION
1	1	7420101	ASSY, WEIGHT STACK MID-14
2	2	7326301	CAP, D-TUBE-BTM
3	1	7419801	ASSY, TOWER PLASTICS-MID

FZPD PULL DOWN PLASTIC TOWER ASSEMBLY - 7419801

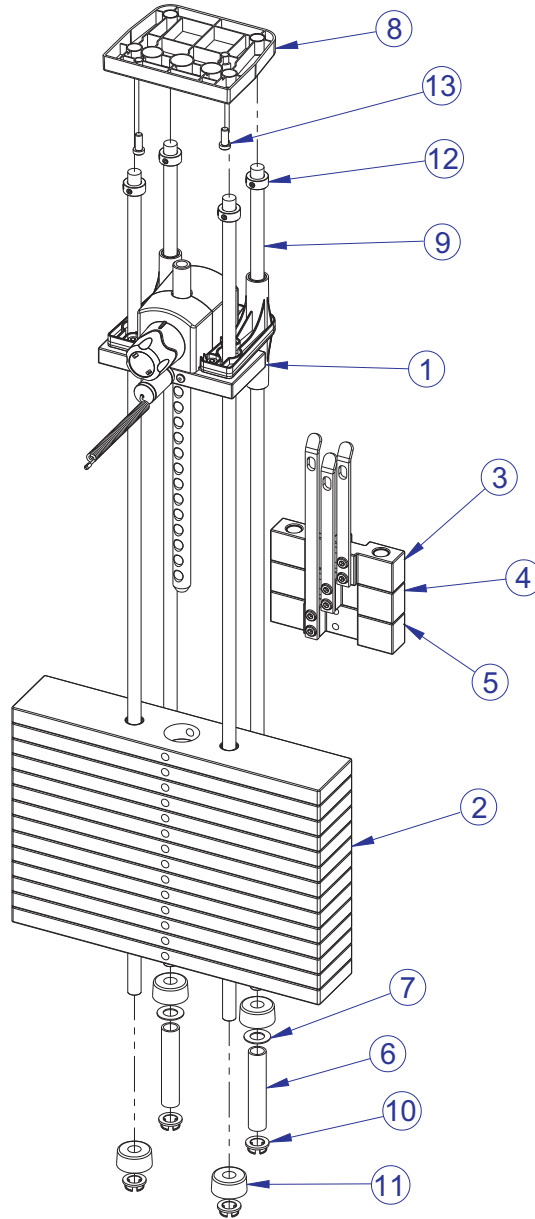


ITEM NO.	QTY.	PART NO.	DESCRIPTION
1	1	7318601	COVER, TOWER- TOP FRONT
2	1	7318701	COVER, TOWER- TOP REAR
3	1	7318801	COVER, TOWER- BOTTOM FRONT
4	1	7318901	COVER, TOWER- BOTTOM REAR
5	9	3236501	M4 X 0.7 PHL PAN MS ST ZN
6	16	3239101	SCREW, M5X10 PHL PAN TT ST
7	1	7765701	SHROUD, TOWER- REAR SHORT
8	2	7765601	SHROUD, TOWER- FRT SHORT RH
9	6	7583501	RETAINER, FZ SHROUD

FZPD PULL DOWN MID-14 WEIGHT STACK ASSEMBLY - 7420101

WEIGHT STACK LABELS

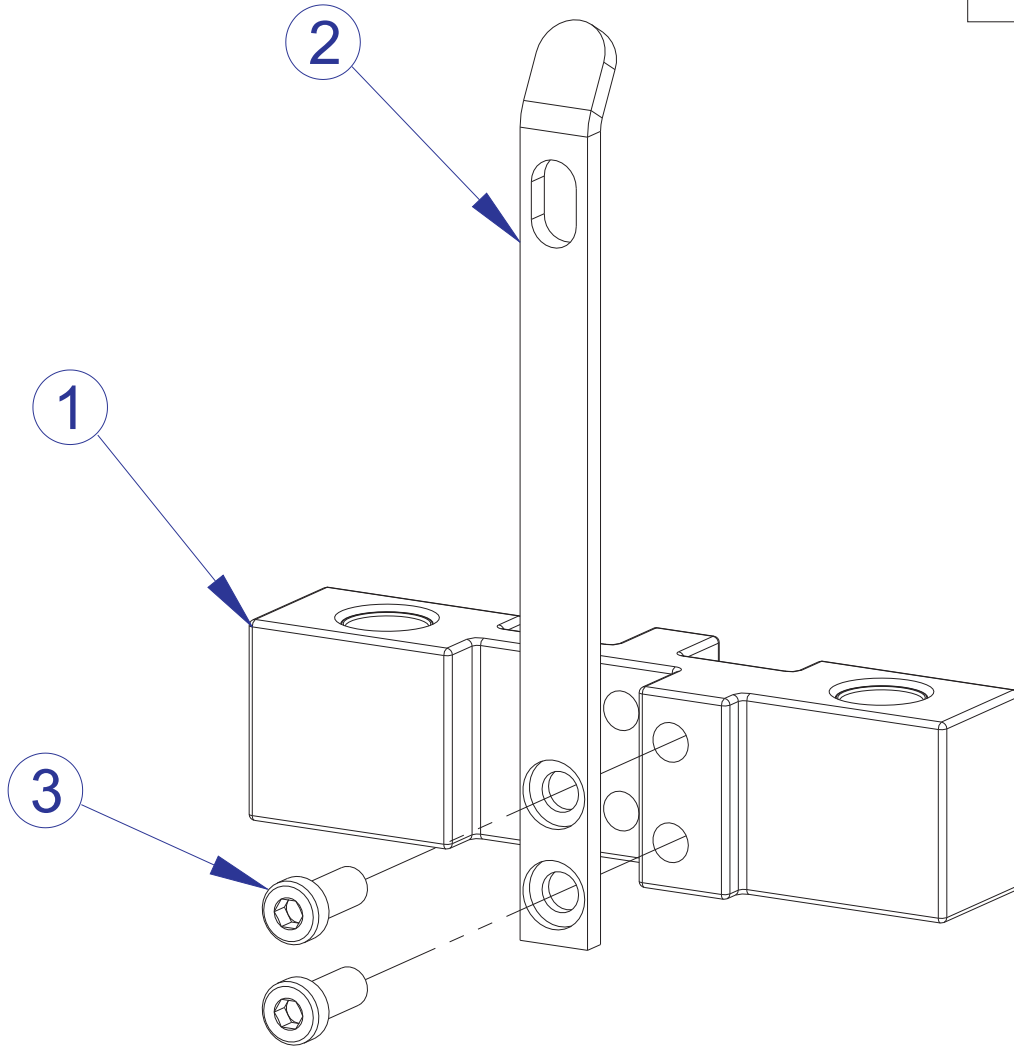
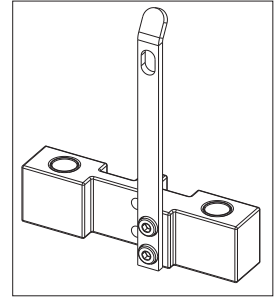
7927201	LABEL, 390 LB STACK
7927301	LABEL, 195 KG STACK



ITEM NO.	QTY.	PART NO.	DESCRIPTION
1	1	7350701	ASSY, HEAD PLATE (14)
2	14	7328401	WEIGHT PLATE, 20 LB
3	1	7327601	ASSY, INCREMENT WT-5LB
4	1	7327701	ASSY, INCREMENT WT-10LB
5	1	7327801	ASSY, INCREMENT WT-15LB
6	2	7328701	SPACER, INC WT STACK 14 PLT
7	2	7351001	SPACER, INC WT STACK
8	1	7621101	RETAINER, GUIDE ROD-TOP
9	4	7328602	GUIDE ROD, .75 OD SOLID X 53.50
10	4	7337901	BUSHING, GUIDE ROD
11	4	7352101	CUSHION, WEIGHT STACK
12	4	3103301	SHAFT COLLAR, 3/4" ID ZINC
13	2	3236202	M10 X 1.5 X 25 HXS SOC CS SS

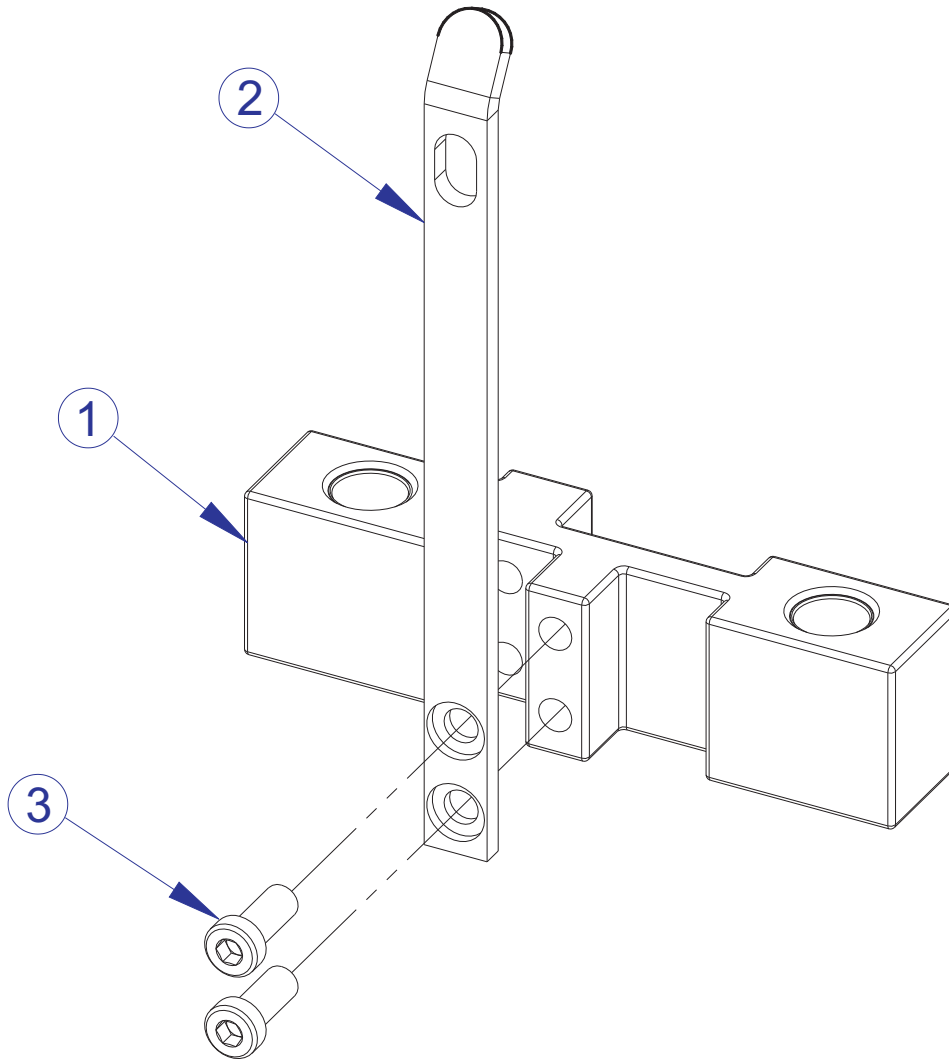
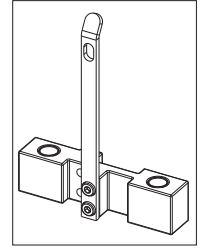
FZPD PULL DOWN

5 LB. INCREMENT WEIGHT ASSEMBLY - 7327601



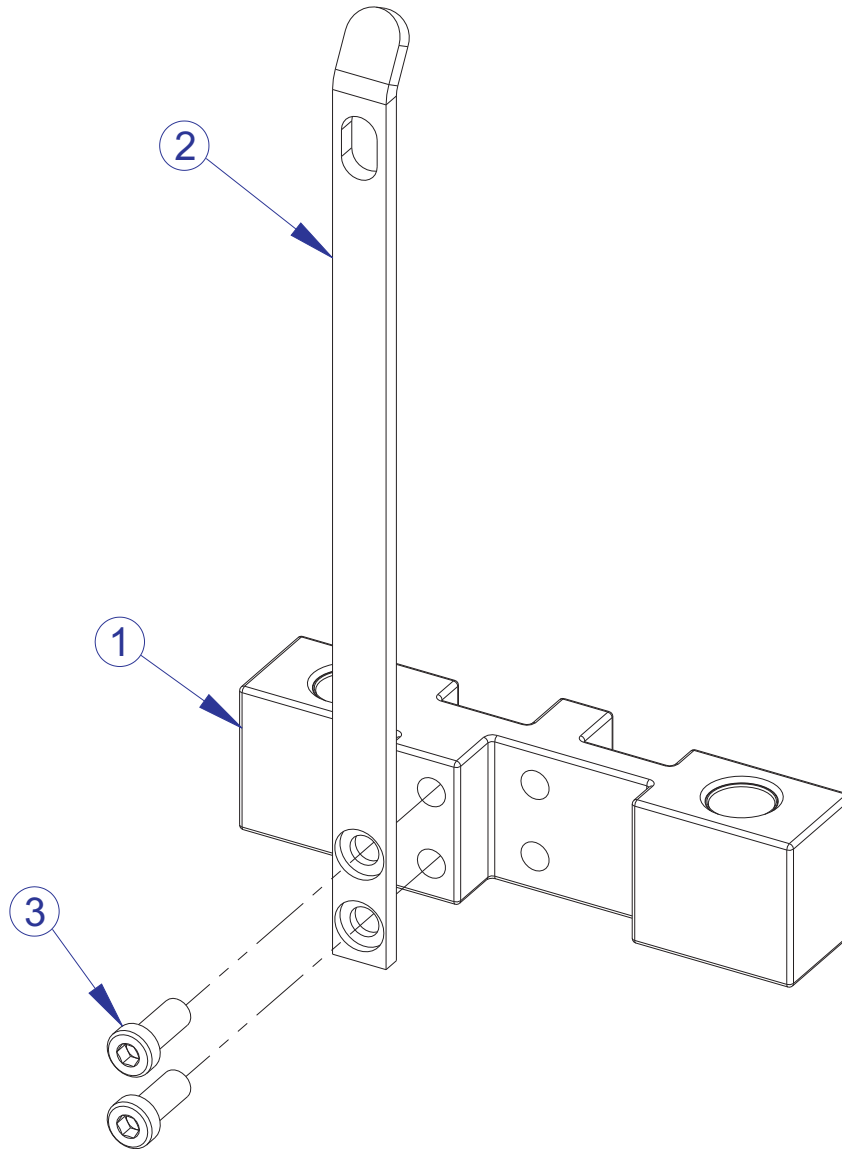
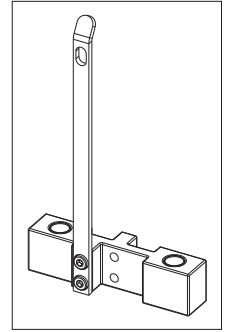
ITEM NO.	QTY.	PART NO.	DESCRIPTION
1	1	7968501	ASSY, FZ INC WEIGHT 5LB
2	1	7328001	BRKT, INCREMENT WT - 5 LB
3	2	3236202	SCREW, M10 X1.5 25MM

FZPD PULL DOWN 10 LB. INCREMENT WEIGHT ASSEMBLY - 7327701



ITEM NO.	QTY.	PART NO.	DESCRIPTION
1	1	7968501	ASSY, FZ INC WEIGHT 5LB
2	1	7328101	BRKT, INCREMENT WT - 10 LB
3	2	3236202	SCREW, M10 X1.5 25MM

FZPD PULL DOWN 15 LB. INCREMENT WEIGHT ASSEMBLY - 7327801

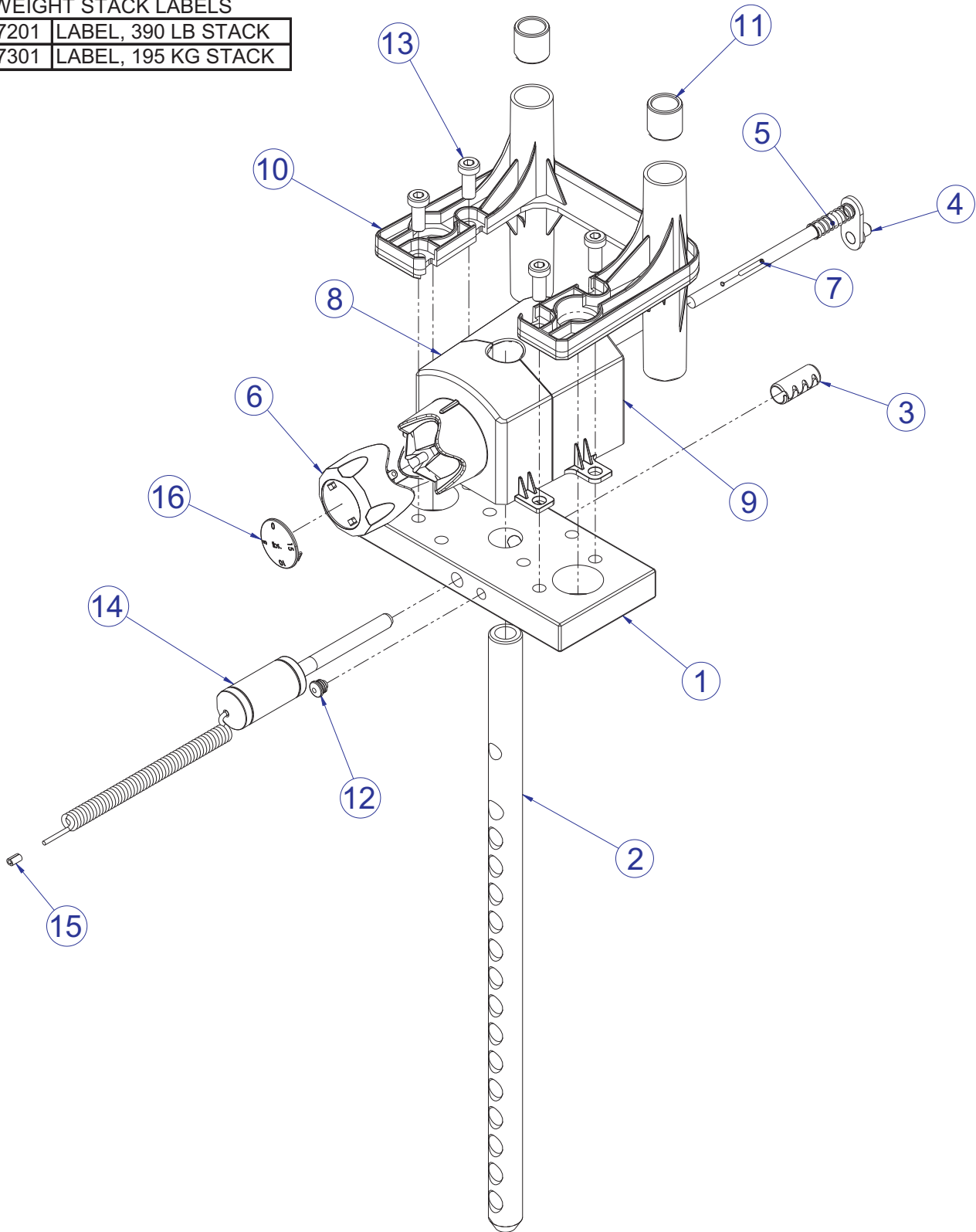


ITEM NO.	QTY.	PART NO.	DESCRIPTION
1	1	7968501	ASSY, FZ INC WEIGHT 5LB
2	1	7328201	BRKT, INCREMENT WT - 15 LB
3	2	3236202	SCREW, M10 X1.5 25MM

FZPD PULL DOWN HEAD PLATE ASSEMBLY - 7350701

WEIGHT STACK LABELS

7927201	LABEL, 390 LB STACK
7927301	LABEL, 195 KG STACK



SEE PAGE 16 FOR LEGEND

FZPD PULL DOWN HEAD PLATE ASSEMBLY LEGEND

ITEM NO.	QTY.	PART NO.	DESCRIPTION
1	1	7326701	HEAD PLATE
2	1	7347801	STEM, 9 PLATE
3	1	3236001	BUSHING, SPRING PIN
4	1	7327201	WLDMT, INCREMENT WT PIN
5	1	8024501	SPRING, 1/2 OD X 1-1/2
6	1	7326101	KNOB, INC WT SELECTOR
7	1	3110008	ROLL PIN, 1/8 X 1-1/4
8	1	7326401	HOUSING, SELECTOR - FRONT
9	1	7326501	HOUSING, SELECTOR - REAR
10	1	7362101	STABILIZER, HEAD PLATE
11	4	7459601	BUSHING, HEAD PLT STABILIZER
12	1	7356501	PLUG, LANYARD ATTACHMENT
13	4	3236202	SCREW, M10 X1.5 25MM
14	1	7338101	ASSY, WT STACK SELECTOR PIN
15	1	7523601	CRIMP, CABLE
16	1	7398601	CAP, SELECTOR KNOB, LBS
	OR		
	1	7398701	CAP, SELECTOR KNOB, KG

FZPD PULL DOWN IMAGE

