

## LIFE FITNESS

14150 Sunfish Lake Blvd. Ramsey Minnesota, 55303 U.S.A.  
Tel: 763.323.4500 Fax: 763.323.4797  
800.328.9714 (Toll-free within the U.S. and Canada)  
www.parabody.com

### INTERNATIONAL OFFICES

Life Fitness Atlantic BV  
Atlantic Headquarters  
Bijdorpplein 25-31  
2992 LB Barendrecht  
The Netherlands  
Phone: (180) 646 666  
Fax: (180) 646 703

Life Fitness EUROPE GmbH  
Siemensstrasse 3  
85716 Unterschleissheim  
Germany  
Phone: (089) 31 77 51-0  
Fax: (089) 31 77 51 99

Life Fitness Italia S.R.L.  
Via Elvas 92  
39042 Bressanone  
Italy  
Phone: 39 (472) 835-470  
Fax: 39 (472) 833-150

Life Fitness Asia Pacific Limited  
Room 2610, Miramar Tower  
132 Nathan Road, Tsimshatsui  
Kowloon, Hong Kong  
Phone: (852) 2891-6677  
Fax: (852) 2575-6001

Life Fitness (UK) Ltd.  
Queen Adelaide  
Ely, Cambs CB7 4UB  
United Kingdom  
Phone CSS: (01353) 665507  
Fax CSS: (01353) 666719

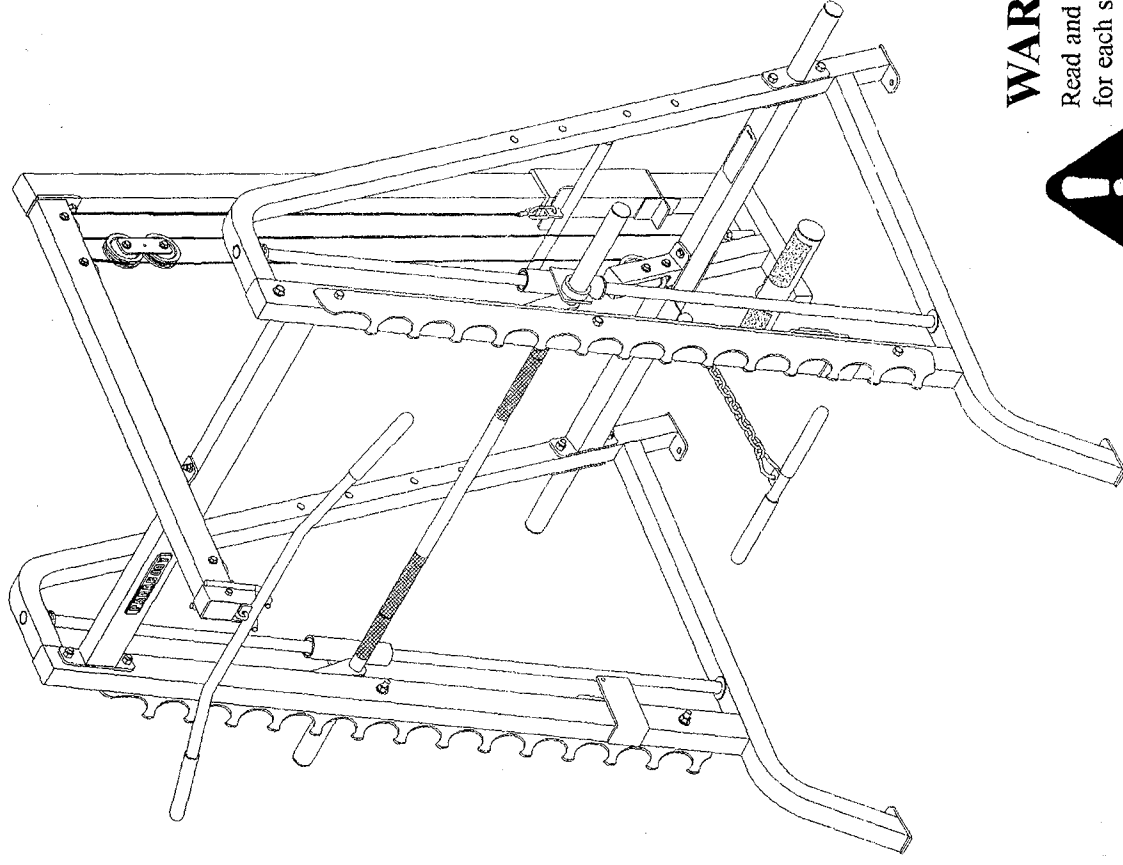
Life Fitness Benelux N.V.  
Bijdorpplein 25-31  
2992 LB Barendrecht  
The Netherlands  
Phone: 31 (180) 64 66 69  
Fax: 31 (180) 64 66 99

Life Fitness Japan  
8/F, Nippon Brunswick Building  
5-27-7 Sendagaya  
Shibuya-Ku, Tokyo 151-0051  
Japan  
Phone: 81 (3) 3359-4309  
Fax: 81 (3) 3359-4307

Life Fitness Do Brazil  
Al. Rio Negro, 433-Predio 2-Sala 2  
3º andar (Confab)  
Aphaville-Barueri-Sao Paulo  
CEP: 06454-904  
Brazil  
Phone: 55 (11) 7295-2217  
Fax: 55 (11) 7295-2218

# PARABODY®

## 887 LAT OPTION



### WARNING:

Read and follow all directions  
for each step to insure proper  
assembly of this product.



## USER'S GUIDE

## TABLE OF CONTENTS

Safety Statement.....	2
General Notes.....	3
Tools Required.....	3
Parts list.....	4
Assembly Instructions.....	4-13
General Maintenance.....	14
Warranty Statement.....	15
Product Services.....	16
Insert-Registration Card	

## IMPORTANT SAFETY INFORMATION



### THERE IS A RISK ASSUMED BY INDIVIDUALS WHO USE THIS TYPE OF EQUIPMENT. TO MINIMIZE RISK FOLLOW THESE RULES!

1. Before using, read all the warnings and instructions on the use of this machine. Use only for intended exercise. **DO NOT** modify the machine.
2. Obtain a medical exam before beginning any exercise program.
3. Keep body and clothing free of all moving objects.
4. Inspect the machine before use. **DO NOT** use it if it appears damaged. **DO NOT** attempt to fix a broken or jammed machine. Notify your authorized Parabody dealer before use and have repairs made by an authorized service technician.
5. Be certain that weight pin is completely inserted. Use only the pin provided by the manufacturer. If unsure, call your authorized Parabody dealer.
6. Never pin the weights or prop plate into an elevated position. **DO NOT** use the machine if found in this condition. **DO NOT** attempt to fix. Notify your authorized Parabody dealer.
7. Inspect cables and their connections before using machine. Pay particular attention to the cable ends. **DO NOT** attempt to fix. Notify your authorized Parabody dealer before use and have repairs made by an authorized service technician.
8. Make sure all spring loaded pull pins are fully engaged in the adjustment position and fully tighten thumbscrew before use.
9. Children must not be allowed near this machine. Supervise teenagers.

## LIMITED WARRANTY

Parabody extends the following LIMITED WARRANTY to the original owner of the Parabody products. The Warranty terms apply to IN HOME USE ONLY.

1. **LIMITED WARRANTY ON FRAME AND WELDS.** If the frame of the Parabody product or a weld should crack or break, it will be repaired or replaced by Parabody. Terms: Lifetime – for so long as the Customer owns the Parabody product.
2. **LIMITED WARRANTY ON PARTS.** If the following parts are defective in material or workmanship, Parabody will supply replacement parts: all bolts, nuts, washers, bearings, bushings, pulleys, thumb screws, collars, cable retaining clips, adjustable pre-stretch slides, roller pad shafts, allen head bolts, weight selector pin, weight stack shaft, set screws, protector caps, adjustment chain, cotter pin, plunger, spring and knob. Terms: Lifetime – for so long as the Customer owns the Parabody product.
3. **LIMITED WARRANTY ON CABLES AND UPHOLSTERY.** If the coated cables or upholstery are defective in material or workmanship, Parabody will repair or replace them, at its option. Terms: Three (3) years.
4. **CONDITIONS AND EXCEPTIONS.** Any product misuse, abuse or alteration, any attempt to repair by a person other than an authorized Parabody Service Center, any improper assembly, accident, or any other condition resulting from occurrences beyond the control of Parabody will void this Limited Warranty.
5. **REPLACEMENT AND REPAIR EXPENSES.** Parabody will provide only replacement parts or repair under this warranty. The Owner is responsible for all other costs. Such costs may include, but are not limited to: a. labor charges for service, removal, repair or reinstallation of the Parabody product or any component part; b. shipping, delivery, handling and administrative charges for returning parts to Parabody; and c. all necessary or incidental costs related to installation of the replacement parts.
6. **SHIPPING.** If shipping by the Owners is deemed necessary (in sole discretion of Parabody), parts should be shipped in their original carton or equivalent packaging, fully insured with shipping charges prepaid. Parabody will not assume any responsibility for any loss or damage incurred in shipping.
7. **CLAIM PROCEDURES.** If service on your Parabody product is required during the warranty period, please contact our Customer Service Department at 1-800-328-9714 for instructions regarding returning or replacing parts. Please have available the following information: (i) the dealer's name; (ii) the date of purchase; (iii) the serial # (s) of your product (the serial number location is called out on the final assembly drawing included with your assembly instruction); (iv) a description of the nature of the problem.
8. **OWNER'S RIGHT.** This Limited Warranty gives you specific legal rights. You may also have other rights, which vary depending on local law.
9. **LIMITATION OF IMPLIED WARRANTIES.** All implied warranties, except to the extent prohibited by applicable law, shall have no greater duration than the warranty period set forth above. There are no warranties which extend beyond the description in this Limited Warranty. Because local laws do not allow limitations on how long an implied warranty lasts, the above limitations may not apply to you.
10. **DISCLAIMER.** No other express warranty has been made or will be made on behalf of Parabody with respect to any Parabody product or the operation, repair or replacement of any Parabody product. Parabody shall not be responsible for injury, loss of use of the Parabody product, inconvenience, loss or damage to personal property, whether direct or indirect, and incidental or consequential damages, so the above limitation or exclusion may not apply to you.

## NOTES:

**NOTE:** In a continual effort to improve our products, specifications are subject to change  
 © 2001 Life Fitness, a division of Brunswick Corporation. All rights reserved.  
 Parabody is a trademark of Brunswick Corporation

www.parabody.com

## MAINTENANCE

**Please note:**

- \* We recommend cleaning your product (pads and frame) on a regular basis, using warm soapy water. Touch-up paint can be purchased from your ParaBody customer service representative at (800) 328-9714.
- \* Inspect equipment daily. Tighten all loose connections or replace worn parts immediately. Failure to do so may result in serious injury
- \* Lubricate guide rods with a teflon based (or equivalent) lubricant on a regular basis

**PLEASE RECORD THE INFORMATION REQUESTED BELOW. IN THE EVENT YOU MAY NEED SERVICE YOU WILL BE ASKED FOR THIS INFORMATION. REMEMBER TO FILL OUT YOUR WARRANTY REGISTRATION CARD AND MAIL BACK.**

MODEL # \_\_\_\_\_

SERIAL # \_\_\_\_\_

DATE OF PURCHASE: \_\_\_\_\_

DEALERS NAME: \_\_\_\_\_

DEALERS PHONE # \_\_\_\_\_

## IMPORTANT NOTES

**Please note:**

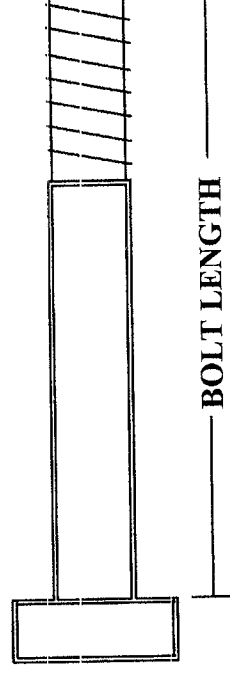
- \* Thank you for purchasing the ParaBody 877 Lat Option. Please read these instructions thoroughly and keep them for future reference. This product must be assembled on a flat, level surface to assure its proper function.
- \* This product must be assembled on a flat, level surface to assure its proper function. DO NOT securely tighten any frame connections until the entire frame has been assembled, unless otherwise stated.

## Tools Required for Assembly

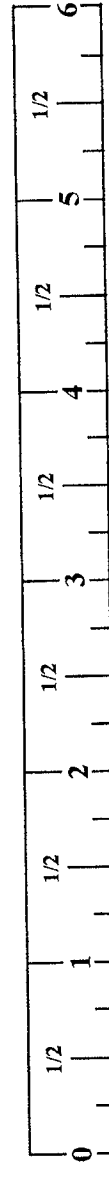
- \* 3/4" wrench
- \* 9/16" wrench
- \* Ratchet with 3/4" and 9/16" sockets
- \* Adjustable wrench
- \* Tape measure

## Bolt Length Ruler

**NOTE: BOLT LENGTH IS MEASURED FROM THE UNDERSIDE OF THE HEAD OF THE BOLT.**



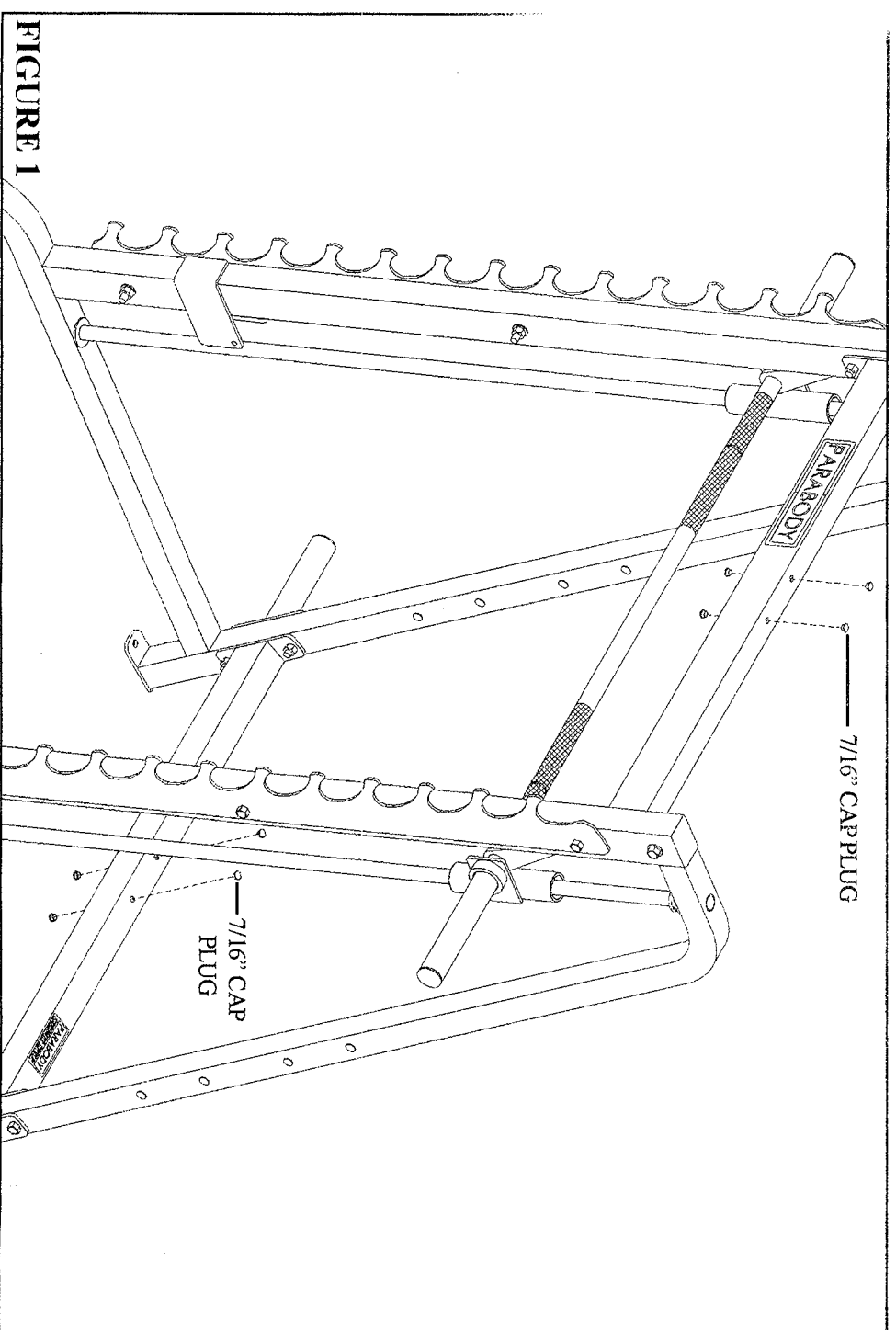
**BOLT LENGTH RULER:**



**Thank you for purchasing the ParaBody 887 Lat Option.**

## PARTS LIST

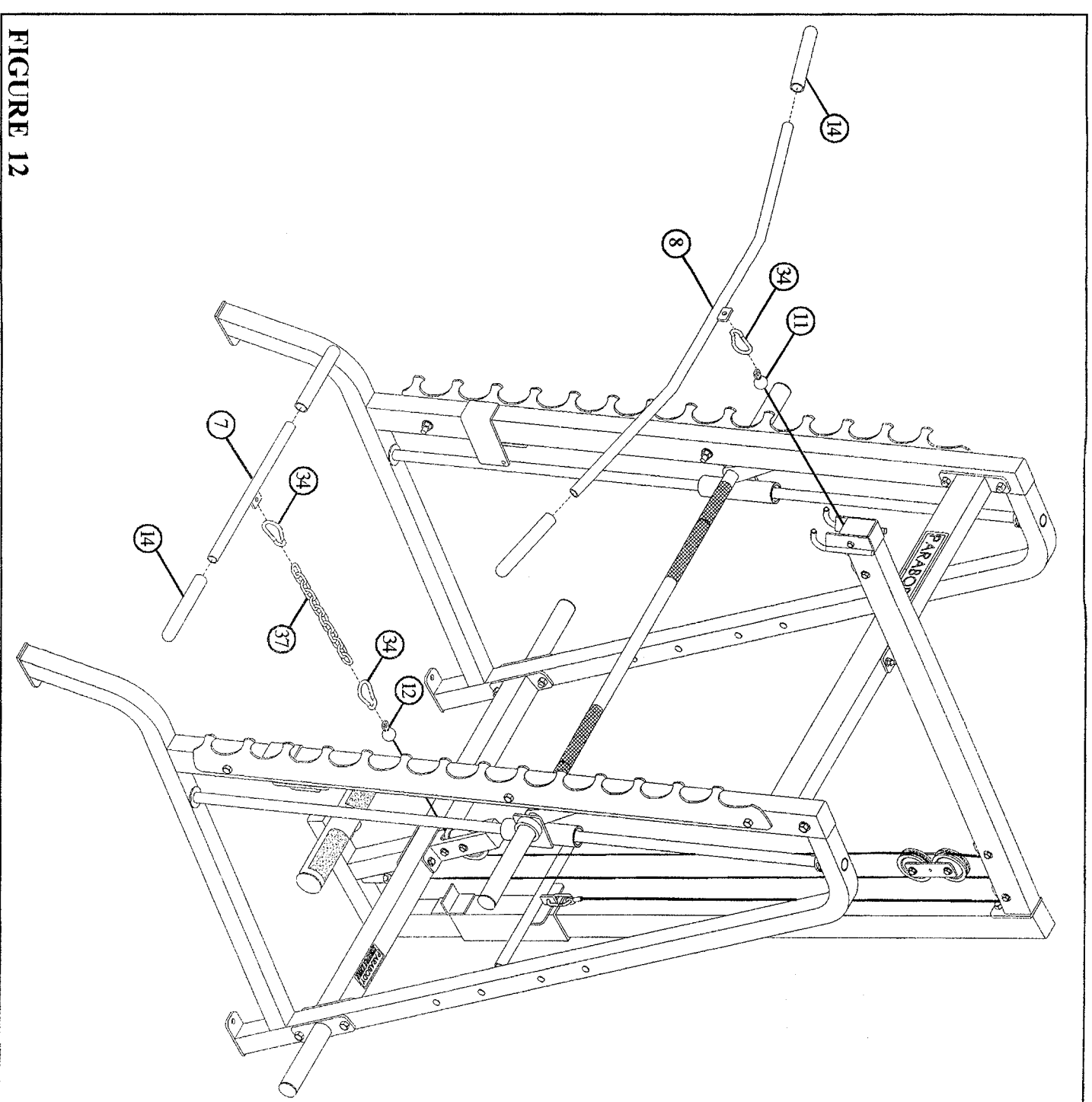
KEY	PART #	DESCRIPTION	QTY	KEY	PART #	DESCRIPTION	QTY
1	6800208	UPRIGHT	1	20	6236701	1-3/4" SQ. END CAP	1
2	6800602	ADJ FOOT SUPPORT	1	21	6412001	SPRING PIN ASSEMBLY	1
3	6800808	PULLEY HOUSING	1	22	3203301	VINYL CAP	2
4	6801008	TOP BOOM	1	23	6542402	3/16 X 1-3/4 X 5-1/4" PLATE	2
5	6801102	LAT BAR SUPPORT	1	24	6416601	3/4 X 1-1/2" GLIDE	1
6	6759802	CARRIAGE	1	25	3102943	1/2 X 3-1/2" BOLT	1
7	6274402	LOW ROW BAR	1	26	3102502	1/2" WASHER	2
8	6725302	LAT BAR	1	27	3102801	1/2" LOCK NUT	1
9	3116201	3-1/2" PULLEY	5	28	3102917	1/2 X 4" BOLT	1
10	3116101	4-1/2" PULLEY	1	29	3102807	3/8" LOW HEIGHT LOCK NUT	3
11	6802101	115-1/4" CABLE	1	30	3102501	3/8" WASHER	14
12	6671601	121-3/4" CABLE	1	31	3102802	3/8" LOCK NUT	9
13	6692601	3 X 2" END CAP	2	32	3102922	3/8 X 2-3/4" BOLT	6
14	3103102	1 X 8" GRIP	4	33	6480301	3/8" FLANGE SPACER	8
15	6140701	1 X 1" GLIDE	8	34	3103801	5/16" SNAP HOOK	3
16	6405201	2" SQ. END CAP	2	35	3102933	3/8 X 2" BOLT	2
17	3116001	1-1/4" SQ. RUBBER BUMPER	1	36	3108102	1/4" QUICK LINK	1
18	6177001	2-1/2 X 5-1/2" NON-SKID STRIP	2	37	6075906	12 LINK CHAIN	1
19	3119301	2-1/2" ROUND END CAP	2	38	3102906	3/8 X 4" BOLT	4



### STEP 1:

Remove four 7/16" CAP PLUGS from the UPPER & LOWER CROSS SUPPORTS on the 888 SMITH MACHINE as shown in FIGURE 1.

4

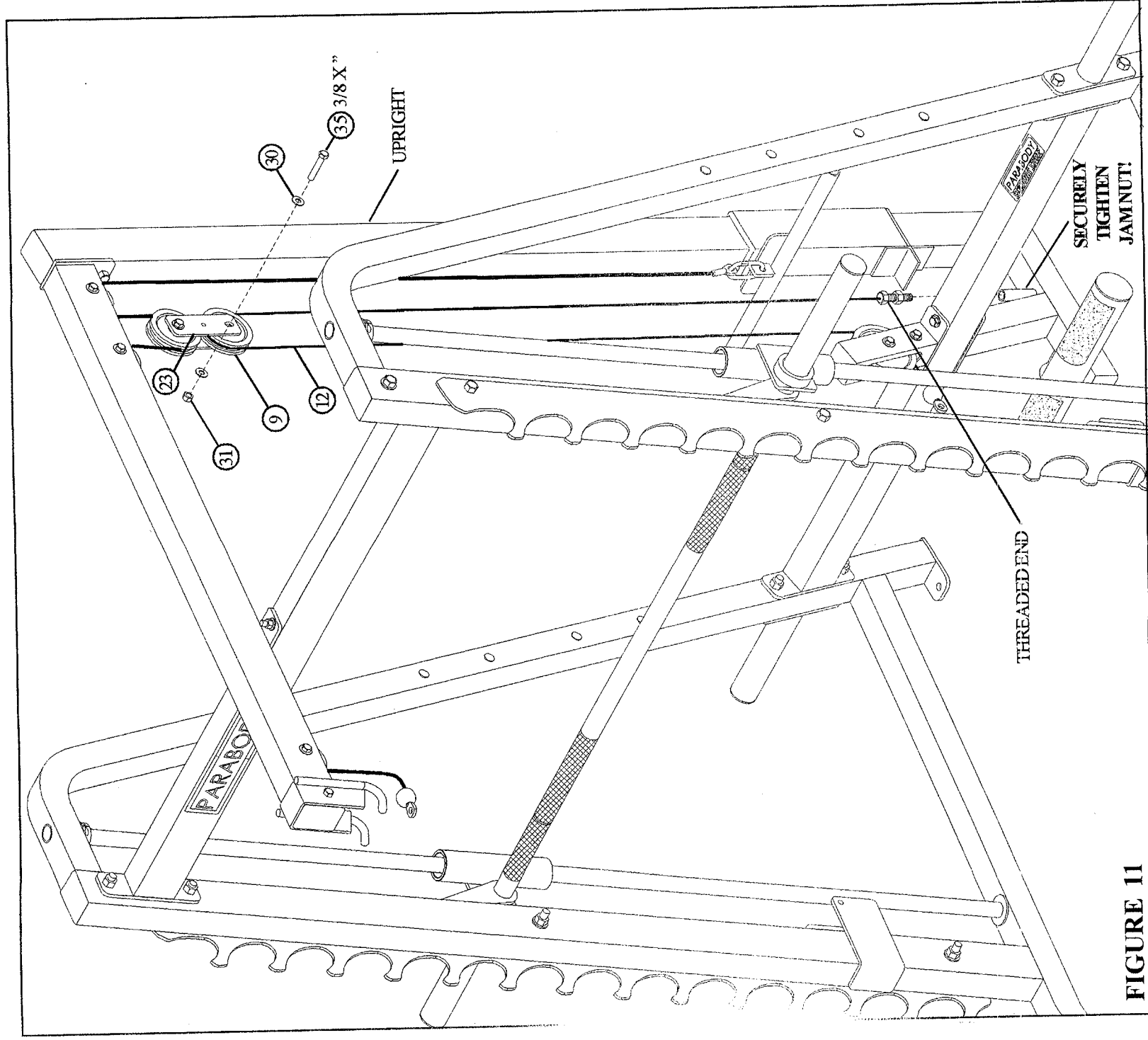


**FIGURE 12**

### STEP 12:

- Slide two 1 X 8" GRIPS (14) on the LOW ROW BAR (7) and two 1 X 8" GRIPS (14) on the LAT BAR (8) as shown in FIGURE 12.
- Attach the LAT BAR (8) to the ball end of the upper CABLE (11) using one 5/16" SNAP HOOK (34) as shown in FIGURE 12.
- Attach the LOW ROW BAR (7) to the ball end of the lower CABLE (12) using one 12-LINK CHAIN (37) and two 5/16" SNAP HOOKS (34) as shown in FIGURE 12.

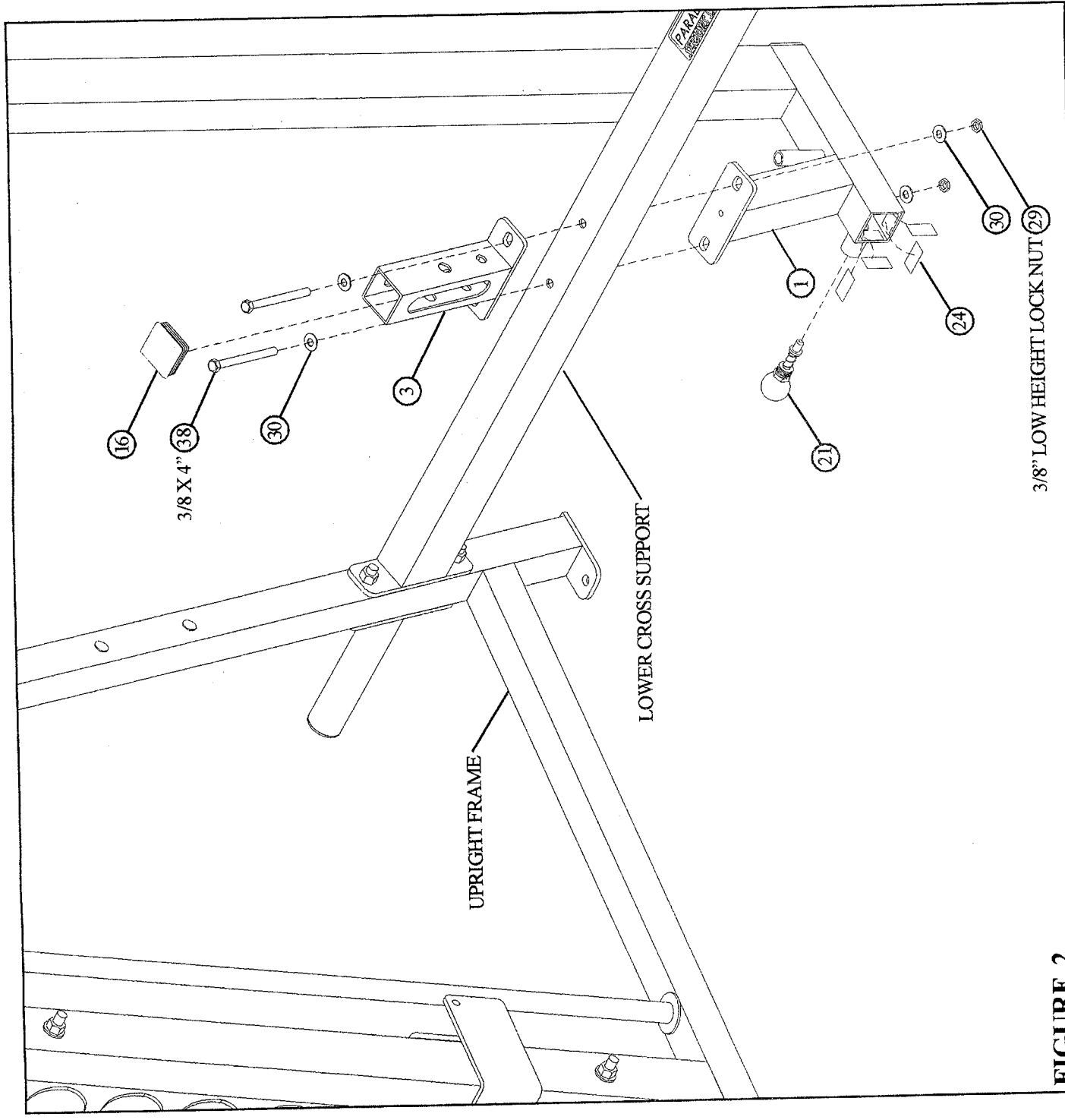
**Thank you for purchasing the Parabody 887 LAT OPTION. If unsure of proper use of equipment, call your local Parabody distributor or call the Parabody customer service department at (800) 328-9714.**



**FIGURE 11**

**STEP 11:**

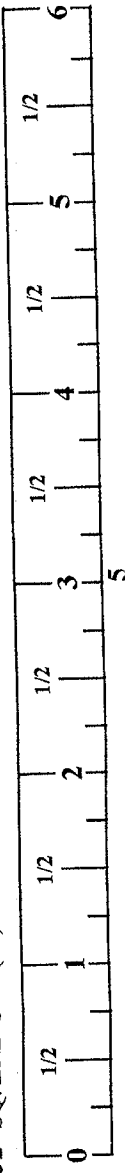
- Loop the 121-3/4" CABLE (12) around one 3-1/2" PULLEY (9) as shown in FIGURE 11.
- **LOOSELY** assemble the 3-1/2" PULLEY (9) to the 3/16 X 1-3/4 X 5-1/4" PLATES (23) using one 3/8 X 2" BOLT (35), two 3/8" WASHERS (30), and one 3/8" LOCK NUT (31). See FIGURE 11.
- **SECURELY** thread the end of the 121-3/4" CABLE (12) 3/4 of the way into the threaded housing on the UPRIGHT and **SECURELY** tighten jam nut.
- **SECURELY** tighten the two 3/8 X 2" BOLTS (35) of the 3/16 X 1-3/4 X 5-1/4" PLATES (23).

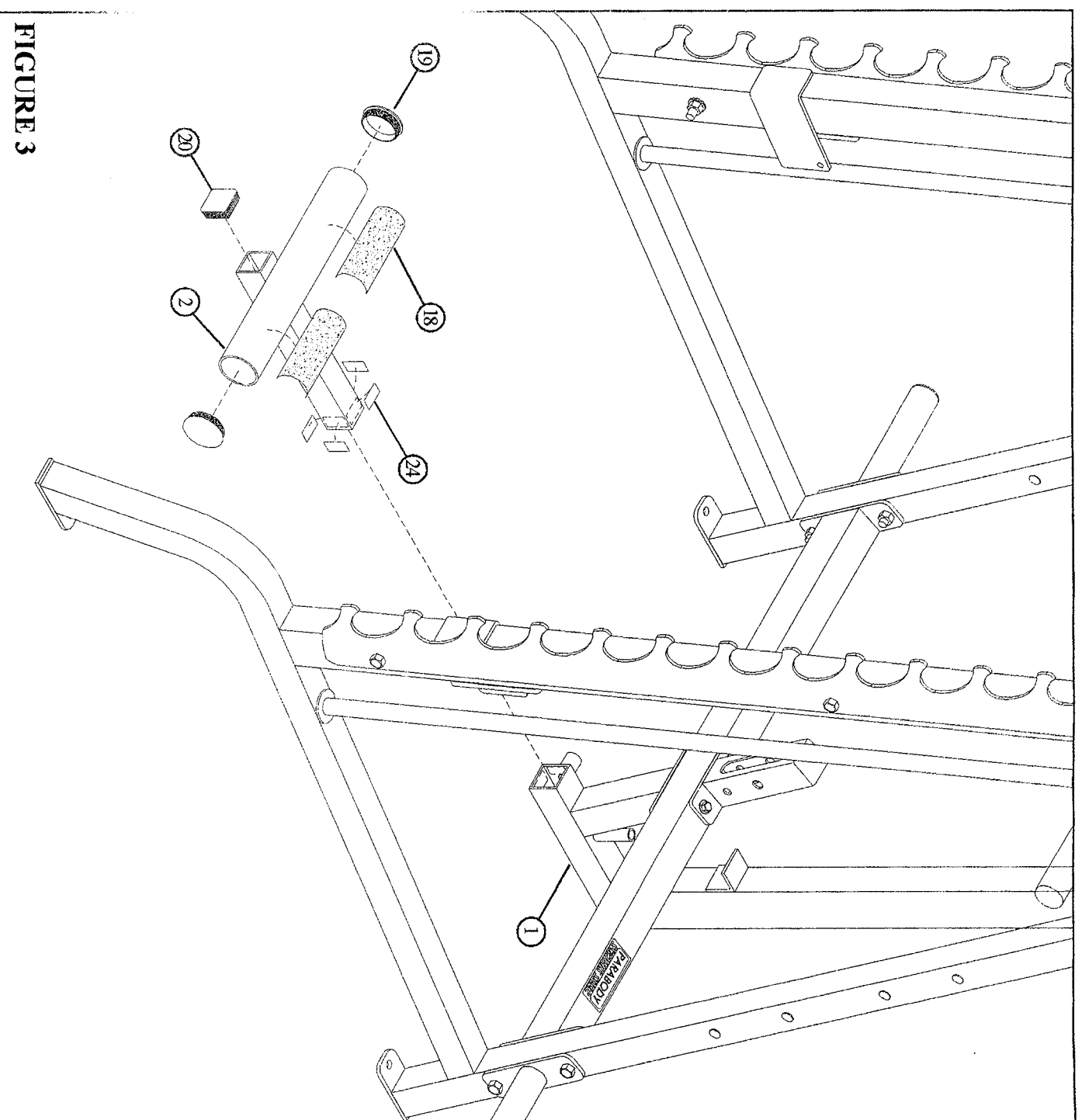


**FIGURE 2**

**STEP 2:**

- **NOTE:** It may be necessary to loosen the 1/2 X 3-1/4" BOLTS of the LOWER CROSS SUPPORT connecting the UPRIGHT FRAME before beginning STEP 2.
- Attach four 3/4 X 1-1/2" GLIDES (24) to the inside of the tube on the UPRIGHT (1) as shown in FIGURE 2 using the following steps:
  - Thoroughly clean all surfaces where the 3/4 X 1-1/2" GLIDES (24) are to be attached.
  - Remove the 3/4 X 1-1/2" GLIDES (24) from the paper backing and firmly apply them to all shown surfaces.
- **SECURELY** assemble one SPRING PIN ASSEMBLY (21) to the spring pin barrel on the UPRIGHT (1). See FIGURE 3.
- **LOOSELY** assemble the PULLEY HOUSING (3) and the UPRIGHT (1) to the LOWER CROSS SUPPORT using two 3/8 X 4" BOLTS (38), four 3/8" WASHERS (30), and two 3/8" LOW HEIGHT LOCK NUTS (29). See FIGURE 2.
- Insert one 2" SQ. END CAP (16) into the end of the PULLEY HOUSING (3) as shown in FIGURE 2.

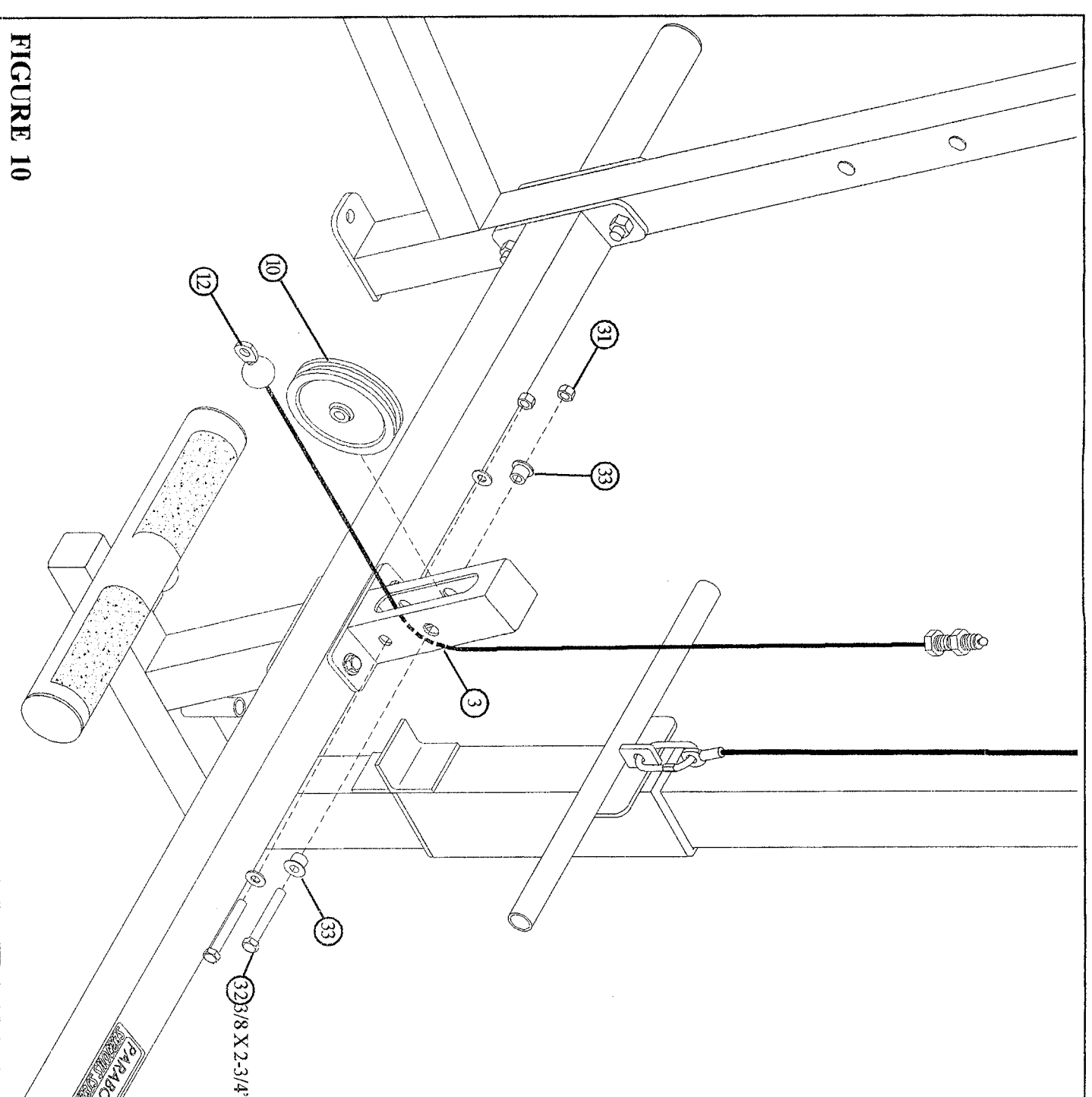




**FIGURE 3**

**STEP 3:**

- Insert two 2-1/2" ROUND END CAPS (19) into the ends of the ADJ. FOOT SUPPORT (2) as shown in FIGURE 3.
- Insert one 1-3/4" END CAP (20) into the end of the ADJ. FOOT SUPPORT (2) as shown in FIGURE 3.
- Apply two 2-1/2 X 5-1/2" NON-SKID STRIPS (18) to the ADJ. FOOT SUPPORT (2) as shown in FIGURE 3.
- Attach four 3/4 X 1-1/2" GLIDES (24) to the outside of the ADJ FOOT SUPPORT (2) and four GLIDES to the inside of the tube on the UPRIGHT (1) as shown in FIGURE 3 using the following steps:
  - Thoroughly clean all surfaces where the 3/4 X 1-1/2" GLIDES (24) are to be attached.
  - Remove the 3/4 X 1-1/2" GLIDES (24) from the paper backing and firmly apply them to all shown surfaces.
- Pull back on the SPRING PIN (21) and **CAREFULLY** insert the ADJ. FOOT SUPPORT (2) into the UPRIGHT (1) as shown in FIGURE 3.

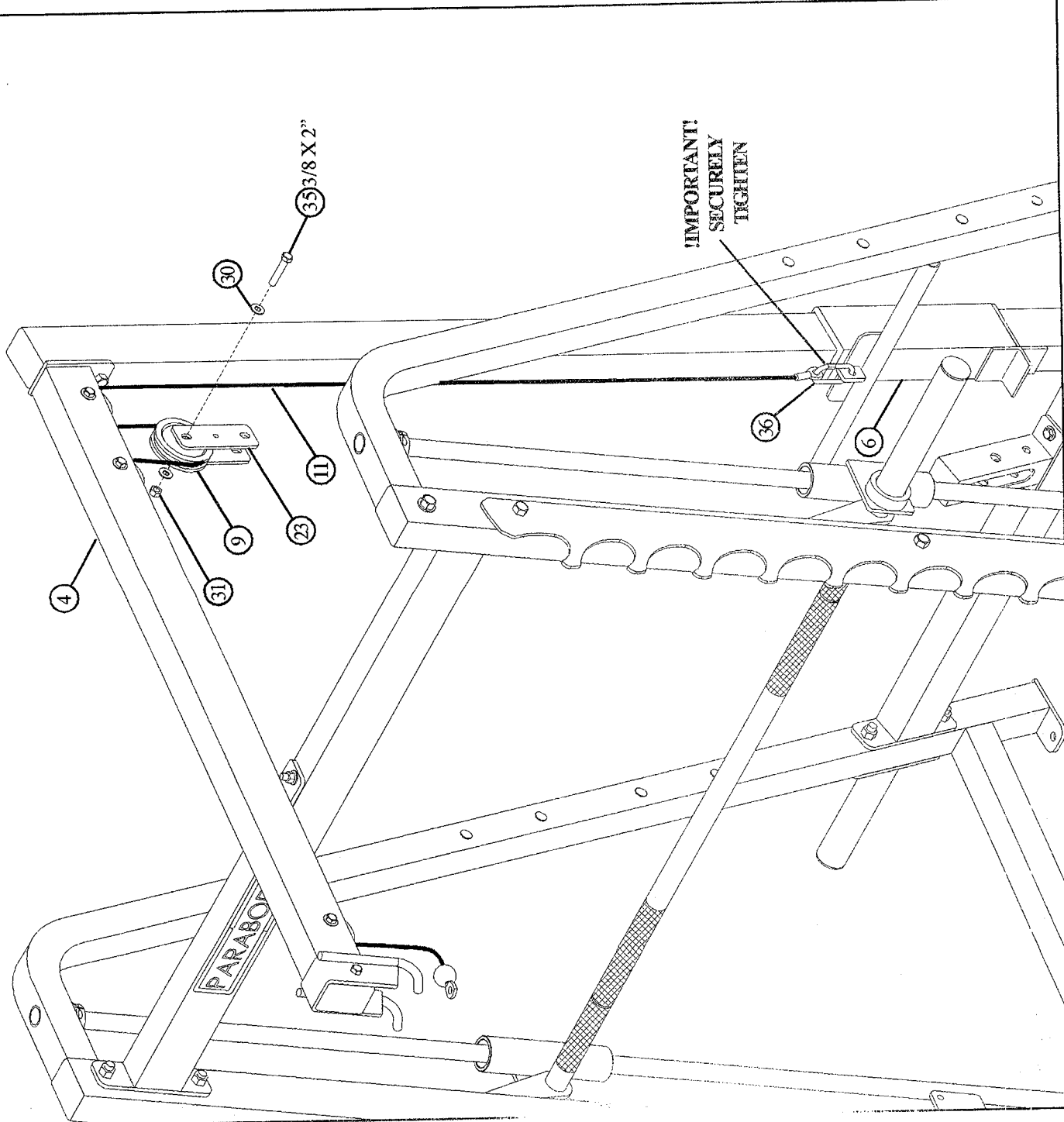


**FIGURE 10**

**STEP 10:**

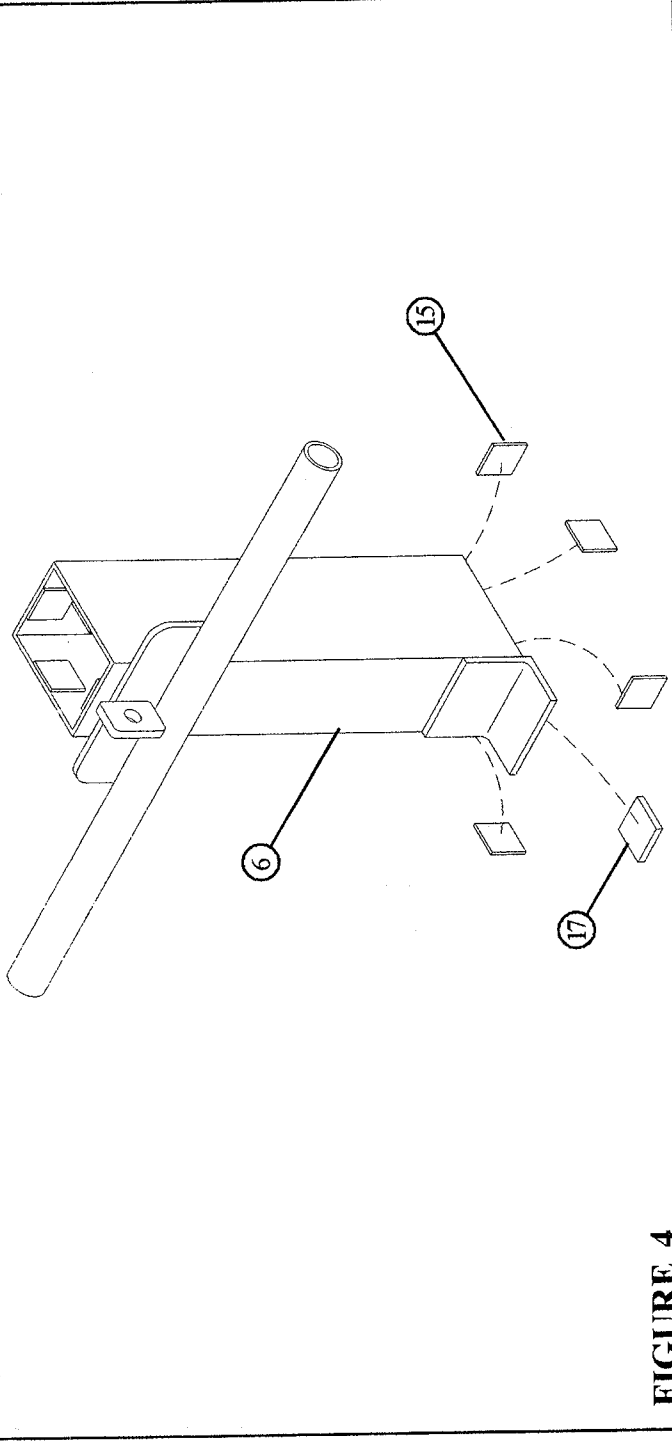
- Route the threaded end of the 121-3/4" CABLE (12) through the slot of the PULLEYHOUSING then **SECURELY** assemble one 4-1/2" PULLEY (10) to the PULLEYHOUSING (3) using two 3/8 X 2-3/4" BOLTS (32), two 3/8" FLANGE SPACERS (33), two 3/8" WASHERS (30), and two 3/8" LOCK NUTS (31). (NOTE: The CABLE (12) should be routed between the pulley and the retaining bolt as shown in FIGURE 10.)

**FIGURE 9**



**STEP 9:**

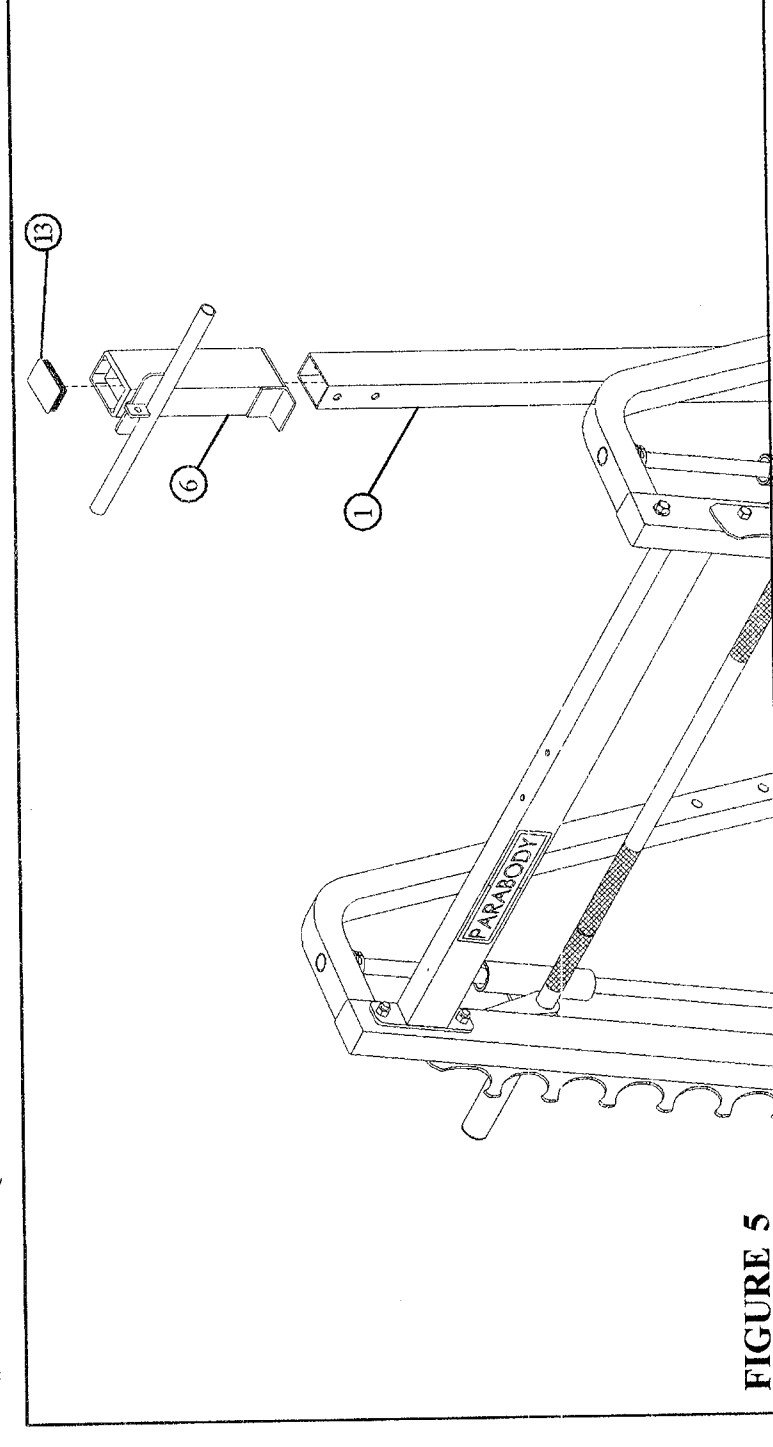
- Attach the CABLE (11) from the TOP BOOM (4) to the CARRIAGE (6) using one 1/4" QUICK LINK (36) as shown in FIGURE 9. **(IMPORTANT! Securely tighten QUICK LINK.)**
- Place one 3-1/2" PULLEY (9) into the loop of the CABLE (12) below the second and third PULLEY of the TOP BOOM (4) as shown in FIGURE 9.
- **LOOSELY** assemble two 3/16 X 1-3/4 X 5-1/4" PLATES (23) to each side of the 3-1/2" PULLEY (9) using one 3/8 X 2" BOLT (35), two 3/8" WASHERS (30), and one 3/8" LOCK NUT (31). See FIGURE 9.



**FIGURE 4**

**STEP 4:**

- Attach eight 1 X 1" GLIDES (15) to the ends of the CARRIAGE (6) as shown in FIGURE 4 using the following steps:
  - Thoroughly clean all surfaces where the 1 X 1" GLIDES (15) are to be attached.
  - Remove the 1 X 1" GLIDES (15) from the paper backing and firmly apply them to all shown surfaces.
- Attach one 1-1/4" SQ. RUBBER BUMPER (17) to the underside of the angle on the CARRIAGE (6) as shown in FIGURE 4.

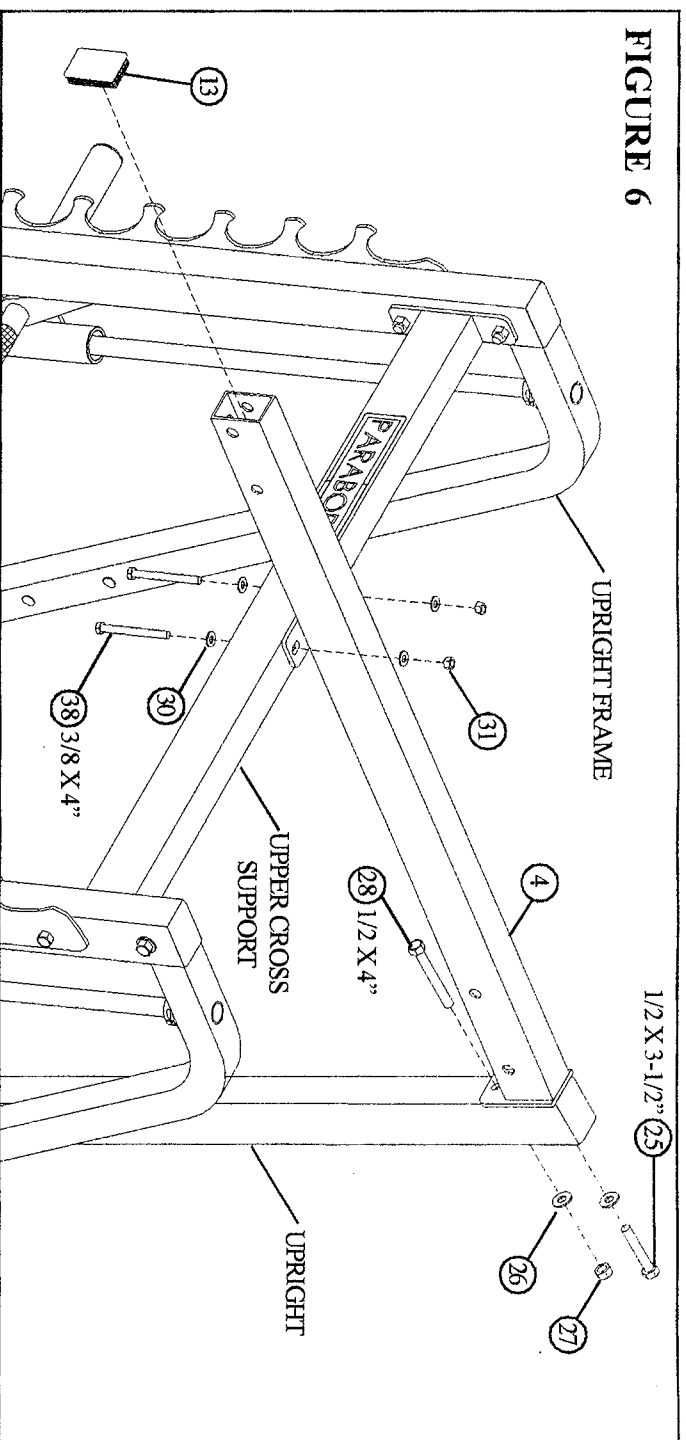


**FIGURE 5**

**STEP 5:**

- **CAREFULLY** slide the CARRIAGE (6) over the UPRIGHT (1) as shown in FIGURE 5.
- Insert one 3 X 2" END CAP (13) into the end of the UPRIGHT (1). See FIGURE 5.

**FIGURE 6**



**STEP 6:**

NOTE: It may be necessary to loosen the 1/2 X 3-1/4" BOLTS of the UPPER CROSS SUPPORT connecting the UPRIGHT FRAME before beginning STEP 6.

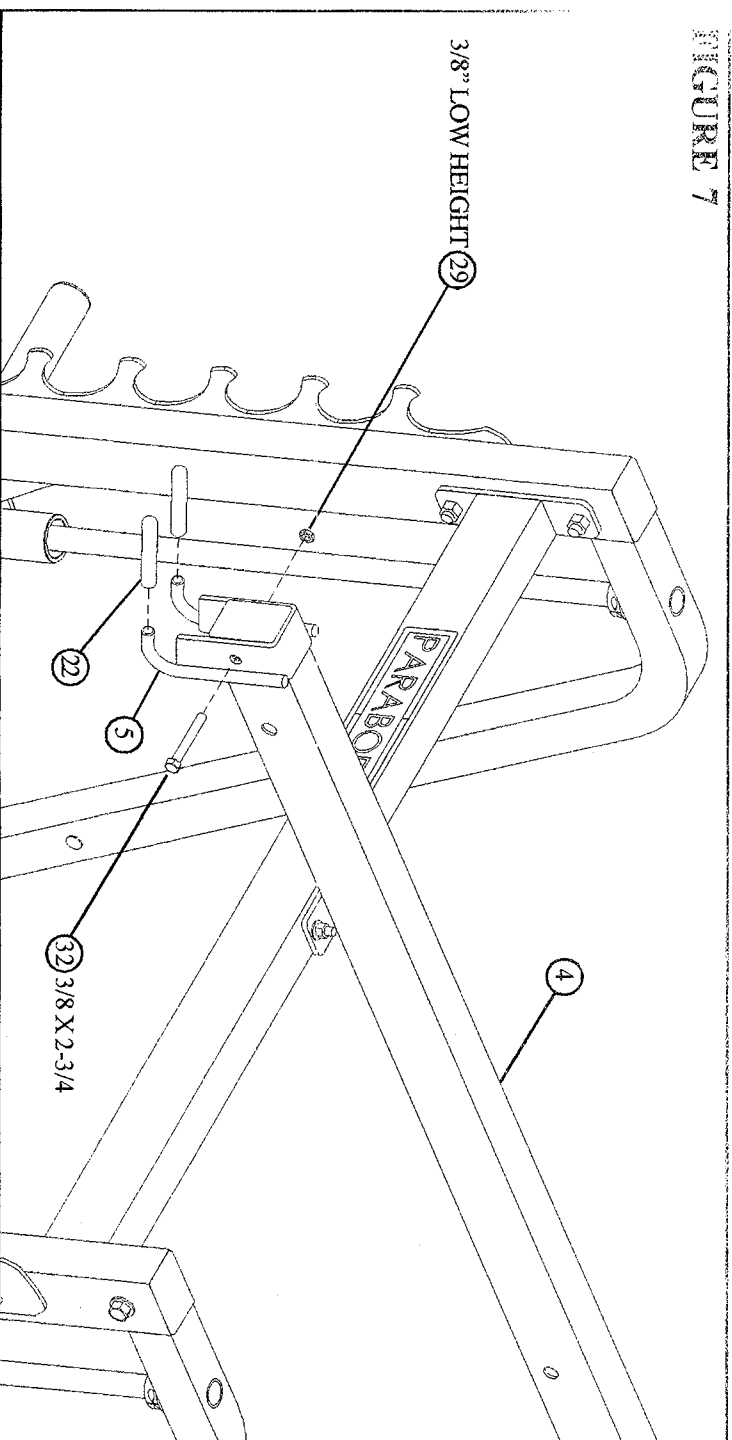
LOOSELY assemble the TOP BOOM (4) to the UPRIGHT (1) using one 1/2 X 4" BOLT (28), one 1/2 X 3-1/2" BOLT (25), two 1/2" WASHERS (26), and one 1/2" LOCK NUTS (27) as shown in FIGURE 6.

LOOSELY assemble the TOP BOOM (4) to the UPPER CROSS SUPPORT using two 3/8 X 4" BOLTS (38), four 3/8" WASHERS (30) and two 3/8" LOCK NUTS (31). See FIGURE 6.

Insert one 3 X 2" END CAP (13) into the end of the TOP BOOM (4). See FIGURE 6.

SECURELY tighten all connections made up to this point.

**FIGURE 7**

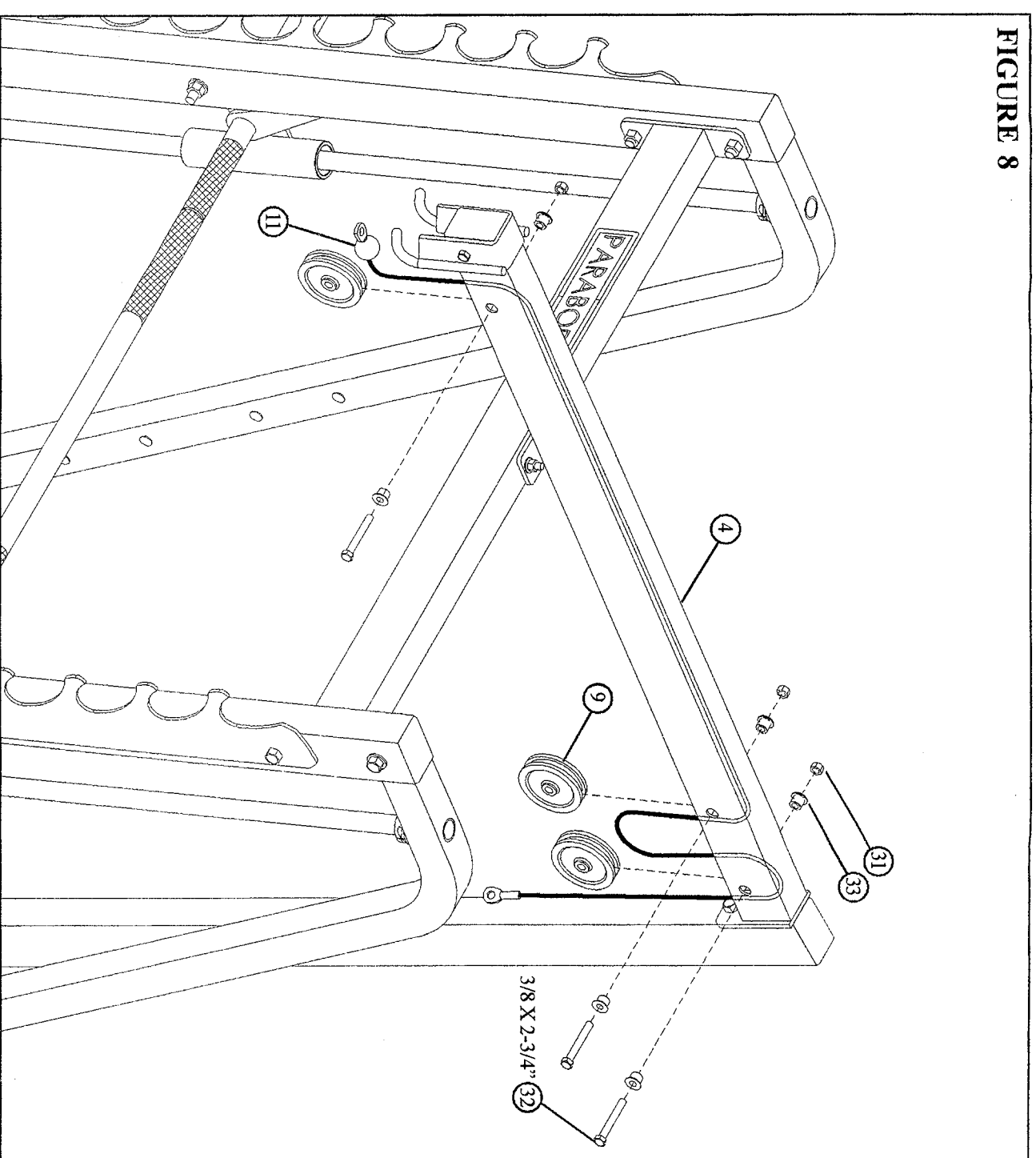


**STEP 7:**

SECURELY assemble the LAT BAR SUPPORT (5) to the TOP BOOM (4) using one 3/8 X 2-3/4" (32) and one 3/8" LOW HEIGHT LOCK NUT (29). See FIGURE 7.

Slide two VINYL CAPS (22) over the LAT BAR SUPPORT (5) as shown in FIGURE 7.

**FIGURE 8**



**STEP 8:**

Route the 115-1/4" CABLE (11) through the TOP BOOM (4) as shown in FIGURE 8.

SECURELY assemble three 3-1/2" PULLEYS (9) into the slots of the TOP BOOM (4) using three 3/8 X 2-3/4" BOLTS (32), six 3/8" FLANGE SPACERS (33), and three 3/8" LOCK NUTS (31) as shown in FIGURE 8. (NOTE: Make sure the cable is routed over all the pulleys.)

