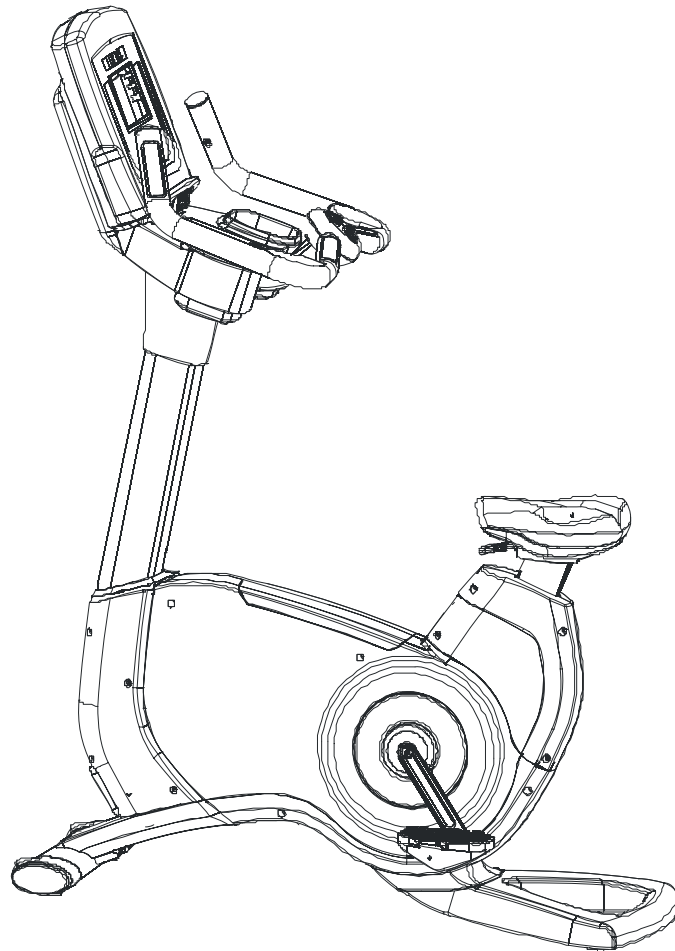


# LifeFitness

Elevation Upright Bikes  
(95C-ALLXX-01)



Customer Support Services  
**PARTS MANUAL** rev 21 Oct 2008

Miscellaneous .....	3
Consoles .....	4
Monocolumn and Console Mounting Bracket .....	5
Shrouds.....	6
Front Stabilizer and Components .....	7
Handlebar and Components .....	8
Pedals and Cranks .....	9
Seat and Seat Post Components .....	10
Battery, Leg Leveler, and Rear Stabilizer .....	11
Generator and Related Components .....	12
Cables.....	13

Description	Part No.
OPERATION MANUAL, CD - (ENG) (available online)	OKCD-02001-0000
(For units equipped with 15" LCD consoles only)+36V POWER SUPPLY  LINE CORD DOM 10A, 125V LINE CORD CONT 10A, 250V LINE CORD U.K. 10A LINE CORD AUSTRALIA LINE CORD CHINA 10A, 250V	0017-00003-1037  0017-00003-0704 0017-00003-0691 0017-00003-0889 0017-00003-0918 0017-00003-1012
TOUCH-UP PAINT: SPRAY CAN .5 OZ BOTTLE W/APPLICATOR .33 OZ PEN	0017-00008-0204 0017-00008-0205 0017-00008-0206
BRKT ASSY: POWER/COAX INPUT ASSEMBLY CONSISTS OF: 1) POWER COAX BRACKET 2) F-TYPE PANEL CONNECTOR 3) PHONE JACK RECEPTACLE	AK66-00036-0000  OK66-01063-0000 0017-00021-2846 0017-00021-2847
HARDWARE BAG	AK67-00038-0000



7-inch Inspire LCD console



15-inch Engage LCD console

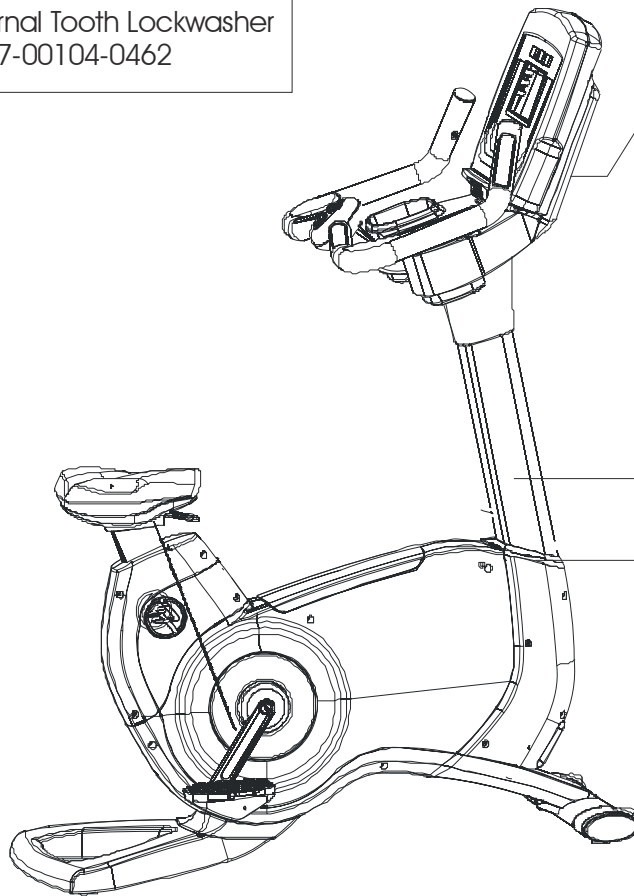


Achieve LED console

Console Assemblies	
Description	Part No.
7-INCH LCD BIKE/CT CONSOLE	07DN-ALLXX-01
15-INCH LCD BIKE/CT CONSOLE DOM - NTSC	15DN-ALLXN-01
15-INCH LCD BIKE/CT CONSOLE INT - PAL	15DN-ALLXP-01
LED BIKE/CT CONSOLE - DOMESTIC	LEDN-DOMXX-01
LED BIKE/CT CONSOLE - INTERNATIONAL	LEDN-INTXX-01

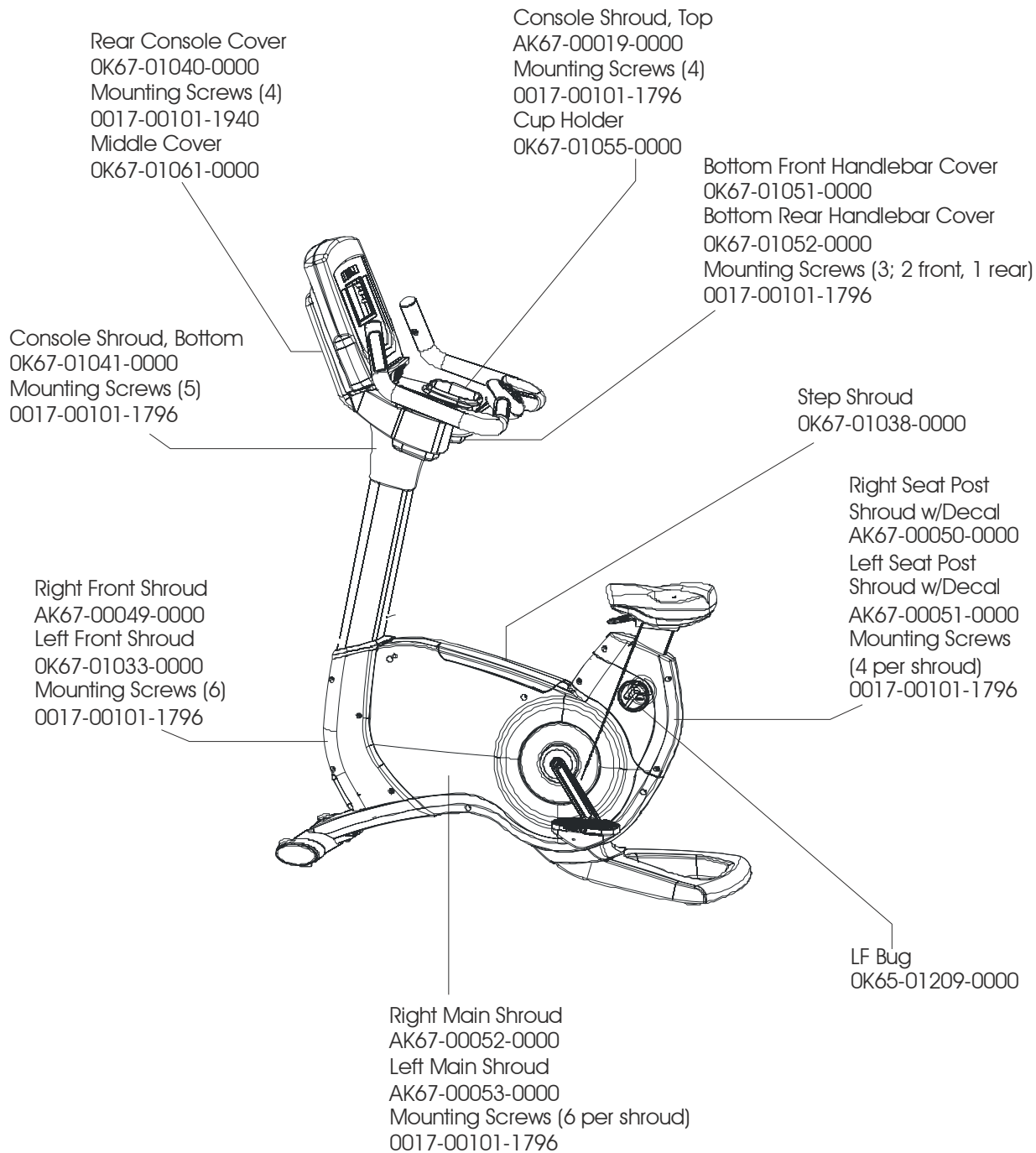
Ground Cable  
(support to console)  
AK67-00105-0000  
Mounting Screw  
0017-00101-1986  
Internal Tooth Lockwasher  
0017-00104-0462

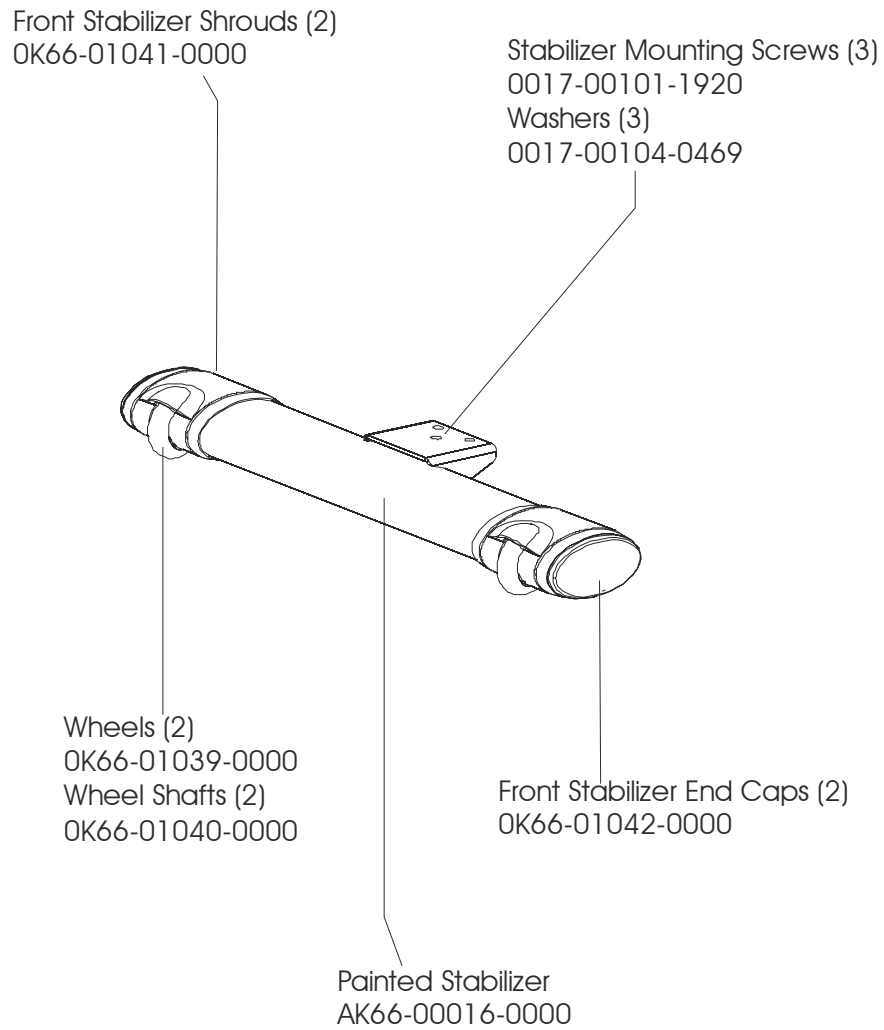
Console Mounting Bracket Assembly  
AK67-00024-0000  
Mounting Screws (3)  
0017-00101-1944  
Hex Nuts (3)  
0017-00103-0341

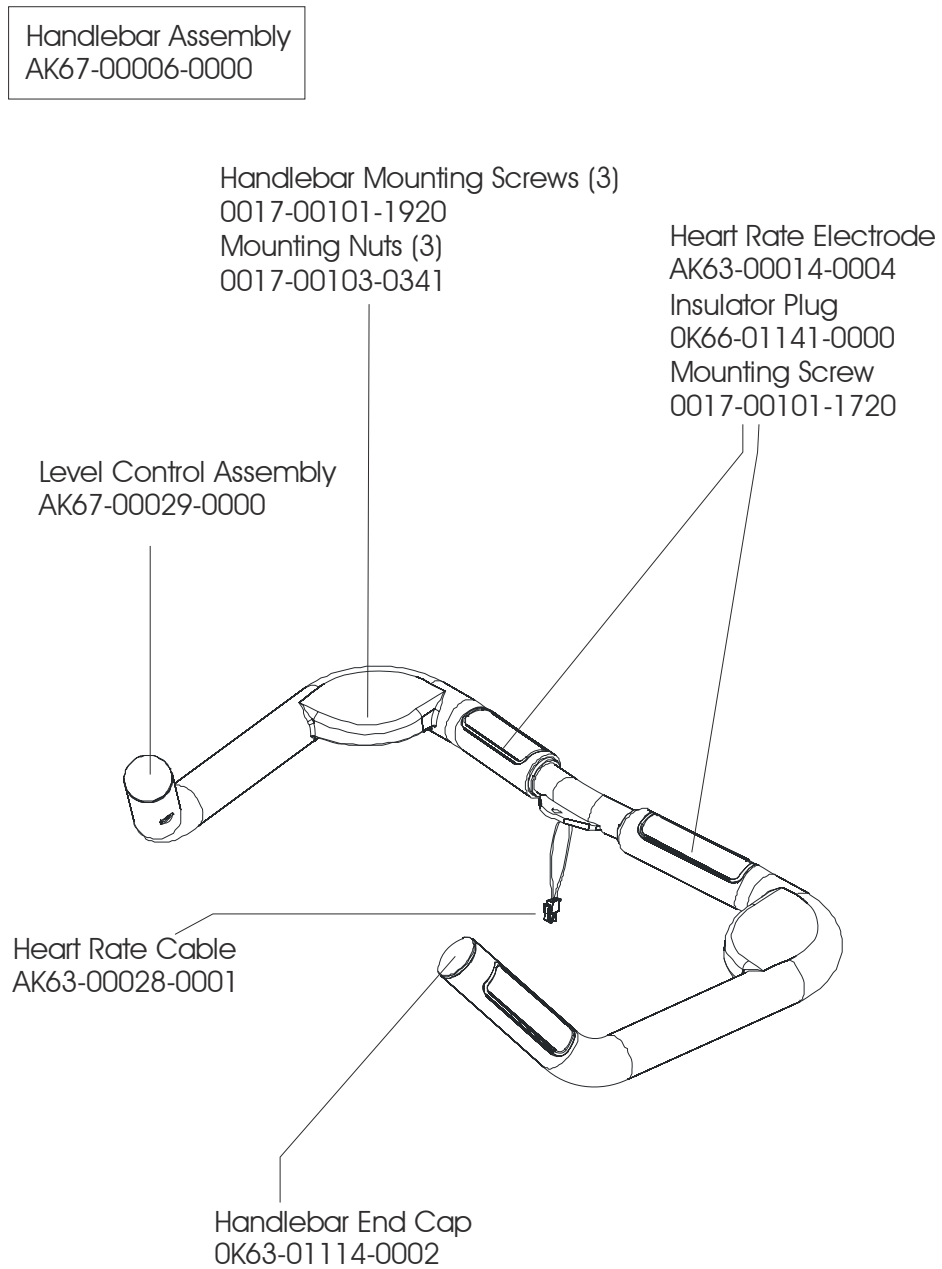


Monocolumn  
AK67-00055-0000  
Mounting Screws (3)  
0017-00101-2028  
Washers (3)  
0017-00104-0469

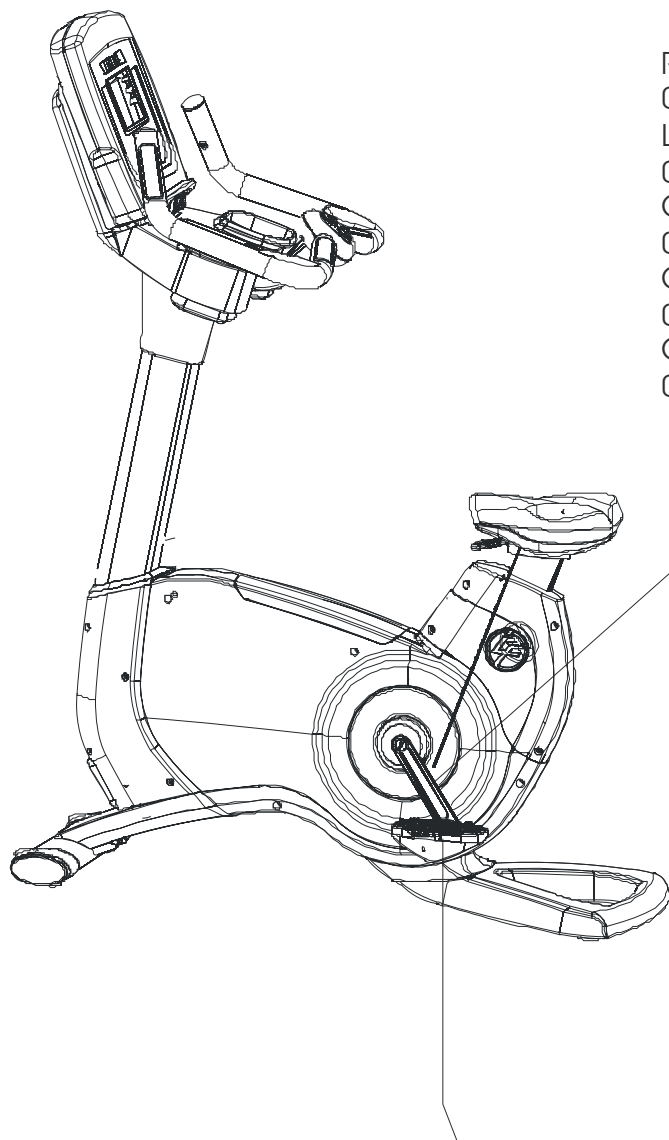
Upright Gasket  
OK67-01039-0000







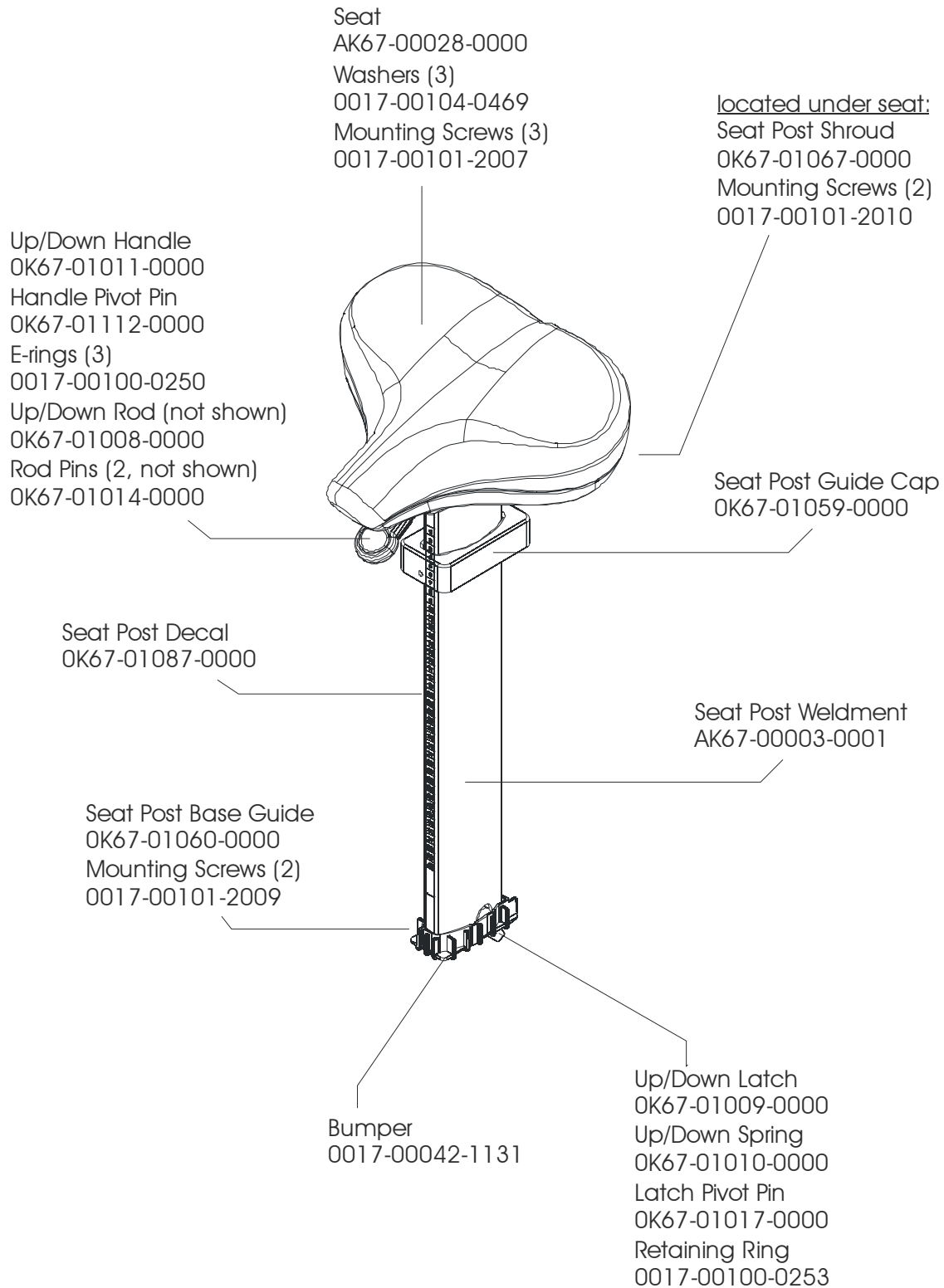




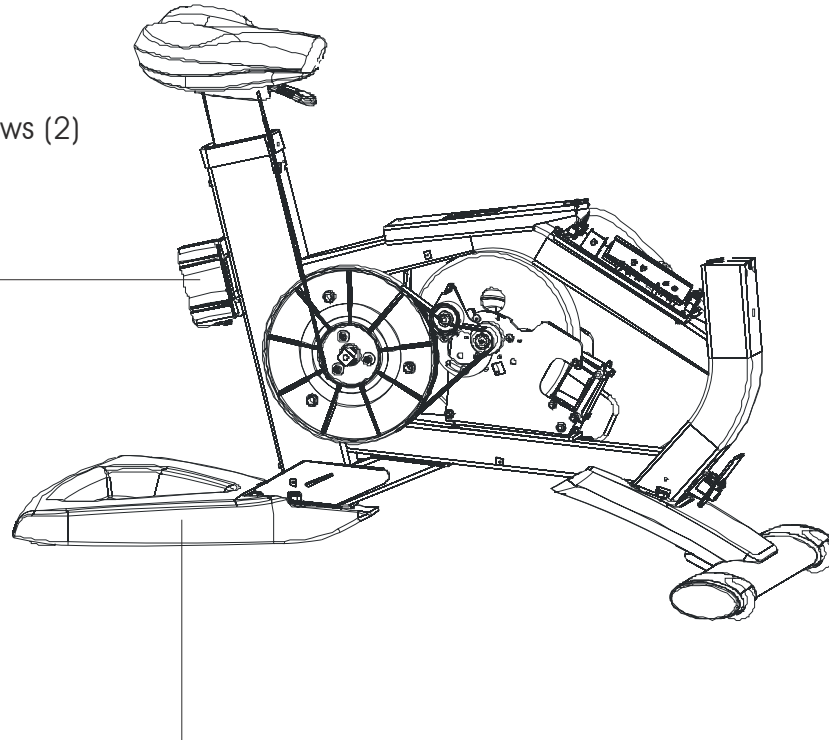
Right Crank Arm  
OK66-01006-0003  
Left Crank Arm  
OK66-01006-0004  
Crank Connector Plate  
OK66-01096-0000  
Crank Screw  
0017-00101-2033  
Crank Cap  
OK66-01121-0000

When replacing either  
crank arm, the crank  
connector plate and  
the crank screw must  
also be replaced.

Right Pedal w/Strap  
AK66-00047-0000  
Left Pedal w/Strap  
AK66-00048-0000



6V Battery  
0017-00003-0685  
Battery Mounting Screws (2)  
0017-00101-2011  
Washers (2)  
0017-00104-0466



Rear Stabilizer  
OK66-01131-0000  
Rear Stabilizer Mounting Screws (4)  
0017-00101-1920  
Washers (4)  
0017-00104-0469  
Leg Levelers (2)  
AK62-00124-0000

