



HEARTH PRODUCTS

INSTALLATION INSTRUCTIONS

MERIT® SERIES

36" Wood Burning Fireplaces
P/N 850,046M REV. A 12/2008

MODELS

RDI-36
RDI-36-H

HCI-36
HCI-36-H



This installation manual will enable you to obtain a safe, efficient and dependable installation of your fireplace system. Please read and understand these instructions before beginning your installation.

Do not alter or modify the fireplace or its components under any circumstances. Any modification or alteration of the fireplace system, including but not limited to the fireplace, chimney components and accessories, may void the warranty, listings and approvals of this system and could result in an unsafe and potentially dangerous installation.

IMPORTANT! TO ASSURE PROPER ALIGNMENT OF GLASS DOORS: INSTALL THIS FIREPLACE IN A SQUARE AND PLUMB CONDITION, USING SHIMS AS NECESSARY AT SIDES AND/OR BOTTOM.

INSTALLER: Leave this manual with the appliance.
CONSUMER: Retain this manual for future reference.



We suggest that our woodburning hearth products be installed and serviced by professionals who are certified in the U.S. by the National Fireplace Institute® (NFI) as NFI Woodburning Specialists or who are certified in Canada by Wood Energy Technical Training (WETT).



WH Report No. J9902-5865C-231

TABLE OF CONTENTS

Safety Rules	page 2
Tools and Building Supplies	page 2
Precautions	page 3
Introduction	page 3
Clearances/Height Requirements	page 3
Chimney System	page 3
Assembly Outline	page 4
Location of Fireplace	page 4
Assembly Steps	page 5
Preinstallation Notes	page 5
Clearances	page 5
Installing the Fireplace	page 5
Fireplace Specifications	page 6
Framing Specifications	page 7
Installing the Chimney System	page 8
30° Offset through Floor/Ceiling	page 9
Ten Foot Rule Summary	page 11
Multiple Terminations	page 11
Chimney Component Calculations ...	page 11
Special Offset Instructions	page 12
Offset Calculations	page 12
Vertical Elevation Chart	page 12
Offset Elevation Chart	page 13
Installing Offsets	page 14
Optional Equipment Considerations	page 14
Forced Air Kits	page 14
Combustion Air Kits	page 15
Gas Line Connection	page 15
Vent Free Appliances	page 15
Glass Doors	page 16
Cold Climate Insulation	page 16
Fireplace Finishes	page 16
Mantels and Trim	page 16
Hearth Extensions/Wall Shields	page 16
Finish Requirements	page 18
Installation Components	page 19

IMPORTANT: PLEASE READ AND UNDERSTAND THESE RULES TO FOLLOW FOR SAFETY.

1. Before starting your fireplace installation, read these installation instructions carefully to be sure you understand them completely and in entirety. Failure to follow them could cause a fireplace malfunction resulting in serious injury and/or property damage.

2. Always check your local building codes. The installation must comply with all local, regional, state and national codes and regulations.

3. These fireplaces must be installed with Security Chimneys FTF8 (8" inside diameter) Chimney System only. These systems are intended for use in any application where a traditional masonry type fireplace would apply. The chimney system must always vent to the outside of the building.

4. To ensure a safe fireplace system and to prevent the build-up of soot and creosote, inspect and clean the fireplace and chimney prior to use and periodically during the heating season.

5. Use solid fuel only. DO NOT use artificial wax based logs, chemical chimney cleaners or flame colorants in your fireplace.

6. DO NOT use charcoal or coal under any circumstances.

7. NEVER use gasoline, gasoline-type lantern fuel, kerosene, charcoal lighter fluid, or similar liquids to start or "freshen up" a fire in this fireplace. Keep any flammable liquids a safe distance from the fireplace.

8. NEVER leave children unattended when there is a fire burning in the fireplace.

9. Always keep flue damper open when heat is present in the fireplace.

10. Before servicing, allow the fireplace to cool. Always shut off any electricity or gas to the fireplace while working on it. This will prevent any possible electrical shock or burns.

11. This fireplace is not intended to heat an entire home or be used as a primary heat source. It is designed to ensure homeowner comfort by providing supplemental heat to the room.

12. Always ensure an that adequate supply of replacement combustion air from the outside of the house is accessible to the fire to support normal combustion. Fireplaces consume large volumes of air during the normal combustion process. In the event the home is tightly sealed with modern energy efficient features, the optional combustion air kit may not provide all the air required to support combustion.

The manufacturer is not responsible for any smoking or related problems that may result from the lack of adequate combustion air. It is the responsibility of the builder/contractor to ensure that adequate combustion air has been provided for the fireplace.

13. DO NOT use a fireplace insert or any other products not specified herein by the manufacturer for use with this fireplace. All gas log sets must be operated with the damper clamped open, including unlisted "vent free" log sets. Listed "vent-free" log sets may be operated with the damper closed.

14. "Smoke free" operation is not warranted nor are we responsible for inadequate system draft caused by mechanical systems, general construction conditions, inadequate chimney heights, adverse wind conditions and/or unusual environmental factors or conditions beyond our control.

15. Never, under any circumstances, install a fireplace, chimney component or any accessories, that has visible or suspected physical damage as a result of handling or transportation. These items should be inspected by your distributor or qualified factory representative to ensure safe condition. When in doubt, consult your distributor.

16. For additional safety considerations and complete operating instructions, refer to the Care and Operation Manual provided with the fireplace.

TOOLS AND BUILDING SUPPLIES NORMALLY REQUIRED

Tools should include:

- Phillips screwdriver
- Hammer
- Saw and/or sabersaw
- Level
- Measuring tape
- Plumb line
- Electric drill and bits
- Pliers
- Square

Building supplies:

- Framing materials
- Wall finishing materials
- Caulking materials (noncombustible)
- Fireplace surround and hearth extension materials (noncombustible)

PRECAUTIONS

Note: These fireplace systems are not difficult to install. However, in the interest of safety, it is recommended that the installer be a qualified or certified "tradesman" familiar with commonly accepted fireplace installation and safety techniques as well as prevailing local codes.

The most important areas of concern dealing with the installation of factory-built fireplaces are clearances to combustibles, proper assembly of component parts, height of the chimney system, the proper use of accessories supplied by the manufacturer and the techniques employed in using finishing materials applied to the wall surrounding the fireplace, hearth extensions and wall shields. Each of these topics will be covered in thorough detail throughout this manual. Please give each your special attention as you progress with your installation.

INTRODUCTION

General Information

These fireplaces are conventional radiant heat fireplaces with standard bar grates, optional outside combustion air kits and optional decorative glass doors. The "C" models are designed as heat circulating fireplaces and may be fitted with accessory fans.

TYPICAL INSTALLATION

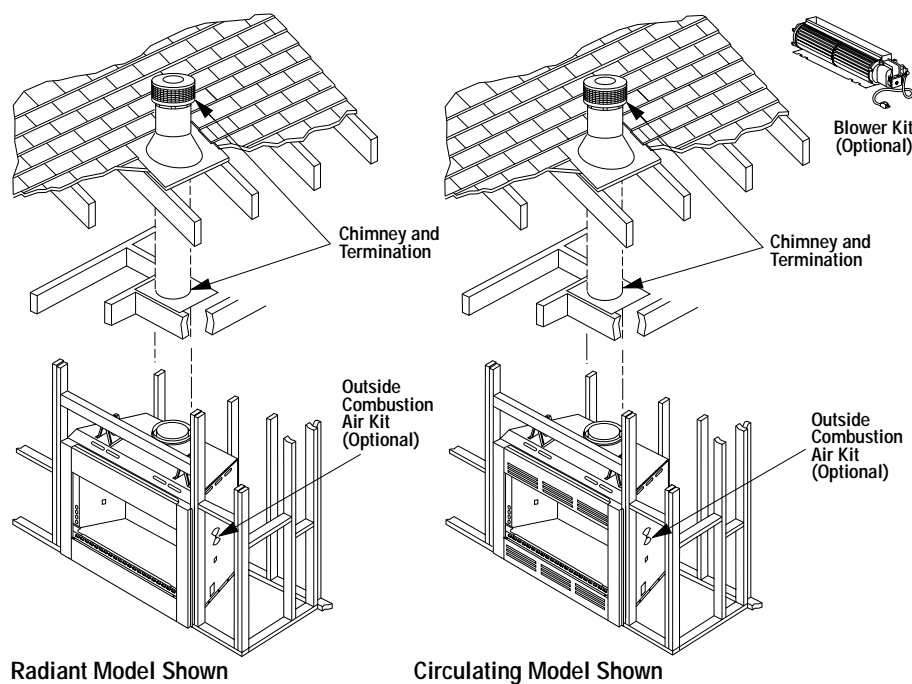


Figure 1

Note: Illustrations shown reflect "typical" installations with nominal dimensions and are for design and framing reference only. Actual installations may vary due to individual design preferences. However, always maintain minimum clearances to combustible materials and do not violate any specific installation requirements.

These fireplaces have been tested and listed by Warnock Hersey (Report No. J9902-5865C-231) to U.L. standard 127. These units are intended for installation in residential homes and other buildings of conventional construction including commercial, not in mobile homes.

These fireplaces have been tested for installation in Canada to ULC-S610. **For installations in Canada, the chimney clearance to combustibles must be 2 inches and the Cold Climate Kit must be installed.**

These fireplace systems are designed for installation in accordance with the National Fire Protection Standard for chimneys, fireplaces and solid fuel burning appliances; NFPA 211 and in accordance with codes such as the BOCA Basic/National Codes, the Standard Mechanical Code and the Uniform Building Codes.

WARNING: FAILURE TO USE MANUFACTURE PROVIDED PARTS, VARIATIONS IN TECHNIQUES AND CONSTRUCTION MATERIALS OR PRACTICES OTHER THAN THOSE DESCRIBED IN THIS MANUAL MAY CREATE A FIRE HAZARD AND VOID THE LIMITED WARRANTY.

When complete these fireplace systems consists of five basic "sub-systems":

1. The Fireplace
2. The Chimney and Termination
3. The Optional Glass Doors
4. The Optional Combustion Air Kits
5. Optional Cold Climate Kit (Mandatory in Canada).

CLEARANCES AND HEIGHT REQUIREMENTS

The fireplace may be placed on or near normal construction materials*. The combustion air kit, firestop spacer and roof flashing (not chase flashings) may be placed directly on or against normal construction materials.* **The chimney requires a minimum 2" air space clearance to combustibles. The fireplace outer wrapper requires a minimum 1" air space clearance to combustibles.** A combustible mantle may be installed 12" above the opening of the fireplace as per NFPA 211, Section 7-2.3.3. In Canada, the minimum is 18" above the fireplace opening.

The minimum installed height of the completed fireplace system is 15' 0". The maximum height is 60' 0".

The fireplace and chimney system must be enclosed when installed in or passing through a living area where combustibles or people may come in contact with it. This is important to prevent possible personal injury or fire hazard.

For questions, please call your distributor or the manufacturer. Special restrictions apply to the front and facing of the fireplace and nearby walls (See pages 16, 17 and 18).

CHIMNEY SYSTEM

These fireplaces are designed and code listed for use with Security Chimneys FTF8 chimney System only. Always use Security Chimneys FTF8 chimney components with these fireplaces. Do not modify or alter these components as this may cause a potential serious hazard and void the Warranty.

*Construction Materials:

- framing materials
- particle board
- dry wall
- plywood
- paneling
- flooring
- etc.

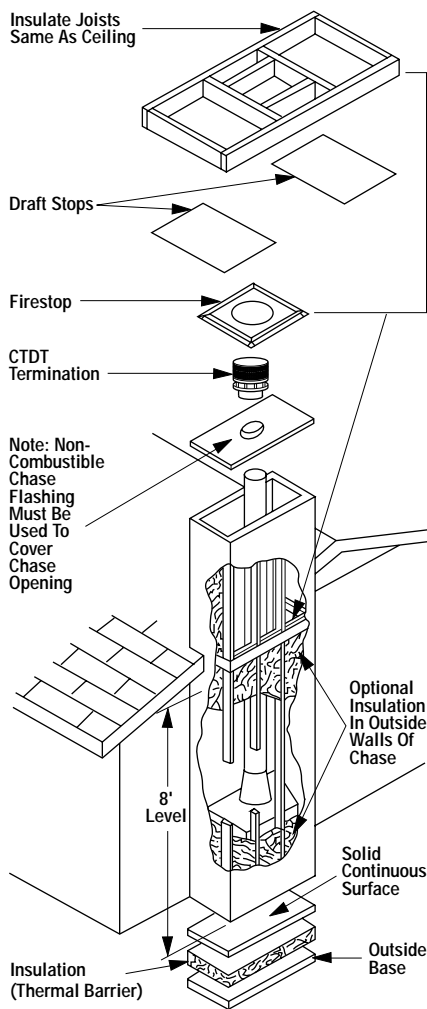


Figure 2

WARNING: IF INSULATION IS USED, THE FIREPLACE MUST NOT BE PLACED DIRECTLY AGAINST IT. INSULATION OR VAPOR BARRIERS, IF USED, MUST FIRST BE COVERED WITH GYPSUM BOARD, PLYWOOD, PARTICLE BOARD OR OTHER MATERIAL TO ASSURE INSULATION AND VAPOR BARRIERS REMAIN IN PLACE.

WARNING: DO NOT PACK OR FILL REQUIRED AIR SPACES WITH INSULATION OR OTHER MATERIAL. NO MATERIAL IS ALLOWED IN THESE AREAS.

Note: Do not insulate the chase cavity with blown or fill type insulation materials.

Note: Local codes may not require firestopping at the ceiling levels for outside chase installations. However, it is recommended for safety and the reduction of heat loss.

Chimney Height

The total height of your completed fireplace system from the surface the fireplace rests on to the chimney top must not exceed 60' and must also meet minimum height requirements. Refer to the minimum system height chart.

Minimum System Height

Security's FTF8 Pipe	
Vertical Installation	15' 0"
One Offset	15' 0"
Two Offsets	25' 0"

Chase Enclosure

A chase is a vertical box-like structure constructed to surround the fireplace and chimney. Refer to **Figure 2** for a typical chase configuration. As with all chimney installations, avoid overhead obstructions such as trees, power lines, etc. A chase should be constructed and insulated just like any outside wall. In a cold climate, we recommend the base of the chase should also be insulated between the solid continuous floor beneath the fireplace and the chase bottom. Chase insulation in a cold climate installation is not required for safety.

ASSEMBLY OUTLINE Before You Start

Check your inventory list to be sure you have all the necessary parts supplied in good usable condition. Check also for any concealed damage.

Check the operation of the damper. The damper is controlled through the use of a control lever located within the firebox opening at the top center just behind the firebox lintel (**Figure 3**). The control lever snaps into place at the extreme range of motion, up and back in the closed position. When pulled forward and down, the damper is open.

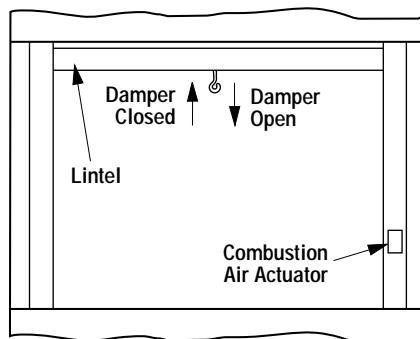


Figure 3

LOCATION OF FIREPLACE

Carefully select the proper location for heat circulation, aesthetics, chimney obstructions and clearance to side wall(s). With proper pre-planning, a slight adjustment of a few inches can save considerable time and expense later during construction and assembly.

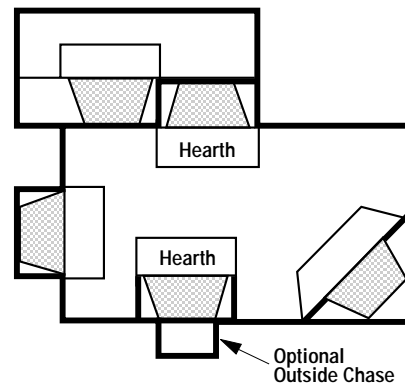


Figure 4

Carefully consider the position of the fireplace opening with respect to the location of adjacent or nearby stairwells, bath or kitchen exhaust fans and/or return air registers for forced air furnaces/air conditioners that could cause a smoking fireplace condition if the house is tightly insulated.

When locating the fireplace, consideration must be given to combustibles and final finishing. See **Figure 5** and confine the final location of combustible finish materials to the "Safe Zone".

DO NOT permanently place furniture or other items such as decorative pillows within 60" of the fireplace front face.

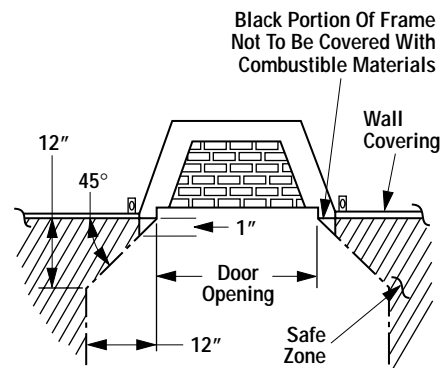


Figure 5

ASSEMBLY STEPS

Note: The following steps represent the normal sequence of installation. Each installation is unique, however, and might require a different sequence.

1. Position firebox prior to framing or into prepared framing.
2. Install the chimney system.
3. Connect house wiring to the fireplace for later attachment of optional blower.
4. Install optional outside combustion air kit.
5. Plumb gas line if a decorative gas appliance will be used. (Gas connections should only be performed by an experienced, licensed/certified tradesman.)
6. Complete the installation, finish wall material, surround and hearth extension to your individual taste.
7. Assemble and attach optional glass door assembly.

Study the three dimensional illustration (*Figure 1*) to get a general idea of each element of your fireplace system.

PRE-INSTALLATION NOTES

The fireplace may be installed directly on a combustible floor or raised on a platform of an appropriate height. Do not place fireplace on carpeting, vinyl or other soft floor coverings. It may, however, be placed on flat wood, plywood, particle board or other hard surfaces. Be sure fireplace rests on a solid continuous floor or platform with appropriate framing for support and so that no cold air can enter the room from under the fireplace.

The fireplace may be positioned and then the framing built around it, or the framing may be constructed and the fireplace positioned into the opening.

Usually, no special floor support is needed for the fireplace, however, to be certain:

1. Estimate the total weight of the fireplace system including chimney and surround materials such as brick, stone, etc., to be installed. Shipping weights for the fireplace may be found on page 18.

2. Measure the square footage of the floor space to be occupied by the system, surrounds and hearth extensions.

3. Note the floor construction, i.e. 2 x 6's, 2 x 8's or 2 x 10's, single or double joists, type and thickness of floor boards.

4. Use this information and consult your local building code to determine if you need additional support.

CAUTION: DO NOT BLOCK THE HEAT-CIRCULATING AIR INLET AND OUTLET PORTS ON CIRCULATING MODELS. DOING SO MAY RESULT IN A POTENTIAL FIRE HAZARD.

If you plan to raise the fireplace and hearth extension, build the platform assembly then position fireplace and hearth extension on top. Secure the platform to the floor to prevent possible shifting.

CLEARANCES

Minimum clearance to combustibles for the appliance is as follows: sides and back - 1" (25 mm), floor - 0" (0 mm), adjacent wall - 12" (305 mm), ceiling - 37-1/2" (953 mm).

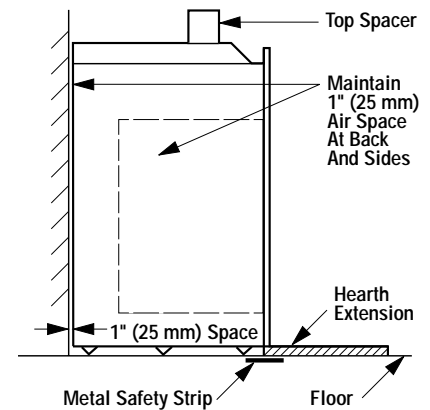
INSTALLING THE FIREPLACE

Step 1. Slide the fireplace into prepared framing or position fireplace in its final position and frame later.

The fireplace may not be recessed into a combustible floor. Maintain the floor to hearth clearance established by the fireplace lower front face.

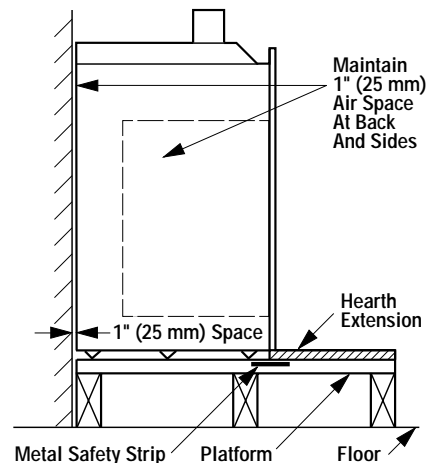
Step 2. Insert the provided metal safety strips, beneath the fireplace as illustrated (*Figures 6, 7 and 8*). The safety strips should overlap 1/2" for continual coverage of the floor.

Note: Safety strips are not required when fireplace rests on a noncombustible surface.



Note: Hearth extensions must not interfere with circulating grillwork

Figure 6



Note: Hearth extensions must not interfere with circulating grillwork

Figure 7

Note: Install the hearth extension only as illustrated.

The safety strips should extend from front of the fireplace at least 1-1/2" and should extend to be at least flush with the sides. In the event a wooden support is used to elevate the fireplace above the floor, a "Z" type safety strip should be fabricated and used to protect the front surface of the wood support as well as the floor beneath the hearth extension (*Figures 8 and 9*). The safety strips should be tacked down to prevent possible movement.

Note: The "Z" type safety strip is not supplied.

FIREPLACE SPECIFICATIONS

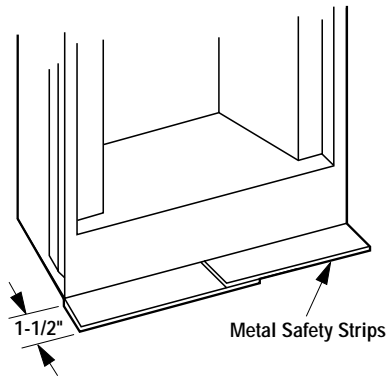


Figure 8

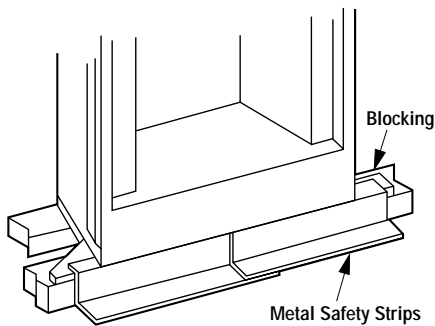


Figure 9

Step 3. Refer to fireplace drawings and specifications on pages 6 and 7 for framing dimensions and details. Frame appliance enclosure as illustrated in *Figures 11 through 14* on page 8.

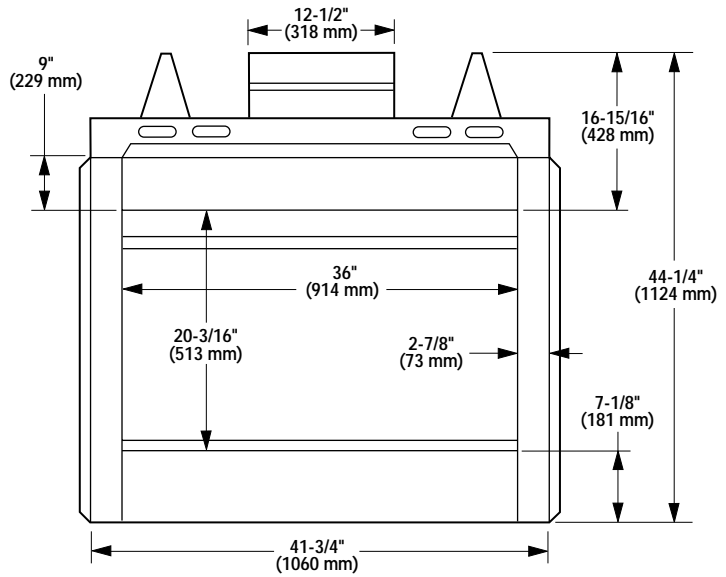
IMPORTANT: UNDER NO CIRCUMSTANCES CAN THE FIREPLACE TOP SPACERS (FIGURE 10) BE REMOVED OR MODIFIED, NOR MAY YOU NOTCH THE HEADER TO FIT AROUND OR BE INSTALLED LOWER THAN THE SPACERS. THE HEADER MAY BE IN DIRECT CONTACT WITH THE TOP SPACERS BUT MAY NOT BE SUPPORTED BY THEM.

Note: The framed depth, 21-3/4" (552 mm) from a framed wall, must always be measured from a finished surface. If a wall covering such as drywall is to be attached to the rear wall, then the 21-3/4" (552 mm) must be measured from the drywall surface. It is important that this dimension be exact.

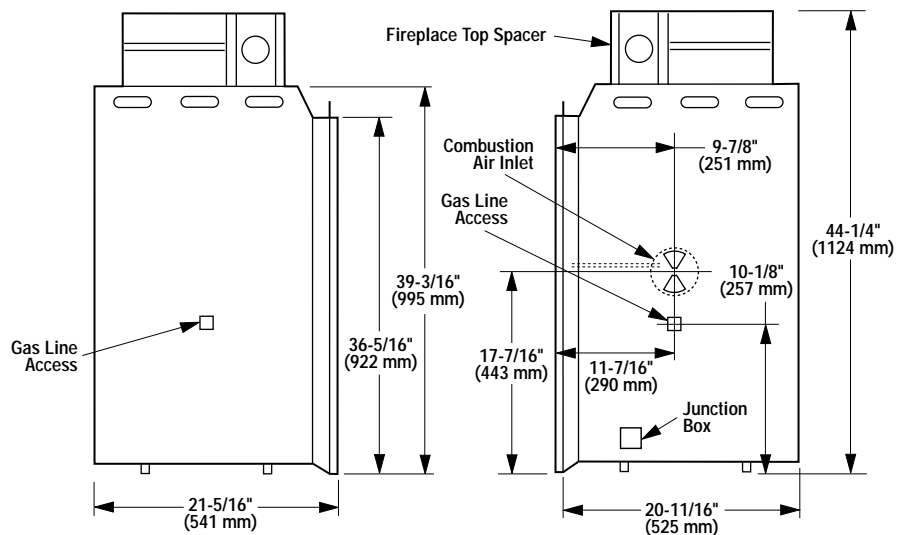
If the appliance is to be elevated above floor level, a solid continuous platform must be constructed.

The header may rest on the top metal spacers, but must not be notched to fit around them.

Consult all local codes.

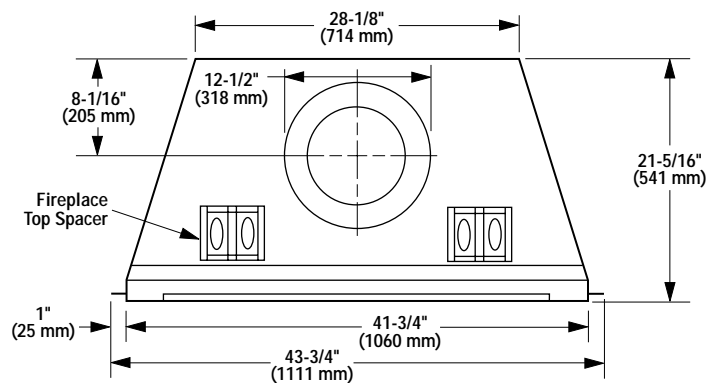


Front



Left Side

Right Side

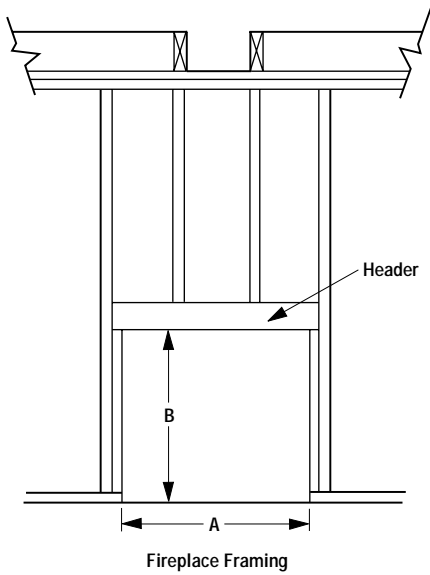


Top View

Figure 10

NOTE: DIAGRAMS & ILLUSTRATIONS NOT TO SCALE.

FRAMING SPECIFICATIONS



Note: When Framing With 6" Studs Header Must Be 17" (432mm) Higher. Use Security's OR15 Offset/Return Elbow To Recess The Chimney Back 2 1/2" (64mm). Maintain Required Clearance To Chimney At All Times.

Figure 11

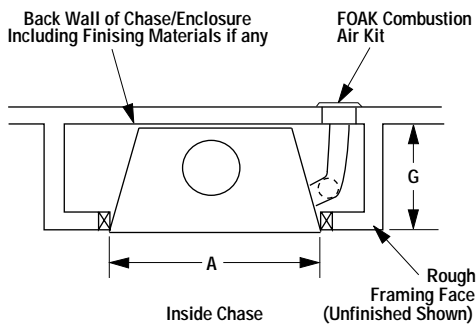


Figure 12

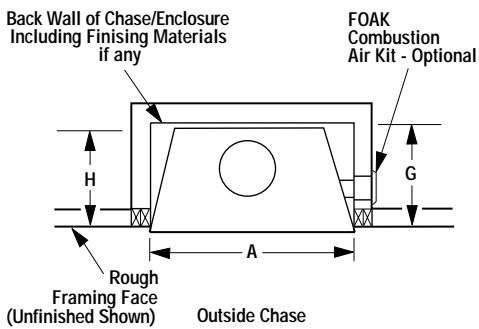


Figure 13

Framing Dimensions

A	43"	1092 mm
B	44-1/2"	1130 mm
C	29-1/2"	749 mm
D	15-3/4"	400 mm
E	73"	1854 mm
F	36-1/2"	927 mm
G	21-3/4"	552 mm
H	20-3/4"	527 mm
J	51-5/8"	1311 mm

Note: All framing dimensions calculated for 5/8" nailing flange depth and 1/2" dry wall at the fireplace face. If sheathing the chase or finishing with other thickness materials, calculations will need to be made.

Note: C and G dimensions include 1" clearance to combustibles.

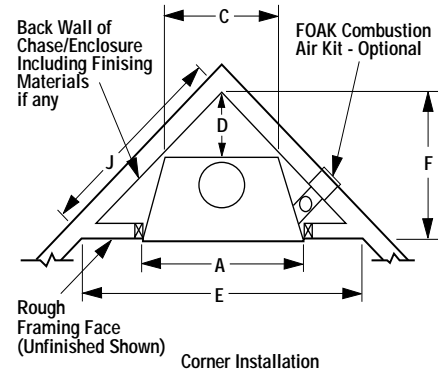


Figure 14

Framing Dimensions for Ceiling

Flue Type	A	B
FTF8 Vertical	16-1/2" (419 mm)	16-1/2" (419 mm)
FTF8 Offset 30°	16-1/2" (419 mm)	25" (635 mm)

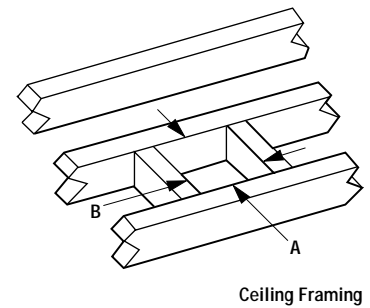


Figure 15

Framing Dimensions for Roof

Pitch	C	D*
0/12	16-1/2" (419 mm)	16-1/2" (419 mm)
6/12	16-1/2" (419 mm)	19" (483 mm)
12/12	16-1/2" (419 mm)	23-1/2" (597 mm)

* Perpendicular to roof ridge

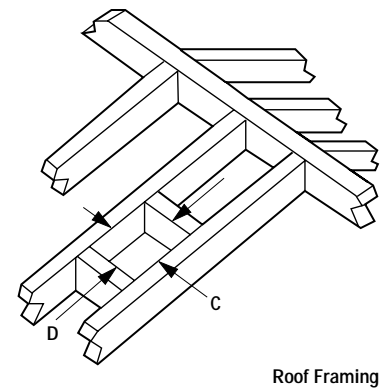


Figure 16

Step 4. Fireplace should be secured to side framing members using the full length nailing tabs at the top and bottom of the fireplace front face. Use 8d nails or equivalent (*Figure 17*).

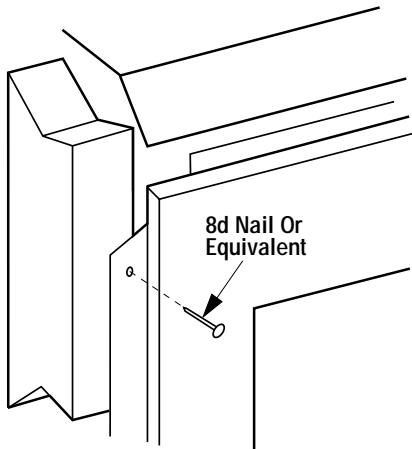


Figure 17

Note: The nailing tabs and the area directly behind the nailing tabs are exempt from the clearances described on page 5. Maintain at least 1/2" clearance from the firebox wrapper to the framing at the closest point of contact, directly adjacent to the flange.

For Canadian Installations

A cold Climate Kit FTF8-CCK2-LD must be installed. CCK2 kits are available from FireCraft through your local dealer. Installer must supply suitable length of 6" Diameter, class "0" metallic air duct.

Proceed with Steps 5 through 8

Step 5. Install the Cold Climate Kit to the fireplace following the instructions provided with the kit, (*Figure 18*).

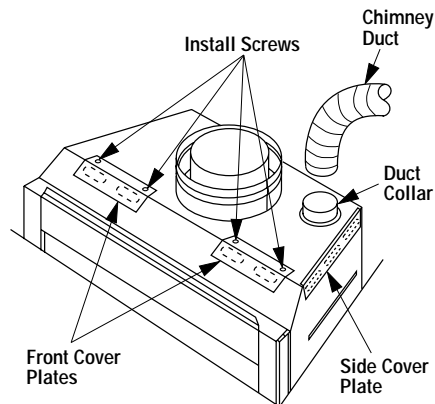


Figure 18

Step 6. Connect the 6" (102 mm) Class 0 air duct provided by installer, to the duct collar on the fireplace and secure with two (2) screws from the kit's hardware package.

Step 7. Route the Class 0 air duct out the back or side wall, up through the ceiling or floor joists to an outside wall. The air inlet hood should be located above snow level or above any anticipated snow level, (*Figure 19*).

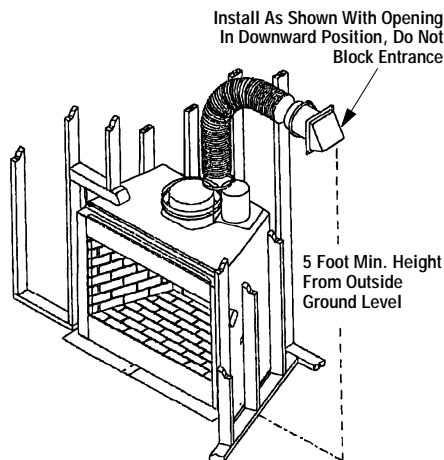


Figure 19

Note: If the fireplace is installed against an inside wall, the class 0 air duct may be extended into a ventilated attic space at least 18" (475mm) above the attic floor. Secure the air inlet hood to a vertical post with the inlet positioned downward. Ensure that nothing blocks the hood opening. This hood must never terminate higher than three (3) feet below the termination.

Step 8. Cut or frame a hole through the outside wall for the installation of the air inlet hood. A 6-1/2" diameter hole is required. Feed the loose end of the flexible duct through the hole and attach to the collar on the air inlet hood using two (2) screws from the kit's hardware package. Insert the hood into the opening. Secure the inlet hood in place with nails driven through the holes in the flange. Seal with noncombustible waterproof silicon type caulking.

INSTALLING THE CHIMNEY SYSTEM

Step 1. Before continuing, check the operation of the damper, as described on page 4, (*refer to Figure 3*).

Step 2. Using standard construction framing techniques, construct opening for chimney route up through the ceiling(s) and roof or through an outside chase.

Framing must maintain adequate minimum air space clearance at all times.

CAUTION: ALLOW MINIMUM 2" CHIMNEY AIR SPACE TO COMBUSTIBLE FRAMING MEMBERS THROUGHOUT VERTICAL OR OFFSET CHIMNEY INSTALLATION.

A minimum 2" air space must be reserved for all combustible materials extending for any continuous length surrounding the chimney.

Reference *Figures 15 and 16* and charts Framing Dimensions for Ceiling and Roof, which specify minimum ceiling and roof dimensions.

In new construction, to determine chimney center line, use plumb line from roof or ceiling above fireplace to center of flue collar on fireplace.

For remodeling, plumb to center of flue collar from ceiling above, drive nail through ceiling from below to mark position, then mark and cut to passage from above ceiling (around nail) (*Figure 20*). Then plumb from ceiling or roof level directly above hole which has just been completed.

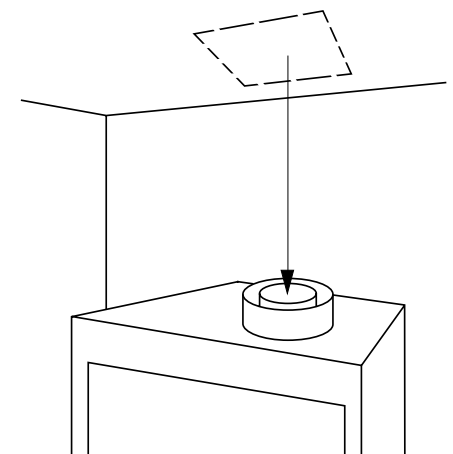


Figure 20

Step 3. Position appropriate firestop spacer at ceiling and fasten temporarily with two (2) 8d nails or equivalent. Use flat firestop spacer, Model F8FS-2, if chimney penetrates ceiling vertically. If chimney penetrates ceiling at 30° angle (offset chimney), use 30° firestop spacer, Model F8FS30-2. Use one nail on opposite sides to hold firestop spacer in position. Nail permanently, using at least two (2) more 8d nails, after chimney sections have been assembled through the firestop spacer and after any necessary adjustments have been made. Firestop spacer must be secured by at least four (4) 8d nails when completely installed.

Note: If there is a room above ceiling level, firestop spacer must be installed on the bottom side of the ceiling. If an attic is above ceiling level, firestop spacer must be installed on top side of ceiling joist (Figures 21 and 22).

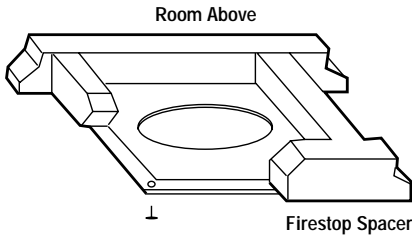


Figure 21

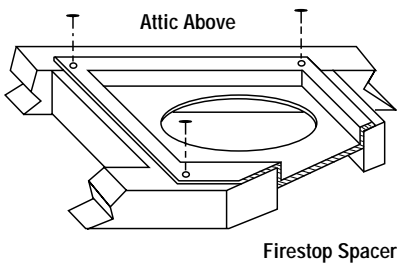


Figure 22

CHIMNEY 30° OFFSET THROUGH FLOOR OR CEILING

It may be necessary to assemble the chimney at 30° when passing through the floor or ceiling area. Use the F8FS30-2 firestop spacer as shown in Figures 23 and 24. Support the chimney at floor or ceiling penetration with a FTF8 stabilizer if distance of chimney below ceiling is 10' or more. Maintain 2" minimum air space to combustibles from chimney sections.

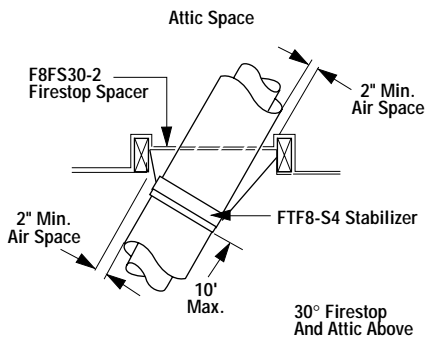


Figure 23

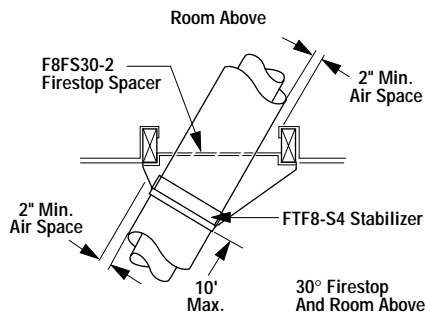


Figure 24

For Canada Only

When installing the chimney system through an open attic space, the attic shield assembly-firestop spacer must be used (Figure 25). This installation is required only for use in Canada.

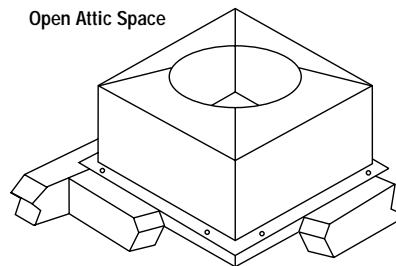


Figure 25

Note: For Canadian installations, all chimney installed outside the building must be constructed with galvalume (outer sections only) effective January 1, 1992. The appropriate model designations are located in the back of this manual.

Step 4. Note: Chimney sections are constructed with a unique locking tab design, which ensures an immediate, tight assembly between sections. Plan your chimney requirements carefully before assembly as chimney is difficult to disassemble after installation. If disassembled, the tabs might become damaged. Be certain tabs are properly formed to ensure locking tabs engage properly.

The Security FTF8 chimney system is a two piece chimney, which snap together from the fireplace up. Start with the inner flue section with the lanced end up, snap lock it in to the matching collar on top of the fireplace. At all subsequent joints, the upper flue section fits into the preceding flue section. Each piece snaps together by means of locking tabs (9 locking tabs per joint). Check each piece by pulling up slightly from the top to ensure proper engagement before installing the next section.

If the flue has been installed correctly, it will not separate when you test it. Also, the inner flue joint where each section is joined should be tight and flat without gaps (Figure 26).

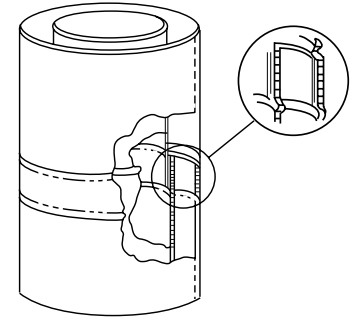


Figure 26

Outer pipe section installs in just the opposite way; the lanced end goes down and each new section goes OVER the outside of the previous section installed (Figure 27).

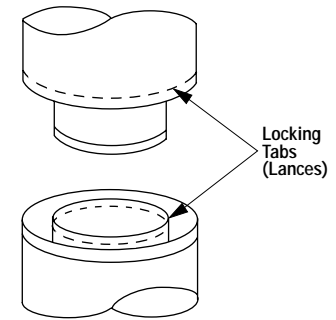


Figure 27

Note: Assemble one component of chimney at a time (inner section first, then outer section last) before proceeding with the next complete section.

Continue to assemble the chimney up through framed opening. Assemble just enough to penetrate the roof flashing openings (Figure 28). Always maintain 2" minimum air space to combustible materials and always check each chimney joint (inner and outer) to ensure proper engagement. Check vertical alignment of chimney so that it projects from the roof in true vertical position.

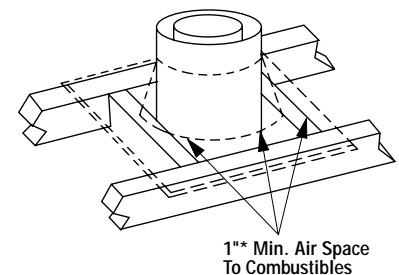


Figure 28

Security chimney sections do not need to be screwed together. Additional reinforcement is not necessary except in certain offset conditions (refer to page 14, **Figure 39**).

Step 5. The height of vertical chimney pipe supported only by the fireplace must not exceed 30'. Chimney heights above 30' must be supported by a Model FTF8-S4 stabilizer installed at 30' intervals.

Note: The Model FTF8-S4 adds 3" net effective height to the total chimney system.

Install the Model FTF8-S4 stabilizer by fitting inner section down into respective section of proceeding flue pipe and locking outer stabilizer section into place over the outer chimney pipe. Position for proper clearance through framed opening and nail straps securely (under tension in "shear") into place on framing. Use 8d nails. Attach successive lengths of chimney pipe directly to stabilizer using same techniques as described in Step 4 (**Figure 29**).

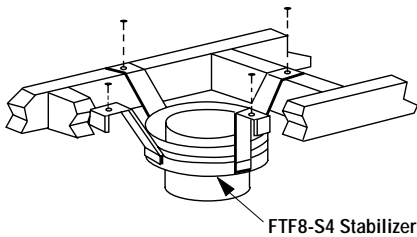


Figure 29

Note: Do not apply excessive pressure to any subsequent chimney sections following the stabilizer when installing. Ensure each subsequent chimney section is securely attached by testing as noted in Step 4.

Step 6. Select the proper Security roof flashing based on pitch of roof. Use chart below for selection:

Roof Pitch	Model
Flat to 6/12	F8F6
6/12 to 12/12	F8F12

Next, slide roof flashing over extended chimney section that previously has been installed above the roof opening in Step 4. FTF8 flashings require flashing spacers. Slide flashing all the way down until the flashing base rests flat on the roof (**Figure 30**). Again, check the vertical position of the chimney and the 2" minimum air space to combustibles.

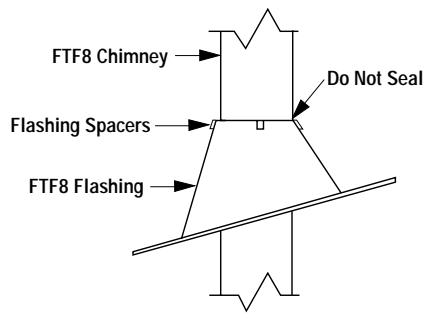


Figure 30

Note: Do not caulk or seal the ventilating openings.

Step 7. Secure flashing by nailing along the perimeter into roof using 8d nails. If shingled roof, slide upper end and sides of roof flashing under shingles (trim if necessary), seal the top and both sides of the flashing to the roof with roof caulking. Cover nail heads with roof caulking (**Figure 31**).

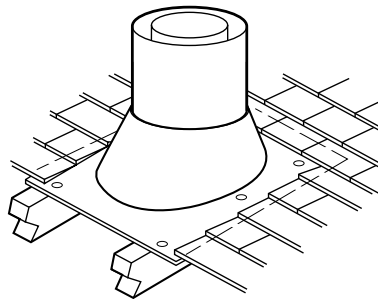


Figure 31

Step 8. Slide the FTF8 storm collar (ordered separately) over outer chimney. Rest on flashing spacers and align with top surface of flashing. Insert tab in slot, pull tight and bend tab back over slot. Seal storm collar to outer chimney with roof caulking or mastic around entire circumference of pipe. Also add extra roof caulking to the tab/slot area to seal completely against water penetration (**Figure 32**). Check all joints very carefully to ensure no water intrusion can take place.

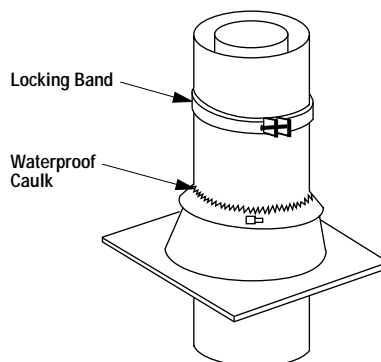


Figure 32

Step 9. Security Chimneys locking bands, Model FLB, may be required if the chimney extends too high above the roof flashing. As a general rule, if the chimney extends more than 6' above the roof flashing, the use of locking bands is advisable to strengthen the chimney assembly. Align the locking band at the chimney joint. Locking bands wrap around pipe joints equally covering the joints of both pipe sections. Use the nut provided and TIGHTEN snugly. Do not overtighten as this might damage the chimney section (refer to **Figure 32**).

Note: If chimney extends more than 8' above roof surface, guy wires are also recommended. Use three (3) guy wires, attach to locking band assembly, extend and secure to roof in a triangular pattern (**Figure 33**). Guy wires are not supplied by the manufacturer.

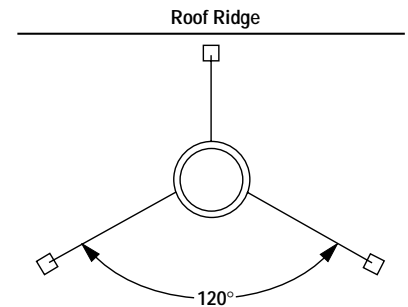


Figure 33

Step 10. Using a FTF8-CTD Round Termination:

1. Hold the FTF8-CTD over top of last chimney section (**Figure 34**).
2. Center inner slip section in inner flue pipe-slip down.
3. Center outer locking section over outer flue pipe. Push down until locking tabs are firmly engaged.

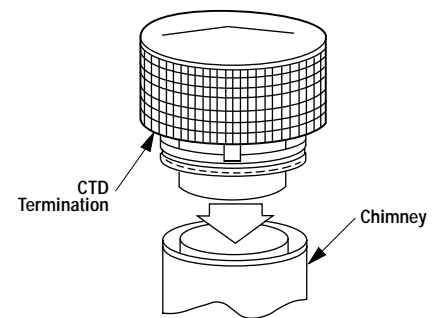


Figure 34

4. Pull up slightly on CTD to ensure locking joint has firmly engaged.

Using a FTF8-CTDT Chase Termination:

Refer to specific installation instructions included with the FTF8-CTDT chase termination for clearance and installation details.

Using a FTF8-CT1 Chase Termination:

Refer to specific installation instructions included with FTF8-CT1 chase terminations for clearance and installation details.

Using a FTF8-CT2 Chase Termination:

Refer to specific installation instructions included with FTF8-CT2 chase terminations for clearance and installation details.

Using a FTF8-CTT Chase Termination:

Refer to specific installation instructions included with FTF8-CTT chase terminations for clearance and installation details.

Using a FTF8-ATT Chase Termination:

Refer to specific installation instructions included with FTF8-ATT chase terminations for clearance and installation details.

Note: It is recommended that all exterior exposed metal fireplace components; such as terminations, flashings, storm collars and/or flue be painted with a premium quality, high temperature, rust preventative paint designed for metal. This is especially important when installations are made in abnormally adverse or corrosive environments; such as near lakes, oceans or in areas with consistently high humidity conditions. Consult the paint manufacturers instructions for proper preparation and application.

TEN FOOT RULE SUMMARY

The minimum chimney height above the roof and/or to adjacent walls and buildings is specified by all major building codes.

If the horizontal distance from the peak of the roof is less than 10', the top of the chimney must be at least 2' above the peak of the roof.

If the horizontal distance from the chimney edge to the peak of the roof is more than 10' a chimney height reference point is established on the roof surface 10' horizontally from the chimney edge. The top of the chimney must be at least 2' above this reference point. In all cases, the chimney cannot be less than 3' above the roof at the edge of the chimney.

The 2' in 10' rule is necessary in the interest of safety but does not ensure smoke-free operation. Trees, buildings, adjoining roof lines, adverse wind conditions, etc., may require a taller chimney should the fireplace not draft properly (see **Figure 35**).

MULTIPLE TERMINATIONS

If more than one termination is located in the same chase or within the same general proximity, we suggest they should be separated in distance at least 24" horizontally from flue center to flue center and stacked or staggered vertically at least 18" apart, from the termination of one smoke exit to the termination of another smoke exit (**Figure 36**).

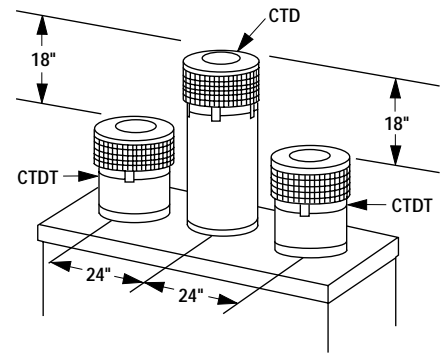


Figure 36

This suggestion is provided in the interest of better operation. If the terminations are located too close to each other, smoke may migrate from one flue into the other.

FTF8 CHIMNEY COMPONENT CALCULATIONS

The minimum installed height of the completed fireplace system is 15' 0". The maximum height is 60' 0".

To determine the number of chimney sections and chimney components required, follow these steps:

1. Determine total vertical height of the fireplace installation. This dimension is the distance from the surface the fireplace sets on to the point where smoke exits from the termination.
2. Determine the number of chimney components required, except chimney sections. This would include firestop spacers, stabilizers, roof flashing, etc.
3. The effective heights of the components are:

The Fireplace	=	43-1/2"
FTF8-12	=	10-1/4"
FTF8-18	=	16-1/4"
FTF8-36	=	34-1/4"
FTF8-48	=	46-1/4"
FTF8-CTD Termination	=	4"
FTF8-CT1 Termination	=	12" to 18"
FTF8-CT2 Termination	=	15" to 23"
FTF8-CTDT Termination	=	12" to 18"
FTF8-CTT Termination	=	6" to 14"
FTF8-ATT Termination	=	8" to 14"
FTF8-S4 Stabilizer *	=	3"*

* Required for every 30' of vertical chimney and/or 10' of offset chimney.

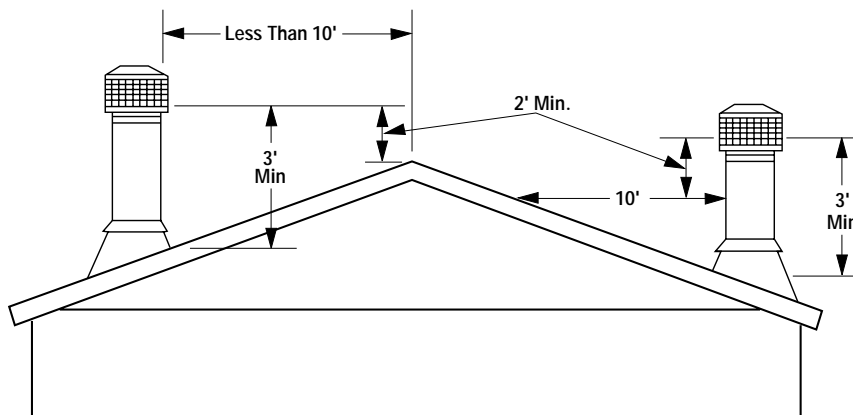


Figure 35

4. Determine amount of chimney height required by subtracting total combined height of all pre-selected components (fireplace and chimney components from total desired height.)

Reference Vertical Elevation Chart and determine the number of chimney sections (quantity and length) required.

SPECIAL OFFSET INSTRUCTIONS

To clear any overhead obstructions, you may offset your chimney system using Security's 30° offset and return elbows. Use two elbows - an offset elbow to initiate the offset and a return elbow to terminate it. A 30° offset elbow, angling in any direction, may be the first component used off the top of the fireplace flue collar.

The offset and return elbows may be attached together, or a section or sections of chimney may be used between, but do not exceed 20' in total length between elbows. If sections of pipe exceed 10' between elbows, a chimney stabilizer must be used at the midpoint (*Figure 37*). The stabilizer support straps must be attached under tension (in shear) to structural framing members above. When two sets of elbows are used, the maximum combined length of chimney used between elbows cannot exceed 20' (*Figure 38*).

Example: If $C_1 = 10'$ then C_2 cannot exceed 10'.

If an offset exceeds 6' in length, each chimney joint beyond the first 6' of offset to the return elbow, must be secured by a No. 8 x 1/2" sheet metal screw located at the underside of the joint (*Figure 39*).

A 1/8" diameter hole must be drilled in the chimney joint using a 1/8" diameter drill. Hole should be drilled in center of joint overlap (*Figure 40*). Be sure to drill only through the outer chimney casting. Do not puncture the inner flue.

Maximum offset of chimney system is 30°. Two offsets must not be assembled to form a 60° offset. However, two sets of offset and return elbows may be used on a single flue system, provided the total height of the system exceeds 25'.

Return elbow support straps must be securely attached under tension (in shear) to structural framing members above. Do not substitute a FTF8-30 offset elbow in place of a FTF8-E30 return elbow.

OFFSET CALCULATIONS

Step 1. Use Offset Chart to determine amount of horizontal offset (A) and height (B) for various chimney section assemblies.

Step 2. Use "Height of Chimney Only" column in The Vertical Elevation Chart to determine combinations of chimney used above return elbow to achieve desired heights. Reference Components Effective Height Chart in vertical elevation chart section.

Step 3. Use Elevation Chart as job estimator only. Add necessary firestop spacers and stabilizers as required. Firestop spacers must be used as shown in *Figures 23 and 24* and stabilizers as shown in *Figure 29*.

FTF8 VERTICAL ELEVATION CHART

Height Of Chimney Only		Number Of FTF8 Chimney Lengths				Height Of Chimney Only		Number Of FTF8 Chimney Lengths			
Inches	Feet/Inches	12"	18"	36"	48"	Inches	Feet/Inches	12"	18"	36"	48"
11	0 11	1	0	0	0	386 1/2	32 2 1/2	0	1	0	8
17	1 5	0	1	0	0	390 3/4	32 6 3/4	2	0	0	8
21 1/4	1 9 1/4	2	0	0	0	396 3/4	33 0 3/4	1	1	0	8
27 1/4	2 3 1/4	1	1	0	0	404 1/2	33 8 1/2	0	0	1	8
35	2 11	0	0	1	0	414 3/4	34 6 3/4	1	0	1	8
47	3 11	0	0	0	1	416 1/2	34 8 1/2	0	0	0	9
51 1/4	4 3 1/4	0	1	1	0	420 3/4	35 0 3/4	0	1	1	8
57 1/4	4 9 1/4	1	0	0	1	426 3/4	35 6 3/4	1	0	0	9
63 1/4	5 3 1/4	0	1	0	1	432 3/4	36 0 3/4	0	1	0	9
67 1/4	5 7 1/4	2	0	0	1	437	36 5	2	0	0	9
73 1/4	6 1 1/4	1	1	0	1	443	36 11	1	1	0	9
81 1/4	6 9 1/4	0	0	1	1	450 3/4	37 6 3/4	0	0	1	9
93 1/4	7 9 1/4	0	0	0	2	461	38 5	1	0	1	9
97 1/4	8 1 1/4	0	1	1	1	462 3/4	38 6 3/4	0	0	0	10
102 1/2	8 6 1/2	1	0	0	2	466 3/4	38 10 3/4	0	1	1	9
109 1/4	9 1 1/4	0	1	0	2	472	3/4 39 4 3/4	1	0	0	10
113 1/2	9 5 1/2	2	0	0	2	478 3/4	39 10 3/4	0	1	0	10
119 1/2	9 11 1/2	1	1	0	2	483	40 3	2	0	0	10
127 1/4	10 7 1/4	0	0	1	2	489	40 9	1	1	0	10
137 1/2	11 5 1/2	1	0	1	2	496 3/4	41 4 3/4	0	0	1	10
139 1/4	11 7 1/4	0	0	0	3	507	42 3	1	0	1	10
143 1/2	11 11 1/2	0	1	1	2	508 3/4	42 4 3/4	0	0	0	11
149 1/2	12 5 1/2	1	0	0	3	513	42 9	0	1	1	10
155 1/2	12 11 1/2	0	1	0	3	519	43 3	1	0	0	11
159 3/4	13 3 3/4	2	0	0	3	525	43 9	0	1	0	11
165 3/4	13 9 3/4	1	1	0	3	529 1/4	44 1 1/4	2	0	0	11
173 1/2	14 5 1/2	0	0	1	3	535 1/4	44 7 1/4	1	1	0	11
183 3/4	15 3 3/4	1	0	1	3	543	45 3	0	0	1	11
185 1/2	15 5 1/2	0	0	0	4	553 1/4	46 1 1/4	1	0	1	11
189 3/4	15 9 3/4	0	1	1	3	555	46 3	0	0	0	12
195 3/4	16 3 3/4	1	0	0	4	559 1/4	46 7 1/4	0	1	1	11
201 3/4	16 9 3/4	0	1	0	4	565 1/4	47 1 1/4	1	0	0	12
206	17 2	2	0	0	4	571 1/4	47 5 1/4	0	1	0	12
212	17 8	1	1	0	4	575 1/2	47 11 1/2	2	0	0	12
219 3/4	18 3 3/4	0	0	1	4	581 1/2	48 5 1/2	1	1	0	12
230	19 2	1	0	1	4	589 1/4	49 1 1/4	0	0	1	12
231 3/4	19 3 3/4	0	0	0	5	599 1/2	49 11 1/2	1	0	1	12
236	19 8	0	1	1	4	601 1/4	50 1 1/4	0	0	0	13
242	20 2	1	0	0	5	605 1/2	50 5 1/2	0	1	1	12
248	20 8	0	1	0	5	611 1/2	51 11 1/2	1	0	0	13
252	21 0	2	0	0	5	617 1/2	51 5 1/2	0	1	0	13
258	21 6	1	1	0	5	621 1/2	51 9 1/2	2	0	0	13
266	22 2	0	0	1	5	627 1/2	52 3 1/2	1	1	0	13
276	23 0	1	0	1	5	635 1/2	52 11 1/2	0	0	1	13
278	23 2	0	0	0	6	645 1/2	53 9 1/2	1	0	1	13
282	23 6	0	1	1	5	647 1/2	53 11 1/2	0	0	0	14
288	24 0	1	0	0	6	651 1/2	54 3 1/2	0	1	1	13
294 3/4	24 6 3/4	0	1	0	6	657 1/2	54 9 1/2	1	0	0	14
298 1/4	24 10 1/4	2	0	0	6	663 1/2	55 3 1/2	0	1	0	14
304 1/4	25 4 1/4	1	1	0	6	667 3/4	55 7 3/4	2	0	0	14
312	26 0	0	0	1	6	673 3/4	56 1 3/4	1	1	0	14
322 1/4	26 10 1/4	1	0	1	6	681 1/2	56 9 1/2	0	0	1	14
324	27 0	0	0	0	7	691 3/4	57 7 3/4	1	0	1	14
328 1/4	27 4 1/4	0	1	1	6	693 1/2	57 9 1/2	0	0	0	15
334 1/4	27 10 1/4	1	0	0	7	697 3/4	58 1 3/4	0	1	1	14
340 1/4	28 4 1/4	0	1	0	7	703 3/4	58 7 3/4	1	0	0	15
344 1/2	28 8 1/2	2	0	0	7	709 3/4	59 1 3/4	0	1	0	15
350 1/2	29 2 1/2	1	1	0	7	714	59 6	2	0	0	15
358 1/4	29 10 1/4	0	0	1	7	720	60 0	1	1	0	15
368 1/2	30 8 1/2	1	0	1	7	727 3/4	60 7 3/4	0	0	1	15
370 1/4	30 10 1/4	0	0	0	8	738	61 6	1	0	1	15
374 1/2	31 2 1/2	0	1	1	7	739 3/4	61 7 3/4	0	0	0	16
380 1/2	31 8 1/2	1	0	0	8	744	62 0	0	1	1	15

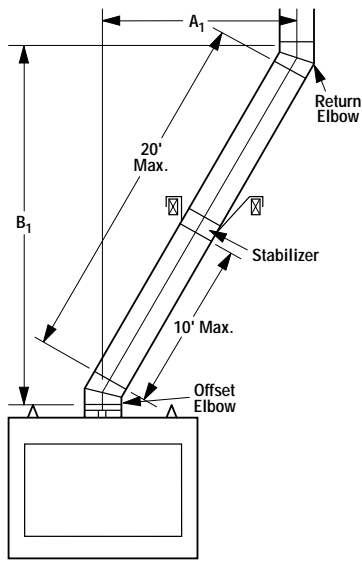


Figure 37

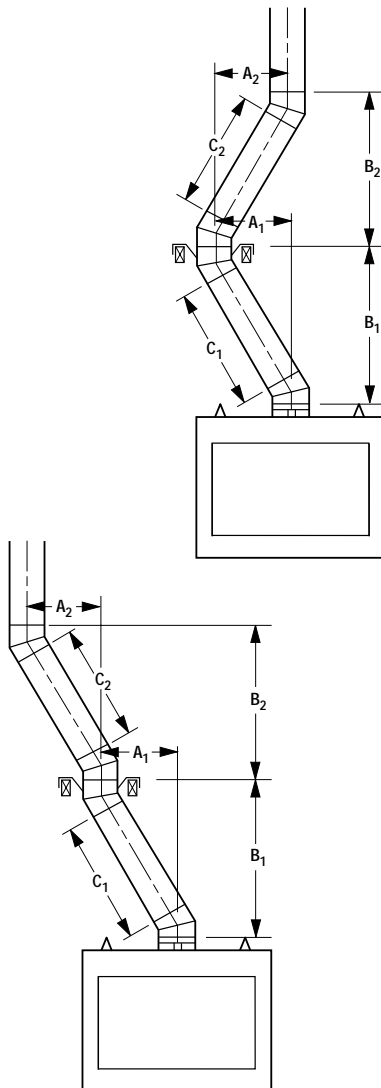


Figure 38

OFFSET ELEVATION CHART

A Offset (Inches)	B Height (Inches)	FTF8-ES30 Offset/Return Elbow	FTF8-S4 Stabilizer	Number of FTF8 Chimney Sections			
				12"	18"	38"	48"
4	15 3/4	1	0	0	0	0	0
9	24 1/2	1	0	1	0	0	0
12	29 3/4	1	0	0	1	0	0
14 1/4	33 1/2	1	0	2	0	0	0
17 1/4	38 1/2	1	0	1	1	0	0
20 1/4	43 3/4	1	0	0	2	0	0
21	45 1/4	1	0	0	0	1	0
22 1/4	47 1/2	1	0	2	1	0	0
25 1/4	52 1/2	1	0	1	2	0	0
26 1/4	54 1/4	1	0	1	0	1	0
27	55 3/4	1	0	0	0	0	1
28 1/4	57 3/4	1	0	0	3	0	0
29 1/4	59 1/4	1	0	0	1	1	0
31 1/4	63	1	0	2	0	1	0
32 1/4	64 1/2	1	0	1	0	0	1
34 1/4	68 1/4	1	0	1	1	1	0
35 1/4	69 3/4	1	0	0	1	0	1
37 1/4	73 1/4	1	0	0	2	1	0
38 1/4	75	1	0	0	0	2	0
39 1/4	77	1	0	2	1	1	0
41 1/2	80 1/2	1	0	1	4	0	0
43 1/4	83 3/4	1	0	1	0	2	0
44 1/4	85 1/4	1	0	0	0	1	1
45 1/4	87 1/2	1	0	0	3	1	0
46 1/4	89	1	0	0	1	2	0
48 1/4	91 1/2	1	0	2	0	2	0
49 1/4	94 1/4	1	0	1	0	1	1
50 1/4	95 3/4	1	0	0	0	0	2
51 1/4	97 3/4	1	0	1	1	2	0
54 1/4	103	1	0	0	2	2	0
55 1/4	104 1/2	1	0	1	0	0	2
56 1/2	106 1/2	1	0	2	1	2	0
58 1/4	109 3/4	1	0	0	1	0	2
61 3/4	116	1	1	1	0	3	0
64 3/4	121 1/4	1	1	0	1	3	0
67	124 3/4	1	1	2	0	3	0
68 3/4	128	1	1	0	0	1	2
70	130	1	1	1	1	3	0
73	135 1/4	1	1	0	2	3	0
74 3/4	138 1/4	1	1	0	0	0	3
79	145 1/2	1	1	1	0	4	0
80	147 1/4	1	1	1	0	0	3
82	150 3/4	1	1	0	1	4	0
82 1/4	152	1	1	0	1	0	3

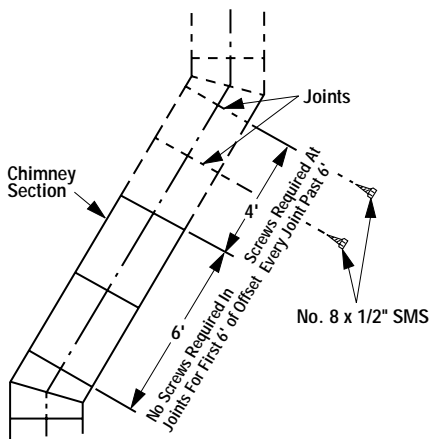


Figure 39

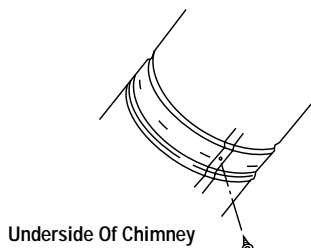
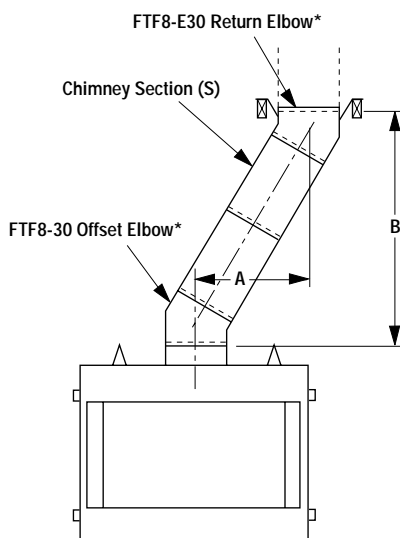


Figure 40



*Part of Offset/Return Package Model FTF8-ES30

Figure 41

INSTALLING OFFSETS

First, review the Offset Elevation Chart and **Figure 41** for reference.

Step 1. Determine the offset distance where chimney is to pass through the first ceiling-dimension "A." To find this point on your ceiling, first determine the center point for a vertical chimney following the instructions for vertical installation.

Measure height to the ceiling from the top of fireplace-dimension "B." Use the appropriate Offset Elevation Chart to find dimension "A." Mark point where you will drive your nail to show the center point for your offset ceiling cut.

Step 2. Proceed by using the Straight Up Installation Instructions for cutting and framing ceiling and roof openings.

Note: See Framing and Dimension Chart for the sizes of the ceiling and roof openings. The size of the roof opening varies with the degree of pitch of the roof.

Offset Elbow Assembly

Offset elbows install the same as chimney sections. First, snap the inner section INTO the preceding inner section of flue. Check connection by pulling up slightly to ensure a tight fit. Next, the outer sections snap lock OVER the preceding outer section of chimney. Again, check outer section by pulling up slightly to ensure proper connection is made.

Return Elbow Assembly

Return elbows install the same way as round terminations and stabilizers:

Step 1. Hold return elbow over top of last chimney section.

Step 2. Center inner slip section into inner flue pipe-slip down.

Step 3. Center outer-locking section over outer chimney pipe. Push down until locking joint has firmly engaged.

Step 4. Pull up slightly on return elbow to ensure locking joint has firmly engaged.

Step 5. Secure support straps to framing members by nailing under tension in shear (**Figure 42**).

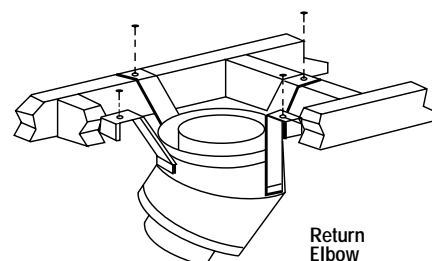


Figure 42

Note: The return elbow assembly performs the same function as a stabilizer. Consider this when determining the need for a stabilizer.

Note: Do not apply excessive pressure to any subsequent chimney section following return elbow assembly when installing. Ensure that each subsequent chimney section is securely attached by testing as noted above.

OPTIONAL EQUIPMENT CONSIDERATIONS

Blower Kits (Circulating Models Only)

Blower Kits model FBK-100/200 are available for use with circulating models. The Blower Kit can be installed prior to or after installation of the fireplace.

Note: These fireplace models require a wall switch for fan operation. Refer to the installation instructions included with the Blower Kits for installation details.

THE FIREPLACE MUST BE WIRED TO THE HOUSE ELECTRICAL SYSTEM AT THE TIME OF INSTALLATION IN ORDER FOR THE OPTIONAL FANS TO OPERATE, (SEE FIGURES 43 AND 44).

Note: The utilization of fans will increase the air flow around the firebox. However, only a minimal increase in heat output should be anticipated.

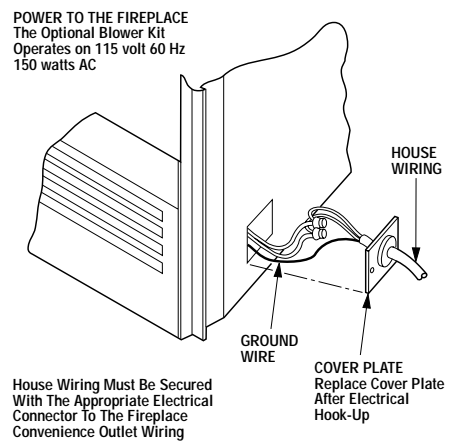


Figure 43

THIS FIREPLACE IS NOT INTENDED TO BE USED AS A SUBSTITUTE FOR A FURNACE TO HEAT AN ENTIRE HOME. USE FOR SUPPLEMENTARY HEATING ONLY.

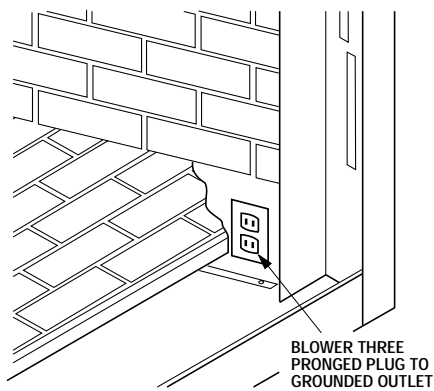


Figure 44

The FBK-100/200 Blower Kits are design certified by Warnock Hersey for use with these appliances.

Always check local building codes. Installation of the FBK Blower Kits must comply with local regulations as well as the National Electric Code.

Combustion Air Kits

These appliances are equipped with an outside (make-up) air door and integral actuator arm. If the appliance is to be installed with an outside air vent system, use only FireCraft Models FAOK-4 or FAOK-4LD Combustion Air Kits. These kits come complete with detailed installation instructions and all components necessary in completing a combustion air vent system.

After completing the installation of the optional combustion air vent system the actuator arm must be put in service and tested to ensure proper operation before completing any enclosure around the firebox. Failure to do so may result in extensive and costly rework.

Locate the actuator arm along the right side of the appliance firebox opening and refer to **Figure 45**.

To operate, push the end of the actuator to the left as shown in **Figure 45**, until it "pops" free of its "locked" position. Pull the actuator forward to open the combustion air door, and push it back to close. To "lock" the combustion air door closed, ensure the actuator is pushed all the way back then push the end of the actuators to the right until the step in the actuator moves behind the appliance front face within the slotted opening.

Operate the actuator through several cycles including the "lock position. Ensuring proper operation and freedom of movement. Return the actuator arm to the locked position.

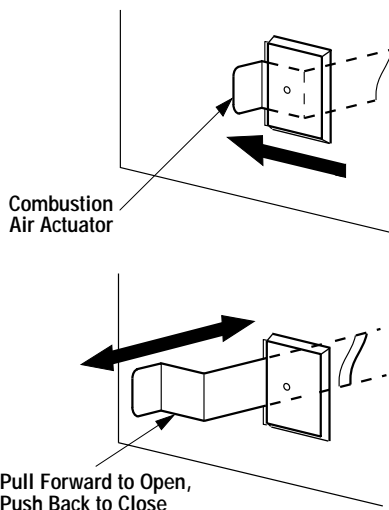


Figure 45

Gas Line Connection

Install a 1/2" gas supply line through fireplace wall for connection to a decorative gas appliance inside the firebox. Outside, the gas supply line connects to a gas shut-off valve recessed flush into the wall or floor. The valve should be controlled by a removable valve key for safety.

Always plumb gas line installation per local codes. Check all connections and test for gas leaks, using a gas leak test solution (also referred to as bubble leak solution).

Note: Using a soapy water solution (50% dish soap, 50% water) is an effective leak test solution but it is not recommended, because the soap residue that is left on the pipes/fittings can result in corrosion over time. **Never use an open flame to check for leaks.**

This provision is intended for connection to a decorative gas appliance incorporating an automatic shut-off device and complying with the Standard for Decorative Gas Appliances for installation in vented fireplaces, ANSI Z21.60 (1991) or American Gas Association draft requirements for Gas-Fired Log Lighters for Wood Burning Fireplaces, Draft No. 4 dated August, 1993. Install in accordance with the National Fuel Gas Code, ANSI Z223.1. This complies with the revised U.L. 127 standard.

Vent Free Appliances

This unit has been tested and approved to ANSI/IAS/AGA Z21.11.2 for use with unvented gas appliances and complies with the standard for Factory-Built fireplaces, UL 127, when installed with unvented gas log sets. Special instructions with regards to mantle installations must be taken into consideration when installing such appliances.

The unit has been tested for use with any unvented log sets having a maximum rating of 26,000 BTU. The minimum mantle configuration for these log sets are outlined in **Figures 46 and 47**.

Log sets with 40,000 BTU may be installed provided that no combustible mantle projections are placed lower than 18 inches from the fireplace opening.

These fireplaces have been marked with a maximum rating of 26,000 BTU to assure that homeowners do not exceed the allowable limits for all allowed installations of mantles. That limit may be increased to 40,000 BTU, provided that the mantle installed complies with the 18-inch limitation and a copy of these instructions are available.

NEVER INSTALL AN UNVENTED GAS LOG SET WITH A BTU GREATER THAN 26,000 IF COMBUSTIBLE MANTLE PROJECTIONS ARE LOWER THAN 18 INCHES ABOVE THE FIREPLACE OPENING.

CAUTION: WHEN USING THE DECORATIVE GAS APPLIANCE, THE FIREPLACE DAMPER MUST BE SET IN THE FULLY OPEN POSITION.

CAUTION: PLUMBING CONNECTIONS SHOULD ONLY BE PERFORMED BY A QUALIFIED, LICENSED PLUMBER. MAIN GAS SUPPLY MUST BE OFF WHEN PLUMBING GAS LINE TO FIREPLACE OR PERFORMING SERVICE.

If you're installing a gas line, connect it before the fireplace is framed and enclosed in the finished wall. The gas knockout is determined by the indentation located at the bottom and slightly off center in the side refractories. **THE KNOCKOUT IS ALWAYS REMOVED FROM INSIDE THE FIREPLACE. DO NOT REMOVE THE KNOCKOUT UNLESS YOU ARE INSTALLING A GAS LINE.** If removal is attempted from the outer wrapper, side refractory damage may occur. With a medium-sized hammer, lightly tap the surface of the indentation. The refractory material is very thin in this area and is easily removed. Once a small hole has been made, continue tapping until you have reached sufficient diameter for the gas line to fit through. The entire knockout does not have to be removed. Remove insulation in the gas line channel.

IMPORTANT: REPACK INSULATION MATERIAL IN SQUARE HOLE AROUND GAS LINE, INTERIOR AND EXTERIOR OF FIREPLACE, TO SEAL.

Glass Doors

If glass doors are to be installed on these fireplaces, refer to specific installation instructions packed with the glass doors. Use only the doors that are listed for use with these fireplaces. Use of other non-listed glass door on these fireplaces may constitute a potential fire hazard and is not recommended.

CAUTION: CERTAIN GLASS DOORS OVERLAP THE BLACK METAL FACING OF THE FIREPLACE. IF THE FIREPLACE HAS BEEN FACED WITH NONCOMBUSTIBLE MATERIALS, THERE MIGHT NOT BE SUFFICIENT CLEARANCE TO INSTALL THE GLASS DOORS OF YOUR CHOICE. ENSURE ADEQUATE CLEARANCE IS MAINTAINED AT ALL TIMES SO AS NOT TO INTERFERE WITH THE INSTALLATION AND OPERATION OF GLASS DOORS.

COLD CLIMATE INSULATION

If you live in a cold climate, it is especially important to seal all cracks around the fireplace opening with noncombustible material and wherever cold air could enter the room. Surrounding materials must be caulked where it meets the black metal facing of the fireplace to avoid cold air intrusion. Use noncombustible caulking material only on fireplace facing to seal. Also, the outside air inlet duct should be wrapped with noncombustible insulation to minimize the formation of condensation. Do not place insulation materials on top of fireplace or against chimney sections.

Note: A 2" air space must be preserved for all combustible materials extending for any continuous length adjacent to the chimney.

It is especially important to insulate between the studs of an outside chase cavity and under the floor if the floor is above ground level. Do not place insulation directly against the fireplace or chimney system.

FIREPLACE FINISHES

Mantels and Trim

It is sometimes best to frame your fireplace after it is positioned and the chimney is installed. Frame enclosure for chimney and fireplace with 2 x 4's (or heavier) lumber.

Note: The header may rest on the two (2) metal top spacers on top of the unit but the header must not be notched to fit around the spacers.

These fireplaces may sit directly on a combustible surface. A 2" air space is required between combustible framing and the chimney. A 1" air space is required between combustible framing and fireplace outer wrapper. In Canada, the minimum height for a combustible mantel is 18" (457 mm) above the fireplace opening. **Figure 46** shows typical Canadian installations. For installations other than Canada, combustible mantels and trim may be installed 12" above the fireplace opening as per NFPA 211, Section 7-2.3.3. and **Figure 47**. If a mantel is of a noncombustible material, it is exempt from these requirements as long as it does not interfere with the installation or operation of glass doors.

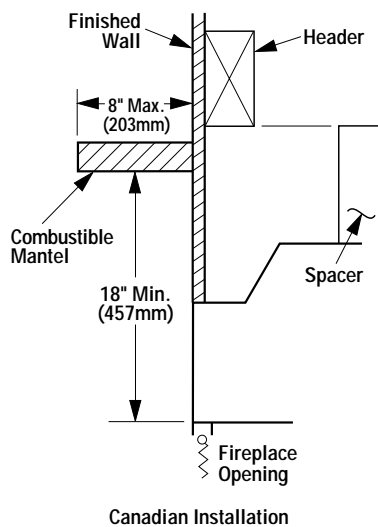
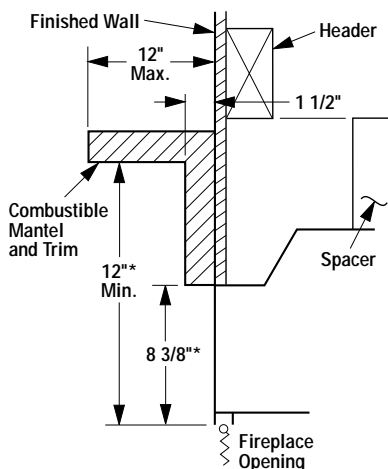


Figure 46



***Both Of These Dimensions Must Be At Least 18" When An Unvented Gas Log Set Rated At 26,000 BTU Or Higher Is Used. (Maximum 40,000 BTU)**

Typical Installation

Figure 47

Hearth Extensions and Wall Shields

A hearth extension must be installed with all fireplaces. It is to protect the combustible floor in front of the fireplace from both radiant heat and sparks. The hearth extension must extend 8" beyond both sides of the fireplace opening and 16" beyond the front (see **Figure 48**). Use a hearth extension constructed of a durable noncombustible material having an equal or better (lower k value) insulating value of $k = 1.28 \text{ BTU IN/FT}^2 \text{ HR } ^\circ\text{F}$ or a thermal resistance that equals or exceeds $r = 0.78 \text{ HR } ^\circ\text{F FT}^2/\text{BTU IN}$. With these values, determine the minimum thickness/material required using the formula and **Page 17**.

Note: Any noncombustible material whose k value is less than 1.28 or whose r value is more than 0.78 is acceptable.

If the fireplace is installed on a combustible floor, use the metal safety strips (provided) on the floor extending half under the fireplace and half under the hearth extension (refer to **Figures 6 & 7**).

A wall shield is required where a continuous perpendicular side wall is within 12" of the fireplace opening (**Figure 49**). Use a 24" W x 30" H wall shield constructed of a durable, noncombustible material having an equal or better (lower k value) insulating value than $k = .54 \text{ BTU IN/FT}^2 \text{ HR } ^\circ\text{F}$. **At no time may a perpendicular side wall be located closer than 8" from the fireplace opening.**

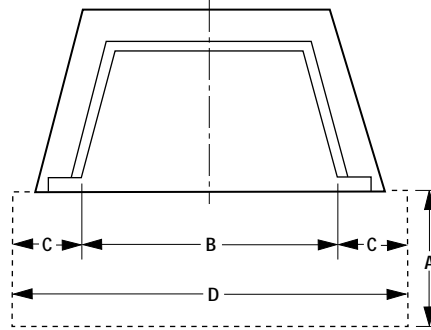
If fireplace is installed diagonally across a 90° corner; no wall shields are required.

Hearth Extension Dimensions

A	16"
B	33"
C	8"
D	49"

Note: To convert inches to millimeters divide by 0.03937

Figure 48



Methods of Determining Hearth Extension and Wall Shield

Equivalents - To determine the thickness required for the alternate material when either the "k" value or "r" value is known, use either the k formula or r formula.

Example: If Micore 160 is to be used for the hearth extension fireplace, how thick must this material be?

k_M = k value per inch of **alternate** material
 r_M = r value per inch of **alternate** material
 T_M = minimum thickness required for **alternate** material
 T_S = standard thickness of the **alternate** material

k_L = k value per inch of **listed** material
 r_L = r value per inch of **listed** material
 T_L = minimum thickness of **listed** material

Note: An asterix "*" indicates, it is a value taken from **Table 1**.
Using the k formula:

Minimum thickness of alternate material (T_M) = $\frac{\text{k-value (per Inch) of alternate material } (k_M) \times \text{Specified min. thickness of listed material } (T_L)}{\text{k-value (per inch) of listed material } (k_L)}$

$$T_M \text{ (inches)} = \frac{k_M}{*1.28} \times T_L$$

$$T_M \text{ (inches)} = \frac{*0.35}{*1.28} \times 1"$$

$$.273 \text{ (inches)} = .273 \times 1"$$

Answer - The minimum required thickness of the Micore 160 is .273", therefore round up to 1/4" and use the nearest standard thickness available which is 1/2".

Using the r formula:

Minimum thickness of alternate material = $\frac{\text{r-value (per Inch) of listed material } (r_L) \times \text{Specified min. thickness of listed material}}{\text{r-value (per inch) of alternate material } (r_M)}$

$$T_M \text{ (inches)} = \frac{r_L}{r_M} \times T_L$$

$$T_M \text{ (inches)} = \frac{*0.78}{*2.86} \times 1"$$

$$.273 \text{ (inches)} = .273 \times 1"$$

Answer - The minimum required thickness of the Micore 160 is .273", therefore round up to 1/4" and use the nearest standard thickness available which is 1/2".

Listed Material			
	k (per inch)	r (per inch)	Listed Min. Thickness
Listed Material	1.28 k_L	0.78 r_L	1" T_L
** Approved Alternate Materials for Floor/Hearth Protection			
Alternative Materials	Thermal Values		Minimum Thickness (rounded to nearest 1/8 inch)
	k (per inch) k_M	r (per inch) r_M	Min. Thickness T_M
Kaowool M Board	.47	2.13	.37" (3/8")
Micore 160™ U.S. Gypsum	.35	2.86	.27" (1/4")
Micore 300™ U.S. Gypsum	.46	2.17	.36" (3/8")
Durock™ Cement Board U.S. Gypsum	1.92	.52	1.50" (1-1/2")
Hardibacker™	1.95	.513	1.52" (1-1/2")
Hardibacker 500™	2.30	.435	1.80" (1-3/4")
Cultered Stone Hearth-stone™	2.82	.355	2.20" (2-1/4")
Wonderboard	3.23	.31	2.52" (2-1/2")
Super Firetemp M Johns-Manville	.61	1.64	0.48" (1/2")
Super Firetemp L Johns-Manville	.54	1.85	0.42" (3/8")
Face brick	9.00	.111	7.03" (7")
Common brick	5.00	.20	3.91" (3-7/8")
Cement mortar	5.00	.20	3.91" (3-7/8")
Ceramic tile	12.5	.08	9.77" (9-3/4")
Marble	11.0	.09	8.59" (8-5/8")

Table 1

** If the hearth extension material(s) that is intended to be used is NOT listed on Table 1, the material can still be used if the material(s) is noncombustible. However, the manufacturer of the material must provide either the listed k-value per inch or r-value per inch with listed thickness so that the minimum thickness required for the hearth can be calculated (per instructions on this Page and/or as specified in the NFI Certification manuals).

Note: Also see NFI (National Fireplace Institute) Certification Manuals showing other acceptable calculation methods and acceptable alternate materials which can be used.

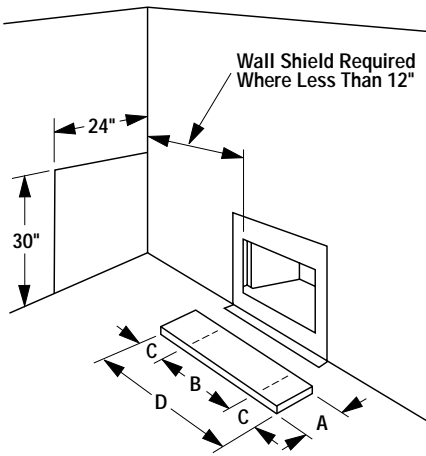


Figure 49

Calculating Minimum Thickness if Multiple Materials are Used

At times it is important to know what combination of materials are acceptable for use as floor protection. The "R values" are used to determine acceptable combinations of materials because "R values" are additive where r and k values are not.

"R value" = 1/k = "r" x thickness of material used

Example: Given that the required "R value" for a suitable floor protector used must be equal to or greater than:

$$"R" = r_L \times T_L = 0.78 \times 1" = 0.78."$$

If it is desired to elevate a marble hearth extension to a level of 5" or more above the floor surface. What combination of noncombustible materials can be used to accomplish this?

If common brick is used so that the 3 1/2" dimension is the height, "R" for the common brick becomes:

$$"R"_{M} = r_{M} \times T_{S} = 0.20 \times 3 \frac{1}{2}" = .70$$

brick

Using 1/2" of mortar to set the brick, "R" for the mortar is calculated as follows:

$$"R"_{M} = r_{M} \times T_{S} = 0.20 \times \frac{1}{2}" = .10$$

mortar

Next, a 3/4" marble slab set in 1/2" mortar covers the brick, "R" for the marble and mortar becomes:

$$"R"_{M} = r_{M} \times T_{S} = 0.05 \times \frac{3}{4}" = .038$$

mortar

$$"R"_{M} = r_{M} \times T_{S} = 0.20 \times \frac{1}{2}" = .10$$

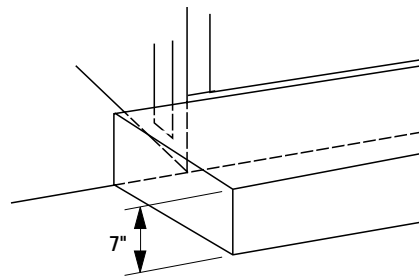
The sum of all "R values" is: .70 + .10 + .038 + .10 = .938

This would be an acceptable combination of material for the hearth extension since the total calculated "R value" of the materials used exceeds the required "R value" of 0.78. An additional layer of insulating materials is not needed.

Note: Also see NFI Certification Manuals for expanded explanation on calculating "R values" when multiple materials are used.

WARNING: THE CRACK BETWEEN THE FIREPLACE AND THE HEARTH EXTENSION MUST BE SEALED WITH A NON-COMBUSTIBLE MATERIAL.

WARNING: WHEN INSTALLING HEARTH EXTENSION IN FRONT OF A NON-CIRCULATING FIREPLACE MODEL, THE FIREPLACE MUST BE RAISED IF HEIGHT OF HEARTH EXTENSION EXCEEDS 7" ABOVE THE BOTTOM OF FIREPLACE (FIGURE 50).

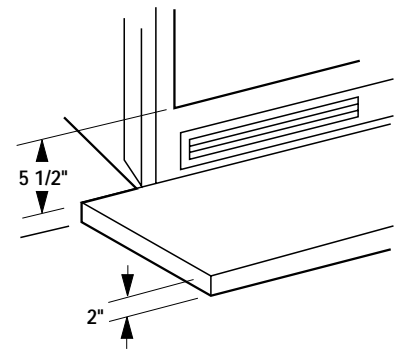


Max. Thickness Of Hearth Extension When Non-Circulating Models Are On The Floor

Figure 50

WARNING: WHEN INSTALLING THE HEARTH EXTENSION BE CAREFUL NOT TO BLOCK THE HEAT-CIRCULATING AIR INLET GRILL ON CIRCULATING MODELS.

WARNING: WHEN INSTALLING HEARTH EXTENSION IN FRONT OF A CIRCULATING FIREPLACE MODEL, THE FIREPLACE MUST BE RAISED IF HEIGHT OF HEARTH EXTENSION EXCEEDS 2" ABOVE BOTTOM OF FIREPLACE (FIGURE 51).



Max. Thickness Of Hearth Extension When Circulating Models Are On The Floor

Figure 51

Secure the hearth extension to the floor to prevent possible shifting.

FINISH TO YOUR TASTE

There are a wide variety of "finished looks" for these fireplaces, from formal wall decor with elaborate mantels to rustic wood paneling or warm brick facings.

Only noncombustible materials like stone, tile, brick, etc., may overlap the black front facing. Do not extend these materials beyond the black facing and into the firebox area. Be sure not to interfere with the installation and operation of glass doors or block the upper or lower grilles. Seal all joints between the black facing and wall surrounds to prevent air intrusion. Use non-combustible caulking material only to seal the black metal facing to the surround material on the finished wall.

Combustible materials may project beyond the sides of the fireplace opening as long as they are kept within the shaded areas illustrated in Figure 52.

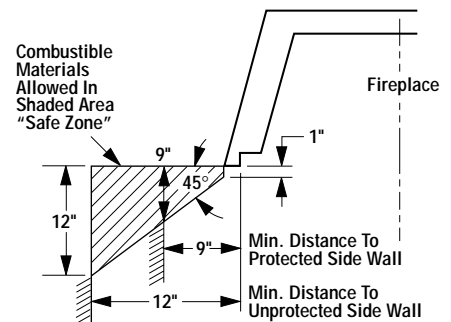


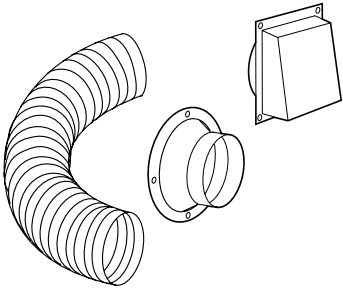
Figure 52

INSTALLATION COMPONENTS

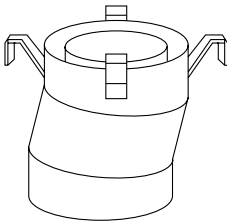
The following items are available for use in the installation of this appliance.



Chimney Section	63L10	FTF8-12
	63L13	FTF8-18
	63L14	FTF8-36
	63L15	FTF8-48
Canadian Chimney Section	62L92	FTF8-18C
	62L93	FTF8-36C

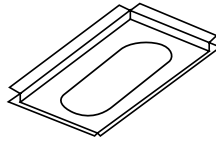


Outside Combustion Air Kits (with duct)	81L87	FOAK
	81L88	FOAK-LD

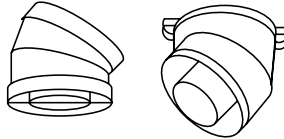


Combination Offset/Return Elbow	63L28	FTF8-OR15
---------------------------------	-------	-----------

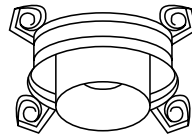
Shipping Weight 175 lbs.



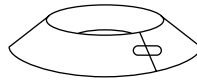
Firestop Spacer (30°) 63L32 F8FS30-2



Offset/ Return Package (30°) 63L22 FTF8-ES30



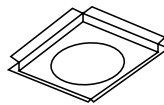
Stabilizer 63L25 FTF8-S4



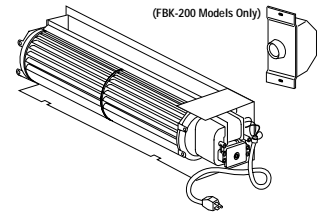
Storm Collar 63L59 FSC



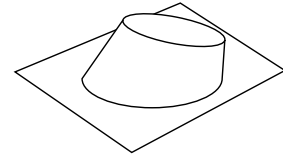
Locking Band 63L60 FLB



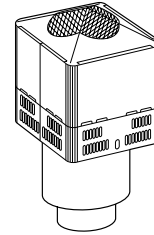
Firestop Spacer (Flat) 63L31 F8FS-2



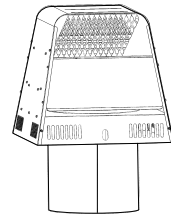
Forced Air Blower Kits		
-Single Speed	80L84	FBK-100
-Variable Speed	80L85	FBK-200



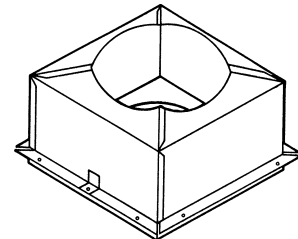
Flashing 63L38 F8F6
63L39 F8F12



Chase Termination 96L20 FTF8-CTT

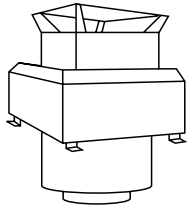


Chase Termination 96L22 FTF8-ATT

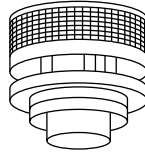


Attic Shield Assembly 63L67 FTF8-FSAS

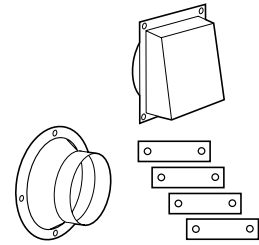
INSTALLATION COMPONENTS



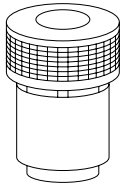
Chase Termination (Square) 63L51 FTF8-CT2



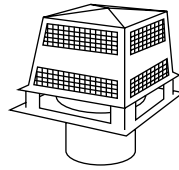
Round Termination 63L42 FTF8-CTD



Cold Climate Kit 63L62 FTF8-CCK2-LD



Chase Termination (Round) 63L45 FTF8-CTDT



Chase Termination (Square) 63L48 FTF8-CT1

NOTE: DIAGRAMS & ILLUSTRATIONS NOT TO SCALE.

The manufacturer reserves the right to make changes at any time, without notice, in design, materials, specifications, prices and also to discontinue colors, styles and products. Consult your local distributor for fireplace code information.



HEARTH PRODUCTS

1110 West Taft Avenue
Orange, CA 92865