



# USER'S GUIDE

V:1209-0611-09

CI109BU, CI109S,  
CI109P, CI109PR

Clock Radio with Dock for iPod

## CONTENTS

CONTENTS

## GENERAL PRODUCT INFORMATION

FEATURES  
IN THE BOX

## WARNINGS AND PRECAUTIONS

## POWERING THE UNIT

DC POWER ADAPTER

## COMPANY INFORMATION

INTERNATIONAL SUPPORT  
SERVICE INFORMATION  
BACKUP BATTERY

## OPERATIONS

SETTING THE CLOCK  
SETTING THE ALARM  
SETTING THE SLEEP TIMER  
TUNING THE AM OR FM RADIO  
USING THE AUXILIARY INPUT  
DOCKING & PLAYING AN IPOD

## CONTROLS

## CONTROL GLOSSARY

## WARNINGS AND PRECAUTIONS

- **CAUTION:** TO PREVENT ELECTRIC SHOCK, MATCH WIDE BLADE OF PLUG TO WIDE SLOT, FULLY INSERT.
- **WARNING:** To prevent fire or shock hazards, do not expose this unit to rain or moisture.
- **CAUTION:** Use of controls or adjustments or performance of procedures other than those specified may result in hazardous radiation exposure.
- **WARNING:** Changes or modifications to this unit not expressly approved by the party responsible for compliance could void the user's authority to operate the equipment.
- **WARNING:** Do not place the unit on top of any soft, porous, or sensitive surfaces to avoid damaging the surface. Use a protective barrier between the unit and surface to protect the surface.
- **CAUTION:** Danger of explosion if battery is incorrectly replaced. Replace only with the same or equivalent type.
- **PRÉCAUTION:** *Danger d'explosion si les piles sont remplacées de façon incorrect. Remplacer les piles seulement par le même type de pile ou l'équivalent.*

Do not mix old and new batteries.

Do not mix alkaline, standard (carbon-zinc), or rechargeable (ni-cad, ni-mh, etc) batteries.

No mezcle baterías viejas y nuevas.

No mezcle baterías alcalinas, estándar (carbóno-zinc) o recargables (ni-cad, ni-mh, etc.).

## FCC Warnings

NOTE: This equipment has been tested and found to comply with the limits for a Class B digital device, pursuant to Part 15 of the FCC Rules. These limits are designed to provide reasonable protection against harmful interference in a residential installation. This equipment generates, uses, and can radiate radio frequency energy and, if not installed and used in accordance with the instructions, may cause harmful interference to radio communications. However, there is no guarantee that interference will not occur in a particular installation. If this equipment does cause harmful interference to radio or television reception, which can be determined by turning the equipment off and on, the user is encouraged to try to correct the interference by one or more of the following measures:

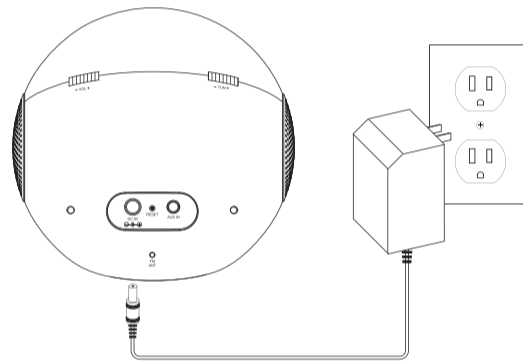
- Reorient or relocate the receiving antenna.
- Increase the separation between the equipment and receiver.
- Connect the equipment into an outlet on a circuit different from that to which the receiver is connected.
- Consult the dealer or an experienced radio/TV technician for help.

For the most up-to-date version of this User's Guide, go to [www.gpx.com](http://www.gpx.com)

## POWERING THE UNIT

### DC POWER ADAPTER

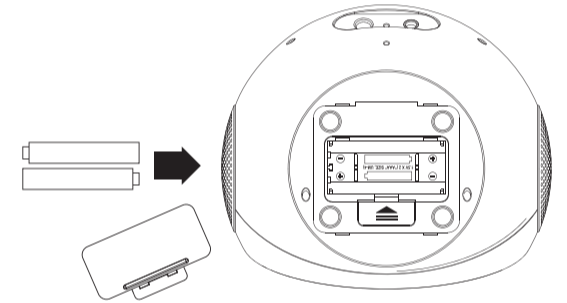
Use the included AC/DC Power Adapter to connect the unit to a standard AC power source.



### BACKUP BATTERY

Requires 2 AAA batteries, not included.

Please note, the battery backup is meant for short-term, unexpected power outages. The units primary functions cannot operate off of the backup batteries alone.



## GENERAL PRODUCT INFORMATION

### FEATURES

Dock plays and charges iPod

AM/FM radio

Digital clock with alarm

Wake to radio or buzzer

Built-in speaker

AC power

### IN THE BOX

CI109BU, CI109S, CI109P or CI109PR

AC/DC Adapter

Documentation

## COMPANY INFORMATION

### INTERNATIONAL SUPPORT

To download this User's Guide in English, Spanish, or French, visit the support section at [www.gpx.com](http://www.gpx.com).

Para transferir esta guía de usuario en inglés, español, o francés, visite la sección de la ayuda en [www.gpx.com](http://www.gpx.com).

Pour télécharger ce guide de l'utilisateur en anglais, espagnol, ou français, visitez la section de soutien chez [www.gpx.com](http://www.gpx.com).

### SERVICE INFORMATION

Address: 2116 Carr Street, St. Louis MO, 63106

Phone: 1-314-621-2881

Fax: 1-314-588-1805

Email: [prodinfo@gpx.com](mailto:prodinfo@gpx.com)

Parts Email: [partsinfo@dpi-global.com](mailto:partsinfo@dpi-global.com)

Website: [www.gpx.com](http://www.gpx.com)

## OPERATIONS

### SETTING THE CLOCK

1. Press the **Power/AL Off Button** to turn the unit off.
2. Press and hold the **Clock Button** for 3 seconds.
3. Press the **Hour/Display and Minute Buttons** to adjust the hour and minute on the clock.
4. Press the **Clock Button** to set the adjusted time.

### SETTING THE ALARM

1. Press the **Power/AL Off Button** to turn the unit off.
2. Press and hold the **Alarm Button** for 3 seconds.
3. Press the **Hour/Display and Minute Buttons** to adjust the hour and minute on the alarm time.
4. Press the **Alarm Button** to set the adjusted alarm time.
5. Press the **Alarm Button** repeatedly to adjust the alarm source to *Buzz*, *FM*, *AM*, or *iPod*.

### SETTING THE SLEEP TIMER

1. Turn the unit on in radio mode or iPod mode.
2. Press the **Sleep Button** repeatedly to adjust the sleep timer between 90 and 10 minutes (in 10 minute increments).
3. After the allotted time has expired, the unit will power off.

### TUNING THE AM OR FM RADIO

1. Press the **Power/AL Off Button** to turn the unit on.
2. Press the **Source Button** to switch to AM or FM radio mode.
3. Turn the **Tuning Dial** to tune the AM or FM radio.

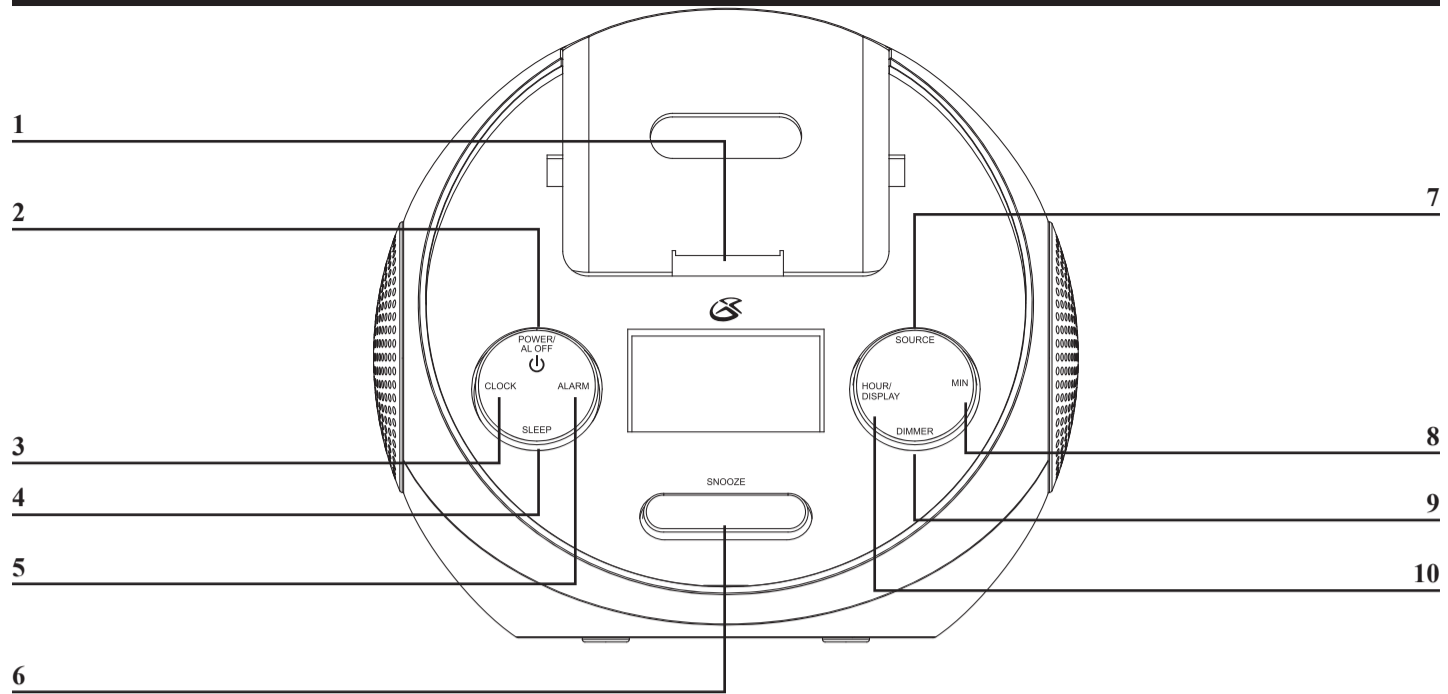
### USING THE AUXILIARY INPUT

1. Connect an MP3 Player or other audio source to the **Auxiliary Input**.
2. Press the **Source Button** to switch to *AUX Mode*.
3. Audio from the connected MP3 Player or other audio source will now play through the unit's speakers.

### DOCKING & PLAYING AN IPOD

1. Reference the included iPod compatibility chart to see which iPods are compatible with this unit.
2. Connect a compatible iPod to the Dock Connector.
3. Press the **Power/AL Off Button** to turn the unit on.
4. Press the **Source Button** to switch to *iPod mode*.
5. Use the iPod's native controls to begin playing content from the iPod through the unit's speakers.

## CONTROLS



## CONTROL GLOSSARY

### 01. Dock Connector for iPod

### 02. Power/AL Off Button

Press the Power Button to turn the unit off and on.

Press the AL Off Button after the alarm sounds to turn the alarm off until the next day.

### 03. Clock Button

Press the Clock Button to set the unit's clock.

### 04. Sleep Button

Press the Sleep Button repeatedly to set the unit's sleep timer.

### 05. Alarm Button

Press the Alarm Button to set the unit's alarm.

### 06. Snooze Button

Press the Snooze Button to delay the alarm for 9 minutes after it has sounded.

### 07. Source Button

Press the Source Button to switch between *AM*, *FM*, *iPod*, and *Aux modes*.

### 08. Minute Button

Press the Minute Button to adjust the minute when setting the clock, alarm, or timer.

### 09. Dimmer Button

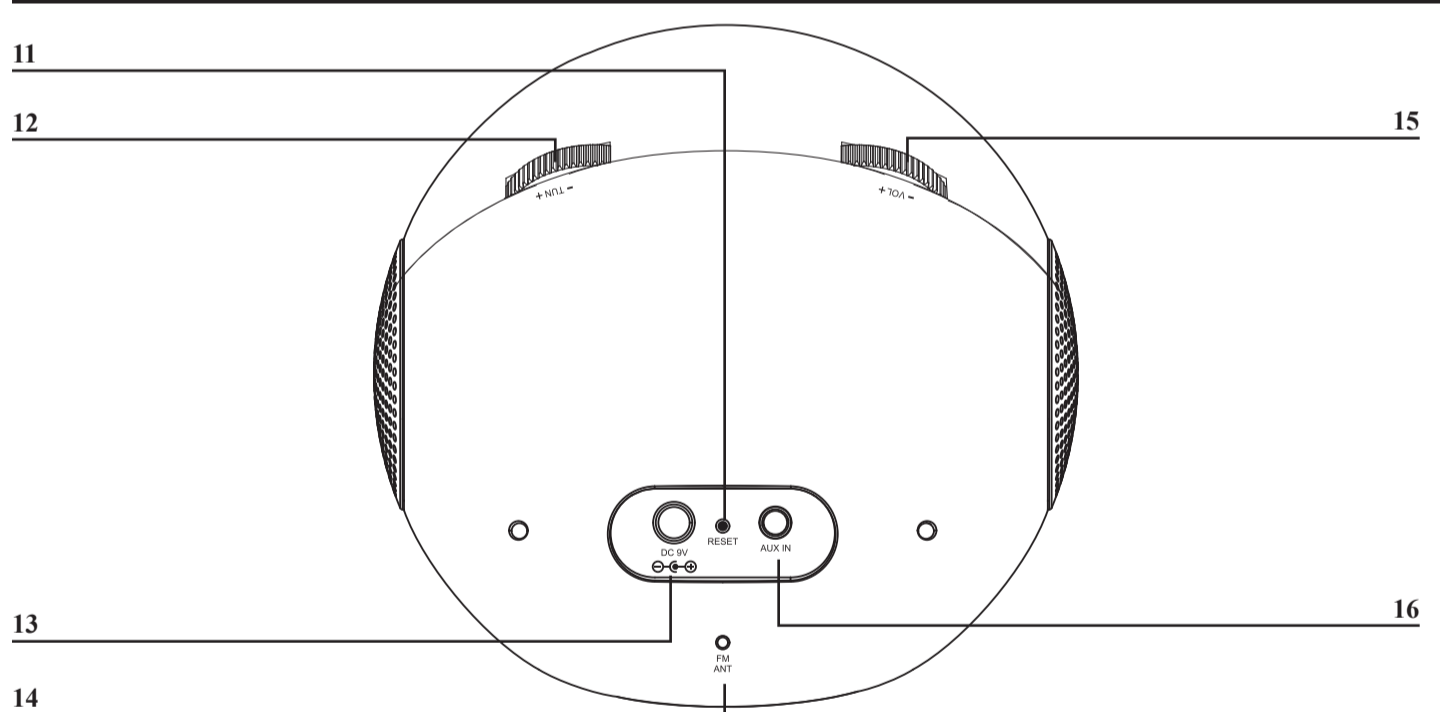
Press the Dimmer Button to adjust the brightness of the display.

### 10. Hour/Display Button

Press the Hour Button to adjust the hour when setting the clock, alarm, or timer.

Press the Display Button to view the time when in *AM* or *FM radio modes*.

## CONTROLS



## CONTROL GLOSSARY

### 11. Reset Button

Press the Reset Button using a paperclip or like object to restore the unit to its default settings.

### 12. Tuning Dial

Turn the Tuning Dial to adjust the AM or FM radio station.

### 13. DC Power Input

Use the DC Power Input to connect the unit to a power source.

### 14. FM Wire Antenna

Adjust the FM Wire Antenna to improve the FM radio reception.

An AM antenna is built into the unit. Adjust the position of the unit to improve AM radio reception.

### 15. Volume Dial

Turn the Volume Dial to adjust the volume of the unit.

### 16. Auxiliary Input

Use the Auxiliary Input to connect the unit to an MP3 player or other audio source.