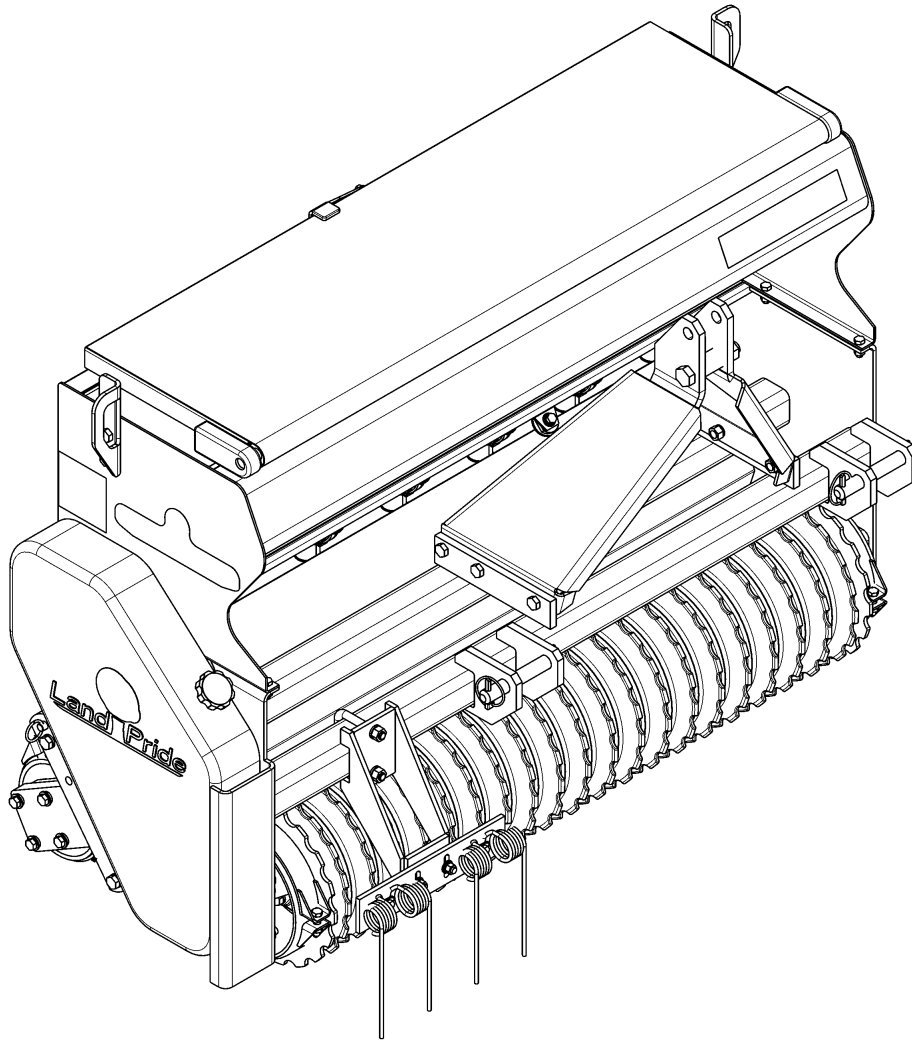


# Primary Seeder

---

PS1548 & PS1572



22060

## 313-164P Parts Manual



Read the Operator's manual entirely. When you see this symbol, the subsequent instructions and warnings are serious - follow without exception. Your life and the lives of others depend on it!

© Copyright 2008 Printed 09/10/08

Cover photo may show optional equipment not supplied with standard unit.





# Table of Contents

---

<b>Section 1: Introduction.....</b>	<b>4</b>
Using This Manual.....	4
Manual Replacement Information.....	4
Manual Revisions.....	4
Touch-up Paint.....	4
Hardware Legend.....	5
Replacement Hardware.....	5
Serial Numbers.....	5
Part Number Service Coding.....	5
<b>PS15 SERIES</b>	
<b>Section 2: Frame.....</b>	<b>6</b>
Frame & Hitch Assembly (S/N 302166-).....	6
Frame & Hitch Assembly (S/N 302167+).....	8
Roller Assemblies.....	10
Track Removers.....	12
<b>Section 3: Box.....</b>	<b>14</b>
Box Assembly (S/N 543362+).....	14
Box Assembly (S/N 302166-).....	16
Box Assembly (S/N 302167 to 543361).....	20
Feeder Cup & Channel Assembly.....	22
Feeder Cup Adjustment Handle Assembly.....	24
<b>Section 4: Drive.....</b>	<b>26</b>
Drive Assembly.....	26
<b>Section 5: Labels.....</b>	<b>28</b>
Label Placement.....	28
<b>Part Number Index.....</b>	<b>30</b>

© Copyright 2008. All rights reserved.

Land Pride provides this publication “as is” without warranty of any kind, either expressed or implied. While every precaution has been taken in the preparation of this manual, Land Pride assumes no responsibility for errors or omissions. Neither is any liability assumed for damages resulting from the use of the information contained herein. Land Pride reserves the right to revise and improve its products as it sees fit. This publication describes the state of this product at the time of its publication, and may not reflect the product in the future. The illustrations in this manual are not intended for safe and proper assembly or disassembly of equipment. The illustrations are intended for ordering parts only.

Land Pride is registered trademark.

All other brands and product names are trademarks or registered trademarks of their respective holders.

*Printed in the United States of America.*



# Alphabetized Table of Contents

---

## PS15 SERIES

### B

Box Assembly (S/N 543362+).....	14
Box Assembly (S/N 302166-).....	16
Box Assembly (S/N 302167 to 543361).....	20

### D

Drive Assembly.....	26
---------------------	----

### F

Feeder Cup & Channel Assembly.....	22
Feeder Cup Adjustment Handle Assembly.....	24
Frame & Hitch Assembly (S/N 302166-).....	6
Frame & Hitch Assembly (S/N 302167+).....	8

### L

Label Placement.....	28
----------------------	----

### R

Roller Assemblies.....	10
------------------------	----

### T

Track Removers.....	12
---------------------	----

# General Information

## Using This Manual

This manual is divided into sections. The first section contains General Information. The remaining sections divide the machine into segments (i.e. Frames, Drives, Hydraulics, etc.) which illustrate and list all parts. A Parts Number Index is located at the back of the book.

The Land Pride parts in this manual are specially designed for this machine and should be replaced with Land Pride parts only.

The information in this manual is current at time of printing. Some parts may change to assure top performance.

Right-hand and left-hand as used in this manual are determined by facing the direction the machine will travel while in use.

Below is an example of two facing pages from a parts manual. Familiarize yourself with the type of information contained on these pages.

## Manual Replacement Information

Replacement manuals are available. Refer to our website at [www.landpride.com](http://www.landpride.com) or e-mail us at [lit@landpride.com](mailto:lit@landpride.com) for additional information. Our website continues to provide the most up-to-date manuals available.

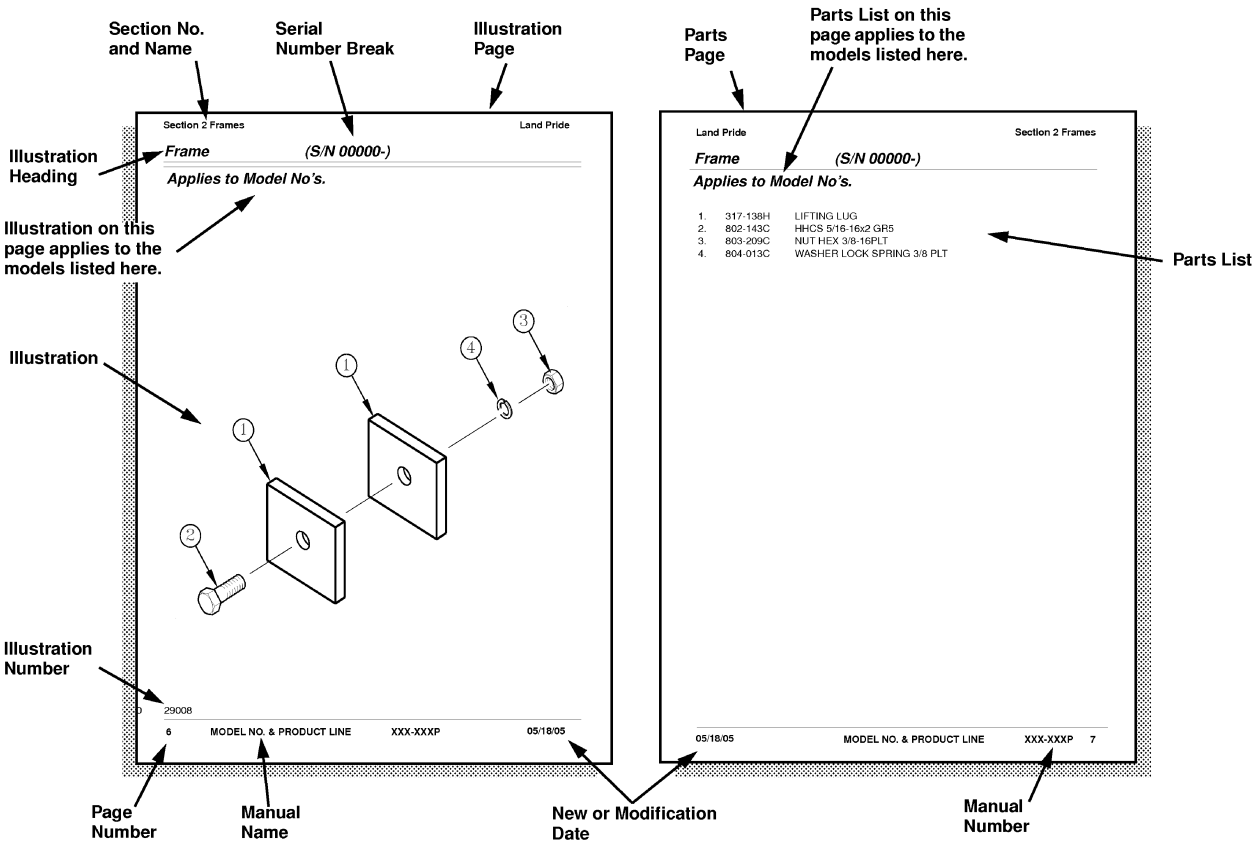
## Touch-up Paint

Repaint parts where paint is worn or scratched to prevent rust. Aerosol cans and touch-up bottles with brush applicator are available through your local dealer. Land Pride color descriptions and part numbers are listed below. Also available are quart and gallon size paints. Add QT or GL to end of the Aerosol P/N.

Color	Product <sup>1</sup>	Aerosol	Touch-Up
Gloss Black	LP	821-032C	821-032CTU
Medium Gloss Black	UV	821-053C	821-053CTU
Beige	LP	821-011C	821-011CTU
Green	SLP	821-058C	821-058CTU
Orange	SLP	821-066C	821-066CTU
Red	SLP/UV	821-054C	821-054CTU
Blue	SLP/UV	821-067C	821-067CTU
Dark Green Sparkle	UV	821-055C	821-055CTU
Gondo Forest Green	UV	821-057C	821-057CTU
Brite Yellow <sup>2</sup>	UV	821-056C	821-056CTU
Gondo Yellow <sup>3</sup>	UV	821-059C	821-059CTU

Notes:

- LP = All Land Pride Products except Utility Vehicles  
SLP = Select Land Pride Products that are available in optional Green, Orange, Red, & Blue colors.  
UV = Utility Vehicles
- Used on Trekkers and (Runabouts with S/N 407628-)
- Used on Gondos and (Runabouts with S/N 407629+)



## General Information

### Hardware Legend

AR	As Required
BLADE	Blade Bolt
C	Cap Screw
CP	Cotter Pin
CPHSSS	Cup Point Hex Socket Set Screw
CPSHSS	Cup Point Square Head Set Screw
CPSQHSS	Cup Point Square Head Set Screw
CRFCHMS3	Cross Recess Flat Countersunk Head Machine Screw
CRPHMS	Cross Recess Pan Head Machine Screw
CRPHTFS	Cross Recess Pan Head Thread Forming
CRRHMS	Cross Recess Round Head Machine Screw
CRTHMS	Cross Recess Truss Head Machine Screw
CSNB	Countersunk Square Neck Bolt
FHMS	Flat Head Machine Screw
FTC	Full Thread Cap Screw
H	Hex Nut
HCLN	Hex Center Lock Nut
HFLCS	Hex Flange Lock Cap Screw
HFS	Hex Flange Screw
HFSLN	Hex Flange Serrated Lock Nut
HFSS	Hex Flange Serrated Screw
HHCS	Hex Head Cap Screw or Metric Bolt
HSBHCS	Hex Socket Button Head Cap Screw
HSFCHCS	Hex Socket Flat Countersunk Head Cap Screw
HSHCS	Hex Socket Head Cap Screw
HSSS	Hex Socket Head Screw
HTLN	Hex Top Lock Nut
HWHCS	Hex Washer Head Cap Screw

HWHMS	Hex Washer Head Machine Screw
HXBHCS	Hex Socket Button Head Cap Screw
J	Hex Jam Nut
JIC	37 Degree Tapered Thread
L	Helical Spring Lock Washer
LUG	Lug Bolt
NFC	National Fine Cap Screw
NPSM	National Pipe Straight Mechanical
NPTF	National Pipe Taper Fuel
P	Wide Plain Washer
PHMS	Pan Head Machine Screw
PLOW	Plow Bolt
RHMS	Round Head Machine Screw
RHSNB	Round Head Square Neck Bolt
SCREW LEVELING	Leveling Screw
SCREW THUMB	Thumb Screw
SCREW WELD	Weld Screw
SFCHMS	Slotted Flat Countersunk Head Machine Screw
SFHMS	Slotted Fillister Head Machine Screw
SP	Special
SP SCREW	Special Screw
SQHSS	Square Head Set Screw
SRHMS	Slotted Round Head Machine Screw
SSS	Socket Set Screw
STCS	Self Tapping Cap Screw
STHMS	Slotted Truss Head Machine Screw
WHEEL	Wheel Studs and Hub Long Bolts
WING	Wing Bolt

### Replacement Hardware

The **Hardware Legend** above lists hardware abbreviations used in the parts list. All bolts and nuts are Grade 5 unless otherwise noted. The use of improper grades of hardware can result in personal injury, damage to equipment, or loss of property.

### Colored Replacement Parts

Land Pride offers replacement parts in factory standard colors and also on select models in Green, Orange, Red and Blue. Because of the variety of colors available, special attention must be given to the part number to prevent ordering the wrong replacement part.

A suffix number corresponding to one of the colors below must be added at the end of Land Pride's part number when ordering a replacement part with that color.

**81 . . . . . Green      83 . . . . . Red**  
**82 . . . . . Orange    84 . . . . . Blue**

For example, if you are ordering a replacement part with part number 555-555C and the part you need is red, then add the suffix 83 to the end of the number to make the part number read 555-555C83. Parts ordered without a suffix number will be supplied in factory standard colors.

### Black Replacement Parts

Some parts are factory standard black and some must be special ordered black. If your part is special ordered black, a second part number with the additional suffix number 85 on the end will be available. In this situation you must order that part with the suffix number for it to be black. Parts that are factory standard black will not have the suffix number.

### Part Number Service Coding

Within the parts list some part numbers are coded for revisions and interchangeability. See notations in revision column.

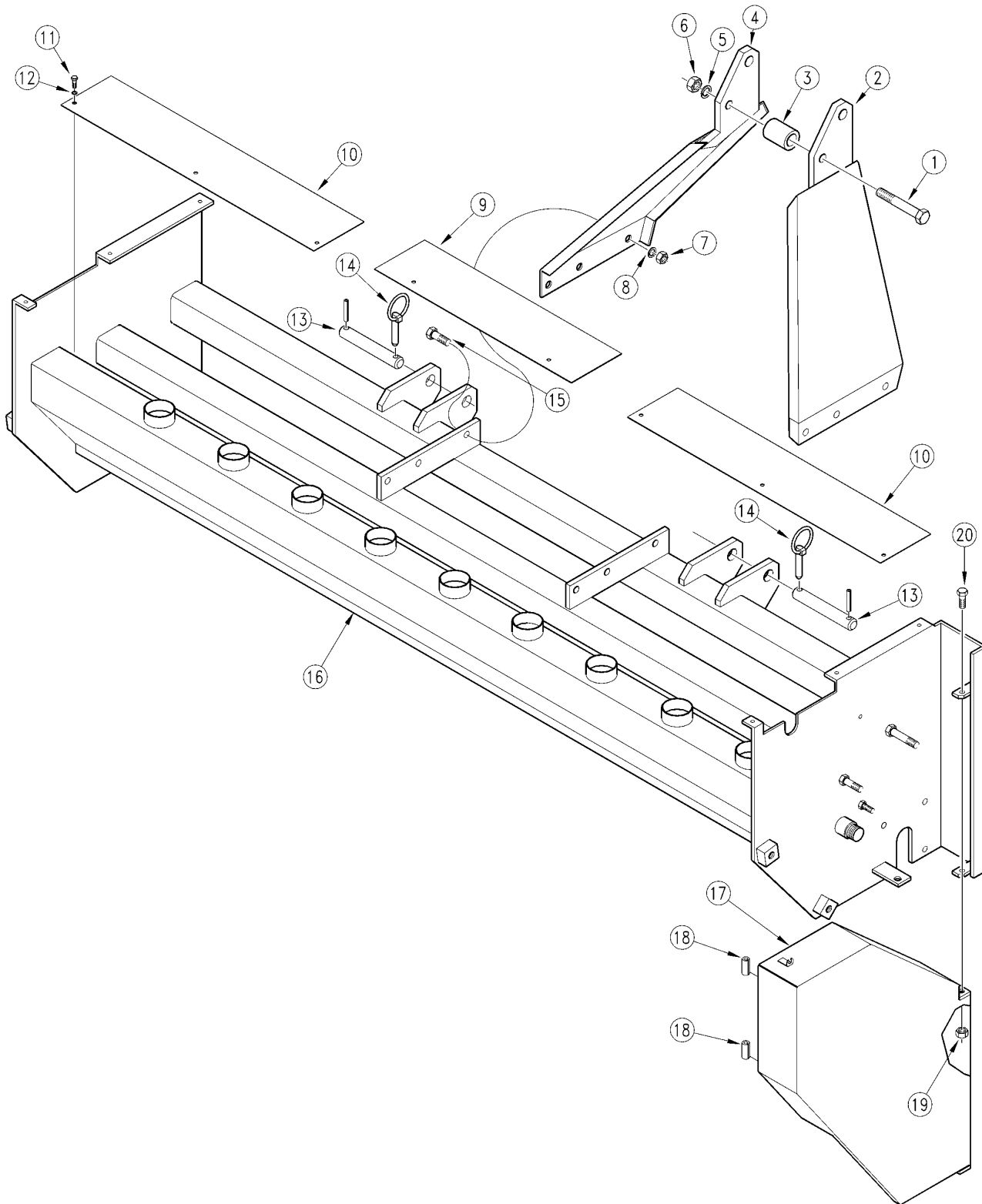
### Serial Numbers

Always use the serial and model number when ordering parts. Refer to the Operator's Manual for serial number plate location.

- |                      |  |
|----------------------|--|
| (S/N 20001+)         | Includes serial numbers 20001 and above (to the latest number)   |
| (S/N 10001 to 20000) | Includes serial numbers between and including 10001 and 20000    |
| (S/N 10000-)         | Includes serial numbers 10000 and below (to the earliest number) |

**Frame & Hitch Assembly (S/N 302166-)**

Applies to PS1572



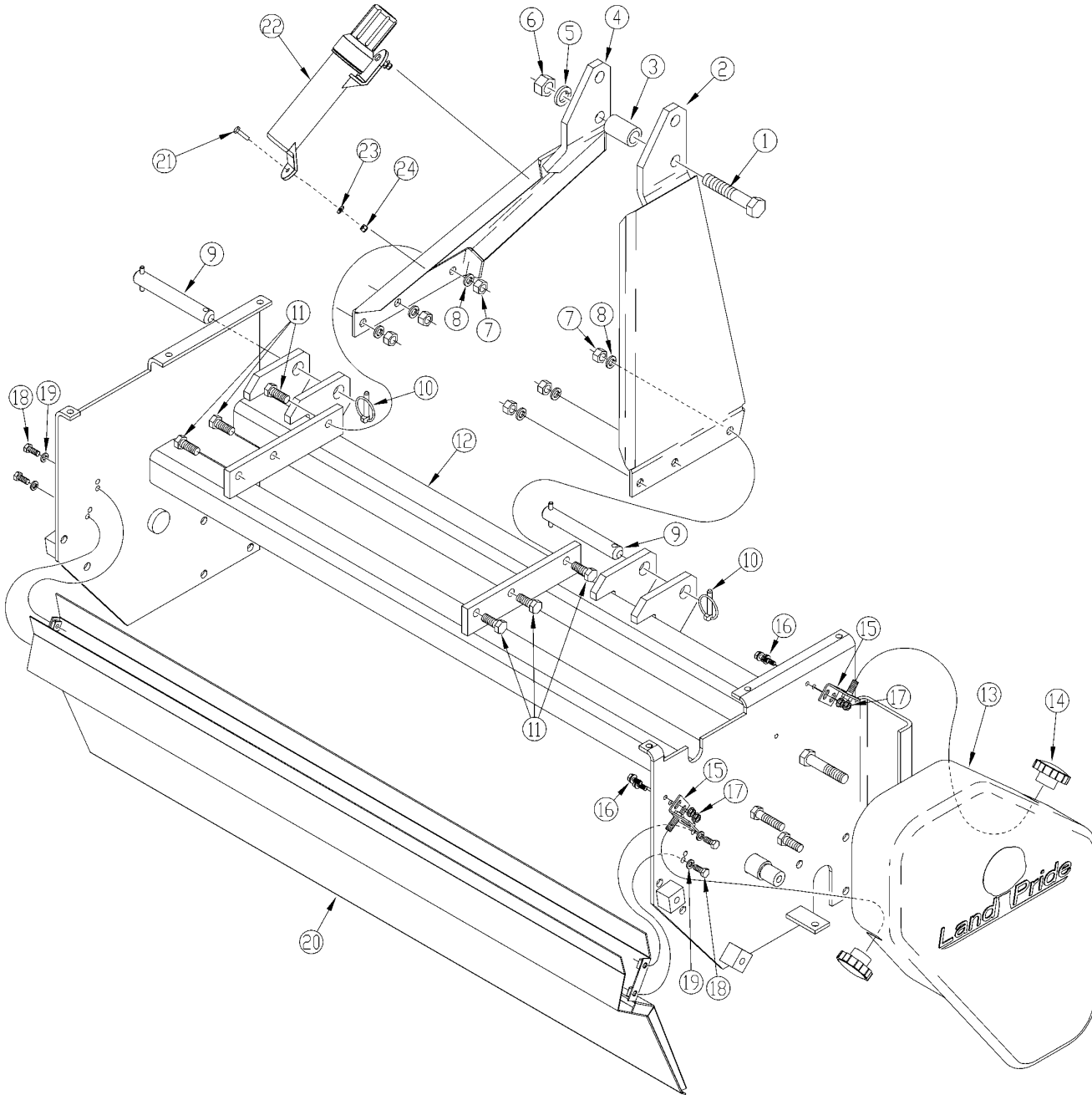
10665

**Frame & Hitch Assembly (S/N 302166-)****Applies to PS1572**

<b>Ref</b>	<b>Part No.</b>	<b>Part Description</b>	<b>Comments</b>	<b>Revision</b>
	dwg10665	Drawing Image Number		
1.	802-068C	HHCS 3/4-10X4 GR5	(S/N 280120+)	Rev. 2 not compat. w/Rev. 1.
1.	802-153C	HHCS 5/8-11X3 3/4 GR5	(S/N 280119-)	Rev. 1
2.	313-010H	R.H. UPPER HITCH		
3.	308-400D	SPACER 1 1/4OD X 25/32ID X 2LG	(S/N 280120+)	Rev. 2 not compat. w/Rev. 1.
3.	311-093D	TOP SPACER HEAVY HITCH RTA15	(S/N 280119-)	Rev. 1
4.	313-011H	L.H. UPPER HITCH		
5.	804-023C	WASHER LOCK SPRING 3/4 PLT	(S/N 280120+)	Rev. 2 not compat. w/Rev. 1.
5.	804-022C	WASHER LOCK SPRING 5/8 PLT	(S/N 280119-)	Rev. 1
6.	803-027C	NUT HEX 3/4-10 PLT	(S/N 280120+)	Rev. 2 not compat. w/Rev. 1.
6.	803-021C	NUT HEX 5/8-11 PLT	(S/N 280119-)	Rev. 1
7.	803-020C	NUT HEX 1/2-13 PLT		
8.	804-015C	WASHER LOCK SPRING 1/2 PLT		
9.	313-003D	CENTER WIND PLATE		
10.	313-020D	RH - LH WIND PLATE		
11.	802-004C	HHCS 1/4-20X3/4 GR5		
12.	804-006C	WASHER LOCK SPRING 1/4 PLT		
13.	308-110S	LOWER HITCH PIN ASS'Y		
14.	805-015C	PIN LYNCH 5/16 X 1 3/4		
15.	802-034C	HHCS 1/2-13X1 1/4 GR5		
16.	313-003H	72 FRAME WELD		
17.	313-004H	CHAIN GUARD		
18.	816-004C	VINYL SEAL 3/8 X 1/2/FT		
19.	803-013C	NUT LOCK 3/8-16 PLT		
20.	802-017C	HHCS 3/8-16X1 GR5		

**Frame & Hitch Assembly (S/N 302167+)**

Applies to PS1548, PS1572



18896

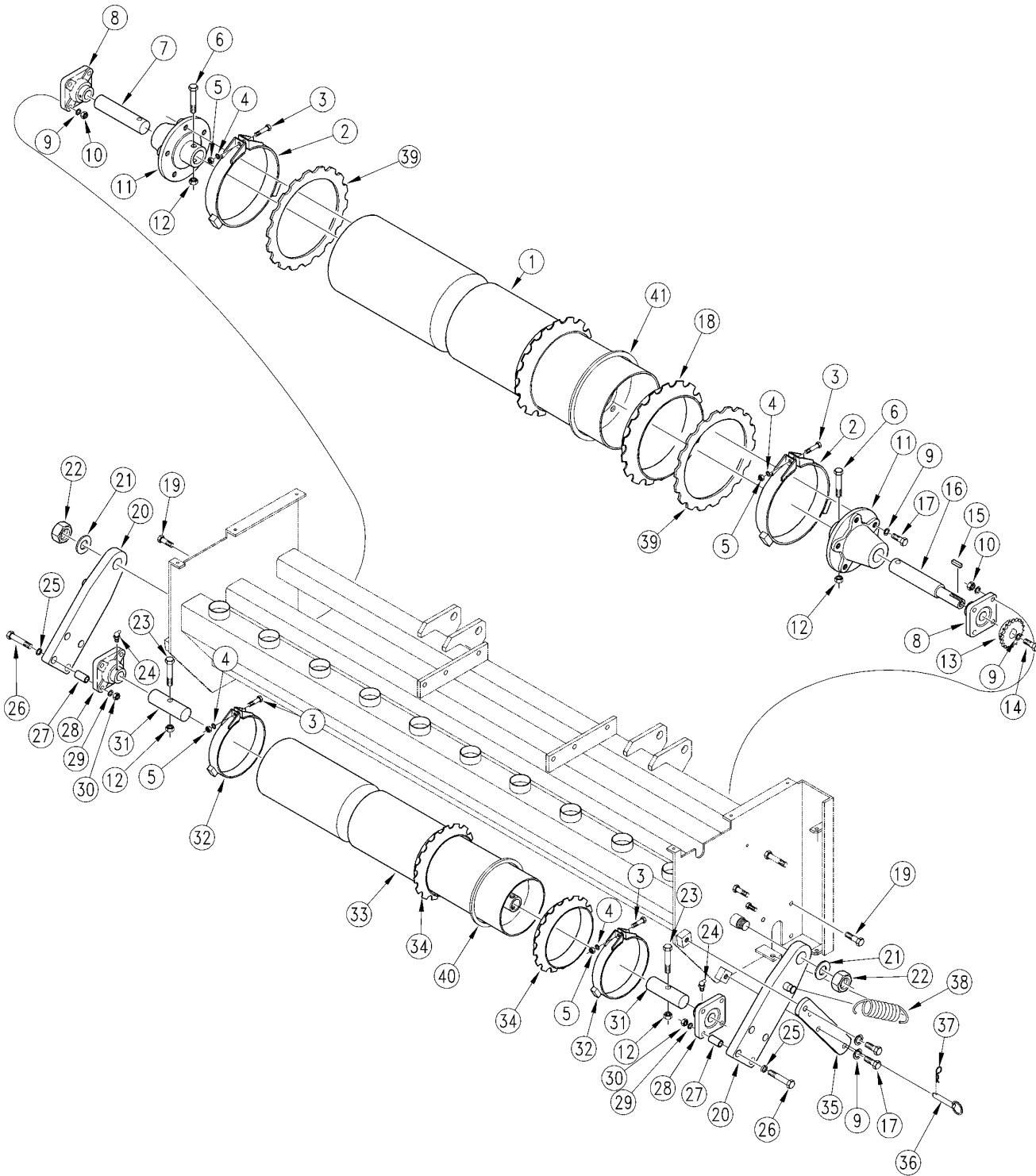


**Frame & Hitch Assembly (S/N 302167+)****Applies to PS1548, PS1572**

<b>Ref</b>	<b>Part No.</b>	<b>Part Description</b>	<b>Comments</b>	<b>Revision</b>
	dwg18896	Drawing Image Number		
1.	802-068C	HHCS 3/4-10X4 GR5	(S/N 306787+)	Rev. 2
1.	802-067C	HHCS 3/4-10X4 GR5 FTHD	(S/N 306786-)	Use up stock; Rev. 1.
2.	313-010H	R.H. UPPER HITCH		
2.	313-010H82	R.H. UPPER HITCH ORANGE		
3.	308-400D	SPACER 1 1/4OD X 25/32ID X 2LG		
4.	313-011H	L.H. UPPER HITCH		
4.	313-011H82	L.H. UPPER HITCH ORANGE		
5.	804-023C	WASHER LOCK SPRING 3/4 PLT		
6.	803-027C	NUT HEX 3/4-10 PLT		
7.	803-020C	NUT HEX 1/2-13 PLT		
8.	804-015C	WASHER LOCK SPRING 1/2 PLT		
9.	308-110S	LOWER HITCH PIN ASS'Y		
10.	805-015C	PIN LYNCH 5/16 X 1 3/4		
11.	802-034C	HHCS 1/2-13X1 1/4 GR5		
12.	313-233H	PS1548 FRAME WELDMENT		
12.	313-269H	PS1572 FRAME WELD		
12.	313-269H82	PS2072 FRAME WELD ORANGE		
13.	816-341C	PS15 CHAIN/SPROCKET GUARD		
14.	817-259C	KNOB 3/8-16 FEMALE THD 2 3/8OD		
15.	313-182H	PS25120 CHAIN GUARD MTG.-LG.		
16.	802-196C	HFSS 1/4-20X5/8 GR5		
17.	803-194C	NUT HEX WHIZ 1/4-20 PLT		
18.	802-007C	HHCS 5/16-18X3/4 GR5		
19.	804-009C	WASHER LOCK SPRING 5/16 PLT		
20.	313-291H	PS1548 SEED DROP WELDMENT	(S/N 313381+)	Rev. 2
20.	313-230H	SPS 48" SEED DROP WELDMENT	(S/N 313380-)	Use up stock; Rev. 1.
20.	313-292H	PS1572 SEED DROP WELDMENT	(S/N 313381+)	Rev. 2
20.	313-292H82	PS1572 SEED DROP WMT ORANGE		
20.	313-225H	SPS SEED DROP WELDMENT	(S/N 313380-)	Use up stock; Rev. 1.
21.	802-005C	HHCS 1/4-20X1 GR5	(S/N 538423+)	
22.	816-504C	MANUAL STORAGE CONTAINER	(S/N 538423+)	
23.	804-007C	WASHER FLAT 1/4 SAE PLT	(S/N 538423+)	
24.	803-255C	NUT HEX NYLOCK 1/4-20	(S/N 538423+)	

# Roller Assemblies

Applies to PS1548, PS1572



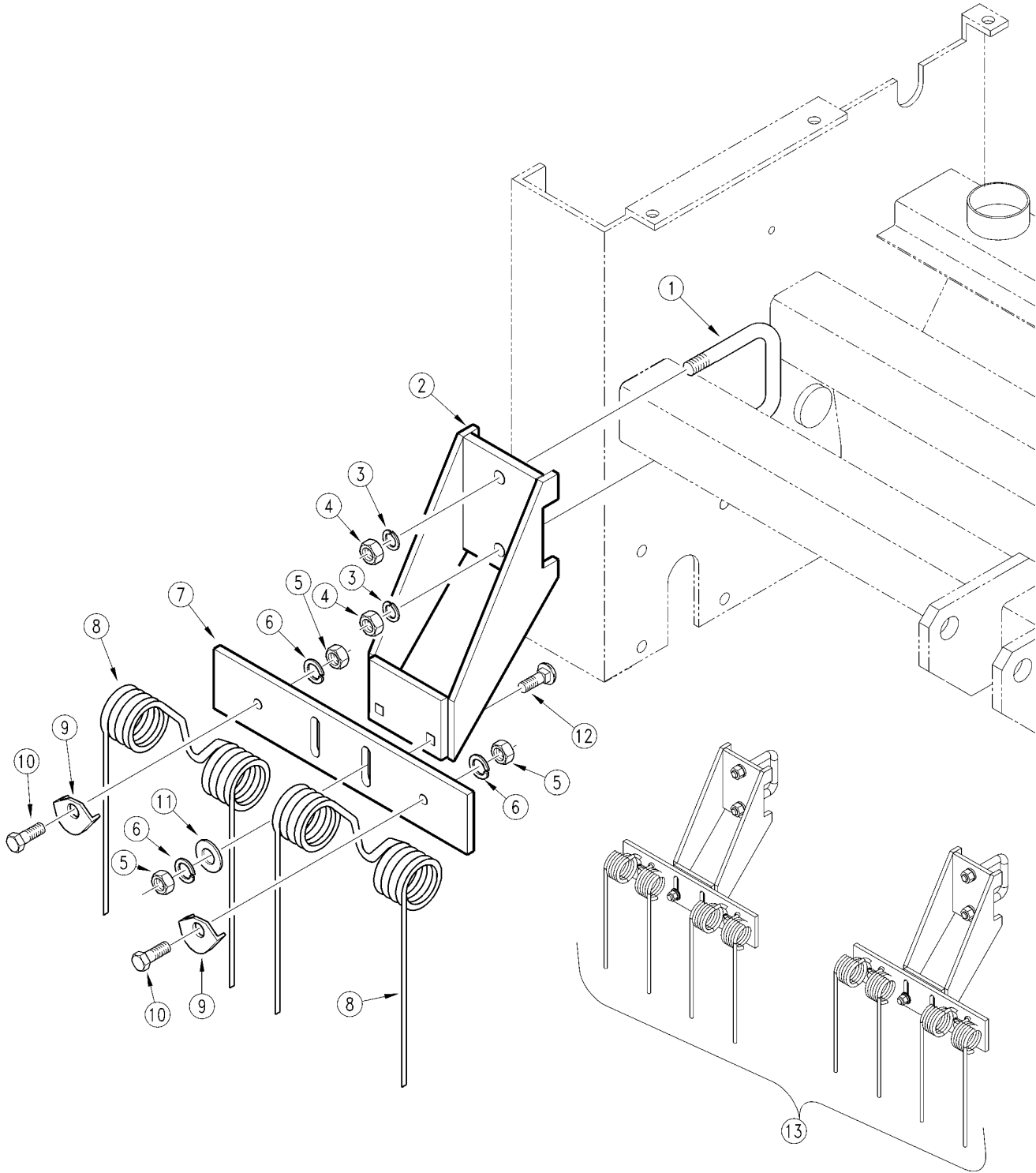
12935

**Roller Assemblies****Applies to PS1548, PS1572**

Ref	Part No.	Part Description	Comments	Revision
	dwg12935	Drawing Image Number		
1.	313-005H	FRONT ROLLER WELD		
1.	313-235H	PS1548 FRONT ROLLER WELD		
2.	313-006H	FRONT ROLLER CLAMP		
3.	802-143C	HHCS 3/8-16X2 GR5		Rev. 2
3.	802-022C	HHCS 3/8-16X1 1/2 GR5		Rev. 1
4.	804-013C	WASHER LOCK SPRING 3/8 PLT		
5.	803-014C	NUT HEX 3/8-16 PLT		
6.	802-039C	HHCS 1/2-13X3 GR5		
7.	313-022D	FRONT ROLLER STUB SHAFT		
8.	822-004C	BRG ECNTRC CAM LCK 4BLT-1 1/2B		
9.	804-015C	WASHER LOCK SPRING 1/2 PLT		
10.	803-020C	NUT HEX 1/2-13 PLT		
11.	313-018D	FRONT ROLLER HUB		
12.	803-019C	NUT LOCK 1/2-13 PLT		
13.	808-159C	SPKT 40B17 X 1 BORE W/KW & SS	(S/N 222276+)	Rev. 6 not compat. w/Rev. 5
13.	808-125C	SPKT 40B19X1 B MAX .875 THRU	RPBY 808-159C	Rev. 5
13.	152-312D	RPBY 808-125C		Rev 4; Use up stock
13.	808-052C	RPBY 152-312D	(S/N 125952+)	Use up stock; Rev. 3 not compat. w/Rev. 2
13.	808-159C	SPKT 40B17 X 1 BORE W/KW & SS	(S/N 103331<->125951)	Rev. 2 not compat. w/Rev. 1
13.	808-052C	RPBY 152-312D	(S/N 103330-)	Rev. 1
14.	802-240C	HHCS 1/2-20X1 GR5		Rev. 2
14.	802-032C	HHCS 1/2-13X3/4 GR5		Rev 1; Use up stock
15.	123-004D	DRIVE SPROCKET KEY		
16.	313-168D	DRIVE SHAFT PS25120		Rev. 2
16.	313-021D	RPBY 313-168D		Rev 1; Use up stock
17.	802-034C	HHCS 1/2-13X1 1/4 GR5		
18.	812-056C	ROLLER WHEEL 12		
19.	802-082C	HHCS 1/2-13X1 3/4 GR5		
20.	313-009H	PIVOT ARM REAR ROLLER		
21.	804-029C	WASHER FLAT 1 SAE		
22.	803-038C	NUT HEX 1-8 NYLON INSERT PLT		
23.	802-128C	HHCS 1/2-13X2 GR5		Rev. 2
23.	802-038C	HHCS 1/2-13X2 1/4 GR5		Rev 1; Use up stock
24.	800-001C	GREASE ZERK STRAIGHT 1/4-28		Rev. 2 not compat. w/Rev. 1
24.	800-153C	ZERK GREASE 1/8 PTF 90 DEG		Rev. 1
25.	804-041C	WASHER FLAT 7/16 SAE PLT		
26.	802-315C	HHCS 7/16-14X2 3/4 GR5		
27.	313-050D	ROLLER BRG SPACER TUBE		
28.	822-085C	BEARING 1 BORE X 4 BOLT		
29.	804-014C	WASHER LOCK 7/16 PLT		
30.	803-015C	NUT HEX 7/16-14 PLT		
31.	313-035D	REAR ROLLER SHAFT		
32.	313-014H	REAR ROLLER CLAMP		
33.	313-008H	REAR ROLLER WELD		
33.	313-238H	PS1548 REAR ROLLER WELD		
34.	812-133C	9 1/2 O.D. NOTCH ROLLER		
35.	313-015D	PIVOT ARM SIDE BAR		
36.	313-063S	REAR ROLLER LOCK PIN ASSY		
37.	805-010C	PIN HAIR COTTER .094		
38.	807-050C	SPRING EXT 1 13/32 X 6 EXT		
39.	308-360D	12 ROLLER SPACER 1/4		
40.	308-404D	PACKER WHL 6 3/4ID SPCR 1/4THK		
41.	308-399D	PACKER WHEEL 1/4 SPACER PLATE		

### Track Removers

Applies to PS1548, PS1572



12430

## Track Removers

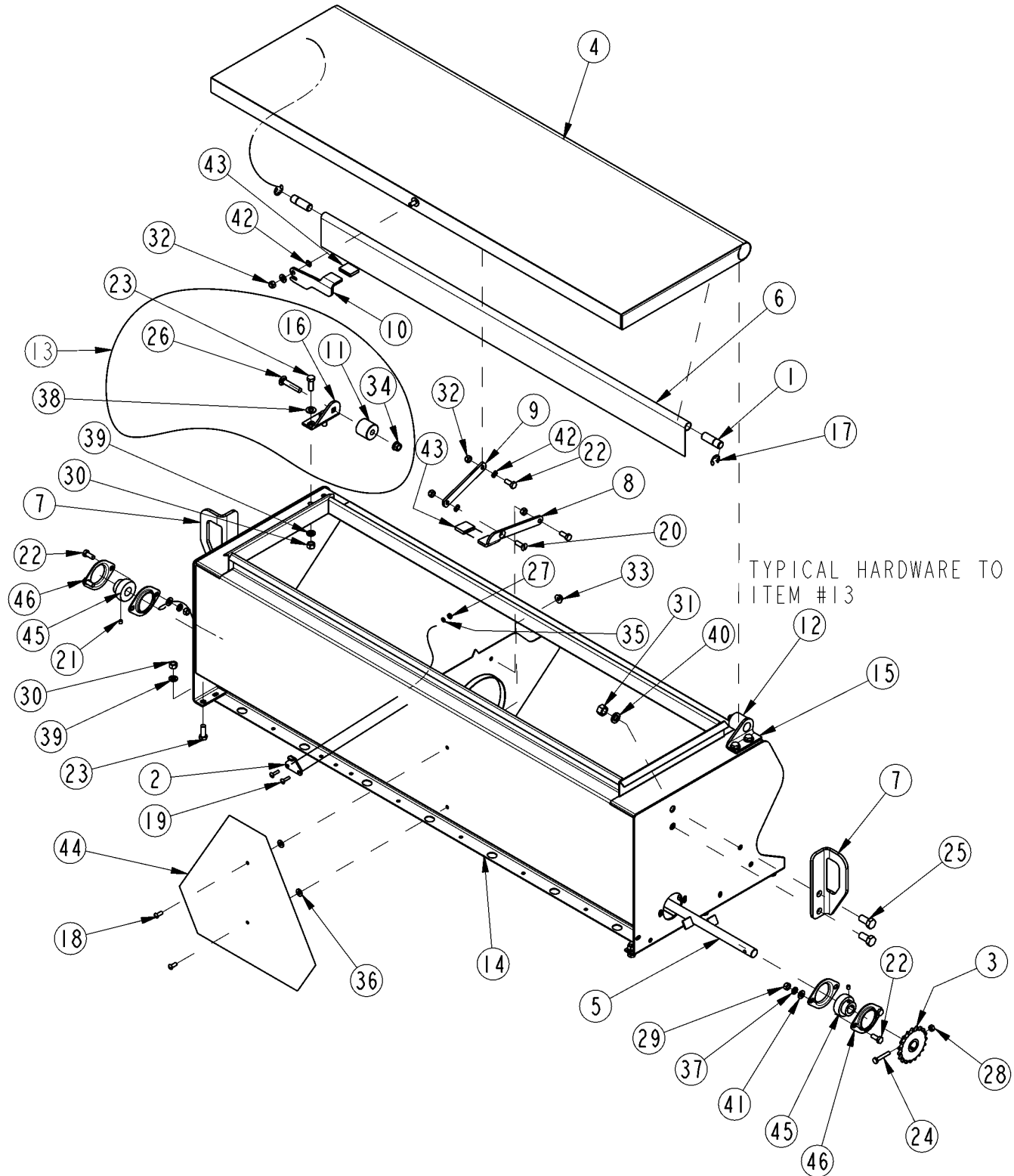
---

### Applies to PS1548, PS1572

Ref	Part No.	Part Description	Comments	Revision
	dwg12430	Drawing Image Number		
1.	806-010C	U-BOLT 1/2-13X2 1/2X 3 1/2		
2.	313-027H	FRAME MTG TRACK REMOVER		
3.	804-015C	WASHER LOCK SPRING 1/2 PLT		
4.	803-020C	NUT HEX 1/2-13 PLT		
5.	803-014C	NUT HEX 3/8-16 PLT		
6.	804-013C	WASHER LOCK SPRING 3/8 PLT		
7.	313-060D	TINE MOUNTING PLATE		
8.	807-044C	DOUBLE TORSION SPRING		
9.	308-180D	TINE RETAINER WASHER		
10.	802-022C	HHCS 3/8-16X1 1/2 GR5		
11.	804-012C	WASHER FLAT 3/8 SAE PLT		
12.	802-155C	RHSNB 3/8-16X1 1/4 GR5		
13.	313-028A	TRACK REMOVER BUNDLE		

**Box Assembly (S/N 543362+)**

Applies to PS1572



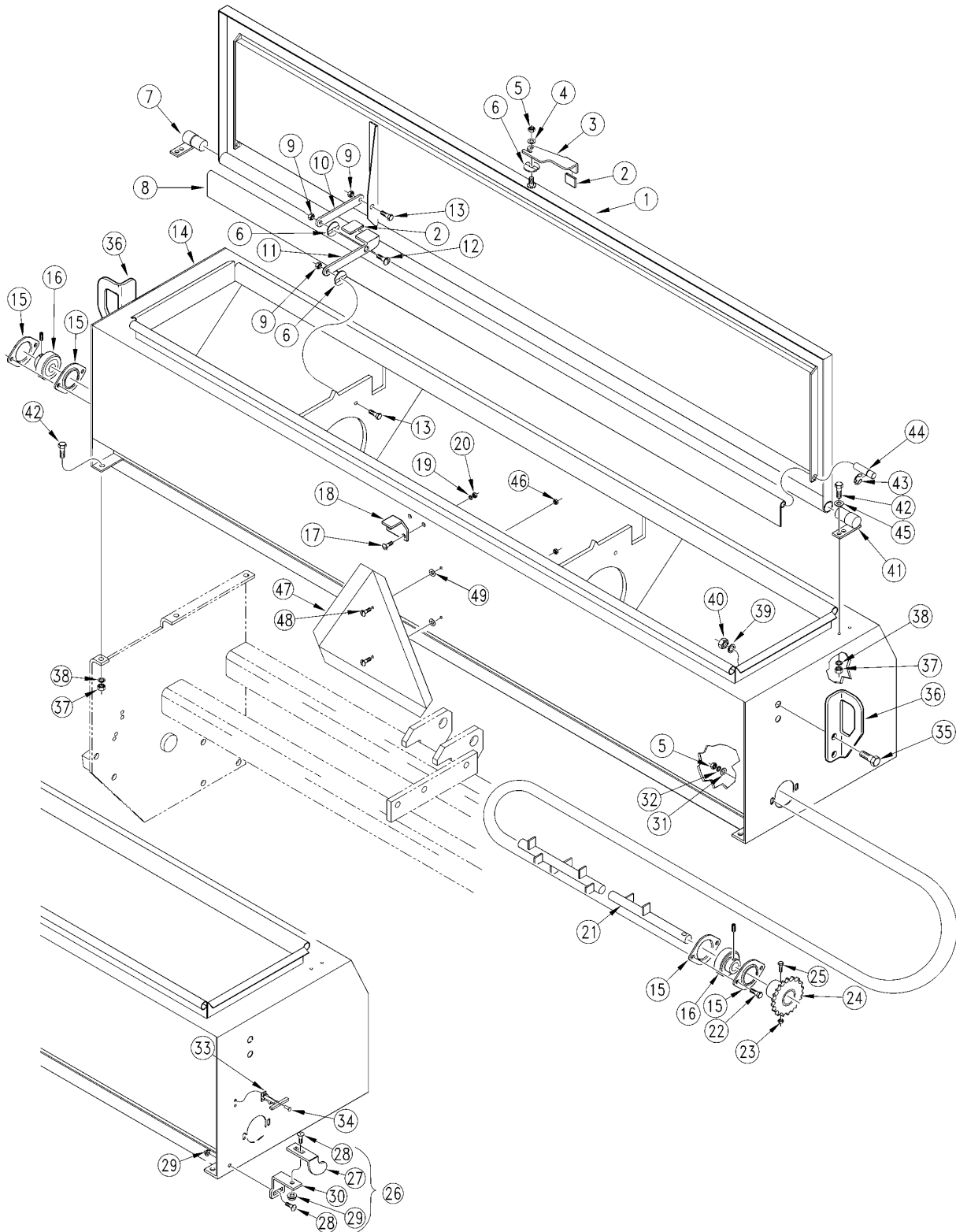
24918

**Box Assembly (S/N 543362+)****Applies to PS1572**

Ref	Part No.	Part Description	Comments	Revision
	dwg24918	Drawing Image Number		
1.	179-025D	SEED DIVERTER PIN	S/N 573698-	
2.	179-030D	REAR LID LATCH STRIKE		
3.	202-002H	19T SPEED CHANGE SPROCKET		
4.	308-366H	LID WELDMENT, 72"	S/N 573699+	
4.	308-366H82	LID WELDMENT, 72" ORANGE		
4.	308-002H	72 LID WELDMENT	S/N 573698-	
4.	308-002H82	72 LID WELDMENT ORANGE		
5.	308-003H	AGITATOR WELDMENT 72"		
6.	308-117D	SEED DIVERTER 72"	S/N 573698-	
6.	308-117D82	SEED DIVERTER ORANGE		
7.	308-193D	SLING BRKT		
7.	308-193D82	SLING BKT ORANGE		
8.	308-392D	LID LATCH - LOWER ARM	S/N 536656+	
8.	313-720D	LID LATCH LOWER ARM APS 48/72	S/N 536655-	
9.	308-393D	LID LATCH - UPPER ARM	S/N 536656+	
9.	313-721D	LID LATCH UPPER ARM APS 48/72	S/N 536655-	
10.	308-394D	LID LATCH - HANDLE		
11.	313-186D	LID HINGE PIVOT		
12.	313-381S	RIGHT HAND HINGE		
13.	313-382S	LEFT HAND HINGE		
14.	313-379H	APS1572 SEEDBOX		
14.	313-379H82	APS1572 SEEDBOX ORANGE		
15.	313-704D	RIGHT BRACKET		
16.	313-705D	LEFT BRACKET		
17.	800-048C	SNAP RING EXT E 5/8	S/N 573698-	
18.	801-018C	SCREW RD HD 1/4-20 X 5/8		
19.	801-021C	SCREW RD HD 10-24 X 3/4 PLT		
20.	801-024C	SCREW 5/16-18X82DEG CNTSKX1P		
21.	801-045C	SCREW SET 1/4-28X1/4 KNL CUP		
22.	802-007C	HHCS 5/16-18X3/4 GR5		
23.	802-017C	HHCS 3/8-16X1 GR5		
24.	802-167C	HHCS 1/4-20X1 1/2 GR5		
25.	802-258C	HHCS 1/2-13X1 GR5		
26.	802-411C	RHSNB 3/8-16X2 GR5		
27.	803-001C	NUT HEX 10-24 PLT		
28.	803-007C	NUT LOCK 1/4-20 PLT		
29.	803-008C	NUT HEX 5/16-18 PLT		
30.	803-014C	NUT HEX 3/8-16 PLT		
31.	803-020C	NUT HEX 1/2-13 PLT		
32.	803-084C	NUT HEX NYLOCK 5/16-18 PLT		
33.	803-088C	NUT HEX LOCK 1/4-20 FLG		
34.	803-209C	NUT FLANGE LOCK 3/8-16 PLT		
35.	804-004C	WASHER INTERNAL STAR #10 PLT		
36.	804-007C	WASHER FLAT 1/4 SAE PLT		
37.	804-009C	WASHER LOCK SPRING 5/16 PLT		
38.	804-012C	WASHER FLAT 3/8 SAE PLT		
39.	804-013C	WASHER LOCK SPRING 3/8 PLT		
40.	804-015C	WASHER LOCK SPRING 1/2 PLT		
41.	804-036C	WASHER FLAT 5/16 SAE PLT		
42.	804-056C	WASHER WAVE SPRING 5/16		
43.	817-033C	LID LATCH GRIP		
44.	818-055C	DECAL SLOW MOVING-GALV. BACKED		
45.	822-040C	BRG INS .75IDX1.85OD SPH LCK		
46.	822-041C	FLANGETTE 47 MST		

**Box Assembly (S/N 302166-)**

Applies to PS1548, PS1572



12934



**Box Assembly (S/N 302166-)****Applies to PS1548, PS1572**

Ref	Part No.	Part Description	Comments	Revision
	dwg12934	Drawing Image Number		
1.	308-002H	72 LID WELDMEN	PS1572	
1.	308-081H	OVERSEEDER LID 4'	PS1548	
2.	817-033C	LID LATCH GRIP		
3.	308-394D	OS48/72 LID LATCH - HANDLE		Rev. 2
3.	179-023D	LID LATCH - HANDLE		Rev 1; Use up stock
4.	804-036C	WASHER FLAT 5/16 SAE PLT		
5.	803-008C	NUT HEX 5/16-18 PLT		
6.	804-056C	WASHER WAVE SPRING 5/16		
7.	308-332H	OS LID HINGE WELDMENT L.H.		Rev. 2
7.	179-004H	LID HINGE WELDMENT L.H.		Rev 1; Use up stock
8.	308-117D	SEED DIVERTER	PS1572	
8.	308-175D	SEED DIVERTER OS1548	PS1548	
9.	803-084C	NUT HEX NYLOCK 5/16-18 PLT		
10.	308-393D	OS48/72 LID LATCH - UPPER ARM		Rev. 2
10.	179-022D	LID LATCH - UPPER ARM		Rev 1; Use up stock
11.	308-392D	OS48/72 LID LATCH - LOWER ARM		Rev. 2
11.	179-021D	LID LATCH - LOWER ARM		Rev 1; Use up stock
12.	801-024C	SCREW 5/16-18X82DEG CNTSKX3/4P		
13.	802-007C	HHCS 5/16-18X3/4 GR5		Rev. 2
13.	802-159C	HHCS 5/16-18X1 GR5		Rev 1; Use up stock
14.	313-001H	72 SEED BOX WELD	PS1572	
14.	313-209H	SPS 2048 SEEDBOX WELDMENT	PS1548	
15.	822-041C	FLANGETTE 47 MST		
16.	822-040C	BEARING 3/4BORE 47MM SPHERE OD		
17.	801-021C	SCREW RD HD 10-24 X 3/4 PLT		
18.	308-395D	OS REAR LID LATCH STRIKE		Rev. 2
18.	179-030D	REAR LID LATCH STRIKE		Rev 1; Use up stock
19.	804-004C	WASHER INTERNAL STAR #10 PLT		
20.	803-001C	NUT HEX 10-24 PLT		
21.	308-003H	AGITATOR WELDMENT	PS1572	
21.	308-085H	48 AGITATOR WELDMENT	PS1548	
22.	802-007C	HHCS 5/16-18X3/4 GR5		
23.	803-007C	NUT LOCK 1/4-20 PLT		
24.	202-002H	19T SPEED CHANGE SPROCKET	(S/N 222276+) (S/N 125951-)	Rev. 1; Rev. 3
24.	308-286H	AGITATOR SPROCKET 19T WELDMENT	(S/N 125952 <-> 222275)	Rev. 2 not compat. w/Rev. 1
25.	802-167C	HHCS 1/4-20X1 1/2 GR5		
26.	308-306S	IDLER BAR ASSEMBLY	(S/N 222276+) Includes one of items 27; 28, 29; and 30.	Rev. 2 not compat. w/Rev. 1
26.	308-369D	IDLER BAR		Rev. 1
27.	308-374D	IDLER BAR ADJUSTMENT	(S/N 222275-)	
28.	802-092C	RHSNB 5/16-18X3/4 GR5	(S/N 222275-)	
29.	803-199C	NUT HEX FLANGE 5/16-18 PL	(S/N 222275-)	
30.	308-369D	IDLER BAR	(S/N 222275-)	
31.	804-010C	WASHER FLAT 5/16 USS PLT		
32.	804-009C	WASHER LOCK SPRING 5/16 PLT		
33.	816-112C	RUBBER LATCH 37-11-065-10		
34.	800-110C	RIVET POP 1/8 X .328 AD43BS		Rev. 2 not compat. w/Rev. 1
34.	800-056C	RIVET POP 3/32 .125 AD32BS		Rev. 1
35.	802-258C	HHCS 1/2-13X1 GR5		
36.	308-193D	OVERSEEDER/PRIMARY SLING BRKT		
37.	803-014C	NUT HEX 3/8-16 PLT		
38.	804-013C	WASHER LOCK SPRING 3/8 PLT		
39.	804-015C	WASHER LOCK SPRING 1/2 PLT		
40.	803-020C	NUT HEX 1/2-13 PLT		
41.	308-333H	OS LID HINGE WELDMENT R.H.		Rev. 2
41.	179-005H	LID HINGE WELDMENT R.,H.		Rev 1; Use up stock
42.	802-017C	HHCS 3/8-16X1 GR5		

**Box Assembly (S/N 302166-) (continued)**

---

**Applies to PS1548, PS1572**

<b>Ref</b>	<b>Part No.</b>	<b>Part Description</b>	<b>Comments</b>	<b>Revision</b>
43.	800-048C	RING SNAP EXTERNAL 'E' 5/8		
44.	179-025D	SEED DIVERTER PIN		
45.	804-012C	WASHER FLAT 3/8 SAE PLT		
46.	803-088C	NUT HEX LOCK 1/4-20 FLG		
47.	818-055C	DECAL SLOW MOVING-GALV. BACKED		
48.	801-018C	SCREW RD HD 1/4-20 X 5/8		
49.	804-007C	WASHER FLAT 1/4 SAE PLT		

***Box Assembly (S/N 302166-) (continued)***

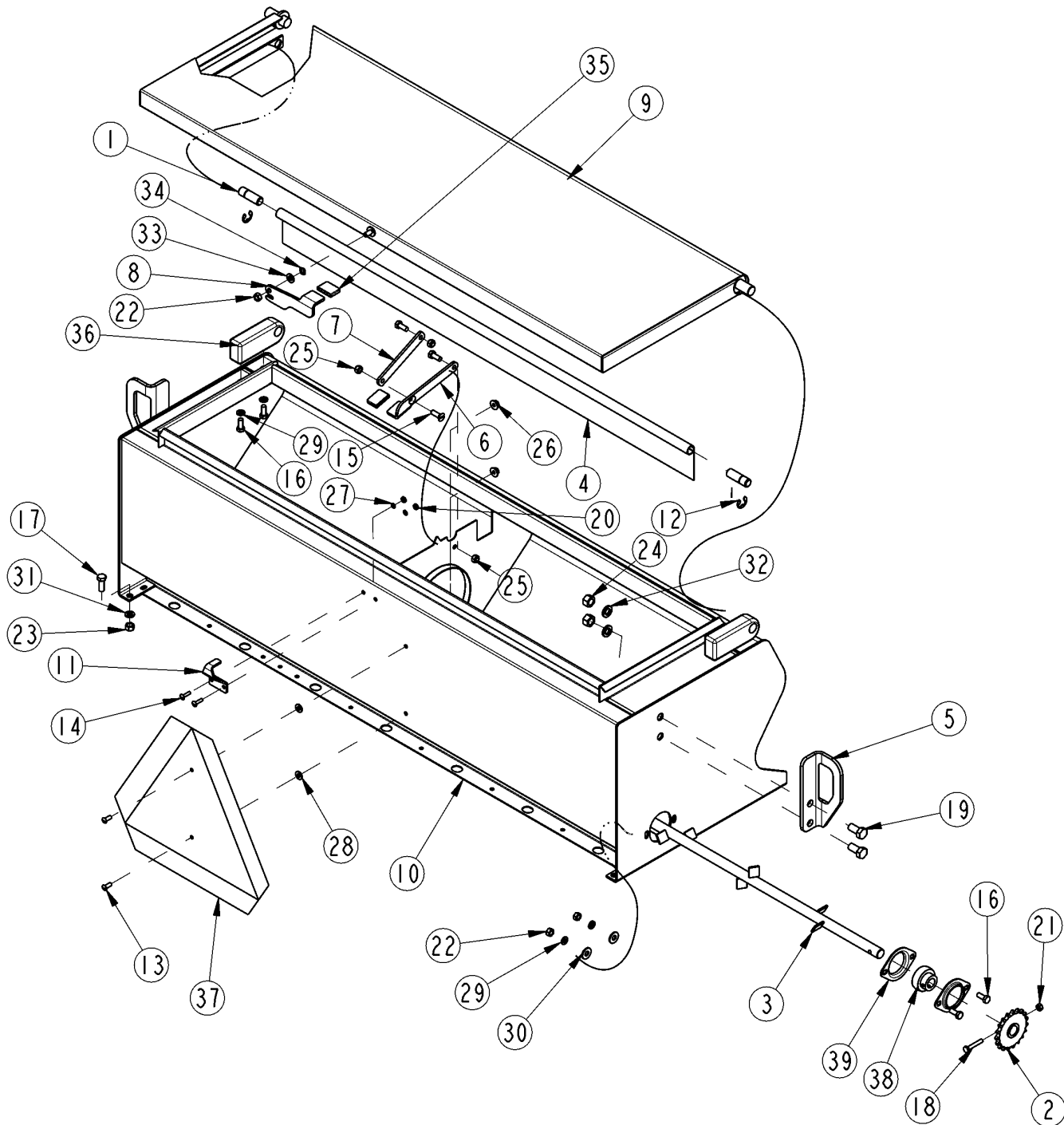
---

Applies to PS1548, PS1572

***This Page Intentionally Left Blank***

**Box Assembly (S/N 302167 to 543361)**

Applies to PS1548, PS1572



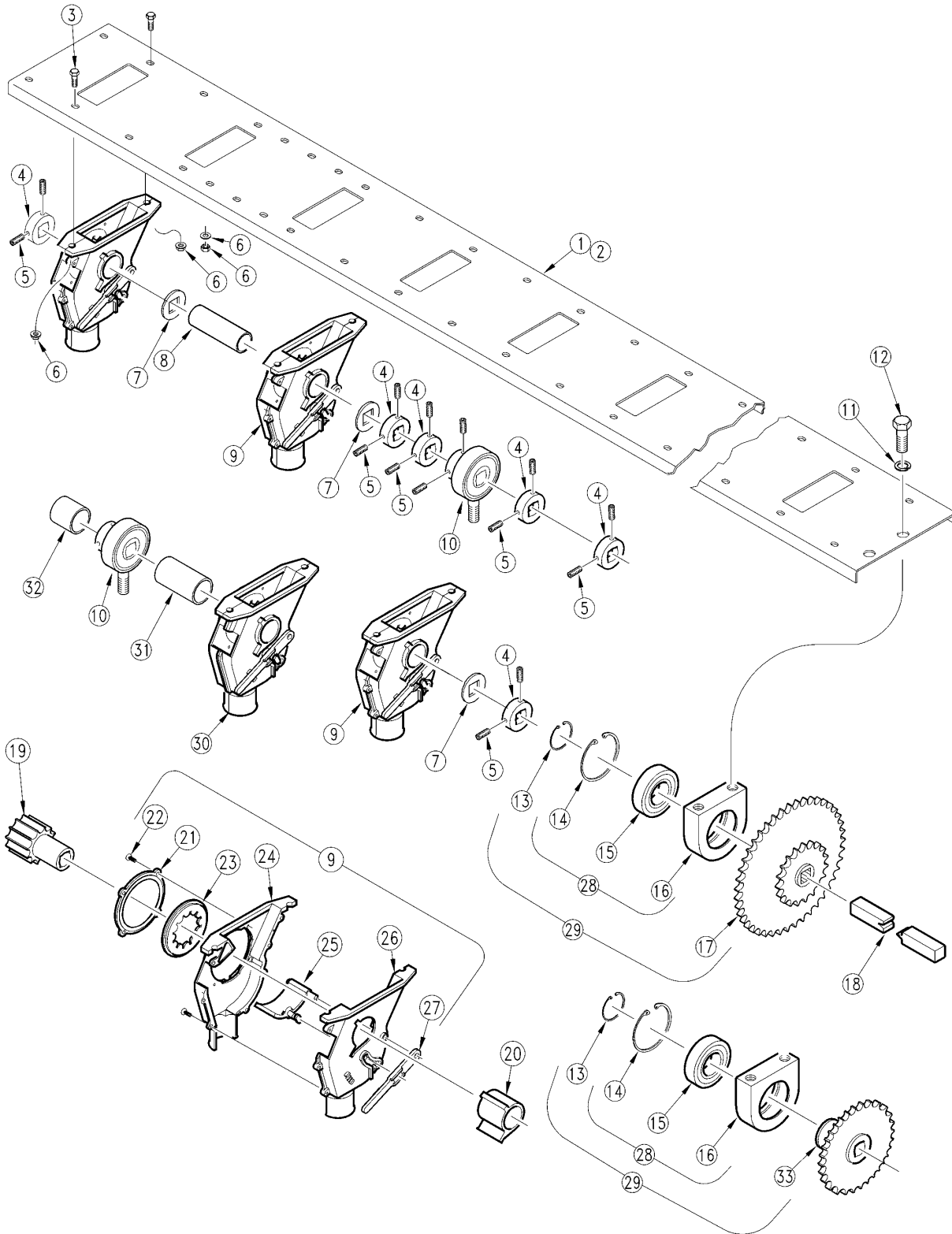
22059

**Box Assembly (S/N 302167 to 543361)****Applies to PS1548, PS1572**

Ref	Part No.	Part Description	Comments	Revision
	dwg22059	Drawing Image Number		
1.	179-025D	SEED DIVERTER PIN		
2.	202-002H	19T SPEED CHANGE SPROCKET		
3.	308-085H	48 AGITATOR WELDMENT	PS1548	
3.	308-003H	AGITATOR WELDMENT	PS1572	
4.	308-175D	SEED DIVERTER OS1548	PS1548	
4.	308-117D	SEED DIVERTER	PS1572	
4.	308-117D82	SEED DIVERTER ORANGE		
5.	308-193D	OVERSEEDER/PRIMARY SLING BRKT		
5.	308-193D82	OS/PS SLING BKT ORANGE		
6.	308-392D	OS48/72 LID LATCH - LOWER ARM		
7.	308-393D	OS48/72 LID LATCH - UPPER ARM		
8.	308-394D	OS48/72 LID LATCH - HANDLE		
9.	313-331H	PS1548 LID WELD	PS1548	
9.	313-330H	PS1572 LID WELD	PS1572	
9.	313-330H82	PS1572 LID WELD ORANGE		
10.	313-332H	PS1548 SEED BOX WELD	PS1548	
10.	313-329H	PS1572 SEED BOX WELD	PS1572	
10.	313-329H82	PS1572 SEED BOX WELD ORANGE		
11.	313-542D	PS2096 LID LATCH STRIKE		
12.	800-048C	SNAP RING EXT E 5/8		
13.	801-018C	SCREW RD HD 1/4-20 X 5/8		
14.	801-021C	SCREW RD HD 10-24 X 3/4 PLT		
15.	801-024C	SCREW 5/16-18X82DEG CNTSKX1P		
16.	802-007C	HHCS 5/16-18X3/4 GR5		
17.	802-017C	HHCS 3/8-16X1 GR5		
18.	802-167C	HHCS 1/4-20X1 1/2 GR5		
19.	802-258C	HHCS 1/2-13X1 GR5		
20.	803-001C	NUT HEX 10-24 PLT		
21.	803-007C	NUT LOCK 1/4-20 PLT		
22.	803-008C	NUT HEX 5/16-18 PLT		
23.	803-014C	NUT HEX 3/8-16 PLT		
24.	803-020C	NUT HEX 1/2-13 PLT		
25.	803-084C	NUT HEX NYLOCK 5/16-18 PLT		
26.	803-088C	NUT HEX LOCK 1/4-20 FLG		
27.	804-004C	WASHER INTERNAL STAR #10 PLT		
28.	804-007C	WASHER FLAT 1/4 SAE PLT		
29.	804-009C	WASHER LOCK SPRING 5/16 PLT		
30.	804-010C	WASHER FLAT 5/16 USS PLT		
31.	804-013C	WASHER LOCK SPRING 3/8 PLT		
32.	804-015C	WASHER LOCK SPRING 1/2 PLT		
33.	804-036C	WASHER FLAT 5/16 SAE PLT		
34.	804-056C	WASHER WAVE SPRING 5/16		
35.	817-033C	LID LATCH GRIP		
36.	817-443C	NYLATRON LID HINGE		
37.	818-055C	DECAL SLOW MOVING-GALV. BACKED		
38.	822-040C	BEARING 3/4BORE 47MM SPHERE OD		
39.	822-041C	FLANGETTE 47 MST		

# Feeder Cup & Channel Assembly

Applies to PS1548, PS1572



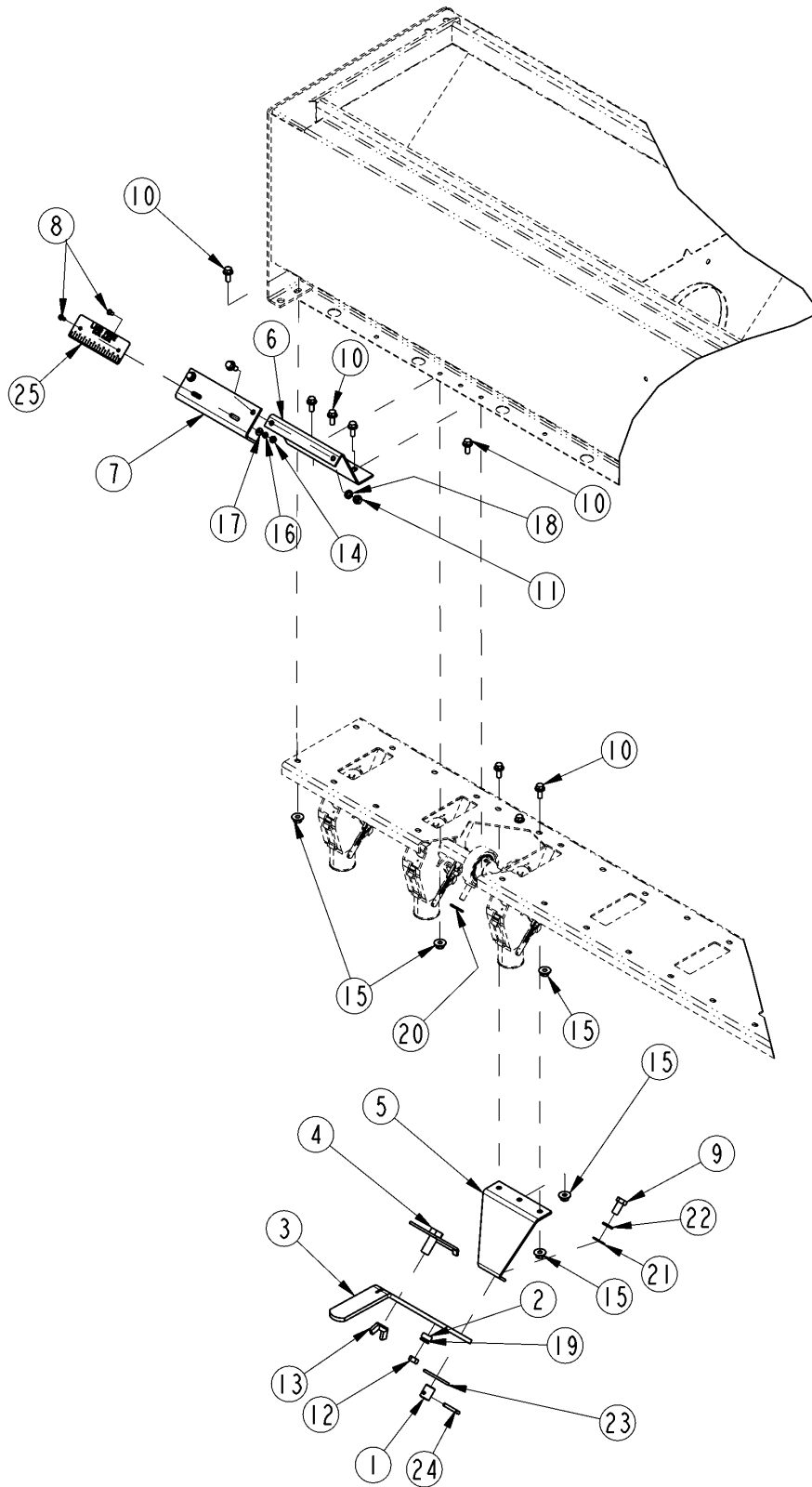
12869

**Feeder Cup & Channel Assembly****Applies to PS1548, PS1572**

Ref	Part No.	Part Description	Comments	Revision
	dwg12869	Drawing Image Number		
1.	308-227D	FEEDER CUP CHANNEL OS1572	PS1572	
1.	308-227D82	FEEDER CUP CHNL OS1572 ORANGE		
1.	308-226D	FEEDER CUP CHANNEL OS1548	PS1548	
2.		Not used		
3.	802-004C	HHCS 1/4-20X3/4 GR5		Rev. 3
3.	802-196C	HFSS 1/4-20X5/8 GR5		Rev 2; Use up stock
3.	802-078C	HHCS 1/4-20X5/8 GR5		Rev 1; Use up stock
4.	890-350C	5/8" SHAFT LOCKING COLLAR		Rev. 2
4.	182-022D	RPBY 890-350C		Rev 1; Use up stock
5.	801-035C	SCREW SET 5/16-18 SKT KP X 3/8		
6.	803-194C	NUT HEX WHIZ 1/4-20 PLT		Rev. 3
6.	804-052C	WASHER LOCK 1/4 EXTERNAL TOOTH		Rev 2; Use up stock
6.	803-006C	NUT HEX 1/4-20 PLT		Rev 2; Use up stock
6.	803-088C	NUT HEX LOCK 1/4-20 FLG		Rev 1; Use up stock
7.	804-031C	WASHER RETAINING		
8.	308-234D	SPACER TUBE 4.898 LONG	PS1572	
8.	308-253D	SPACER TUBE 4.991	PS1548	
9.	817-094C	SEED CUP ASSEMBLY-1 1/4"		Rev. 2
9.	817-016C	RPBY 817-094C		Rev 1; Use up stock
10.	308-004S	SPKT SHAFT ADJMNT BEARING ASSY		
11.	804-015C	WASHER LOCK SPRING 1/2 PLT		
12.	802-032C	HHCS 1/2-13X3/4 GR5		
13.	800-004C	SNAP RING EXT BASIC 1 3/16		
14.	800-005C	RING FC HOUSING		
15.	822-059C	BEARING 206FF 30MM		
16.	176-006D	CUP DRIVE BRG. HOUSING		
17.	308-006E	CUP DRIVE SPROCKET WELDMNT	(S/N 222276+) (S/N 125951-)	Rev. 1; Rev. 3
17.	308-284H	SEED CUP 43T-19T SPKT WELDMNT	(S/N 125952 <-> 222275)	Rev. 2 not compat. w/Rev. 1
18.	308-010D	FEEDER CUP SHAFT	PS1572	
18.	308-165D	48 FEEDER CUP SHAFT	PS1548	
19.	890-595C	SPROCKET SHORT POWDERED METAL	(S/N 199101+)	Rev. 2
19.	308-021D	NYLON SPROCKET	(S/N 199100-)	Rev 1; Use up stock
20.	308-022D	CUP SLEEVE		
21.	817-073C	SEED CUP WASHER RETAINER		
22.	801-057C	SCR SELF TAP 8X3/8 TYPE25 BT		
23.	817-004C	NYLON WASHER		
24.	817-096C	SEED CUP LEFT HALF		
25.	817-095C	SEED CUP DOOR		
26.	817-097C	SEED CUP RIGHT HALF		
27.	817-071C	SEED CUP ADJUSTMENT HANDLE		
28.	176-031V	CUP DRIVE BEARING HOUSING ASSY		
29.	308-036S	33 T DRIVE SPROCKET ASSEMBLY	(S/N 222276+) (S/N 125951-)	Rev. 1; Rev. 3
29.	308-295S	43T-19T CUP SPROCKET ASSEMBLY	(S/N 125952 <-> 222275 )	Rev. 2 not compat. w/Rev. 1
30.		Not Used on PS1572		
31.		Not Used on PS1572		
32.		Not Used on PS1572		
33.	808-247C	SPKT 40A33 X .630 SQ BORE		

# Feeder Cup Adjustment Handle Assembly

Applies to PS1548, PS1572



12936

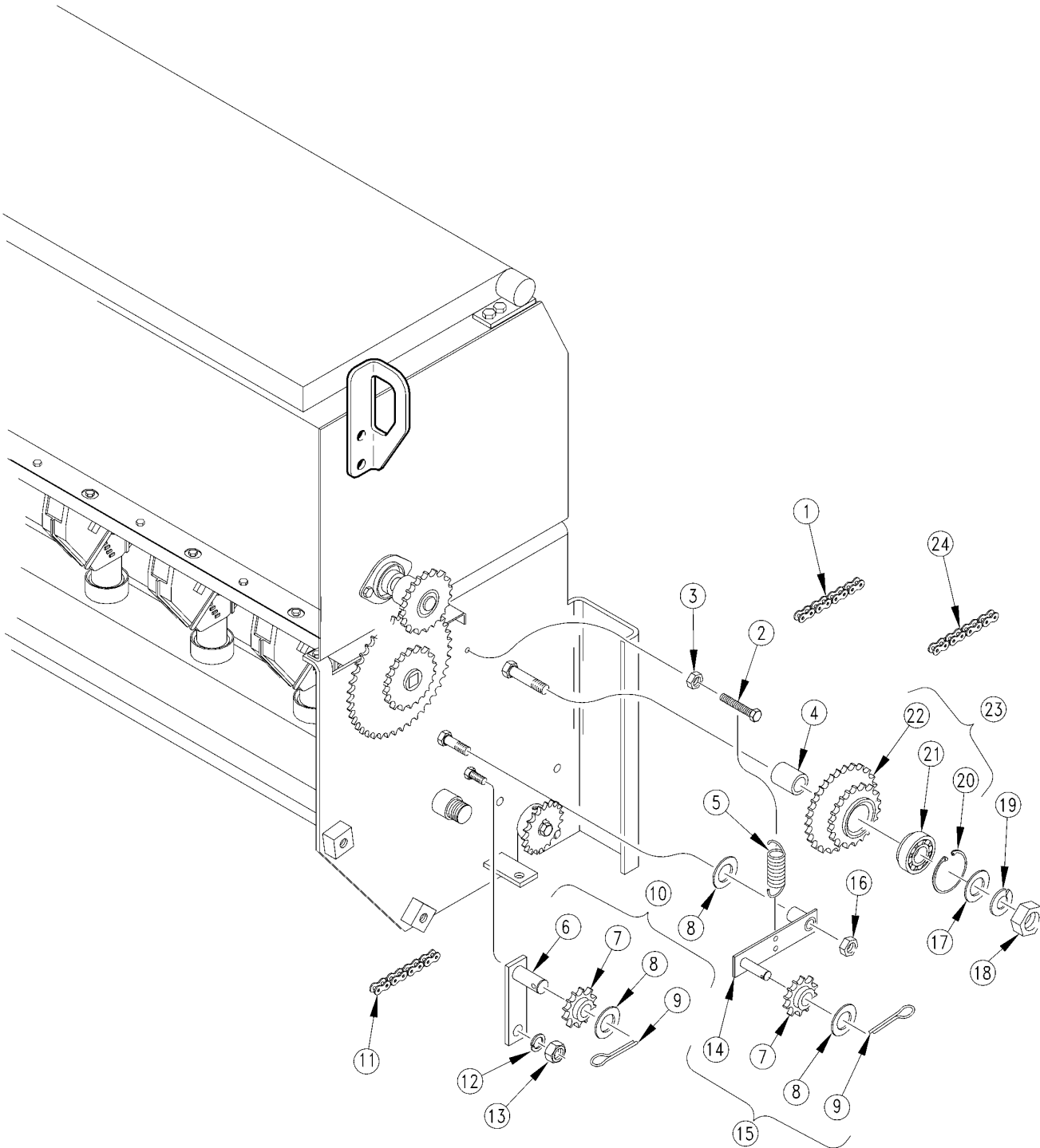


**Feeder Cup Adjustment Handle Assembly****Applies to PS1548, PS1572**

Ref	Part No.	Part Description	Comments	Revision
	dwg12936	Drawing Image Number		
1.	109-069D	ADJUSTMENT HANDLE PIVOT		
2.	308-015D	TUBE PIVOT .630ODX.34IDX.28L		
3.	308-306D	SEED RATE ADJ HANDLE BENT	Rev 2	
3.	313-057D	RPBY 308-306D	Rev 1: Use up stock	
4.	308-334H	OS ADJ LOCK PLT ASY		
4.	308-334H82	OS ADJ LOCK PLT ASY ORANGE		
5.	313-054D	PIVOT MTG ADJ HANDLE		
6.	313-055D	GAUGE MTG PLATE		
6.	313-055D82	GAUGE MTG PLATE ORANGE		
7.	313-056D	SEED GAUGE PLT. MTG		
7.	313-056D82	SEED GAUGE PLT. MTG ORANGE		
8.	801-001C	SCREW RD HD 8-32 X 3/8 BRASS		
9.	802-014C	HHCS 3/8-16X3/4 GR5	Rev 2	
9.	802-017C	HHCS 3/8-16X1 GR5	Rev 1: Use up stock	
10.	802-196C	HFSS 1/4-20X5/8 GR5	Rev 2	
10.	802-004C	HHCS 1/4-20X3/4 GR5	Rev 1: Use up stock	
11.	803-006C	NUT HEX 1/4-20 PLT		
12.	803-008C	NUT HEX 5/16-18 PLT		
13.	803-016C	NUT WING 1/2-13 PLT		
14.	803-035C	NUT HEX 8-32 BRASS		
15.	803-088C	NUT HEX LOCK 1/4-20 FLG		
16.	804-002C	WASHER INTERNAL STAR #8 BRASS		
17.	804-003C	WASHER FLAT #8 BRASS		
18.	804-006C	WASHER LOCK SPRING 1/4 PLT		
19.	804-009C	WASHER LOCK SPRING 5/16 PLT		
20.	804-010C	WASHER FLAT 5/16 USS PLT		
21.	804-012C	WASHER FLAT 3/8 SAE PLT		
22.	804-013C	WASHER LOCK SPRING 3/8 PLT		
23.	804-019C	WASHER FLAT 5/8 USS PLT		
24.	805-016C	PIN COTTER 3/16 X 1 1/4 PLT		
25.	819-086C	NAME PLATE ADJ. GUIDE SHORT		

# Drive Assembly

Applies to PS1548, PS1572



12937

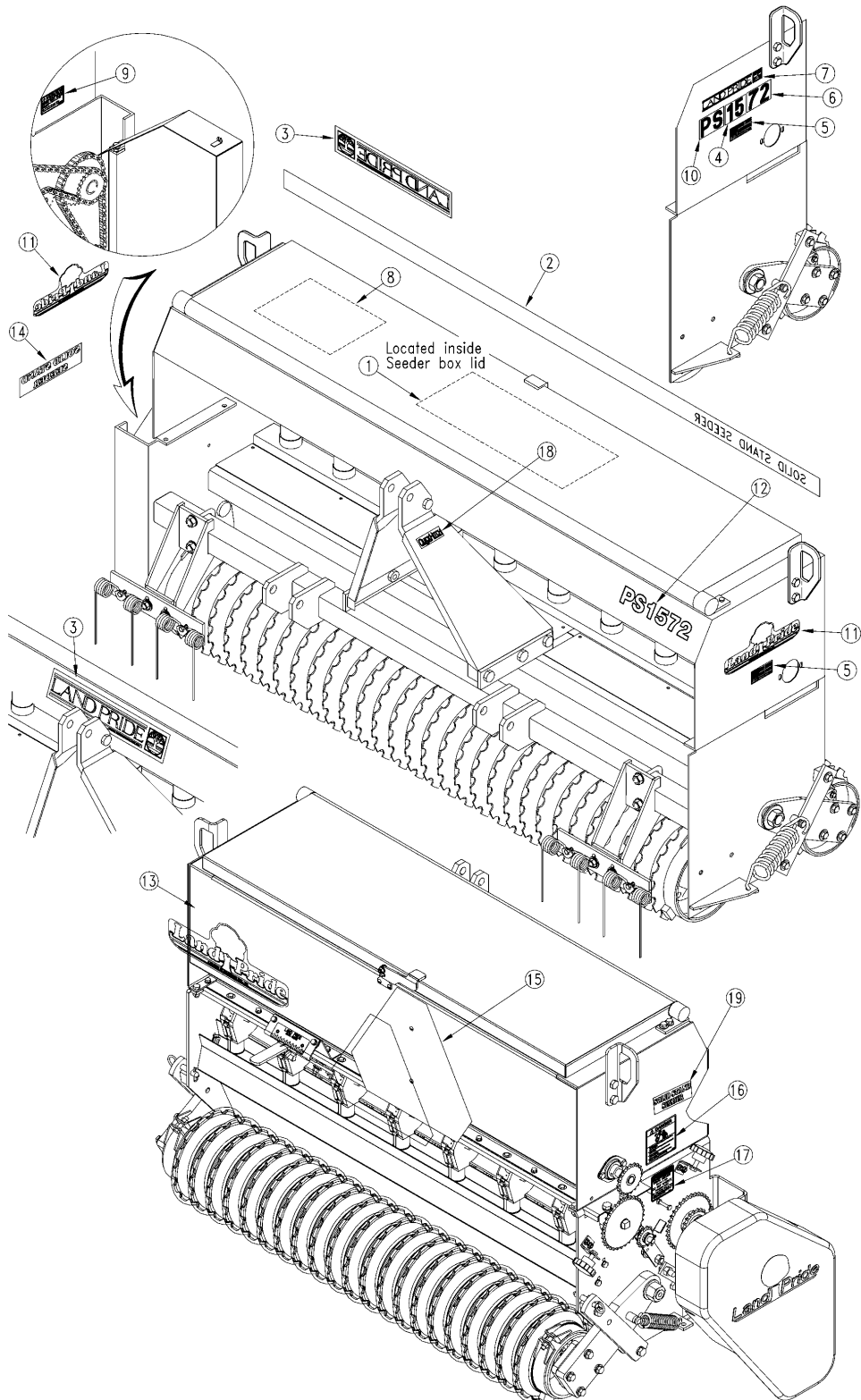
## Drive Assembly

### Applies to PS1548, PS1572

Ref	Part No.	Part Description	Comments	Revision
	dwg12937	Drawing Image Number		
1.	809-116C	CHAIN RL #40 X 80 PITCH W/CON	(S/N 222276+) (S/N 125951-)	Rev. 1; Rev. 3
1.	809-118C	CHAIN RL #40 X 76 PITCHES	(S/N 125952 <-> 222275)	Rev. 2 not compat. w/Rev. 1
2.	802-152C	HHCS 1/4-20X2 GR5		
3.	803-006C	NUT HEX 1/4-20 PLT		
4.	313-029D	SPEED CHANGE SPACER		
5.	807-025C	SPRING IDLER EXTENSION		
6.	313-015H	LOWER IDLER ARM		
7.	817-025C	NO. 40 12T IDLER SPKT.		
8.	804-016C	WASHER FLAT 1/2 SAE PLT		
9.	805-064C	PIN COTTER 7/64 X 1 LONG		
10.	313-021S	LOWER IDLER ARM SUB	Includes one of items 6; 7; 8 and 9.	
11.	809-115C	40 CHAIN 60 PITCH W/CON		
12.	804-015C	WASHER LOCK SPRING 1/2 PLT		
13.	803-020C	NUT HEX 1/2-13 PLT		
14.	308-107H	DRIVE IDLER ARM	(S/N 222276+)	Rev. 1; Rev. 4
14.	308-283H	DRIVE IDLER ARM-SHORT	(S/N 125952 <-> 222275)	Rev. 3 not compat. w/Rev. 2
14.	313-016H	RPBY 308-107H	(S/N 125951-)	Rev. 2
15.	308-128S	LOWER CHAIN TENSIONER ASSY	Includes one of items 7; 8; 9 and 14.	Rev. 2 not compat. w/Rev. 2
15.	313-022S	RPBY 308-128S		Rev. 1
16.	803-019C	NUT LOCK 1/2-13 PLT		
17.	804-021C	WASHER FLAT 5/8 SAE PLT		
18.	803-021C	NUT HEX 5/8-11 PLT		
19.	804-022C	WASHER LOCK SPRING 5/8 PLT		
20.	800-070C	SNAP RING INTERNAL 1.812		
21.	822-067C	BEARING 204 DOUBLE SEAL DD		
22.	308-024H	OVERSEEDER SPEED CHANGE SPRKT	(S/N 222276+) (S/N 125951-)	Rev. 1; Rev. 3
22.	313-144H	SPEED CHANGE 19T-30T WELDMENT	(S/N 125952 <-> 222275)	Rev. 2 not compat. w/Rev. 1
23.	308-041K	SPEED CHG SPROCKET ASSEMBLY	(S/N 222276+) (S/N 125951-)	Rev. 1; Rev. 3
23.	313-145S	SPEED CHANGE 19T-30T ASSEMBLY	(S/N 125952 <-> 222275)	Rev. 2 not compat. w/Rev. 1
24.	809-091C	CHAIN RL #40 X 8 PITCHES	(S/N 222276+) (S/N 125951-)	Rev. 1; Rev. 3
24.	809-154C	CHAIN RL #40 X 6 PITCHES	(S/N 125952 <-> 222275)	Rev. 2 not compat. w/Rev. 1

# Label Placement

Applies to PS1548, PS1572



**Label Placement****Applies to PS1548, PS1572**

Ref	Part No.	Part Description	Comments	Revision
	dwg12938	Drawing Image Number		
1.	818-869C	DECAL OS/PS1572 SEED RATE	(S/N 222276+) PS1572	Rev. 3 not compat. w/Rev. 2
1.	818-480C	DECAL OS/PS1572 SEED RATE	(S/N 125952 <-> 222275)	Rev. 2 not compat. w/Rev. 1
1.	818-152C	DECAL OVERSEEDER SEED RATES	(S/N 125951-)	Rev. 1
1.	818-867C	DECAL OS1548 SEED RATE	(S/N 302167+) PS1548	
2.	818-115C	DECAL SEEDER	(S/N 223365-)	
3.	818-162C	LP LOGO LARGE GREEN	(S/N 223365-)	
4.	818-084C	DECAL 15 SERIES LP - BLACK	(S/N 223365-)	
5.	818-190C	DECAL FLAG		
6.	818-092C	DECAL 72 LP - BLACK	(S/N 223365-)	
7.	818-164C	LP LOGO SMALL GREEN	(S/N 223365-)	
8.	818-483C	DECAL OS & PS1572 RATE ADJUST	(S/N 125952 <-> 222275)	Rev. 2 not compat. w/Rev. 1
8.	818-246C	DECAL RATE ADJ. - SEEDER	(S/N 222276+) (S/N 125951-)	Rev. 1
9.	818-205C	DECAL WARNING MOVING PARTS HAZ		
10.	818-740C	DECAL PS LAND PRIDE BLACK	(S/N 223365-)	
11.	818-890C	DECAL LP W/TREE 10" - 2 COLOR	(S/N 223366+) Beige Unit	
11.	838-963C	DECAL LP 10" W/TREE BROWN/GOLD	Orange Unit	
12.	818-969C	DECAL PS1572-BROWN	(S/N 223366+) Beige Unit	
12.	848-202C	DECAL PS1572-GOLD	Orange Unit	
12.	838-251C	DECAL PS1548		
13.	818-893C	DECAL LP W/TREE 16" - 2 COLOR	(S/N 223366+) Beige Unit	
13.	838-964C	DECAL LP 16" W/TREE BROWN/GOLD	Orange Unit	
14.	838-045C	DECAL SOL.STAND SEEDER-BROWN	(S/N 223366+)	
15.	818-055C	DECAL SLOW MOVING-GALV. BACKED	(S/N 302167+)	
16.	838-111C	DECAL DANGER MOVING PARTS	(S/N 302167+)	
17.	818-543C	DECAL DANGER PD GUARD MISS SML	(S/N 302167+)	
18.	838-517C	DECAL QUICK HITCH SYSTEM		
19.	838-045C	DECAL SOL.STAND SEEDER-BROWN	Beige Unit	
19.	848-292C	DECAL SOLID STAND SEEDER-GOLD	Orange Unit	



# Part Number Index

The Part Number Index is a numeric index of all part numbers included in this manual. The index shows what page(s) the part is used on.

Part Number	Page	Part Number	Page	Part Number	Page	Part Number	Page
109-069D	25	313-005H	11	801-001C	25	804-021C	27
123-004D	11	313-006H	11	801-018C	15, 18, 21	804-022C	7, 27
152-312D	11	313-008H	11	801-021C	15, 17, 21	804-023C	7, 9
176-006D	23	313-009H	11	801-024C	15, 17, 21	804-029C	11
176-031V	23	313-010H	7, 9	801-035C	23	804-031C	23
179-004H	17	313-010H82	9	801-045C	15	804-036C	15, 17, 21
179-005H	17	313-011H	7, 9	801-057C	23	804-041C	11
179-021D	17	313-011H82	9	802-004C	7, 23, 25	804-052C	23
179-022D	17	313-014H	11	802-005C	9	804-056C	15, 17, 21
179-023D	17	313-015D	11	802-007C	9, 15, 17, 21	805-010C	11
179-025D	15, 18, 21	313-015H	27	802-014C	25	805-015C	7, 9
179-030D	15, 17	313-016H	27	802-017C	7, 15, 17, 21, 25	805-016C	25
182-022D	23	313-018D	11	802-022C	11, 13	805-064C	27
202-002H	15, 17, 21	313-020D	7	802-032C	11, 23	806-010C	13
308-002H	15, 17	313-021D	11	802-034C	7, 9, 11	807-025C	27
308-002H82	15	313-021S	27	802-038C	11	807-044C	13
308-003H	15, 17, 21	313-022D	11	802-039C	11	807-050C	11
308-004S	23	313-022S	27	802-067C	9	808-052C	11
308-006E	23	313-027H	13	802-068C	7, 9	808-125C	11
308-010D	23	313-028A	13	802-078C	23	808-159C	11
308-015D	25	313-029D	27	802-082C	11	808-247C	23
308-021D	23	313-035D	11	802-092C	17	809-091C	27
308-022D	23	313-050D	11	802-128C	11	809-115C	27
308-024H	27	313-054D	25	802-143C	11	809-116C	27
308-036S	23	313-055D	25	802-152C	27	809-118C	27
308-041K	27	313-055D82	25	802-153C	7	809-154C	27
308-081H	17	313-056D	25	802-155C	13	812-056C	11
308-085H	17, 21	313-056D82	25	802-159C	17	812-133C	11
308-107H	27	313-057D	25	802-167C	15, 17, 21	816-004C	7
308-110S	7, 9	313-060D	13	802-196C	9, 23, 25	816-112C	17
308-117D	15, 17, 21	313-063S	11	802-240C	11	816-341C	9
308-117D82	15, 21	313-144H	27	802-258C	15, 17, 21	816-504C	9
308-128S	27	313-145S	27	802-315C	11	817-004C	23
308-165D	23	313-168D	11	802-411C	15	817-016C	23
308-175D	17, 21	313-182H	9	803-001C	15, 17, 21	817-025C	27
308-180D	13	313-186D	15	803-006C	23, 25, 27	817-033C	15, 17, 21
308-193D	15, 17, 21	313-209H	17	803-007C	15, 17, 21	817-071C	23
308-193D82	15, 21	313-225H	9	803-008C	15, 17, 21, 25	817-073C	23
308-226D	23	313-230H	9	803-013C	7	817-094C	23
308-227D	23	313-233H	9	803-014C	11, 13, 15, 17, 21	817-095C	23
308-227D82	23	313-235H	11	803-015C	11	817-096C	23
308-234D	23	313-238H	11	803-016C	25	817-097C	23
308-253D	23	313-269H	9	803-019C	11, 27	817-259C	9
308-283H	27	313-269H82	9	803-020C	7, 9, 11, 13, 15, 17, 21, 27	817-443C	21
308-284H	23	313-291H	9	803-021C	7, 27	818-055C	15, 18, 21, 29
308-286H	17	313-292H	9	803-027C	7, 9	818-084C	29
308-295S	23	313-292H82	9	803-035C	25	818-092C	29
308-306D	25	313-329H	21	803-038C	11	818-115C	29
308-306S	17	313-329H82	21	803-084C	15, 17, 21	818-152C	29
308-332H	17	313-330H	21	803-088C	15, 18, 21, 23, 25	818-162C	29
308-333H	17	313-330H82	21	803-194C	9, 23	818-164C	29
308-334H	25	313-331H	21	803-199C	17	818-190C	29
308-334H82	25	313-332H	21	803-209C	15	818-205C	29
308-360D	11	313-379H	15	803-255C	9	818-246C	29
308-366H	15	313-379H82	15	804-002C	25	818-480C	29
308-366H82	15	313-381S	15	804-003C	25	818-483C	29
308-369D	17	313-382S	15	804-004C	15, 17, 21	818-543C	29
308-374D	17	313-542D	21	804-006C	7, 25	818-740C	29
308-392D	15, 17, 21	313-704D	15	804-007C	9, 15, 18, 21	818-867C	29
308-393D	15, 17, 21	313-705D	15	804-009C	9, 15, 17, 21, 25	818-869C	29
308-394D	15, 17, 21	313-720D	15	804-010C	17, 21, 25	818-890C	29
308-395D	17	313-721D	15	804-012C	13, 15, 18, 25	818-893C	29
308-399D	11	800-001C	11	804-013C	11, 13, 15, 17, 21, 25	818-969C	29
308-400D	7, 9	800-004C	23	804-014C	11	819-086C	25
308-404D	11	800-005C	23	804-015C	7, 9, 11, 13, 15, 17, 21, 23, 27	822-004C	11
311-093D	7	800-048C	15, 18, 21	804-016C	27	822-040C	15, 17, 21
313-001H	17	800-056C	17	804-019C	25	822-041C	15, 17, 21
313-003D	7	800-070C	27			822-059C	23
313-003H	7	800-110C	17			822-067C	27
313-004H	7	800-153C	11			822-085C	11



## Part Number Index (continued)

---

<u>Part Number</u>	<u>Page</u>
838-045C .....	29
838-111C .....	29
838-251C .....	29
838-517C .....	29
838-963C .....	29
838-964C .....	29
848-202C .....	29
848-292C .....	29
890-350C .....	23
890-595C .....	23
dwg10665 .....	7
dwg12430 .....	13
dwg12869 .....	23
dwg12934 .....	17
dwg12935 .....	11
dwg12936 .....	25
dwg12937 .....	27
dwg12938 .....	29
dwg18896 .....	9
dwg22059 .....	21
dwg24918 .....	15



Great Plains Manufacturing, Inc.

Corporate Office: P.O. Box 5060  
Salina, Kansas 67402-5060 USA

[www.landpride.com](http://www.landpride.com)

---