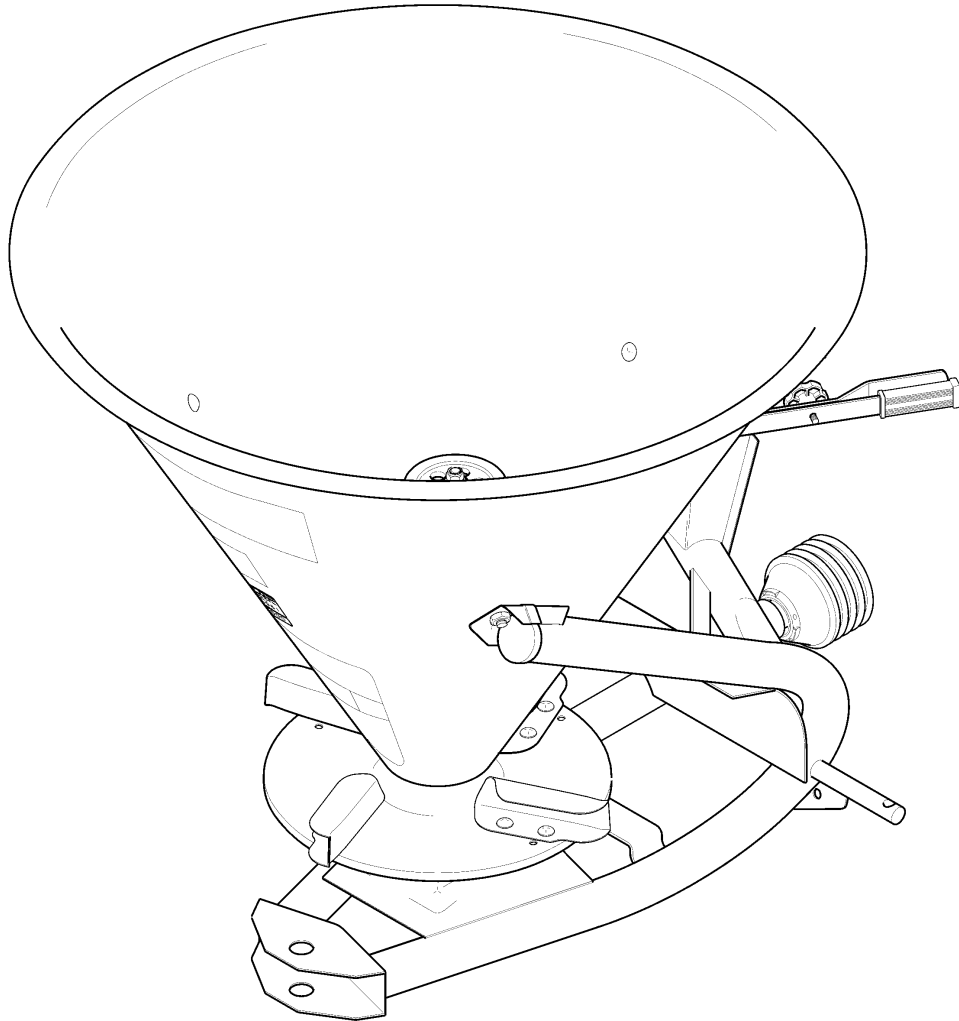


# Fertilizer Spreader

---

**FS500, FS700 & FS1000**



15594

## **309-500P** **Parts Manual**



Read the Operator's manual entirely. When you see this symbol, the subsequent instructions and warnings are serious - follow without exception. Your life and the lives of others depend on it!

© Copyright 2008 Printed 05/02/08

Cover photo may show optional equipment not supplied with standard unit.





# Table of Contents

---

<b>Section 1: Introduction.....</b>	<b>4</b>
Using This Manual.....	4
Manual Replacement Information.....	4
Manual Revisions.....	4
Touch-up Paint.....	4
Hardware Legend.....	5
Replacement Hardware.....	5
Serial Numbers.....	5
Part Number Service Coding.....	5
<b>Section 2: Complete Assembly.....</b>	<b>6</b>
Complete Assembly S/N 445606-.....	6
Complete Assembly S/N 445607+.....	8
<b>Section 3: Drivelines.....</b>	<b>10</b>
Driveline (311.001) Eurocardan (S/N 279499-).....	10
Driveline (311.001) Eurocardan (S/N 279500+).....	12
<b>Section 4: Gearbox.....</b>	<b>14</b>
Gearbox (315.010).....	14
Gearbox (322.002).....	16
<b>Section 5: Labels.....</b>	<b>18</b>
Label Placement.....	18
<b>Section 6: Options.....</b>	<b>20</b>
Agitator.....	20
Hopper Cover.....	22
<b>Part Number Index.....</b>	<b>24</b>

© Copyright 2008. All rights reserved.

Land Pride provides this publication “as is” without warranty of any kind, either expressed or implied. While every precaution has been taken in the preparation of this manual, Land Pride assumes no responsibility for errors or omissions. Neither is any liability assumed for damages resulting from the use of the information contained herein. Land Pride reserves the right to revise and improve its products as it sees fit. This publication describes the state of this product at the time of its publication, and may not reflect the product in the future. The illustrations in this manual are not intended for safe and proper assembly or disassembly of equipment. The illustrations are intended for ordering parts only.

Land Pride is registered trademark.

All other brands and product names are trademarks or registered trademarks of their respective holders.

*Printed in the United States of America.*



## Alphabetized Table of Contents

---

<b>A</b>	
Agitator.....	20
<b>C</b>	
Complete Assembly S/N 445606-.....	6
Complete Assembly S/N 445607+.....	8
<b>D</b>	
Driveline (311.001) Eurocardan (S/N 279499-).....	10
Driveline (311.001) Eurocardan (S/N 279500+).....	12
<b>G</b>	
Gearbox (315.010).....	14
Gearbox (322.002).....	16
<b>H</b>	
Hopper Cover.....	22
<b>L</b>	
Label Placement.....	18

# General Information

## Using This Manual

This manual is divided into sections. The first section contains General Information. The remaining sections divide the machine into segments (i.e. Frames, Drives, Hydraulics, etc.) which illustrate and list all parts. A Parts Number Index is located at the back of the book.

The Land Pride parts in this manual are specially designed for this machine and should be replaced with Land Pride parts only.

The information in this manual is current at time of printing. Some parts may change to assure top performance.

Right-hand and left-hand as used in this manual are determined by facing the direction the machine will travel while in use.

Below is an example of two facing pages from a parts manual. Familiarize yourself with the type of information contained on these pages.

## Manual Replacement Information

Replacement manuals are available. Refer to our website at [www.landpride.com](http://www.landpride.com), the Land Pride Support Center CD or e-mail us at [lit@landpride.com](mailto:lit@landpride.com) for additional information. Our website continues to provide the most up-to-date manuals available.

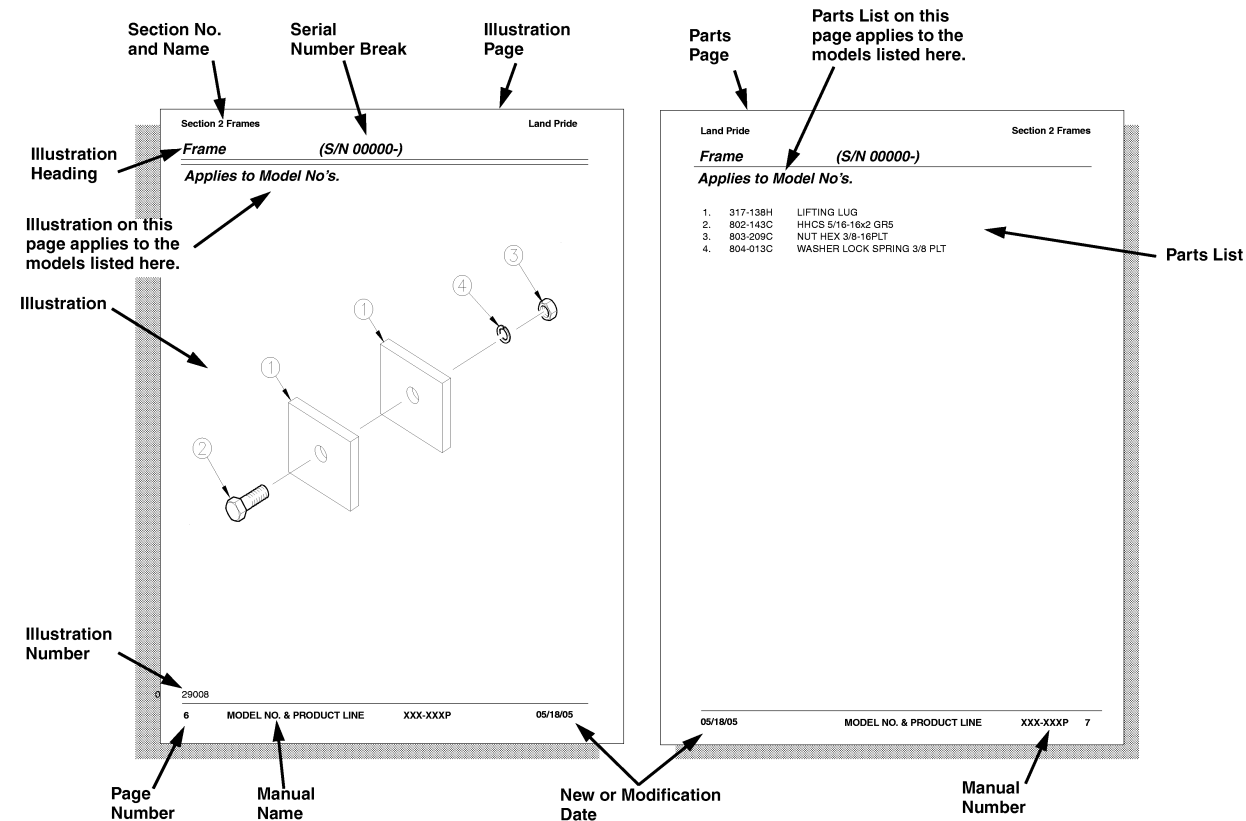
## Touch-up Paint

Repaint parts where paint is worn or scratched to prevent rust. Aerosol cans and touch-up bottles with brush applicator are available through your local dealer. Land Pride color descriptions and part numbers are listed below. Also available are quart and gallon size paints. Add QT or GL to end of the Aerosol P/N.

Color	Product <sup>1</sup>	Aerosol	Touch-Up
Gloss Black	LP	821-032C	821-032CTU
Medium Gloss Black	UV	821-053C	821-053CTU
Beige	LP	821-011C	821-011CTU
Green	SLP	821-058C	821-058CTU
Orange	SLP	821-066C	821-066CTU
Red	SLP/UV	821-054C	821-054CTU
Blue	SLP/UV	821-067C	821-067CTU
Dark Green Sparkle	UV	821-055C	821-055CTU
Gondo Forest Green	UV	821-057C	821-057CTU
Brite Yellow <sup>2</sup>	UV	821-056C	821-056CTU
Gondo Yellow <sup>3</sup>	UV	821-059C	821-059CTU

Notes:

- 1 LP = All Land Pride Products except Utility Vehicles  
SLP = Select Land Pride Products that are available in optional Green, Orange, Red, & Blue colors.  
UV = Utility Vehicles
- 2 Used on Trekers and (Runabouts with S/N 407628-)
- 3 Used on Gondos and (Runabouts with S/N 407629+)



## General Information

### Hardware Legend

<b>AR</b>	As Required
<b>BLADE</b>	Blade Bolt
<b>C</b>	Cap Screw
<b>CP</b>	Cotter Pin
<b>CPHSSS</b>	Cup Point Hex Socket Set Screw
<b>CPSHSS</b>	Cup Point Square Head Set Screw
<b>CPSQHSS</b>	Cup Point Square Head Set Screw
<b>CRFCHMS3</b>	Cross Recess Flat Countersunk Head Machine Screw
<b>CRPHMS</b>	Cross Recess Pan Head Machine Screw
<b>CRPHTF</b>	Cross Recess Pan Head Thread Forming
<b>CRRHMS</b>	Cross Recess Round Head Machine Screw
<b>CRTHMS</b>	Cross Recess Truss Head Machine Screw
<b>CSNB</b>	Countersunk Square Neck Bolt
<b>FHMS</b>	Flat Head Machine Screw
<b>FTC</b>	Full Thread Cap Screw
<b>H</b>	Hex Nut
<b>HCLN</b>	Hex Center Lock Nut
<b>HFLCS</b>	Hex Flange Lock Cap Screw
<b>HFS</b>	Hex Flange Screw
<b>HFSLN</b>	Hex Flange Serrated Lock Nut
<b>HFSS</b>	Hex Flange Serrated Screw
<b>HHCS</b>	Hex Head Cap Screw or Metric Bolt
<b>HSBHCS</b>	Hex Socket Button Head Cap Screw
<b>HSFCHCS</b>	Hex Socket Flat Countersunk Head Cap Screw
<b>HSHCS</b>	Hex Socket Head Cap Screw
<b>HSSS</b>	Hex Socket Head Screw
<b>HTLN</b>	Hex Top Lock Nut
<b>HWHCS</b>	Hex Washer Head Cap Screw

<b>HWHMS</b>	Hex Washer Head Machine Screw
<b>HXBHCS</b>	Hex Socket Button Head Cap Screw
<b>J</b>	Hex Jam Nut
<b>JIC</b>	37 Degree Tapered Thread
<b>L</b>	Helical Spring Lock Washer
<b>LUG</b>	Lug Bolt
<b>NFC</b>	National Fine Cap Screw
<b>NPSM</b>	National Pipe Straight Mechanical
<b>NPTF</b>	National Pipe Taper Fuel
<b>P</b>	Wide Plain Washer
<b>PHMS</b>	Pan Head Machine Screw
<b>PLW</b>	Plow Bolt
<b>RHMS</b>	Round Head Machine Screw
<b>RHSNB</b>	Round Head Square Neck Bolt
<b>SCREW LEVELING</b>	Leveling Screw
<b>SCREW THUMB</b>	Thumb Screw
<b>SCREW WELD</b>	Weld Screw
<b>SFCHMS</b>	Slotted Flat Countersunk Head Machine Screw
<b>SFHMS</b>	Slotted Fillister Head Machine Screw
<b>SP</b>	Special
<b>SP SCREW</b>	Special Screw
<b>SQHSS</b>	Square Head Set Screw
<b>SRHMS</b>	Slotted Round Head Machine Screw
<b>SSS</b>	Socket Set Screw
<b>STCS</b>	Self Tapping Cap Screw
<b>STHMS</b>	Slotted Truss Head Machine Screw
<b>WHEEL</b>	Wheel Studs and Hub Long Bolts
<b>WING</b>	Wing Bolt

### Replacement Hardware

The **Hardware Legend** above lists hardware abbreviations used in the parts list. All bolts and nuts are Grade 5 unless otherwise noted. The use of improper grades of hardware can result in personal injury, damage to equipment, or loss of property.

### Colored Replacement Parts

Land Pride offers replacement parts in factory standard colors and also on select models in Green, Orange, Red and Blue. Because of the variety of colors available, special attention must be given to the part number to prevent ordering the wrong replacement part.

A suffix number corresponding to one of the colors below must be added at the end of Land Pride's part number when ordering a replacement part with that color.

**81** . . . . . **Green**      **83** . . . . . **Red**  
**82** . . . . . **Orange**    **84** . . . . . **Blue**

For example, if you are ordering a replacement part with part number 555-555C and the part you need is red, then add the suffix 83 to the end of the number to make the part number read 555-555C83. Parts ordered without a suffix number will be supplied in factory standard colors.

### Black Replacement Parts

Some parts are factory standard black and some must be special ordered black. If your part is special ordered black, a second part number with the additional suffix number 85 on the end will be available. In this situation you must order that part with the suffix number for it to be black. Parts that are factory standard black will not have the suffix number.

### Part Number Service Coding

Within the parts list some part numbers are coded for revisions and interchangeability. See notations in revision column.

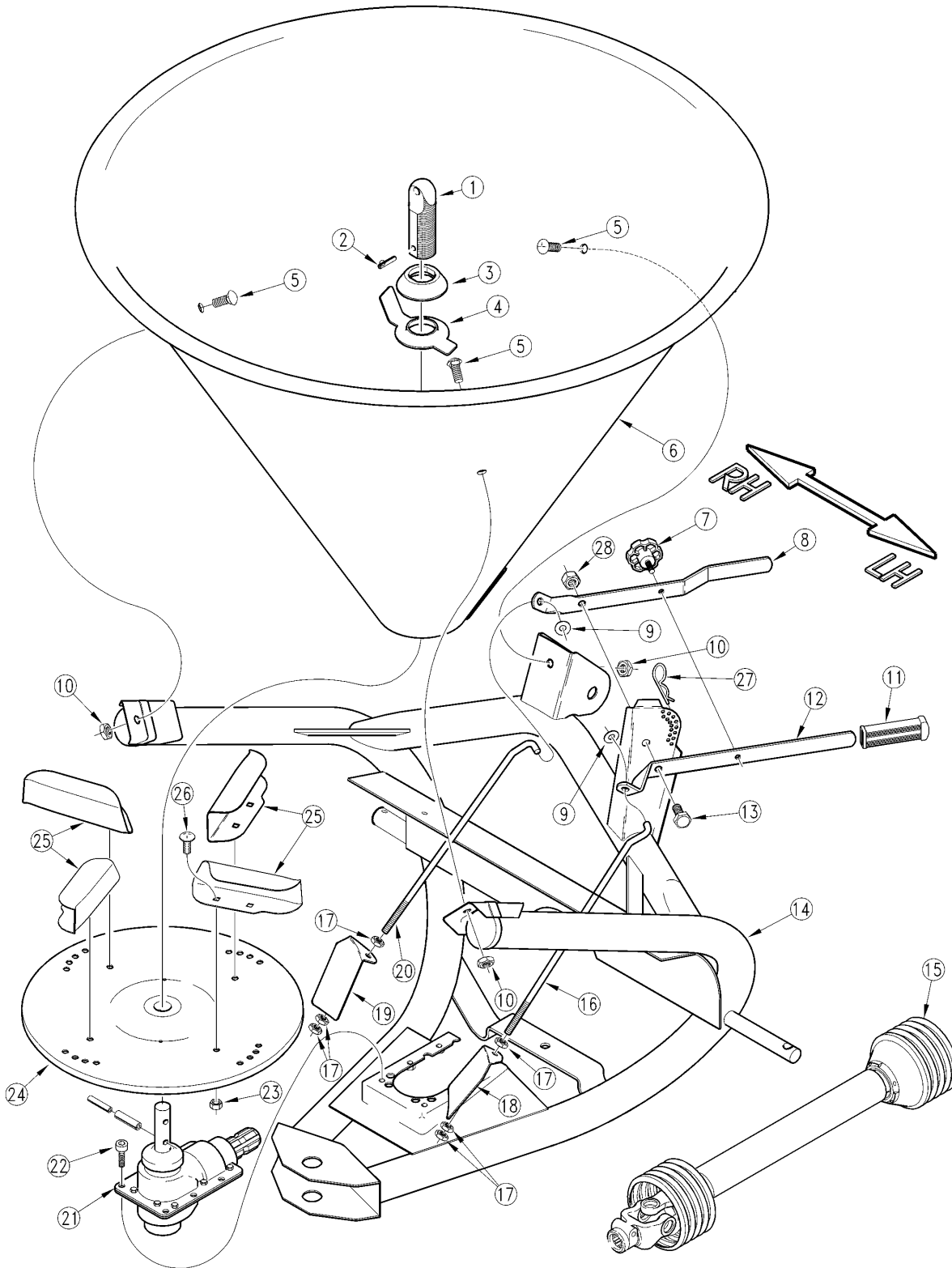
### Serial Numbers

Always use the serial and model number when ordering parts. Refer to the Operator's Manual for serial number plate location.

- (S/N 20001+)                      Includes serial numbers 20001 and above (to the latest number)
- (S/N 10001 to 20000)           Includes serial numbers between and including 10001 and 20000
- (S/N 10000-)                      Includes serial numbers 10000 and below (to the earliest number)

**Complete Assembly S/N 445606-**

Applies to FS1000, FS500, FS700



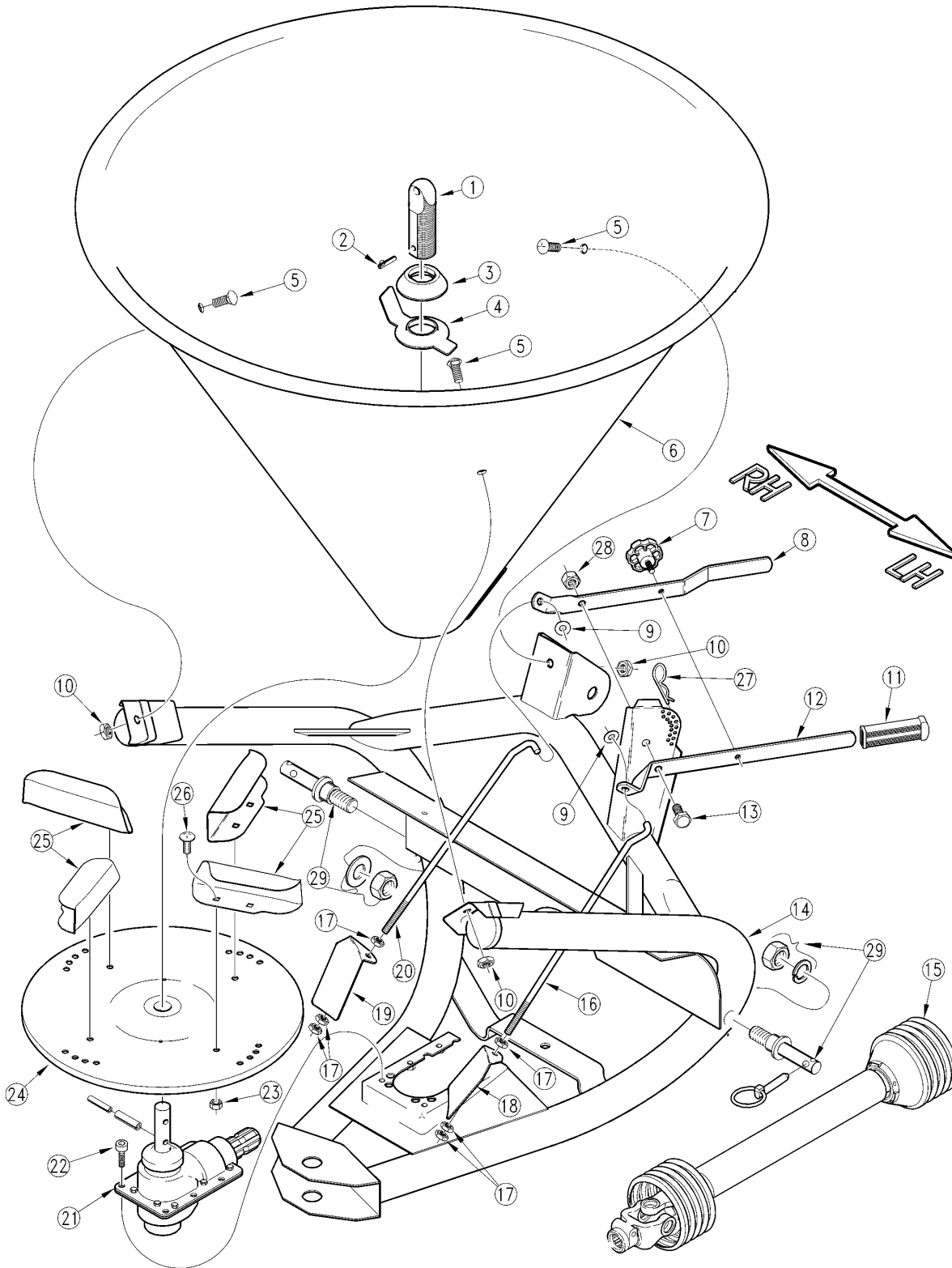
23945

**Complete Assembly S/N 445606-****Applies to FS1000, FS500, FS700**

Ref	Part No.	Part Description	Comments	Revision
	dwg13608	Drawing Image Number		
1.	330.001	COSMO ENTRAINER		
2.	305.001	COSMO SPRING PIN 8X40		Rev. 2 not compat. w/Rev. 1
2.	305.002	COSMO SPLIT PIN		Rev. 1
3.	304.013	COSMO RING RUBBER		Rev. 2 not compat. w/Rev. 1
3.	303.008	COSMO RUBBER RING		Rev. 1
4.	619.002	COSMO LOWER AGITATOR		
5.	300.023	COSMO SCRW RND HD 10X20UNI5731		
6.	609.008	COSMO HOPPER 500		Rev 3
6.	609.011	COSMO HOPPER 700		Rev. 2
6.	609.013	COSMO HOPPER 1000		Rev. 1
7.	302.003	COSMO LEVER LOCK KNOB		
8.	604.001	COSMO RIGHT LEVER		
9.	303.009	COSMO WSHR FLT 10.5X21 UNI6592		
10.	301.010	COSMO NUT HEX M10 UNI 5588		Rev. 2 not compat. w/Rev. 1
10.	301.005	COSMO NUT HEX		Rev. 1
11.	304.008	COSMO RUBBER GRIP		
12.	604.002	COSMO LEFT LEVER		
13.	300.024	COSMO SCRW HX HD 12X35 UNI5739		
14.	613.003	COSMO FRAME "PIN" STYLE	(S/N 445607+ )	Rev. 2
14.	613.001	RPBY 613.003	(S/N 445606- )	Rev 1; Use up stock
15.	311.001	COSMO DRIVELINE		
16.	602.002	COSMO LEFT TIE ROD		
17.	301.014	COSMO NUT M10 UNI 5589		Rev. 2 not compat. w/Rev. 1
17.	301.010	COSMO NUT HEX M10 UNI 5588		Rev. 1
18.	605.006	COSMO LEFT SHUTTER		Rev. 2
18.	605.004	REP BY 605.006		Rev. 1
19.	605.005	COSMO RIGHT SHUTTER		Rev. 2
19.	605.003	REP BY 605.005		Rev. 1
20.	602.001	COSMO RIGHT TIE ROD		
21.	322.002	COSMO G-BOX		Rev. 2
21.	315.010	REP BY 322.002		Rev. 1
22.	300.014	COSMO HX SCKT HD CP SCRW 8X16		Rev. 2 not compat. w/Rev. 1
22.	300.029	COSMO HX SOCKET HEAD CAP SCREW		Rev. 1
23.	301.012	COSMO NUT HEX M8 UNI 5588		
24.	610.009	COSMO SPRDR DSK W/STNLS STL VN		Rev. 2
24.	610.002	REP BY 610.009		Rev. 1
25.	601.002	COSMO STAINLESS STL DIST. VANE		Rev. 2
25.	601.001	REP BY 601.002		Rev. 1
26.	300.030	COSMO RND HD SCRW 8X16 UNI5731		Rev. 2 not compat. w/Rev. 1
26.	300.020	COSMO BOLT TTQST 8X16		Rev. 1
27.	307.001	COSMO PIN HAIR COTTER		
28.	301.008	COSMO SELF LOCK NUT M12		

# Complete Assembly S/N 445607+

Applies to FS1000, FS500, FS700



13608

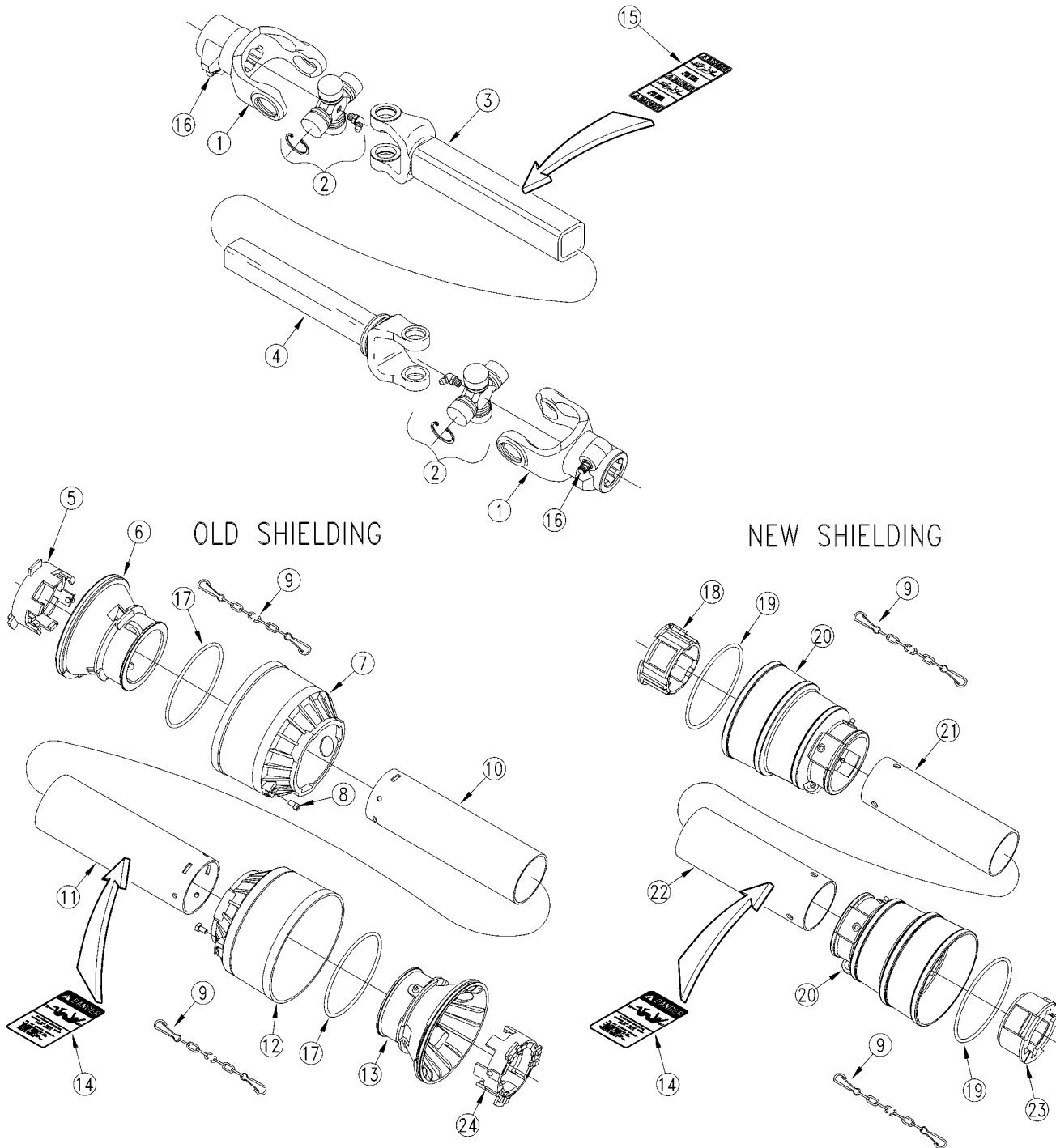


**Complete Assembly S/N 445607+****Applies to FS1000, FS500, FS700**

Ref	Part No.	Part Description	Comments	Revision
	dwg13608	Drawing Image Number		
1.	330.001	COSMO ENTRAINER		
2.	305.001	COSMO SPRING PIN 8X40		Rev. 2 not compat. w/Rev. 1
2.	305.002	COSMO SPLIT PIN		Rev. 1
3.	304.013	COSMO RING RUBBER		Rev. 2 not compat. w/Rev. 1
3.	303.008	COSMO RUBBER RING		Rev. 1
4.	619.002	COSMO LOWER AGITATOR		
5.	300.023	COSMO SCRW RND HD 10X20UNI5731		
6.	609.008	COSMO HOPPER 500		Rev 3
6.	609.011	COSMO HOPPER 700		Rev. 2
6.	609.013	COSMO HOPPER 1000		
7.	302.003	COSMO LEVER LOCK KNOB		
8.	604.001	COSMO RIGHT LEVER		
9.	303.009	COSMO WSHR FLT 10.5X21 UNI6592		
10.	301.010	COSMO NUT HEX M10 UNI 5588		Rev. 2 not compat. w/Rev. 1
10.	301.005	COSMO NUT HEX		Rev. 1
11.	304.008	COSMO RUBBER GRIP		
12.	604.002	COSMO LEFT LEVER		
13.	300.024	COSMO SCRW HX HD 12X35 UNI5739		
14.	613.003	COSMO FRAME "PIN" STYLE	(S/N 445607+ )	Rev. 2
14.	613.001	RPBY 613.003	(S/N 445606- )	Rev 1; Use up stock
15.	311.001	COSMO DRIVELINE		
16.	602.002	COSMO LEFT TIE ROD		
17.	301.014	COSMO NUT M10 UNI 5589		Rev. 2 not compat. w/Rev. 1
17.	301.010	COSMO NUT HEX M10 UNI 5588		Rev. 1
18.	605.006	COSMO LEFT SHUTTER		Rev. 2
18.	605.004	REP BY 605.006		Rev. 1
19.	605.005	COSMO RIGHT SHUTTER		Rev. 2
19.	605.003	REP BY 605.005		Rev. 1
20.	602.001	COSMO RIGHT TIE ROD		
21.	322.002	COSMO G-BOX		Rev. 2
21.	315.010	REP BY 322.002		Rev. 1
22.	300.014	COSMO HX SCKT HD CP SCRW 8X16		Rev. 2 not compat. w/Rev. 1
22.	300.029	COSMO HX SOCKET HEAD CAP SCREW		Rev. 1
23.	301.012	COSMO NUT HEX M8 UNI 5588		
24.	610.009	COSMO SPRDR DSK W/STNLS STL VN		Rev. 2
24.	610.002	REP BY 610.009		Rev. 1
25.	601.002	COSMO STAINLESS STL DIST. VANE		Rev. 2
25.	601.001	REP BY 601.002		Rev. 1
26.	300.030	COSMO RND HD SCRW 8X16 UNI5731		Rev. 2 not compat. w/Rev. 1
26.	300.020	COSMO BOLT TTQST 8X16		Rev. 1
27.	307.001	COSMO PIN HAIR COTTER		
28.	301.008	COSMO SELF LOCK NUT M12		
29.	633.001	COSMO PIN LOWER LINK	(S/N 445607+ )	

**Driveline (311.001) Eurocardan (S/N 279499-)**

Applies to FS1000, FS500, FS700



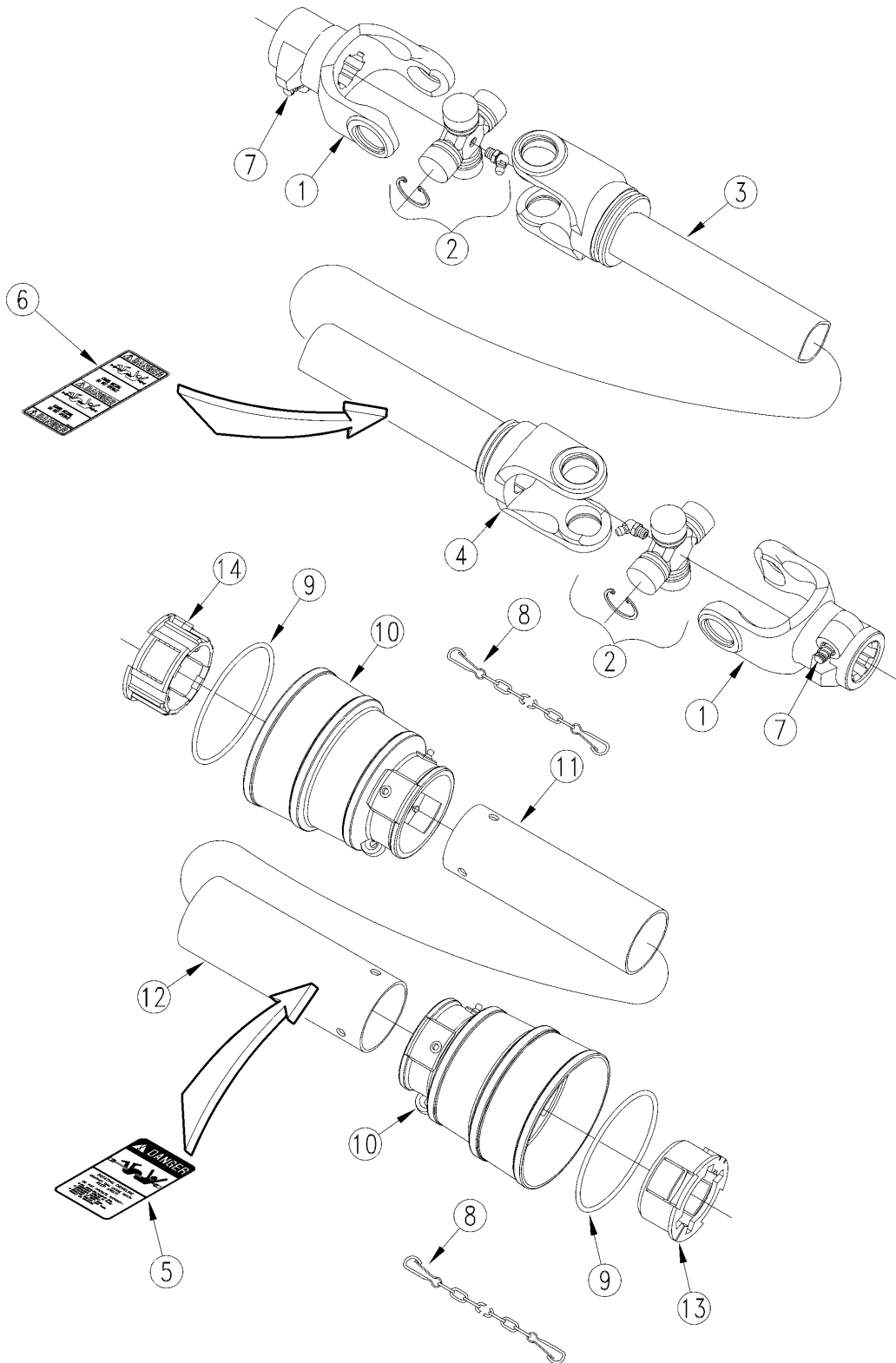
18110

***Driveline (311.001) Eurocardan (S/N 279499-)*****Applies to FS1000, FS500, FS700**

<b>Ref</b>	<b>Part No.</b>	<b>Part Description</b>	<b>Comments</b>	<b>Revision</b>
	dwg18110	Drawing Image Number		
	311.001	COSMO DRIVELINE		
1.	1021010	EC YOKE ASSEMBLY (TRACT. END)		
2.	1001020	EC CROSS ASSEMBLY (U JOINT)		
3.	1981032	RPBY 311.001		
4.	1991034	RPBY 311.001		
5.	1781210	EC TUBE BEARING		
6.	1884201	EC OUTER TUBE RIGID CONE		
7.	1784205	RPBY 1884204		
8.	1784212	EC PIN STOP ROTATION		
9.	044321	DRIVELINE SHIELD SAFETY CHAIN		
10.	1773030	RPBY 1873030		
11.	1872030	EC INNER TUBE (1872050) 300MM		
12.	1884202	EC INNER TUBE RIGID CONE		
13.	1781211	EC TUBE BEARING		
14.	818-552C	DECAL DANGER PTO DRIVELINE		
15.	818-540C	DECAL DANGER GUARD MISS PTO		
16.	1581038	EC COMPLETE PUSH-PIN KIT		
17.	1213233	EC STIFFENING RING		
18.	1781004	EC TUBE BEARING (INNER)		
19.	1211233	EC STIFFENING RING		
20.	1781003	EC STANDARD SOFT CONE		
21.	1871031	EC INNER TUBE		
22.	1770031	EC OUTER TUBE		
23.	1781005	EC TUBE BEARING (OUTER)		
24.	1781211	EC TUBE BEARING		

**Driveline (311.001) Eurocardan (S/N 279500+)**

Applies to FS1000, FS500, FS700

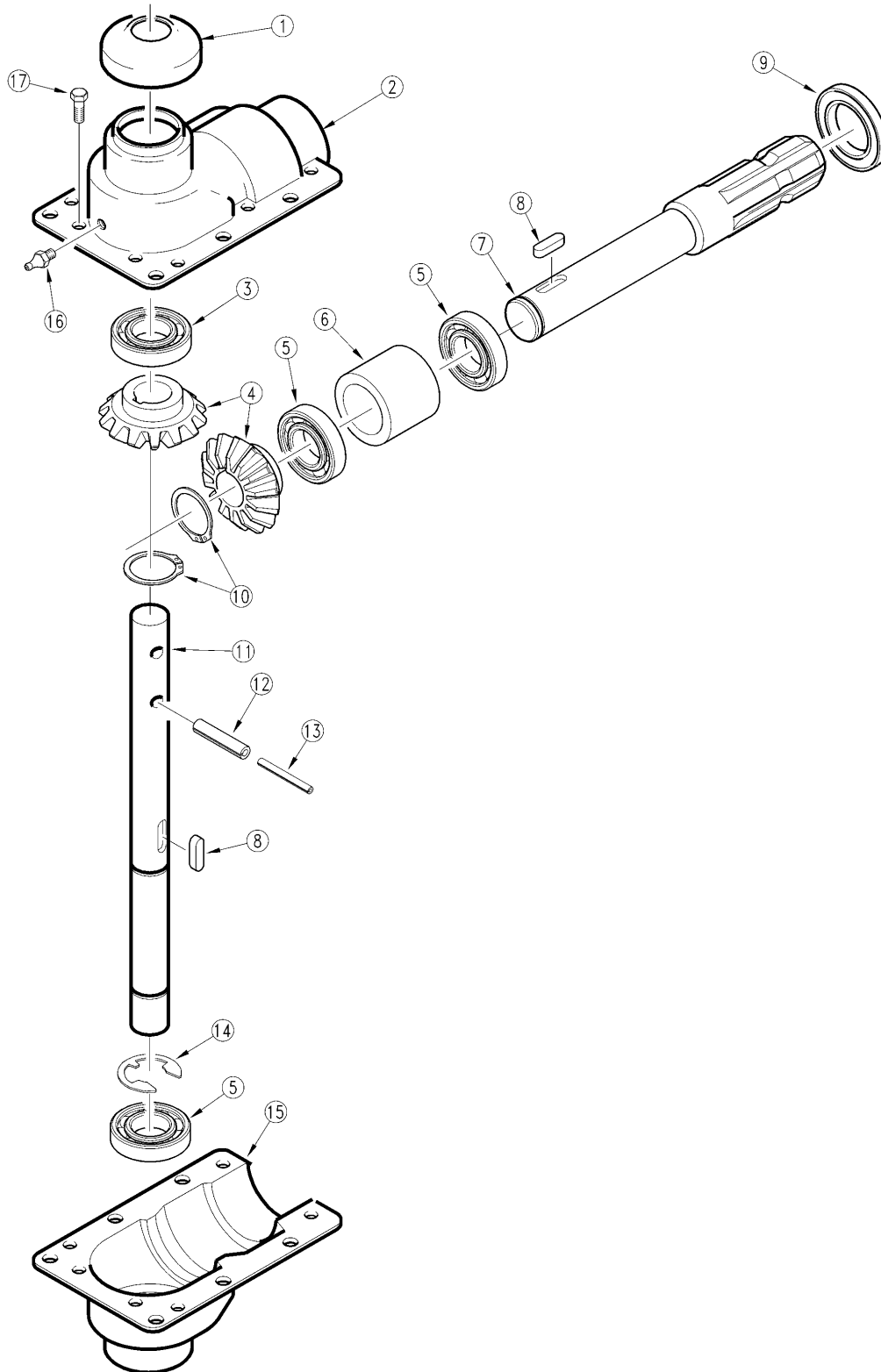


***Driveline (311.001) Eurocardan (S/N 279500+)*****Applies to FS1000, FS500, FS700**

<b>Ref</b>	<b>Part No.</b>	<b>Part Description</b>	<b>Comments</b>	<b>Revision</b>
	dwg18111	Drawing Image Number		
	311.001	COSMO DRIVELINE		
1.	1021010	EC YOKE ASSEMBLY (TRACT. END)		
2.	1001020	EC CROSS ASSEMBLY (U JOINT)		
3.	1991034N	EC INSIDE TUBE WITH YOKE		
4.	1981032N	EC OUTSIDE TUBE WITH YOKE		
5.	818-552C	DECAL DANGER PTO DRIVELINE		
6.	818-540C	DECAL DANGER GUARD MISS PTO		
7.	1581038	EC COMPLETE PUSH-PIN KIT		
8.	044321	DRIVELINE SHIELD SAFETY CHAIN		
9.	1211233	EC STIFFENING RING		
10.	1781003	EC STANDARD SOFT CONE		
11.	1871031	EC INNER TUBE		
12.	1770031	EC OUTER TUBE		
13.	1781005	EC TUBE BEARING (OUTER)		
14.	1781004	EC TUBE BEARING (INNER)		

# Gearbox (315.010)

Applies to FS1000, FS500, FS700



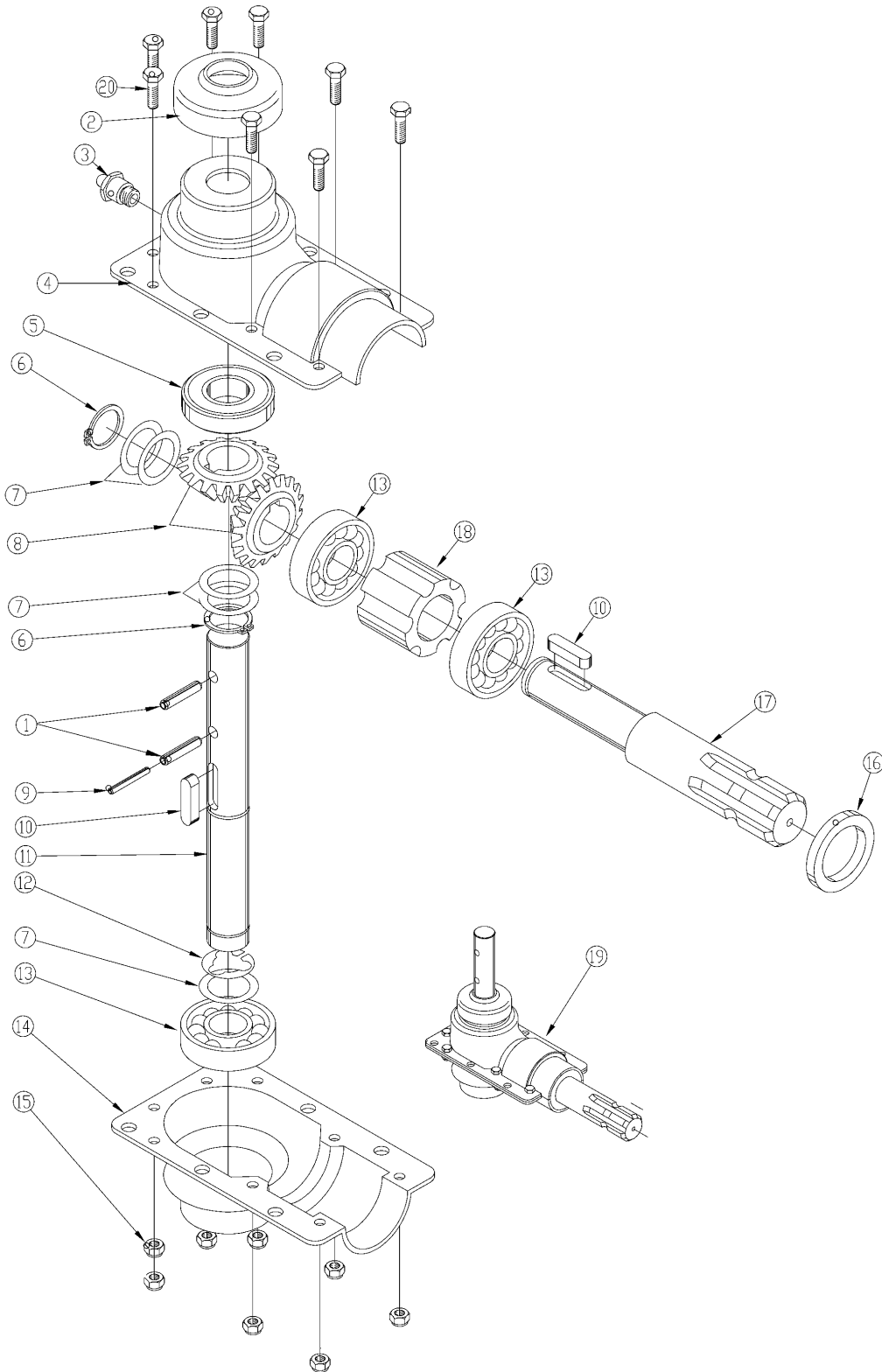
15325

**Gearbox (315.010)****Applies to FS1000, FS500, FS700**

<b>Ref</b>	<b>Part No.</b>	<b>Part Description</b>	<b>Comments</b>	<b>Revision</b>
	dwg15325	Drawing Image Number		
	315.010	COSMO GEAR BOX ASSY		
1.	304.003	COSMO OUTPUT COWLING		
2.	314.002	COSMO UPPER SHELL		
3.	310.001	COSMO BALL BEARING OUTPUT TOP		
4.	316.003	COSMO PINION GEAR		
5.	310.002	COSMO BALL BEARING IN/OUTPUT		
6.	329.011	COSMO SPACER INPUT SHAFT		
7.	323.008	COSMO INPUT SHAFT		
8.	326.003	COSMO SPLINE KEY		
9.	309.001	COSMO INPUT SHAFT OILSEAL		
10.	313.011	COSMO INTERNAL RETAINER RING		
11.	323.009	COSMO OUTPUT SHAFT		
12.	305.002	COSMO SPLIT PIN		
13.	305.003	COSMO SPLIT PIN		
14.	313.010	COSMO EXTERNAL RETAINER RING		
15.	314.001	COSMO LOWER SHELL		
16.	306.002	COSMO GREASE NIPPLE		
17.	300.026	COSMO HEX HEAD CAP SCREW		

# Gearbox (322.002)

Applies to FS1000, FS500, FS700



22166

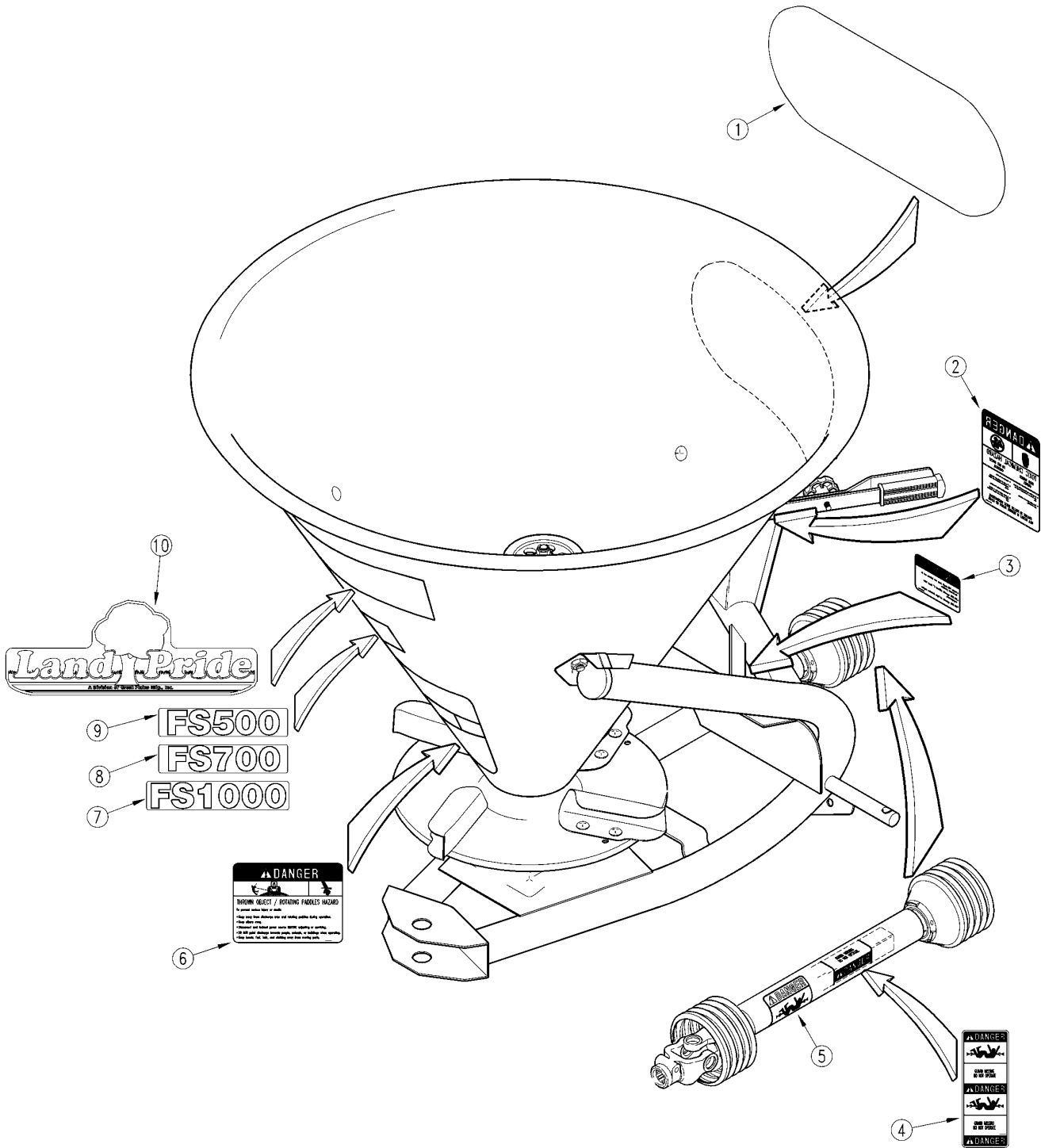


**Gearbox (322.002)****Applies to FS1000, FS500, FS700**

<b>Ref</b>	<b>Part No.</b>	<b>Part Description</b>	<b>Comments</b>	<b>Revision</b>
	dwg22166 322.002	Drawing Image Number COSMO G-BOX *		
1.	305.001	COSMO SPRING PIN 8X40		
2.	304.002	OUTPUT SHAFT COWLING		
3.	306.002	COSMO GREASE NIPPLE		
4.	314.002	COSMO UPPER SHELL		
5.	310.001	COSMO BALL BEARING OUTPUT TOP		
6.	313.011	COSMO INTERNAL RETAINER RING		
7.	303.011	WASHER 25X35X0,5 DIN 988		
8.	316.003	COSMO PINION GEAR		
9.	305.003	COSMO SPLIT PIN		
10.	326.003	COSMO SPLINE KEY		
11.	323.009	COSMO OUTPUT SHAFT		
12.	313.010	COSMO EXTERNAL RETAINER RING		
13.	310.002	COSMO BALL BEARING IN/OUTPUT		
14.	314.001	COSMO LOWER SHELL		
15.	301.009	SELF LOCKING NUT M6		
16.	309.001	COSMO INPUT SHAFT OILSEAL		
17.	323.008	COSMO INPUT SHAFT		
18.	329.011	COSMO SPACER INPUT SHAFT		
19.	322.002	COSMO G-BOX		
20.	300.026	COSMO HEX HEAD CAP SCREW		

# Label Placement

Applies to FS1000, FS500, FS700



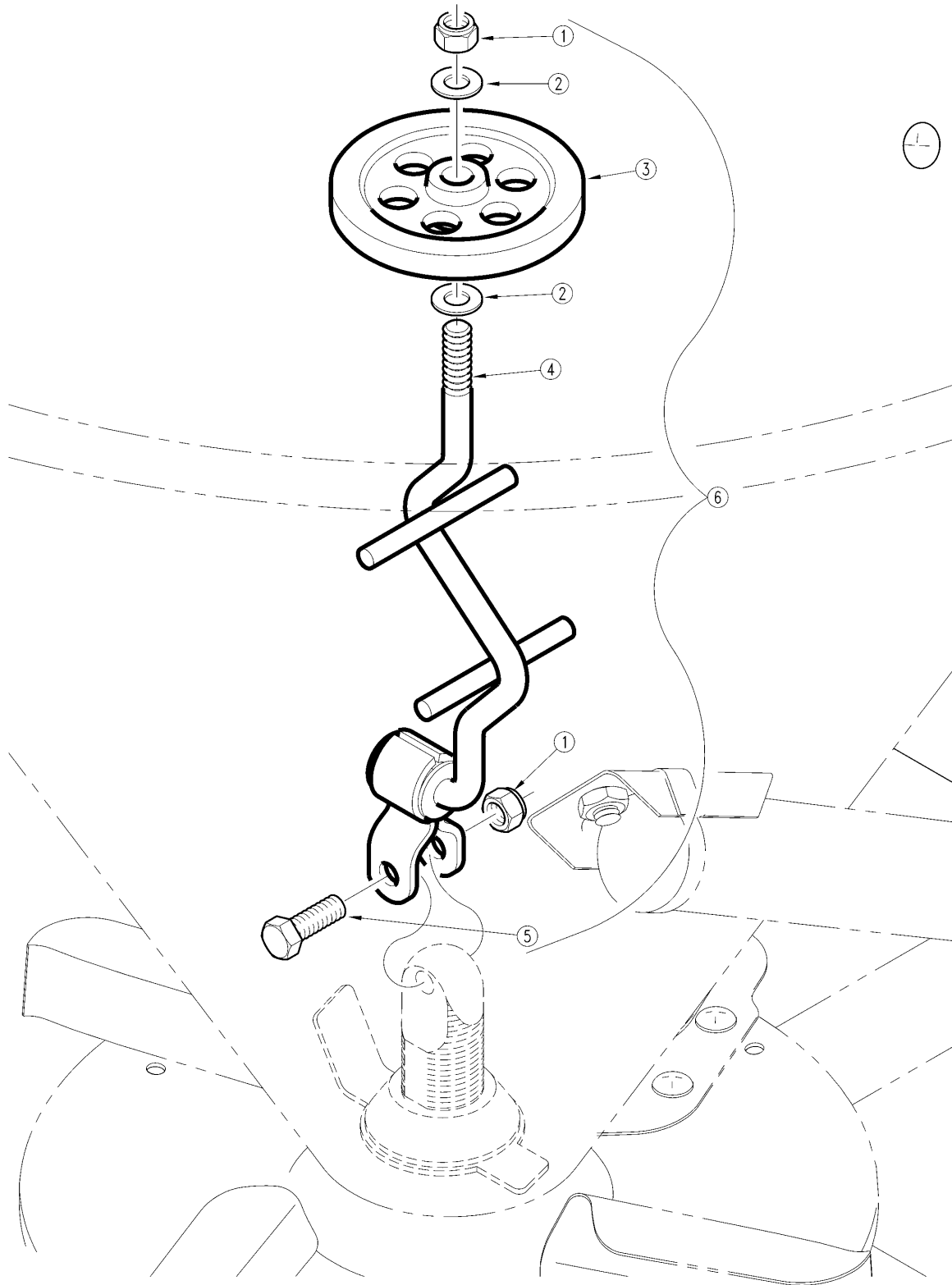
17571

**Label Placement****Applies to FS1000, FS500, FS700**

<b>Ref</b>	<b>Part No.</b>	<b>Part Description</b>	<b>Comments</b>	<b>Revision</b>
	dwg17571	Drawing Image Number		
1.	818-764C	DECAL FERT. SPREADING CHART		Rev. 2
1.	308.108	RPBY 818-764C		Rev 1; Use up stock
2.	818-541C	DECAL DANGER TOXIC CHEMICAL		
3.	818-542C	DECAL NOTICE FERT PTO INFO		
4.	818-540C	DECAL DANGER GUARD MISS PTO		
5.	818-552C	DECAL DANGER PTO DRIVELINE		
6.	818-539C	DECAL DANGER THROWN OBJ FERT		
7.	818-963C	DECAL FS1000-BROWN		Rev. 2 not compat. w/Rev. 1.
7.	818-732C	DECAL FS1000 LAND PRIDE BLACK		Rev. 1
8.	818-962C	DECAL FS700-BROWN		Rev. 2 not compat. w/Rev. 1.
8.	818-731C	DECAL FS700 LAND PRIDE BLACK		Rev. 1
9.	818-961C	DECAL FS500-BROWN		Rev. 2 not compat. w/Rev. 1.
9.	818-730C	DECAL FS500 LAND PRIDE BLACK		Rev. 1
10.	818-895C	DECAL LP W/TREE 19" - 2 COLOR		Rev. 2 not compat. w/Rev. 1.
10.	818-162C	LP LOGO LARGE GREEN		Rev. 1

# Agitator

Applies to FS1000, FS500, FS700



15311

***Agitator***

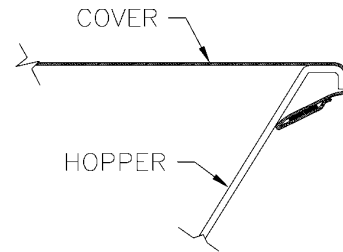
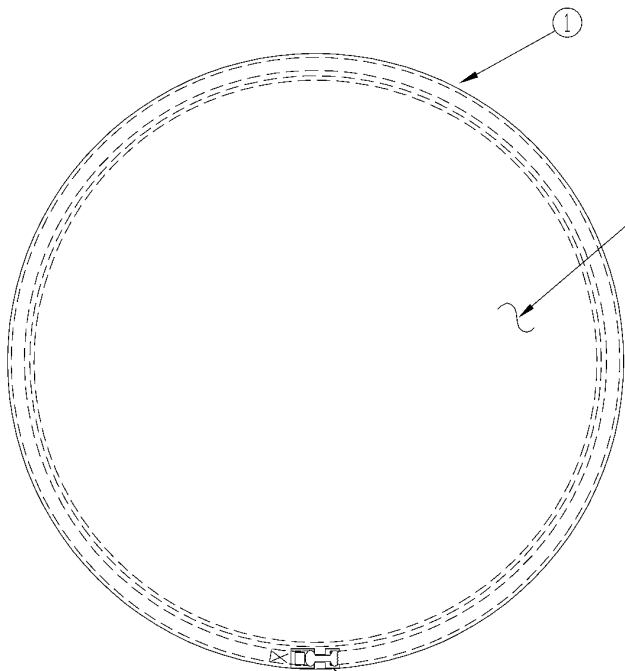
---

**Applies to FS1000, FS500, FS700**

<b>Ref</b>	<b>Part No.</b>	<b>Part Description</b>	<b>Comments</b>	<b>Revision</b>
	dwg15311	Drawing Image Number		
1.	301.008	COSMO SELF LOCK NUT		
2.	303.010	COSMO FLAT WASHER		
3.	304.011	COSMO BUFFER WHEEL		
4.	613.055	COSMO UPPER AGIT FRAME		
5.	300.032	COSMO SCREW HEX HEAD		
6.	309-501A	FERT SPREADER AGITATOR 619.004		

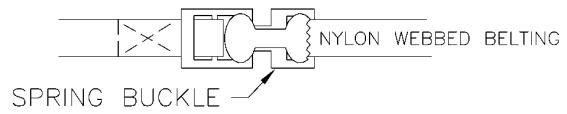
# Hopper Cover

Applies to FS1000, FS500, FS700



NOTES:

- 1. MATERIAL: BLACK VINYL COATED NYLON.
- 2. WEBBED NYLON BELTING WITH SPRING BUCKLE ATTACHED.



**Hopper Cover**

---

**Applies to FS1000, FS500, FS700**

<b>Ref</b>	<b>Part No.</b>	<b>Part Description</b>	<b>Comments</b>	<b>Revision</b>
	dwg22168	Drawing Image Number		
1.	890-722C	FS500 HOPPER COVER		
1.	890-723C	FS700 HOPPER COVER		
1.	890-724C	FS1000 HOPPER COVER		



# Part Number Index

The Part Number Index is a numeric index of all part numbers included in this manual. The index shows what page(s) the part is used on.

<u>Part Number</u>	<u>Page</u>	<u>Part Number</u>	<u>Page</u>
044321	11, 13	601.001	7, 9
1001020	11, 13	601.002	7, 9
1021010	11, 13	602.001	7, 9
1211233	11, 13	602.002	7, 9
1213233	11	604.001	7, 9
1581038	11, 13	604.002	7, 9
1770031	11, 13	605.003	7, 9
1773030	11	605.004	7, 9
1781003	11, 13	605.005	7, 9
1781004	11, 13	605.006	7, 9
1781005	11, 13	609.008	7, 9
1781210	11	609.011	7, 9
1781211	11	609.013	7, 9
1784205	11	610.002	7, 9
1784212	11	610.009	7, 9
1871031	11, 13	613.001	7, 9
1872030	11	613.003	7, 9
1884201	11	613.055	21
1884202	11	619.002	7, 9
1981032	11	633.001	9
1981032N	13	818-162C	19
1991034	11	818-539C	19
1991034N	13	818-540C	11, 13, 19
300.014	7, 9	818-541C	19
300.020	7, 9	818-542C	19
300.023	7, 9	818-552C	11, 13, 19
300.024	7, 9	818-730C	19
300.026	15, 17	818-731C	19
300.029	7, 9	818-732C	19
300.030	7, 9	818-764C	19
300.032	21	818-895C	19
301.005	7, 9	818-961C	19
301.008	7, 9, 21	818-962C	19
301.009	17	818-963C	19
301.010	7, 9	890-722C	23
301.012	7, 9	890-723C	23
301.014	7, 9	890-724C	23
302.003	7, 9	dwg13608	7, 9
303.008	7, 9	dwg15311	21
303.009	7, 9	dwg15325	15
303.010	21	dwg17571	19
303.011	17	dwg18110	11
304.002	17	dwg18111	13
304.003	15	dwg22166	17
304.008	7, 9	dwg22168	23
304.011	21		
304.013	7, 9		
305.001	7, 9, 17		
305.002	7, 9, 15		
305.003	15, 17		
306.002	15, 17		
307.001	7, 9		
308.108	19		
309-501A	21		
309.001	15, 17		
310.001	15, 17		
310.002	15, 17		
311.001	7, 9, 11, 13		
313.010	15, 17		
313.011	15, 17		
314.001	15, 17		
314.002	15, 17		
315.010	7, 9, 15		
316.003	15, 17		
322.002	7, 9, 17		
323.008	15, 17		
323.009	15, 17		
326.003	15, 17		
329.011	15, 17		
330.001	7, 9		



***This Page Intentionally Left Blank***



Great Plains Manufacturing, Inc.

Corporate Office: P.O. Box 5060  
Salina, Kansas 67402-5060 USA

[www.landpride.com](http://www.landpride.com)

---