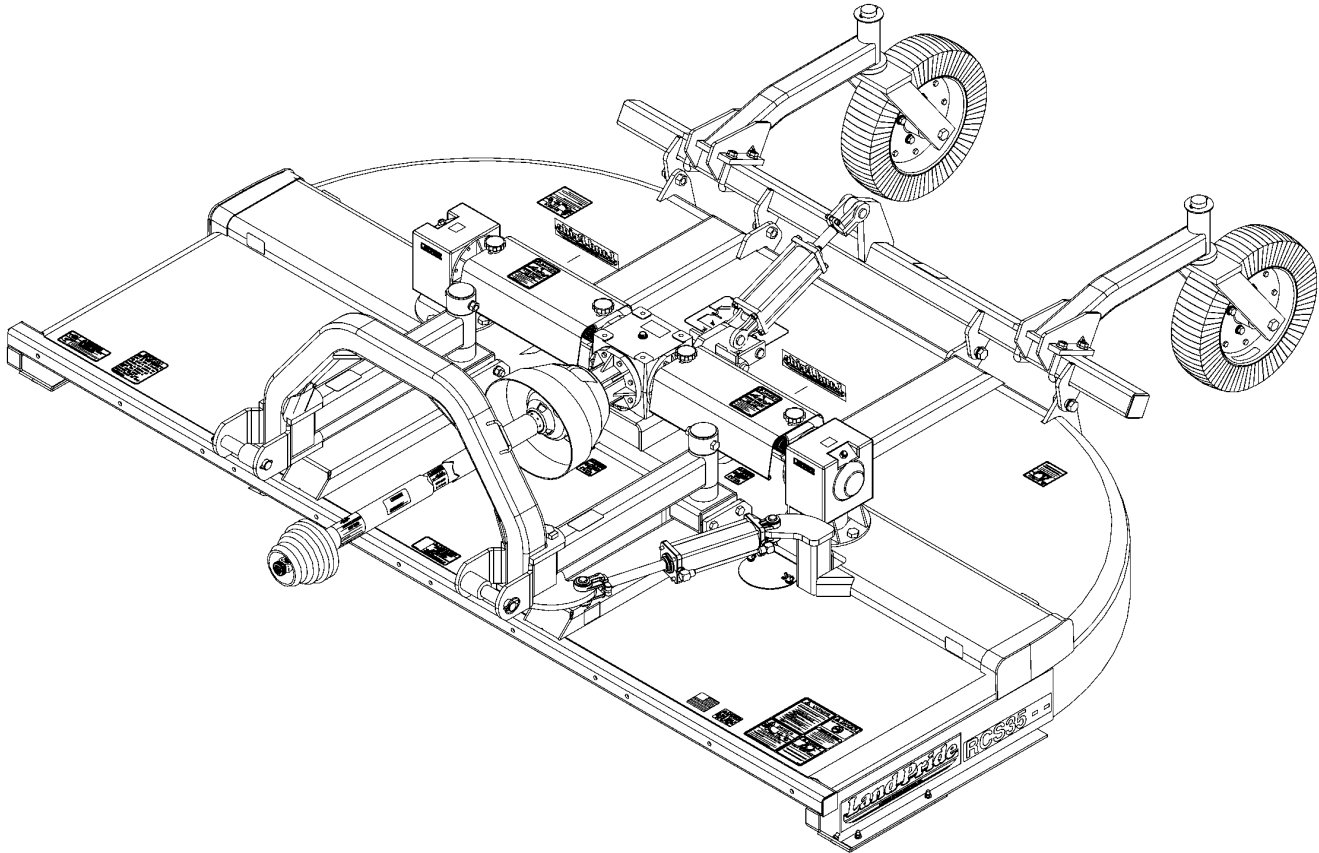


Rotary Cutter

RCS3596, RCSM3596, RCS3510 & RCSM3510



20925

312-708P **Parts Manual**



Read the Operator's manual entirely. When you see this symbol, the subsequent instructions and warnings are serious - follow without exception. Your life and the lives of others depend on it!

© Copyright 2006 Printed 03/22/06

Cover photo may show optional equipment not supplied with standard unit.





Table of Contents

Section 1: Introduction.....4
 Using This Manual.....4
 Manual Replacement Information.....4
 Manual Revisions.....4
 Touch-up Paint.....4
 Hardware Legend.....5
 Replacement Hardware.....5
 Serial Numbers.....5
 Part Number Service Coding.....5

RCS(M)35 SERIES

Section 2: Decks.....6
 Axle Semi-Mount Rear.....6
 Deck.....8
 Hydraulic Lift.....12
 Offset Hitch Assembly.....14
 Offset Hitch Assembly.....16

Section 3: Guards.....18
 Guards Chain.....18
 Guards Rubber.....20

Section 4: Drivelines.....22
 Driveline Flex Coupler (826-224C) Eurocardan.....22
 Driveline Flex Coupler (826-334C) Eurocardan.....24
 Driveline Lift Type Cutter 1000 RPM (826-216C)
 Eurocardan.....26
 Driveline Lift Type Cutter 1000 RPM (826-258C)
 Eurocardan.....28
 Driveline Lift Type Cutter 540 RPM (826-215C)
 Eurocardan.....30
 Driveline Slip Clutch (1000 RPM) (1406016)
 Eurocardan.....32
 Driveline Slip Clutch (540 RPM) (1446016) Ecurcardan...34

Section 5: Gearboxes.....36
 Gearbox (826-217C) OMNI (S/N 378193-).....36
 Gearbox (826-378C) OMNI (S/N 378194+).....38
 Gearbox (T-Box) 1000 RPM (826-219C) OMNI.....40
 Gearbox (T-Box) 540 RPM (826-218C) OMNI.....42

Section 6: Hydraulics.....44
 Hydraulic Cylinder (810-195C) Midway.....44
 Hydraulic Cylinder (810-200C) Midway.....46

Section 7: Labels.....48
 Label Placement.....48

Part Number Index.....50

© Copyright 2006. All rights reserved.

Land Pride provides this publication “as is” without warranty of any kind, either expressed or implied. While every precaution has been taken in the preparation of this manual, Land Pride assumes no responsibility for errors or omissions. Neither is any liability assumed for damages resulting from the use of the information contained herein. Land Pride reserves the right to revise and improve its products as it sees fit. This publication describes the state of this product at the time of its publication, and may not reflect the product in the future. The illustrations in this manual are not intended for safe and proper assembly or disassembly of equipment. The illustrations are intended for ordering parts only.

Land Pride is registered trademark.

All other brands and product names are trademarks or registered trademarks of their respective holders.

Printed in the United States of America.



Alphabetized Table of Contents

RCS(M)35 SERIES

A	
Axle Semi-Mount Rear.....	6
D	
Deck.....	8
Driveline Flex Coupler (826-224C) Eurocardan.....	22
Driveline Flex Coupler (826-334C) Eurocardan.....	24
Driveline Lift Type Cutter 1000 RPM (826-216C) Eurocardan.....	26
Driveline Lift Type Cutter 1000 RPM (826-258C) Eurocardan.....	28
Driveline Lift Type Cutter 540 RPM (826-215C) Eurocardan.....	30
Driveline Slip Clutch (1000 RPM) (1406016) Eurocardan.....	32
Driveline Slip Clutch (540 RPM) (1446016) Eurocardan.....	34
G	
Gearbox (826-217C) OMNI (S/N 378193-).....	36
Gearbox (826-378C) OMNI (S/N 378194+).....	38
Gearbox (T-Box) 1000 RPM (826-219C) OMNI.....	40
Gearbox (T-Box) 540 RPM (826-218C) OMNI.....	42
Guards Chain.....	18
Guards Rubber.....	20
H	
Hydraulic Cylinder (810-195C) Midway.....	44
Hydraulic Cylinder (810-200C) Midway.....	46
Hydraulic Lift.....	12
L	
Label Placement.....	48
O	
Offset Hitch Assembly.....	14

General Information

Using This Manual

This manual is divided into sections. The first section contains General Information. The remaining sections divide the machine into segments (i.e. Frames, Drives, Hydraulics, etc.) which illustrate and list all parts. A Parts Number Index is located at the back of the book.

The Land Pride parts in this manual are specially designed for this machine and should be replaced with Land Pride parts only.

The information in this manual is current at time of printing. Some parts may change to assure top performance.

Right-hand and left-hand as used in this manual are determined by facing the direction the machine will travel while in use.

Below is an example of two facing pages from a parts manual. Familiarize yourself with the type of information contained on these pages.

Manual Replacement Information

Replacement manuals are available. Refer to our website at www.landpride.com, the Land Pride Support Center CD or e-mail us at lit@landpride.com for additional information. Our website continues to provide the most up-to-date manuals available.

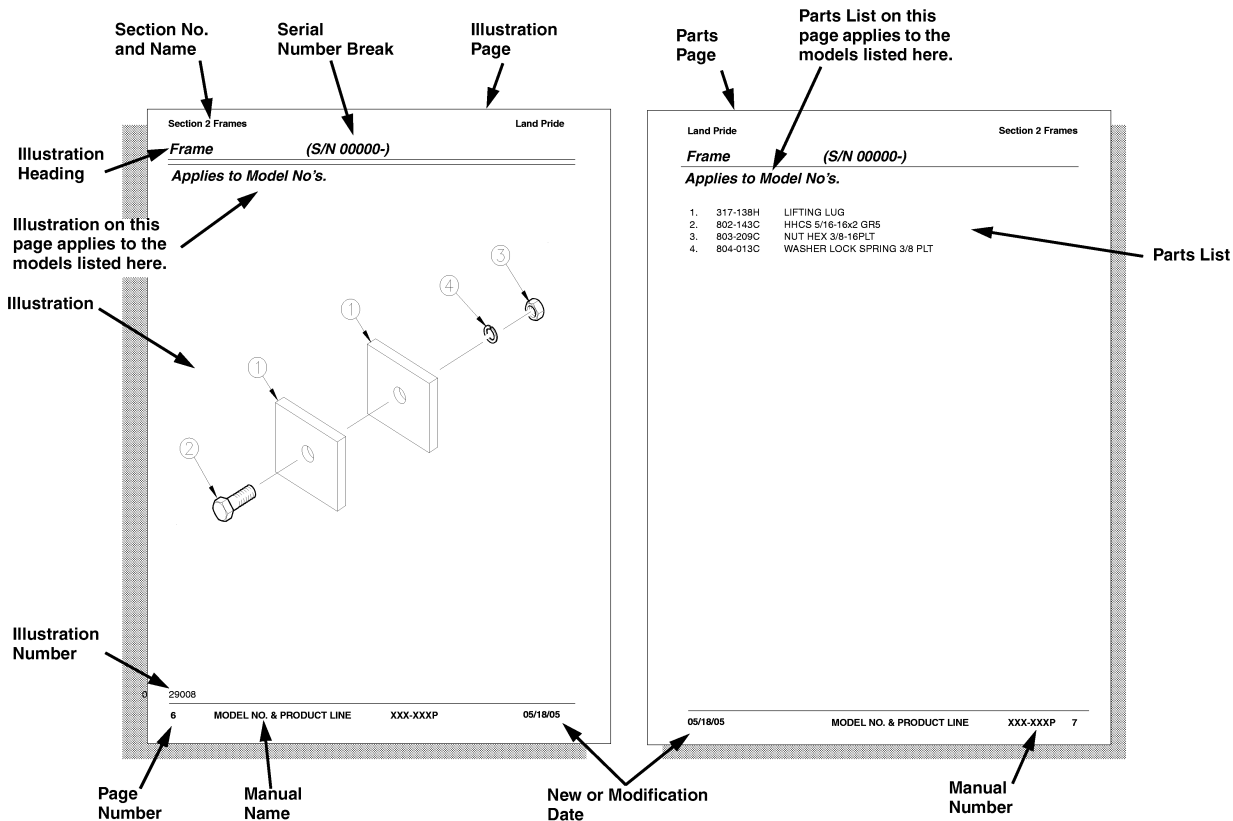
Touch-up Paint

Repaint parts where paint is worn or scratched to prevent rust. Aerosol cans and touch-up bottles with brush applicator are available through your local dealer. Land Pride color descriptions and part numbers are listed below. Also available are quart and gallon size paints. Add QT or GL to end of the Aerosol P/N.

Color	Product ¹	Aerosol	Touch-Up
Gloss Black	LP	821-032C	821-032CTU
Medium Gloss Black	UV	821-053C	821-053CTU
Beige	LP	821-011C	821-011CTU
Green	SLP	821-058C	821-058CTU
Orange	SLP	821-066C	821-066CTU
Red	SLP/UV	821-054C	821-054CTU
Blue	SLP/UV	821-067C	821-067CTU
Dark Green Sparkle	UV	821-055C	821-055CTU
Gondo Forest Green	UV	821-057C	821-057CTU
Brite Yellow ²	UV	821-056C	821-056CTU
Gondo Yellow ³	UV	821-059C	821-059CTU

Notes:

- 1 LP = All Land Pride Products except Utility Vehicles
SLP = Select Land Pride Products that are available in optional Green, Orange, Red, & Blue colors.
UV = Utility Vehicles
- 2 Used on Trekers and (Runabouts with S/N 407628-)
- 3 Used on Gondos and (Runabouts with S/N 407629+)



General Information

Hardware Legend

AR	As Required
BLADE	Blade Bolt
C	Cap Screw
CP	Cotter Pin
CPHSSS	Cup Point Hex Socket Set Screw
CPSHSS	Cup Point Square Head Set Screw
CPSQHSS	Cup Point Square Head Set Screw
CRFCHMS3	Cross Recess Flat Countersunk Head Machine Screw
CRPHMS	Cross Recess Pan Head Machine Screw
CRPHTF	Cross Recess Pan Head Thread Forming
CRRHMS	Cross Recess Round Head Machine Screw
CRTHMS	Cross Recess Truss Head Machine Screw
CSNB	Countersunk Square Neck Bolt
FHMS	Flat Head Machine Screw
FTC	Full Thread Cap Screw
H	Hex Nut
HCLN	Hex Center Lock Nut
HFLCS	Hex Flange Lock Cap Screw
HFS	Hex Flange Screw
HFSLN	Hex Flange Serrated Lock Nut
HFSS	Hex Flange Serrated Screw
HHCS	Hex Head Cap Screw or Metric Bolt
HSBHCS	Hex Socket Button Head Cap Screw
HSFCHCS	Hex Socket Flat Countersunk Head Cap Screw
HSHCS	Hex Socket Head Cap Screw
HSSS	Hex Socket Head Screw
HTLN	Hex Top Lock Nut
HWHCS	Hex Washer Head Cap Screw

HWHMS	Hex Washer Head Machine Screw
HXBHCS	Hex Socket Button Head Cap Screw
J	Hex Jam Nut
JIC	37 Degree Tapered Thread
L	Helical Spring Lock Washer
LUG	Lug Bolt
NFC	National Fine Cap Screw
NPSM	National Pipe Straight Mechanical
NPTF	National Pipe Taper Fuel
P	Wide Plain Washer
PHMS	Pan Head Machine Screw
PLOW	Plow Bolt
RHMS	Round Head Machine Screw
RHSNB	Round Head Square Neck Bolt
SCREW LEVELING	Leveling Screw
SCREW THUMB	Thumb Screw
SCREW WELD	Weld Screw
SFCHMS	Slotted Flat Countersunk Head Machine Screw
SFHMS	Slotted Fillister Head Machine Screw
SP	Special
SP SCREW	Special Screw
SQHSS	Square Head Set Screw
SRHMS	Slotted Round Head Machine Screw
SSS	Socket Set Screw
STCS	Self Tapping Cap Screw
STHMS	Slotted Truss Head Machine Screw
WHEEL	Wheel Studs and Hub Long Bolts
WING	Wing Bolt

Replacement Hardware

The **Hardware Legend** above lists hardware abbreviations used in the parts list. All bolts and nuts are Grade 5 unless otherwise noted. The use of improper grades of hardware can result in personal injury, damage to equipment, or loss of property.

Colored Replacement Parts

Land Pride offers replacement parts in factory standard colors and also on select models in Green, Orange, Red and Blue. Because of the variety of colors available, special attention must be given to the part number to prevent ordering the wrong replacement part.

A suffix number corresponding to one of the colors below must be added at the end of Land Pride's part number when ordering a replacement part with that color.

81 **Green** **83** **Red**
82 **Orange** **84** **Blue**

For example, if you are ordering a replacement part with part number 555-555C and the part you need is red, then add the suffix 83 to the end of the number to make the part number read 555-555C83. Parts ordered without a suffix number will be supplied in factory standard colors.

Black Replacement Parts

Some parts are factory standard black and some must be special ordered black. If your part is special ordered black, a second part number with the additional suffix number 85 on the end will be available. In this situation you must order that part with the suffix number for it to be black. Parts that are factory standard black will not have the suffix number.

Part Number Service Coding

Within the parts list some part numbers are coded for revisions and interchangeability. See notations in revision column.

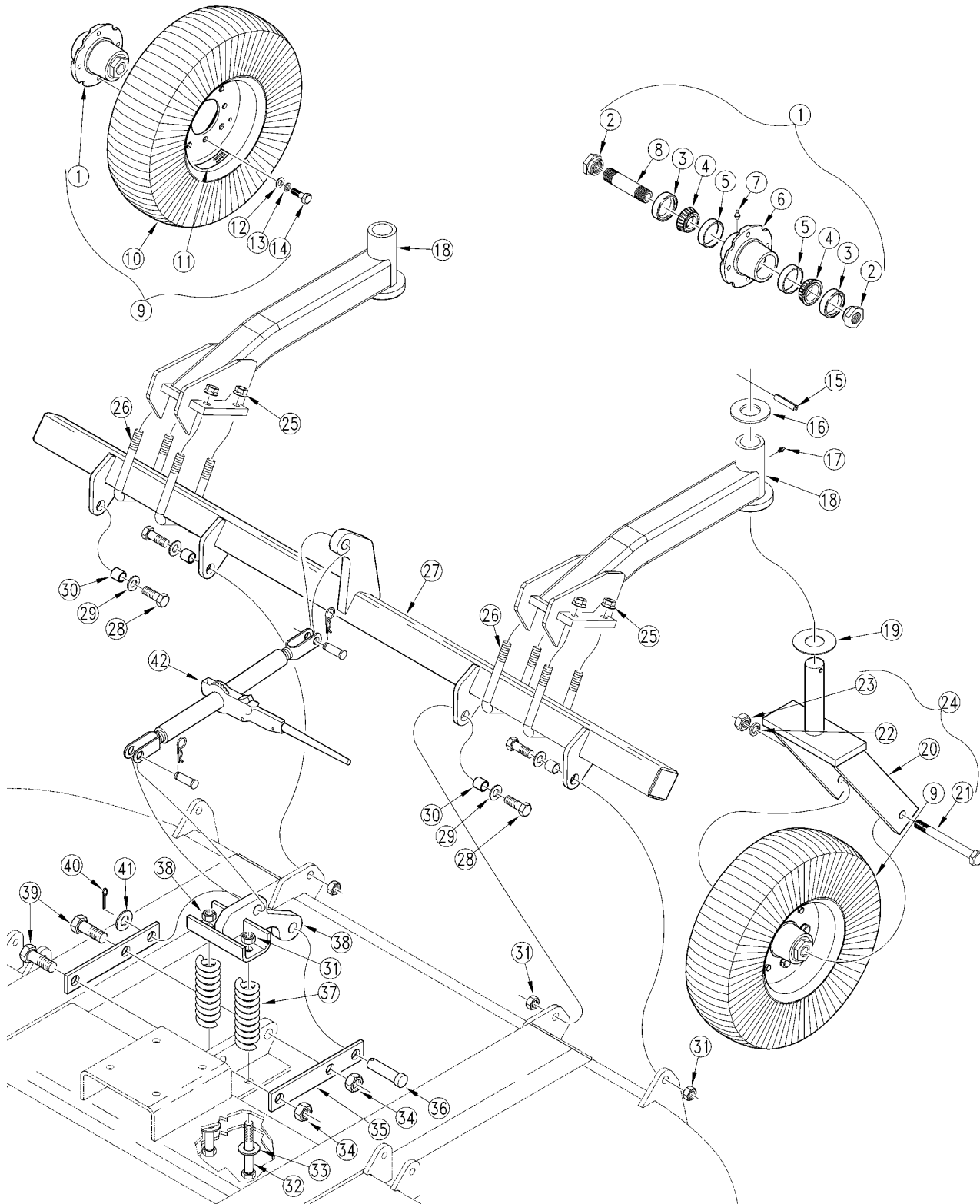
Serial Numbers

Always use the serial and model number when ordering parts. Refer to the Operator's Manual for serial number plate location.

- | | |
|----------------------|--|
| (S/N 20001+) | Includes serial numbers 20001 and above (to the latest number) |
| (S/N 10001 to 20000) | Includes serial numbers between and including 10001 and 20000 |
| (S/N 10000-) | Includes serial numbers 10000 and below (to the earliest number) |

Axle Semi-Mount Rear

Applies to RCS3510, RCS3596, RCSM3510, RCSM3596



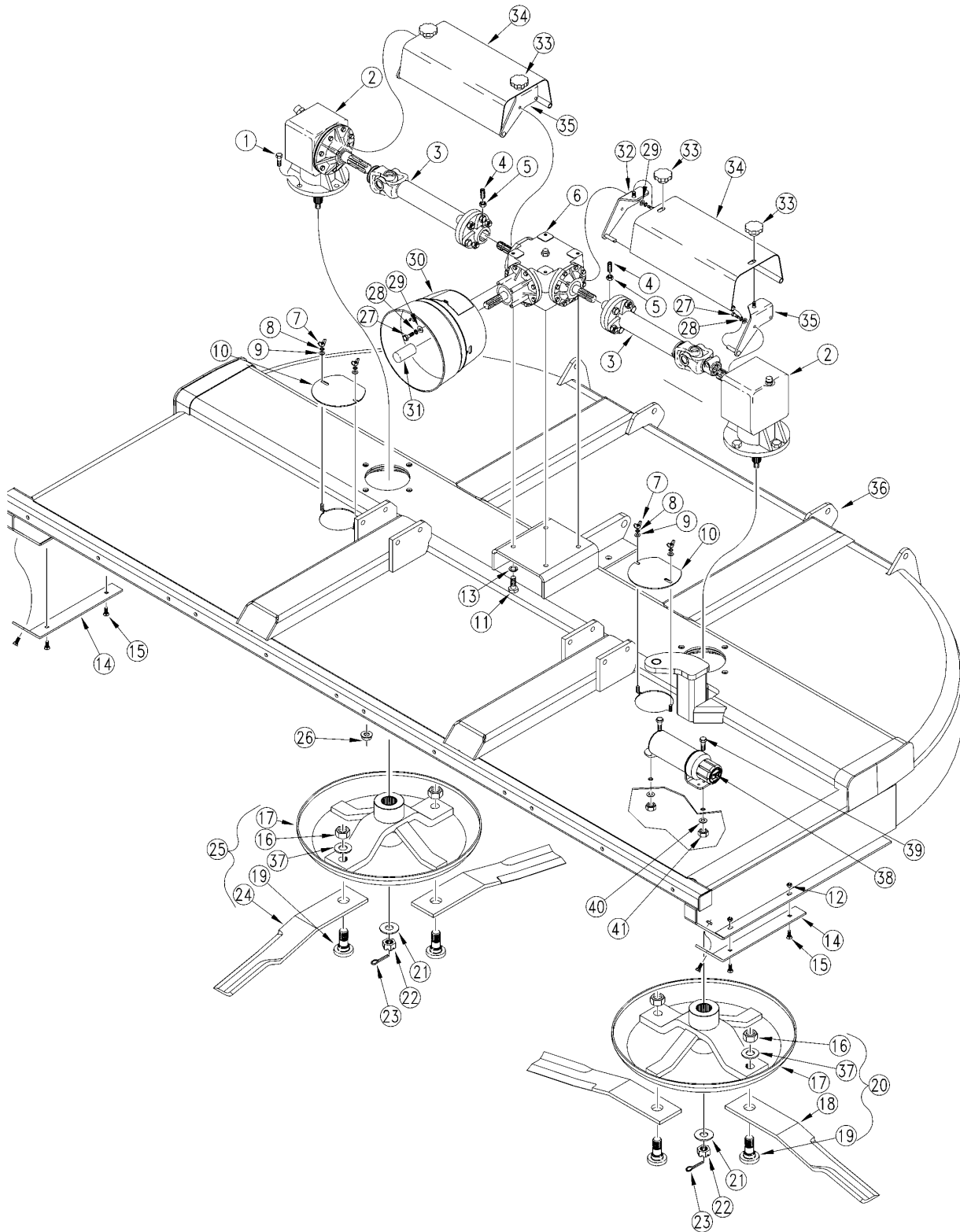
20915

Axle Semi-Mount Rear**Applies to RCS3510, RCS3596, RCSM3510, RCSM3596**

Ref	Part No.	Part Description	Comments	Revision
		Image Reference: 20915		
1.	815-092C	HUB & SPINDLE ASSY 4 BOLT		
2.	803-289C	NUT HEX 1 1/4-7(MACHINED)PLAIN		
3.	816-286C	OIL SEAL DBL LIP 2.441 BORE		
4.	822-091C	BEARING CONE 15123		
5.	822-092C	BEARING CUP 15245		
6.	815-091C	HUB 4 BOLT		
7.	800-001C	GREASE ZERK STRAIGHT 1/4-28		
8.	827-036C	BUSHING TW 1.25ODX.78IDX5 1/4		
9.	312-067K	RC35 TAILWHEEL ASSY-21		
10.	814-059C	TIRE & WHEEL LAMINATED 6.0 X 9		
11.	818-681C	DECAL NOTICE - 20 MPH MAX		
12.	804-016C	WASHER FLAT 1/2 SAE PLT		
13.	804-015C	WASHER LOCK SPRING 1/2 PLT		
14.	802-326C	HHCS 1/2-20X1 1/4 GR5		Rev. 2
14.	802-240C	HHCS 1/2-20X1 GR5		Rev. 1
15.	805-255C	PIN ROLL 3/8 X 2 1/2 PLT		
16.	804-074C	WASHER MACH 3.25 X 1.75 X 10GA		
17.	800-080C	GREASE ZERK 1/4-28 THD FORMING		
18.	312-591H	WLDMT.YOKE ARM SUPPORT		
19.	312-231D	TAILWHEEL WASHER		
20.	312-100H	RC35 YOKE WLDMT		
21.	802-272C	HHCS 3/4-10X10 GR5		
22.	804-023C	WASHER LOCK SPRING 3/4 PLT		
23.	803-027C	NUT HEX 3/4-10 PLT		
24.	312-084L	RC 35 TW & YOKE ASSY		
25.	803-263C	NUT HEX FLANGE LOCK 5/8-11 PLT		
26.	806-018C	U-BOLT 5/8-11 X 3 1/32X4 1/4G5		
27.	312-588H	WLDMT. SEMI-MOUNT AXLE		
27.	312-630H	WLDMT. SEMI-MOUNT AXLE		
28.	802-065C	HHCS 3/4-10X2 1/4 GR5		
29.	804-025C	WASHER FLAT 3/4 SAE PLT		
30.	312-712D	TUBE 1 OD X 12 GA X 15/16 LG.		
31.	803-026C	NUT LOCK 3/4-10 PLT		
32.	802-360C	HHCS 3/4-10X6 1/2 GR5		
33.	804-024C	WASHER FLAT 3/4 USS PLT		
34.	803-168C	NUT HEX TOP LOCK 1-8 PLT		
35.	312-804D	SPRING SHOCK SUPPORT		
36.	805-187C	PIN CLEVIS 1 X 2 1/4 GR5 PLT		
37.	807-143C	SPRING COMP 1.88OD x .362W		
38.	312-515H	SPRING SHOCK WLDMT		
39.	802-368C	HHCS 1-8X3 GR5		
40.	805-104C	PIN COTTER 3/16 X 1 1/2 PLT		
41.	804-029C	WASHER FLAT 1 SAE		
42.	890-177C	RATCHET JACK - HEAVY DUT	Optional	

Deck

Applies to RCS3510, RCS3596, RCSM3510, RCSM3596



20914

Deck**Applies to RCS3510, RCS3596, RCSM3510, RCSM3596**

Ref	Part No.	Part Description	Comments	Revision
		Image Reference: 20914		
1.	802-064C	HHCS 3/4-10X2 GR5		
2.	826-378C	GBOX RC35 1.75-20 1:1.47 STD.	(S/N 378194+)	
2.	826-217C	GBOX RC71SS 1.75-20 1:1.46	(S/N 378193-)	
3.	826-334C	FLEX COUPLER 1 3/4-20 (14.35)	(Shown) RCS3510	
3.	826-224C	FLEX COUPLER 1 3/4-20 (9.21)	RCS3596	
4.	801-007C	SCREW SET SQ HD 3/8-16X7/8 PLT		
5.	803-012C	NUT HEX JAM 3/8-16 PLT		
6.	826-218C	T-BOX 500 SER. 1.75-20 1:1.35	540 RPM	
6.	826-219C	T-BOX 500 SER. 1.75-20 1.35:1	1000 RPM	
7.	803-231C	NUT WING 3/8-16 PLT		
8.	804-013C	WASHER LOCK SPRING 3/8 PLT		
9.	804-012C	WASHER FLAT 3/8 SAE PLT		
10.	312-812D	ACCESS COVER PLATE		
11.	802-034C	HHCS 1/2-13X1 1/4 GR5		
12.	803-198C	NUT HEX WHIZ 3/8-16 PLT		
13.	804-015C	WASHER LOCK SPRING 1/2 PLT		
14.	312-602D	SKID SHOE		
15.	802-466C	PLOW 3/8-16X1 1/4 GR5		
16.	803-170C	NUT HEX TOP LOCK 1 1/8-12 PLT.		
17.	312-817H	17 DISHPAN WLDMT LG.HUB(COMER)	(S/N 378194+)	
17.	312-510H	DISHPAN WELDMENT 17" CTR	(S/N 378193-) (Shown) RCS3510	
17.	312-820H	15 DISHPAN WLDMT LG.HUB(COMER)	(S/N 378194+)	
17.	312-404H	15 ROUND DISHPAN WLDMNT(OMNI)	(S/N 378193-) RCS3596	
18.	820-137C	CUTTER BLADE 1/2 X 4 X 25 CCW	Standard Blade; RCS3510	
18.	820-193C	CUTTER BLADE 1/2X4X25 LL CCW	Optional blade; RCS3510	
18.	820-195C	CUTTER BLADE 1/2X4X20 1/2 CCW	Standard Blade; RCS3596	
18.	820-210C	CUTTER BLADE 1/2X4X20.5 LL CCW	Optional blade; RCS3596	
19.	802-277C	BLADE BOL 1 1/8-12X3 7/16 W/KY		
20.	312-529S	CCW BLADE CARRIER ASSY.	(Shown) RCS3510	
20.	312-627S	CCW BLADE CARRIER ASSY.	RCS3596	
21.	804-029C	WASHER FLAT 1 SAE		
22.	803-095C	NUT HEX SLOTTED 1-14		
23.	805-017C	PIN COTTER 3/16 X 1 3/4 PLT		
24.	820-112C	CUTTER BLADE 1/2 X 4 X 25 CW	Standard Blade; RCS3510; Quantity 2 per cutter	
24.	820-209C	CUTTER BLADE 1/2X4X25 LL CW	Optional blade; RCS3510; Quantity 2 per cutter	
24.	820-196C	CUTTER BLADE 1/2X4X20 1/2 CW	Standard Blade; RCS3596; Quantity 2 per cutter	
24.	820-211C	CUTTER BLADE 1/2X4X20.5 LL CW	Optional blade; RCS3596; Quantity 2 per cutter	
25.	312-528S	CW BLADE CARRIER ASSY.	(Shown) RCS3510	
25.	312-626S	CW BLADE CARRIER ASSY.	RCS3596	
26.	803-181C	NUT HEX FLANGE LOCK 3/4-10 PLT		
27.	802-007C	HHCS 5/16-18X3/4 GR5		
28.	804-009C	WASHER LOCK SPRING 5/16 PLT		
29.	804-036C	WASHER FLAT 5/16 SAE PLT		
30.	826-222C	LARGE SHAFT CONE W ACCESS DOOR		
31.	817-165C	GRBOX SHAFT(1 3/4OD) PROTECTOR		
32.	312-509H	SHIELD BRACKET WELDMENT		
33.	817-259C	KNOB 3/8-16 FEMALE THD 2 3/8OD		
34.	312-805D	OUTER SHIELD	(Shown) RCS3510	
34.	312-933D	OUTER SHIELD	RCS3596	
35.	312-508H	SHIELD BRACKET WELDMENT		
36.	312-687H	RCS3510 OFFSET DECK WELDMENT	(Shown)	
36.	312-686H	RCS3596 OFFSET DECK WELDMENT		
37.	804-147C	WASHER FLAT 1 HARD ASTMF436 PN		

Deck (continued)

Applies to RCS3510, RCS3596, RCSM3510, RCSM3596

Ref	Part No.	Part Description	Comments	Revision
38.	816-481C	MANUAL STORAGE CONTAINER		
39.	802-005C	HHCS 1/4-20X1 GR5		
40.	804-007C	WASHER FLAT 1/4 SAE PLT		
41.	803-255C	NUT HEX NYLOCK 1/4-20		

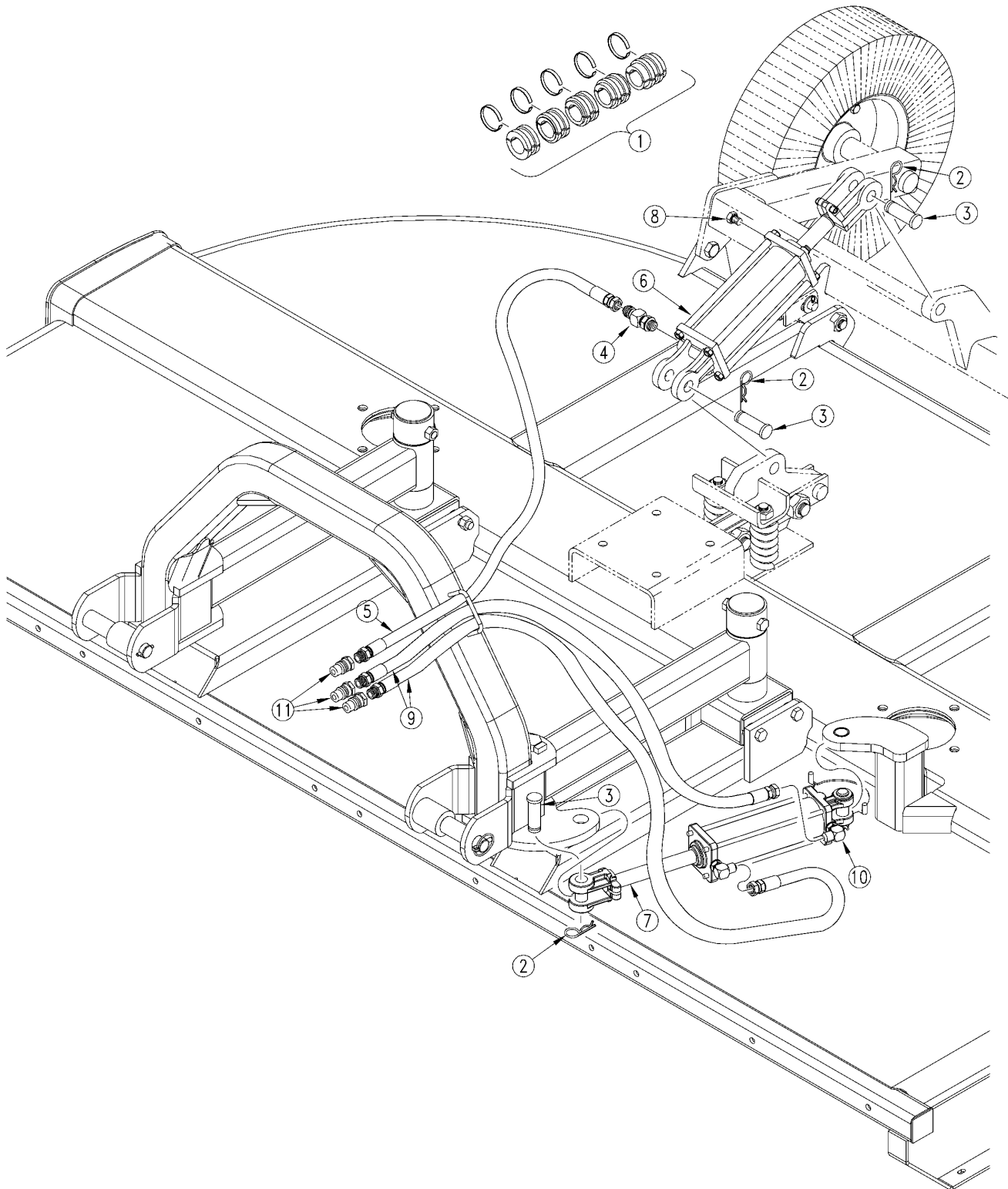
Deck (continued)

Applies to RCS3510, RCS3596, RCSM3510, RCSM3596

This Page Intentionally Left Blank

Hydraulic Lift

Applies to RCS3510, RCS3596, RCSM3510, RCSM3596



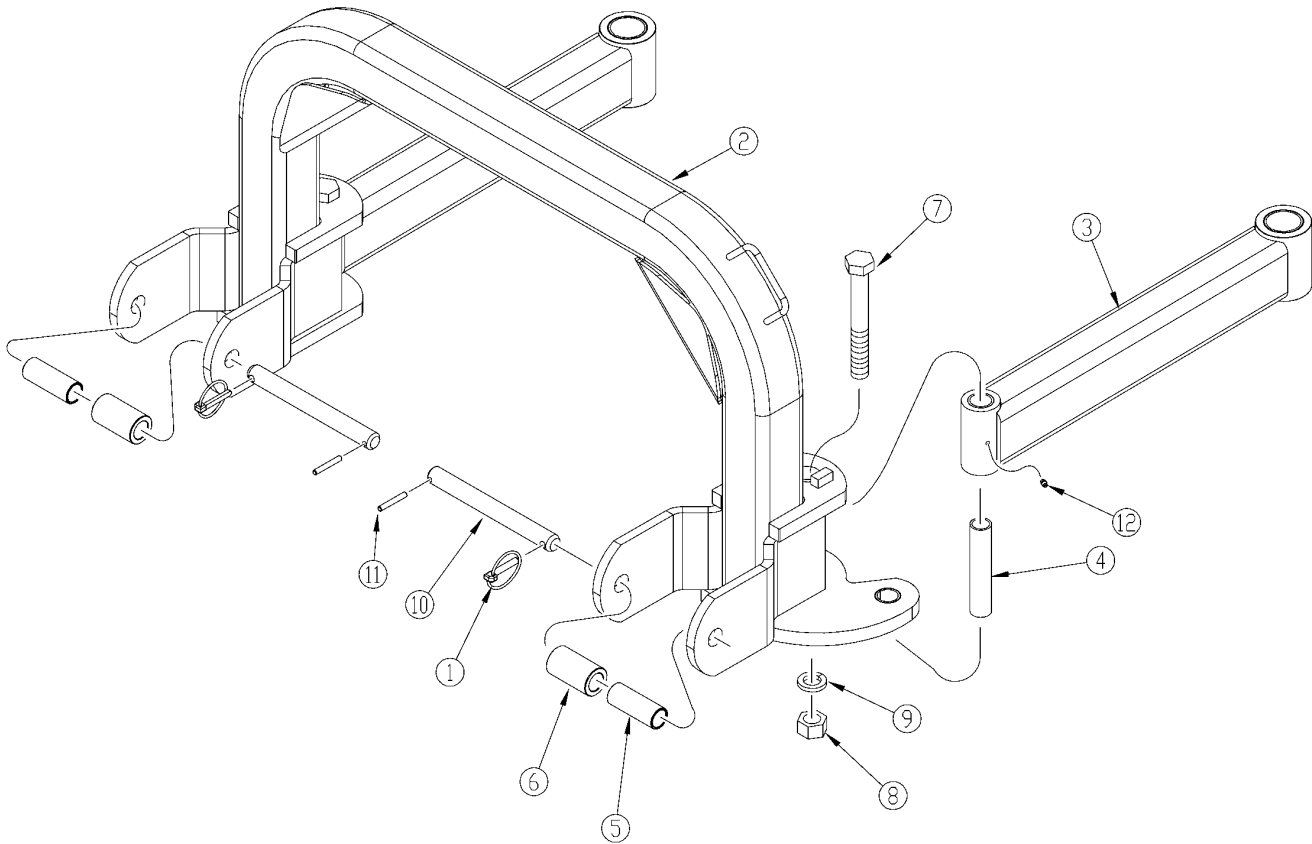
20916

Hydraulic Lift**Applies to RCS3510, RCS3596, RCSM3510, RCSM3596**

Ref	Part No.	Part Description	Comments	Revision
		Image Reference: 20916		
1.	810-242C	STROKE CONTROL SPACERS 1 1/8		
2.	805-088C	PIN, HAIR COTTER 3/16 WIRE DIA		
3.	805-004C	PIN CLEVIS 1 X 2 3/4 USABLE LG		
4.	811-170C	AD 9/16MORB 9/16MJIC		
5.	811-676C	HH3/8R1 144 3/4MORB 9/16FJIC		
6.	810-200C	CYL 2.5X8X1.12 ROD (TIE)1 PIN		
7.	810-195C	CYL 3X8X1.25 ROD (TIE) NO PINS		
8.	800-117C	VENT PLUG - 9/16-18 PLATED		
9.	811-236C	HH3/8R2 084 3/4FJIC 3/4MORB		
10.	811-063C	EL 3/4MJIC 3/4MORB		
11.	811-394C	CP 3/4FORB MALE QD		

Offset Hitch Assembly

Applies to RCS3596, RCSM3596



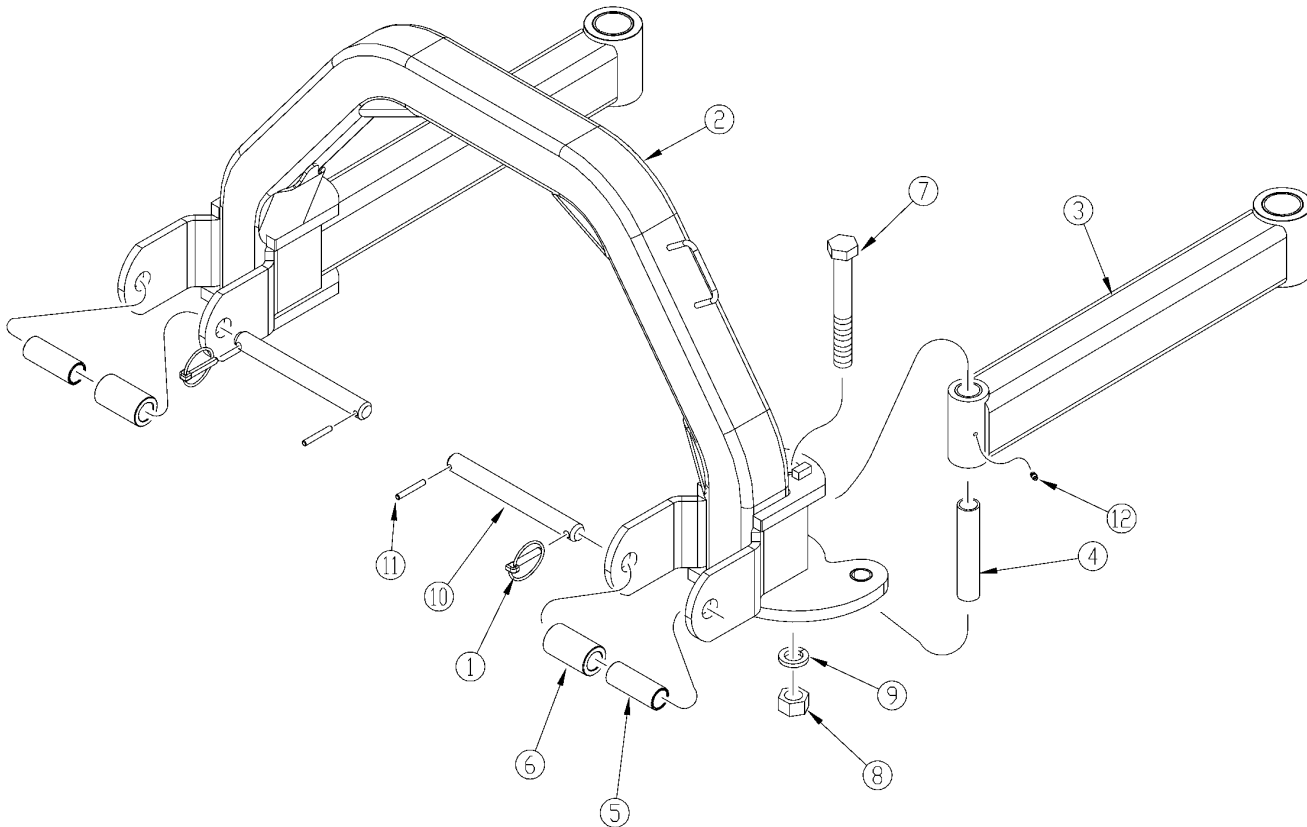
20961

Offset Hitch Assembly**Applies to RCS3596, RCSM3596**

Ref	Part No.	Part Description	Comments	Revision
		Image Reference: 20961		
1.	805-015C	PIN LYNCH 5/16 X 1 3/4		
2.	312-692H	RCS3596 OFFSET HITCH WELDMENT		
3.	312-696H	35 SERIES HYD OFF ARM WELD		
4.	326-025D	TUBE RND DOM. 1.25ODX11GWX6.13		
5.	326-047D	TUBE RND ERWF 1 1/8ODX12GWX3		
6.	326-048D	TUBE RND DOM 1 1/2ODX9/32X2.63		
7.	802-144C	HHCS 1-8X7 1/2 GR5		
8.	803-031C	NUT HEX 1-8 PLT		
9.	804-027C	WASHER LOCK SPRING 1 PLT		
10.	805-301C	PIN 1 1/8 OD X 7 1/8 USABLE		
11.	805-041C	PIN ROLL 1/4X1 3/4		
12.	800-080C	GREASE ZERK 1/4-28 THD FORMING		

Offset Hitch Assembly

Applies to RCS3510, RCSM3510



20960

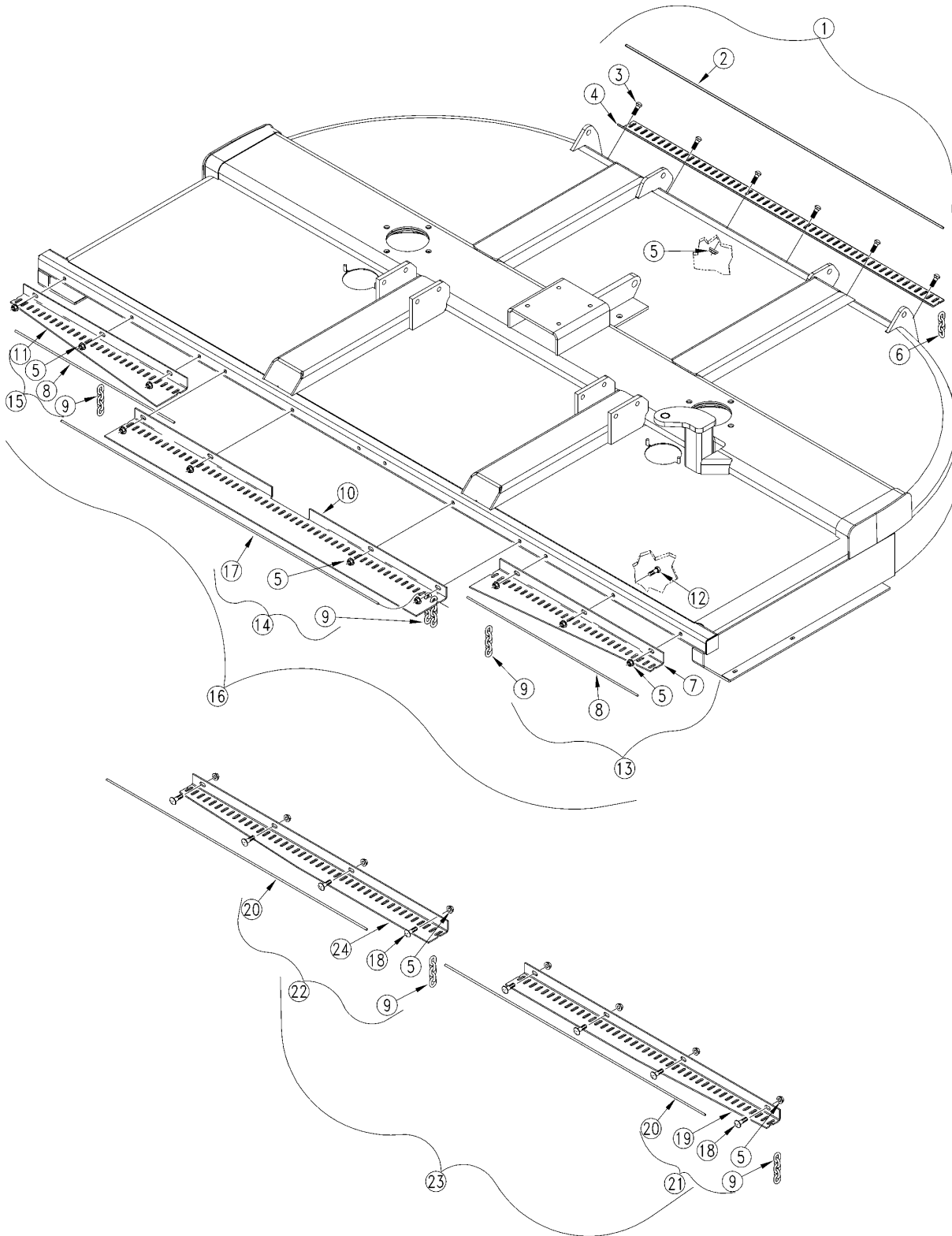
Offset Hitch Assembly

Applies to RCS3510, RCSM3510

Ref	Part No.	Part Description	Comments	Revision
		Image Reference: 20960		
1.	805-015C	PIN LYNCH 5/16 X 1 3/4		
2.	312-693H	RCS3510 OFFSET HITCH WELDMENT		
3.	312-696H	35 SERIES HYD OFF ARM WELD		
4.	326-025D	TUBE RND DOM. 1.25ODX11GWX6.13		
5.	300-429D	CAT III BUSHING		
6.	300-431D	TUBE RD 2 1/4ODX1 5/32IDX2 5/8		
7.	802-144C	HHCS 1-8X7 1/2 GR5		
8.	803-031C	NUT HEX 1-8 PLT		
9.	804-027C	WASHER LOCK SPRING 1 PLT		
10.	805-301C	PIN 1 1/8 OD X 7 1/8 USABLE		
11.	805-041C	PIN ROLL 1/4X1 3/4		
12.	800-080C	GREASE ZERK 1/4-28 THD FORMING		

Guards Chain

Applies to RCS3510, RCS3596, RCSM3510, RCSM3596



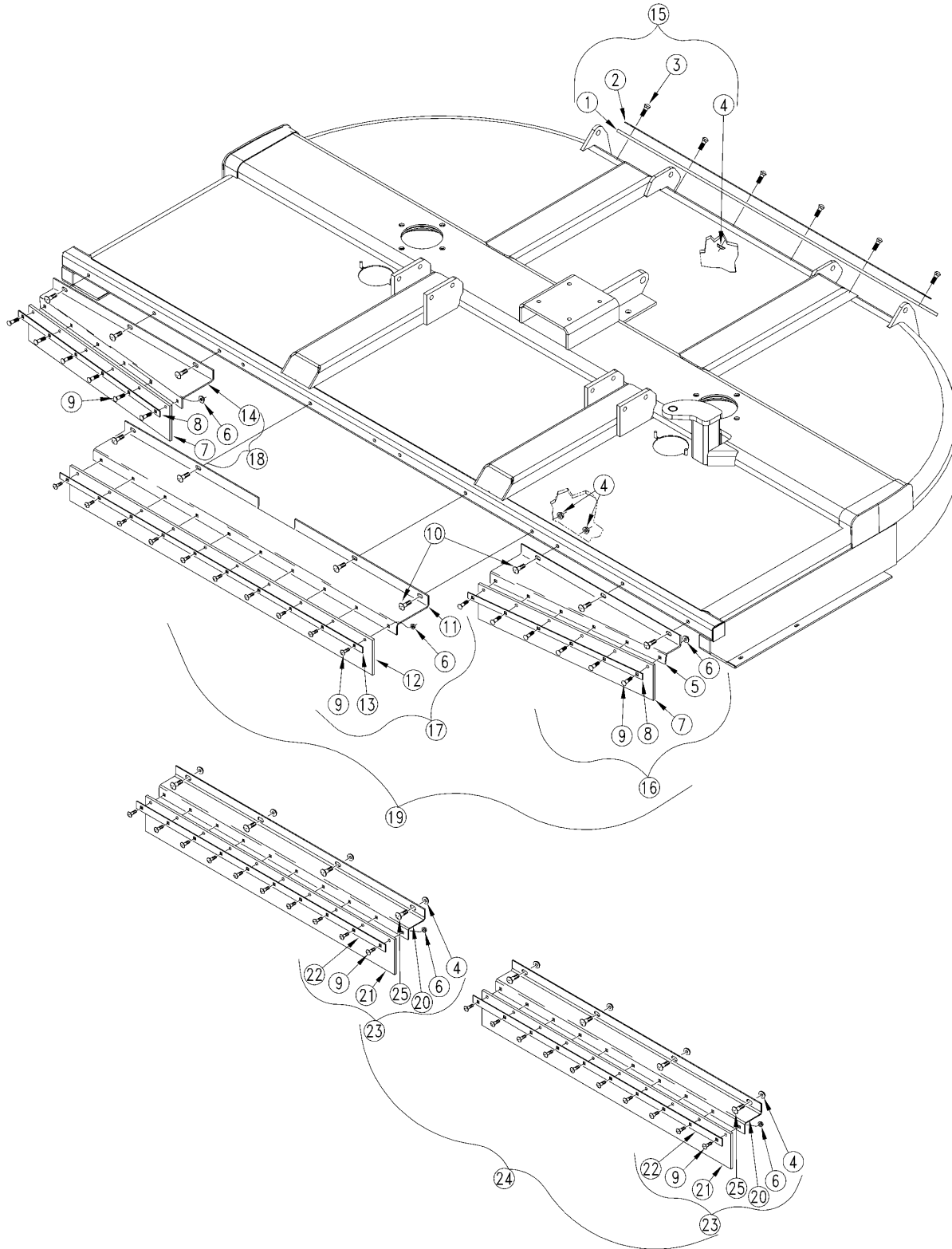
20917

Guards Chain**Applies to RCS3510, RCS3596, RCSM3510, RCSM3596**

Ref	Part No.	Part Description	Comments	Revision
		Image Reference: 20917		
1.	312-503A	3510 REAR CHAIN COMPLETE	RCS3510; Includes items 2 through 6	
1.	312-616A	96" REAR CHAIN COMPLETE	RCS3596	
2.	312-826D	ROD 1/4 X 63	RCS3510	
2.	312-942D	ROD 1/4 X 59	RCS3596	
3.	802-183C	RHSNB 1/2-13X1 GR5		
4.	312-827D	REAR CHAINGUARD BRACKET	RCS3510	
4.	312-940D	REAR CHAINGUARD BRACKET	RCS3596	
5.	803-037C	NUT HEX WHIZ 1/2-13 PLT		
6.	890-400C	CHAIN WELD 5/16 PROOF X 4 LINK		
7.	312-825D	FRT. CHAINGUARD BRACKET LH.	RCS3510	
8.	312-826D	ROD 1/4 X 63	RCS3510	
9.	890-341C	CHAIN WELD 5/16 PROOF X 5 LINK		
10.	312-823D	FRT. CHAINGUARD BRACKET CTR.	RCS3510	
11.	312-824D	FRT. CHAINGUARD BRACKET RH.	RCS3510	
12.	802-585C	RHSNB 1/2-13X3 1/2 GR5 PLT	RCS3510	
13.	312-539K	ASSY.FTR.CTR.OUTER LH. CG.	RCS3510; Includes items 5, 7, 8, 9 & 12	
14.	312-537K	ASSY. FRONT CENTER CHAINGUARD	RCS3510; Includes items 2, 5, 9, 10 & 12	
15.	312-538K	ASSY.FRT.CTR.OUTER RH. CG.	RCS3510; Includes items 5, 8, 9, 11 & 12	
16.	312-502A	3510 FRONT CHAIN COMPLETE	RCS3510; Includes items 13, 14 & 15	
17.	312-826D	ROD 1/4 X 63	RCS3510	
18.	802-440C	RHSNB 1/2-13X2 3/4 GR5	RCS3596	
19.	326-070D	96 FRONT CHAIN GUARD LH	RCS3596	
20.	312-943D	ROD 1/4 X 51	RCS3596	
21.	312-723K	96SS FRONT CHAIN GUARD LH ASSY.	RCS3596	
22.	312-722K	96SS FRONT CHAIN GUARD RH ASSY.	RCS3596	
23.	312-720A	RCS3596 FRONT CHAIN COMPLETE	RCS3596	
24.	326-069D	96 FRONT CHAIN GUARD RH	RCS3596	

Guards Rubber

Applies to RCS3510, RCS3596, RCSM3510, RCSM3596



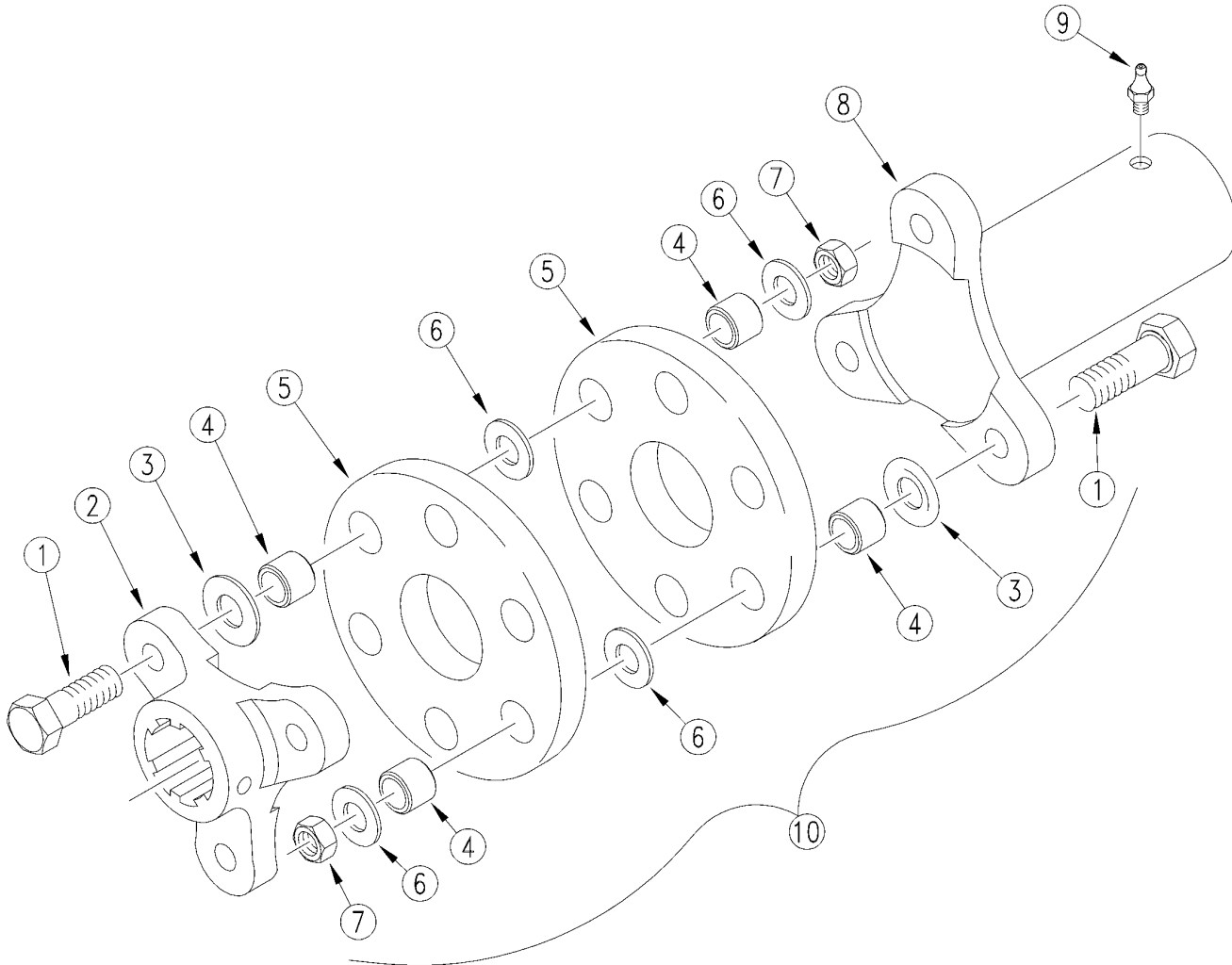
20918

Guards Rubber**Applies to RCS3510, RCS3596, RCSM3510, RCSM3596**

Ref	Part No.	Part Description	Comments	Revision
		Image Reference: 20918		
1.	816-274C	REAR RUBBER DEFLECTOR	RCS3510	
1.	816-299C	REAR RUBBER DEFLECTOR	RCS3596	
2.	312-836D	REAR DEFLECTOR STRAP	RCS3510	
2.	312-936D	DEFLECTOR STRAP	RCS3596	
3.	802-106C	RHSNB 1/2-13X1 1/2 GR5		
4.	803-037C	NUT HEX WHIZ 1/2-13 PLT		
5.	312-832D	FRT. DEFLECTOR BRACKET LH.	RCS3510	
6.	803-198C	NUT HEX WHIZ 3/8-16 PLT		
7.	816-273C	FRT. OUTER RUBBER DEFLECTOR	RCS3510	
8.	312-835D	FRT.OUTER DEFLECTOR STRAP	RCS3510	
9.	802-155C	RHSNB 3/8-16X1 1/4 GR5		
10.	802-585C	RHSNB 1/2-13X3 1/2 GR5 PLT		
11.	312-830D	FRT. DEFLECTOR BRACKET CTR.	RCS3510	
12.	816-272C	FRT. CTR. RUBBER DEFLECTOR	RCS3510	
13.	312-834D	FRT.CTR.DEFLECTOR STRAP	RCS3510	
14.	312-831D	FRT. DEFLECTOR BRACKET RH.	RCS3510	
15.	312-505A	3510 REAR RUBBER COMPLETE	RCS3510; Includes items 1 through 4	
15.	312-618A	96" REAR RUBBER COMPLETE	RCS3596	
16.	312-546K	ASSY. FRT. OUTER DEFLECTOR LH	RCS3510; Includes items 4 through 10	
17.	312-544K	ASSY. FRT.CTR.DEFLECTOR	RCS3510; Includes items 4, 6 and 9 through 13	
18.	312-545K	ASSY. FRT. OUTER DEFLECTOR RH	RCS3510; Includes items 4, 6 through 10 and 14	
19.	312-504A	3510 FRONT RUBBER COMPLETE	RCS3510; Includes items 16, 17 & 18	
20.	326-071D	96 FRONT RUBBER DEFLECT	RCS3596	
21.	816-300C	FRONT RUBBER DEFLECTOR	RCS3596	
22.	312-937D	DEFLECTOR STRAP	RCS3596	
23.	312-724K	96SS FRONT RUBBER DEFLECT ASSY	RCS3596; Includes items 4, 6, 9, 10, 20, 21 & 22	
24.	312-721A	RCS3596 FRONT RBBR COMPLETE		
25.	802-440C	RHSNB 1/2-13X2 3/4 GR5	RCS3596	

Driveline Flex Coupler (826-224C) Eurocardan

Applies to RCS3596, RCSM3596



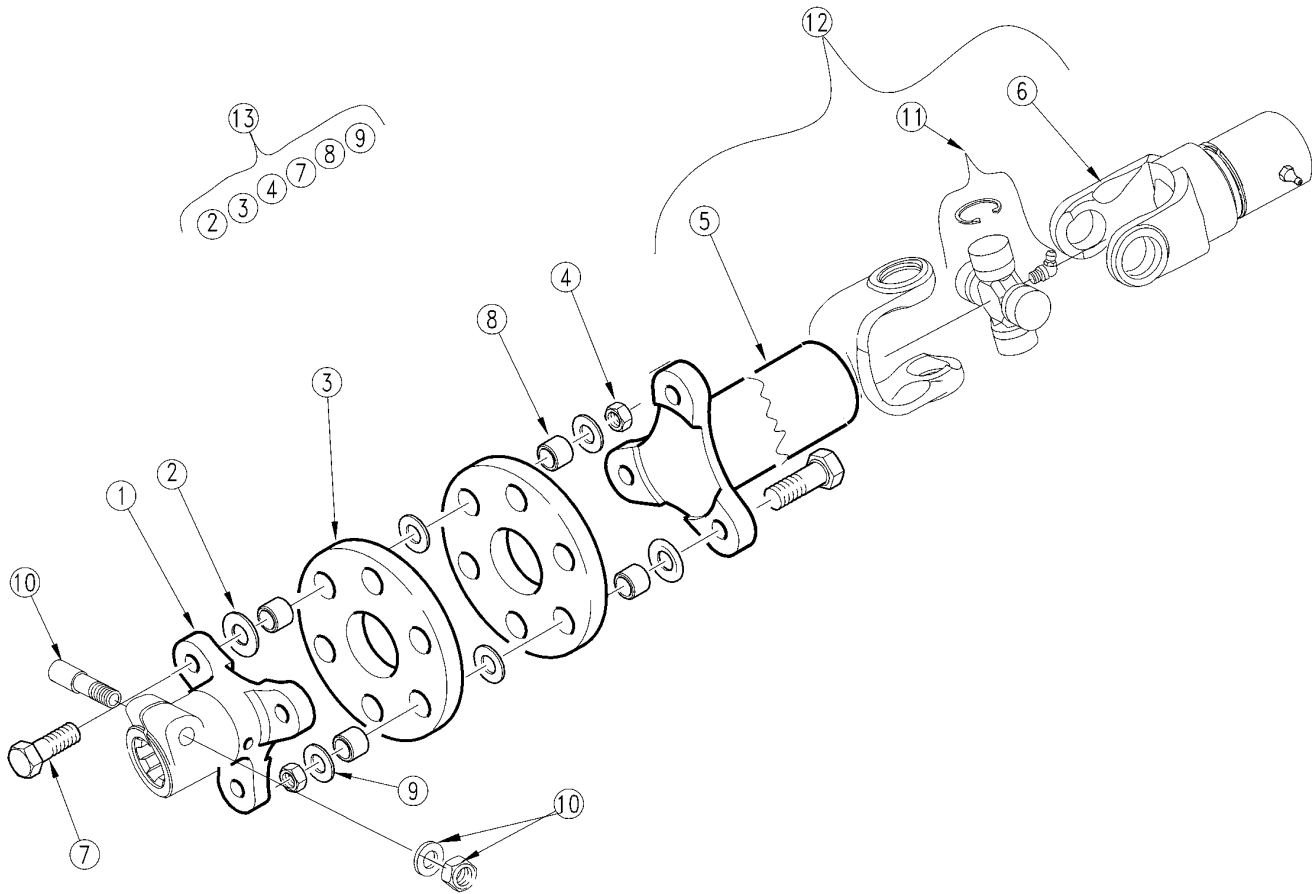
16886

Driveline Flex Coupler (826-224C) Eurocardan**Applies to RCS3596, RCSM3596**

Ref	Part No.	Part Description	Comments	Revision
	826-224C	Image Reference: 16886 FLEX COUPLER 1 3/4-20 (9.21)		
1.		EC BOLT	Only sold in kit #10	
2.	1705278	EC SPIDER 1 3/4-20 W/TAP HOLE		
3.		EC WSH. BD. 35mm O.D/16.5mm I.D	Only sold in kit #10	
4.		EC BOLT BUSHING	Only sold in kit #10	
5.	1785273	EC RUBBER DISC	Can be ordered seperately	
6.		EC WASHER 29.8mm O.D/17.2mm I.D	Only sold in kit #10	
7.		EC NUT	Only sold in kit #10'	
8.	1005220	EC SPIDER TUBE		
9.	6560208	EC GREASE ZERK M8 STRAIGHT		
10.	312-608A	FLEX COUPLER KIT	Includes items 1, 3, 4, 6 & 7	

Driveline Flex Coupler (826-334C) Eurocardan

Applies to RCS3510, RCSM3510



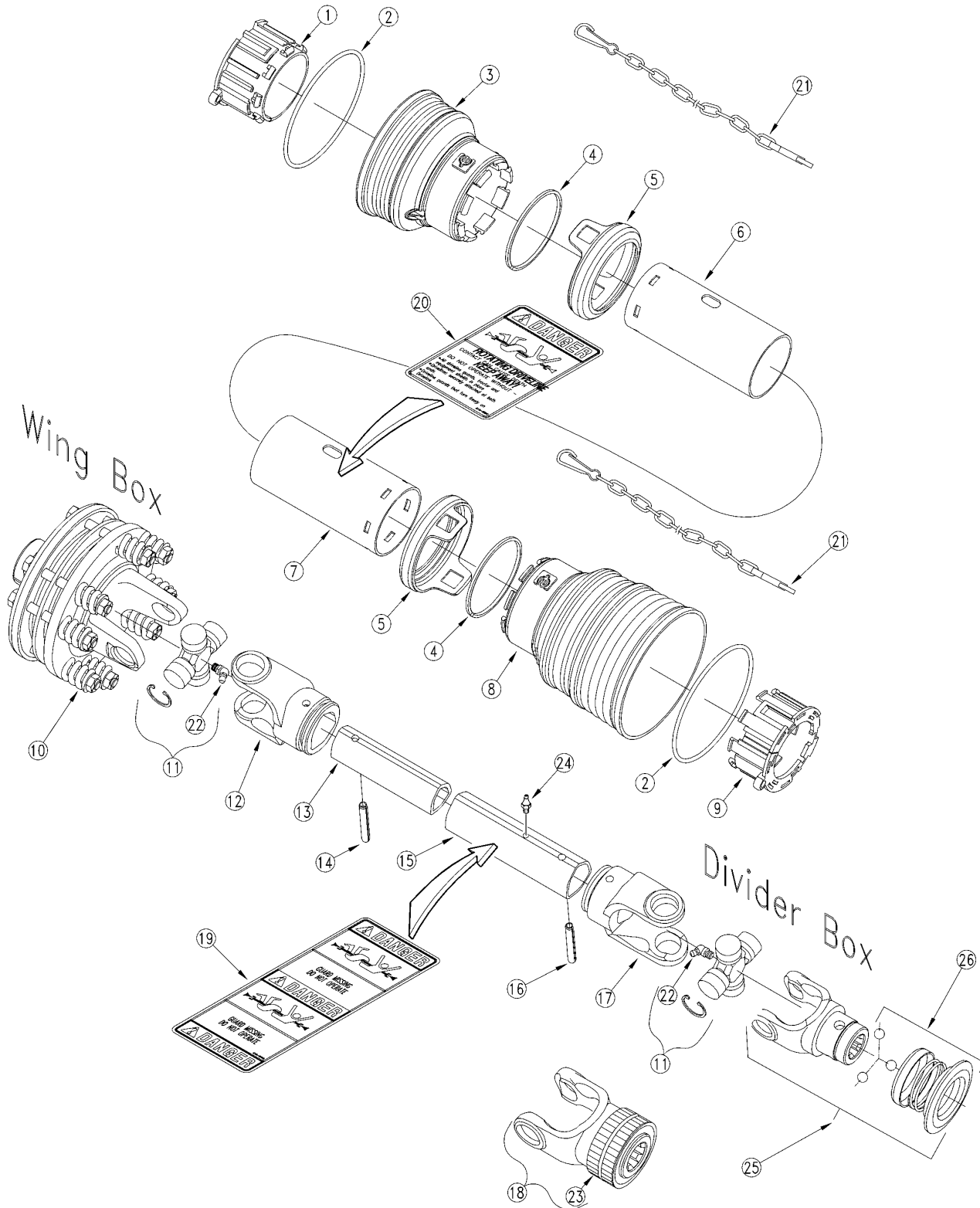
21263

Driveline Flex Coupler (826-334C) Eurocardan**Applies to RCS3510, RCSM3510**

Ref	Part No.	Part Description	Comments	Revision
	826-334C	Image Reference: 21263 FLEX COUPLER 1 3/4-20 (16.44)		
1.	1705267	EC CONNECTION HUB		
2.	1235287	EC WSH. BD. 35mm O.D/16.5mm I.D		
3.	1785273	EC RUBBER DISC		
4.	6410716	EC NUT		
5.	1005238	EC FLANGE WLDMT.		
6.	1708072	EC YOKE 1.75-20 INDUCT. HARD		
7.	6141680	EC BOLT		
8.	1535275	EC BOLT BUSHING		
8.	1535287	REP BY 1535275		
9.	6412016	EC WASHER 29.8mm O.D/17.2mm I.D		
10.	6821484	CONICAL DOG KIT		
11.	1008020	EXTERNAL CROSS SERIES 8		
12.	1005239	EC FLANGE WLDMT./CROSS/YOKE		
13.	312-608A	FLEX COUPLER KIT	Includes items 2, 3, 4, 7, 8, 9	

Driveline Lift Type Cutter 1000 RPM (826-216C) Eurocardan

Applies to RCSM3510



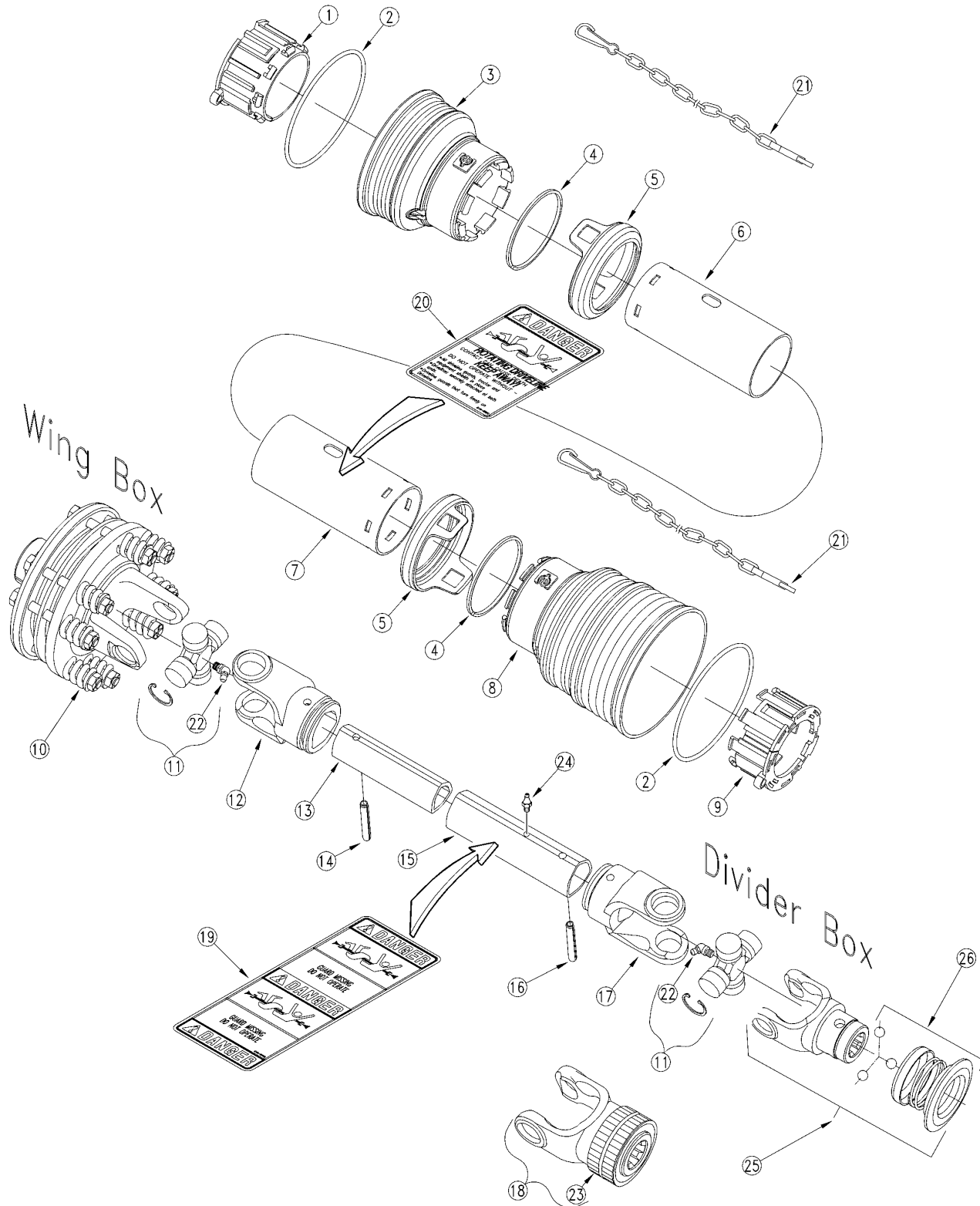
22283

Driveline Lift Type Cutter 1000 RPM (826-216C) Eurocardan**Applies to RCSM3510**

Ref	Part No.	Part Description	Comments	Revision
	826-216C	Image Reference: 22283 PTO STD.W/2-PLATE SC CAT4 1000		
1.	1786711	EC TUBE BEARING (INNER TUBE)		
2.	1215733	EC STIFFENING RING		
3.	1885702	EC SHORT CONE		
4.	1215735	EC STOP RING		
5.	1885709	EC SAFETY SLEEVE		
6.	1877067	EC INNER TUBE SHEILD		
7.	1876067	EC OUTER TUBE SHEILD		
8.	1885703	EC STANDARD CONE		
9.	1786710	EC TUBE BEARING (OUTER TUBE)		
10.	1406016	EC CLUTCH FD2/6 1 3/4 20 SPL		
11.	1006020	EC CROSS ASSEMBLY		
12.	1706029	EC INNER TUBE YOKE		
13.	1526077	EC INNER TUBE 770MM		
14.	6331070	EC 10X70 ROLL PIN		
15.	1528077	EC OUTER TUBE 770MM		
16.	6331080	EC 10X80-DIN-1481 O/TUBE R/PIN		
17.	1706027	EC OUTER TUBE YOKE		
18.	1016015	EC YOKE ASSEMBLY (TRACT. END)		
19.	818-540C	DECAL DANGER GUARD MISS PTO		
20.	818-552C	DECAL DANGER PTO DRIVELINE		
21.	044321	DRIVELINE SHIELD SAFETY CHAIN		
22.	6560508	EC GREASE ZERK 8X1 45 DEG.		
23.	1004220	EC TWIST COLLAR KIT (TRT. END)		
24.	6560006	EC GREASE ZERK M6X1 STRAIGHT		
25.	1016017	EC YOKE ASSEMBLY (TRACTOR END)		
26.	1004225	EC PULL COLLAR KIT		

Driveline Lift Type Cutter 1000 RPM (826-258C) Eurocardan

Applies to RCSM3596



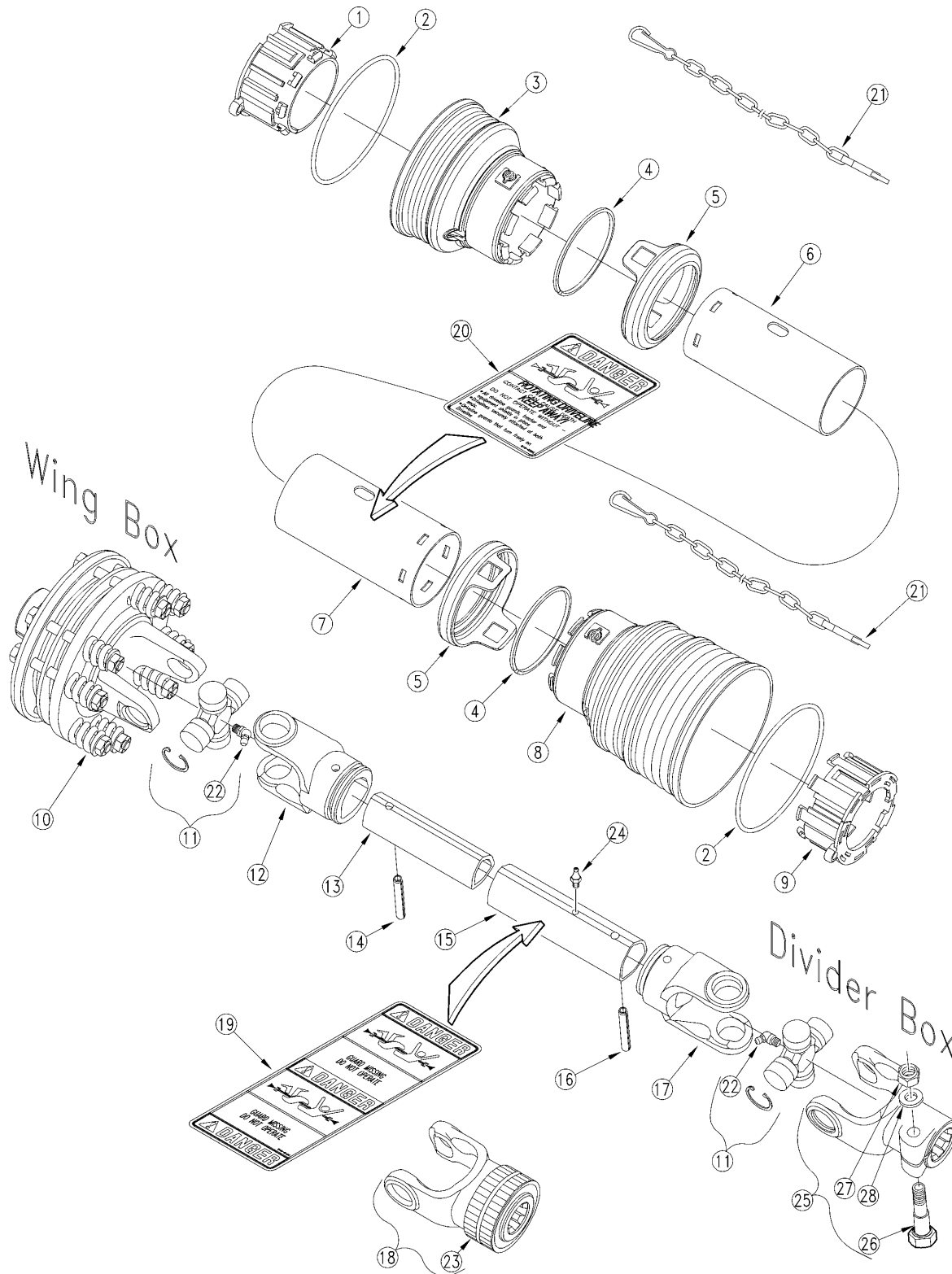
22283

Driveline Lift Type Cutter 1000 RPM (826-258C) Eurocardan**Applies to RCSM3596**

Ref	Part No.	Part Description	Comments	Revision
	826-258C	Image Reference: 22283 PTO STD.W/2-PLATE SC CAT4 1000		
1.	1786711	EC TUBE BEARING (INNER TUBE)		
2.	1215733	EC STIFFENING RING		
3.	1885702	EC SHORT CONE		
4.	1215735	EC STOP RING		
5.	1885709	EC SAFETY SLEEVE		
6.	1877052	EC INNER TUBE SHEILD		
7.	1876052	EC OUTER TUBE SHEILD		
8.	1885703	EC STANDARD CONE		
9.	1786710	EC TUBE BEARING (OUTER TUBE)		
10.	1406016	EC CLUTCH FD2/6 1 3/4 20 SPL		
11.	1006020	EC CROSS ASSEMBLY		
12.	1706029	EC INNER TUBE YOKE		
13.	1526062	EC INNER TUBE (1526084) 620MM		
14.	6331070	EC 10X70 ROLL PIN		
15.	1528062	EC OUTER TUBE (1528084) 620MM		
16.	6331080	EC 10X80-DIN-1481 O/TUBE R/PIN		
17.	1706027	EC OUTER TUBE YOKE		
18.	1016015	EC YOKE ASSEMBLY (TRACT. END)		
19.	818-540C	DECAL DANGER GUARD MISS PTO		
20.	818-552C	DECAL DANGER PTO DRIVELINE		
21.	044321	DRIVELINE SHIELD SAFETY CHAIN		
22.	6560508	EC GREASE ZERK 8X1 45 DEG.		
23.	1004220	EC TWIST COLLAR KIT (TRT. END)		
24.	6560006	EC GREASE ZERK M6X1 STRAIGHT		
25.	1016017	EC YOKE ASSEMBLY (TRACTOR END)		
26.	1004225	EC PULL COLLAR KIT		

Driveline Lift Type Cutter 540 RPM (826-215C) Eurocardan

Applies to RCS3510, RCS3596



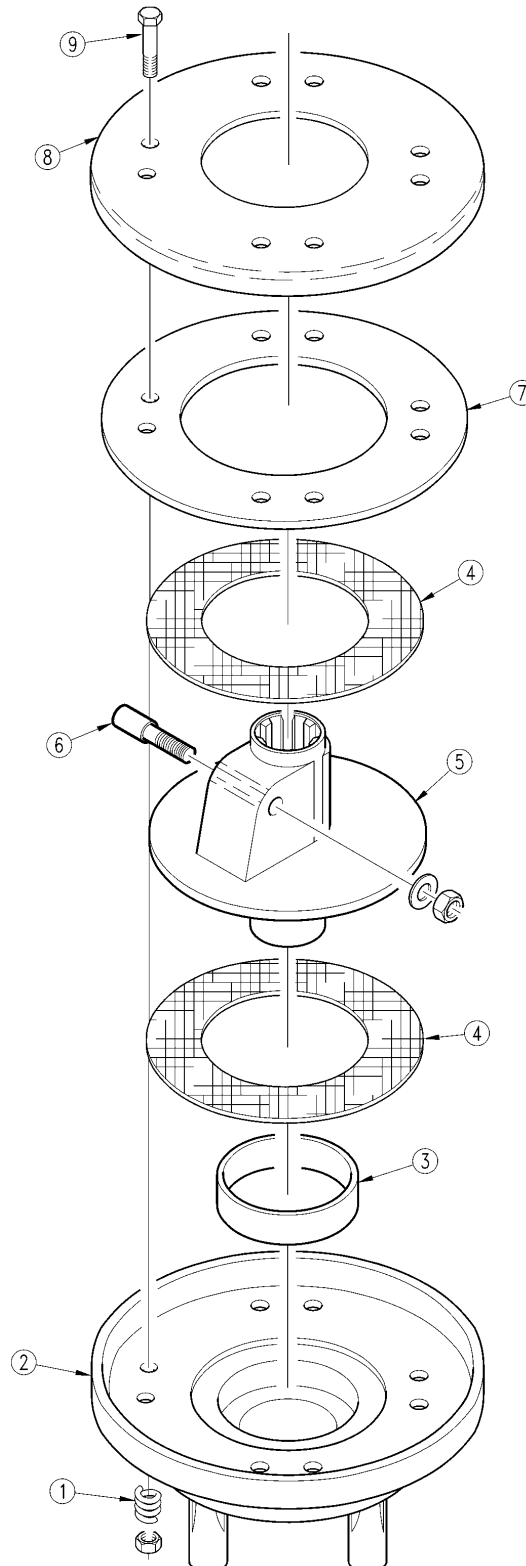
16366

Driveline Lift Type Cutter 540 RPM (826-215C) Eurocardan**Applies to RCS3510, RCS3596**

Ref	Part No.	Part Description	Comments	Revision
	826-215C	Image Reference: 16366 PTO STD.W/4-PLATE SC CAT4 540		
1.	1786711	EC TUBE BEARING (INNER TUBE)		
2.	1215733	EC STIFFENING RING		
3.	1885702	EC SHORT CONE		
4.	1215735	EC STOP RING		
5.	1885709	EC SAFETY SLEEVE		
6.	1877067	EC INNER TUBE SHEILD		
7.	1876067	EC OUTER TUBE SHEILD		
8.	1885703	EC STANDARD CONE		
9.	1786710	EC TUBE BEARING (OUTER TUBE)		
10.	1446016	EC CLUTCH FD4/6 1 3/4 20 SPL		
11.	1006020	EC CROSS ASSEMBLY		
12.	1706029	EC INNER TUBE YOKE		
13.	1526077	EC INNER TUBE 770MM		
14.	6331070	EC 10X70 ROLL PIN		
15.	1528077	EC OUTER TUBE 770MM		
16.	6331080	EC 10X80-DIN-1481 O/TUBE R/PIN		
17.	1706027	EC OUTER TUBE YOKE		
18.	1016012	YOKE ASSEMBLY PULL TYPE		
18.	1016010	RPBY 1016012		
19.	818-540C	DECAL DANGER GUARD MISS PTO		
20.	818-552C	DECAL DANGER PTO DRIVELINE		
21.	044321	DRIVELINE SHIELD SAFETY CHAIN		
22.	6560508	EC GREASE ZERK 8X1 45 DEG.		
23.	1004220	EC TWIST COLLAR KIT (TRT. END)	Shown	
23.	1004225	EC PULL COLLAR KIT		
24.	6560006	EC GREASE ZERK M6X1 STRAIGHT		
25.	1106025	EC YOKE		
26.	6761480	EC BOLT	Includes 27,28	
27.	6410114	EC SCREW NUT (M14)		
28.	6412114	EC WASHER (d14)		

Driveline Slip Clutch (1000 RPM) (1406016) Ecurocardan

Applies to RCSM3510, RCSM3596



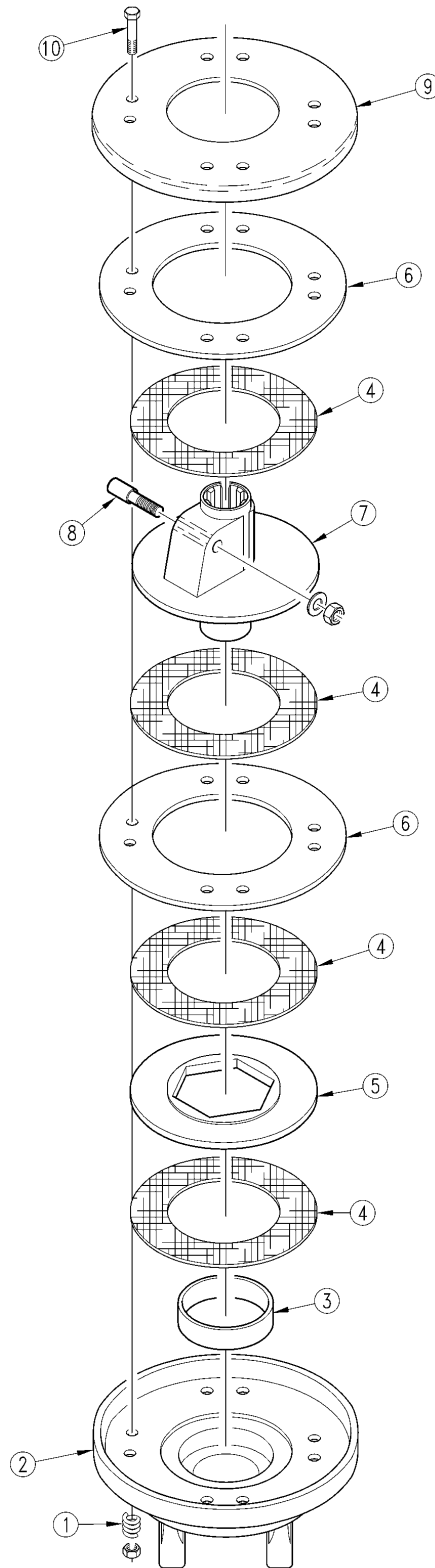
15523

Driveline Slip Clutch (1000 RPM) (1406016) Ecurocardan**Applies to RCSM3510, RCSM3596**

Ref	Part No.	Part Description	Comments	Revision
	1406016	Image Reference: 15523 EC CLUTCH FD2/6 1 3/4 20 SPL		
1.	1215012	EC CLUTCH SPRING		
2.	1706033	EC CLUTCH YOKE W/FLANGE		
3.	1705009	EC CLUTCH BUSHING		
4.	1808010	EC CLUTCH LINING RING		
5.	1708017	EC HUB WITH FLANGE		
6.	6821483	EC CONICAL DOG KIT REPLACEMENT		
7.	1138008	EC INNER DISK		
8.	1138007	EC PRESSURE DISK		
9.	6691080	EC COMPLETE BOLT		

Driveline Slip Clutch (540 RPM) (1446016) Ecurcardan

Applies to RCS3510, RCS3596



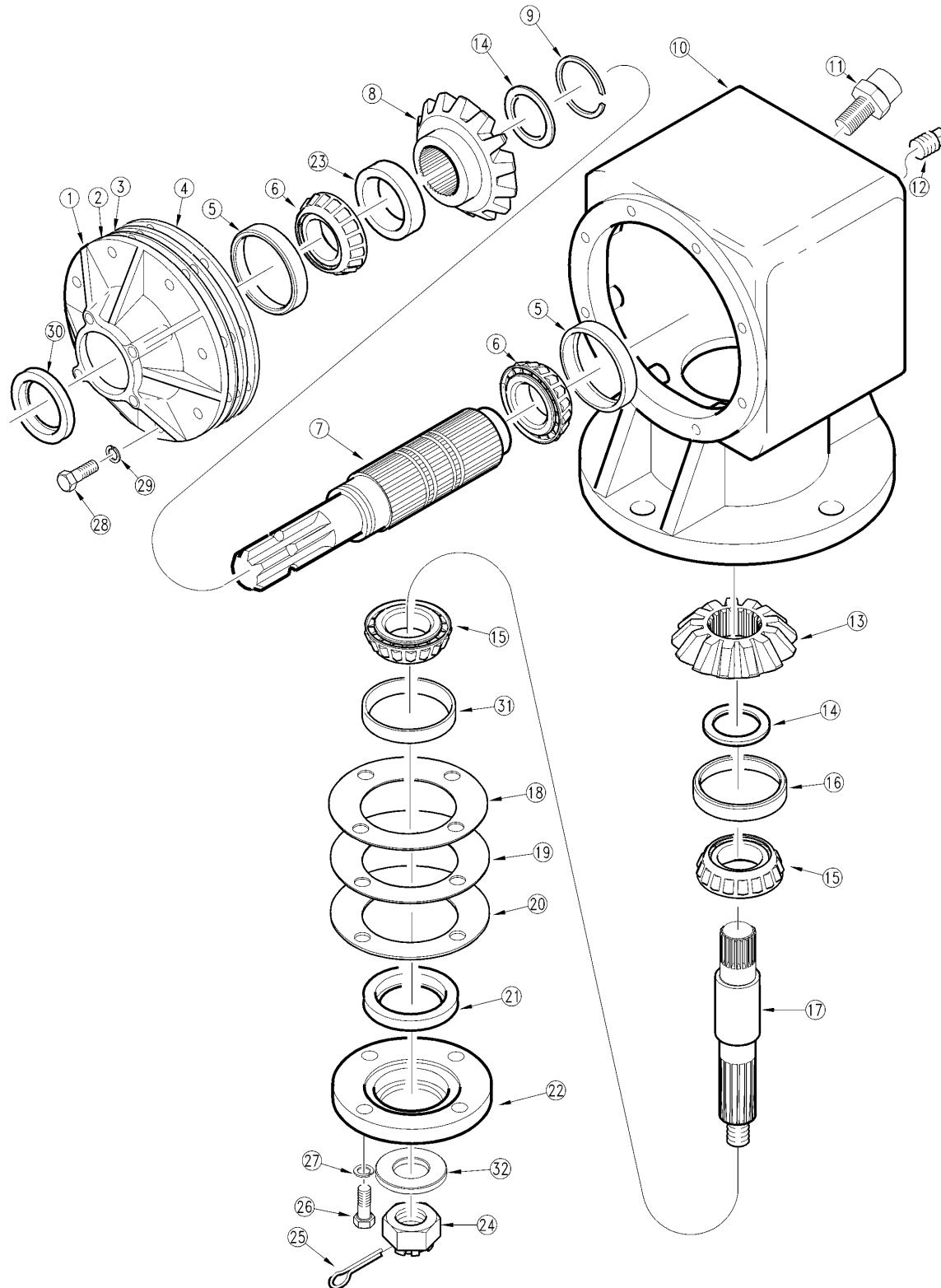
15521

Driveline Slip Clutch (540 RPM) (1446016) Ecurcardan**Applies to RCS3510, RCS3596**

Ref	Part No.	Part Description	Comments	Revision
	1446016	Image Reference: 15521 EC CLUTCH FD4/6 1 3/4 20 SPL		
1.	1215012	EC CLUTCH SPRING		
2.	1706033	EC CLUTCH YOKE W/FLANGE		
3.	1705009	EC CLUTCH BUSHING		
4.	1808010	EC CLUTCH LINING RING		
5.	1708034	EC CLUTCH MIDDLE DISK		
6.	1138008	EC INNER DISK		
7.	1708016	EC HUB WITH FLANGE		
8.	6821483	EC CONICAL DOG KIT REPLACEMENT		
9.	1138007	EC PRESSURE DISK		
10.	6691010	EC BOLT & SCREW NUT KIT REPL.		

Gearbox (826-217C) OMNI (S/N 378193-)

Applies to RCS3510, RCS3596, RCSM3510, RCSM3596



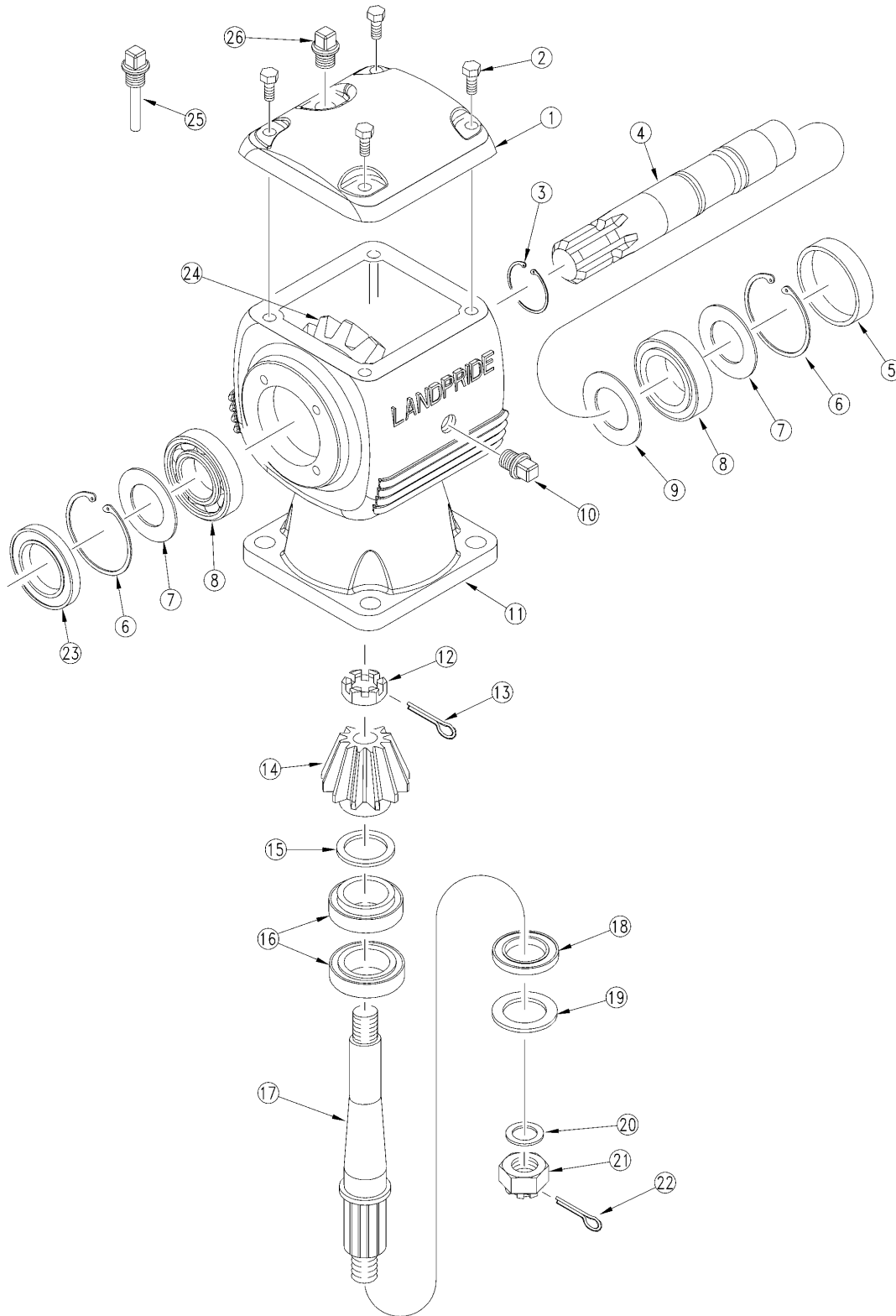
15740

Gearbox (826-217C) OMNI (S/N 378193-)**Applies to RCS3510, RCS3596, RCSM3510, RCSM3596**

Ref	Part No.	Part Description	Comments	Revision
	826-217C	Image Reference: 15740 GBOX RC71SS 1.75-20 1:1.46		
1.	020162	OMNI INPUT CAP		
2.	070140	OMNI GASKET 0.30MM		
3.	070141	OMNI GASKET 0.15MM		
4.	070142	OMNI GASKET 0.10MM		
5.	050013	OMNI BEARING CUP - LM 603014		
6.	050012	OMNI BEARING CONE -LM603049		
7.	040136	OMNI INPUT SHAFT 1 3/4"- 20		
8.	030039	INPUT GEAR - 19 T., OMNI		
9.	200003	OMNI RETAINING RING		
10.	010160	OMNI HOUSING RC71SS		
11.	140033	OMNI PLUG VENT 1/2-14 NPTF		
12.	140017	OMNI PLUG PIPE SQ HD1/8-27NPTF		
13.	030038	OUTPUT PINION - 13 T., OMNI		
14.	090073	OMNI SHIM .25		
15.	050008	OMNI BEARING CONE - 368		
16.	050014	BEARING CUP - 362A, OMNI		
17.	040112	OUTPUT SHAFT, OMNI		
18.	070143	OMNI GASKET 0.30MM		
19.	070144	OMNI GASKET 0.15MM		
20.	070145	OMNI GASKET 0.10MM		
21.	060004	OMNI OUTPUT SEAL		
22.	020005	OMNI OUTPUT CAP		
23.	090055	SPACER, OMNI 1:1.46 & 1:1.93		
24.	803-095C	NUT HEX SLOTTED 1-14		
25.	805-017C	PIN COTTER 3/16 X 1 3/4 PLT		
26.	802-091C	HHCS 1/2-13X1 1/2 GR5		
27.	804-015C	WASHER LOCK SPRING 1/2 PLT		
28.	802-079C	HHCS 3/8-16X1 1/4 GR5		
29.	804-013C	WASHER LOCK SPRING 3/8 PLT		
30.	060051	OMNI THRU SHAFT SEAL		
31.	050015	BEARING CUP - 362, OMNI		
32.	804-070C	FLAT WASHER 1 SPECIAL		

Gearbox (826-378C) OMNI (S/N 378194+)

Applies to RCS3510, RCS3596, RCSM3510, RCSM3596



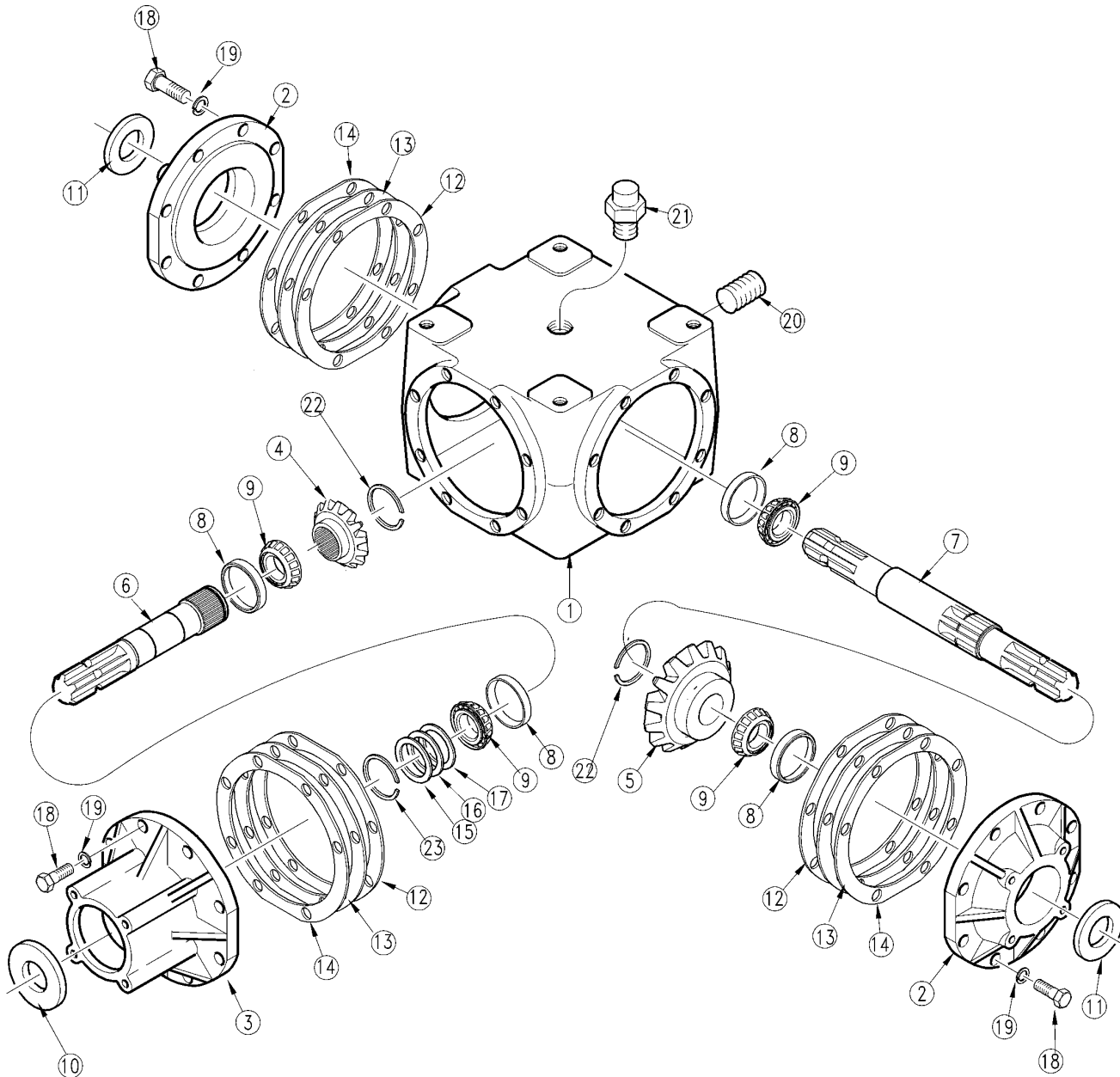
20931

Gearbox (826-378C) OMNI (S/N 378194+)**Applies to RCS3510, RCS3596, RCSM3510, RCSM3596**

Ref	Part No.	Part Description	Comments	Revision
		Image Reference: 20931		
	826-378C	Gearbox OMNI		
1.	0.210.1300.00	CO COVER		
2.	8.1.1.00501	CO BOLT M8X22 HHB		
3.	8.5.1.00533	CO SNAP RING 50 UNI7435		
4.	0.210.2001.00	CO INPUT SHAFT 1.75-20		
5.	0.121.7101.00	CO CAP		
6.	8.5.2.00332	CO SNAP RING UNI 7437		
7.	0.709.7500.00	CO SHIM 84.7		
8.	8.0.9.00143	CO BEARING 30209 RTA25		
9.	0.252.7525.00	CO SHIM 45.3X2.5		
10.	8.6.6.00201	CO PLUG 3/8 GAS		
11.	0.210.0300.00	CO CASTING & MACHINE		
12.	0.132.7106.00	CO NUT M30 X 1.5		
13.	8.4.7.02265	CO COTTER PIN B 5X60		
14.	0.210.5001.00	CO PINION Z16 M6		
15.	0.712.7500.00	CO SHIM 50.3X70.3		
16.	04-011	ITG BEARING ASSEMBLY		
17.	0.210.3001.00	CO OUTPUT SHAFT		
18.	8.7.1.01107	CO SEAL (50x90x10)		
19.	0.139.7100.00	CO SEAL RETAINER		
20.	0.139.7101.00	CO BLANK WASHER		
21.	8.2.2.00555	CO NUT, CASTLE M30 X 2		
22.	8.4.7.00146	CO COTTER PIN B6 X 60		
23.	8.7.3.00331	CO OIL SEAL 45 X 85 X 10		
24.	0.210.6001.00	CO GEAR CROWN Z23 M6		
25.	0.210.7100.00	CO 3/8 GAS OIL VENT LEVEL PG.		
26.	8.6.5.00006	CO OIL PLUG 3/8		

Gearbox (T-Box) 1000 RPM (826-219C) OMNI

Applies to RCSM3510, RCSM3596



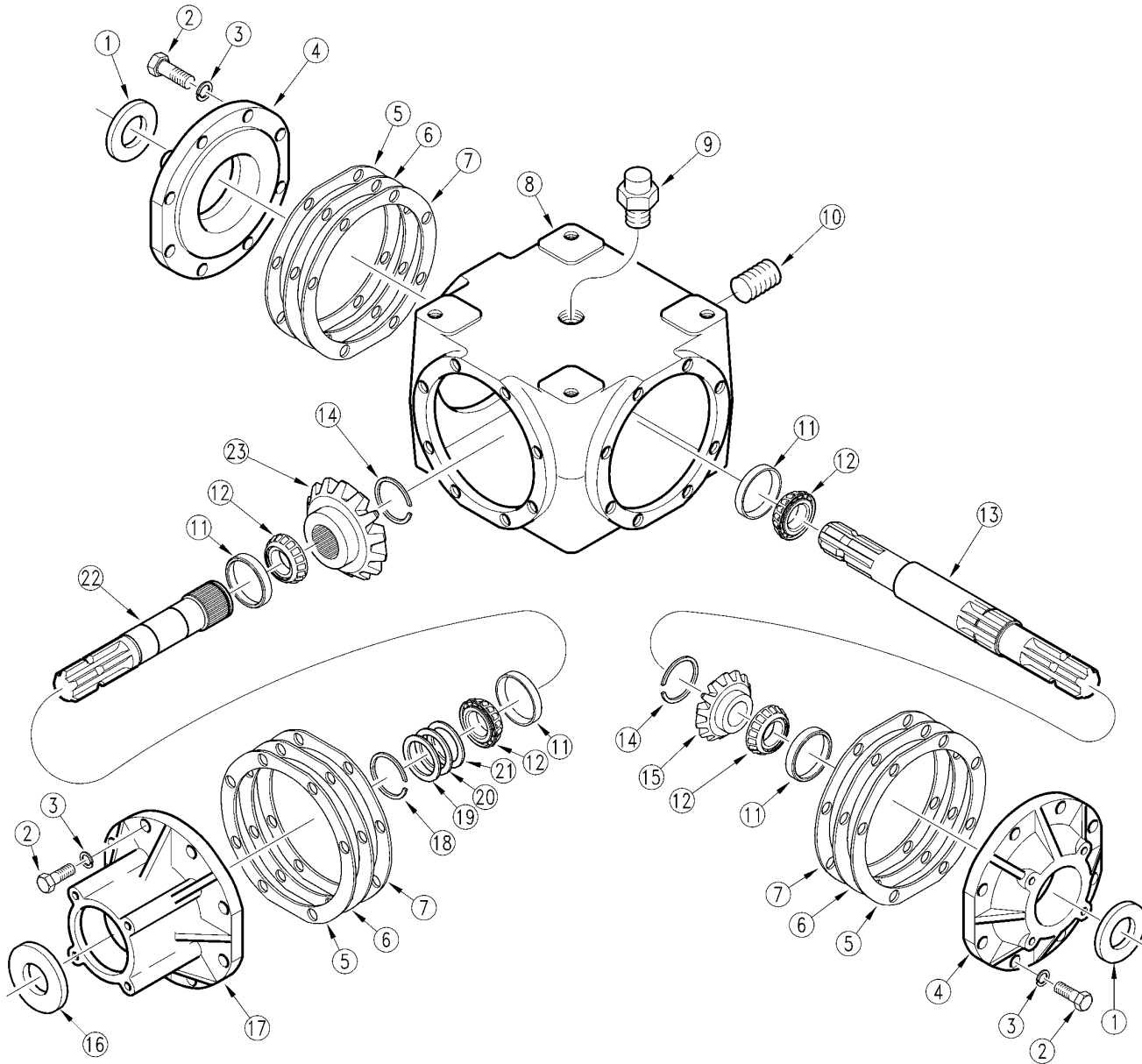
21262

Gearbox (T-Box) 1000 RPM (826-219C) OMNI**Applies to RCSM3510, RCSM3596**

Ref	Part No.	Part Description	Comments	Revision
	826-219C	Image Reference: 21262 T-BOX 500 SER. 1.75-20 1.35:1		
1.	010116	OMNI HOUSING		
2.	020271	OMNI CAP THRU		
3.	020272	OMNI CAP CANTILEVERED		
4.	030307	OMNI PINION, 17T (1.35)		
5.	030308	OMNI GEAR, 23T (1.35)		
6.	040340	OMNI SHAFT, INPUT 1.75-20 SPLN		Rev. 2
6.	030340	REP BY 040340		Rev 1; Use up stock
7.	040341	OMNI SHAFT, CROSS, SPLINED		Rev. 2
7.	030341	REP BY 040341		Rev 1; Use up stock
8.	050266	OMNI BEARING CUP 33209		
9.	050267	OMNI BEARING CONE 33209		
10.	060163	OMNI SEAL 85.83X44.45X9.53mm		
11.	060164	OMNI SEAL 76.38X44.45X9.53mm		
12.	070215	OMNI GASKET, 0.1MM		
13.	070216	OMNI GASKET, 0.2MM		
14.	070217	OMNI GASKET, 0.5MM		
15.	090201	OMNI SHIM, INPUT 0.1MM		
16.	090202	OMNI SHIM, INPUT 0.2MM		
17.	090203	OMNI SHIM, INPUT 0.3MM		
18.	802-079C	HHCS 3/8-16X1 1/4 GR5		Rev. 2
18.	110001	RPBY 802-079C		Rev 1; Use up stock
19.	130000	OMNI LOCKWASHER 3/8		
20.	140004	OMNI PLUG, SOCKET HD. 1/2 PIPE		
21.	8.6.7.00269	CO 1/2" GAS BREATHER PLUG		Rev. 2
21.	140033	REP BY 8.6.7.00269		Rev 1; Use up stock
22.	200003	OMNI RETAINING RING		
23.	200006	OMNI RETAINING RING		

Gearbox (T-Box) 540 RPM (826-218C) OMNI

Applies to RCS3510, RCS3596



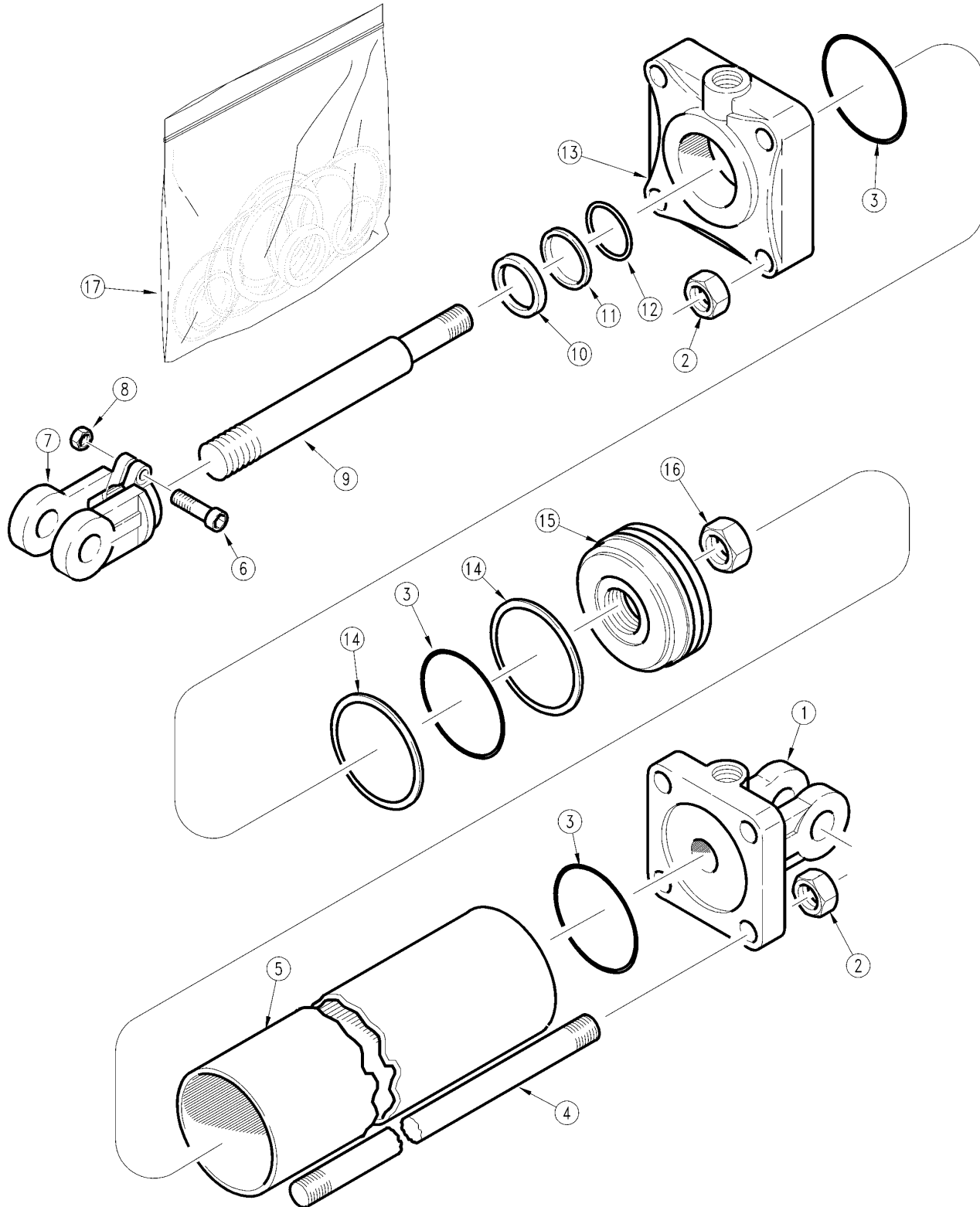
16135

Gearbox (T-Box) 540 RPM (826-218C) OMNI**Applies to RCS3510, RCS3596**

Ref	Part No.	Part Description	Comments	Revision
		Image Reference: 16135		
	826-218C	T-BOX 500 SER. 1.75-20 1:1.35		
1.	060131	OMNI SEAL 82.78X44.45X9.53mm	Used with cup 020180 & 050038 & cone 050039	
1.	060164	OMNI SEAL 76.38X44.45X9.53mm	Used with cup 020271 & 050266 & cone 050267	
2.	802-079C	HHCS 3/8-16X1 1/4 GR5		Rev. 2
2.	110001	RPBY 802-079C		Rev 1; Use up stock
3.	130000	OMNI LOCKWASHER 3/8"		
4.	020180	OMNI CAP, THRU		
4.	020271	OMNI CAP THRU		
5.	070215	OMNI GASKET, 0.1MM		
6.	070216	OMNI GASKET, 0.2MM		
7.	070217	OMNI GASKET, 0.5MM		
8.	010116	OMNI HOUSING		
9.	8.6.7.00269	CO 1/2" GAS BREATHER PLUG		Rev. 2
9.	140033	REP BY 8.6.7.00269		Rev 1; Use up stock
10.	140004	OMNI PLUG, SOCKET HD. 1/2 PIPE		
11.	050038	OMNI BEARING, CUP 3720		
11.	050266	OMNI BEARING CUP 33209		
12.	050039	OMNI BEARING, CONE 3782		
12.	050267	OMNI BEARING CONE 33209		
13.	040341	OMNI SHAFT, CROSS, SPLINED		Rev. 2
13.	030341	REP BY 040341		Rev 1; Use up stock
14.	200003	OMNI RETAINING RING		
15.	030307	OMNI PINION, 17T (1.35)		
16.	060132	OMNI SEAL 95.48X44.45X9.53mm		
16.	060163	OMNI SEAL 85.83X44.45X9.53mm		
17.	020181	OMNI CAP CANTILEVERED		
17.	020272	OMNI CAP CANTILEVERED		
18.	200006	OMNI RETAINING RING		
19.	090201	OMNI SHIM, INPUT 0.1MM		
20.	090202	OMNI SHIM, INPUT 0.2MM		
21.	090203	OMNI SHIM, INPUT 0.3MM		
22.	040340	OMNI SHAFT, INPUT 1.75-20 SPLN		Rev. 2
22.	030340	REP BY 040340		Rev 1; Use up stock
23.	030308	OMNI GEAR, 23T (1.35)		

Hydraulic Cylinder (810-195C) Midway

Applies to RCS3510, RCS3596, RCSM3510, RCSM3596



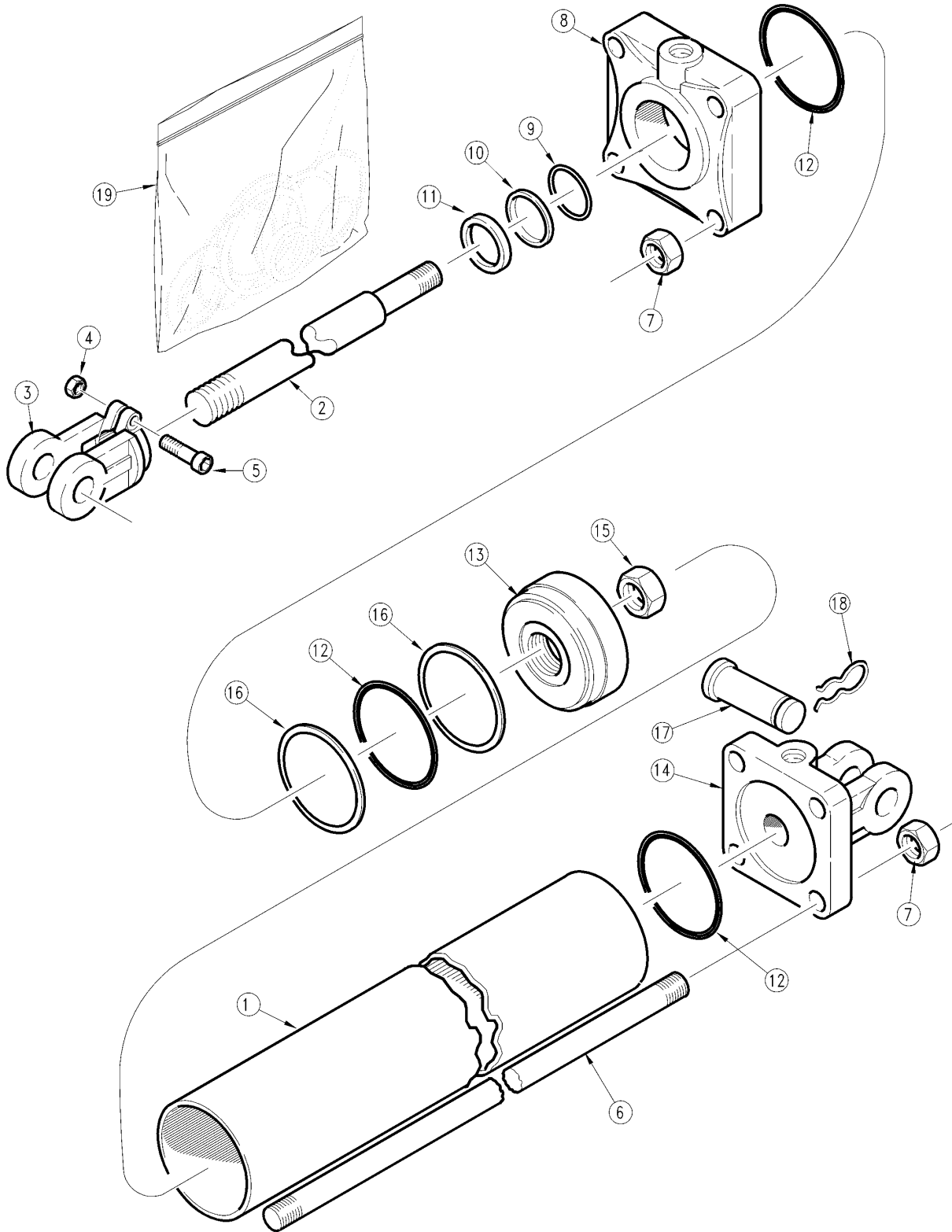
12499

Hydraulic Cylinder (810-195C) Midway**Applies to RCS3510, RCS3596, RCSM3510, RCSM3596**

Ref	Part No.	Part Description	Comments	Revision
	810-195C	Image Reference: 12499 CYL 3X8X1.25 ROD (TIE) NO PINS		
1.	6M4166	MW BASE 3 X 3/4 SAE ORB PORT		
2.	2A0014	MW TIE ROD NUT		
3.		O-RING	Only found in seal kit 17	
4.	7M4316	MW TIE ROD 3 X 8 CYLINDER		
5.	5M4116	MW TUBE 3 X 8 CYLINDER		
6.	2A0006	MW CAPSCREW		
7.	1M6010	MW CLEVIS STD. DUTY		
8.	2A0012	MW NUT CLEVIS & TIE ROD		
9.	2M4416	MW ROD 1-1/4 DIA X 8 STROKE		
10.		WIPER	Only found in seal kit 17	
11.		BACK-UP	Only found in seal kit 17	
12.		O-RING	Only found in seal kit 17	
13.	3M4412	MW HEAD CAP 3X1-1/4 ROD 3/4SAE		
14.		BACK-UP	Only found in seal kit 17	
15.	4M4104	MW PISTON 3 DIA.		
16.	2A0024	MW PISTON NUT 1-14		
17.	810-015C	CYL SEAL KIT 3 X 7 MW 3A4104		

Hydraulic Cylinder (810-200C) Midway

Applies to RCS3510, RCS3596, RCSM3510, RCSM3596



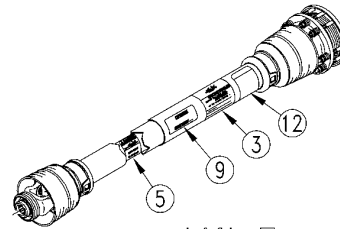
10219

Hydraulic Cylinder (810-200C) Midway**Applies to RCS3510, RCS3596, RCSM3510, RCSM3596**

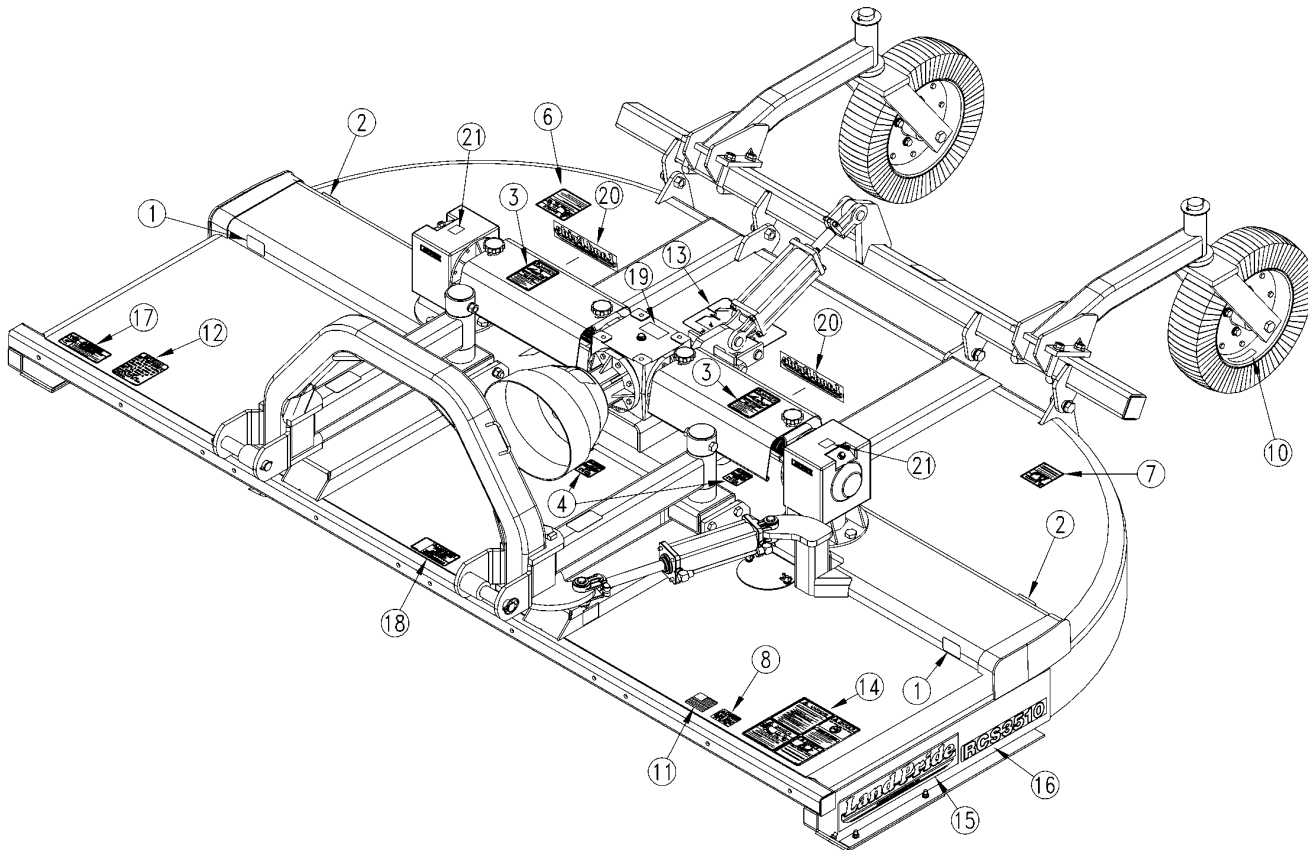
Ref	Part No.	Part Description	Comments	Revision
	810-200C	Image Reference: 10219 CYL 2.5X8X1.12 ROD (TIE)1 PIN		
1.	5M3116	MW TUBE 2-1/2 X 8 X 1-1/8 ROD		
2.	2M3316	MW ROD		
3.	1M6006	MW ROD CLEVIS		
4.	2A0012	MW NUT CLEVIS & TIE ROD		
5.	2A0006	MW CAPSCREW		
6.	7M3316	MW TIE ROD		
7.	2A0012	MW NUT CLEVIS & TIE ROD		
8.	3M3310	MW HEAD		
9.		O-RING	Only found in seal kit item 19	
10.		BACK-UP	Only found in seal kit item 19	
11.		WIPER SEAL	Only found in seal kit item 19	
12.		O-RING	Only found in seal kit item 19	
13.	4M3102	MW PISTON 2 1/2 CYL		
14.	6M3126	MW BASE		
15.	2A0022	MW NUT, PISTON		
16.		BACK-UP	Only found in seal kit item 19	
17.	2A0208	MW CLEVIS PIN		
18.	2A0132	MW PIN CLIP		
19.	810-210C	SEAL KIT MW 2.5 CYL 3A3102		

Label Placement

Applies to RCS3510, RCS3596, RCSM3510, RCSM3596



Lift Type
Driveline



Label Placement

Applies to RCS3510, RCS3596, RCSM3510, RCSM3596

Ref	Part No.	Part Description	Comments	Revision
	312-789A	RCS3510 DECAL PACKAGE		
	312-790A	RCSM3510 DECAL PACKAGE		
	312-791A	RCS3596 DECAL PACKAGE		
	312-792A	RCSM3596 DECAL PACKAGE		
		*		
		Image Reference: 20919		
1.	818-229C	DECAL AMBER REFLECTOR		
2.	818-230C	DECAL RED REFLECTOR		
3.	818-552C	DECAL DANGER PTO DRIVELINE		
4.	818-543C	DECAL DANGER PD GUARD MISS SML		
5.	818-540C	DECAL DANGER GUARD MISS PTO		
6.	818-564C	DECAL RC OSHA AG CHAIN GUARD		
7.	818-556C	DECAL DANGER THROWN OBJ CUTTER		
8.	818-130C	DECAL CAUTION 540 RPM		
9.	818-803C	DECAL DRIVELINE 826-215C	RCS3596 & RCS3510	
9.	818-804C	DECAL DRIVELINE 826-216C	RCSM3510	
9.	818-850C	DECAL DRIVELINE 826-258C	RCSM3596	
10.	818-681C	DECAL NOTICE - 20 MPH MAX		
11.	818-190C	DECAL FLAG		
12.	818-680C	DECAL IMPORTANT - SLIP CLUTCH		
13.	818-225C	DECAL RC120 BLADE ROTATION		
14.	818-830C	DECAL SAFETY COMBO SUNWEST		
15.	818-903C	DECAL LANDPRIDE 19" - BROWN		
16.	838-384C	DECAL RCS3510-BROWN	Shown	
16.	838-382C	DECAL RCS3596-BROWN		
16.	838-383C	DECAL RCSM3596-BROWN		
16.	838-385C	DECAL RCSM3510-BROWN		
17.	838-094C	DECAL WARNING HYD PRESS LONG		
18.	818-142C	DECAL DANGER PTO DRIVELINE EN		
19.	818-862C	DECAL 5 YEAR GEARBOX WARRANTY		
20.	818-898C	DECAL LANDPRIDE 10" - BIEGE		
21.	821-012C	GEAR LUBE 80-90W E		



Part Number Index

The Part Number Index is a numeric index of all part numbers included in this manual. The index shows what page(s) the part is used on.

Part Number	Page	Part Number	Page	Part Number	Page	Part Number	Page
0.121.7101.00	39	1016010	31	312-509H	9	6331070	27, 29, 31
0.132.7106.00	39	1016012	31	312-510H	9	6331080	27, 29, 31
0.139.7100.00	39	1016015	27, 29	312-515H	7	6410114	31
0.139.7101.00	39	1016017	27, 29	312-528S	9	6410716	25
0.210.0300.00	39	110001	41, 43	312-529S	9	6412016	25
0.210.1300.00	39	1106025	31	312-537K	19	6412114	31
0.210.2001.00	39	1138007	33, 35	312-538K	19	6560006	27, 29, 31
0.210.3001.00	39	1138008	33, 35	312-539K	19	6560208	23
0.210.5001.00	39	1215012	33, 35	312-544K	21	6560508	27, 29, 31
0.210.6001.00	39	1215733	27, 29, 31	312-545K	21	6691010	35
0.210.7100.00	39	1215735	27, 29, 31	312-546K	21	6691080	33
0.252.7525.00	39	1235287	25	312-588H	7	6761480	31
0.709.7500.00	39	130000	41, 43	312-591H	7	6821483	33, 35
0.712.7500.00	39	140004	41, 43	312-602D	9	6821484	25
010116	41, 43	140017	37	312-608A	23, 25	6M3126	47
010160	37	140033	37, 41, 43	312-616A	19	6M4166	45
020005	37	1406016	27, 29, 33	312-618A	21	7M3316	47
020162	37	1446016	31, 35	312-626S	9	7M4316	45
020180	43	1526062	29	312-627S	9	8.0.9.00143	39
020181	43	1526077	27, 31	312-630H	7	8.1.1.00501	39
020271	41, 43	1528062	29	312-686H	9	8.2.2.00555	39
020272	41, 43	1528077	27, 31	312-687H	9	8.4.7.00146	39
030038	37	1535275	25	312-692H	15	8.4.7.02265	39
030039	37	1535287	25	312-693H	17	8.5.1.00533	39
030307	41, 43	1705009	33, 35	312-696H	15, 17	8.5.2.00332	39
030308	41, 43	1705267	25	312-712D	7	8.6.5.00006	39
030340	41, 43	1705278	23	312-720A	19	8.6.6.00201	39
030341	41, 43	1706027	27, 29, 31	312-721A	21	8.6.7.00269	41, 43
04-011	39	1706029	27, 29, 31	312-722K	19	8.7.1.01107	39
040112	37	1706033	33, 35	312-723K	19	8.7.3.00331	39
040136	37	1708016	35	312-724K	21	800-001C	7
040340	41, 43	1708017	33	312-789A	49	800-080C	7, 15, 17
040341	41, 43	1708034	35	312-790A	49	800-117C	13
044321	27, 29, 31	1708072	25	312-791A	49	801-007C	9
050008	37	1785273	23, 25	312-792A	49	802-005C	10
050012	37	1786710	27, 29, 31	312-804D	7	802-007C	9
050013	37	1786711	27, 29, 31	312-805D	9	802-034C	9
050014	37	1808010	33, 35	312-812D	9	802-064C	9
050015	37	1876052	29	312-817H	9	802-065C	7
050038	43	1876067	27, 31	312-820H	9	802-079C	37, 41, 43
050039	43	1877052	29	312-823D	19	802-091C	37
050266	41, 43	1877067	27, 31	312-824D	19	802-106C	21
050267	41, 43	1885702	27, 29, 31	312-825D	19	802-144C	15, 17
060004	37	1885703	27, 29, 31	312-826D	19	802-155C	21
060051	37	1885709	27, 29, 31	312-827D	19	802-183C	19
060131	43	1M6006	47	312-830D	21	802-240C	7
060132	43	1M6010	45	312-831D	21	802-272C	7
060163	41, 43	200003	37, 41, 43	312-832D	21	802-277C	9
060164	41, 43	200006	41, 43	312-834D	21	802-326C	7
070140	37	2A0006	45, 47	312-835D	21	802-360C	7
070141	37	2A0012	45, 47	312-836D	21	802-368C	7
070142	37	2A0014	45	312-933D	9	802-440C	19, 21
070143	37	2A0022	47	312-936D	21	802-466C	9
070144	37	2A0024	45	312-937D	21	802-585C	19, 21
070145	37	2A0132	47	312-940D	19	803-012C	9
070215	41, 43	2A0208	47	312-942D	19	803-026C	7
070216	41, 43	2M3316	47	312-943D	19	803-027C	7
070217	41, 43	2M4416	45	326-025D	15, 17	803-031C	15, 17
090055	37	300-429D	17	326-047D	15	803-037C	19, 21
090073	37	300-431D	17	326-048D	15	803-095C	9, 37
090201	41, 43	312-067K	7	326-069D	19	803-168C	7
090202	41, 43	312-084L	7	326-070D	19	803-170C	9
090203	41, 43	312-100H	7	326-071D	21	803-181C	9
1004220	27, 29, 31	312-231D	7	3M3310	47	803-198C	9, 21
1004225	27, 29, 31	312-404H	9	3M4412	45	803-231C	9
1005220	23	312-502A	19	4M3102	47	803-255C	10
1005238	25	312-503A	19	4M4104	45	803-263C	7
1005239	25	312-504A	21	5M3116	47	803-289C	7
1006020	27, 29, 31	312-505A	21	5M4116	45	804-007C	10
1008020	25	312-508H	9	6141680	25	804-009C	9



Part Number Index (continued)

Part Number	Page	Part Number	Page
804-012C	9	820-209C	9
804-013C	9, 37	820-210C	9
804-015C	7, 9, 37	820-211C	9
804-016C	7	821-012C	49
804-023C	7	822-091C	7
804-024C	7	822-092C	7
804-025C	7	826-215C	31
804-027C	15, 17	826-216C	27
804-029C	7, 9	826-217C	9, 37
804-036C	9	826-218C	9, 43
804-070C	37	826-219C	9, 41
804-074C	7	826-222C	9
804-147C	9	826-224C	9, 23
805-004C	13	826-258C	29
805-015C	15, 17	826-334C	9, 25
805-017C	9, 37	826-378C	9, 39
805-041C	15, 17	827-036C	7
805-088C	13	838-094C	49
805-104C	7	838-382C	49
805-187C	7	838-383C	49
805-255C	7	838-384C	49
805-301C	15, 17	838-385C	49
806-018C	7	890-177C	7
807-143C	7	890-341C	19
810-015C	45	890-400C	19
810-195C	13, 45		
810-200C	13, 47		
810-210C	47		
810-242C	13		
811-063C	13		
811-170C	13		
811-236C	13		
811-394C	13		
811-676C	13		
814-059C	7		
815-091C	7		
815-092C	7		
816-272C	21		
816-273C	21		
816-274C	21		
816-286C	7		
816-299C	21		
816-300C	21		
816-481C	10		
817-165C	9		
817-259C	9		
818-130C	49		
818-142C	49		
818-190C	49		
818-225C	49		
818-229C	49		
818-230C	49		
818-540C	27, 29, 31, 49		
818-543C	49		
818-552C	27, 29, 31, 49		
818-556C	49		
818-564C	49		
818-680C	49		
818-681C	7, 49		
818-803C	49		
818-804C	49		
818-830C	49		
818-850C	49		
818-862C	49		
818-898C	49		
818-903C	49		
820-112C	9		
820-137C	9		
820-193C	9		
820-195C	9		
820-196C	9		



Great Plains Manufacturing, Inc.

Corporate Office: P.O. Box 5060
Salina, Kansas 67402-5060 USA

www.landpride.com
