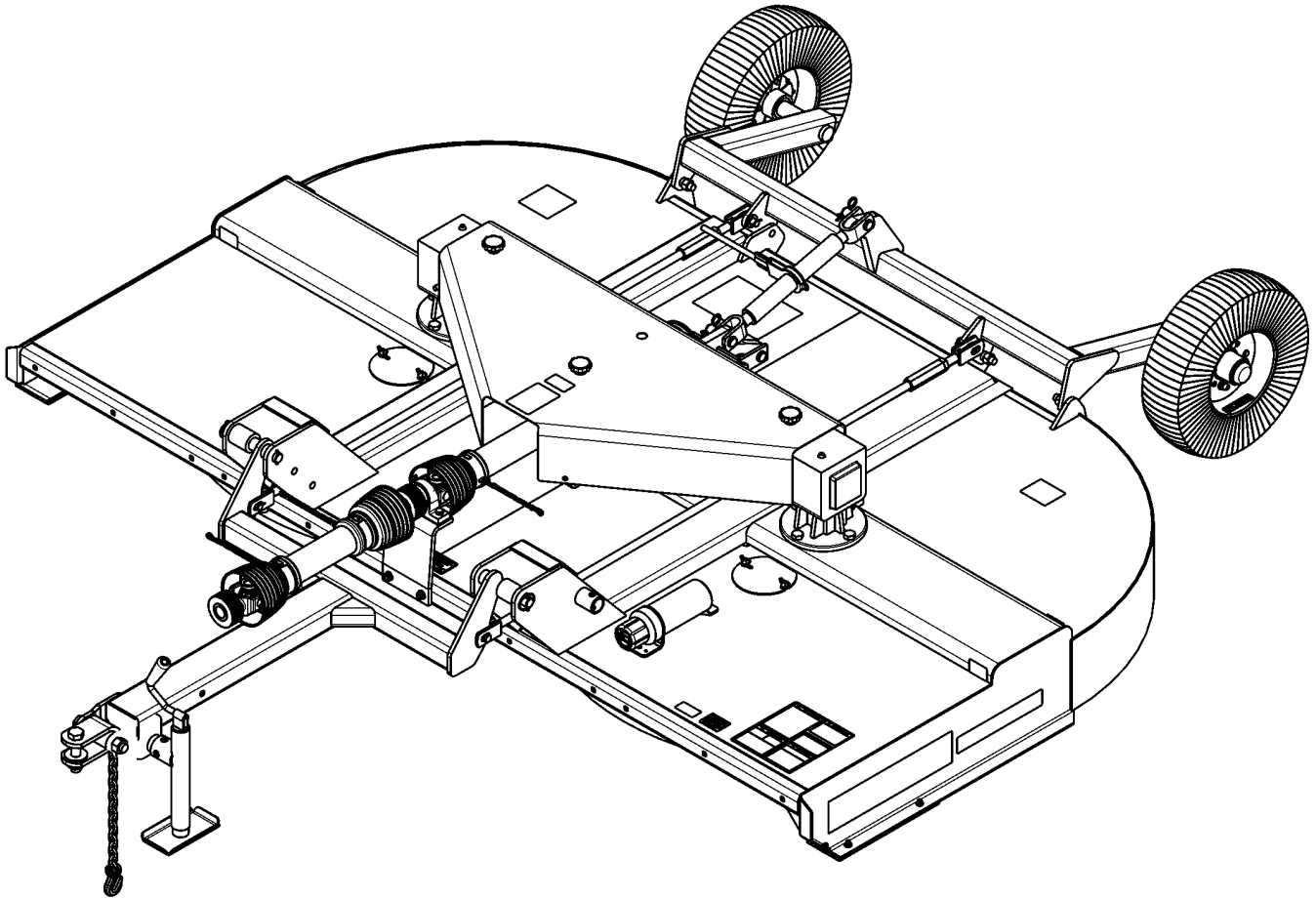


# Rotary Cutter

## RCR2596, RCR2510 & RCRM2510



22352

### 312-753P Parts Manual



Read the Operator's manual entirely. When you see this symbol, the subsequent instructions and warnings are serious - follow without exception. Your life and the lives of others depend on it!

© Copyright 2008 Printed 07/09/08

Cover photo may show optional equipment not supplied with standard unit.





# Table of Contents

<b>Section 1: Introduction.....</b>	<b>4</b>	Hydraulic Cylinder (810-200C) Red Lion.....	76
Using This Manual.....	4	<b>Section 7: Labels.....</b>	<b>78</b>
Manual Replacement Information.....	4	Label Placement.....	78
Manual Revisions.....	4		
Touch-up Paint.....	4		
Hardware Legend.....	5		
Replacement Hardware.....	5		
Serial Numbers.....	5		
Part Number Service Coding.....	5		
<b>Section 2: Frame.....</b>	<b>6</b>	<b>Part Number Index.....</b>	<b>80</b>
3-Point Wheel.....	6		
CV Trail Type Driveline.....	8		
Deck 3-Point Hitch Components.....	10		
Deck Blade Drive.....	14		
Equal Angle Pull Type Driveline.....	16		
Hydraulic Lift.....	18		
Pull Type.....	20		
Pull Type Axle and Tires.....	22		
<b>Section 3: Guards.....</b>	<b>24</b>		
Guarding Chain.....	24		
Guarding Chain.....	26		
Guarding Rubber.....	28		
Guarding Rubber.....	30		
<b>Section 4: Drivelines.....</b>	<b>32</b>		
Driveline 1000 RPM (826-216C) Eurocardan.....	32		
Driveline 1000 RPM (826-221C) Eurocardan.....	34		
Driveline 1000 RPM (826-223C) Eurocardan.....	36		
Driveline 1000 RPM (826-226C) Eurocardan.....	38		
Driveline 540 RPM (826-151C) Eurocardan.....	40		
Driveline 540 RPM (826-215C) Eurocardan.....	42		
Driveline 540 RPM (826-220C) Eurocardan.....	44		
Driveline 540 RPM (826-255C) Eurocardan.....	46		
Driveline 540 RPM (826-256C) Eurocardan.....	48		
Driveline CV 1000 RPM (826-063C) Walterscheid.....	50		
Driveline CV 540 RPM (826-053C) Walterscheid.....	52		
Driveline Flex Coupler (826-359C) Eurocardan.....	54		
Driveline Flex Coupler (826-360C) Eurocardan.....	56		
Driveline Slip Clutch (1406016) Eurocardan.....	58		
Driveline Slip Clutch (1406028) Eurocarda.....	60		
Driveline Slip Clutch (1446016) Eurocardan.....	62		
Driveline Slip Clutch (1446037) Eurocardan.....	64		
Driveline Stub Shaft Pull Type 540 RPM (826-225C) Eurocardan.....	66		
<b>Section 5: Gearboxes.....</b>	<b>68</b>		
Gearbox (826-356C) Comer.....	68		
Gearbox (826-358C) Comer.....	70		
Gearbox (826-424C) Comer.....	72		
<b>Section 6: Hydraulics.....</b>	<b>74</b>		
Hydraulic Cylinder (810-200C) Midway.....	74		

© Copyright 2008. All rights reserved.

Land Pride provides this publication "as is" without warranty of any kind, either expressed or implied. While every precaution has been taken in the preparation of this manual, Land Pride assumes no responsibility for errors or omissions. Neither is any liability assumed for damages resulting from the use of the information contained herein. Land Pride reserves the right to revise and improve its products as it sees fit. This publication describes the state of this product at the time of its publication, and may not reflect the product in the future. The illustrations in this manual are not intended for safe and proper assembly or disassembly of equipment. The illustrations are intended for ordering parts only.

Land Pride is registered trademark.

All other brands and product names are trademarks or registered trademarks of their respective holders.

Printed in the United States of America.



# Alphabetized Table of Contents

---

<b>3</b>	3-Point Wheel.....	6
<b>C</b>	CV Trail Type Driveline.....	8
<b>D</b>	Deck 3-Point Hitch Components.....	10
	Deck Blade Drive.....	14
	Driveline 1000 RPM (826-216C) Eurocardan.....	32
	Driveline 1000 RPM (826-221C) Eurocardan.....	34
	Driveline 1000 RPM (826-223C) Eurocardan.....	36
	Driveline 1000 RPM (826-226C) Eurocardan.....	38
	Driveline 540 RPM (826-151C) Eurocardan.....	40
	Driveline 540 RPM (826-215C) Eurocardan.....	42
	Driveline 540 RPM (826-220C) Eurocardan.....	44
	Driveline 540 RPM (826-255C) Eurocardan.....	46
	Driveline 540 RPM (826-256C) Eurocardan.....	48
	Driveline CV 1000 RPM (826-063C) Walterscheid.....	50
	Driveline CV 540 RPM (826-053C) Walterscheid.....	52
	Driveline Flex Coupler (826-359C) Eurocardan.....	54
	Driveline Flex Coupler (826-360C) Eurocardan.....	56
	Driveline Slip Clutch (1406016) Eurocardan.....	58
	Driveline Slip Clutch (1406028) Eurocarda.....	60
	Driveline Slip Clutch (1446016) Eurocardan.....	62
	Driveline Slip Clutch (1446037) Eurocardan.....	64
	Driveline Stub Shaft Pull Type 540 RPM (826-225C) Eurocardan.....	66
<b>E</b>	Equal Angle Pull Type Driveline.....	16
<b>G</b>	Gearbox (826-356C) Comer.....	68
	Gearbox (826-358C) Comer.....	70
	Gearbox (826-424C) Comer.....	72
	Guarding Chain.....	24
	Guarding Chain.....	26
	Guarding Rubber.....	28
	Guarding Rubber.....	30
<b>H</b>	Hydraulic Cylinder (810-200C) Midway.....	74
	Hydraulic Cylinder (810-200C) Red Lion.....	76
	Hydraulic Lift.....	18
<b>L</b>	Label Placement.....	78
<b>P</b>	Pull Type.....	20
	Pull Type Axle and Tires.....	22

# General Information

## Using This Manual

This manual is divided into sections. The first section contains General Information. The remaining sections divide the machine into segments (i.e. Frames, Drives, Hydraulics, etc.) which illustrate and list all parts. A Parts Number Index is located at the back of the book.

The Land Pride parts in this manual are specially designed for this machine and should be replaced with Land Pride parts only.

The information in this manual is current at time of printing. Some parts may change to assure top performance.

Right-hand and left-hand as used in this manual are determined by facing the direction the machine will travel while in use.

Below is an example of two facing pages from a parts manual. Familiarize yourself with the type of information contained on these pages.

## Manual Replacement Information

Replacement manuals are available. Refer to our website at [www.landpride.com](http://www.landpride.com), the Land Pride Support Center CD or e-mail us at [lit@landpride.com](mailto:lit@landpride.com) for additional information. Our website continues to provide the most up-to-date manuals available.

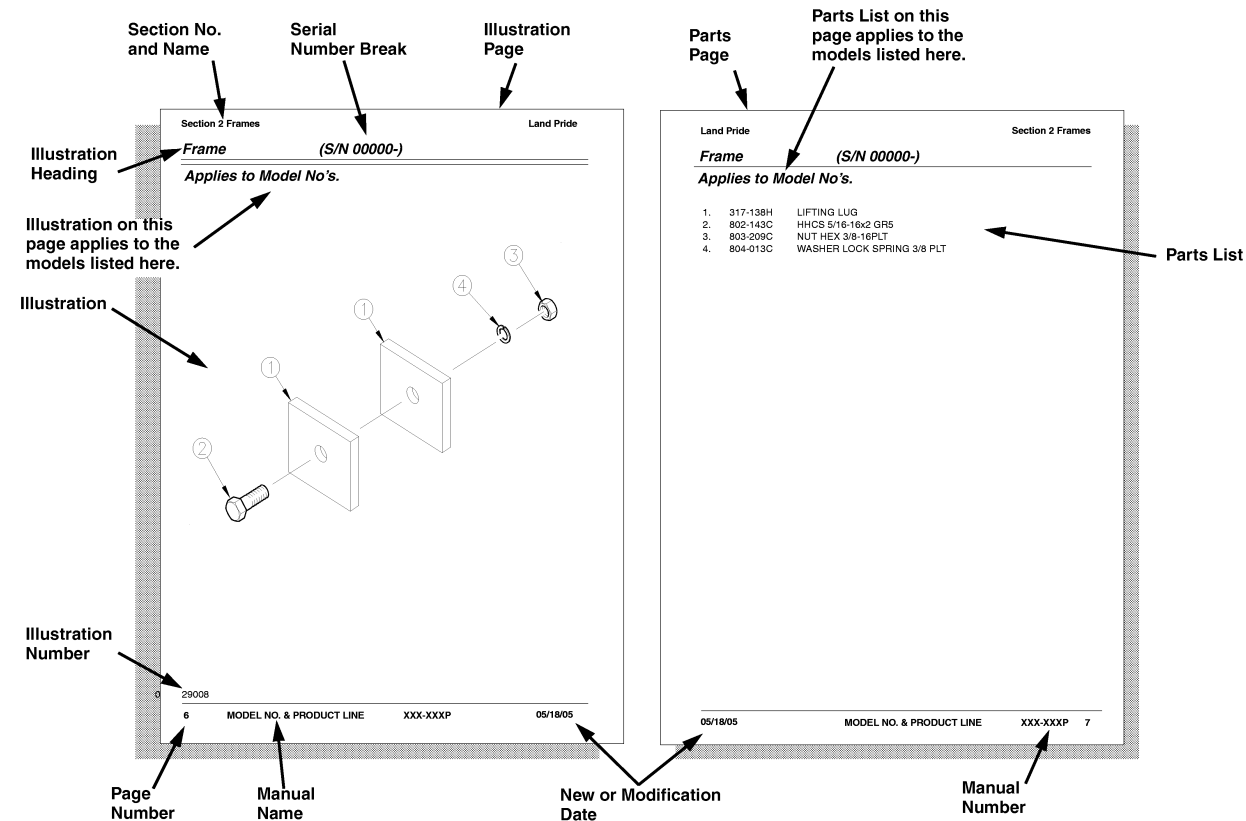
## Touch-up Paint

Repaint parts where paint is worn or scratched to prevent rust. Aerosol cans and touch-up bottles with brush applicator are available through your local dealer. Land Pride color descriptions and part numbers are listed below. Also available are quart and gallon size paints. Add QT or GL to end of the Aerosol P/N.

Color	Product <sup>1</sup>	Aerosol	Touch-Up
Gloss Black	LP	821-032C	821-032CTU
Medium Gloss Black	UV	821-053C	821-053CTU
Beige	LP	821-011C	821-011CTU
Green	SLP	821-058C	821-058CTU
Orange	SLP	821-066C	821-066CTU
Red	SLP/UV	821-054C	821-054CTU
Blue	SLP/UV	821-067C	821-067CTU
Dark Green Sparkle	UV	821-055C	821-055CTU
Gondo Forest Green	UV	821-057C	821-057CTU
Brite Yellow <sup>2</sup>	UV	821-056C	821-056CTU
Gondo Yellow <sup>3</sup>	UV	821-059C	821-059CTU

Notes:

- 1 LP = All Land Pride Products except Utility Vehicles  
SLP = Select Land Pride Products that are available in optional Green, Orange, Red, & Blue colors.  
UV = Utility Vehicles
- 2 Used on Trekers and (Runabouts with S/N 407628-)
- 3 Used on Gondos and (Runabouts with S/N 407629+)



## General Information

### Hardware Legend

<b>AR</b>	As Required
<b>BLADE</b>	Blade Bolt
<b>C</b>	Cap Screw
<b>CP</b>	Cotter Pin
<b>CPHSSS</b>	Cup Point Hex Socket Set Screw
<b>CPSHSS</b>	Cup Point Square Head Set Screw
<b>CPSQHSS</b>	Cup Point Square Head Set Screw
<b>CRFCHMS3</b>	Cross Recess Flat Countersunk Head Machine Screw
<b>CRPHMS</b>	Cross Recess Pan Head Machine Screw
<b>CRPHTFS</b>	Cross Recess Pan Head Thread Forming
<b>CRRHMS</b>	Cross Recess Round Head Machine Screw
<b>CRTHMS</b>	Cross Recess Truss Head Machine Screw
<b>CSNB</b>	Countersunk Square Neck Bolt
<b>FHMS</b>	Flat Head Machine Screw
<b>FTC</b>	Full Thread Cap Screw
<b>H</b>	Hex Nut
<b>HCLN</b>	Hex Center Lock Nut
<b>HFLCS</b>	Hex Flange Lock Cap Screw
<b>HFS</b>	Hex Flange Screw
<b>HFSLN</b>	Hex Flange Serrated Lock Nut
<b>HFSS</b>	Hex Flange Serrated Screw
<b>HHCS</b>	Hex Head Cap Screw or Metric Bolt
<b>HSBHCS</b>	Hex Socket Button Head Cap Screw
<b>HSFCHCS</b>	Hex Socket Flat Countersunk Head Cap Screw
<b>HSHCS</b>	Hex Socket Head Cap Screw
<b>HSSS</b>	Hex Socket Head Screw
<b>HTLN</b>	Hex Top Lock Nut
<b>HWHCS</b>	Hex Washer Head Cap Screw

<b>HWHMS</b>	Hex Washer Head Machine Screw
<b>HXBHCS</b>	Hex Socket Button Head Cap Screw
<b>J</b>	Hex Jam Nut
<b>JIC</b>	37 Degree Tapered Thread
<b>L</b>	Helical Spring Lock Washer
<b>LUG</b>	Lug Bolt
<b>NFC</b>	National Fine Cap Screw
<b>NPSM</b>	National Pipe Straight Mechanical
<b>NPTF</b>	National Pipe Taper Fuel
<b>P</b>	Wide Plain Washer
<b>PHMS</b>	Pan Head Machine Screw
<b>PLOW</b>	Plow Bolt
<b>RHMS</b>	Round Head Machine Screw
<b>RHSNB</b>	Round Head Square Neck Bolt
<b>SCREW LEVELING</b>	Leveling Screw
<b>SCREW THUMB</b>	Thumb Screw
<b>SCREW WELD</b>	Weld Screw
<b>SFCHMS</b>	Slotted Flat Countersunk Head Machine Screw
<b>SFHMS</b>	Slotted Fillister Head Machine Screw
<b>SP</b>	Special
<b>SP SCREW</b>	Special Screw
<b>SQHSS</b>	Square Head Set Screw
<b>SRHMS</b>	Slotted Round Head Machine Screw
<b>SSS</b>	Socket Set Screw
<b>STCS</b>	Self Tapping Cap Screw
<b>STHMS</b>	Slotted Truss Head Machine Screw
<b>WHEEL</b>	Wheel Studs and Hub Long Bolts
<b>WING</b>	Wing Bolt

### Replacement Hardware

The **Hardware Legend** above lists hardware abbreviations used in the parts list. All bolts and nuts are Grade 5 unless otherwise noted. The use of improper grades of hardware can result in personal injury, damage to equipment, or loss of property.

### Colored Replacement Parts

Land Pride offers replacement parts in factory standard colors and also on select models in Green, Orange, Red and Blue. Because of the variety of colors available, special attention must be given to the part number to prevent ordering the wrong replacement part.

A suffix number corresponding to one of the colors below must be added at the end of Land Pride's part number when ordering a replacement part with that color.

**81 . . . . . Green      83 . . . . . Red**  
**82 . . . . . Orange    84 . . . . . Blue**

For example, if you are ordering a replacement part with part number 555-555C and the part you need is red, then add the suffix 83 to the end of the number to make the part number read 555-555C83. Parts ordered without a suffix number will be supplied in factory standard colors.

### Black Replacement Parts

Some parts are factory standard black and some must be special ordered black. If your part is special ordered black, a second part number with the additional suffix number 85 on the end will be available. In this situation you must order that part with the suffix number for it to be black. Parts that are factory standard black will not have the suffix number.

### Part Number Service Coding

Within the parts list some part numbers are coded for revisions and interchangeability. See notations in revision column.

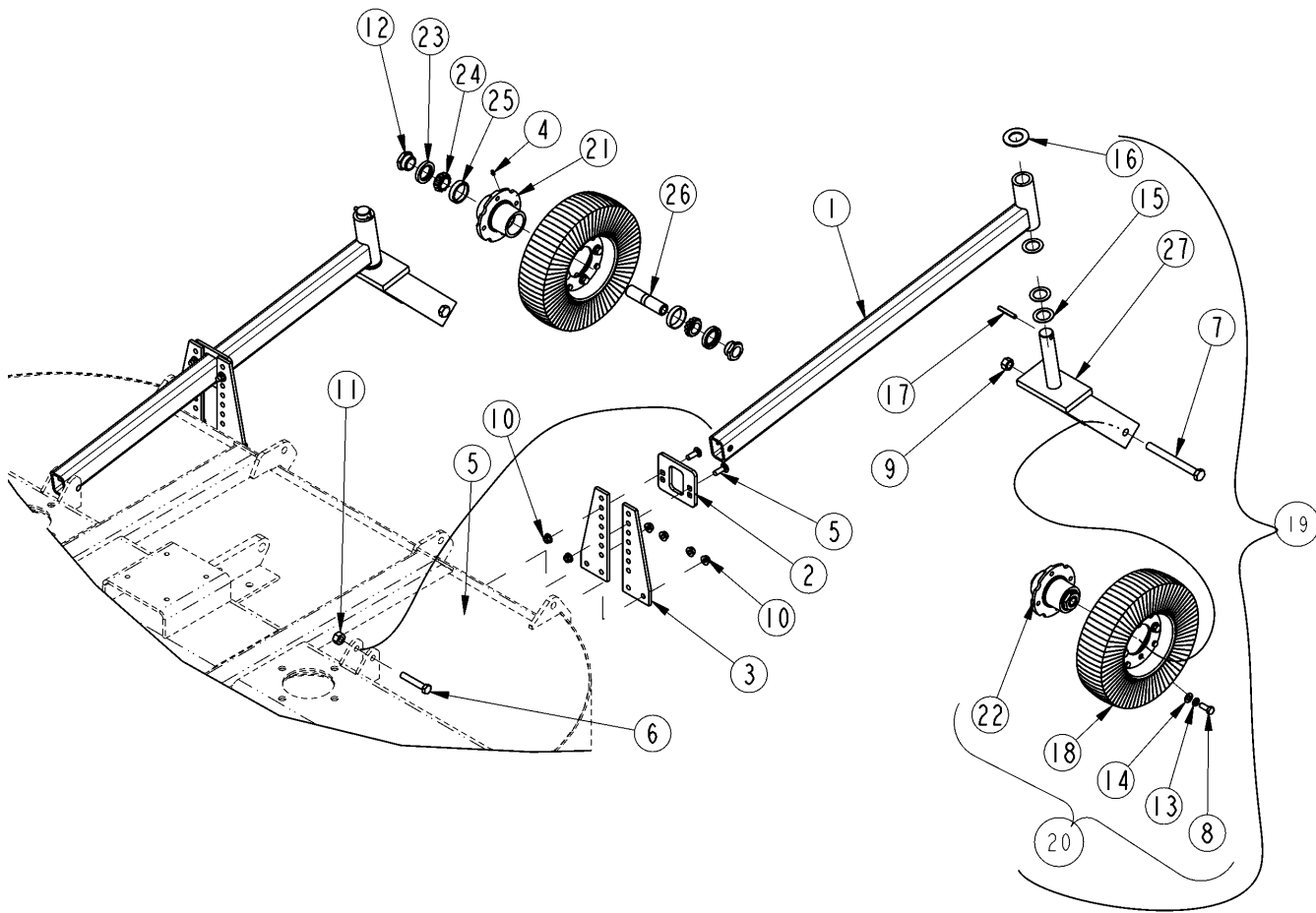
### Serial Numbers

Always use the serial and model number when ordering parts. Refer to the Operator's Manual for serial number plate location.

- |                      |  |
|----------------------|--|
| (S/N 20001+)         | Includes serial numbers 20001 and above (to the latest number)   |
| (S/N 10001 to 20000) | Includes serial numbers between and including 10001 and 20000    |
| (S/N 10000-)         | Includes serial numbers 10000 and below (to the earliest number) |

### 3-Point Wheel

Applies to RCR2510, RCR2596, RCRM2510



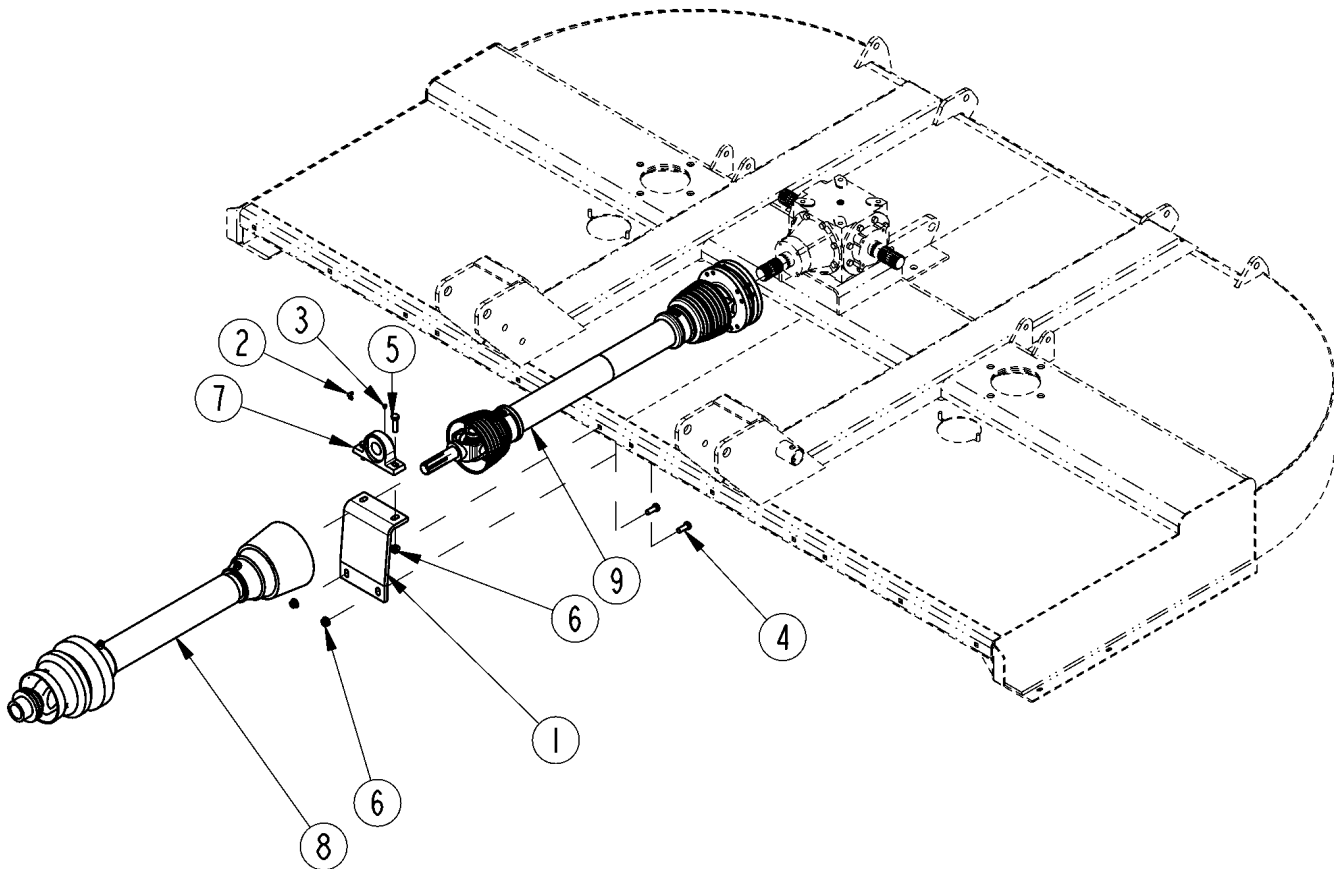
22334

**3-Point Wheel****Applies to RCR2510, RCR2596, RCRM2510**

<b>Ref</b>	<b>Part No.</b>	<b>Part Description</b>	<b>Comments</b>	<b>Revision</b>
	dwg22334	Drawing Image Number		
1.	312-614H	WLDMT TAILWHEEL BEAM	RCR2596	
1.	312-512H	TAILWHEEL BEAM WELDMENT	RCR2510 RCRM2510	
2.	312-616D	TAILWHEEL ARM ADJUST PLATE	RCR2596	
2.	312-810D	TAILWHEEL BEAM ADJ. BRKT.	RCR2510 RCRM2510	
3.	312-811D	TAILWHEEL BEAM MOUNTING BRKT.		
4.	800-001C	GREASE ZERK STRAIGHT 1/4-28		
5.	802-106C	RHSNB 1/2-13X1 1/2 GR5		
6.	802-162C	HHCS 5/8-11X3 1/2 GR5		
7.	802-280C	HHCS 3/4-10X7 1/2 GR5		
8.	802-326C	HHCS 1/2-20X1 1/4 GR5		
9.	803-026C	NUT TOP LOCK 3/4-10 PLT		
10.	803-037C	NUT HEX WHIZ 1/2-13 PLT		
11.	803-271C	NUT HEX TOP LOCK 5/8-11 PLT		
12.	803-289C	NUT HEX 1 1/4-7(MACHINED)PLAIN		
13.	804-015C	WASHER LOCK SPRING 1/2 PLT		
14.	804-016C	WASHER FLAT 1/2 SAE PLT		
15.	804-066C	WASHER MACH 2.25 X 1.50 X 14GA		
16.	804-171C	WASHER FLAT 1 3/8HARD ASTMF436		
17.	805-255C	PIN ROLL 3/8 X 2 1/2 PLT		
18.	814-058C	TIRE & WHEEL LAMINATED 4.0 X 8		
19.	814-161C	LAM 4X8 TR-WL-HUB-YOKE 25 SER.		
20.	814-162C	LAM 4 X 8 TR-WHEEL-HUB 25 SER.		
21.	815-091C	HUB 4 BOLT		
22.	815-092C	HUB & SPINDLE ASSY 4 BOLT		
23.	816-286C	OIL SEAL DBL LIP 2.441 BORE		
24.	822-091C	BEARING CONE 15123		
25.	822-092C	BEARING CUP 15245		
26.	827-036C	BUSHING TW 1.25ODX.78IDX5 1/4		
27.	890-961C	RC25 TAILWHEEL YOKE		
27.	890-583C	RPBY 890-961C		

# CV Trail Type Driveline

Applies to RCR2510, RCR2596, RCRM2510



22342

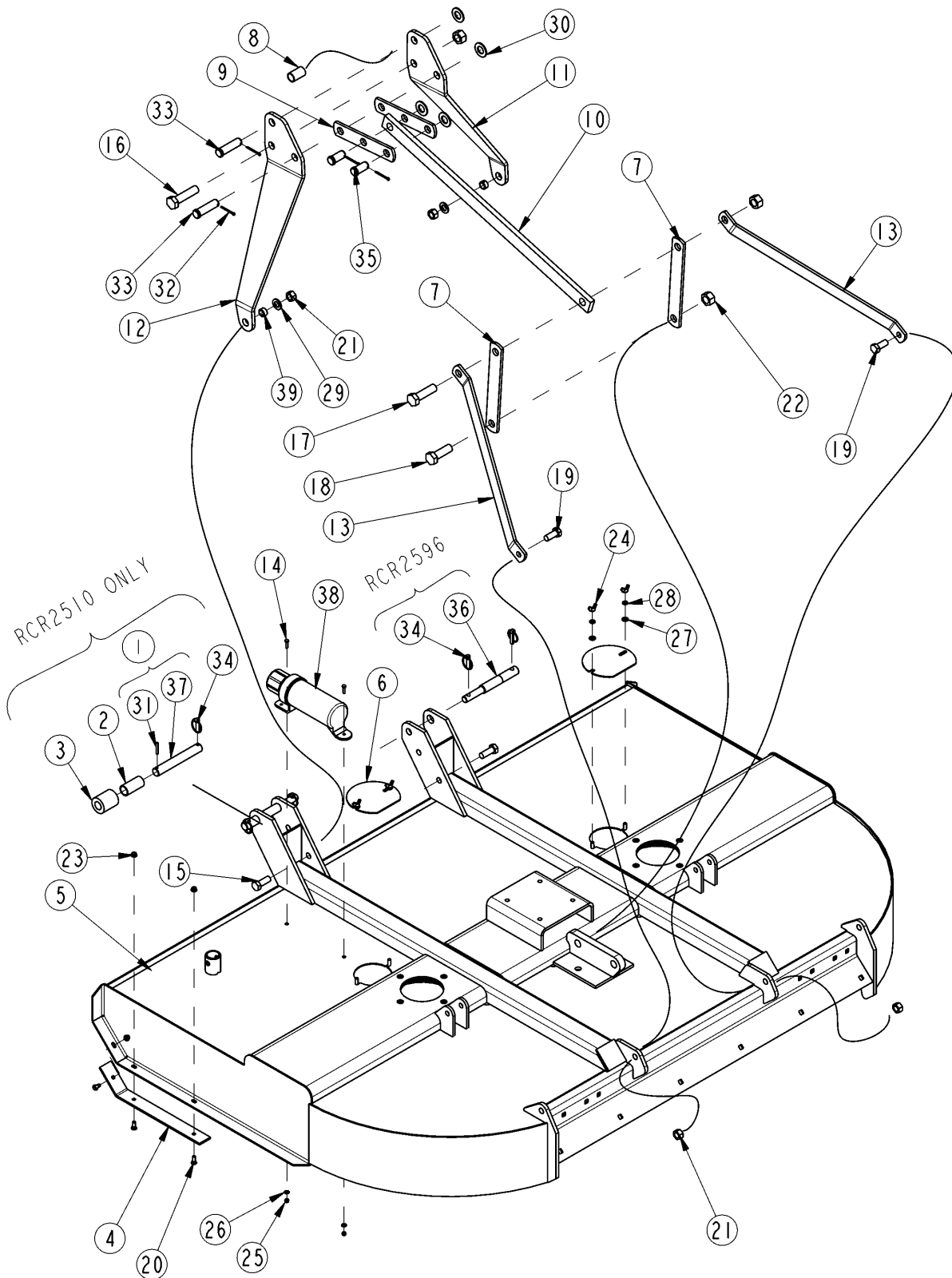


**CV Trail Type Driveline****Applies to RCR2510, RCR2596, RCRM2510**

<b>Ref</b>	<b>Part No.</b>	<b>Part Description</b>	<b>Comments</b>	<b>Revision</b>
	dwg22342	Drawing Image Number		
1.	312-820D	PILLOW BLOCK BRG. SUPPORT		
2.	800-073C	GREASE ZERK 1/4-28 X 90-DEG		
3.	801-035C	SCREW SET 5/16-18 SKT KP X 3/8		
4.	802-034C	HHCS 1/2-13X1 1/4 GR5		
5.	802-082C	HHCS 1/2-13X1 3/4 GR5		
6.	803-037C	NUT HEX WHIZ 1/2-13 PLT		
7.	822-094C	BEARING PILLOW BLOCK 1 3/8BORE		
8.	826-053C	PTO CV 2400 X 60 540 RPM	RCR2510	
8.	826-063C	PTO CV 2400 X 60 1000 RPM	RCRM2510	
9.	826-225C	PTO W/STUB SHAFT/SC 540 1 3/4	RCR2510	
9.	826-226C	PTO W/STUB SHAFT/SC 1000 1 3/4	RCRM2510	

# Deck 3-Point Hitch Components

Applies to RCR2510, RCR2596, RCRM2510



22332

**Deck 3-Point Hitch Components****Applies to RCR2510, RCR2596, RCRM2510**

Ref	Part No.	Part Description	Comments	Revision
	dwg22332	Drawing Image Number		
1.	300-202S	PIN 1 1/8 OD X 7 1/8 USABLE		
2.	300-429D	CAT III BUSHING		
3.	300-431D	TUBE RD 2 1/4ODX1 5/32IDX2 5/8		
4.	312-602D	SKID SHOE		
4.	312-602D81	SKID SHOE GREEN		
4.	312-602H82	SKID SHOE ORANGE		
4.	312-602D83	SKID SHOE RED		
5.	312-739H	RCR2596 DECK WELDMENT	RCR2596	
5.	312-739H81	RCR2596 DECK WELDMENT GREEN		
5.	312-738H82	RCR2596 DECK WELDMENT ORANGE		
5.	312-739H83	RCR2596 DECK WELDMENT RED		
5.	312-738H	RCR2510 DECK WELDMENT	RCR2510 RCRM2510	
5.	312-738H81	RCR2510 DECK WELDMENT GREEN		
5.	312-738H82	RCR2510 DECK WELDMENT ORANGE		
5.	312-738H83	RCR2510 DECK WELDMENT RED		
6.	312-812D	ACCESS COVER PLATE		
6.	312-812D81	ACCESS COVER PLATE GREEN		
6.	312-812D82	ACCESS COVER PLATE ORANGE		
6.	312-812D83	ACCESS COVER PLATE RED		
7.	312-816D	REAR BRACE STRAIGHT SHORT		
8.	312-821D	BUSHING 1 1/4ODX1 1/32IDX2LG		
9.	312-822D	REAR BRACE SHORT		
10.	312-931D	REAR BRACE STRAIGHT LONG	RCR2596	
10.	312-815D	REAR BRACE STRAIGHT LONG	RCR2510 RCRM2596	
11.	312-938D	A-FRAME RH.	RCR2596	
11.	312-813D	A-FRAME HITCH RH.	RCR2510 RCRM2596	
12.	312-939D	A-FRAME LH.	RCR2596	
12.	312-814D	A-FRAME HITCH LH.	RCR2510 RCRM2596	
13.	326-169D	REAR BRACE FORMED	RCR2596	
13.	312-817D	REAR BRACE FORMED	RCR2510 RCRM2596	
14.	802-005C	HHCS 1/4-20X1 GR5	(S/N 495422+ RCR2596) (S/N 495351+ RCR(M)2510)	
15.	802-064C	HHCS 3/4-10X2 GR5		
16.	802-098C	HHCS 1-8X4 1/2 GR5	S/N _____ +	
16.	802-073C	HHCS 1-8X4 GR5	S/N _____ -	
17.	802-169C	HHCS 1-8X3 1/2 GR5		
18.	802-368C	HHCS 1-8X3 GR5		
19.	802-392C	HHCS 3/4-10X1 3/4 GR5		
20.	802-603C	PLOW 3/8-16X1 GR5		
21.	803-026C	NUT LOCK 3/4-10 PLT		
22.	803-168C	NUT HEX TOP LOCK 1-8 PLT		
23.	803-198C	NUT HEX WHIZ 3/8-16 PLT		
24.	803-231C	NUT WING 3/8-16 PLT		
25.	803-255C	NUT HEX NYLOCK 1/4-20	(S/N 495422+ RCR2596) (S/N 495351+ RCR(M)2510)	
26.	804-007C	WASHER FLAT 1/4 SAE PLT	(S/N 495422+ RCR2596) (S/N 495351+ RCR(M)2510)	
27.	804-012C	WASHER FLAT 3/8 SAE PLT		
28.	804-013C	WASHER LOCK SPRING 3/8 PLT		
29.	804-025C	WASHER FLAT 3/4 SAE PLT		
30.	804-029C	WASHER FLAT 1 SAE		
31.	805-041C	PIN ROLL 1/4X1 3/4		
32.	805-058C	PIN COTTER 3/16 X 2		
33.	805-090C	PIN CLEVIS 1 X 3 3/16 LG		
34.	805-103C	PIN LINCH 7/16 X 1 3/4		
35.	805-137C	PIN CLEVIS 1 X 2 PLT		
36.	805-274C	PIN HITCH CAT.I-II		

***Deck 3-Point Hitch Components (continued)***

---

**Applies to RCR2510, RCR2596, RCRM2510**

<b>Ref</b>	<b>Part No.</b>	<b>Part Description</b>	<b>Comments</b>	<b>Revision</b>
37.	805-301C	PIN 1 1/8 OD X 7 1/8 USABLE		
38.	816-481C	MANUAL STORAGE CONTAINER	(S/N 495422+ RCR2596) (S/N 495351+ RCR(M)2510)	
39.	890-352C	BUSHING 1 OD X 3/4 ID X 5/8 LG		

***Deck 3-Point Hitch Components (continued)***

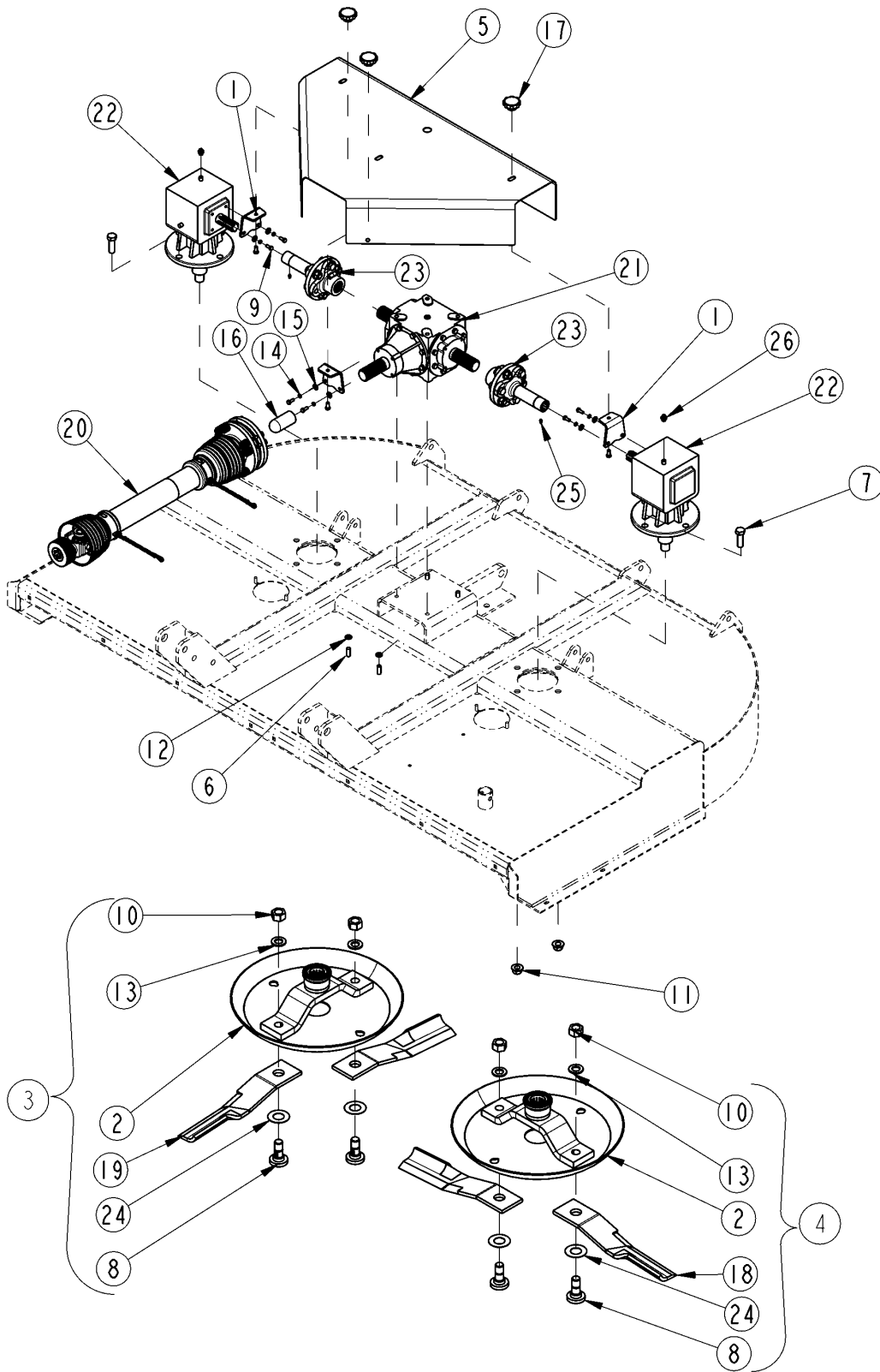
---

**Applies to RCR2510, RCR2596, RCRM2510**

***This Page Intentionally Left Blank***

# Deck Blade Drive

Applies to RCR2510, RCR2596, RCRM2510



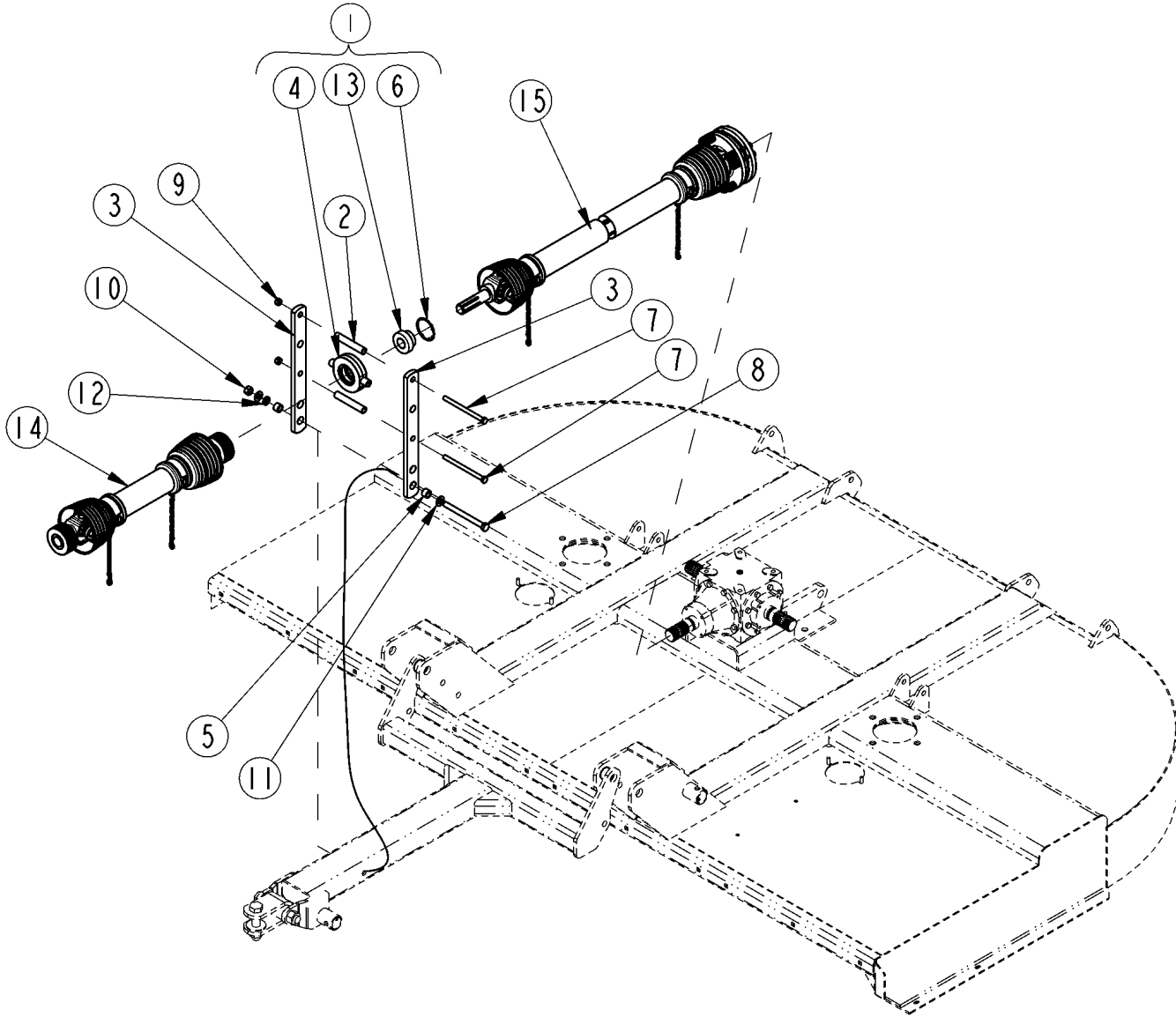
22333

**Deck Blade Drive****Applies to RCR2510, RCR2596, RCRM2510**

Ref	Part No.	Part Description	Comments	Revision
	dwg22333	Drawing Image Number		
1.	312-765H	SHIELD BRACKET WELDMENT		
2.	312-767H	DISHPAN WELDMENT 15" CTR	RCR2596	
2.	312-748H	DISHPAN WELDMENT 17" CTR	RCR(M)2510	
3.	312-769S	RCR2596 CW BLADE CARRIER ASSY	Right Hand	
3.	312-749S	RCR2510 CW BLADE CARRIER ASSY	Right Hand	
4.	312-770S	RCR2596 CCW BLADE CARRIER ASSY	Left Hand	
4.	312-750S	RCR2510 CCW BLADE CARRIER ASSY	Left Hand	
5.	326-116D	OUTER SHIELD	RCR2596	
5.	326-101D	OUTER SHIELD	RCR2510	
6.	802-034C	HHCS 1/2-13X1 1/4 GR5		
7.	802-065C	HHCS 3/4-10X2 1/4 GR5	(S/N 558465+)	
7.	802-064C	HHCS 3/4-10X2 GR5	(S/N 558464-)	
8.	802-277C	BLADE BOL 1 1/8-12X3 7/16 W/KY		
9.	802-314C	HHCS M8X1.25X20 GR8.8		
10.	803-170C	NUT HEX TOP LOCK 1 1/8-12 PLT.		
11.	803-299C	NUT HEX FLG TOP LK 3/4-10 PLT		
12.	804-015C	WASHER LOCK SPRING 1/2 PLT		
13.	804-147C	WASHER FLAT 1 HARD ASTMF436 PN		
14.	804-157C	WASHER SPRING LOCK M8 PLT		
15.	804-161C	WASHER FLAT M8 PLT		
16.	817-165C	GRBOX SHAFT(1 3/4OD) PROTECTOR		
17.	817-259C	KNOB 3/8-16 FEMALE THD 2 3/8OD		
18.	820-195C	CUTTER BLADE 1/2X4X20 1/2 CCW	RCR2596 Standard	
18.	820-210C	CUTTER BLADE 1/2X4X20.5 LL CCW	RCR2596 Optional	
18.	820-137C	CUTTER BLADE 1/2 X 4 X 25 CCW	RCR2510 RCRM2510 Standard	
18.	820-193C	CUTTER BLADE 1/2X4X25 LL CCW	RCR2510 RCRM2510 Optional	
19.	820-196C	CUTTER BLADE 1/2X4X20 1/2 CW	RCR2596 Standard	
19.	820-211C	CUTTER BLADE 1/2X4X20.5 LL CW	RCR2596 Optional	
19.	820-112C	CUTTER BLADE 1/2 X 4 X 25 CW	RCR2510 RCRM2510 Standard	
19.	820-209C	CUTTER BLADE 1/2X4X25 LL CW	RCR2510 RCRM2510 Optional	
20.	826-255C	PTO STD.W/4-PLATE SC CAT4 540	RCR2596	
20.	826-215C	PTO STD.W/4-PLATE SC CAT4 540	RCR2510	
20.	826-216C	PTO STD.W/2-PLATE SC CAT4 1000	RCRM2510	
21.	826-356C	T-BOX 1.75-20 1:1.35	RCR2596 RCR2510	
21.	826-356C81	T-BOX 1.75-20 1:1.35 GREEN		
21.	826-356C82	T-BOX 1.75-20 1:1.35 ORANGE		
21.	826-356C83	T-BOX 1.75-20 1:1.35 RED		
21.	826-424C	T-BOX 1.75-20 1.35:1	RCRM2510	
21.	826-424C81	T-BOX 1.75-20 1.35:1 GREEN		
21.	826-424C82	T-BOX 1.75-20 1.35:1 ORANGE		
21.	826-424C83	T-BOX 1.75-20 1.35:1 RED		
22.	826-358C	GBOX 1:1.50 STD. 1.38-6 SPL.		
22.	826-358C81	GBOX 1:1.50 STD. 1.38-6 SPL. GREEN		
22.	826-358C82	GBOX 1:1.50 STD. 1.38-6 SPL. ORANGE		
22.	826-358C83	GBOX 1:1.50 STD. 1.38-6 SPL. RED		
23.	826-360C	FLEX CPLR 1.75-20 TO 1.38-6 S	RCR2596	
23.	826-359C	FLEX CPLR 1.75-20 TO 1.38-6	RCR2510 RCRM2510	
24.	312-075D	BLADE SPACER 16 GA .06 thick	As Required	
24.	312-082D	BLADE SPACER 18 GA .05 thick	As Required	
24.	312-089D	BLADE SPACER 20 GA .04 thick	As Required	
24.	312-808D	BLADE SPACER 24GA .03 thick	As Required	
25.	800-001C	GREASE ZERK STRAIGHT 1/4-28		
26.	826-497C	COMER VENT #8.6.7.00269		

# Equal Angle Pull Type Driveline

Applies to RCR2510, RCR2596, RCRM2510



22341

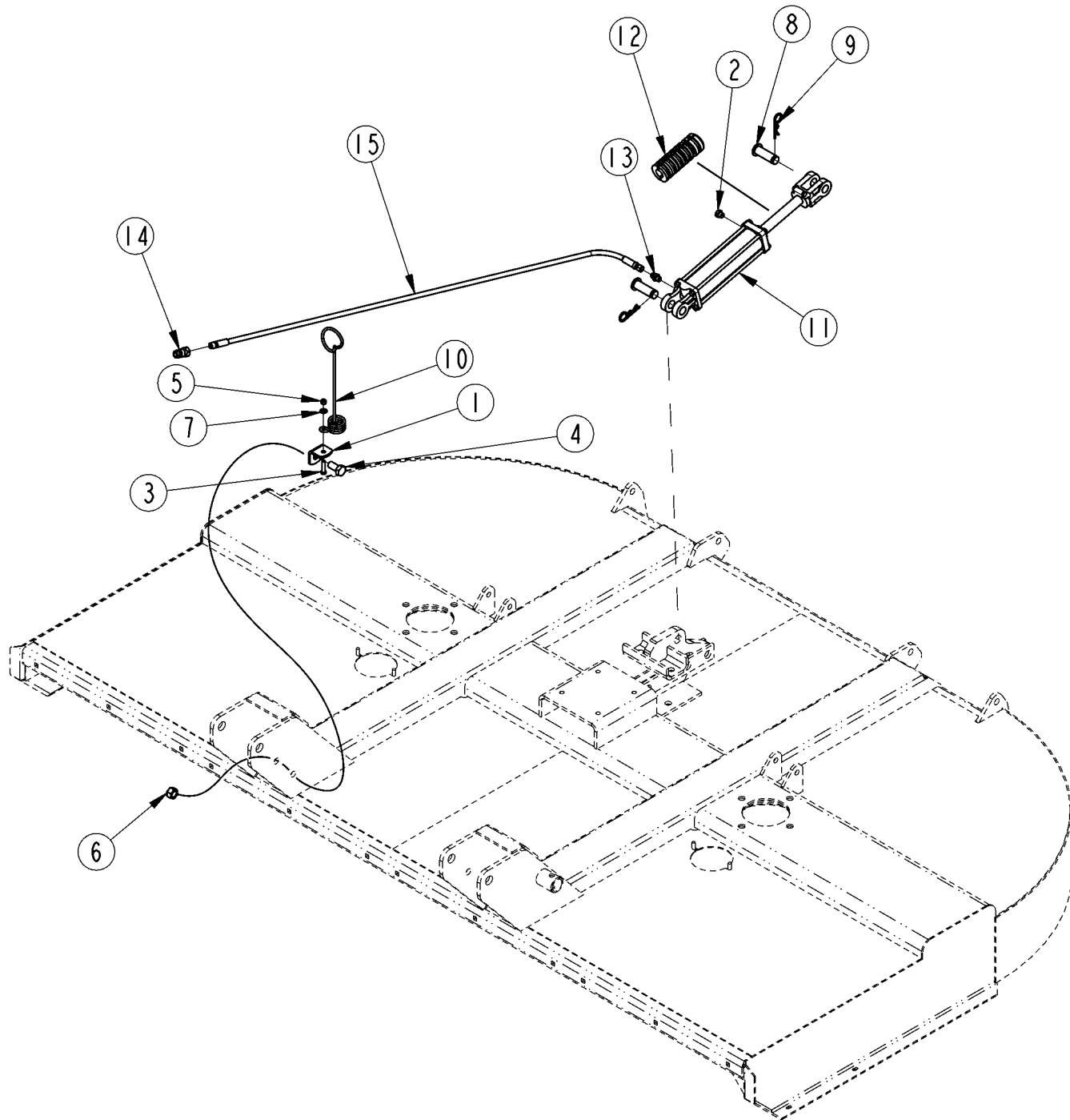


***Equal Angle Pull Type Driveline*****Applies to RCR2510, RCR2596, RCRM2510**

<b>Ref</b>	<b>Part No.</b>	<b>Part Description</b>	<b>Comments</b>	<b>Revision</b>
	dwg22341	Drawing Image Number		
1.	312-681S	BEARING FLANGE ASSY.		
2.	312-715D	PIPE 1/2 SCH. 40 X 4 15/16		
3.	312-833D	BEARING SUPPORT		
4.	312-999D	BEARING FLANGE		
5.	326-002D	TUBE 1 OD X 11/16 LG. X 5/32w		
6.	800-069C	SNAP RING INT 2.835		
7.	802-260C	HHCS 1/2-13X7 GR5		
8.	802-262C	HHCS 5/8-11X7 GR5		
9.	803-019C	NUT LOCK 1/2-13 PLT		
10.	803-021C	NUT HEX 5/8-11 PLT		
11.	804-021C	WASHER FLAT 5/8 SAE PLT		
12.	804-022C	WASHER LOCK SPRING 5/8 PLT		
13.	822-100C	BRG 1 3/8 B X 72MM OD W/COLLAR		
14.	826-151C	PTO CAT. 4 X 20.5 FIXED 540	RCR2596 RCR2510	
14.	826-223C	PTO CAT. 4 X 22 FIXED 1000	RCRM2510	
15.	826-220C	PTO CAT. 4 JACK SHAFT 540	RCR2510	
15.	826-256C	PTO J/S.W/4-PLATE SC CAT4 540	RCR2596	
15.	826-221C	PTO CAT. 4 JACK SHAFT 1000	RCRM2510	

# Hydraulic Lift

Applies to RCR2510, RCR2596, RCRM2510



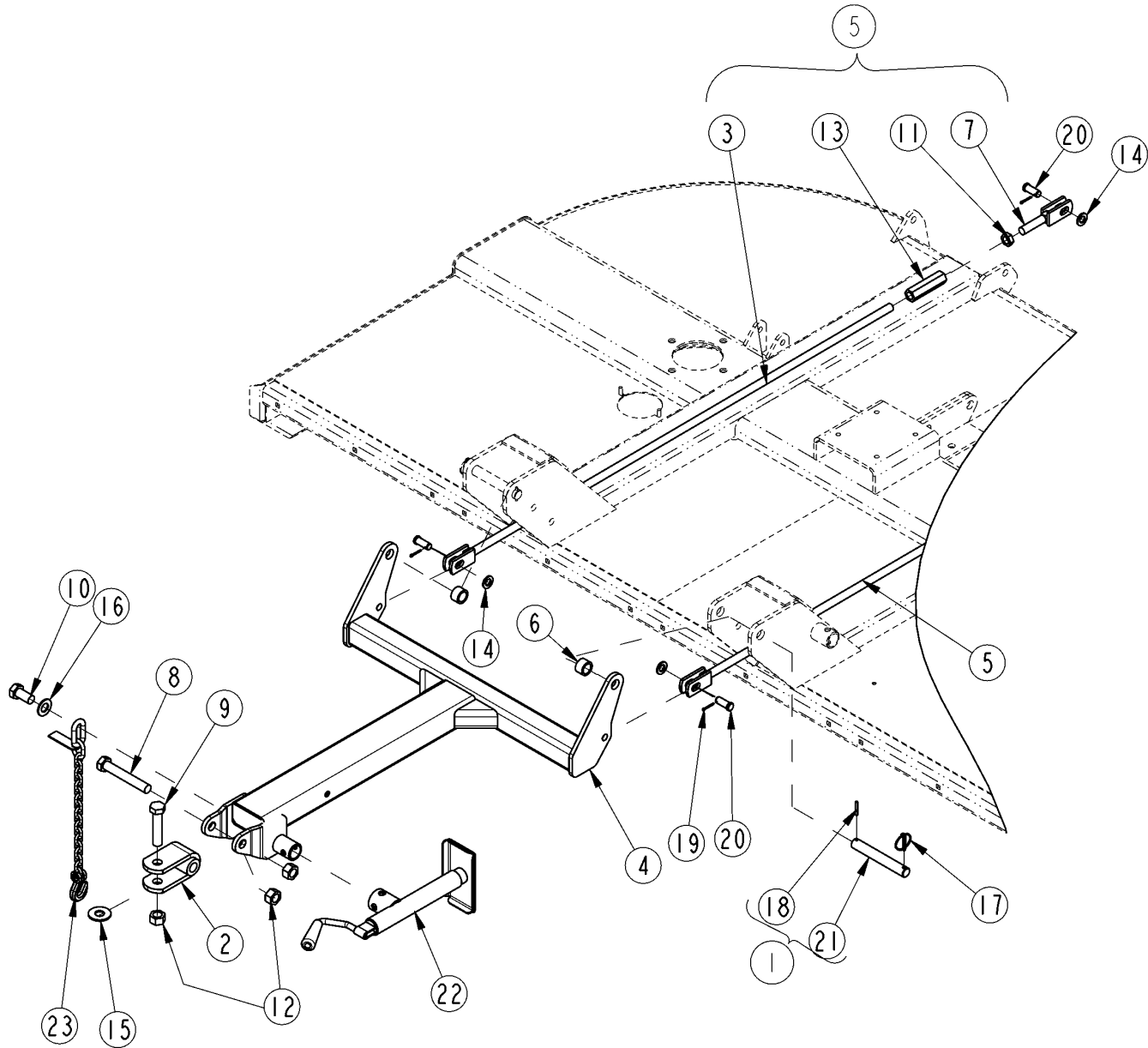
22343

**Hydraulic Lift****Applies to RCR2510, RCR2596, RCRM2510**

<b>Ref</b>	<b>Part No.</b>	<b>Part Description</b>	<b>Comments</b>	<b>Revision</b>
	dwg22343	Drawing Image Number		
	312-534A	HYDRAULIC LIFT COMPLETE		
1.	312-729D	HOSE HOLDER BRACKET		
2.	800-117C	VENT PLUG - 9/16-18 PLATED		
3.	802-022C	HHCS 3/8-16X1 1/2 GR5		
4.	802-184C	HHCS 3/4-10X1 1/2 GR5		
5.	803-013C	NUT LOCK 3/8-16 PLT		
6.	803-026C	NUT TOP LOCK 3/4-10 PLT		
7.	804-012C	WASHER FLAT 3/8 SAE PLT		
8.	805-004C	PIN CLEVIS 1 X 2 3/4 USABLE LG		
9.	805-088C	PIN, HAIR COTTER 3/16 WIRE DIA		
10.	807-023C	SPRING HOSE LOOP		
11.	810-200C	CYL 2.5X8X1.12 ROD (TIE)1 PIN		
12.	810-242C	STROKE CONTROL SPACERS 1 1/8		
13.	811-170C	AD 9/16MORB 9/16MJIC		
14.	811-394C	CP 3/4FORB MALE QD POPPET TYPE		
15.	811-676C	HH3/8R1 144 3/4MORB 9/16FJIC		

**Pull Type**

Applies to RCR2510, RCR2596, RCRM2510



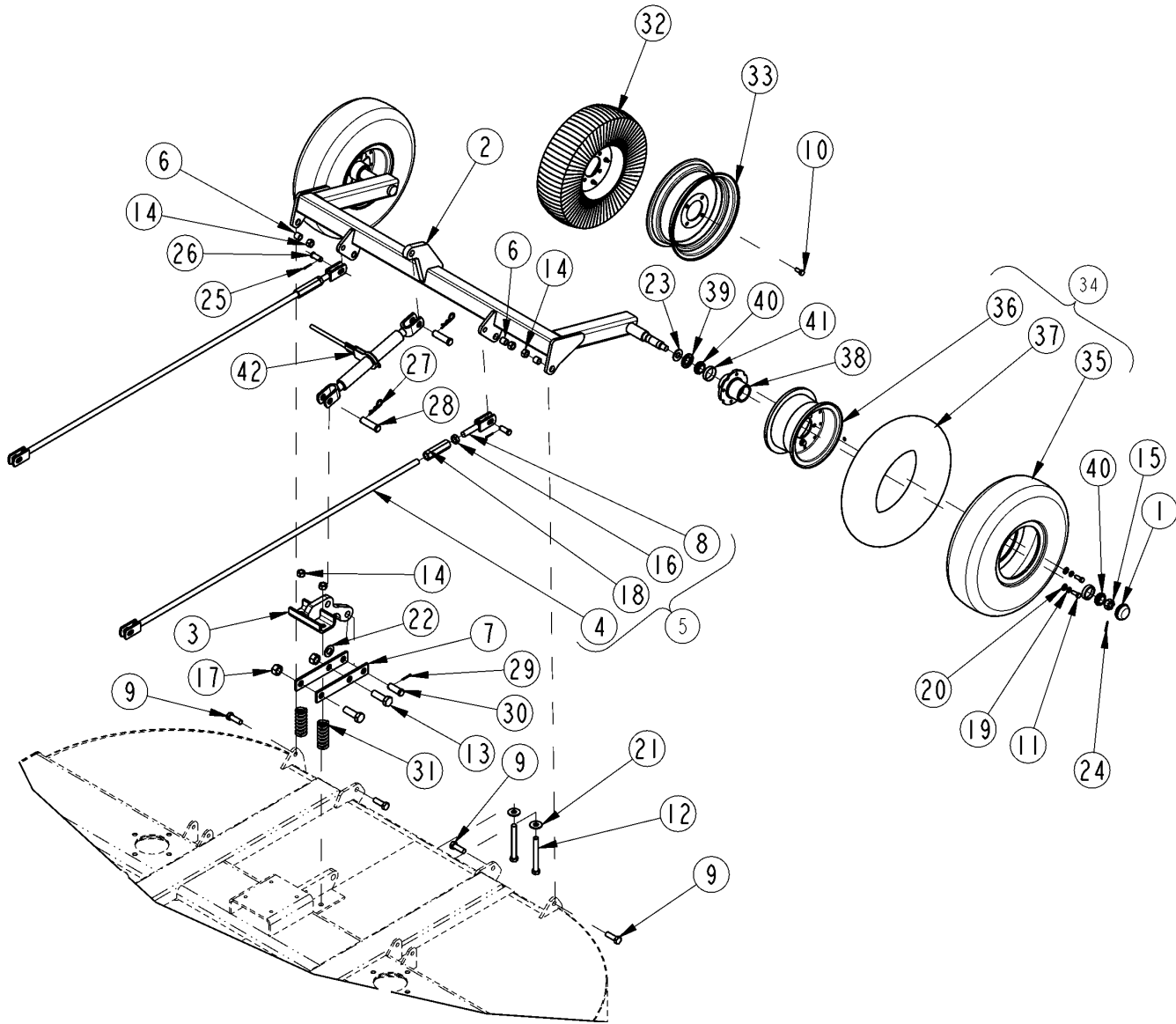
22335

**Pull Type****Applies to RCR2510, RCR2596, RCRM2510**

<b>Ref</b>	<b>Part No.</b>	<b>Part Description</b>	<b>Comments</b>	<b>Revision</b>
	dwg22335	Drawing Image Number		
1.	300-202S	PIN 1 1/8 OD X 7 1/8 USABLE	RCR2510 RCRM2510	
2.	312-421H	CLEVIS WELDMENT		
3.	312-516H	LONG LEVEL ROD WLDMT	RCR2510 RCRM2510	
3.	312-613H	WLDMT LEVEL ROD LONG	RCR2596	
4.	312-536H	WLDMT TONGUE LONG	RCR2510 RCRM2510	
4.	312-513H	TONGUE WELDMENT	RCR2596	
5.	312-549L	ASSY. LEVEL ROD	RCR2510 RCRM2510	
5.	312-629L	ASSY. LEVEL ROD	RCR2596	
6.	312-733D	TUBE 1 5/8 OD X 7/32 WL X1 LG.	RCR2596 RCR2510 RCRM2510	
7.	318-008H	WLDMT. LEVEL ROD SHORT		
8.	802-074C	HHCS 1-8X6 1/2 GR5		
9.	802-098C	HHCS 1-8X4 1/2 GR5		
10.	802-634C	HHCS 1-8X2 GR5		
11.	803-075C	NUT HEX JAM 7/8-9		
12.	803-168C	NUT HEX TOP LOCK 1-8 PLT		
13.	803-265C	NUT HEX COUPLER 7/8-9 x 5		
14.	804-025C	WASHER FLAT 3/4 SAE PLT		
15.	804-028C	WASHER FLAT 1 USS PLT		
16.	804-029C	WASHER FLAT 1 SAE		
17.	805-015C	PIN LYNCH 5/16 X 1 3/4	RCR2510 RCRM2510	
18.	805-041C	PIN ROLL 1/4X1 3/4	RCR2510 RCRM2510	
19.	805-045C	PIN COTTER 5/32 X 1 1/4 LG		
20.	805-083C	PIN CLEVIS 3/4 X 1 1/2		
21.	805-301C	PIN 1 1/8 OD X 7 1/8 USABLE	RCR2510 RCRM2510	
22.	890-118C	SCREW JACK 2000# 14-24 TOP-WND		
23.	890-182C	SAFETY CHAIN 10000 LB		

# Pull Type Axle and Tires

Applies to RCR2510, RCR2596, RCRM2510



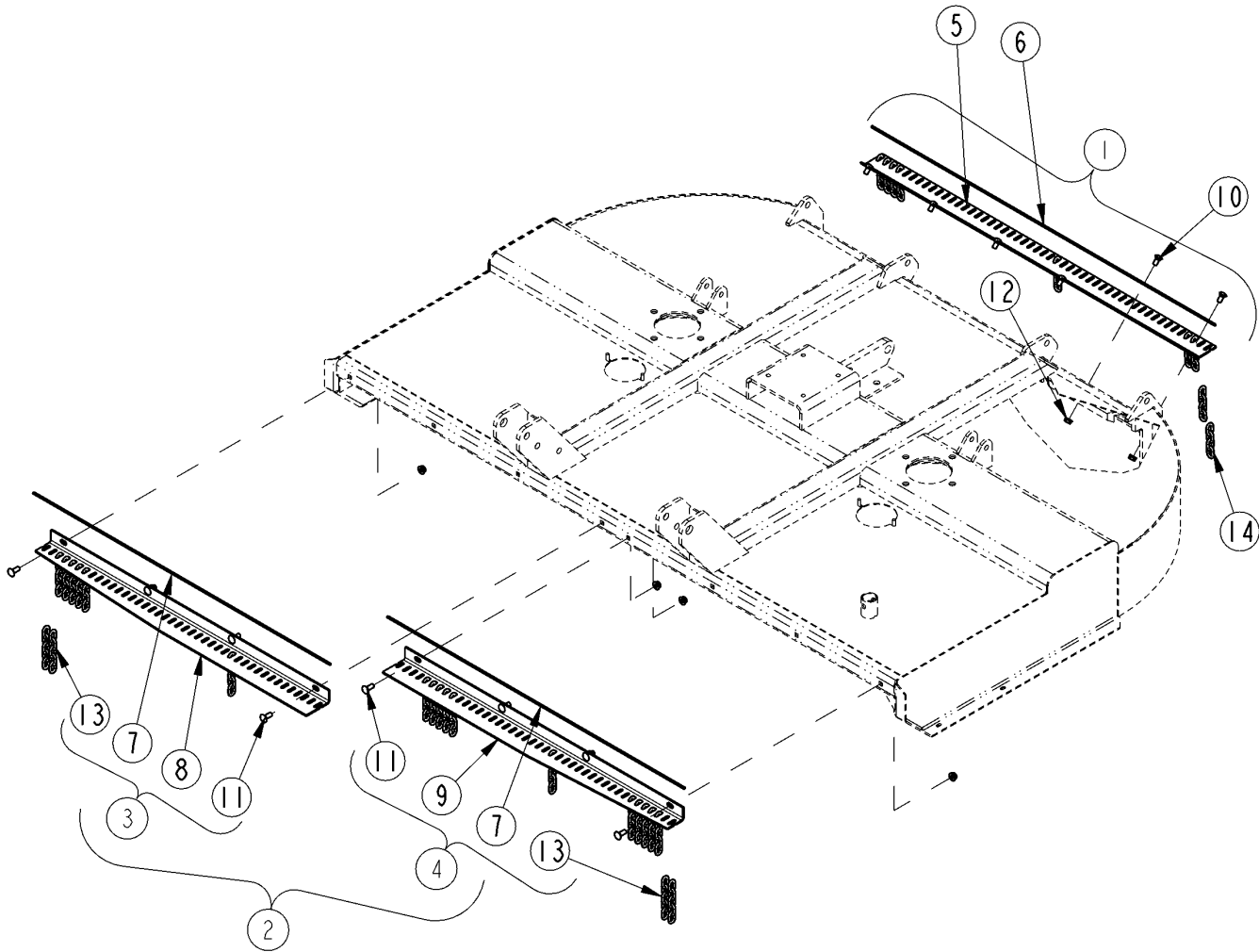
22336

***Pull Type Axle and Tires*****Applies to RCR2510, RCR2596, RCRM2510**

<b>Ref</b>	<b>Part No.</b>	<b>Part Description</b>	<b>Comments</b>	<b>Revision</b>
	dwg22336	Drawing Image Number		
1.	200-001D	HUB GREASE CAP		
2.	312-511H	AXLE WELDMENT	RCR2510 RCRM2510	
2.	312-475H	AXLE WELDMENT	RCR2596	
3.	312-515H	SPRING SHOCK WLDMT		
4.	312-516H	LONG LEVEL ROD WLDMT	RCR2510 RCRM2510	
4.	312-613H	WLDMT LEVEL ROD LONG	RCR2596	
5.	312-549L	ASSY. LEVEL ROD	RCR2510 RCRM2510	
5.	312-629L	ASSY. LEVEL ROD	RCR2596	
6.	312-712D	TUBE 1 OD X 12 GA X 15/16 LG.		
7.	312-804D	SPRING SHOCK SUPPORT		
8.	318-008H	WLDMT. LEVEL ROD SHORT		
9.	802-065C	HHCS 3/4-10X2 1/4 GR5		
10.	802-104C	BOLT WHEEL 1/2-20X1 90-DEG		
11.	802-326C	HHCS 1/2-20X1 1/4 GR5		
12.	802-360C	HHCS 3/4-10X6 1/2 GR5		
13.	802-368C	HHCS 1-8X3 GR5		
14.	803-026C	NUT LOCK 3/4-10 PLT		
15.	803-029C	NUT HEX SLOTTED 7/8-14 PLT		
16.	803-075C	NUT HEX JAM 7/8-9		
17.	803-168C	NUT HEX TOP LOCK 1-8 PLT		
18.	803-265C	NUT HEX COUPLER 7/8-9 x 5		
19.	804-015C	WASHER LOCK SPRING 1/2 PLT		
20.	804-016C	WASHER FLAT 1/2 SAE PLT		
21.	804-024C	WASHER FLAT 3/4 USS PLT		
22.	804-029C	WASHER FLAT 1 SAE		
23.	804-055C	WASHER SPINDLE - 7/8		
24.	805-016C	PIN COTTER 3/16 X 1 1/4 PLT		
25.	805-045C	PIN COTTER 5/32 X 1 1/4 LG		
26.	805-083C	PIN CLEVIS 3/4 X 1 1/2		
27.	805-088C	PIN, HAIR COTTER 3/16 WIRE DIA		
28.	805-090C	PIN CLEVIS 1 X 3 3/16 LG		
29.	805-104C	PIN COTTER 3/16 X 1 1/2 PLT		
30.	805-187C	PIN CLEVIS 1 X 2 1/4 GR5 PLT		
31.	807-143C	SPRING COMP 1.88OD x .362W		
32.	814-059C	TIRE & WHEEL LAM. 6X9X21(TALL)		
33.	814-066C	WHEEL 15 X 5 X 4 BOLT		
34.	814-263C	AC TIRE 24 X 7.7 2PC		
35.	814-266C	TIRE 24X7.7-14 (814-263C)		
36.	814-267C	RIM 2PC. 4BLT 10X6 BLACK		
37.	814-268C	TUBE FOR 24X7.7-14 (814-263C)		
38.	815-093C	HUB 4 BOLT WHL W/CUPS & ZERK		
39.	816-098C	SEAL 1 3/8 ID X 2.441 OD X.313		
40.	822-091C	BEARING CONE 15123		
41.	822-092C	BEARING CUP 15245		
42.	890-177C	RATCHET JACK - HEAVY DUT		

# Guarding Chain

Applies to RCR2596



22338

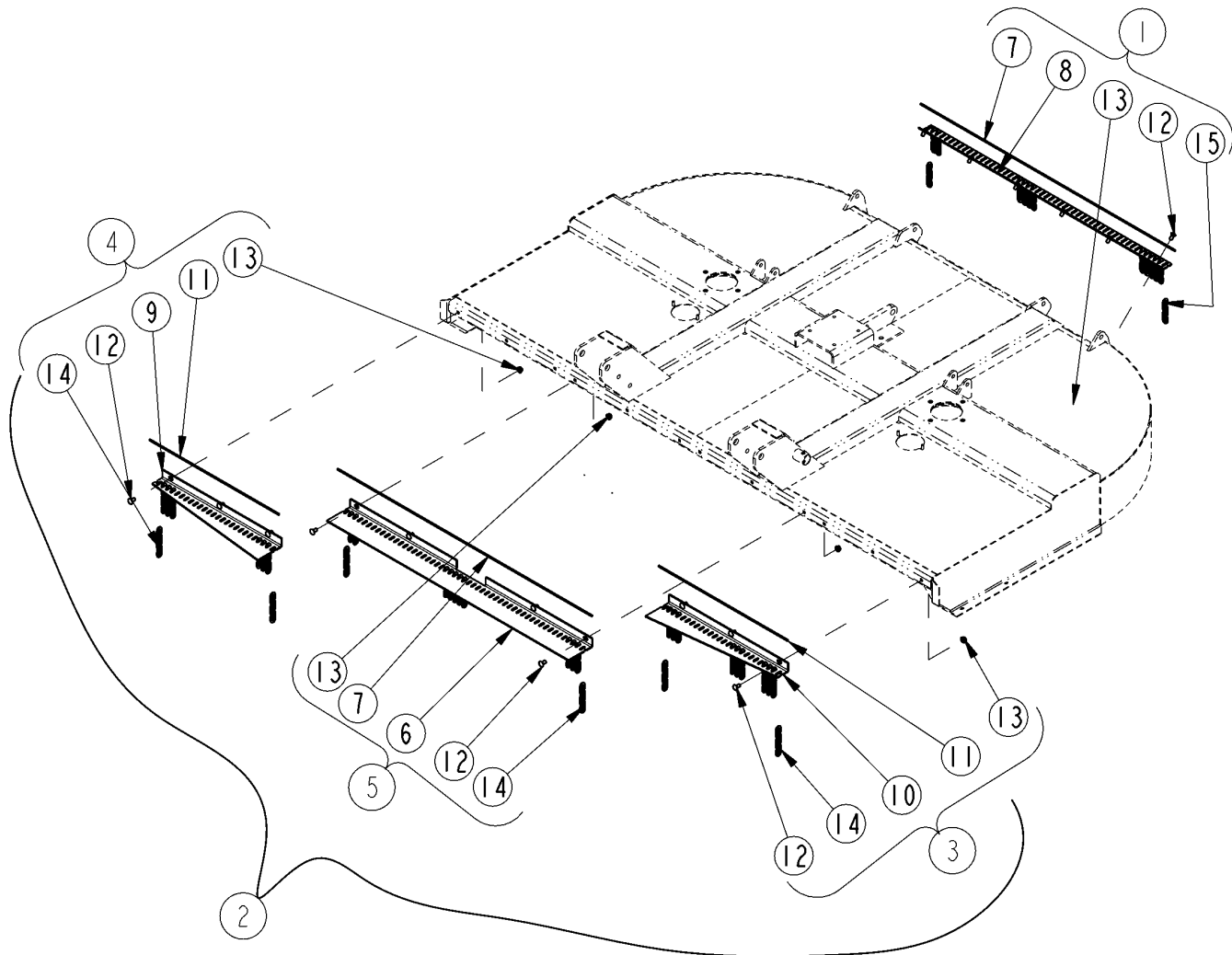


**Guarding Chain****Applies to RCR2596**

<b>Ref</b>	<b>Part No.</b>	<b>Part Description</b>	<b>Comments</b>	<b>Revision</b>
	dwg22338	Drawing Image Number		
1.	312-616A	96" REAR CHAIN COMPLETE		
2.	312-775A	96" FRONT CHAIN COMPLETE		
3.	312-777K	FRONT CHAIN GUARD ASSY. RH		
4.	312-778K	FRONT CHAIN GUARD ASSY. LH		
5.	312-940D	REAR CHAINGUARD BRACKET		
6.	312-942D	ROD 1/4 X 59		
7.	312-943D	ROD 1/4 X 51		
8.	326-126D	96 FRONT CHAIN GUARD RH		
9.	326-127D	96 FRONT CHAIN GUARD LH		
10.	802-183C	RHSNB 1/2-13X1 GR5		
11.	802-214C	RHSNB 1/2-13X1 1/4 GR5		
12.	803-037C	NUT HEX WHIZ 1/2-13 PLT		
13.	890-341C	CHAIN WELD 5/16 PROOF X 5 LINK		
14.	890-400C	CHAIN WELD 5/16 PROOF X 4 LINK		

# Guarding Chain

Applies to RCR2510, RCRM2510



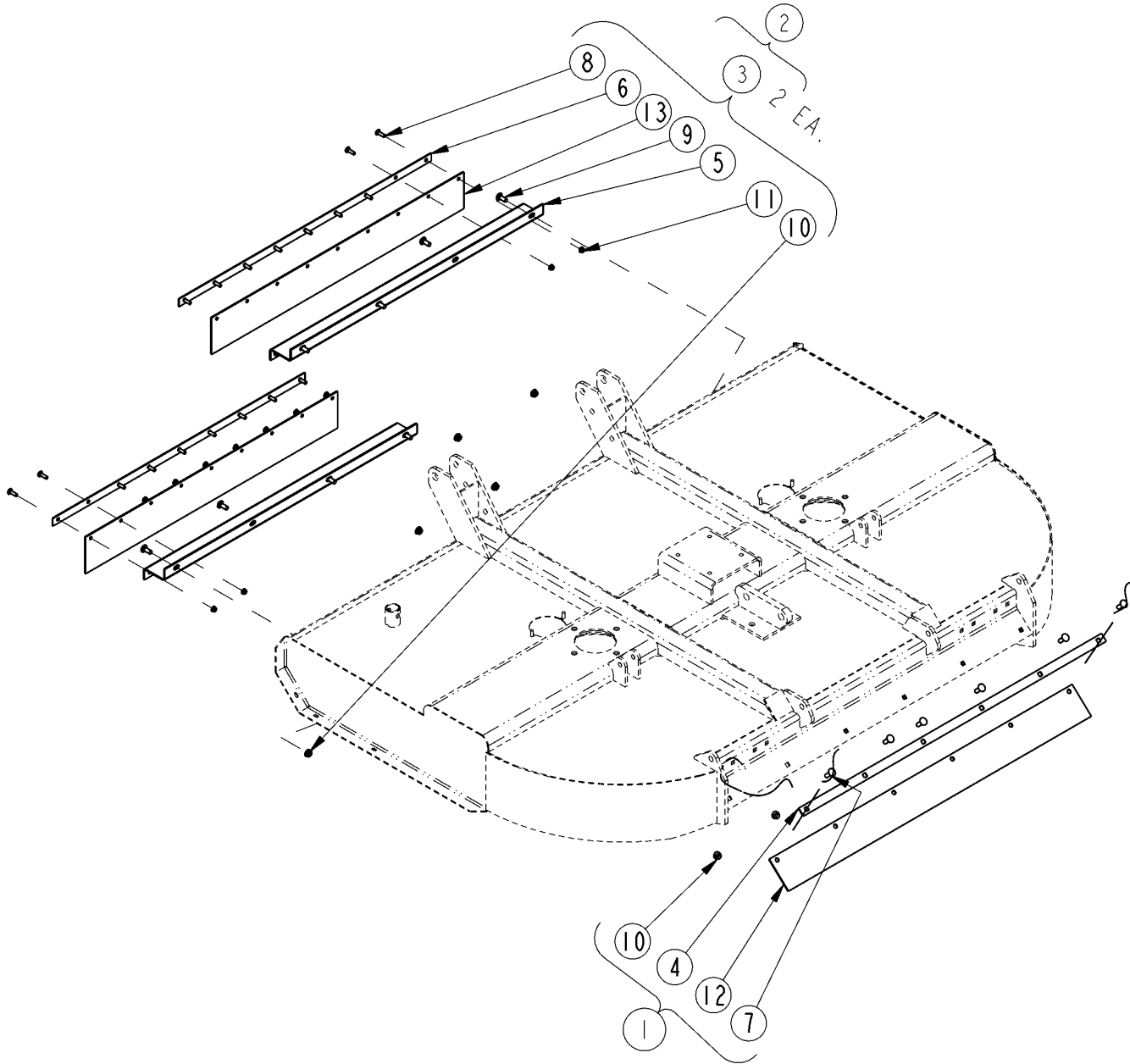
22340

**Guarding Chain****Applies to RCR2510, RCRM2510**

<b>Ref</b>	<b>Part No.</b>	<b>Part Description</b>	<b>Comments</b>	<b>Revision</b>
	dwg22340	Drawing Image Number		
1.	312-503A	3510 REAR CHAIN COMPLETE		
2.	312-751A	2510 FRONT CHAIN COMPLETE		
3.	312-754K	ASSY. FRONT OUTER LH. CHNGRD.		
4.	312-755K	ASSY. FRONT OUTER RH. CHNGRD.		
5.	312-758K	ASSY. FRONT CENTER CHAINGUARD		
6.	312-823D	FRT. CHAINGUARD BRACKET CTR.		
7.	312-826D	ROD 1/4 X 63		
8.	312-827D	REAR CHAINGUARD BRACKET		
9.	326-097D	FRONT CHAINGUARD BRACKET RH		
10.	326-098D	FRONT CHAINGUARD BRACKET LH		
11.	326-099D	ROUND ROD 1/4 X 32		
12.	802-183C	RHSNB 1/2-13X1 GR5		
13.	803-037C	NUT HEX WHIZ 1/2-13 PLT		
14.	890-341C	CHAIN WELD 5/16 PROOF X 5 LINK		
15.	890-400C	CHAIN WELD 5/16 PROOF X 4 LINK		

# Guarding Rubber

Applies to RCR2596



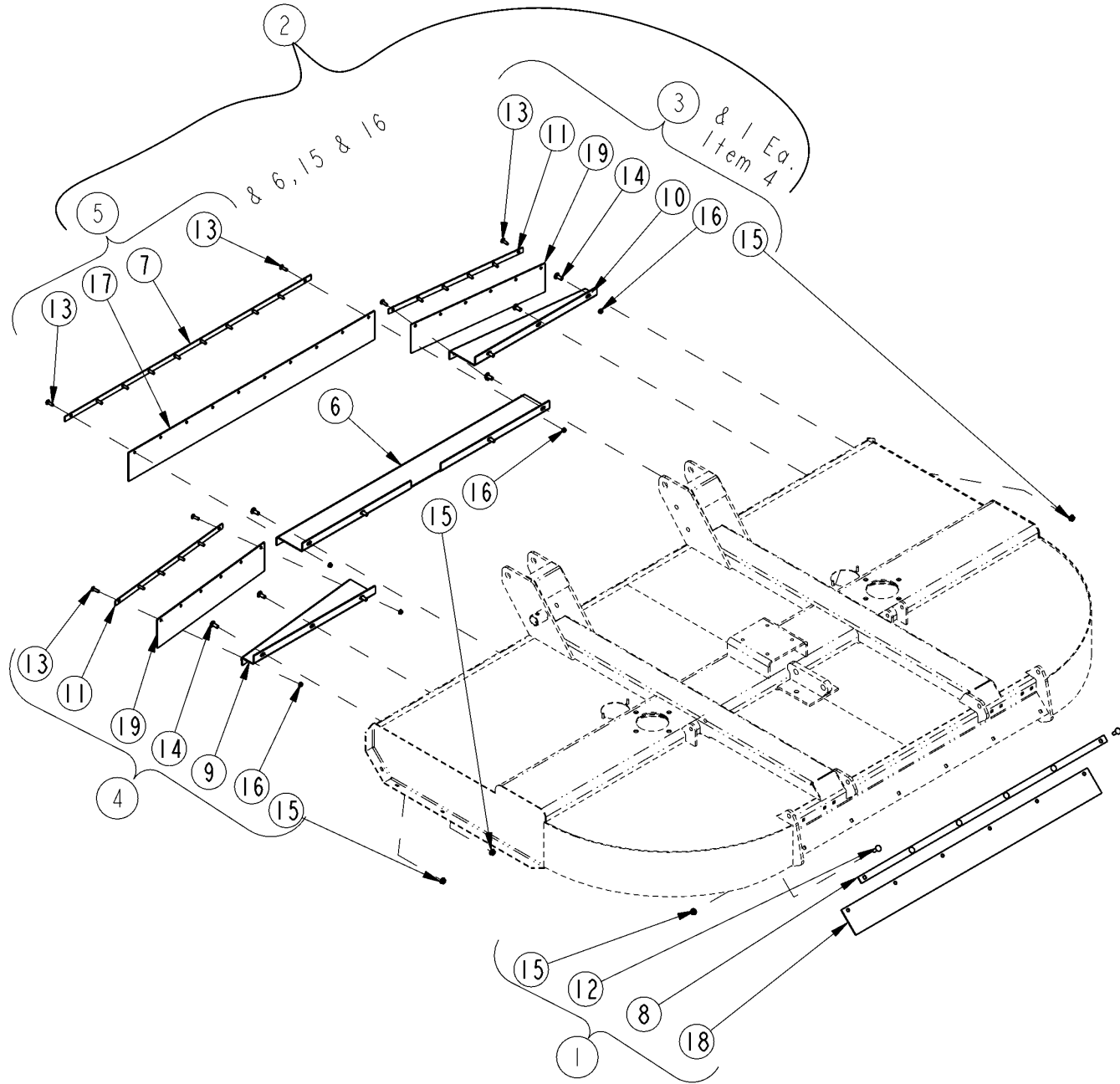
22337

**Guarding Rubber****Applies to RCR2596**

<b>Ref</b>	<b>Part No.</b>	<b>Part Description</b>	<b>Comments</b>	<b>Revision</b>
	dwg22337	Drawing Image Number		
1.	312-618A	96" REAR RUBBER COMPLETE		
2.	312-774A	96" FRONT RUBBER COMPLETE		
3.	312-776K	FRONT RUBBER DEFLECTOR ASSY.	Left Hand or Right Hand	
4.	312-936D	DEFLECTOR STRAP		
5.	326-123D	FRONT DEFLECTOR BRACKET		
6.	326-124D	DEFLECTOR STRAP		
7.	802-106C	RHSNB 1/2-13X1 1/2 GR5		
8.	802-155C	RHSNB 3/8-16X1 1/4 GR5		
9.	802-214C	RHSNB 1/2-13X1 1/4 GR5		
10.	803-037C	NUT HEX WHIZ 1/2-13 PLT		
11.	803-198C	NUT HEX WHIZ 3/8-16 PLT		
12.	816-299C	REAR RUBBER DEFLECTOR		
13.	816-397C	FRONT RUBBER DEFLECTOR		

# Guarding Rubber

Applies to RCR2510, RCRM2510



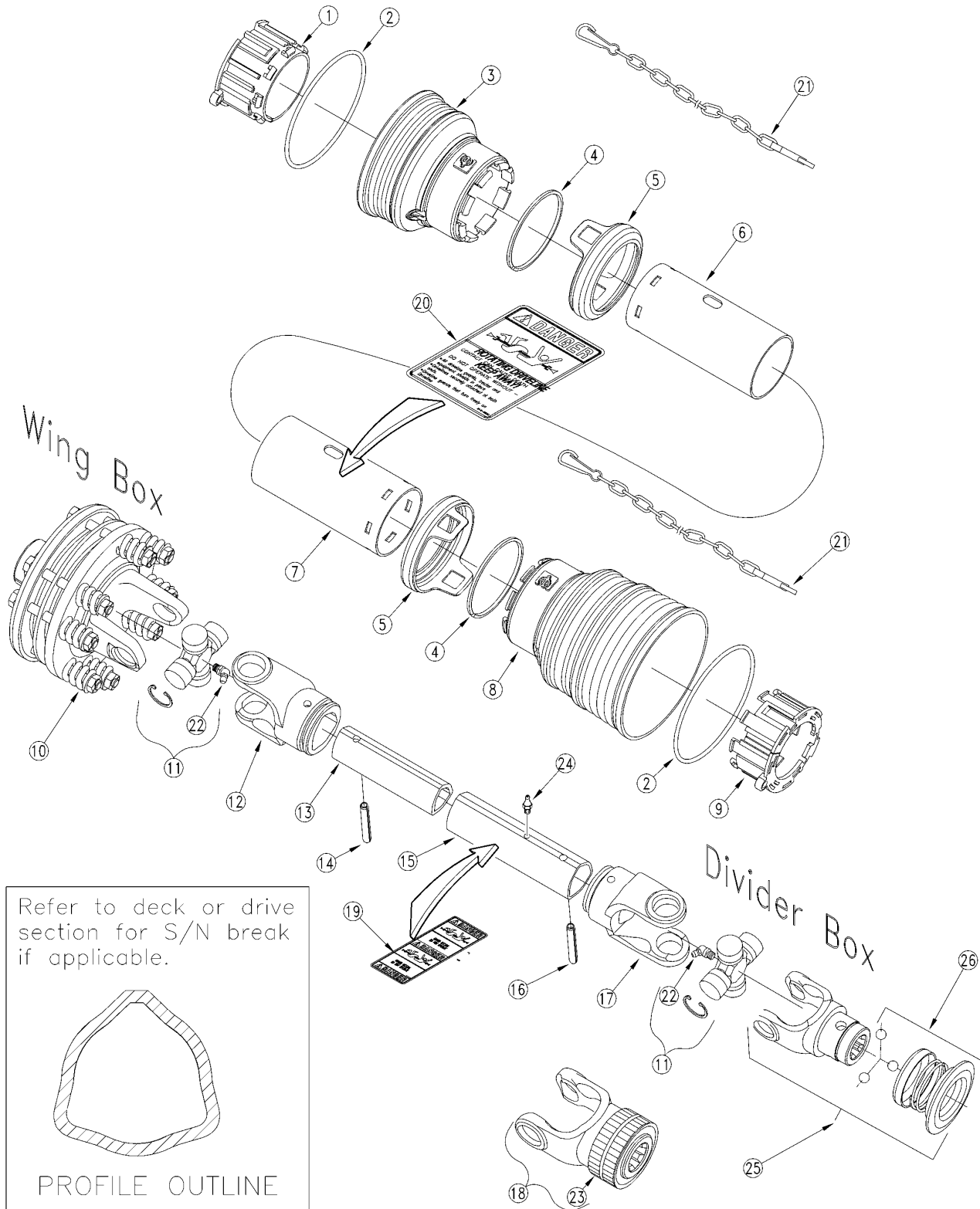
22339

**Guarding Rubber****Applies to RCR2510, RCRM2510**

<b>Ref</b>	<b>Part No.</b>	<b>Part Description</b>	<b>Comments</b>	<b>Revision</b>
	dwg22339	Drawing Image Number		
1.	312-505A	3510 REAR RUBBER COMPLETE		
2.	312-752A	2510 FRONT RUBBER COMPLETE	Includes 1 Ea #3,4 & 5	
3.	312-756K	ASSY. FRT. OUTER RH DEFLECTOR		
4.	312-757K	ASSY. FRT. OUTER LH DEFLECTOR		
5.	312-759K	ASSY. FRONT CENTER DEFLECTOR		
6.	312-830D	FRT. DEFLECTOR BRACKET CTR.		
7.	312-834D	FRT.CTR.DEFLECTOR STRAP		
8.	312-836D	REAR DEFLECTOR STRAP		
9.	326-088D	FRONT DEFLECTOR BRACKET LH		
10.	326-089D	FRONT DEFLECTOR BRACKET RH		
11.	326-095D	DEFLECTOR STRAP		
12.	802-106C	RHSNB 1/2-13X1 1/2 GR5		
13.	802-155C	RHSNB 3/8-16X1 1/4 GR5		
14.	802-214C	RHSNB 1/2-13X1 1/4 GR5		
15.	803-037C	NUT HEX WHIZ 1/2-13 PLT		
16.	803-198C	NUT HEX WHIZ 3/8-16 PLT		
17.	816-272C	FRT. CTR. RUBBER DEFLECTOR		
18.	816-274C	REAR RUBBER DEFLECTOR		
19.	816-384C	FRT OUTER RUBBER DEFLECTOR		

**Driveline 1000 RPM (826-216C) Eurocardan**

**Applies to RCRM2510**



22283

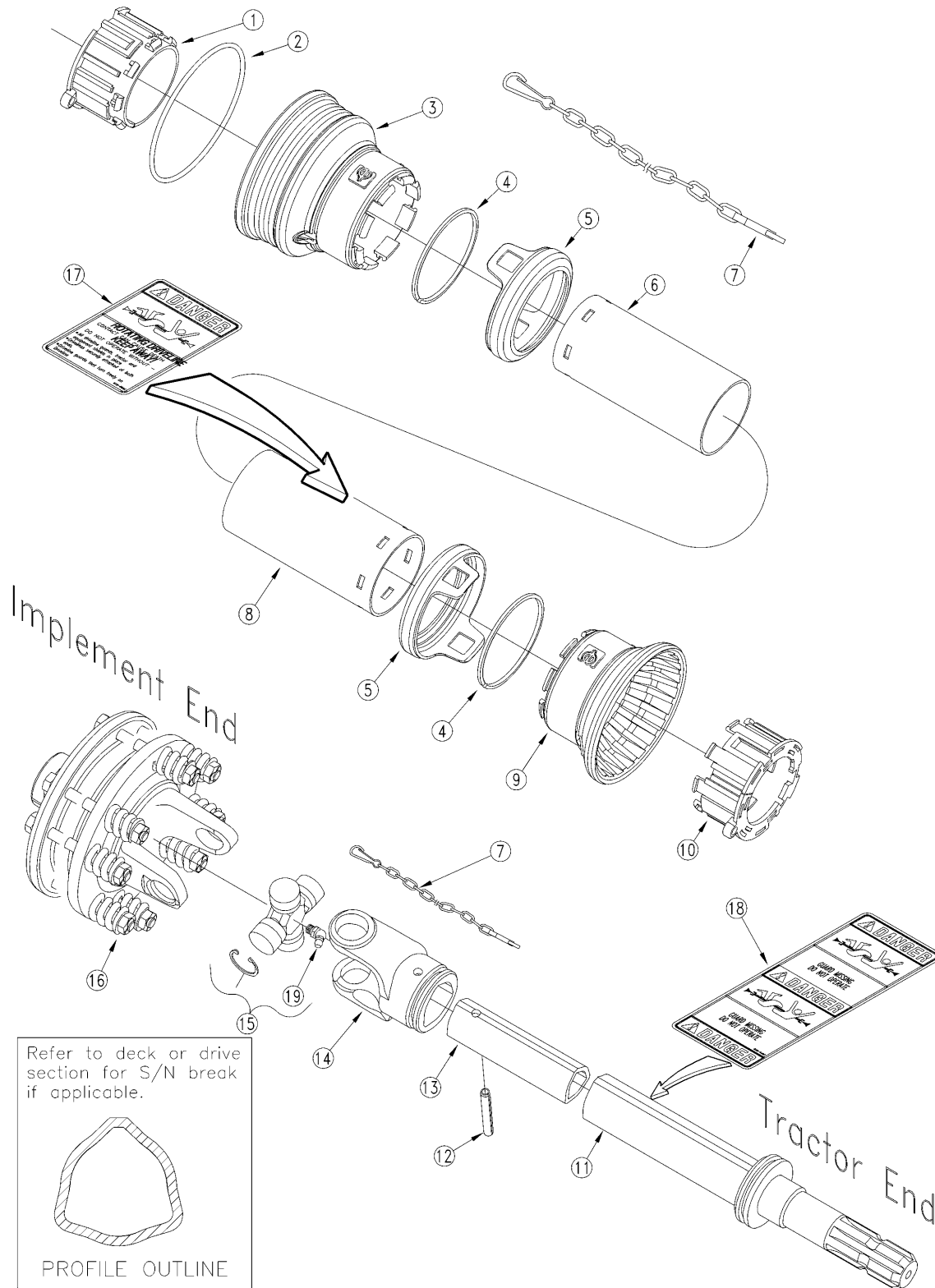


**Driveline 1000 RPM (826-216C) Eurocardan****Applies to RCRM2510**

<b>Ref</b>	<b>Part No.</b>	<b>Part Description</b>	<b>Comments</b>	<b>Revision</b>
	dwg22283	Drawing Image Number		
	826-216C	PTO STD.W/2-PLATE SC CAT4 1000		
1.	1786711	EC TUBE BEARING (INNER TUBE)		
2.	1215733	EC STIFFENING RING		
3.	1885702	EC SHORT CONE		
4.	1215735	EC STOP RING		
5.	1885709	EC SAFETY SLEEVE		
6.	1877067	EC INNER TUBE SHEILD		
7.	1876067	EC OUTER TUBE SHEILD		
8.	1885703	EC STANDARD CONE		
9.	1786710	EC TUBE BEARING (OUTER TUBE)		
10.	1406016	EC CLUTCH FD2/6 1 3/4 20 SPL		
11.	1006020	EC CROSS ASSEMBLY		
12.	1706029	EC INNER TUBE YOKE		
13.	1526077	EC INNER TUBE 770MM		
14.	6331070	EC 10X70 ROLL PIN		
15.	1528077	EC OUTER TUBE 770MM		
16.	6331080	EC 10X80-DIN-1481 O/TUBE R/PIN		
17.	1706027	EC OUTER TUBE YOKE		
18.	1016015	EC YOKE ASSEMBLY (TRACT. END)		
19.	818-540C	DECAL DANGER GUARD MISS PTO		
20.	818-552C	DECAL DANGER PTO DRIVELINE		
21.	044321	DRIVELINE SHIELD SAFETY CHAIN		
22.	6560508	EC GREASE ZERK 8X1 45 DEG.		
23.	1004220	EC TWIST COLLAR KIT (TRT. END)		
24.	6560006	EC GREASE ZERK M6X1 STRAIGHT		
25.	1016017	EC YOKE ASSEMBLY (TRACTOR END)		
26.	1004225	EC PULL COLLAR KIT		

# Driveline 1000 RPM (826-221C) Eurocardan

Applies to RCRM2510



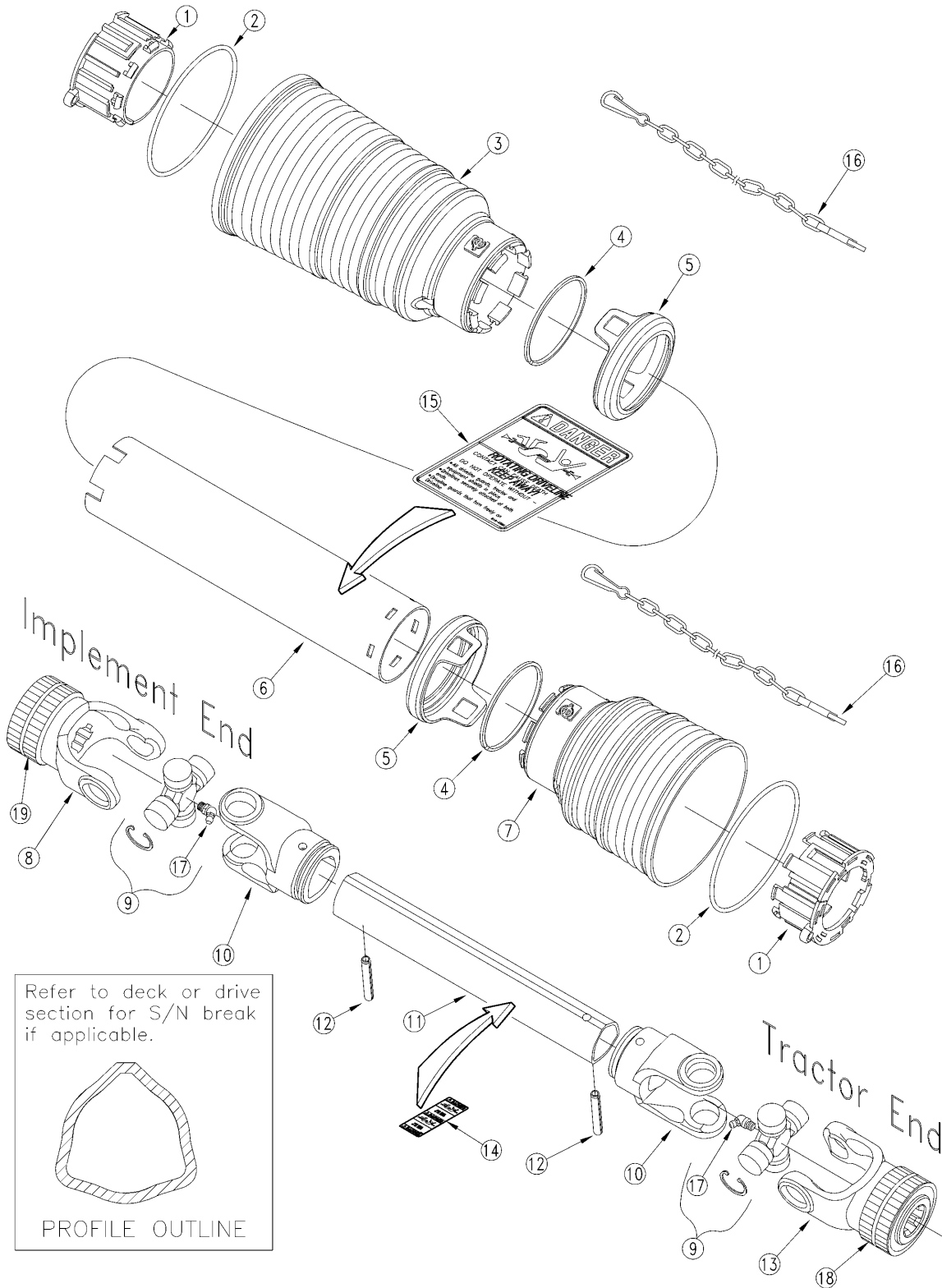
16173

**Driveline 1000 RPM (826-221C) Eurocardan****Applies to RCRM2510**

<b>Ref</b>	<b>Part No.</b>	<b>Part Description</b>	<b>Comments</b>	<b>Revision</b>
	dwg16173	Drawing Image Number		
	826-221C	PTO CAT. 4 JACK SHAFT 1000		
1.	1786711	EC TUBE BEARING (INNER TUBE)		
2.	1215733	EC STIFFENING RING		
3.	1885702	EC SHORT CONE		
4.	1215735	EC STOP RING		
5.	1885709	EC SAFETY SLEEVE		
6.	1877079	EC INNER TUBE SHEILD		
7.	044321	DRIVELINE SHIELD SAFETY CHAIN		
8.	1876079	EC OUTER TUBE SHEILD		
9.	1885705	EC EXTRA SHORT CONE (FOR MX)		
10.	1786710	EC TUBE BEARING (OUTER TUBE)		
11.	1896084N327	EC OUTER TUBE ASSY		
12.	6331070	EC 10X70 ROLL PIN		
13.	1526085	EC INNER TUBE (1526084) 840MM		
14.	1706029	EC INNER TUBE YOKE		
15.	1006020	EC CROSS ASSEMBLY		
16.	1406028	EC TORQUE LIMITER, (FD 2)		
17.	818-552C	DECAL DANGER PTO DRIVELINE		
18.	818-540C	DECAL DANGER GUARD MISS PTO		
19.	6560508	EC GREASE ZERK 8X1 45 DEG.		

# Driveline 1000 RPM (826-223C) Eurocardan

Applies to RCRM2510



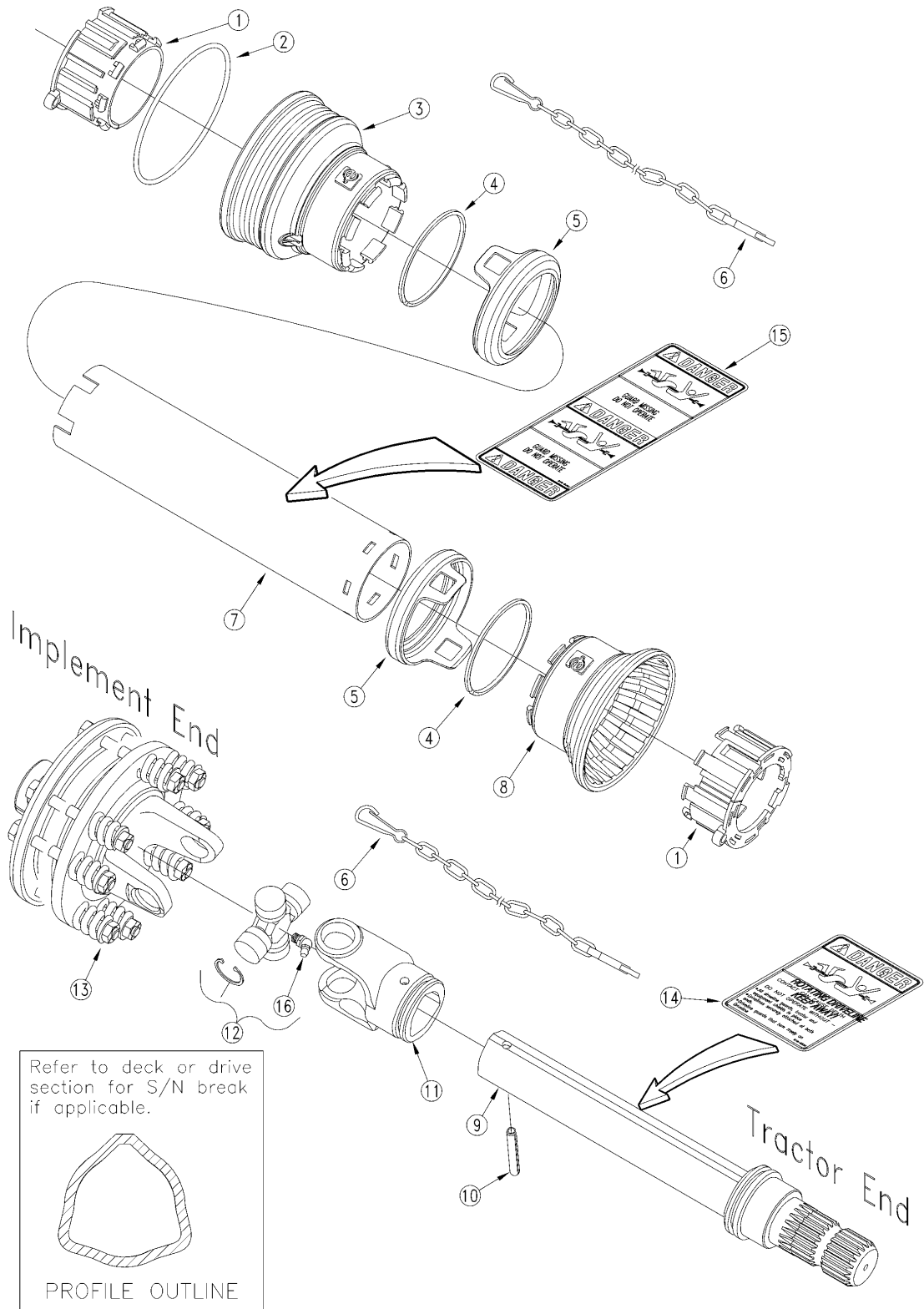
16370

***Driveline 1000 RPM (826-223C) Eurocardan*****Applies to RCRM2510**

<b>Ref</b>	<b>Part No.</b>	<b>Part Description</b>	<b>Comments</b>	<b>Revision</b>
	dwg16370	Drawing Image Number		
	826-223C	PTO CAT. 4 X 22 FIXED 1000		
1.	1786710	EC TUBE BEARING (OUTER TUBE)		
2.	1215733	EC STIFFENING RING		
3.	1885704	EC LONG CONE		
4.	1215735	EC STOP RING		
5.	1885709	EC SAFETY SLEEVE		
6.	1876034D	EC OUTER TUBE 340MM		
7.	1885703	EC STANDARD CONE		
8.	1116010	EC YOKE ASSY 1 3/8-6(IMP. END)		
9.	1006020	EC CROSS ASSEMBLY		
10.	1706027	EC OUTER TUBE YOKE		
11.	1528044D	EC OUTER TUBE		
12.	6331080	EC 10X80-DIN-1481 O/TUBE R/PIN		
13.	1016015	EC YOKE ASSEMBLY (TRACT. END)		
14.	818-540C	DECAL DANGER GUARD MISS PTO		
15.	818-552C	DECAL DANGER PTO DRIVELINE		
16.	044321	DRIVELINE SHIELD SAFETY CHAIN		
17.	6560508	EC GREASE ZERK 8X1 45 DEG.		
18.	1004220	EC TWIST COLLAR KIT (TRT. END)		
19.	1004224	EC TWIST COLLAR KIT (IMP. END)		

# Driveline 1000 RPM (826-226C) Eurocardan

Applies to RCRM2510



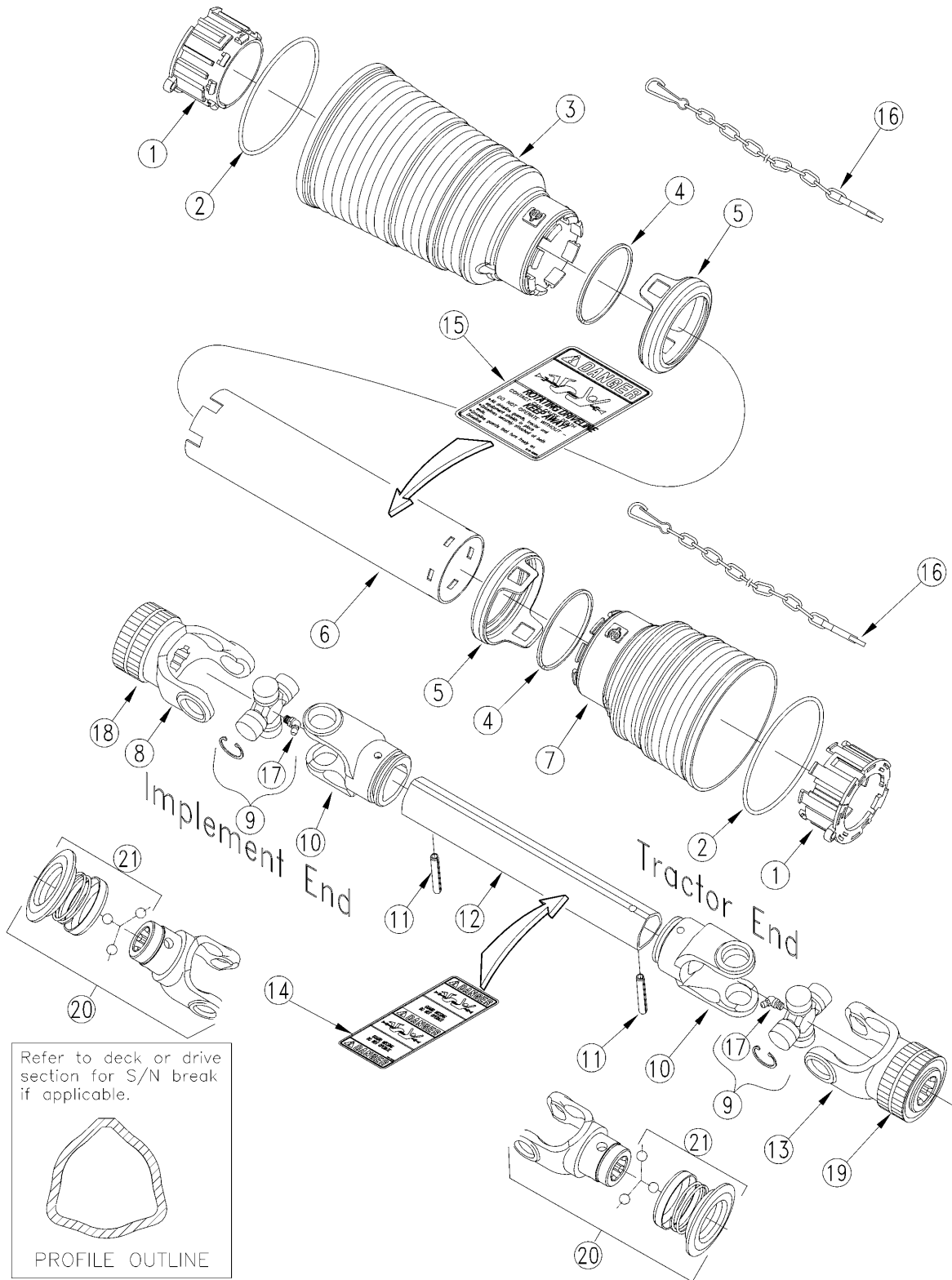
15995

***Driveline 1000 RPM (826-226C) Eurocardan*****Applies to RCRM2510**

<b>Ref</b>	<b>Part No.</b>	<b>Part Description</b>	<b>Comments</b>	<b>Revision</b>
	dwg15995	Drawing Image Number		
	826-226C	PTO W/STUB SHAFT/SC 1000 1 3/4		
1.	1786710	EC TUBE BEARING (OUTER TUBE)		
2.	1215733	EC STIFFENING RING		
3.	1885702	EC SHORT CONE		
4.	1215735	EC STOP RING		
5.	1885709	EC SAFETY SLEEVE		
6.	044321	DRIVELINE SHIELD SAFETY CHAIN		
7.	1876025D	EC OUTER TUBE SHEILD		
8.	1885705	EC EXTRA SHORT CONE (FOR MX)		
9.	1896028S821	EC OUTER TUBE ASSY (HRDND)		Rev. 2
9.	1896028D821	EC OUTER TUBE ASSY		Rev. 1
10.	6331080	EC 10X80-DIN-1481 O/TUBE R/PIN		
11.	1706027	EC OUTER TUBE YOKE		
12.	1006020	EC CROSS ASSEMBLY		
13.	1406016	EC CLUTCH FD2/6 1 3/4 20 SPL		
14.	818-552C	DECAL DANGER PTO DRIVELINE		
15.	818-540C	DECAL DANGER GUARD MISS PTO		
16.	6560508	EC GREASE ZERK 8X1 45 DEG.		

**Driveline 540 RPM (826-151C) Eurocardan**

**Applies to RCR2510, RCR2596**



16610

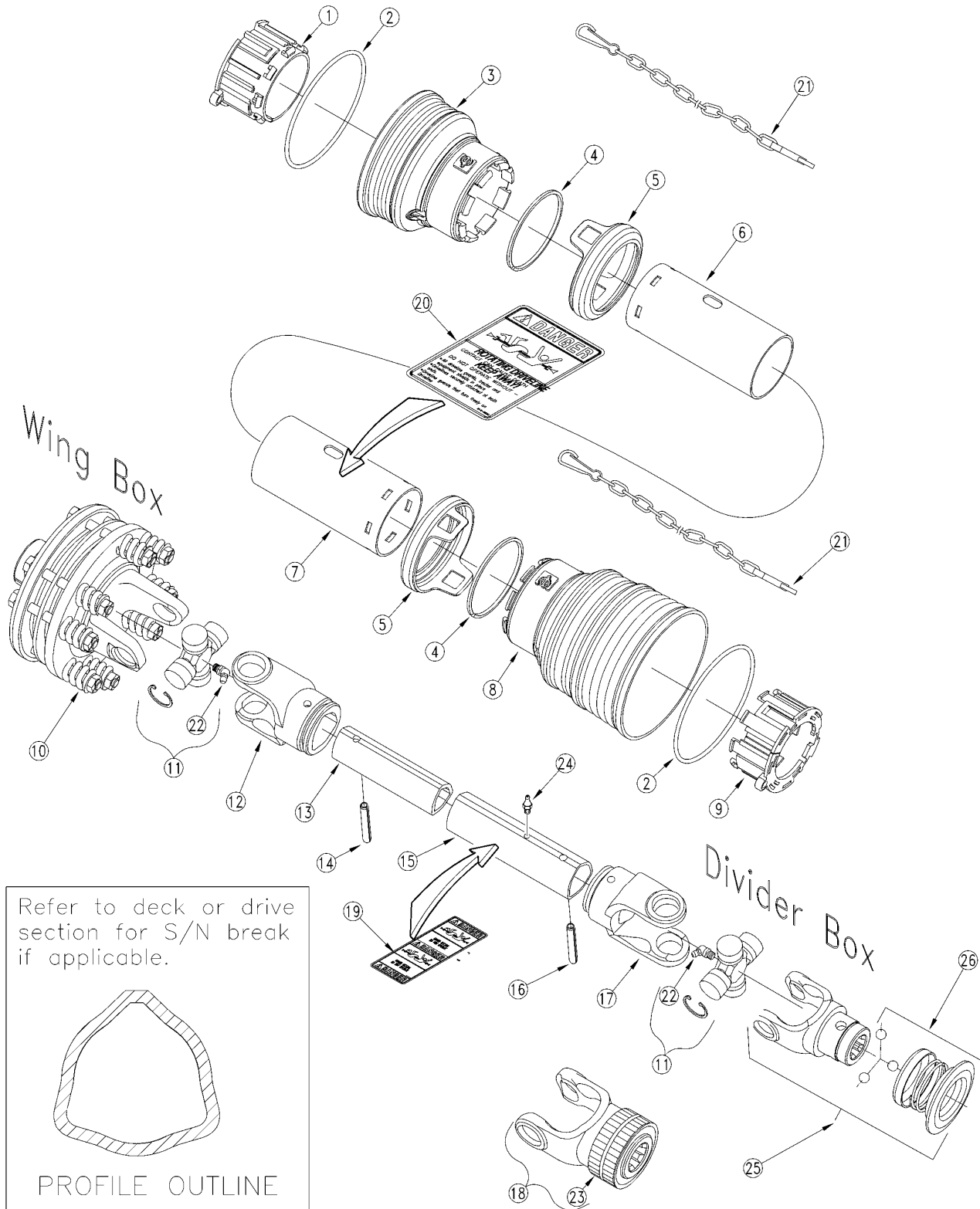


***Driveline 540 RPM (826-151C) Eurocardan*****Applies to RCR2510, RCR2596**

<b>Ref</b>	<b>Part No.</b>	<b>Part Description</b>	<b>Comments</b>	<b>Revision</b>
	dwg16610	Drawing Image Number		
	826-151C	PTO CAT. 4 X 20.5 FIXED 540		
1.	1786710	EC TUBE BEARING (OUTER TUBE)		
2.	1215733	EC STIFFENING RING		
3.	1885704	EC LONG CONE		
4.	1215735	EC STOP RING		
5.	1885709	EC SAFETY SLEEVE		
6.	1876030D	EC OUTER TUBE SHIELD		
7.	1885703	EC STANDARD CONE		
8.	1116010	EC YOKE ASSY 1 3/8-6(IMP. END)		
9.	1006020	EC CROSS ASSEMBLY		
10.	1706027	EC OUTER TUBE YOKE		
11.	6331080	EC 10X80-DIN-1481 O/TUBE R/PIN		
12.	1528040D	EC OUTER TUBE		
13.	1016010	EC YOKE ASSEMBLY (TRACT. END)		
14.	818-540C	DECAL DANGER GUARD MISS PTO		
15.	818-552C	DECAL DANGER PTO DRIVELINE		
16.	044321	DRIVELINE SHIELD SAFETY CHAIN		
17.	6560508	EC GREASE ZERK 8X1 45 DEG.		
18.	1004224	EC TWIST COLLAR KIT (IMP. END)		
19.	1004220	EC TWIST COLLAR KIT (TRT. END)		
20.	1016013	EC YOKE ASSEMBLY		
21.	1004225	EC PULL COLLAR KIT		

**Driveline 540 RPM (826-215C) Eurocardan**

**Applies to RCR2510**



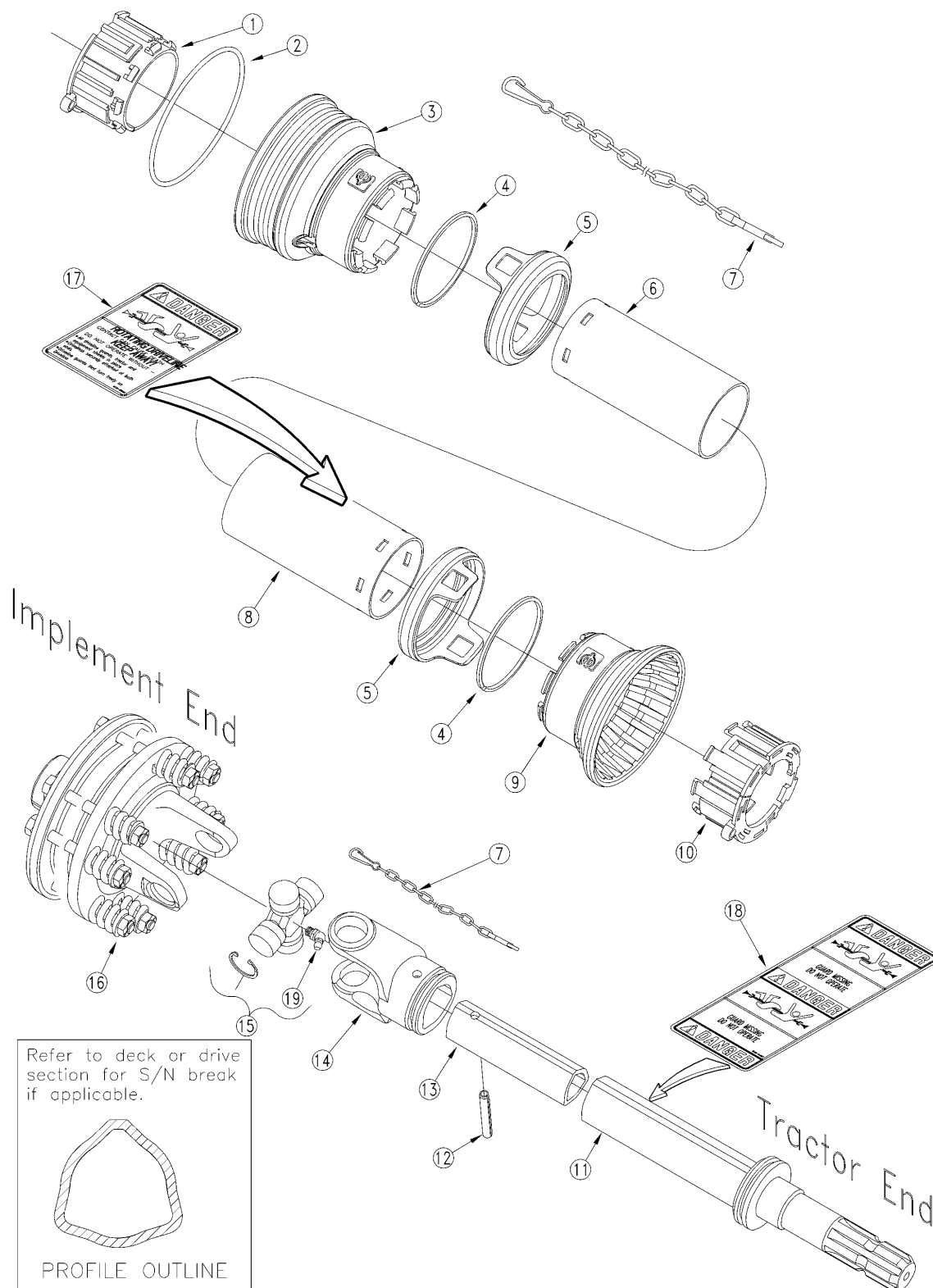
22283

**Driveline 540 RPM (826-215C) Eurocardan****Applies to RCR2510**

<b>Ref</b>	<b>Part No.</b>	<b>Part Description</b>	<b>Comments</b>	<b>Revision</b>
	dwg22283	Drawing Image Number		
	826-215C	PTO STD.W/4-PLATE SC CAT4 540		
1.	1786711	EC TUBE BEARING (INNER TUBE)		
2.	1215733	EC STIFFENING RING		
3.	1885702	EC SHORT CONE		
4.	1215735	EC STOP RING		
5.	1885709	EC SAFETY SLEEVE		
6.	1877067	EC INNER TUBE SHEILD		
7.	1876067	EC OUTER TUBE SHEILD		
8.	1885703	EC STANDARD CONE		
9.	1786710	EC TUBE BEARING (OUTER TUBE)		
10.	1446016	EC CLUTCH FD4/6 1 3/4 20 SPL		
11.	1006020	EC CROSS ASSEMBLY		
12.	1706029	EC INNER TUBE YOKE		
13.	1526077	EC INNER TUBE 770MM		
14.	6331070	EC 10X70 ROLL PIN		
15.	1528077	EC OUTER TUBE 770MM		
16.	6331080	EC 10X80-DIN-1481 O/TUBE R/PIN		
17.	1706027	EC OUTER TUBE YOKE		
18.	1016015	EC YOKE ASSEMBLY (TRACT. END)		
19.	818-540C	DECAL DANGER GUARD MISS PTO		
20.	818-552C	DECAL DANGER PTO DRIVELINE		
21.	044321	DRIVELINE SHIELD SAFETY CHAIN		
22.	6560508	EC GREASE ZERK 8X1 45 DEG.		
23.	1004220	EC TWIST COLLAR KIT (TRT. END)		
24.	6560006	EC GREASE ZERK M6X1 STRAIGHT		
25.	1016013	EC YOKE ASSEMBLY (TRACTOR END)		
26.	1004225	EC PULL COLLAR KIT		

# Driveline 540 RPM (826-220C) Eurocardan

Applies to RCR2510



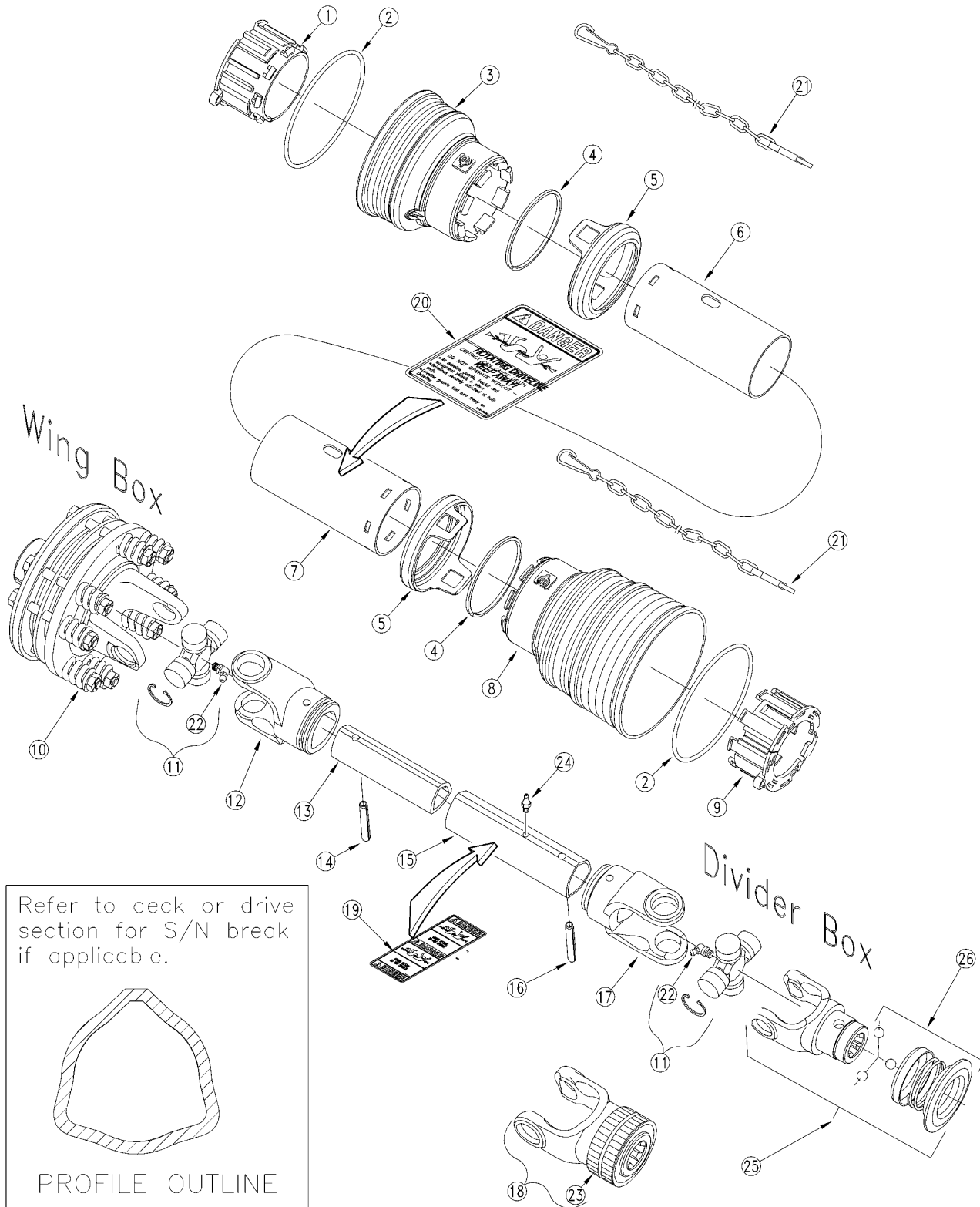
16173

**Driveline 540 RPM (826-220C) Eurocardan****Applies to RCR2510**

<b>Ref</b>	<b>Part No.</b>	<b>Part Description</b>	<b>Comments</b>	<b>Revision</b>
	dwg16173	Drawing Image Number		
	826-220C	PTO CAT. 4 JACK SHAFT 540		
1.	1786711	EC TUBE BEARING (INNER TUBE)		
2.	1215733	EC STIFFENING RING		
3.	1885702	EC SHORT CONE		
4.	1215735	EC STOP RING		
5.	1885709	EC SAFETY SLEEVE		
6.	1877079	EC INNER TUBE SHEILD		
7.	044321	DRIVELINE SHIELD SAFETY CHAIN		
8.	1876079	EC OUTER TUBE SHEILD		
9.	1885705	EC EXTRA SHORT CONE (FOR MX)		
10.	1786710	EC TUBE BEARING (OUTER TUBE)		
11.	1896084N327	EC OUTER TUBE ASSY		
12.	6331070	EC 10X70 ROLL PIN		
13.	1526085	EC INNER TUBE (1526084) 840MM		
14.	1706029	EC INNER TUBE YOKE		
15.	1006020	EC CROSS ASSEMBLY		
16.	1446037	EC CLUTCH FD4/6 1 3/4 20 SPL		
17.	818-552C	DECAL DANGER PTO DRIVELINE		
18.	818-540C	DECAL DANGER GUARD MISS PTO		
19.	6560508	EC GREASE ZERK 8X1 45 DEG.		

**Driveline 540 RPM (826-255C) Eurocardan**

Applies to RCR2510, RCR2596



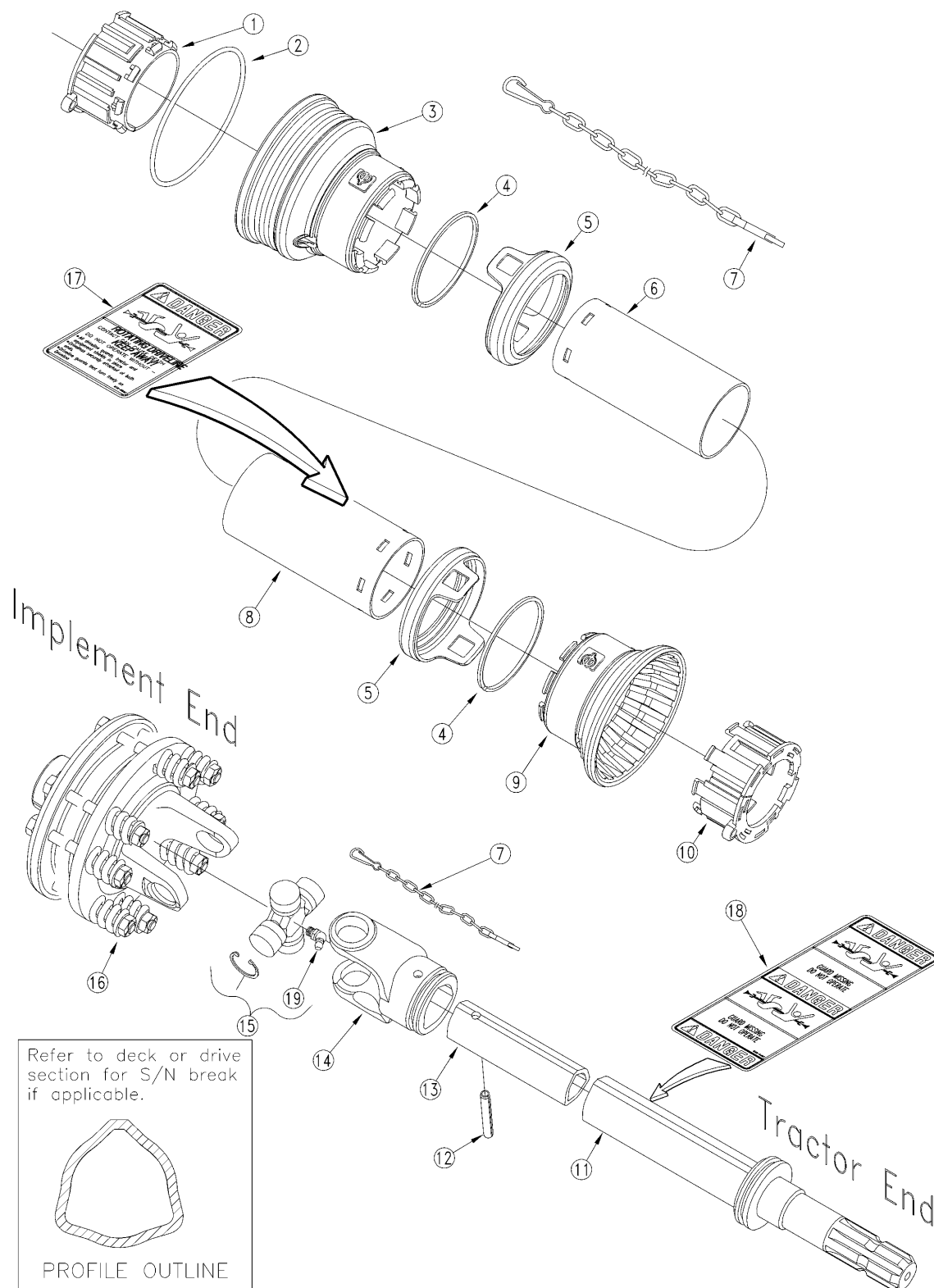
22283

**Driveline 540 RPM (826-255C) Eurocardan****Applies to RCR2510, RCR2596**

<b>Ref</b>	<b>Part No.</b>	<b>Part Description</b>	<b>Comments</b>	<b>Revision</b>
	dwg22283	Drawing Image Number		
	826-255C	PTO STD.W/4-PLATE SC CAT4 540		
1.	1786711	EC TUBE BEARING (INNER TUBE)		
2.	1215733	EC STIFFENING RING		
3.	1885702	EC SHORT CONE		
4.	1215735	EC STOP RING		
5.	1885709	EC SAFETY SLEEVE		
6.	1877052	EC INNER TUBE SHEILD		
7.	1876052	EC OUTER TUBE SHEILD		
8.	1885703	EC STANDARD CONE		
9.	1786710	EC TUBE BEARING (OUTER TUBE)		
10.	1446016	EC CLUTCH FD4/6 1 3/4 20 SPL		
11.	1006020	EC CROSS ASSEMBLY		
12.	1706029	EC INNER TUBE YOKE		
13.	1526062	EC INNER TUBE (1526084) 620MM		
14.	6331070	EC 10X70 ROLL PIN		
15.	1528084	EC 840MM OUT. STOCK LENGTH TB.		
16.	6331080	EC 10X80-DIN-1481 O/TUBE R/PIN		
17.	1706027	EC OUTER TUBE YOKE		
18.	1016012	YOKE ASSEMBLY PULL TYPE		
19.	818-540C	DECAL DANGER GUARD MISS PTO		
20.	818-552C	DECAL DANGER PTO DRIVELINE		
21.	044321	DRIVELINE SHIELD SAFETY CHAIN		
22.	6560508	EC GREASE ZERK 8X1 45 DEG.		
23.	1004220	EC TWIST COLLAR KIT (TRT. END)	Shown	
24.	6560006	EC GREASE ZERK M6X1 STRAIGHT		
25.	1016017	EC YOKE ASSEMBLY (TRACTOR END)		
26.	1004225	EC PULL COLLAR KIT		

# Driveline 540 RPM (826-256C) Eurocardan

Applies to RCR2510, RCR2596



16173

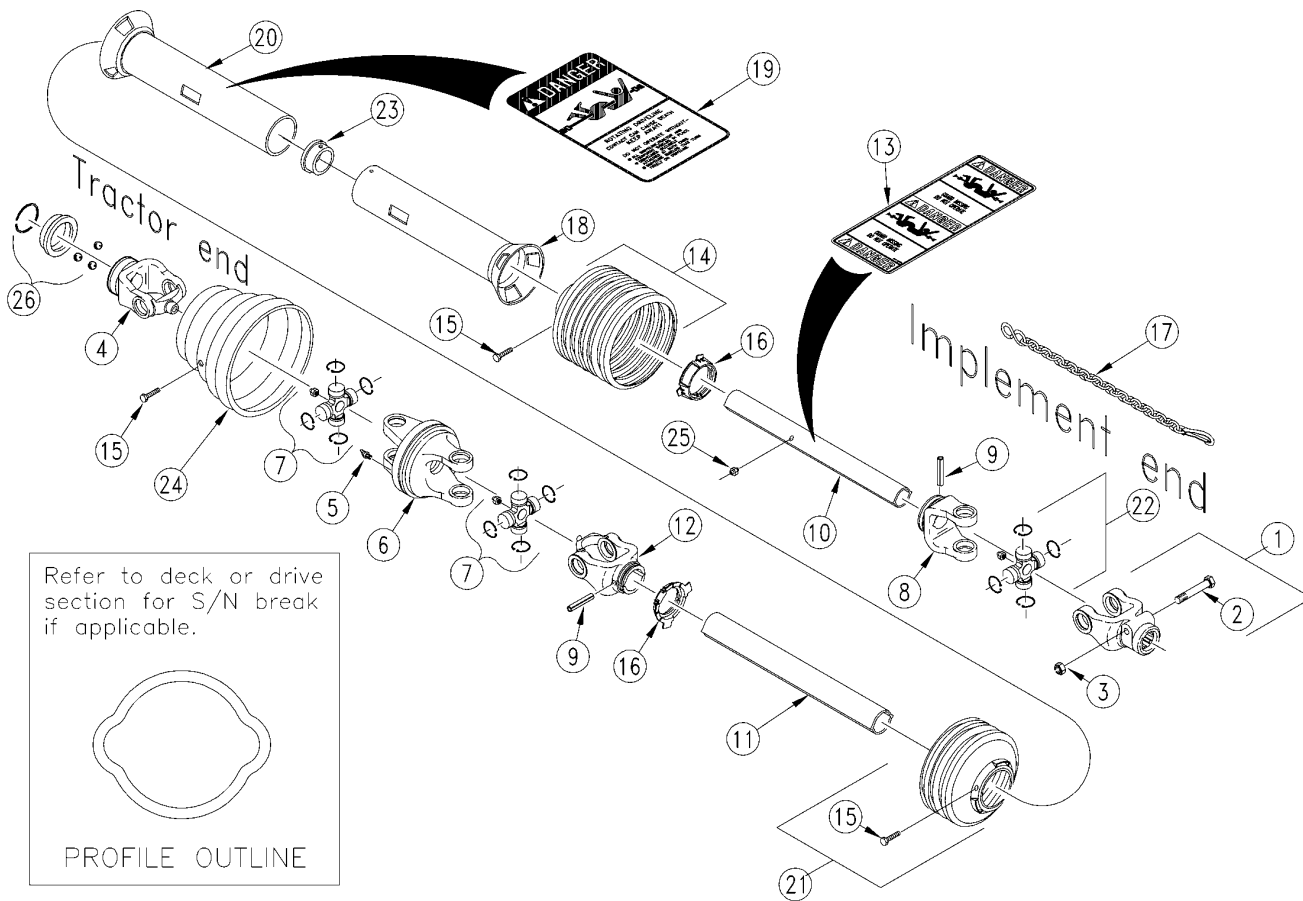


***Driveline 540 RPM (826-256C) Eurocardan*****Applies to RCR2510, RCR2596**

<b>Ref</b>	<b>Part No.</b>	<b>Part Description</b>	<b>Comments</b>	<b>Revision</b>
	dwg16173	Drawing Image Number		
	826-256C	PTO J/S.W/4-PLATE SC CAT4 540		
1.	1786711	EC TUBE BEARING (INNER TUBE)		
2.	1215733	EC STIFFENING RING		
3.	1885702	EC SHORT CONE		
4.	1215735	EC STOP RING		
5.	1885709	EC SAFETY SLEEVE		
6.	1877064	EC INNER TUBE SHEILD		
7.	044321	DRIVELINE SHIELD SAFETY CHAIN		
8.	1876064	EC OUTER TUBE SHEILD		
9.	1885705	EC EXTRA SHORT CONE (FOR MX)		
10.	1786710	EC TUBE BEARING (OUTER TUBE)		
11.	1896069N327	OUT SPLNE TRIANGULAR TBE 690MM		
12.	6331070	EC 10X70 ROLL PIN		
13.	1526070	EC INNER TUBE (1526084) 840MM		
14.	1706029	EC INNER TUBE YOKE		
15.	1006020	EC CROSS ASSEMBLY		
16.	1446037	EC CLUTCH FD4/6 1 3/4 20 SPL		
17.	818-552C	DECAL DANGER PTO DRIVELINE		
18.	818-540C	DECAL DANGER GUARD MISS PTO		
19.	6560508	EC GREASE ZERK 8X1 45 DEG.		

# Driveline CV 1000 RPM (826-063C) Walterscheid

Applies to RCRM2510

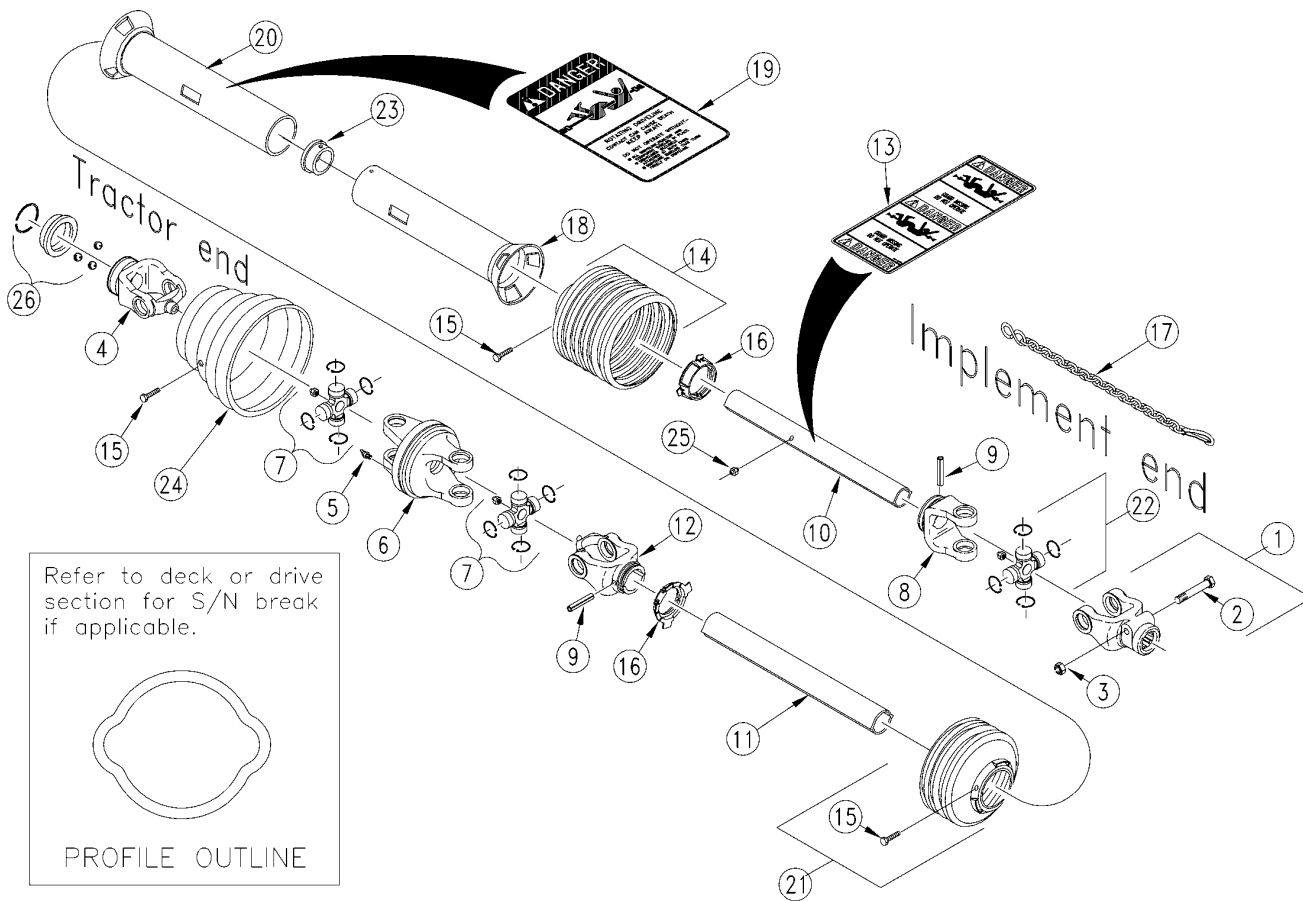


***Driveline CV 1000 RPM (826-063C) Walterscheid*****Applies to RCRM2510**

<b>Ref</b>	<b>Part No.</b>	<b>Part Description</b>	<b>Comments</b>	<b>Revision</b>
	dwg10452	Drawing Image Number		
	826-063C	PTO CV 2400 X 60 1000 RPM		
1.	320684	WS YOKE 1 3/8-21 SPL		
2.	020469	WS BOLT M12 X 75		
3.	010490	WALTERSCHEID SELF-LCKG HEX NUT		
4.	380883	WS YOKE 1 3/8-21 SP		
5.	020672	WS GREASE ZERK		
6.	365722	WS DOUBLE YOKE		
7.	342221	WS CROSS & BEARING KIT		
8.	019519	WS INBOARD YOKE		
9.	020617	WS SPRING PIN 10 X 20		
10.	383084	WS PROFILE & SLEEVE		
11.	321245	WS INNER PROFILE 16 GA		
12.	019519	WS INBOARD YOKE		
13.	383334	WALTERSCHEID DNGR DECAL-STEEL		
14.	377336	WS SHIELD CONE 6 RIB		
15.	365305	WALTERSCHEID SCREW		
16.	087276	WS BEARING RING - SC25		
17.	044321	WALTERSCHEID SAFETY CHAIN		
18.	384064	WS INNER SHIELD TUBE-ROUND		
19.	383333	WALTERSCHEID DANGER DECAL-SHLD		
20.	388434	WS OUTER SHIELD TUBE OVL		
21.	172758	WS SHIELD CONE 3 RIB		
22.	312410	WS CROSS BEARING KIT		
23.	355155	WS SUPPORT BEARING		
24.	386083	WS CV CONE & BEARING ASSY		
25.	380371	WS ZERK		
26.	381908	WS QUICK DISCONNECT KIT		

# Driveline CV 540 RPM (826-053C) Walterscheid

Applies to RCR2510



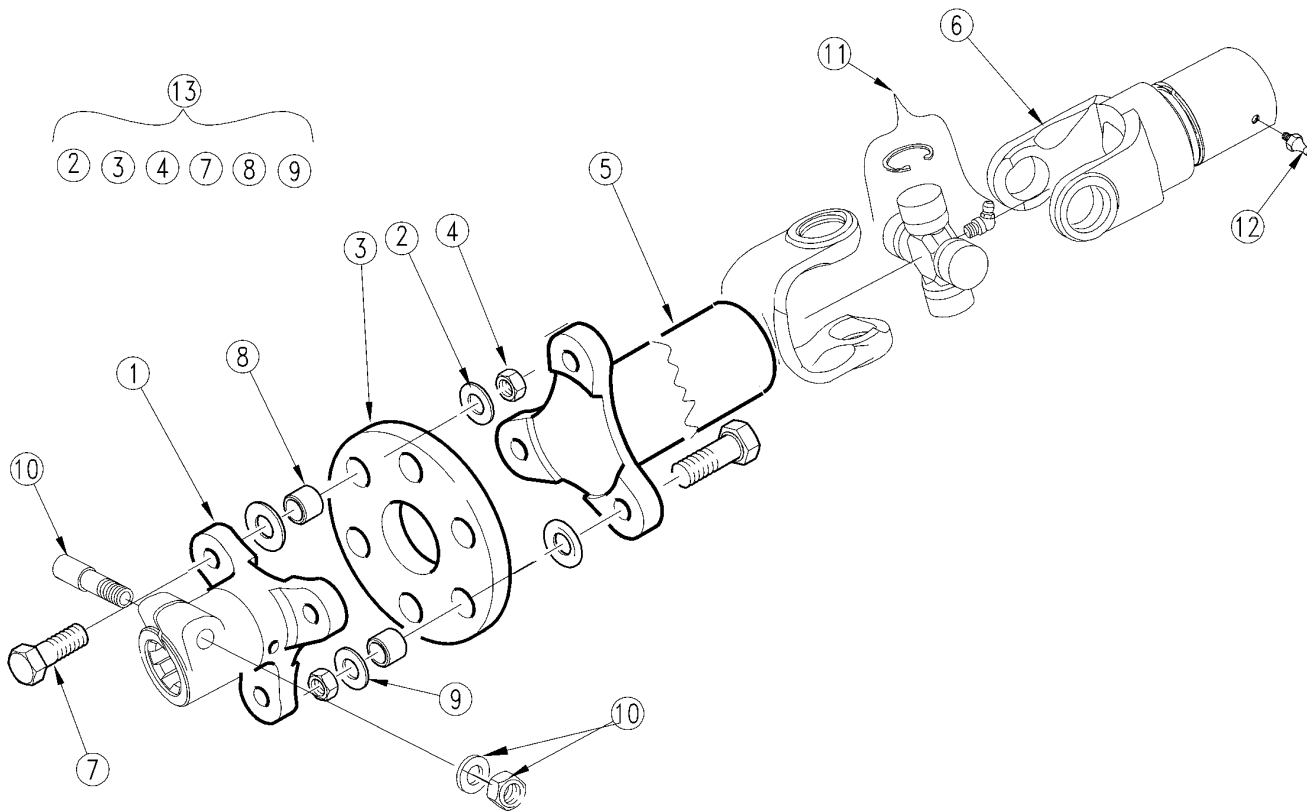
10452

***Driveline CV 540 RPM (826-053C) Walterscheid*****Applies to RCR2510**

<b>Ref</b>	<b>Part No.</b>	<b>Part Description</b>	<b>Comments</b>	<b>Revision</b>
	dwg10452	Drawing Image Number		
	826-053C	PTO CV 2400 X 60 540 RPM		
1.	320684	WS YOKE 1 3/8-21 SPL		
2.	020469	WS BOLT M12 X 75		
3.	010490	WALTERSCHEID SELF-LCKG HEX NUT		
4.	380882	WS YOKE 1 3/8-6 SPL		
5.	020672	WS GREASE ZERK		
6.	365722	WS DOUBLE YOKE		
7.	342221	WS CROSS & BEARING KIT		
8.	019519	WS INBOARD YOKE		
9.	020617	WS SPRING PIN 10 X 20		
10.	382647	WS PROFILE & SLEEVE		
11.	095758	WS INNER PROFILE 16 GA		
12.	341586	WS INBOARD YOKE		
13.	383334	WALTERSCHEID DNGR DECAL-STEEL		
14.	377336	WS SHIELD CONE 6 RIB		
15.	365305	WALTERSCHEID SCREW		
16.	087276	WS BEARING RING - SC25		
17.	044321	WALTERSCHEID SAFETY CHAIN		
18.	382437	WS INNER SHIELD TUBE ROUND		
19.	383333	WALTERSCHEID DANGER DECAL-SHLD		
20.	383128	WS OUTER SHIELD TUBE OVL		
21.	172758	WS SHIELD CONE 3 RIB		
22.	312410	WS CROSS BEARING KIT		
23.	355155	WS SUPPORT BEARING		
24.	386083	WS CV CONE & BEARING ASSY		
25.	380371	WS ZERK		
26.	381908	WS QUICK DISCONNECT KIT		

# Driveline Flex Coupler (826-359C) Eurocardan

Applies to RCR2510, RCRM2510



22345

***Driveline Flex Coupler (826-359C) Eurocardan***

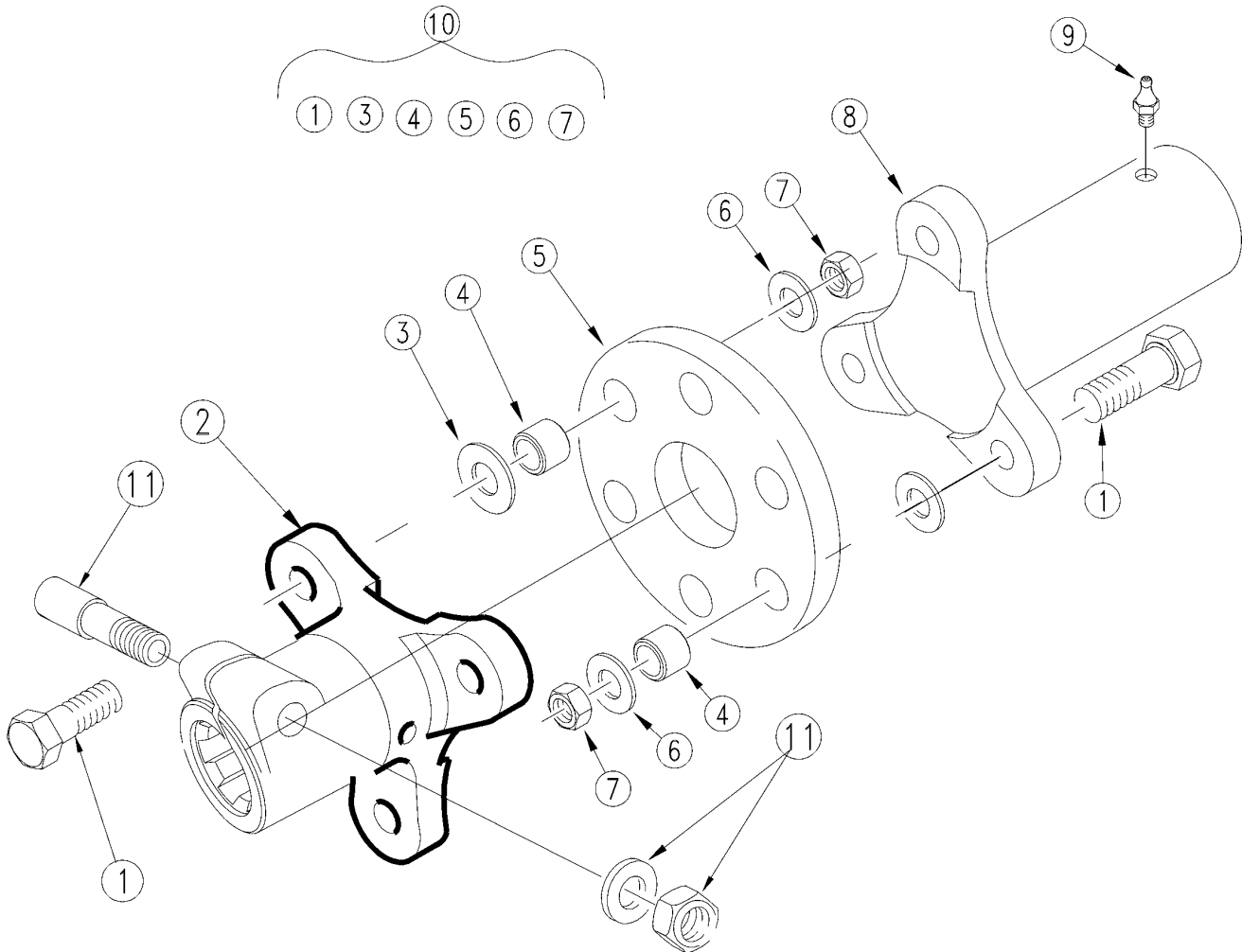
---

**Applies to RCR2510, RCRM2510**

<b>Ref</b>	<b>Part No.</b>	<b>Part Description</b>	<b>Comments</b>	<b>Revision</b>
	dwg22345	Drawing Image Number		
	826-359C	FLEX CPLR 1.75-20 TO 1.38-6		
1.	1705267	EC CONNECTION HUB		
2.	1235287	EC WSH. BD. 35mm O.D/16.5mm I.D		
3.	1785273	EC RUBBER DISC		
4.	6410716	EC NUT		
5.	1005240	EC FLANGE WELDMENT		
6.	1706224	EC YOKE 1 3/8 Z6 INDUCT. HARD		
7.	6141660	EC BOLT		
8.	1535275	EC BOLT BUSHING		
9.	6412016	EC WASHER 29.8mm O.D/17.2mm I.D		
10.	6821484	CONICAL DOG KIT		
11.	1006020	EC CROSS ASSEMBLY		
12.	6560006	EC GREASE ZERK M6X1 STRAIGHT		
13.	312-600A	FLEX COUPLER KIT (ONE DISC)		

# Driveline Flex Coupler (826-360C) Eurocardan

Applies to RCR2596



22350



***Driveline Flex Coupler (826-360C) Eurocardan***

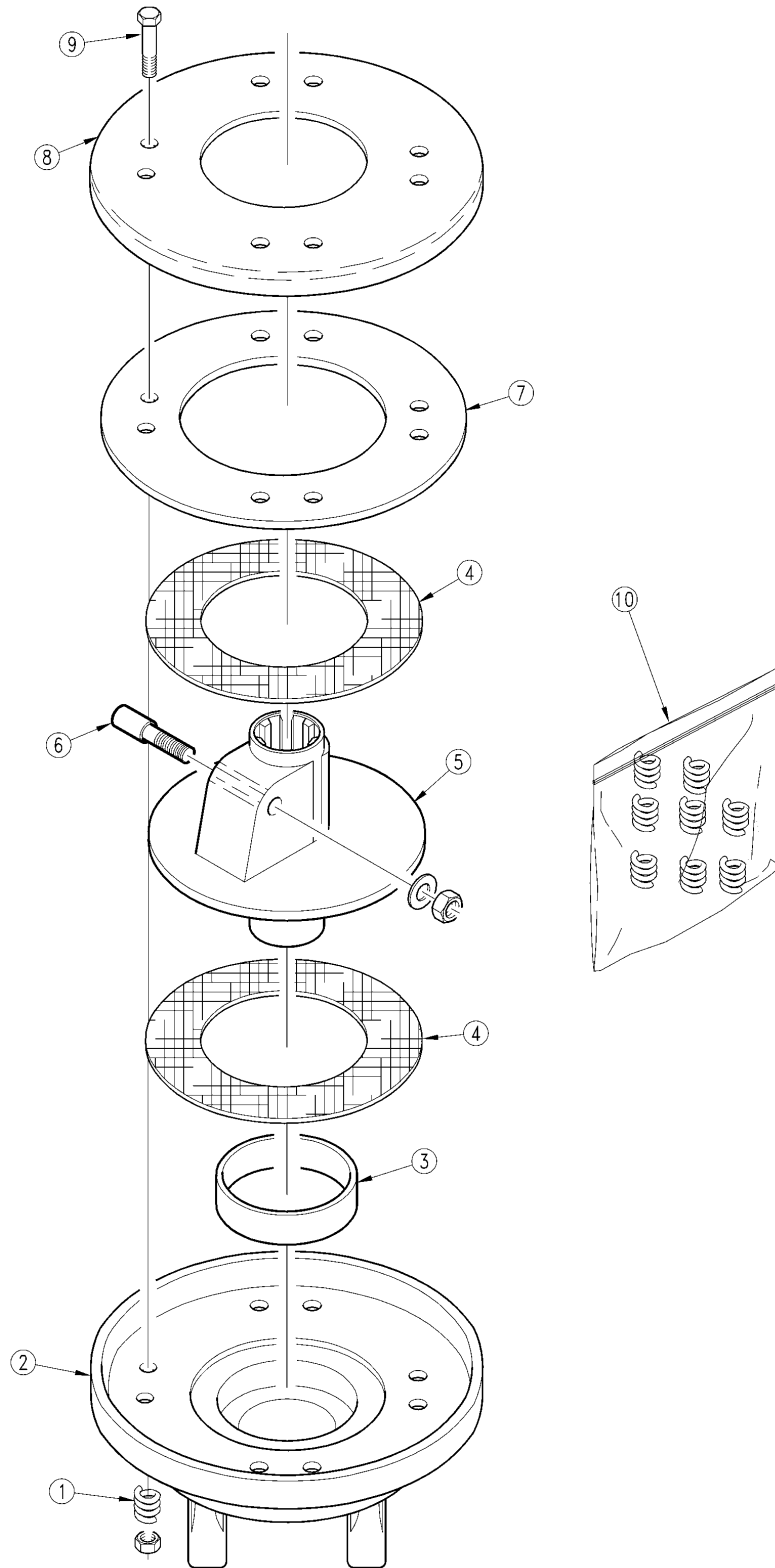
---

**Applies to RCR2596**

<b>Ref</b>	<b>Part No.</b>	<b>Part Description</b>	<b>Comments</b>	<b>Revision</b>
	dwg22350	Drawing Image Number		
	826-360C	FLEX CPLR 1.75-20 TO 1.38-6 *		
1.	6141660	EC BOLT		
2.	1705267	EC CONNECTION HUB		
3.	1235287	EC WSH. BD. 35mm O.D/16.5mm I.D		
4.	1535275	EC BOLT BUSHING		
5.	1785273	EC RUBBER DISC		
6.	6412016	EC WASHER 29.8mm O.D/17.2mm I.D		
7.	6410716	EC NUT		
8.	1005241	EC SPIDER TUBE		
9.	6560208	EC GREASE ZERK M8 STRAIGHT		
10.	312-600A	FLEX COUPLER KIT (ONE DISC)		
11.	6821484	CONICAL DOG KIT		

# Driveline Slip Clutch (1406016) Eurocardan

Applies to RCRM2510



15523

***Driveline Slip Clutch (1406016) Eurocardan***

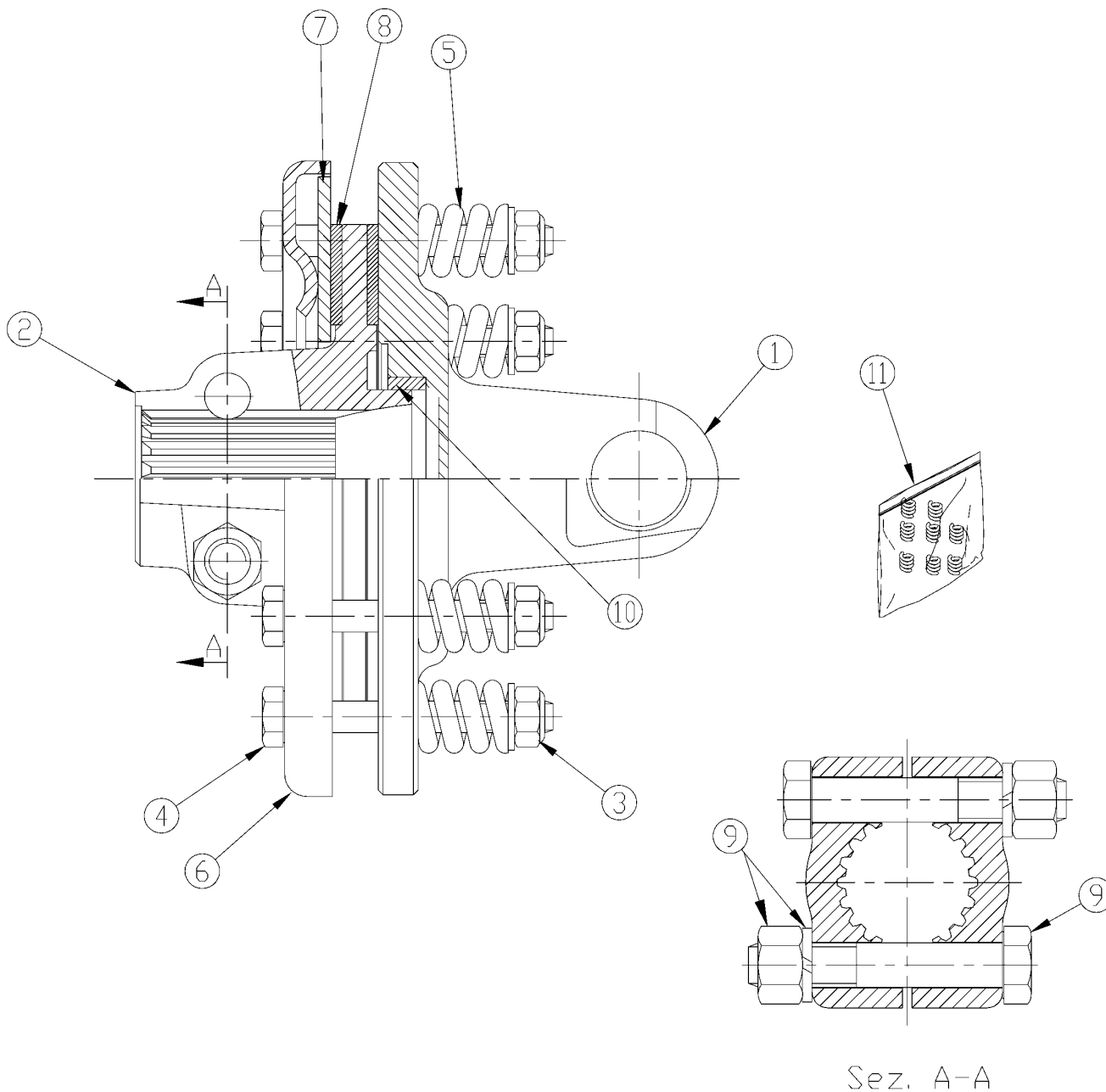
---

**Applies to RCRM2510**

<b>Ref</b>	<b>Part No.</b>	<b>Part Description</b>	<b>Comments</b>	<b>Revision</b>
	dwg15523	Drawing Image Number		
	1406016	EC CLUTCH FD2/6 1 3/4 20 SPL		
1.	1215012	RPBY 330-297A		
2.	1706033	EC CLUTCH YOKE W/FLANGE		
3.	1705009	EC CLUTCH BUSHING		
4.	1808010	EC CLUTCH LINING RING		
5.	1708017	EC HUB WITH FLANGE		
6.	6821483	EC CONICAL DOG KIT REPLACEMENT		
7.	1138008	EC INNER DISK		
8.	1138007	EC PRESSURE DISK		
9.	6691080	EC COMPLETE BOLT		
10.	330-297A	SV KIT, EC SLIP CLUTCH SPRING	Contains 8 Springs	

# Driveline Slip Clutch (1406028) Eurocarda

Applies to RCRM2510



22375

***Driveline Slip Clutch (1406028) Eurocarda***

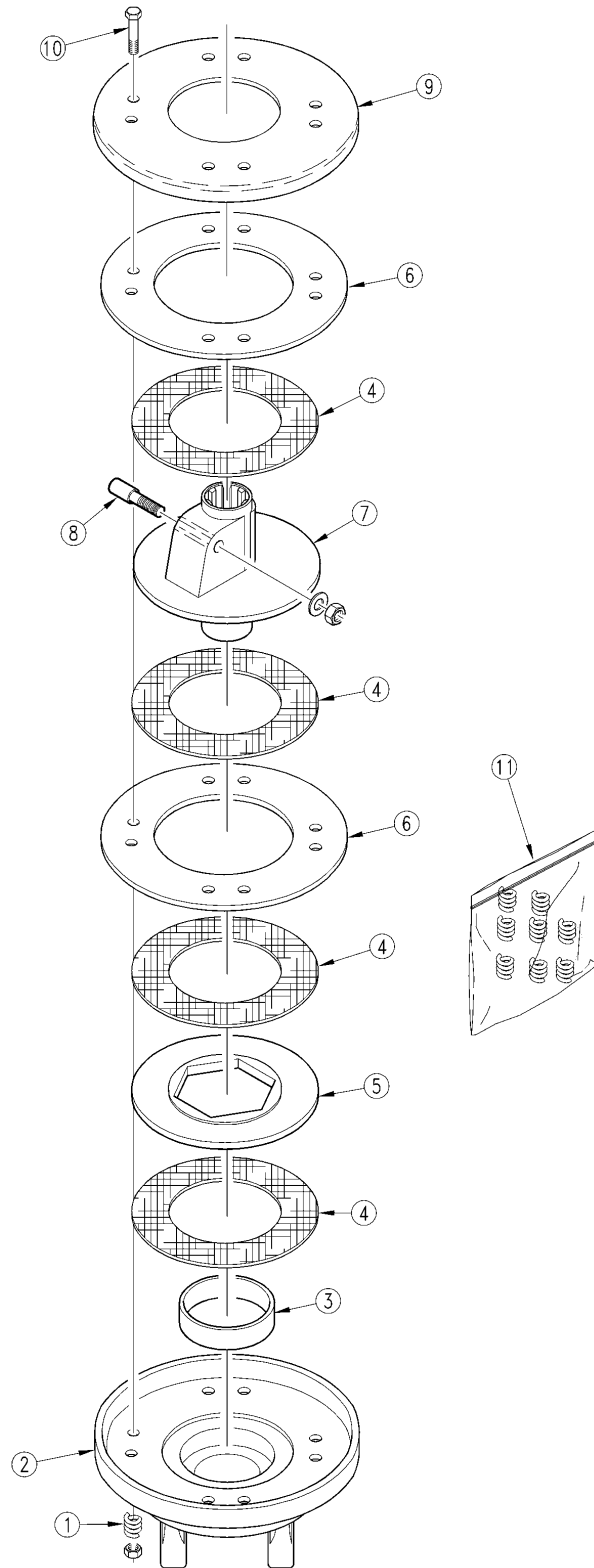
---

**Applies to RCRM2510**

<b>Ref</b>	<b>Part No.</b>	<b>Part Description</b>	<b>Comments</b>	<b>Revision</b>
	dwg22375	Drawing Image Number		
	1406028	EC TORQUE LIMITER, (FD 2)		
1.	1706033	EC CLUTCH YOKE W/FLANGE		
2.	1706314	FD2 HUB 1 3/4 WITH FLANGE		
3.	6411010	REP BY 803-279C		
4.	6001085	EC BOLT (M10X85)		
5.	1215012	RPBY 330-297A		
6.	1138007	EC PRESSURE DISK		
7.	1138008	EC INNER DISK		
8.	1808010	EC CLUTCH LINING RING		
9.	6761480	EC BOLT		
10.	1705009	EC CLUTCH BUSHING		
11.	330-297A	SV KIT, EC SLIP CLUTCH SPRING		

# Driveline Slip Clutch (1446016) Eurocardan

Applies to RCR2510, RCR2596



15521

***Driveline Slip Clutch (1446016) Eurocardan***

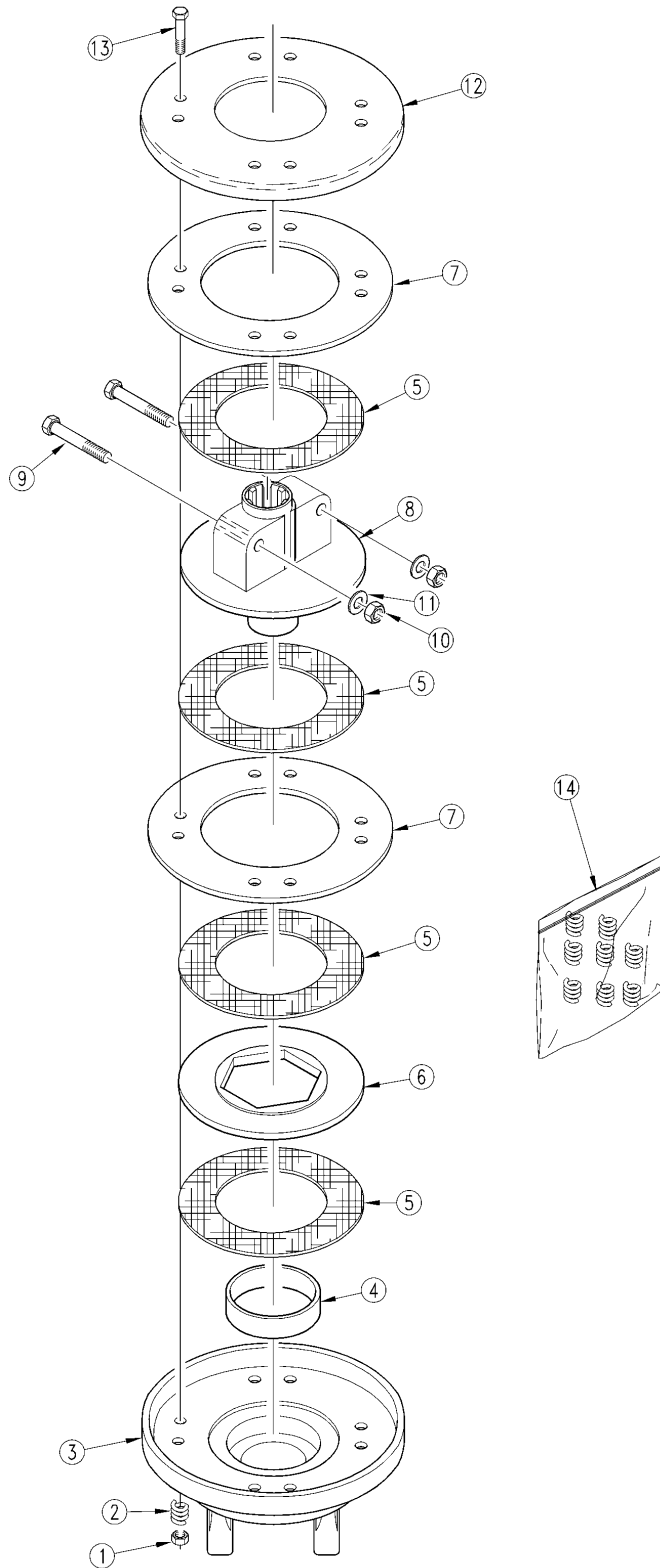
---

**Applies to RCR2510, RCR2596**

<b>Ref</b>	<b>Part No.</b>	<b>Part Description</b>	<b>Comments</b>	<b>Revision</b>
	dwg15521	Drawing Image Number		
	1446016	EC CLUTCH FD4/6 1 3/4 20 SPL		
1.	1215012	RPBY 330-297A		
2.	1706033	EC CLUTCH YOKE W/FLANGE		
3.	1705009	EC CLUTCH BUSHING		
4.	1808010	EC CLUTCH LINING RING		
5.	1708034	EC CLUTCH MIDDLE DISK		
6.	1138008	EC INNER DISK		
7.	1708016	EC HUB WITH FLANGE		
8.	6821483	EC CONICAL DOG KIT REPLACEMENT		
9.	1138007	EC PRESSURE DISK		
10.	6691010	EC BOLT & SCREW NUT KIT REPL.		
11.	330-297A	SV KIT, EC SLIP CLUTCH SPRING	Contains 8 Springs	

# Driveline Slip Clutch (1446037) Eurocardan

Applies to RCR2510, RCR2596



16561

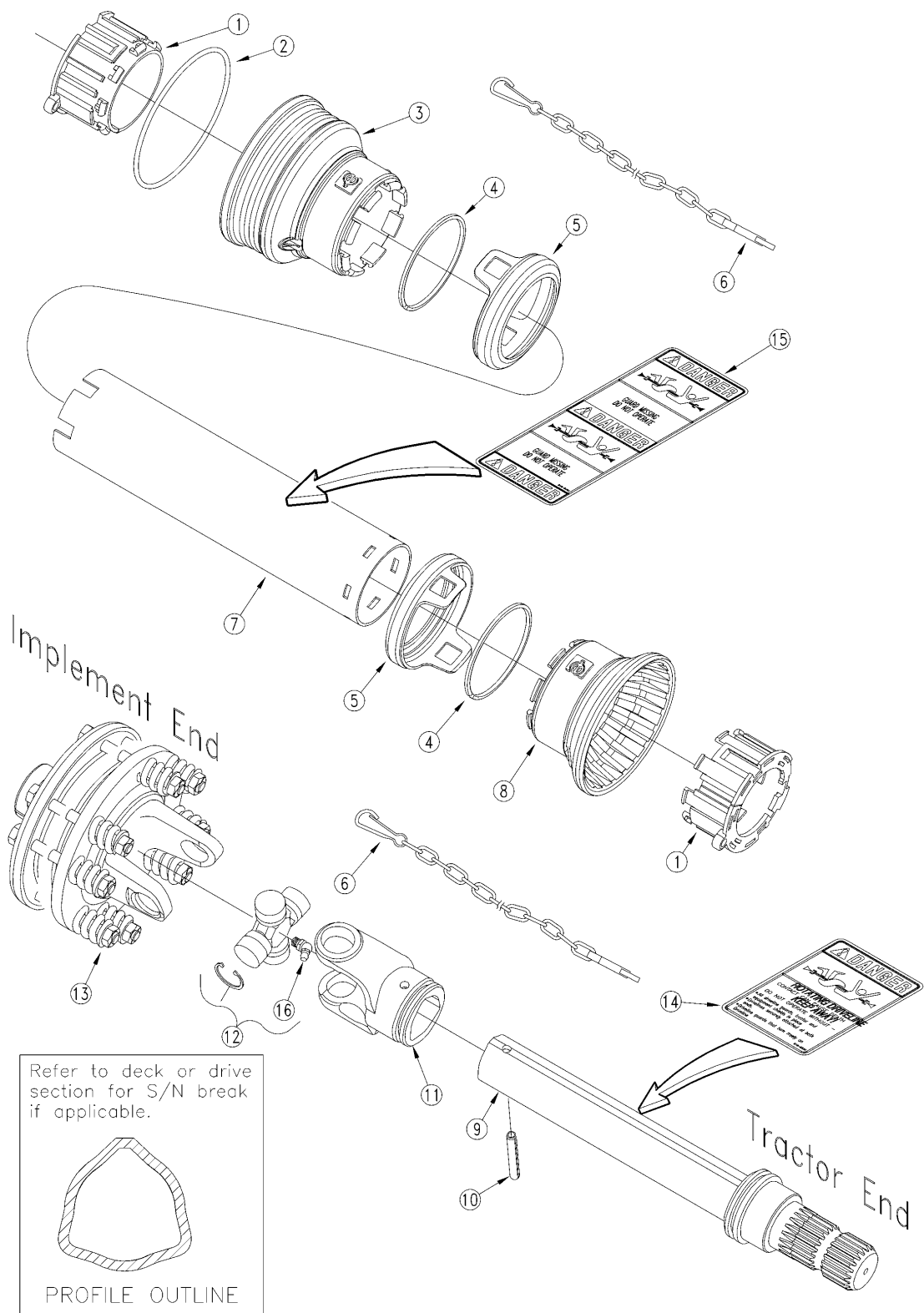


***Driveline Slip Clutch (1446037) Eurocardan*****Applies to RCR2510, RCR2596**

<b>Ref</b>	<b>Part No.</b>	<b>Part Description</b>	<b>Comments</b>	<b>Revision</b>
	dwg16561	Drawing Image Number		
	1446037	EC CLUTCH FD4/6 1 3/4 20 SPL		
1.	803-279C	NUT HEX M10X1.5 PLT		
2.	1215012	RPBY 330-297A		
3.	1706033	EC CLUTCH YOKE W/FLANGE		
4.	1705009	EC CLUTCH BUSHING		
5.	1808010	EC CLUTCH LINING RING		
6.	1708034	EC CLUTCH MIDDLE DISK		
7.	1138008	EC INNER DISK		
8.	1706313	EC HUB WITH FLANGE		
9.	6141480	EC BOLT (M14X80)		
10.	6410114	EC SCREW NUT (M14)		
11.	6412114	EC WASHER (d14)		
12.	1138007	EC PRESSURE DISK		
13.	6001010	EC BOLT (M10X100)		
14.	330-297A	SV KIT, EC SLIP CLUTCH SPRING	Contains 8 Springs	

**Driveline Stub Shaft Pull Type 540 RPM (826-225C) Eurocardan**

**Applies to RCR2510**



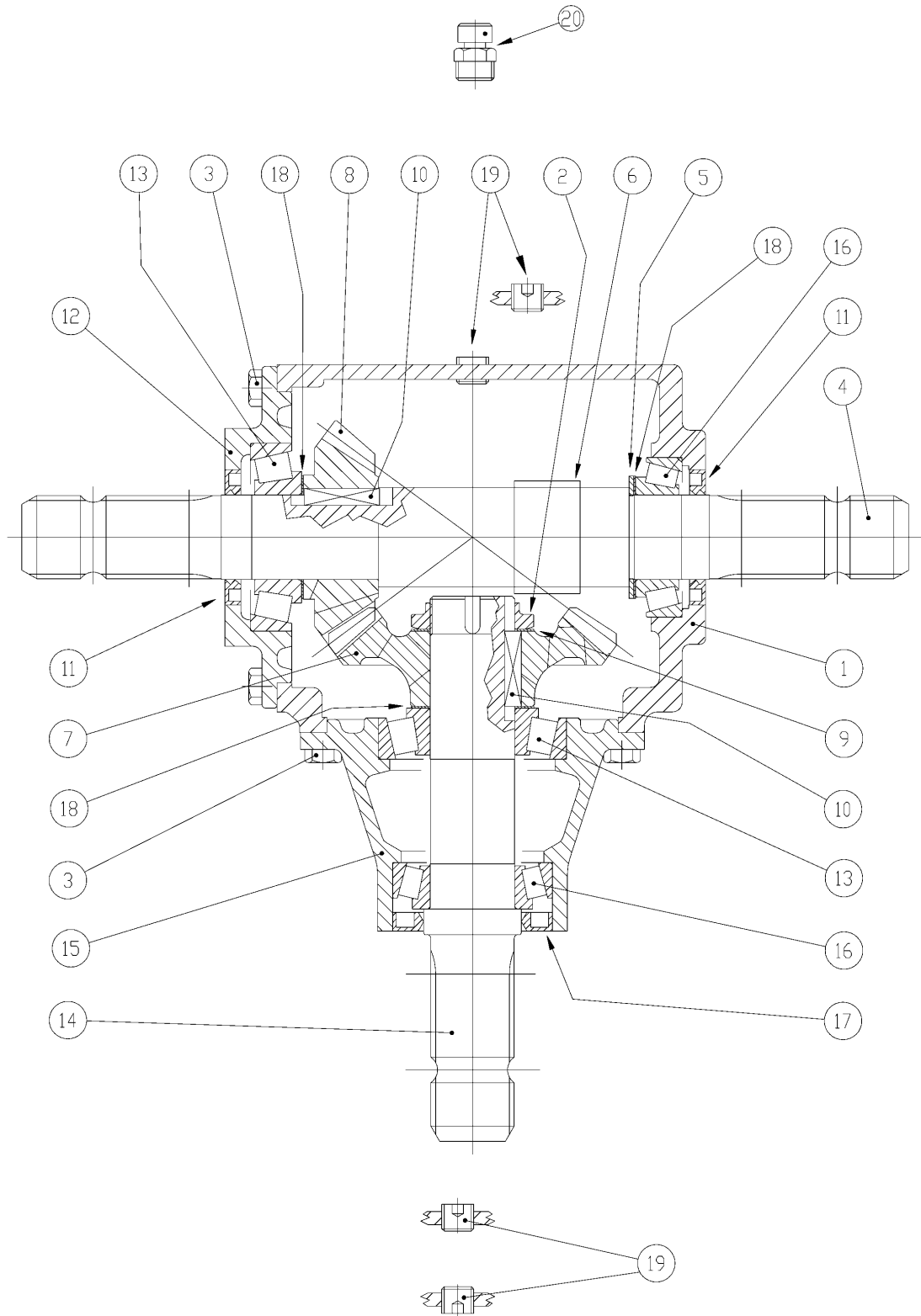
15995

**Driveline Stub Shaft Pull Type 540 RPM (826-225C) Eurocardan****Applies to RCR2510**

Ref	Part No.	Part Description	Comments	Revision
	dwg15995	Drawing Image Number		
	826-225C	PTO W/STUB SHAFT/SC 540 1 3/4		
1.	1786710	EC TUBE BEARING (OUTER TUBE)		
2.	1215733	EC STIFFENING RING		
3.	1885702	EC SHORT CONE		
4.	1215735	EC STOP RING		
5.	1885709	EC SAFETY SLEEVE		
6.	044321	DRIVELINE SHIELD SAFETY CHAIN		
7.	1876023D	EC OUTER TUBE SHEILD		
8.	1885705	EC EXTRA SHORT CONE (FOR MX)		
9.	1896030S821	EC OUTER TUBE ASSY (HRDND)		Rev. 2
9.	1896030D821	EC OUTER TUBE ASSY		Rev. 1
10.	6331080	EC 10X80-DIN-1481 O/TUBE R/PIN		
11.	1706027	EC OUTER TUBE YOKE		
12.	1006020	EC CROSS ASSEMBLY		
13.	1446037	EC CLUTCH FD4/6 1 3/4 20 SPL		
14.	818-552C	DECAL DANGER PTO DRIVELINE		
15.	818-540C	DECAL DANGER GUARD MISS PTO		
16.	6560508	EC GREASE ZERK 8X1 45 DEG.		

# Gearbox (826-356C) Comer

Applies to RCR2510, RCR2596



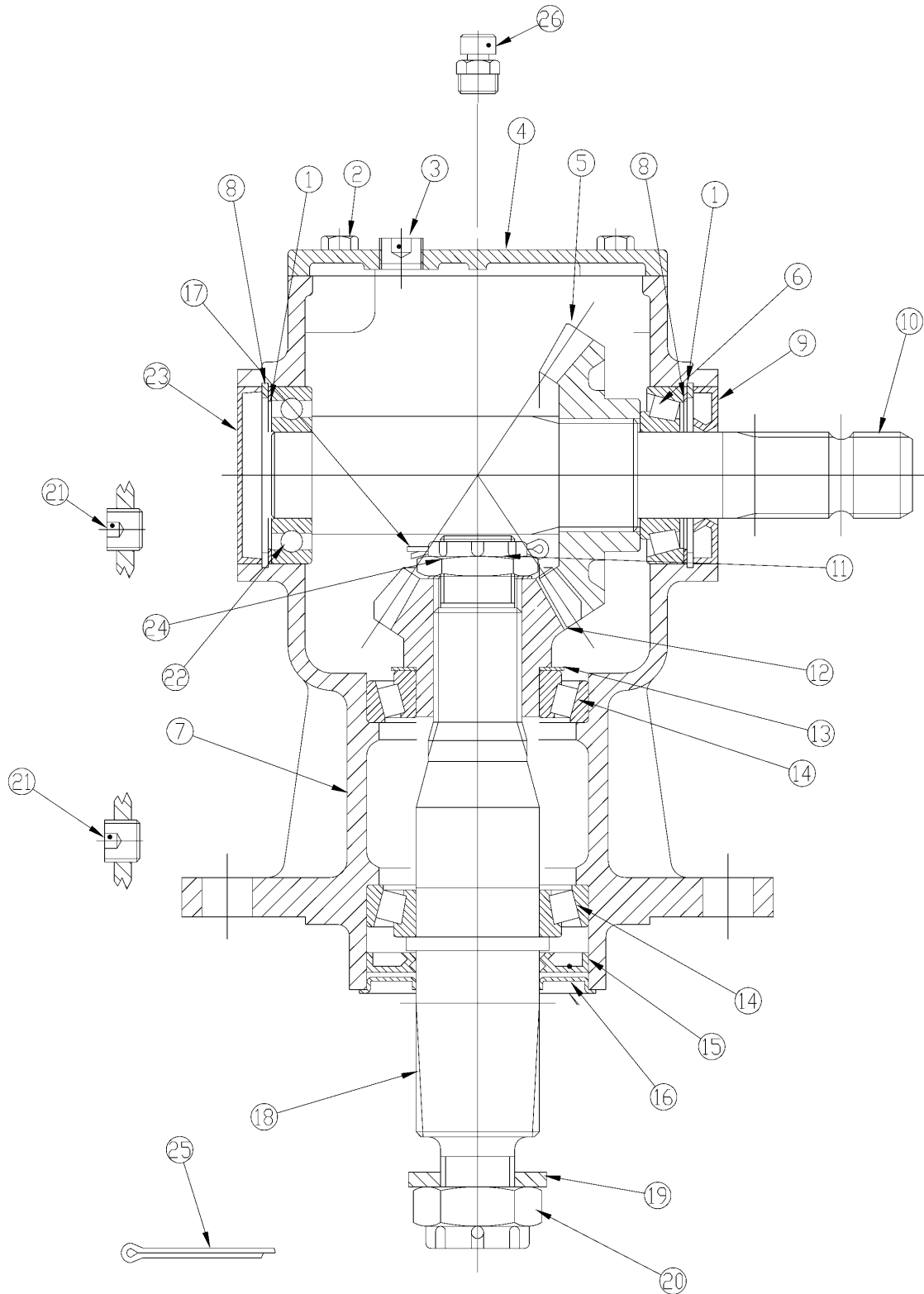
22346

**Gearbox (826-356C) Comer****Applies to RCR2510, RCR2596**

<b>Ref</b>	<b>Part No.</b>	<b>Part Description</b>	<b>Comments</b>	<b>Revision</b>
	dwg22346	Drawing Image Number		
	826-356C	T-BOX 1.75-20 1:1.35		
1.	0.279.0305.00	CO CASING		
2.	0.278.7104.00	CO NUT LOCK M45 X 1.5		
3.	8.1.1.00501	CO BOLT M8X22 HHB		
4.	0.279.3016.00	CO THROUGH SHAFT 1 3/4" Z20		
5.	0.252.7525.00	CO SHIM 45.3X2.5		
6.	0.124.7135.00	CO LABEL		
7.	0.279.6001.00	CO GEAR CROWN Z27 M5.7		
8.	0.279.5001.00	CO GEAR PINION Z20 M5.7		
9.	0.252.7510.00	CO SHIM (45.3X65.3X1)		
10.	8.4.1.00978	CO PARALLEL KEY B 14 X 9 X 40		
11.	8.7.1.02686	CO DUST LIP 45 X 72 X 8		
12.	0.279.1315.00	CO COVER		
13.	8.0.9.00107	CO RL BRG 30309 (45X100X27.25)		
14.	0.279.2013.00	CO INPUT SHAFT 1 3/4" Z20		
15.	0.279.1313.00	CO EXTENSION		
16.	8.0.9.00125	CO BEARING 32209		
17.	8.7.3.02685	CO OIL SEAL 52 X 85 X 10		
18.	0.252.7500.00	REP BY A252.500		
19.	8.6.6.00201	CO PLUG 3/8 GAS		
20.	8.6.7.00161	CO OIL FILLER PLUG 3/8		

### ***Gearbox (826-358C) Comer***

**Applies to RCR2510, RCR2596, RCRM2510**



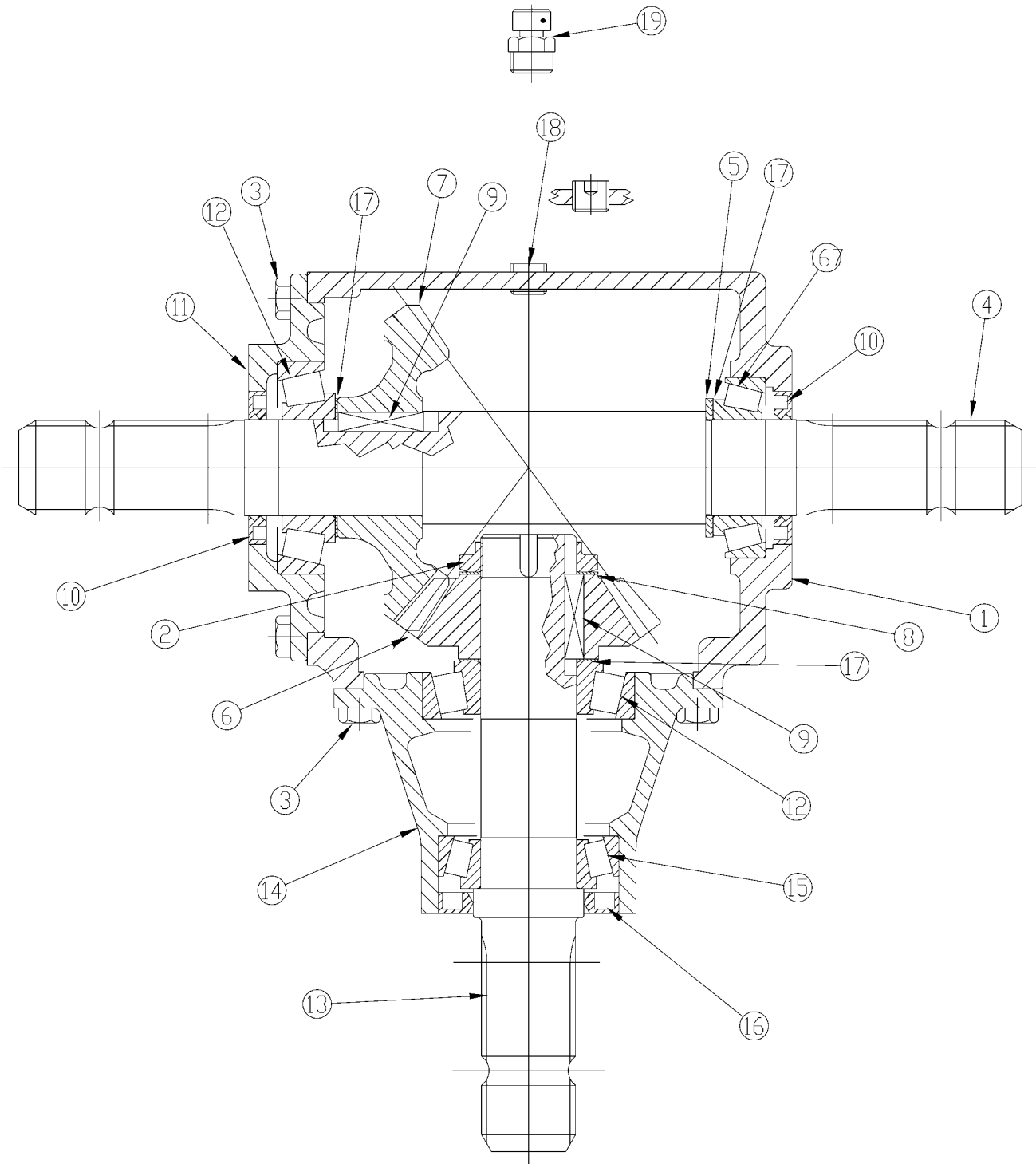
22347

**Gearbox (826-358C) Comer****Applies to RCR2510, RCR2596, RCRM2510**

<b>Ref</b>	<b>Part No.</b>	<b>Part Description</b>	<b>Comments</b>	<b>Revision</b>
	dwg22347	Drawing Image Number		
	826-358C	GBOX 1:1.50 STD. 1.38-6 SPL.		
1.	0.248.7500.00	REP BY A.248.500		
2.	8.1.1.00041	CO BOLT M8X22 HHB 8.8		
3.	8.6.6.00088	CO 1/2" GAS OIL PLUG W/EMB HEX		
4.	0.140.1302.00	CO COVER		
5.	0.132.6004.00	CO CROW Z21 M5.7		
6.	8.0.9.00026	REP BY 822-167C		
7.	0.140.0300.00	CO CASTING & MACHINING		
8.	8.5.2.00131	CO SNAP RING INT 72 UN17437		
9.	8.7.3.00055	CO OIL SEAL 35 X 72 X 10		
10.	0.140.2000.00	CO INPUT SHAFT		
11.	0.132.7106.00	CO NUT M30 X 1.5		
12.	0.116.6204.00	CO CONIC PIGNON Z14 M5.7		
13.	0.712.7500.00	CO SHIM 50.3X70.3		
14.	8.0.9.00469	REP BY 04-011		
15.	8.7.1.01107	CO SEAL (50x90x10)		
16.	0.139.7100.00	CO SEAL RETAINER		
17.	8.4.7.01111	CO COTTER PIN B4 X 50		
18.	0.140.3002.00	CO OUTPUT SHAFT		
19.	0.139.7101.00	CO BLANK WASHER		
20.	0.140.7102.00	CO CASTLE NUT M30X2 (8.8)		
21.	8.6.6.00201	CO PLUG 3/8 GAS		
22.	8.0.1.00870	REP BY 822-166C		
23.	8.7.0.00744	CO CAP 72 X 10		
24.	0.102.7510.00	CO SHIM 44X30.3X1		
25.	8.4.7.00146	CO COTTER PIN B6 X 60		
26.	8.6.7.00269	CO 1/2" GAS BREATHER PLUG		

# Gearbox (826-424C) Comer

Applies to RCRM2510



22348

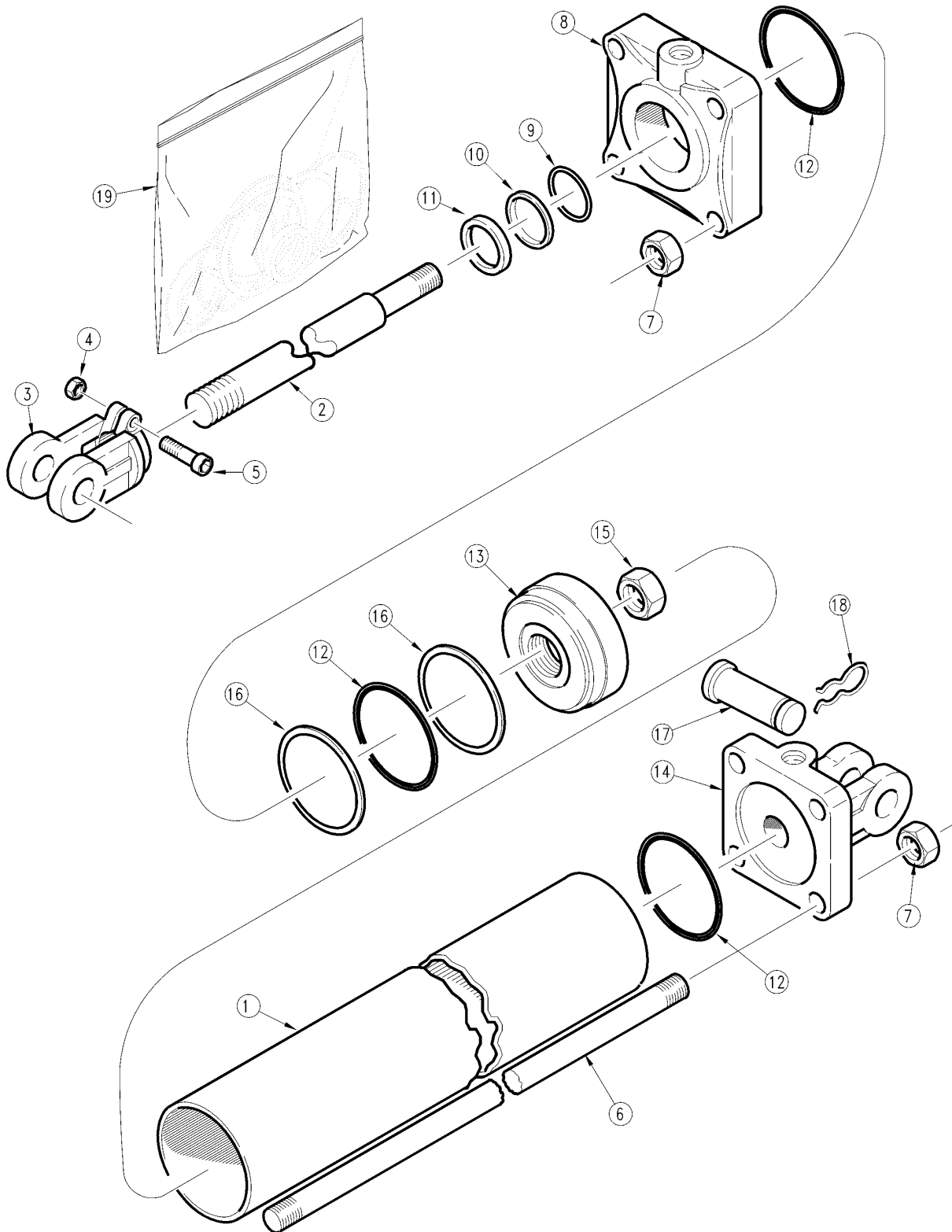


**Gearbox (826-424C) Comer****Applies to RCRM2510**

<b>Ref</b>	<b>Part No.</b>	<b>Part Description</b>	<b>Comments</b>	<b>Revision</b>
	dwg22348	Drawing Image Number		
	826-424C	T-BOX 1.75-20 1.35:1		
1.	0.279.0305.00	CO CASING		
2.	0.278.7104.00	CO NUT LOCK M45 X 1.5		
3.	8.1.1.00501	CO BOLT M8X22 HHB		
4.	0.279.3016.00	CO THROUGH SHAFT 1 3/4" Z20		
5.	0.252.7525.00	CO SHIM 45.3X2.5		
6.	0.279.5001.00	CO GEAR PINION Z20 M5.7		
7.	0.279.6001.00	CO GEAR CROWN Z27 M5.7		
8.	0.252.7510.00	CO SHIM (45.3X65.3X1)		
9.	8.4.1.00978	CO PARALLEL KEY B 14 X 9 X 40		
10.	8.7.1.02686	CO DUST LIP 45 X 72 X 8		
11.	0.279.1315.00	CO COVER		
12.	8.0.9.00107	CO RL BRG 30309 (45X100X27.25)		
13.	0.279.2013.00	CO INPUT SHAFT 1 3/4" Z20		
14.	0.279.1313.00	CO EXTENSION		
15.	8.0.9.00125	CO BEARING 32209		
16.	8.7.3.02685	CO OIL SEAL 52 X 85 X 10		
17.	A252.500	CO SHIM 65.3MM RTA25		
18.	8.6.6.00201	CO PLUG 3/8 GAS		
19.	8.6.7.00161	CO OIL FILLER PLUG 3/8		

# Hydraulic Cylinder (810-200C) Midway

Applies to RCR2510, RCR2596, RCRM2510



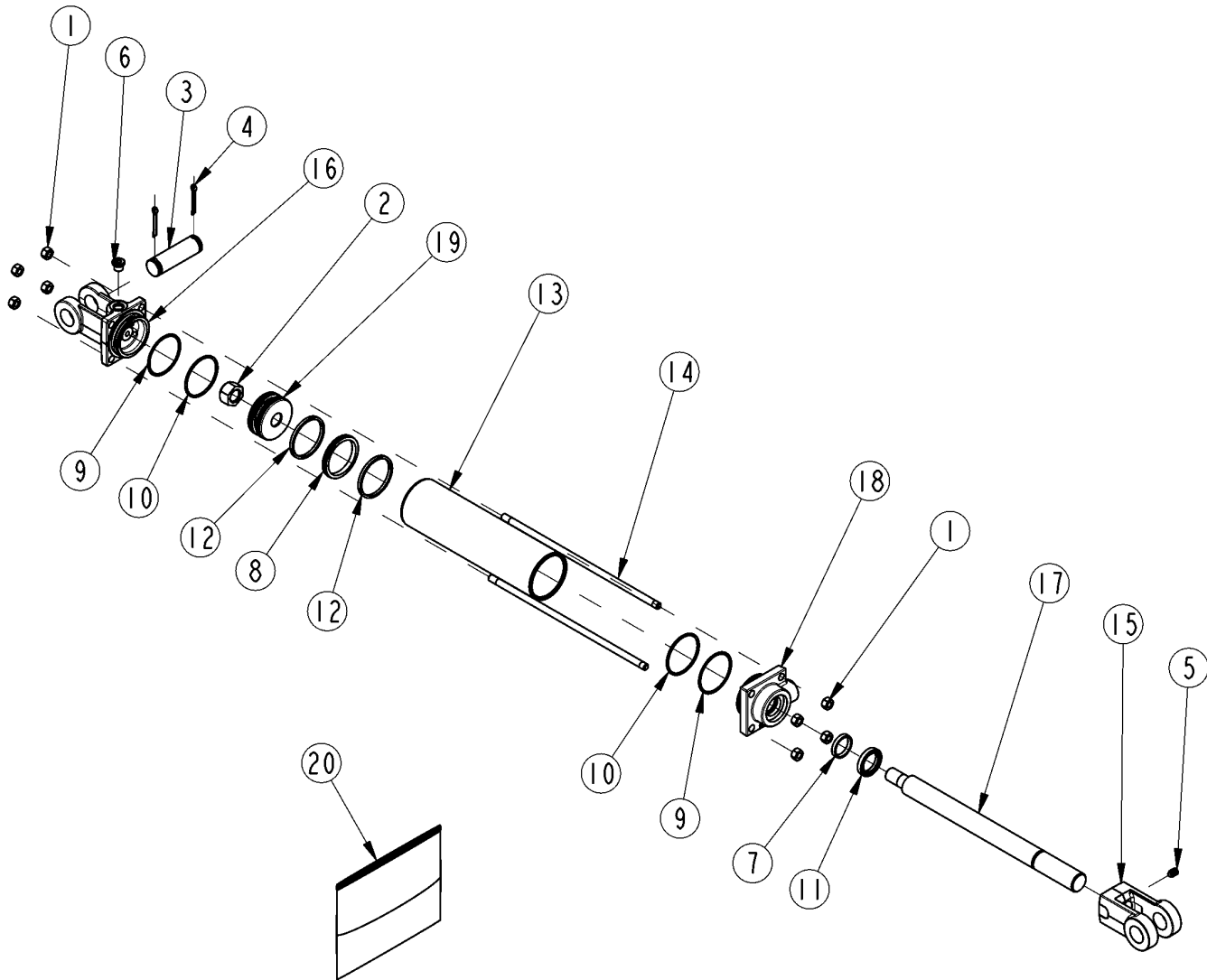
10219

***Hydraulic Cylinder (810-200C) Midway*****Applies to RCR2510, RCR2596, RCRM2510**

<b>Ref</b>	<b>Part No.</b>	<b>Part Description</b>	<b>Comments</b>	<b>Revision</b>
	dwg10219	Drawing Image Number		
	810-200C	CYL 2.5X8X1.12 ROD (TIE)1 PIN		
1.	5M3116	MW TUBE 2-1/2 X 8 X 1-1/8 ROD		
2.	2M3316	MW ROD		
3.	1M6006	MW ROD CLEVIS		
4.	2A0012	MW NUT CLEVIS & TIE ROD		
5.	2A0006	MW CAPSCREW		
6.	7M3316	MW TIE ROD		
7.	2A0012	MW NUT CLEVIS & TIE ROD		
8.	3M3310	MW HEAD		
9.		O-RING	Only found in seal kit item 19	
10.		BACK-UP	Only found in seal kit item 19	
11.		WIPER SEAL	Only found in seal kit item 19	
12.		O-RING	Only found in seal kit item 19	
13.	4M3102	MW PISTON 2 1/2 CYL		
14.	6M3126	MW BASE		
15.	2A0022	MW NUT, PISTON		
16.		BACK-UP	Only found in seal kit item 19	
17.	2A0208	MW CLEVIS PIN		
18.	2A0132	MW PIN CLIP		
19.	810-210C	SEAL KIT MW 2.5 CYL 3A3102		

# Hydraulic Cylinder (810-200C) Red Lion

Applies to RCR2510, RCR2596, RCRM2510



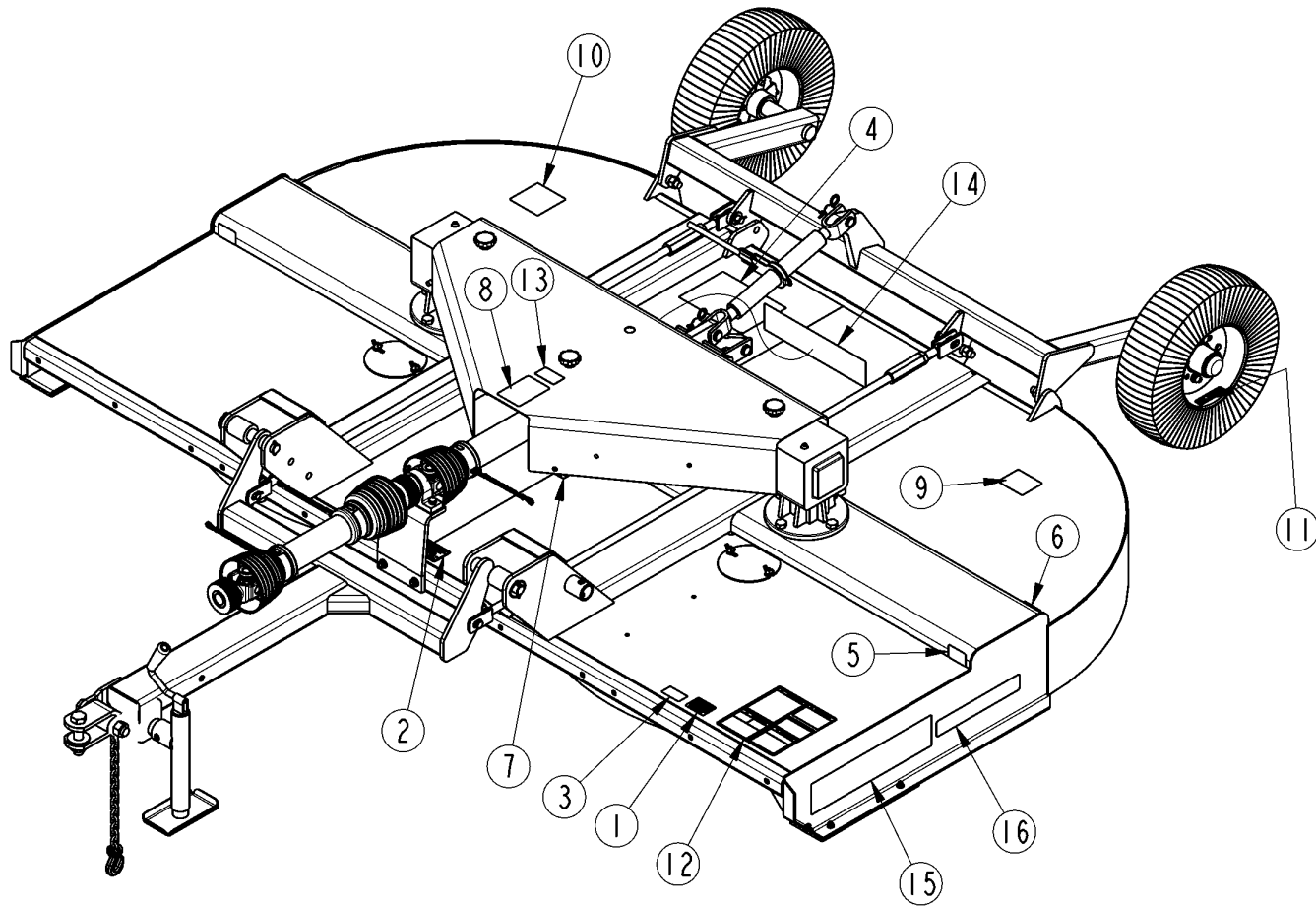
25901

**Hydraulic Cylinder (810-200C) Red Lion****Applies to RCR2510, RCR2596, RCRM2510**

<b>Ref</b>	<b>Part No.</b>	<b>Part Description</b>	<b>Comments</b>	<b>Revision</b>
	dwg25901	Drawing Image Number		
	810-200C	CYL 2.5X8X1.12 ROD (TIE)1 PIN *		
1.	803-014C	NUT HEX 3/8-16 PLT		
2.	130556	MON PISTON NUT		
3.	134953	LION PIN		
4.	135995	MON CLEVIS PIN COTTER		
5.	801-023C	SCREW SET SH 3/8-16X3/8 TYPE C		
6.	186561	PLUG 9/16-18UNF MORB SOCKET HD		
7.	N/A	MON ROD SEAL	Only Found in Kit #20	
8.	N/A	MON PISTON SEAL	Only Found in Kit #20	
9.	N/A	MON END CAP BACKUP WASHERS	Only Found in Kit #20	
10.	N/A	MON END CAP O-RING	Only Found in Kit #20	
11.	N/A	LION WIPER SEAL	Only Found in Kit #20	
12.	N/A	MON PISTON WEAR RING	Only Found in Kit #20	
13.	491668	LION CYL. TUBE 2.5 X 8		
14.	492218	LION TIE ROD 3/8, 8 CYL		
15.	492650	LION ROD CLEVIS 1 1/8-12UNF		
16.	492688	LION CLEVIS CAP 2.5, 9/16 ORB		
17.	492699	LION ROD 1.125 ASAE 8		
18.	492711	LION ROD CAP 2.5X1.125-9/16ORB		
19.	494768	MON PISTON		
20.	645004	MON SEALS REPAIR KIT		

# Label Placement

Applies to RCR2510, RCR2596, RCRM2510



22353

***Label Placement*****Applies to RCR2510, RCR2596, RCRM2510**

<b>Ref</b>	<b>Part No.</b>	<b>Part Description</b>	<b>Comments</b>	<b>Revision</b>
	dwg22353	Drawing Image Number		
	312-570A	RCR2596 DECAL PACKAGE		
	312-527A	RCR2510 DECAL PACKAGE		
	312-533A	RCRM2510 DECAL PACKAGE		
1.	818-130C	DECAL CAUTION 540 RPM		
2.	818-142C	DECAL DANGER PTO DRIVELINE EN		
3.	818-190C	DECAL FLAG		
4.	818-225C	DECAL RC120 BLADE ROTATION		
5.	838-062C	DECAL AMBER NARROW REFLECTOR	S/N 521802+	
5.	818-229C	DECAL AMBER REFLECTOR	S/N 521801-	
6.	818-335C	DECAL RED NARROW REFLECTOR	S/N 521802+	
6.	818-230C	DECAL RED REFLECTOR	S/N 521801-	
7.	818-543C	DECAL DANGER PD GUARD MISS SML		
8.	818-552C	DECAL DANGER PTO DRIVELINE		
9.	818-556C	DECAL DANGER THROWN OBJ CUTTER		
10.	818-564C	DECAL DANGER ROTATING BLADES		
11.	818-681C	DECAL NOTICE - 20 MPH MAX		
12.	818-830C	DECAL SAFETY COMBO SUNWEST		
13.	818-862C	DECAL 5 YEAR GEARBOX WARRANTY		
14.	818-902C	DECAL LANDPRIDE 16" - BEIGE		
15.	818-903C	DECAL LANDPRIDE 19" - BROWN	Beige Colored Unit	
15.	838-643C	DECAL LANDPRIDE 25" LG	Red & Green Colored Units	
16.	838-420C	DECAL RCR2510-BROWN		
16.	838-419C	DECAL RCR2596-BROWN		
16.	838-421C	DECAL RCRM2510-BROWN		



# Part Number Index

The Part Number Index is a numeric index of all part numbers included in this manual. The index shows what page(s) the part is used on.

Part Number	Page	Part Number	Page	Part Number	Page	Part Number	Page
0.102.7510.00	71	1528040D	41	312-505A	31	312-822D	11
0.116.6204.00	71	1528044D	37	312-511H	23	312-823D	27
0.124.7135.00	69	1528077	33, 43	312-512H	7	312-826D	27
0.132.6004.00	71	1528084	47	312-513H	21	312-827D	27
0.132.7106.00	71	1535275	55, 57	312-515H	23	312-830D	31
0.139.7100.00	71	1705009	59, 61, 63, 65	312-516H	21, 23	312-833D	17
0.139.7101.00	71	1705267	55, 57	312-527A	79	312-834D	31
0.140.0300.00	71	1706027	33, 37, 39, 41, 43, 47, 67	312-533A	79	312-836D	31
0.140.1302.00	71			312-534A	19	312-931D	11
0.140.2000.00	71	1706029	33, 35, 43, 45, 47, 49	312-536H	21	312-936D	29
0.140.3002.00	71			312-549L	21, 23	312-938D	11
0.140.7102.00	71	1706033	59, 61, 63, 65	312-570A	79	312-939D	11
0.248.7500.00	71	1706224	55	312-600A	55, 57	312-940D	25
0.252.7500.00	69	1706313	65	312-602D	11	312-942D	25
0.252.7510.00	69, 73	1706314	61	312-602D81	11	312-943D	25
0.252.7525.00	69, 73	1708016	63	312-602D83	11	312-999D	17
0.278.7104.00	69, 73	1708017	59	312-602H82	11	312410	51, 53
0.279.0305.00	69, 73	1708034	63, 65	312-613H	21, 23	318-008H	21, 23
0.279.1313.00	69, 73	172758	51, 53	312-614H	7	320684	51, 53
0.279.1315.00	69, 73	1785273	55, 57	312-616A	25	321245	51
0.279.2013.00	69, 73	1786710	33, 35, 37, 39, 41, 43, 45, 47, 49, 67	312-616D	7	326-002D	17
0.279.3016.00	69, 73			312-618A	29	326-088D	31
0.279.5001.00	69, 73			312-629L	21, 23	326-089D	31
0.279.6001.00	69, 73	1786711	33, 35, 43, 45, 47, 49	312-681S	17	326-095D	31
0.712.7500.00	71			312-712D	23	326-097D	27
010490	51, 53	1808010	59, 61, 63, 65	312-715D	17	326-098D	27
019519	51, 53	186561	77	312-729D	19	326-099D	27
020469	51, 53	1876023D	67	312-733D	21	326-101D	15
020617	51, 53	1876025D	39	312-738H	11	326-116D	15
020672	51, 53	1876030D	41	312-738H81	11	326-123D	29
044321	33, 35, 37, 39, 41, 43, 45, 47, 49, 51, 53, 67	1876034D	37	312-738H82	11	326-124D	29
		1876052	47	312-738H83	11	326-126D	25
087276	51, 53	1876064	49	312-739H	11	326-127D	25
095758	53	1876067	33, 43	312-739H81	11	326-169D	11
1004220	33, 37, 41, 43, 47	1876079	35, 45	312-739H83	11	330-297A	59, 61, 63, 65
1004224	37, 41	1877052	47	312-748H	15	341586	53
1004225	33, 41, 43, 47	1877064	49	312-749S	15	342221	51, 53
1005240	55	1877067	33, 43	312-750S	15	355155	51, 53
1005241	57	1877079	35, 45	312-751A	27	365305	51, 53
1006020	33, 35, 37, 39, 41, 43, 45, 47, 49, 55, 67	1885702	33, 35, 39, 43, 45, 47, 49, 67	312-752A	31	365722	51, 53
		1885703	33, 37, 41, 43, 47	312-754K	27	377336	51, 53
1016010	41	1885704	37, 41	312-755K	27	380371	51, 53
1016012	47	1885705	35, 39, 45, 49, 67	312-756K	31	380882	53
1016013	41, 43	1885709	33, 35, 37, 39, 41, 43, 45, 47, 49, 67	312-757K	31	380883	51
1016015	33, 37, 43			312-758K	27	381908	51, 53
1016017	33, 47	1896028D821	39	312-759K	31	382437	53
1116010	37, 41	1896028S821	39	312-765H	15	382647	53
1138007	59, 61, 63, 65	1896030D821	67	312-767H	15	383084	51
1138008	59, 61, 63, 65	1896030S821	67	312-769S	15	383128	53
1215012	59, 61, 63, 65	1896069N327	49	312-770S	15	383333	51, 53
1215733	33, 35, 37, 39, 41, 43, 45, 47, 49, 67	1896084N327	35, 45	312-774A	29	383334	51, 53
		1M6006	75	312-775A	25	384064	51
1215735	33, 35, 37, 39, 41, 43, 45, 47, 49, 67	200-001D	23	312-776K	29	386083	51, 53
		2A0006	75	312-777K	25	388434	51
1235287	55, 57	2A0012	75	312-778K	25	3M3310	75
130556	77	2A0022	75	312-804D	23	491668	77
134953	77	2A0012	75	312-808D	15	492218	77
135995	77	2A0022	75	312-810D	7	492650	77
1406016	33, 39, 59	2A0132	75	312-811D	7	492688	77
1406028	35, 61	2A0208	75	312-812D	11	492699	77
1446016	43, 47, 63	2M3316	75	312-812D81	11	492711	77
1446037	45, 49, 65, 67	300-202S	11, 21	312-812D82	11	494768	77
1526062	47	300-429D	11	312-812D83	11	4M3102	75
1526070	49	300-431D	11	312-813D	11	5M3116	75
1526077	33, 43	312-075D	15	312-814D	11	6001010	65
1526085	35, 45	312-082D	15	312-815D	11	6001085	61
		312-089D	15	312-816D	11	6141480	65
		312-421H	21	312-817D	11	6141660	55, 57
		312-475H	23	312-820D	9	6331070	33, 35, 43, 45, 47, 49
		312-503A	27	312-821D	11		



## Table of Contents    Part Number Index



## Part Number Index (continued)

Part Number	Page	Part Number	Page	Part Number	Page	Part Number	Page
6331080	33, 37, 39, 41, 43, 47, 67	802-392C	11	814-268C	23	826-424C82	15
6410114	65	802-603C	11	815-091C	7	826-424C83	15
6410716	55, 57	802-634C	21	815-092C	7	826-497C	15
6411010	61	803-013C	19	815-093C	23	827-036C	7
6412016	55, 57	803-014C	77	816-098C	23	838-062C	79
6412114	65	803-019C	17	816-272C	31	838-419C	79
645004	77	803-021C	17	816-274C	31	838-420C	79
6560006	33, 43, 47, 55	803-026C	7, 11, 19, 23	816-286C	7	838-421C	79
6560208	57	803-029C	23	816-299C	29	838-643C	79
6560508	33, 35, 37, 39, 41, 43, 45, 47, 49, 67	803-037C	7, 9, 25, 27, 29, 31	816-384C	31	890-118C	21
6691010	63	803-075C	21, 23	816-397C	29	890-177C	23
6691080	59	803-168C	11, 21, 23	816-481C	12	890-182C	21
6761480	61	803-170C	15	817-165C	15	890-341C	25, 27
6821483	59, 63	803-198C	11, 29, 31	817-259C	15	890-352C	12
6821484	55, 57	803-231C	11	818-130C	79	890-400C	25, 27
6M3126	75	803-255C	11	818-142C	79	890-583C	7
7M3316	75	803-265C	21, 23	818-190C	79	890-961C	7
8.0.1.00870	71	803-271C	7	818-225C	79	A252.500	73
8.0.9.00026	71	803-279C	65	818-229C	79	dwg10219	75
8.0.9.00107	69, 73	803-289C	7	818-230C	79	dwg10452	51, 53
8.0.9.00125	69, 73	803-299C	15	818-335C	79	dwg15521	63
8.0.9.00469	71	804-007C	11	818-540C	33, 35, 37, 39, 41, 43, 45, 47, 49, 67	dwg15523	59
8.1.1.00041	71	804-012C	11, 19	818-543C	79	dwg15995	39, 67
8.1.1.00501	69, 73	804-013C	11	818-552C	33, 35, 37, 39, 41, 43, 45, 47, 49, 67, 79	dwg16173	35, 45, 49
8.4.1.00978	69, 73	804-015C	7, 15, 23	818-564C	79	dwg16370	37
8.4.7.00146	71	804-016C	7, 23	818-681C	79	dwg16561	65
8.4.7.01111	71	804-021C	17	818-830C	79	dwg16610	41
8.5.2.00131	71	804-022C	17	818-862C	79	dwg22283	33, 43, 47
8.6.6.00088	71	804-024C	23	818-902C	79	dwg22332	11
8.6.6.00201	69, 71, 73	804-025C	11, 21	818-903C	79	dwg22333	15
8.6.7.00161	69, 73	804-028C	21	820-112C	15	dwg22334	7
8.6.7.00269	71	804-029C	11, 21, 23	820-137C	15	dwg22335	21
8.7.0.00744	71	804-055C	23	820-193C	15	dwg22336	23
8.7.1.01107	71	804-066C	7	820-195C	15	dwg22337	29
8.7.1.02686	69, 73	804-147C	15	820-196C	15	dwg22338	25
8.7.3.00055	71	804-157C	15	820-209C	15	dwg22339	31
8.7.3.02685	69, 73	804-161C	15	820-210C	15	dwg22340	27
800-001C	7, 15	804-171C	7	820-211C	15	dwg22341	17
800-069C	17	805-004C	19	822-091C	7, 23	dwg22342	9
800-073C	9	805-015C	21	822-092C	7, 23	dwg22343	19
800-117C	19	805-016C	23	822-094C	9	dwg22345	55
801-023C	77	805-041C	11, 21	822-100C	17	dwg22346	69
801-035C	9	805-045C	21, 23	826-053C	9, 53	dwg22347	71
802-005C	11	805-058C	11	826-063C	9, 51	dwg22348	73
802-022C	19	805-083C	21, 23	826-151C	17, 41	dwg22350	57
802-034C	9, 15	805-088C	19, 23	826-215C	15, 43	dwg22353	79
802-064C	11, 15	805-090C	11, 23	826-216C	15, 33	dwg22375	61
802-065C	15, 23	805-103C	11	826-220C	17, 45	dwg25901	77
802-073C	11	805-104C	23	826-221C	17, 35	N/A	77
802-074C	21	805-137C	11	826-223C	17, 37		
802-082C	9	805-187C	23	826-225C	9, 67		
802-098C	11, 21	805-255C	7	826-226C	9, 39		
802-104C	23	805-274C	11	826-255C	15, 47		
802-106C	7, 29, 31	805-301C	12, 21	826-256C	17, 49		
802-155C	29, 31	807-023C	19	826-356C	15, 69		
802-162C	7	807-143C	23	826-356C81	15		
802-169C	11	810-200C	19, 75, 77	826-356C82	15		
802-183C	25, 27	810-210C	75	826-356C83	15		
802-184C	19	810-242C	19	826-358C	15, 71		
802-214C	25, 29, 31	811-170C	19	826-358C81	15		
802-260C	17	811-394C	19	826-358C82	15		
802-262C	17	811-676C	19	826-358C83	15		
802-277C	15	814-058C	7	826-359C	15, 55		
802-280C	7	814-059C	23	826-360C	15, 57		
802-314C	15	814-066C	23	826-424C	15, 73		
802-326C	7, 23	814-161C	7	826-424C81	15		
802-360C	23	814-162C	7				
802-368C	11, 23	814-162C	7				
		814-263C	23				
		814-266C	23				
		814-267C	23				



Great Plains Manufacturing, Inc.

Corporate Office: P.O. Box 5060  
Salina, Kansas 67402-5060 USA

[www.landpride.com](http://www.landpride.com)

---