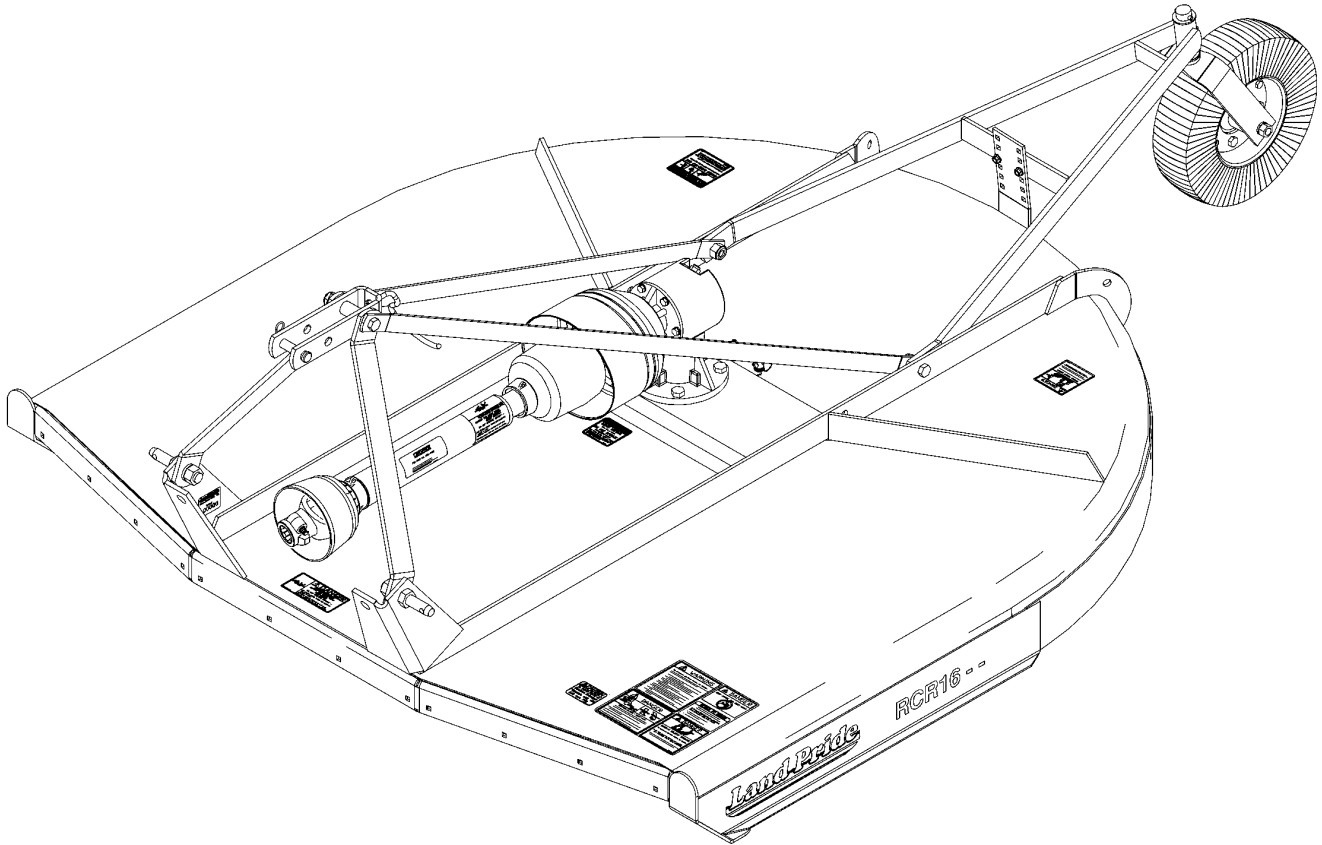


Rotary Cutter

RCR1660 & RCR1672



19816

312-742P Parts Manual



Read the Operator's manual entirely. When you see this symbol, the subsequent instructions and warnings are serious - follow without exception. Your life and the lives of others depend on it!

© Copyright 2007 Printed 11/07/07

Cover photo may show optional equipment not supplied with standard unit.





Table of Contents

Section 1: Introduction.....	4
Using This Manual.....	4
Manual Replacement Information.....	4
Manual Revisions.....	4
Touch-up Paint.....	4
Hardware Legend.....	5
Replacement Hardware.....	5
Serial Numbers.....	5
Part Number Service Coding.....	5
Section 2: Decks.....	6
Deck and Hitch.....	6
Section 3: Gauge Wheels.....	9
Gauge Wheels.....	10
Section 4: Guards.....	12
Guards Chain (RCR1672 Shown).....	12
Guards Rubber (RCR1672 Shown).....	14
Section 5: Drivelines.....	16
Driveline Shear Bolt (826-020C) Eurocardan.....	16
Driveline Shear Bolt (826-343C) Eurocardan.....	18
Driveline Slip Clutch (1344014) Eurocardan.....	20
Driveline Slip Clutch (826-022C) Eurocardan.....	22
Driveline Slip Clutch (826-344C) Eurocardan.....	24
Section 6: Gearboxes.....	26
Comer Gearbox (826-384C) (S/N 377687+).....	26
Gearbox (826-026C) OMNI (S/N 377868-).....	28
Gearbox (826-383C) Comer (S/N 377869+).....	30
Gearbox 826-018C (S/N 377686-) OMNI.....	32
Section 7: Labels.....	34
Label Placement.....	34
 Part Number Index.....	 36

© Copyright 2007. All rights reserved.

Land Pride provides this publication “as is” without warranty of any kind, either expressed or implied. While every precaution has been taken in the preparation of this manual, Land Pride assumes no responsibility for errors or omissions. Neither is any liability assumed for damages resulting from the use of the information contained herein. Land Pride reserves the right to revise and improve its products as it sees fit. This publication describes the state of this product at the time of its publication, and may not reflect the product in the future. The illustrations in this manual are not intended for safe and proper assembly or disassembly of equipment. The illustrations are intended for ordering parts only.

Land Pride is registered trademark.

All other brands and product names are trademarks or registered trademarks of their respective holders.

Printed in the United States of America.



Alphabetized Table of Contents

C	
	Comer Gearbox (826-384C) (S/N 377687+).....26
D	
	Deck and Hitch.....6
	Driveline Shear Bolt (826-020C) Eurocardan.....16
	Driveline Shear Bolt (826-343C) Eurocardan.....18
	Driveline Slip Clutch (1344014) Eurocardan.....20
	Driveline Slip Clutch (826-022C) Eurocardan.....22
	Driveline Slip Clutch (826-344C) Eurocardan.....24
G	
	Gauge Wheels.....10
	Gearbox (826-026C) OMNI (S/N 377868-).....28
	Gearbox (826-383C) Comer (S/N 377869+).....30
	Gearbox 826-018C (S/N 377686-) OMNI.....32
	Guards Chain (RCR1672 Shown).....12
	Guards Rubber (RCR1672 Shown).....14
L	
	Label Placement.....34

General Information

Using This Manual

This manual is divided into sections. The first section contains General Information. The remaining sections divide the machine into segments (i.e. Frames, Drives, Hydraulics, etc.) which illustrate and list all parts. A Parts Number Index is located at the back of the book.

The Land Pride parts in this manual are specially designed for this machine and should be replaced with Land Pride parts only.

The information in this manual is current at time of printing. Some parts may change to assure top performance.

Right-hand and left-hand as used in this manual are determined by facing the direction the machine will travel while in use.

Below is an example of two facing pages from a parts manual. Familiarize yourself with the type of information contained on these pages.

Manual Replacement Information

Replacement manuals are available. Refer to our website at www.landpride.com, the Land Pride Support Center CD or e-mail us at lit@landpride.com for additional information. Our website continues to provide the most up-to-date manuals available.

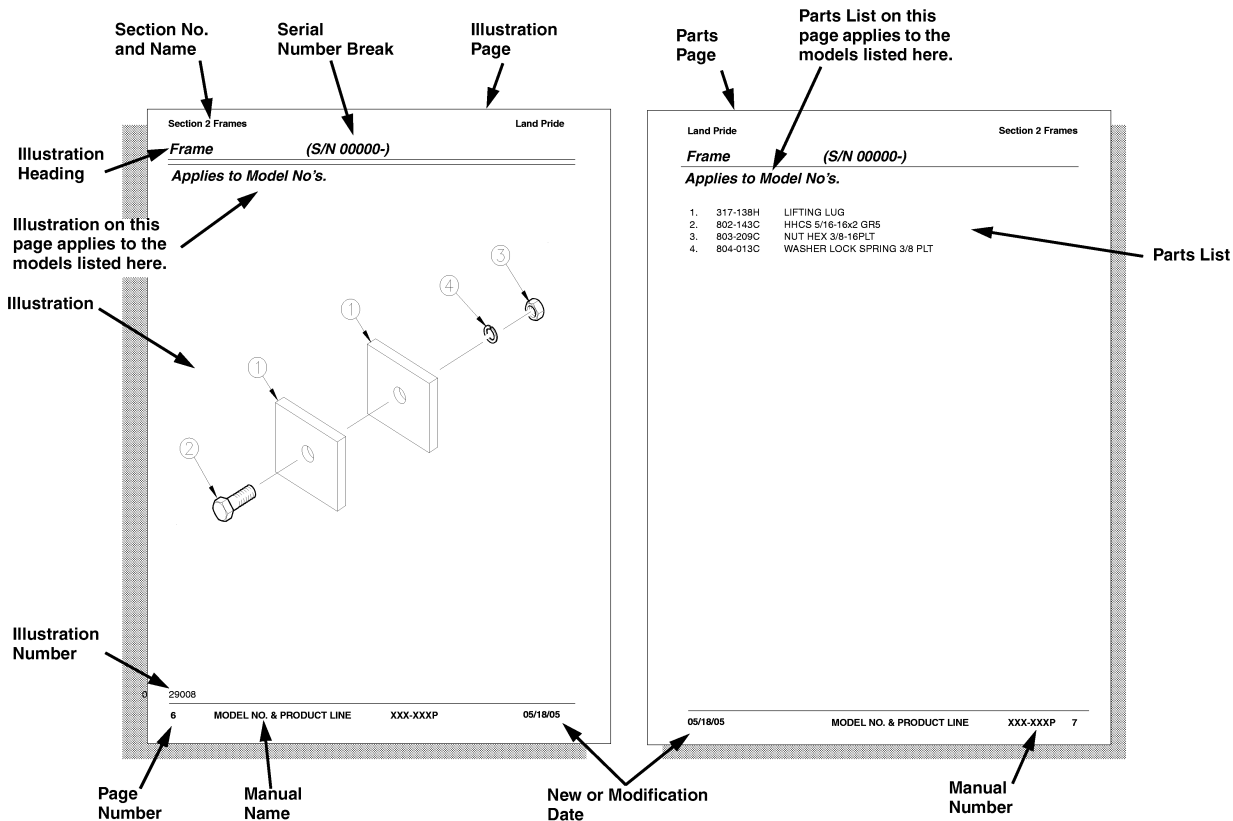
Touch-up Paint

Repaint parts where paint is worn or scratched to prevent rust. Aerosol cans and touch-up bottles with brush applicator are available through your local dealer. Land Pride color descriptions and part numbers are listed below. Also available are quart and gallon size paints. Add QT or GL to end of the Aerosol P/N.

Color	Product ¹	Aerosol	Touch-Up
Gloss Black	LP	821-032C	821-032CTU
Medium Gloss Black	UV	821-053C	821-053CTU
Beige	LP	821-011C	821-011CTU
Green	SLP	821-058C	821-058CTU
Orange	SLP	821-066C	821-066CTU
Red	SLP/UV	821-054C	821-054CTU
Blue	SLP/UV	821-067C	821-067CTU
Dark Green Sparkle	UV	821-055C	821-055CTU
Gondo Forest Green	UV	821-057C	821-057CTU
Brite Yellow ²	UV	821-056C	821-056CTU
Gondo Yellow ³	UV	821-059C	821-059CTU

Notes:

- 1 LP = All Land Pride Products except Utility Vehicles
SLP = Select Land Pride Products that are available in optional Green, Orange, Red, & Blue colors.
UV = Utility Vehicles
- 2 Used on Trekers and (Runabouts with S/N 407628-)
- 3 Used on Gondos and (Runabouts with S/N 407629+)



General Information

Hardware Legend

AR	As Required
BLADE	Blade Bolt
C	Cap Screw
CP	Cotter Pin
CPHSSS	Cup Point Hex Socket Set Screw
CPSHSS	Cup Point Square Head Set Screw
CPSQHSS	Cup Point Square Head Set Screw
CRFCHMS3	Cross Recess Flat Countersunk Head Machine Screw
CRPHMS	Cross Recess Pan Head Machine Screw
CRPHTF	Cross Recess Pan Head Thread Forming
CRRHMS	Cross Recess Round Head Machine Screw
CRTHMS	Cross Recess Truss Head Machine Screw
CSNB	Countersunk Square Neck Bolt
FHMS	Flat Head Machine Screw
FTC	Full Thread Cap Screw
H	Hex Nut
HCLN	Hex Center Lock Nut
HFLCS	Hex Flange Lock Cap Screw
HFS	Hex Flange Screw
HFSLN	Hex Flange Serrated Lock Nut
HFSS	Hex Flange Serrated Screw
HHCS	Hex Head Cap Screw or Metric Bolt
HSBHCS	Hex Socket Button Head Cap Screw
HSFCHCS	Hex Socket Flat Countersunk Head Cap Screw
HSHCS	Hex Socket Head Cap Screw
HSSS	Hex Socket Head Screw
HTLN	Hex Top Lock Nut
HWHCS	Hex Washer Head Cap Screw

HWHMS	Hex Washer Head Machine Screw
HXBHCS	Hex Socket Button Head Cap Screw
J	Hex Jam Nut
JIC	37 Degree Tapered Thread
L	Helical Spring Lock Washer
LUG	Lug Bolt
NFC	National Fine Cap Screw
NPSM	National Pipe Straight Mechanical
NPTF	National Pipe Taper Fuel
P	Wide Plain Washer
PHMS	Pan Head Machine Screw
PLOW	Plow Bolt
RHMS	Round Head Machine Screw
RHSNB	Round Head Square Neck Bolt
SCREW LEVELING	Leveling Screw
SCREW THUMB	Thumb Screw
SCREW WELD	Weld Screw
SFCHMS	Slotted Flat Countersunk Head Machine Screw
SFHMS	Slotted Fillister Head Machine Screw
SP	Special
SP SCREW	Special Screw
SQHSS	Square Head Set Screw
SRHMS	Slotted Round Head Machine Screw
SSS	Socket Set Screw
STCS	Self Tapping Cap Screw
STHMS	Slotted Truss Head Machine Screw
WHEEL	Wheel Studs and Hub Long Bolts
WING	Wing Bolt

Replacement Hardware

The **Hardware Legend** above lists hardware abbreviations used in the parts list. All bolts and nuts are Grade 5 unless otherwise noted. The use of improper grades of hardware can result in personal injury, damage to equipment, or loss of property.

Colored Replacement Parts

Land Pride offers replacement parts in factory standard colors and also on select models in Green, Orange, Red and Blue. Because of the variety of colors available, special attention must be given to the part number to prevent ordering the wrong replacement part.

A suffix number corresponding to one of the colors below must be added at the end of Land Pride's part number when ordering a replacement part with that color.

81 Green 83 Red
82 Orange 84 Blue

For example, if you are ordering a replacement part with part number 555-555C and the part you need is red, then add the suffix 83 to the end of the number to make the part number read 555-555C83. Parts ordered without a suffix number will be supplied in factory standard colors.

Black Replacement Parts

Some parts are factory standard black and some must be special ordered black. If your part is special ordered black, a second part number with the additional suffix number 85 on the end will be available. In this situation you must order that part with the suffix number for it to be black. Parts that are factory standard black will not have the suffix number.

Part Number Service Coding

Within the parts list some part numbers are coded for revisions and interchangeability. See notations in revision column.

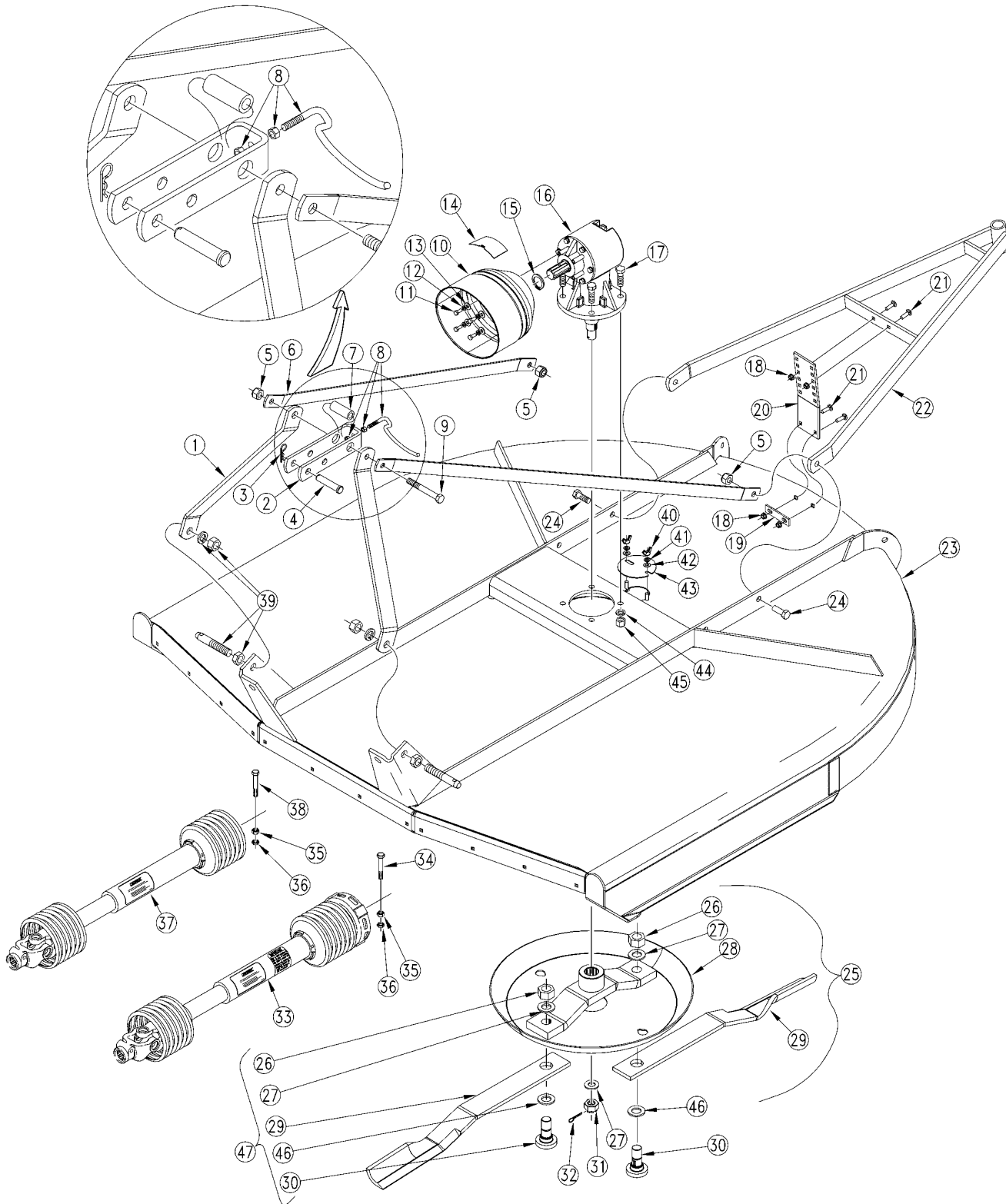
Serial Numbers

Always use the serial and model number when ordering parts. Refer to the Operator's Manual for serial number plate location.

- (S/N 20001+) Includes serial numbers 20001 and above (to the latest number)
- (S/N 10001 to 20000) Includes serial numbers between and including 10001 and 20000
- (S/N 10000-) Includes serial numbers 10000 and below (to the earliest number)

Deck and Hitch

Applies to RCR1660, RCR1672



19771

Deck and Hitch**Applies to RCR1660, RCR1672**

Ref	Part No.	Part Description	Comments	Revision
	dwg19771	Drawing Image Number		
1.	312-848D	A-FRAME		
2.	312-609D	PIVOTING UPPER HITCH		
3.	805-143C	PIN HAIR COTTER .120 PLT		
4.	805-142C	PIN CLEVIS 3/4 X 3 1/2 PLT		
5.	803-271C	NUT HEX TOP LOCK 5/8-11 PLT		
6.	326-062D	REAR BRACE	RCR1660	
6.	326-075D	REAR BRACE	RCR1672	
7.	312-610D	SPACER TOP HITCH		
8.	800-320C	DRIVELINE HOOK HANGER W/HRDWR		
9.	802-062C	HHCS 5/8-11X5 GR5		
10.	826-240C	SMALL SHAFT CONE W ACCESS DOOR		
11.	802-007C	HHCS 5/16-18X3/4 GR5		
12.	804-009C	WASHER LOCK SPRING 5/16 PLT		
13.	804-010C	WASHER FLAT 5/16 USS PLT		
14.	38/11	MCCN ACCESS COVER		
15.	800-079C	RING SNAP 1 3/8 EXT 5100-137	Used only with Shear Bolt Driveline	
16.	826-383C	GBOX RC16 1.38 RD.1:1.93 STD.	RCR1660(S/N 377869+)	
16.	826-384C	GBOX RC16 1.38 RD.1:1.47 STD.	RCR1672 (S/N 377687+)	
16.	826-018C	GEARBOX 40HP 1:1.462 SPEEDUP	RCR1672 (S/N 377686-)	
16.	826-026C	GEARBOX 30HP 1:1.93 SPEED-UP	RCR1660(S/N 377868-)	
17.	802-055C	HHCS 5/8-11X2 GR5		
18.	803-198C	NUT HEX WHIZ 3/8-16 PLT		
19.	312-851D	GAUGE WHEEL SUPPORT FLAT		
20.	312-850D	GAUGE WHEEL ADJ. FLAT		
21.	802-155C	RHSNB 3/8-16X1 1/4 GR5		
22.	312-559H	GAUGE WHEEL MAINFRAME WLDMT		
23.	312-711H	RCR1660 DECK WELDMENT		
23.	312-726H	RCR1672 DECK WELDMENT		
24.	802-055C	HHCS 5/8-11X2 GR5		
25.	312-557S	60"BLADE CARRIER ASSY.		
25.	312-579S	72"BLADE CARRIER ASSEMBLY		
26.	803-170C	NUT HEX TOP LOCK 1 1/8-12 PLT.		
27.	804-147C	WASHER FLAT 1 HARD ASTMF436 PN		
28.	312-815H	15 DISHPAN WLDMT SM.HUB(COMER)	RCR1660 (S/N 377869+); RCR1672 (S/N 377687+)	Rev. 2
28.	312-560H	DISHPAN WELDMENT 15"CTR.	RCR1660 (S/N 377868-); RCR1672 (S/N 377686-)	Rev 1; Use up stock
29.	820-198C	CUTTER BLADE 7/16X3X25 CCW	Standard blades RCR1660 Quantity 2 per cutter	
29.	820-212C	CUTTER BLADE 1/2X3X25 LL CCW	Optional Low Lift blades RCR1660 Quantity 2 per cutter	
29.	820-199C	CUTTER BLADE 1/2 X3X31 CCW	Standard blades RCR1672 Quantity 2 per cutter	
29.	820-213C	CUTTER BLADE 1/2X3X31 LL CCW	Optional Low Lift blades RCR1672 Quantity 2 per cutter	
30.	802-277C	BLADE BOL 1 1/8-12X3 7/16 W/KY		
31.	8.2.2.00515	CO NUT, CASTLE M24 X 2	RCR1660 S/N 377869+ RCR1672 S/N 377687+	
31.	803-095C	NUT HEX SLOTTED 1-14	RCR1660 S/N 377868- RCR1672 S/N 377686-	
32.	805-017C	PIN COTTER 3/16 X 1 3/4 PLT		
33.	826-022C	DRIVELINE 2300 X 38 W/CLUTCH	RCR1660	
33.	826-344C	PTO SLIP CLUTCH CAT3 X 43	RCR1672	
34.	802-265C	HHCS 1/2-13X3 1/2 GR8		
35.	803-020C	NUT HEX 1/2-13 PLT		
36.	803-036C	NUT HEX JAM 1/2-13 PLT		
37.	826-020C	PTO 2300 X 38 SHEAR BOLT	RCR1660	

Deck and Hitch (continued)**Applies to RCR1660, RCR1672**

Ref	Part No.	Part Description	Comments	Revision
37.	826-343C	PTO SHEAR BOLT CAT3 X 43	RCR1672	
38.	802-264C	HHCS 1/2-13X3 1/2 GR2		
39.	805-111C	PIN DRAW 7/8 X 5		
40.	803-231C	NUT WING 3/8-16 PLT		
41.	804-013C	WASHER LOCK SPRING 3/8 PLT		
42.	804-012C	WASHER FLAT 3/8 SAE PLT		
43.	312-886D	ACCESS COVER PLATE		
44.	804-022C	WASHER LOCK SPRING 5/8 PLT		
45.	803-148C	NUT HEX NYLOCK 5/8-11 PLT		
46.	312-082D	BLADE SPACER 18 GA	As Required	
46.	312-075D	BLADE SPACER 16 GA	As Required	
46.	312-089D	BLADE SPACER 20 GA.	As Required	
46.	312-808D	BLADE SPACER 24GA	As Required	
47.	326-039A	RCR16-1860 MATCHED BLADE KIT		
47.	326-040A	RCR16-1872 MATCHED BLADE KIT		

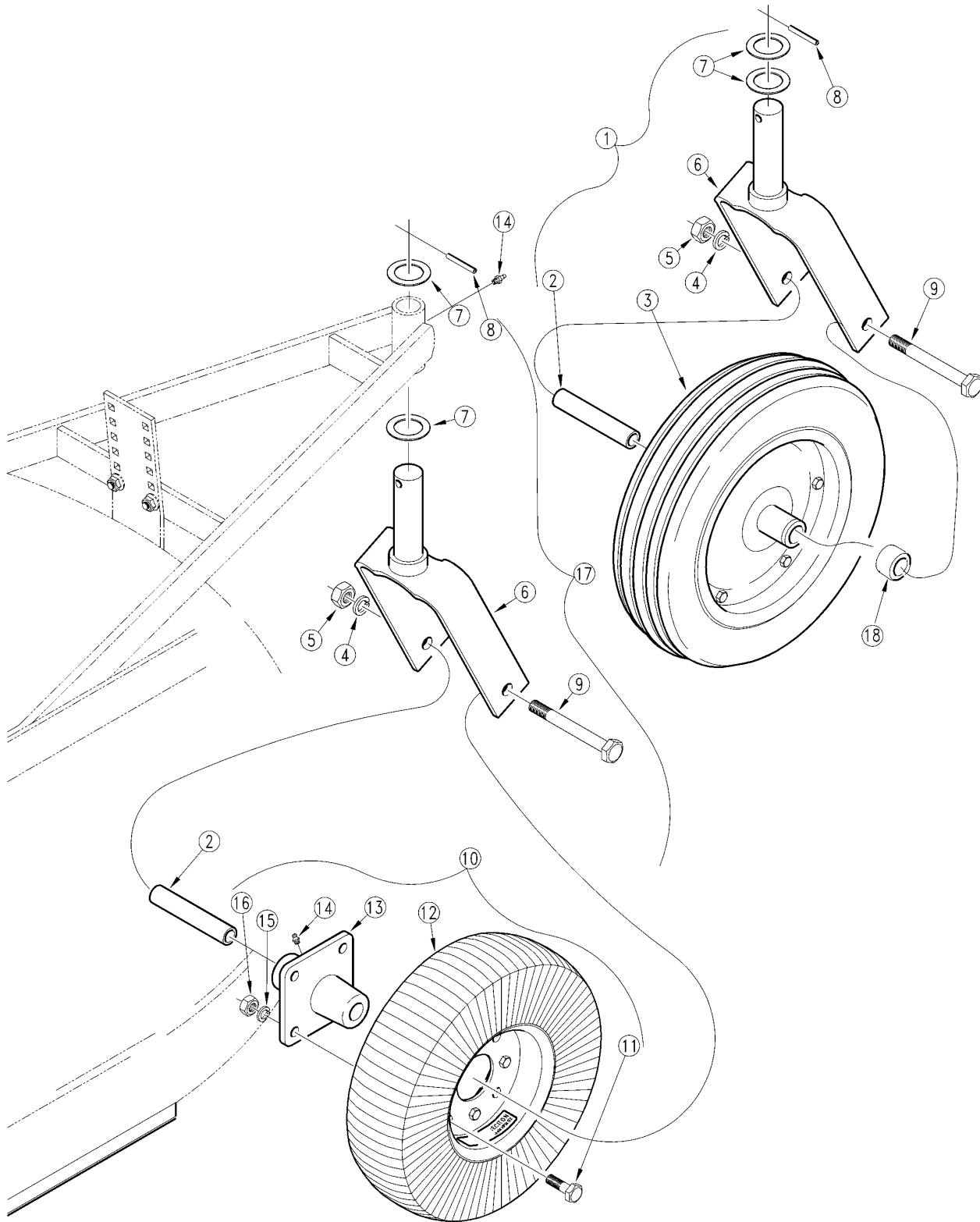
Deck and Hitch (continued)

Applies to RCR1660, RCR1672

This Page Intentionally Left Blank

Gauge Wheels

Applies to RCR1660, RCR1672



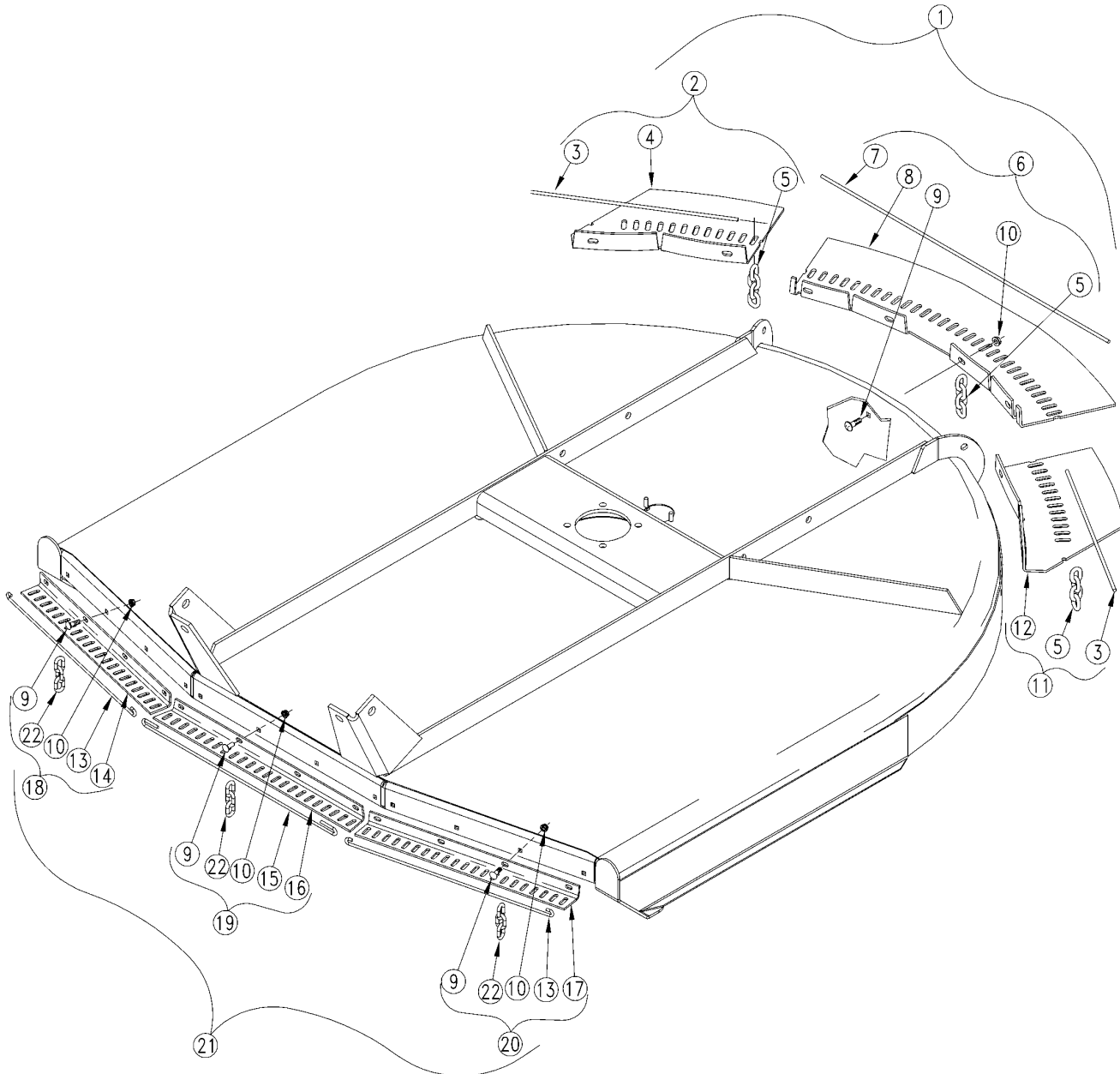
16339

Gauge Wheels**Applies to RCR1660, RCR1672**

Ref	Part No.	Part Description	Comments	Revision
	dwg16339	Drawing Image Number		
1.	312-554A	RUBBER TIRE/WHEEL & YOKE	Includes items 2 through 9	
2.	312-021D	TUBE 1 OD X 5/32 WL X 5 3/8 LG		
3.	814-065C	WHL&SOLID RBR TIRE 4 X 16I		
4.	804-022C	WASHER LOCK SPRING 5/8 PLT		
5.	803-021C	NUT HEX 5/8-11 PLT		
6.	312-561H	FORK WELDMENT		
7.	804-062C	WASHER MACH 1.88 X 1.25 X 10GA		
8.	805-177C	PIN ROLL 5/16 X 1 3/4 PLT		
9.	802-262C	HHCS 5/8-11X7 GR5		
10.	312-008S	TAILWHEEL HUB AND WHEEL ASSY	Includes items 11 through 16	
11.	802-034C	HHCS 1/2-13X1 1/4 GR5		
12.	814-058C	TIRE & WHEEL LAMINATED 4.0 X 8		
13.	312-020D	TAILWHEEL HUB		
14.	800-080C	GREASE ZERK 1/4-28 THD FORMING	S/N 387847- & S/N 388867+	
14.	800-001C	GREASE ZERK STRAIGHT 1/4-28	S/N 387848 To 388866	
15.	804-015C	WASHER LOCK SPRING 1/2 PLT		
16.	803-020C	NUT HEX 1/2-13 PLT		
17.	312-553A	LAMINATED TIRE/WHEEL & YOKE	Includes items 2, 4 through 9 & 10	
18.	001S1	COMER ITEC BRG FOR 814-065C		

Guards Chain (RCR1672 Shown)

Applies to RCR1660, RCR1672



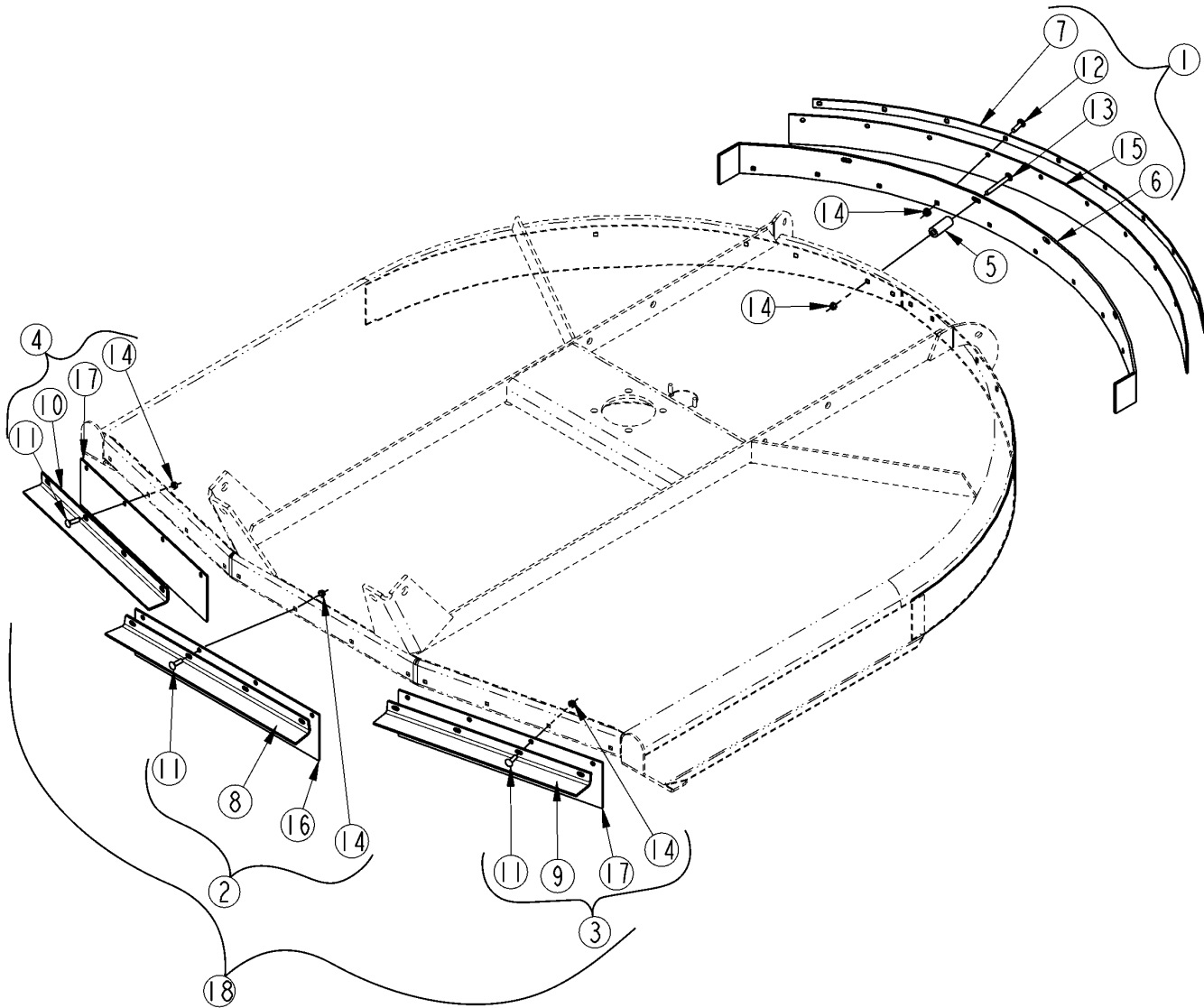
19767

Guards Chain (RCR1672 Shown)**Applies to RCR1660, RCR1672**

Ref	Part No.	Part Description	Comments	Revision
	dwg19767	Drawing Image Number		
1.	312-552A	REAR CHAIN GUARD COMPT.	RCR1660	
1.	312-576A	REAR CHAIN GUARD COMPLETE	RCR1672	
2.	312-566K	ASSY. REAR OUTER RH. CHAIN GD.	RCR1660	
2.	312-593K	ASSY. REAR OUTER RH. CHAIN GD.	RCR1672	
3.	312-890D	ROUND ROD 1/4 X 15 1/2	RCR1660	
3.	318-142D	ROUND ROD 1/4 X 21	RCR1672	
4.	312-864D	REAR OUTER RH. CHAIN GUARD	RCR1660	
4.	312-884D	REAR OUTER RH. CHAIN GUARD	RCR1672	
5.	890-400C	CHAIN WELD 5/16 PROOF X 4 LINK		
6.	312-565K	ASSY. REAR CENTER CHAIN GUARD	RCR1660	
6.	312-592K	ASSY. REAR CENTER CHAIN GUARD	RCR1672	
7.	318-891D	ROUND ROD 1/4 X 30 1/2	RCR1660	
7.	318-108D	ROUND ROD 1/4 X 36	RCR1672	
8.	312-863D	REAR CENTER CHAIN GUARD	RCR1660	
8.	312-883D	REAR CENTER CHAIN GUARD BRKT.	RCR1672	
9.	802-015C	RHSNB 3/8-16X1 GR5		
10.	803-198C	NUT HEX WHIZ 3/8-16 PLT		
11.	312-567K	ASSY. REAR OUTER LH. CHAIN GD.	RCR1660	
11.	312-594K	ASSY. REAR OUTER LH. CHAIN GD.	RCR1672	
12.	312-865D	REAR OUTER LH. CHAIN GUARD	RCR1660	
12.	312-885D	REAR OUTER LH. CHAIN GUARD	RCR1672	
13.	318-142D	ROUND ROD 1/4 X 21	RCR1660	
13.	318-337D	ROUND ROD 1/4 X 25	RCR1672	
14.	326-068D	FRONT RH CHAIN GUARD BRACKET	RCR1660	
14.	326-081D	FRONT RH CHAIN GUARD BRACKET	RCR1672	
15.	312-891D	ROUND ROD 1/4 X 30 1/2		
16.	326-066D	FRONT CENTER CHAIN GUARD BRKT		
17.	326-067D	FRONT LH CHAIN GUARD BRACKET	RCR1660	
17.	326-080D	FRONT LH CHAIN GUARD BRACKET	RCR1672	
18.	312-719K	FRONT RH CHAIN GUARD ASSEMBLY	RCR1660	
18.	312-730K	FRONT RH CHAIN GUARD ASSY	RCR1672	
19.	312-717K	FRONT CENTER CHAIN GUARD ASSY		
20.	312-718K	FRONT LH CHAIN GUARD ASSEMBLY	RCR1660	
20.	312-729K	FRONT LH CHAIN GUARD ASSY	RCR1672	
21.	312-713A	FRONT CHAIN GUARD ASSY	RCR1660	
21.	312-727A	FRONT CHAIN GUARD ASSY	RCR1672	
22.	890-485C	CHAIN WELD 5/16 PROOF X 3 LINK		

Guards Rubber (RCR1672 Shown)

Applies to RCR1660, RCR1672



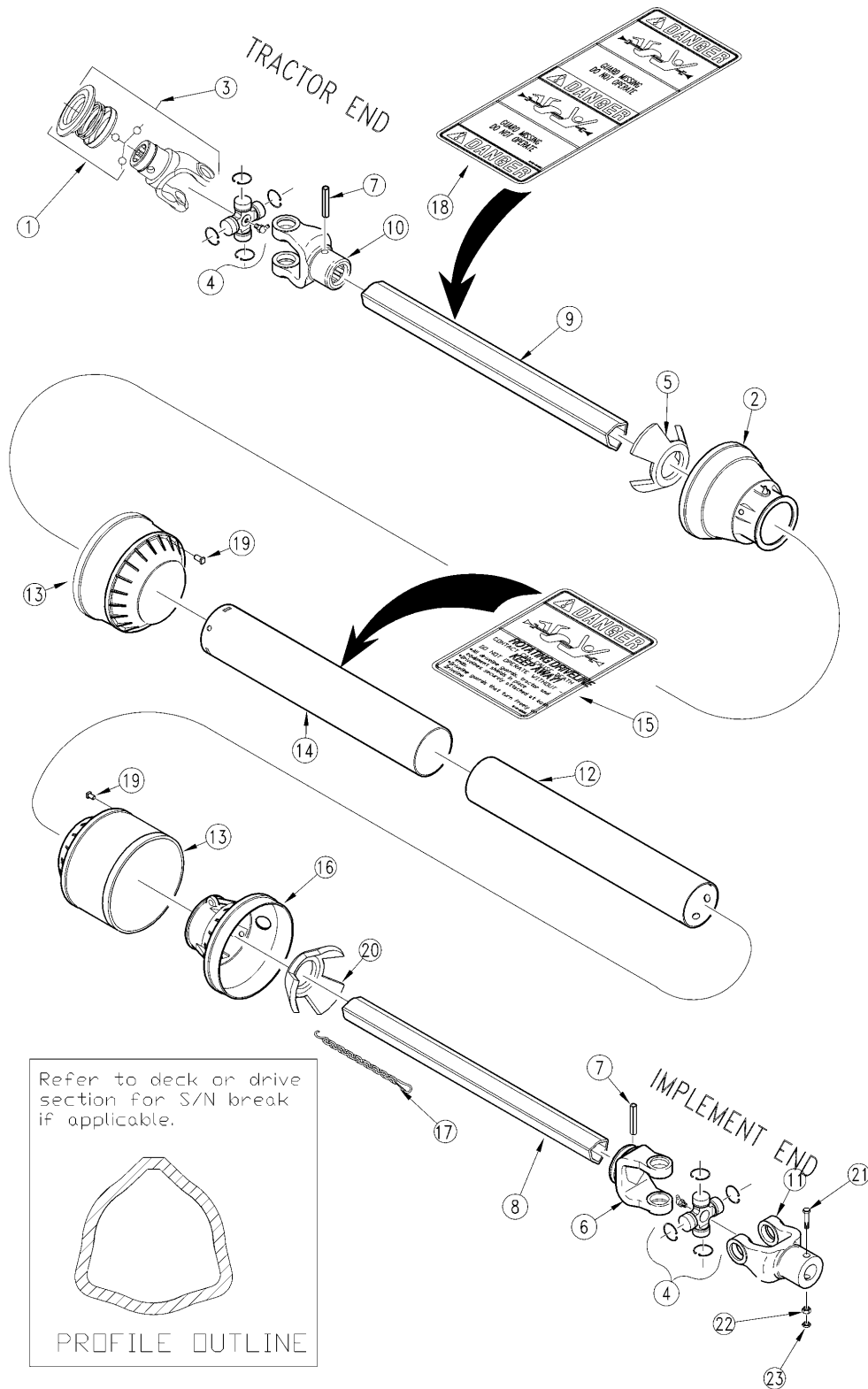
20646

Guards Rubber (RCR1672 Shown)**Applies to RCR1660, RCR1672**

Ref	Part No.	Part Description	Comments	Revision
	dwg20646	Drawing Image Number		
1.	312-651A	RCR15 & 1672 REAR RUBBER ASSY.		
1.	312-652A	RCR15 & 1660 REAR RUBBER ASSY.		
2.	312-714K	FRONT CENTER RUBBER DEF ASSY		
3.	312-733K	FRONT LH RUBBER DEFLECTOR ASSY	RCR1672	
3.	312-715K	FRONT LH RUBBER DEFLECTOR ASSY	RCR1660	
4.	312-734K	FRONT RH RUBBER DEFLECTOR ASSY	RCR1672	
4.	312-716K	FRONT RH RUBBER DEFLECTOR ASSY	RCR1660	
5.	312-948D	DEFLECTOR SPACER		
6.	312-949D	REAR RUBBER DEF. BRKT RCR1572		
6.	312-952D	REAR RUBBER DEF. BRKT RCR1560		
7.	312-950D	DEFLECTOR STRAP RCR1572		
7.	312-953D	DEFLECTOR STRAP RCR1560		
8.	326-063D	FRONT CENTER RUBBER DEF BRKT		
9.	326-083D	FRONT LH RUBBER DEFLECTOR BRKT	RCR1672	
9.	326-064D	4' BACKSTRAP	RCR1660	
10.	326-084D	FRONT RH RUBBER DEFLECTOR BRKT	RCR1672	
10.	326-065D	5' GUARD CHANNEL	RCR1660	
11.	802-155C	RHSNB 3/8-16X1 1/4 GR5		
12.	802-453C	RHSNB 3/8-16X1 1/2 GR5		
13.	802-647C	RHSNB 3/8-16X3 1/2 GR5		
14.	803-198C	NUT HEX WHIZ 3/8-16 PLT		
15.	816-309C	RUBBER DEFLECTOR RCR1572		
15.	816-310C	RUBBER DEFLECTOR RCR1560		
16.	816-371C	FRONT CNTR RUBBER DEF		
17.	816-381C	LH & RH RUBBER DEF	RCR1672	
17.	816-372C	LH & RH RUBBER DEF	RCR1660	
18.	312-731A	FRONT RUBBER DEF ASSY	RCR1672	
18.	312-712A	FRONT RUBBER DEF ASSY	RCR1660	

Driveline Shear Bolt (826-020C) Eurocardan

Applies to RCR1660



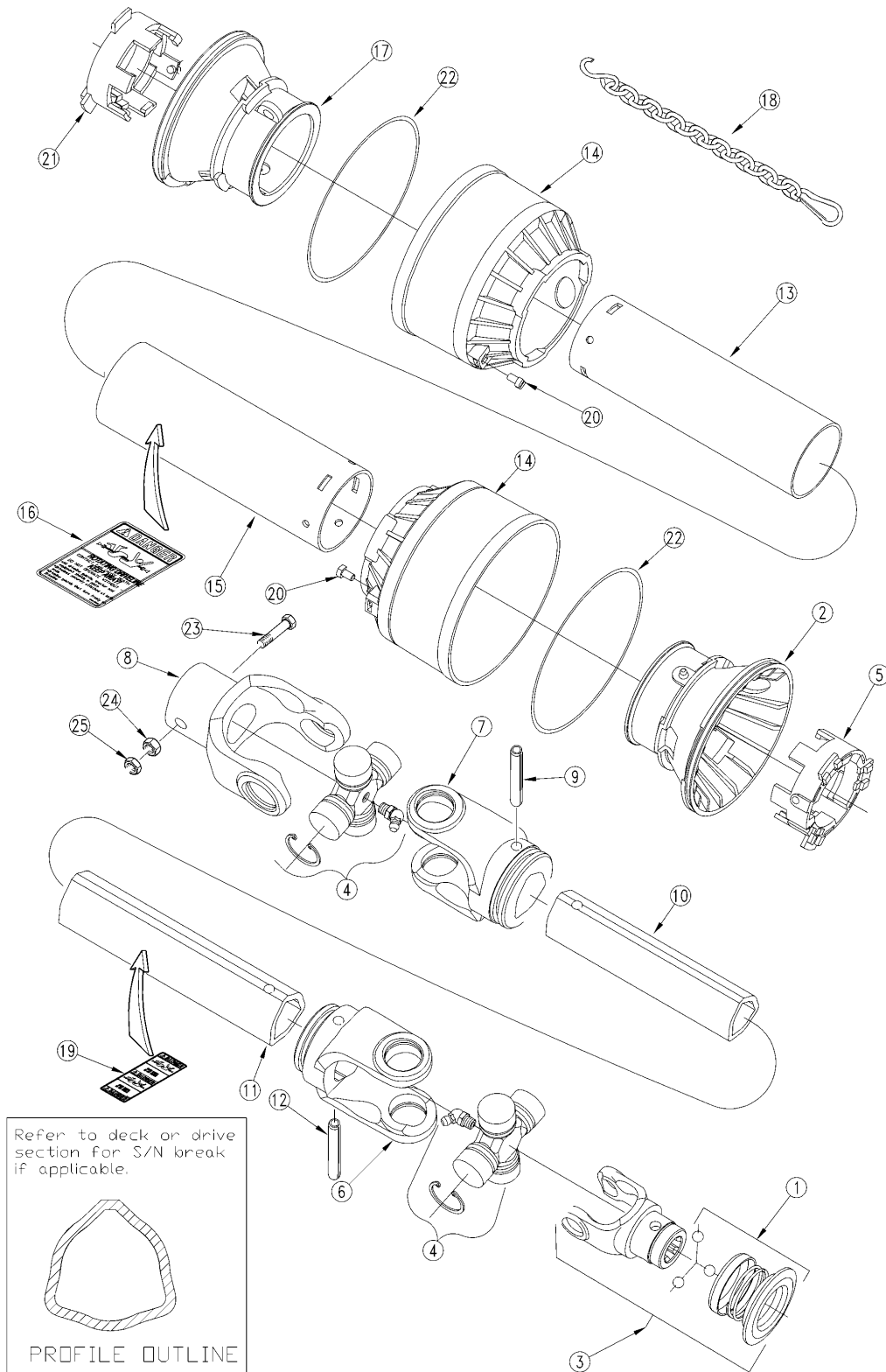
13206

Driveline Shear Bolt (826-020C) Eurocardan**Applies to RCR1660**

Ref	Part No.	Part Description	Comments	Revision
	dwg13206	Drawing Image Number		
	826-020C	PTO 2300 X 38 SHEAR BOLT		
1.	1004225	EC PULL COLLAR KIT		
2.	1884201	EC OUTER TUBE RIGID CONE		
3.	1014012	EC YOKE ASSEMBLY (TRACT. END)		
4.	1004020	EC CROSS ASSEMBLY		
5.	1784210	EC TUBE BEARING		
6.	1704029	EC INNER TUBE YOKE		
7.	6330865	EC 8X65-DIN-1481 O/TUBE R/PIN		
8.	1525082	EC INNER TUBE		
9.	1524082	EC OUTER TUBE (1524085) 820MM		
10.	1704027	EC OUTER TUBE YOKE		
11.	1074033	EC YOKE ASSEMBLY (IMP. END)		
12.	1872074	EC INNER TUBE		
13.	1884203	EC SOFT CONE		
14.	1873074	EC OUTER TUBE		
15.	818-552C	DECAL DANGER PTO DRIVELINE		
16.	1884202	EC INNER TUBE RIGID CONE		
17.	044321	DRIVELINE SHIELD SAFETY CHAIN		
18.	818-540C	DECAL DANGER GUARD MISS PTO		
19.	1784212	EC PIN STOP ROTATION		
20.	1784211	EC TUBE BEARING		
21.	802-264C	HHCS 1/2-13X3 1/2 GR2	Not Included W/Driveline	
22.	803-020C	NUT HEX 1/2-13 PLT	Not Included W/Driveline	
23.	803-036C	NUT HEX JAM 1/2-13 PLT	Not Included W/Driveline	

Driveline Shear Bolt (826-343C) Eurocardan

Applies to RCR1672



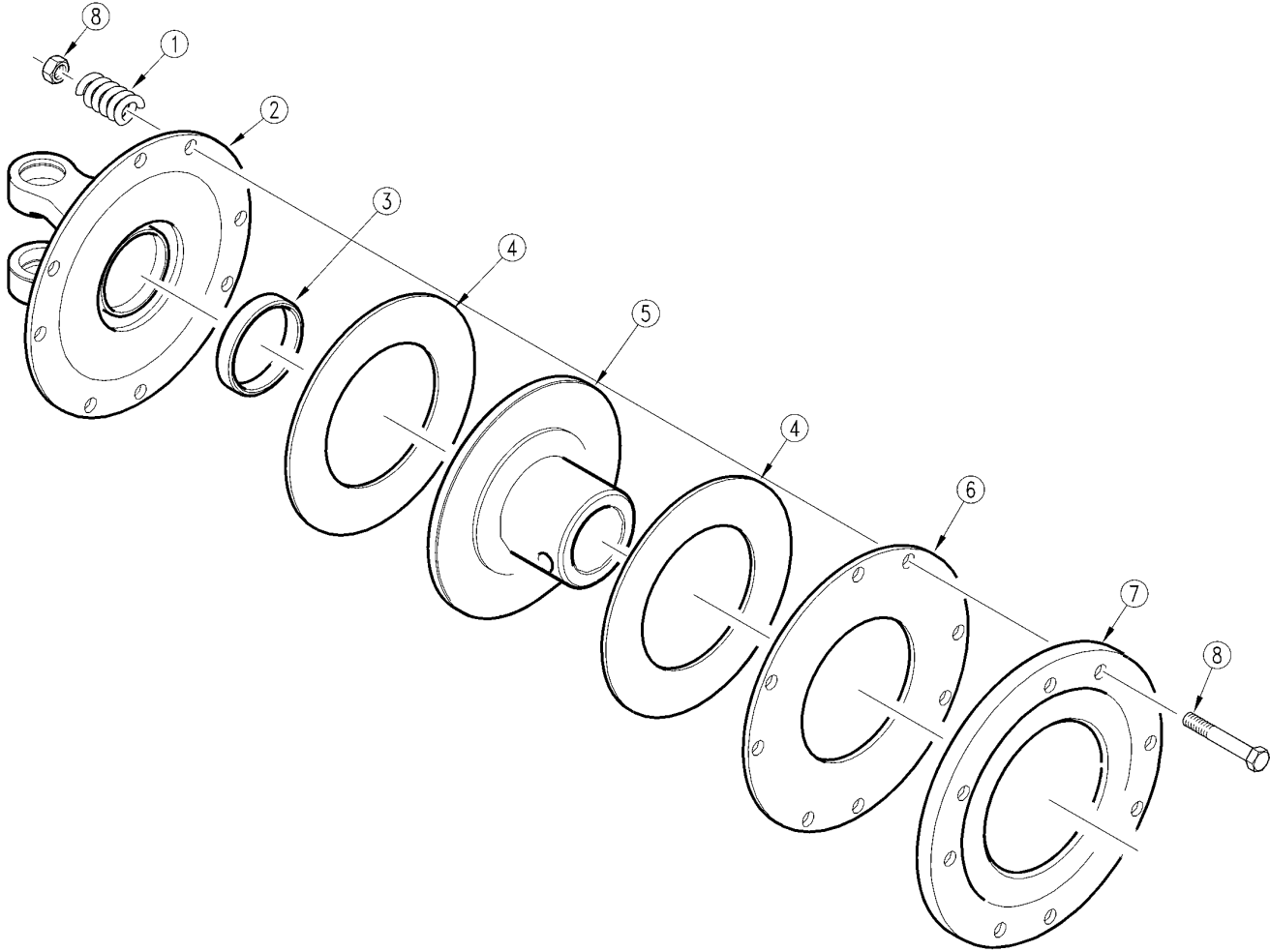
19791

Driveline Shear Bolt (826-343C) Eurocardan**Applies to RCR1672**

Ref	Part No.	Part Description	Comments	Revision
	dwg19791	Drawing Image Number		
	826-343C	PTO SHEAR BOLT CAT3 X 43		
1.	1004225	EC PULL COLLAR KIT		
2.	1884201	EC OUTER TUBE RIGID CONE		
3.	1014012	EC YOKE ASSEMBLY (TRACT. END)		
4.	1004020	EC CROSS ASSEMBLY		
5.	1784210	EC TUBE BEARING		
6.	1704027	EC OUTER TUBE YOKE		
7.	1704029	EC INNER TUBE YOKE		
8.	1074033	EC YOKE ASSEMBLY (IMP. END)		
9.	6330855	EC 8X55-DIN-1481 O/TUBE R/PIN		
10.	1525095	EC 950MM INNER STOCK TUBE		
11.	1524095	EC 950MM OUT. STOCK LENGTH TB.		
12.	6330860	EC 08X60 1485DIN ROLL PIN		
13.	1872087	EC INNER TUBE 870MM		
14.	1884203	EC SOFT CONE		
15.	1873087	EC OUTER SHIELD TUBE 870MM		
16.	818-552C	DECAL DANGER PTO DRIVELINE		
17.	1884202	EC INNER TUBE RIGID CONE		
18.	044321	DRIVELINE SHIELD SAFETY CHAIN		
19.	818-540C	DECAL DANGER GUARD MISS PTO		
20.	1784212	EC PIN STOP ROTATION		
21.	1784211	EC TUBE BEARING		
22.	1213233	EC STIFFENING RING		
23.	802-264C	HHCS 1/2-13X3 1/2 GR2	Not Included W/Driveline	
24.	803-020C	NUT HEX 1/2-13 PLT	Not Included W/Driveline	
25.	803-036C	NUT HEX JAM 1/2-13 PLT	Not Included W/Driveline	

Driveline Slip Clutch (1344014) Eurocardan

Applies to RCR1660, RCR1672



15203

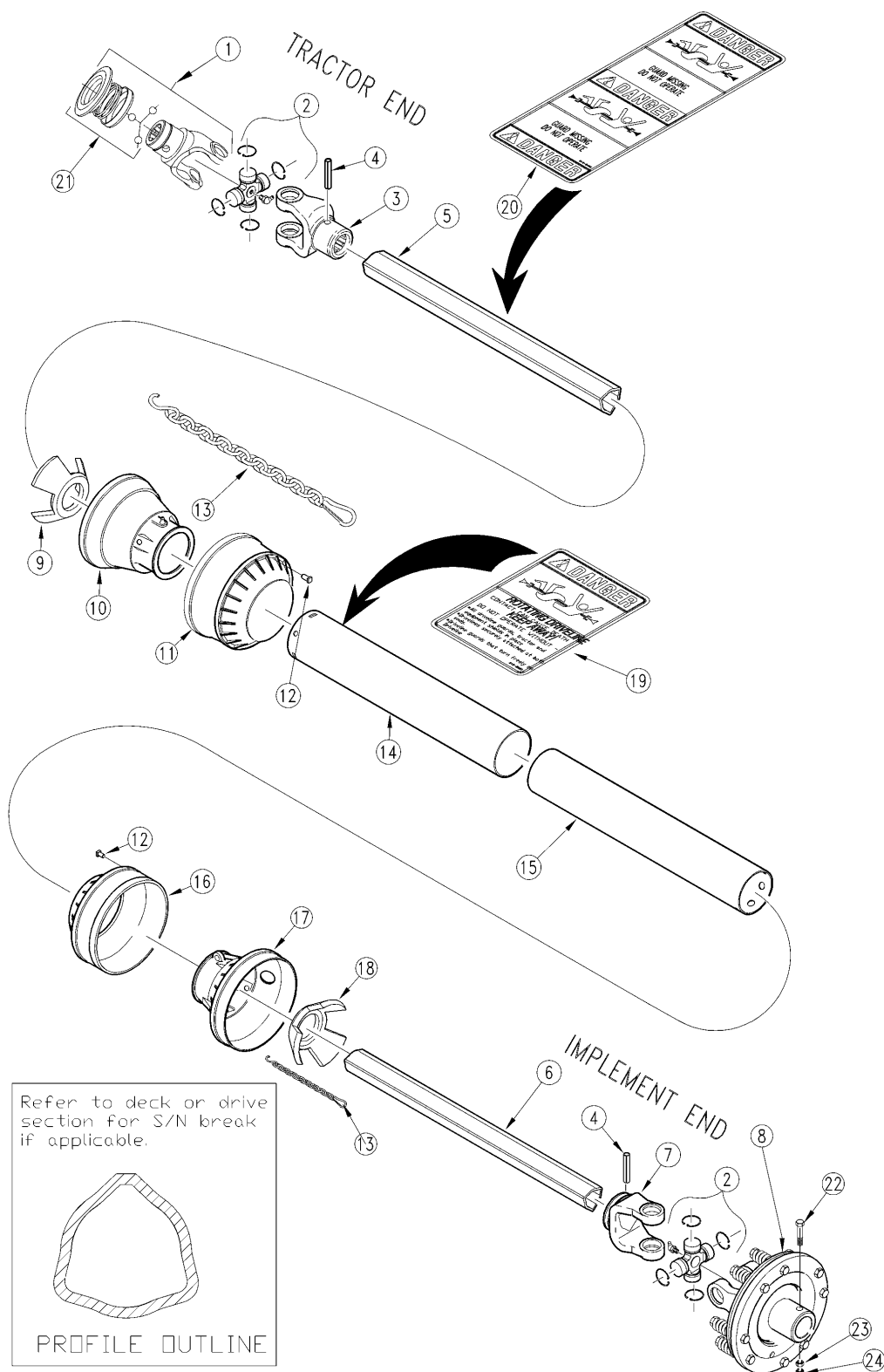
Driveline Slip Clutch (1344014) Eurocardan

Applies to RCR1660, RCR1672

Ref	Part No.	Part Description	Comments	Revision
	dwg15203	Drawing Image Number		
	1344014	EC TORQ LMTR 2 FRICTION DISC		
1.	1215012	EC CLUTCH SPRING		
2.	1704014	EC FLANGE WITH YOKE		
3.	1705009	EC CLUTCH BUSHING		
4.	1805010	EC FRICTION DISK		
5.	1704015	EC HUB WITH FLANGE		
6.	1135008	EC INNER DISK		
7.	1135007	EC PRESSURE DISK		
8.	6691080	EC COMPLETE BOLT		

Driveline Slip Clutch (826-022C) Eurocardan

Applies to RCR1660



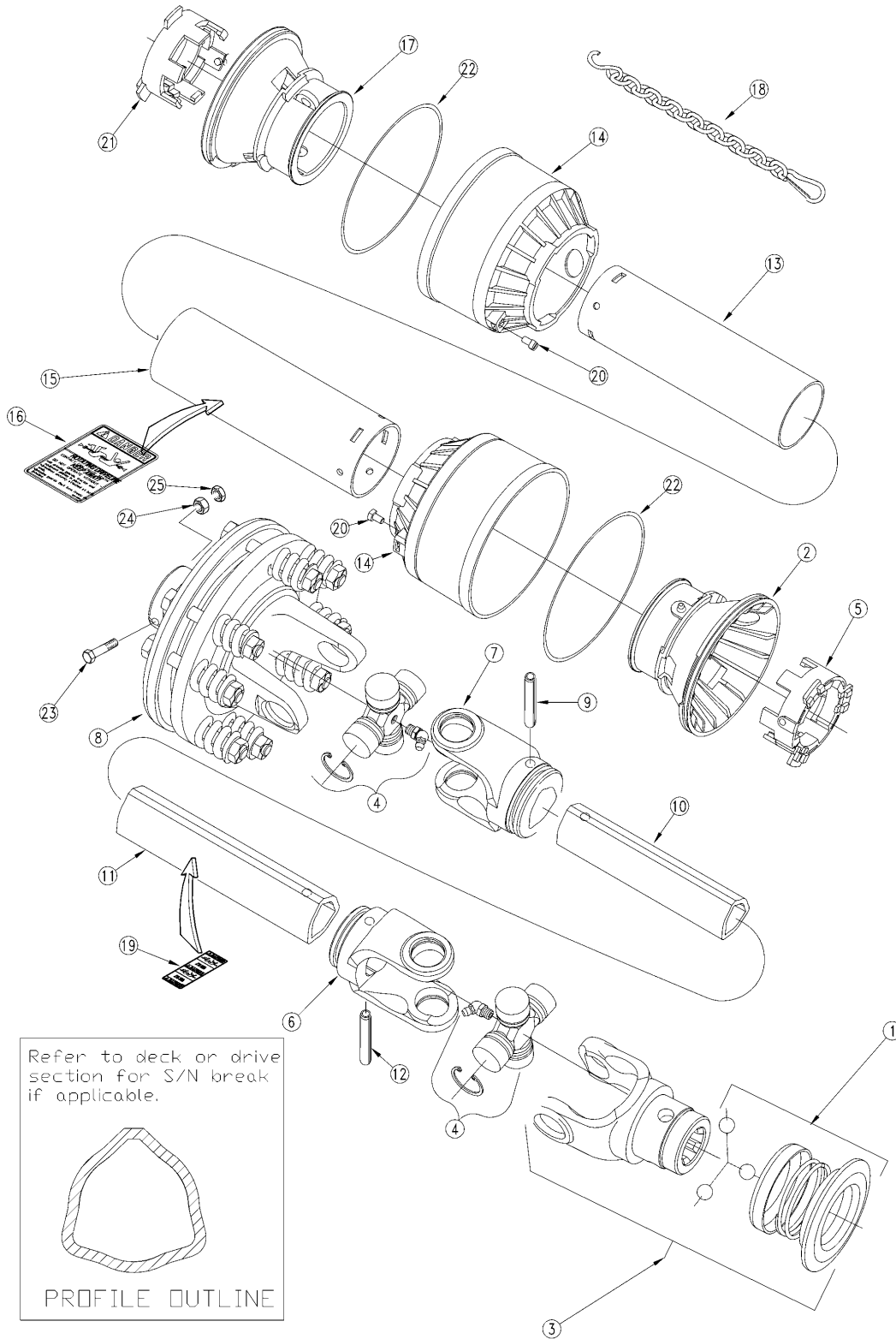
15054

Driveline Slip Clutch (826-022C) Eurocardan**Applies to RCR1660**

Ref	Part No.	Part Description	Comments	Revision
	dwg15054	Drawing Image Number		
	826-022C	DRIVELINE 2300 X 38 W/CLUTCH		
1.	1014012	EC YOKE ASSEMBLY		
1.	1024010	REPLACE BY 1014012		
2.	1004020	EC CROSS ASSEMBLY		
3.	1704027	EC OUTER TUBE YOKE		
4.	6330865	EC 8X65-DIN-1481 O/TUBE R/PIN		
5.	1524082	EC OUTER TUBE (1524085) 820MM		
6.	1525082	EC INNER TUBE		
7.	1704029	EC INNER TUBE YOKE		
8.	1344014	EC TORQ LMTR 2 FRICTION DISC		
9.	1784210	EC TUBE BEARING		
10.	1884201	EC OUTER TUBE RIGID CONE		
11.	1884203	EC SOFT CONE		
12.	1784212	EC PIN STOP ROTATION		
13.	1006065	EC ANTIROTATION CHAIN		
14.	1873074	EC OUTER TUBE		
15.	1872074	EC INNER TUBE		
16.	1884204	EC SOFT CONE		
17.	1884202	EC INNER TUBE RIGID CONE		
18.	1784211	EC TUBE BEARING		
19.	818-552C	DECAL DANGER PTO DRIVELINE		
20.	818-540C	DECAL DANGER GUARD MISS PTO		
21.	1581038	EC COMPLETE PUSH-PIN KIT		
22.	802-265C	HHCS 1/2-13X3 1/2 GR8		
23.	803-020C	NUT HEX 1/2-13 PLT		
24.	803-036C	NUT HEX JAM 1/2-13 PLT		

Driveline Slip Clutch (826-344C) Eurocardan

Applies to RCR1672



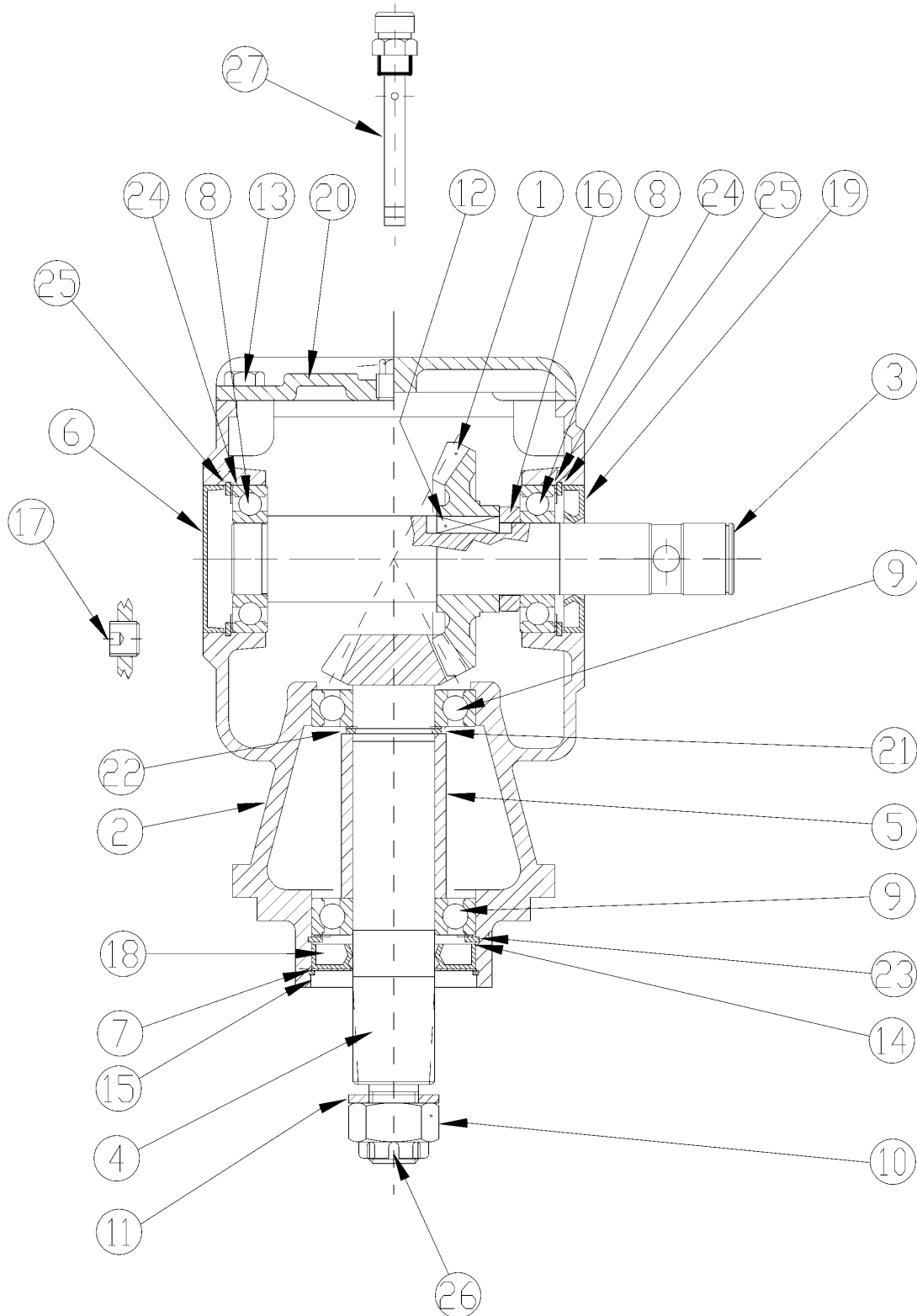
19792

Driveline Slip Clutch (826-344C) Eurocardan**Applies to RCR1672**

Ref	Part No.	Part Description	Comments	Revision
	dwg19792	Drawing Image Number		
	826-344C	PTO SLIP CLUTCH CAT3 X 43		
1.	1004225	EC PULL COLLAR KIT		
2.	1884201	EC OUTER TUBE RIGID CONE		
3.	1014012	EC YOKE ASSEMBLY (TRACT. END)		
4.	1004020	EC CROSS ASSEMBLY		
5.	1784210	EC TUBE BEARING		
6.	1704027	EC OUTER TUBE YOKE		
7.	1704029	EC INNER TUBE YOKE		
8.	1344014	EC TORQ LMTR 2 FRICTION DISC		
9.	6330855	EC 8X55-DIN-1481 O/TUBE R/PIN		
10.	1525095	EC 950MM INNER STOCK TUBE		
11.	1524095	EC 950MM OUT. STOCK LENGTH TB.		
12.	6330860	EC 08X60 1485DIN ROLL PIN		
13.	1872087	EC INNER TUBE 870MM		
14.	1884203	EC SOFT CONE		
15.	1873087	EC OUTER SHIELD TUBE 870MM		
16.	818-552C	DECAL DANGER PTO DRIVELINE		
17.	1884202	EC INNER TUBE RIGID CONE		
18.	044321	DRIVELINE SHIELD SAFETY CHAIN		
19.	818-540C	DECAL DANGER GUARD MISS PTO		
20.	1784212	EC PIN STOP ROTATION		
21.	1784211	EC TUBE BEARING		
22.	1213233	EC STIFFENING RING		
23.	802-265C	HHCS 1/2-13X3 1/2 GR8	Not Included W/Driveline	
24.	803-020C	NUT HEX 1/2-13 PLT	Not Included W/Driveline	
25.	803-036C	NUT HEX JAM 1/2-13 PLT	Not Included W/Driveline	

Comer Gearbox (826-384C) (S/N 377687+)

Applies to RCR1672



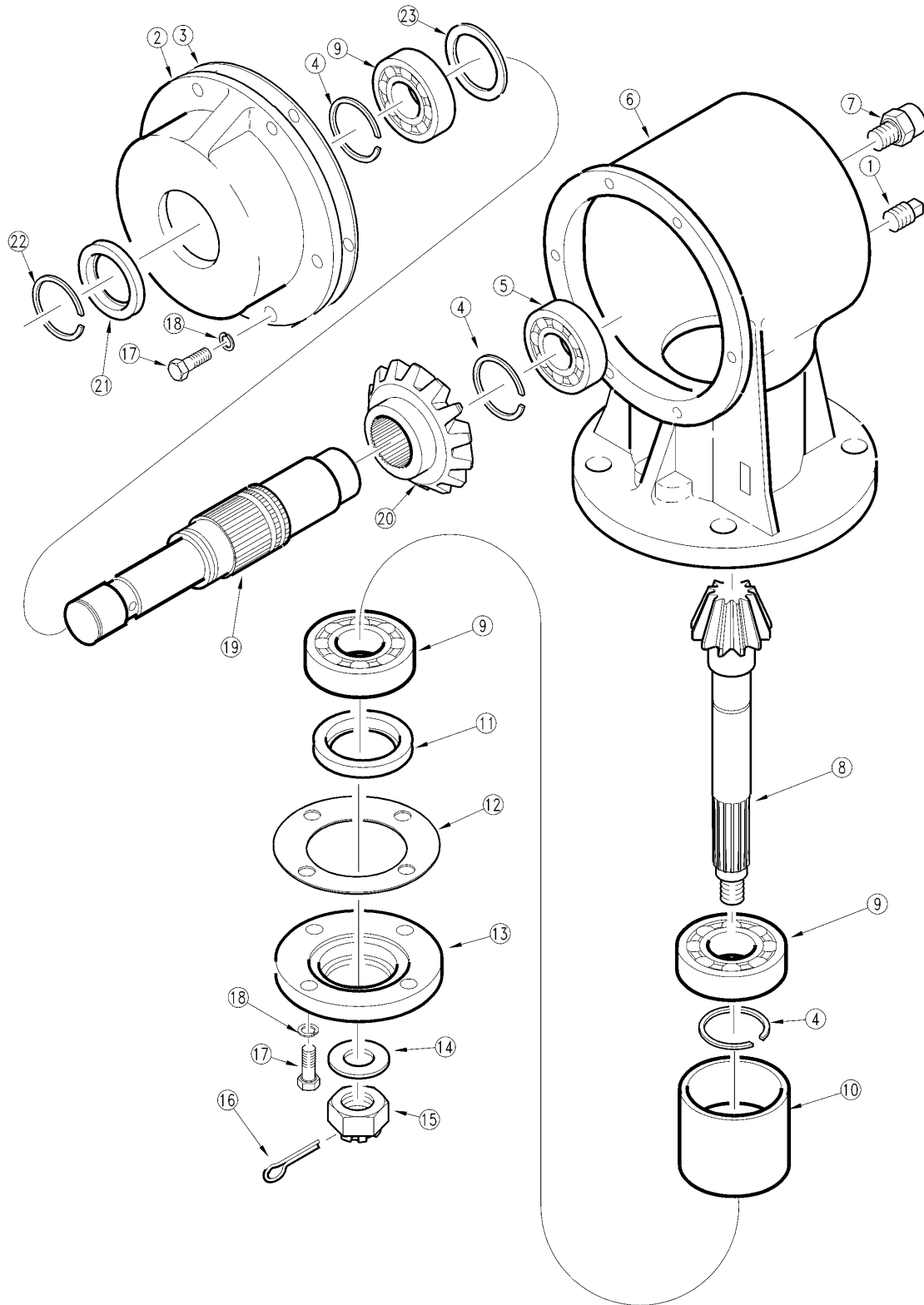
21449

Comer Gearbox (826-384C) (S/N 377687+)**Applies to RCR1672**

Ref	Part No.	Part Description	Comments	Revision
	dwg21449	Drawing Image Number		
	826-384C	GEARBOX RC16 1.38 RD.1:1.47 STD.		
1.	0.131.5000.00	CO CROWN GEAR Z22 M5		
2.	0.209.0300.00	CO CASTING		
3.	0.209.2000.00	CO INPUT SHAFT 1.38 SMOOTH		
4.	0.135.6201.00	CO PINION Z15 M5		
5.	0.135.7105.00	CO SPACER		
6.	8.7.0.00744	CO CAP 72 X 10		
7.	1.135.7100.00	CO WASHER PROTECTIVE		
8.	822-166C	BEARING BALL 6207		
9.	822-188C	BALL BEARING 6208		
10.	8.2.2.00515	CO NUT, CASTLE M24 X 2		
11.	8.3.2.00409	CO FLAT WASHER 25 X 44 X 4		
12.	8.4.1.00993	CO PARALLEL KEY B 10 X 8 X 30		
13.	8.1.1.00501	CO BOLT M8X22 HHB		
14.	8.5.2.00030	CO SNAP RING 80 UNI 7437		
15.	8.5.3.00955	CO SNAP RING SB 81		
16.	0.209.7100.00	CO SPACER		
17.	8.6.6.00201	CO PLUG 3/8 GAS		
18.	8.7.1.00748	CO DOUBLE LIP SEAL 40X80X12		
19.	8.7.3.00055	CO OIL SEAL 35 X 72 X 10		
20.	0.209.1300.00	CO COVER		
21.	A244.501	CO SHIM 40.3 X 51.5		
22.	8.5.1.00680	CO SNAP RING 40 UNI 7436		
23.	0.267.7500.00	CO SHIM 79.9		
24.	A.248.500	COMER SHIM KIT 71.7		
25.	8.5.2.00131	CO SNAP RING INT 72 UN17437		
26.	8.4.7.00516	CO COTTER PIN B5 X 50		
27.	0.209.7101.00	CO 3/8 GAS OIL LEVEL BREATHER		

Gearbox (826-026C) OMNI (S/N 377868-)

Applies to RCR1660



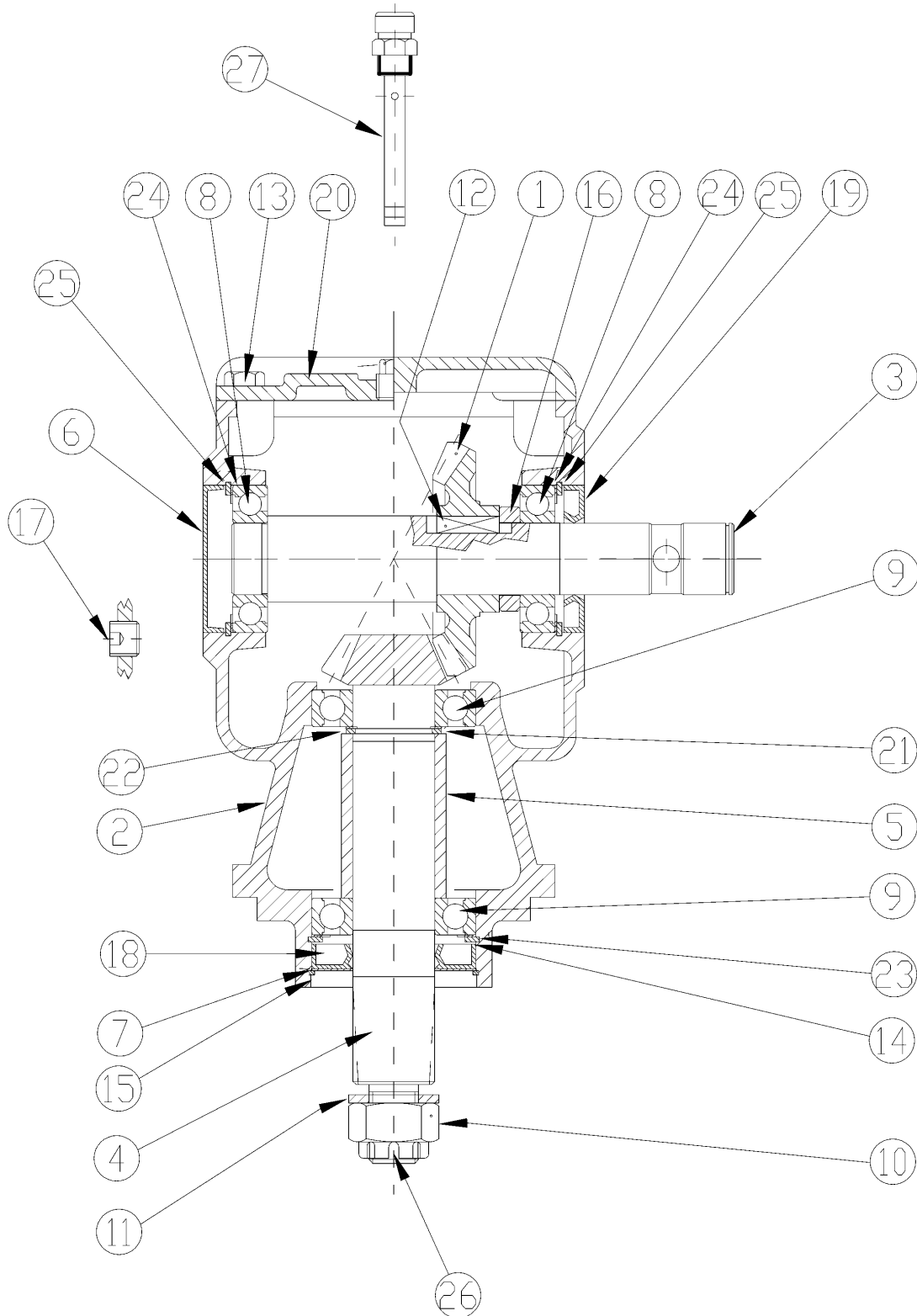
14152

Gearbox (826-026C) OMNI (S/N 377868-)**Applies to RCR1660**

Ref	Part No.	Part Description	Comments	Revision
	dwg14152	Drawing Image Number		
	826-026C	GEARBOX 30HP 1:1.93 SPEED-UP		
1.	140017	OMNI PLUG PIPE SQ HEAD 1/8"		
2.	020161	OMNI CAP INPUT W/MTG. HOLES		Rev. 2
2.	020002	OMNI INPUT CAP		Rev 1; Use up stock
3.	070133	OMNI GASKET, INPUT CAP .10mm	Number of gaskets needed varies	Rev. 2
3.	070132	OMNI GASKET, INPUT CAP .15mm	Number of gaskets needed varies	Rev. 2
3.	070131	OMNI GASKET, INPUT CAP .40mm	Number of gaskets needed varies	Rev. 2
3.	070002	OMNI INPUT GASKET		Rev 1; Use up stock
4.	200000	OMNI RETAINING RING		
5.	822-166C	BEARING BALL 6207		Rev. 2
5.	050006	RPBY 822-166C		Rev 1; Use up stock
6.	010001	OMNI HOUSING		
7.	140033	OMNI PLUG VENT 1/2-14 NPTF		Rev. 2
7.	140000	OMNI PIPE PLUG 1/2' SQ HEAD		Rev 1; Use up stock
8.	030037	OMNI OUTPUT PIN 4' RC 15T		
9.	822-188C	BALL BEARING 6208		Rev. 2
9.	050007	RPBY 822-188C		Rev 1; Use up stock
10.	090000	OMNI SPACER		
11.	060061	OMNI OUTPUT SEAL TRIPLE LIP		Rev. 2
11.	060003	RPBY 060061		Rev 1; Use up stock
12.	070136	OMNI GASKET, OUTPUT CAP .10mm	Number of gaskets needed varies	Rev. 2
12.	070135	OMNI GASKET, OUTPUT CAP .15mm	Number of gaskets needed varies	Rev. 2
12.	070134	OMNI GASKET, OUTPUT CAP .40mm	Number of gaskets needed varies	Rev. 2
12.	070001	OMNI OUTPUT GASKET		Rev 1; Use up stock
13.	020003	OMNI OUTPUT CAP		
14.	804-070C	FLAT WASHER 1" SPECIAL		
15.	803-095C	NUT HEX SLOTTED 1-14		
16.	805-017C	PIN COTTER 3/16 X 1 3/4 PLT		
17.	802-017C	HHCS 3/8-16X1 GR5		
18.	804-013C	WASHER LOCK SPRING 3/8 PLT		
19.	040040	OMNI INPUT SHAFT 4' RC		
20.	030036	OMNI INPUT GEAR 4' RC 29T		
21.	060060	OMNI INPUT SEAL TRIPLE LIP		Rev. 2
21.	060002	RPBY 060060		Rev 1; Use up stock
22.	200001	OMNI RETAINING RING		
23.	200040	OMNI RETAINING RING		

Gearbox (826-383C) Comer (S/N 377869+)

Applies to RCR1660



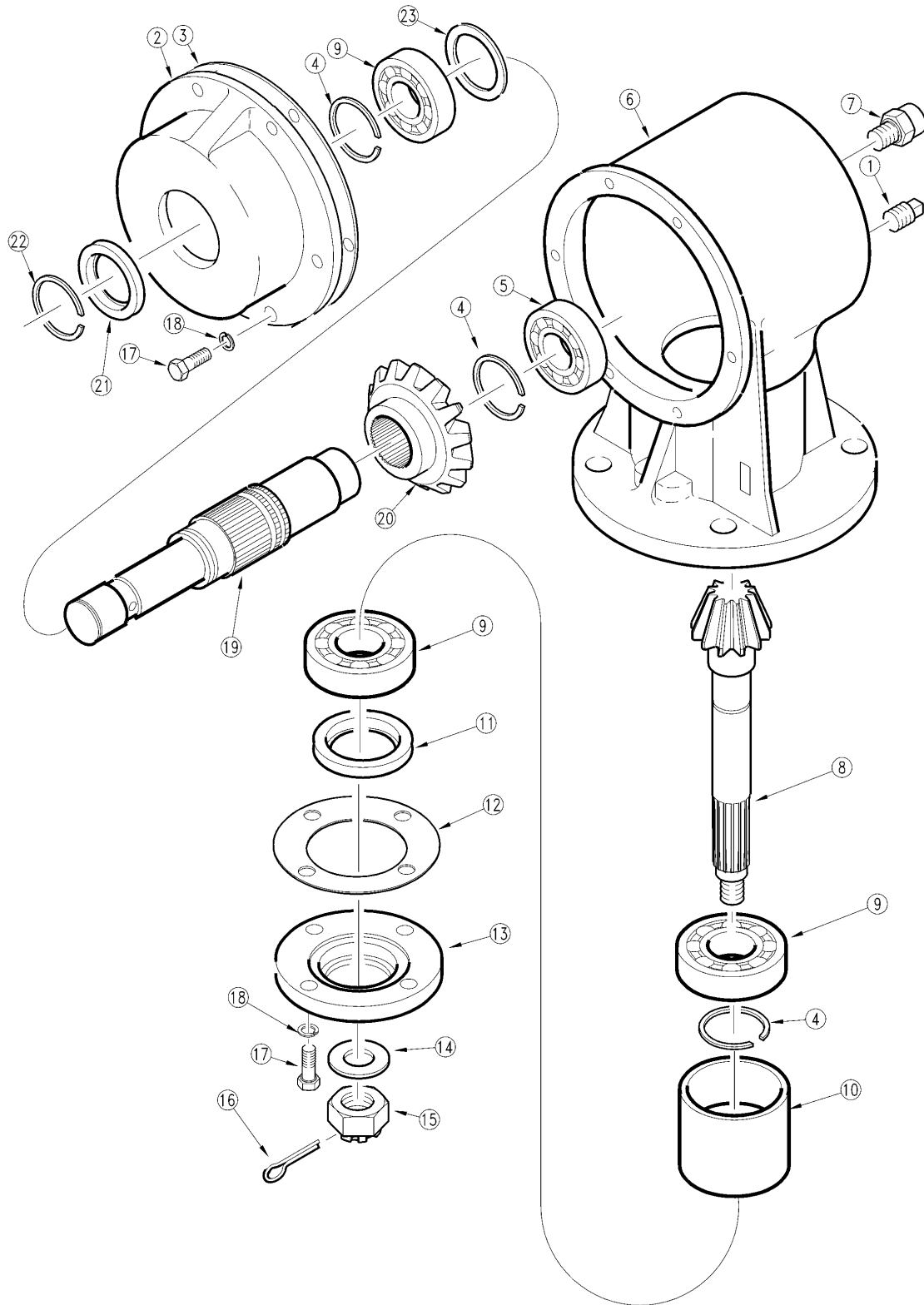
21448

Gearbox (826-383C) Comer (S/N 377869+)**Applies to RCR1660**

Ref	Part No.	Part Description	Comments	Revision
	dwg21448	Drawing Image Number		
	826-383C	GBOX RC16 1.38 RD.1:1.93 STD.		
	*	*		
1.	0.135.5000.00	CO GEAR Z23 M5		
2.	0.209.0300.00	CO CASTING		
3.	0.209.2000.00	CO INPUT SHAFT 1.38 SMOOTH		
4.	0.135.6008.00	CO PINION Z12 M5		
5.	0.135.7105.00	CO SPACER		
6.	8.7.0.00744	CO CAP 72 X 10		
7.	1.135.7100.00	CO WASHER PROTECTIVE		
8.	822-166C	BEARING BALL 6207		
9.	822-188C	BALL BEARING 6208		
10.	8.2.2.00515	CO NUT, CASTLE M24 X 2		
11.	8.3.2.00409	CO FLAT WASHER 25 X 44 X 4		
12.	8.4.1.00993	CO PARALLEL KEY B 10 X 8 X 30		
13.	8.1.1.00501	CO BOLT M8X22 HHB		
14.	8.5.2.00030	CO SNAP RING 80 UNI 7437		
15.	8.5.3.00955	CO SNAP RING SB 81		
16.	0.209.7100.00	CO SPACER		
17.	8.6.6.00201	CO PLUG 3/8 GAS		
18.	8.7.1.00748	CO DOUBLE LIP SEAL 40X80X12		
19.	8.7.3.00055	CO OIL SEAL 35 X 72 X 10		
20.	0.209.1300.00	CO COVER		
21.	A244.501	CO SHIM 40.3 X 51.5 826-067C		
22.	8.5.1.00680	CO SNAP RING 40 UNI 7436		
23.	0.267.7500.00	CO SHIM 79.9		
24.	A.248.500	COMER SHIM KIT 71.7		
25.	8.5.2.00131	CO SNAP RING INT 72 UN17437		
26.	8.4.7.00516	CO COTTER PIN B5 X 50		
27.	0.209.7101.00	CO 3/8 GAS OIL LEVEL BREATHER		

Gearbox 826-018C (S/N 377686-) OMNI

Applies to RCR1672



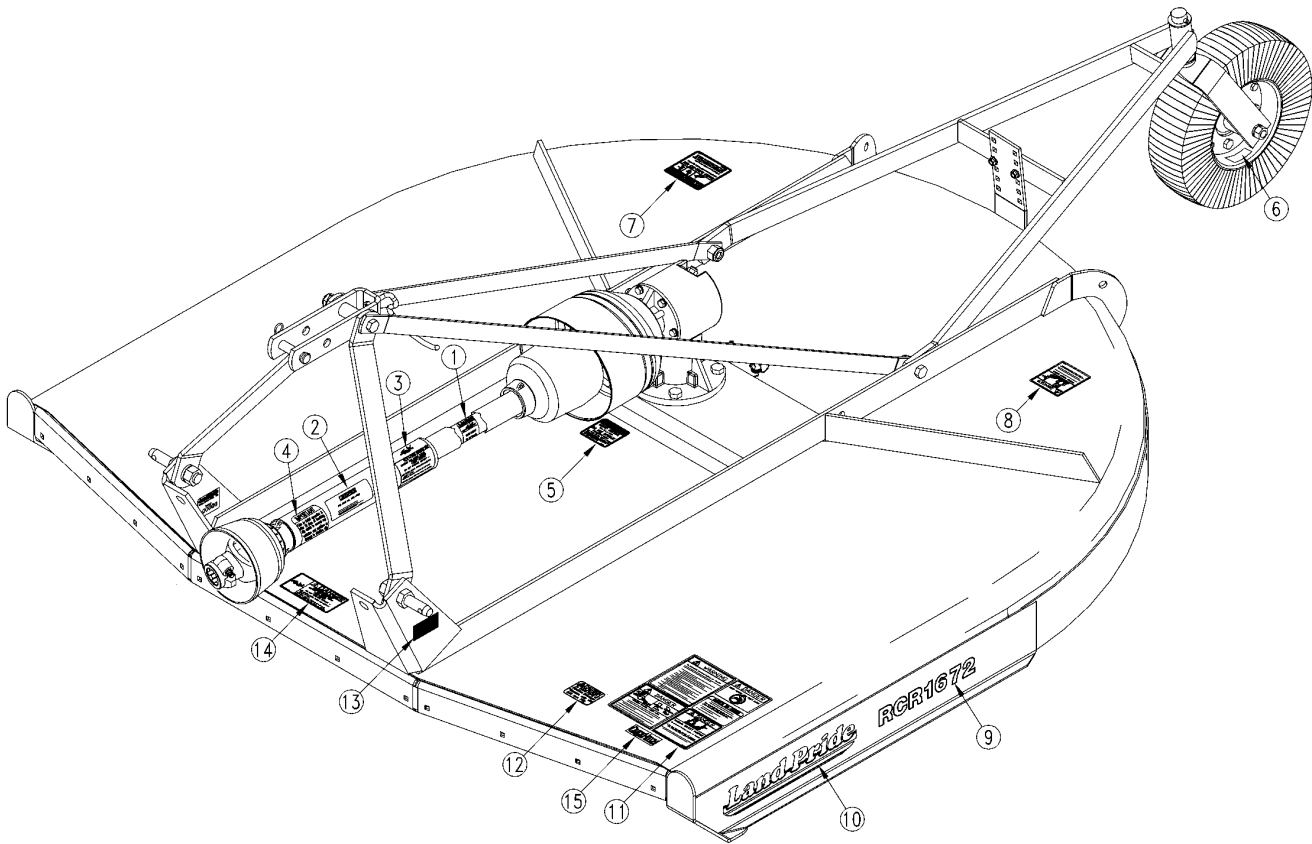
14152

Gearbox 826-018C (S/N 377686-) OMNI**Applies to RCR1672**

Ref	Part No.	Part Description	Comments	Revision
	dwg141152	Drawing Image Number		
	826-018C	GEARBOX 40HP 1:1.462 SPEEDUP		
1.	140017	OMNI PLUG PIPE SQ HEAD 1/8"		
2.	020161	OMNI CAP INPUT W/MTG. HOLES		Rev. 2
2.	020002	OMNI INPUT CAP		Rev 1; Use up stock
3.	070133	OMNI GASKET, INPUT CAP .10mm	Number of gaskets needed varies	Rev. 2
3.	070132	OMNI GASKET, INPUT CAP .15mm	Number of gaskets needed varies	Rev. 2
3.	070131	OMNI GASKET, INPUT CAP .40mm	Number of gaskets needed varies	Rev. 2
3.	070002	OMNI INPUT GASKET		Rev 1; Use up stock
4.	200000	OMNI RETAINING RING		
5.	822-166C	BEARING BALL 6207		Rev. 2
5.	050006	RPBY 822-166C		Rev 1; Use up stock
6.	010001	OMNI HOUSING		
7.	140033	OMNI PLUG VENT 1/2-14 NPTF		Rev. 2
7.	140000	OMNI PIPE PLUG 1/2' SQ HEAD		Rev 1; Use up stock
8.	030002	OMNI OUTPUT PIN 5&6' RC 15T		
9.	822-188C	BALL BEARING 6208		Rev. 2
9.	050007	RPBY 822-188C		Rev 1; Use up stock
10.	090000	OMNI SPACER		
11.	060061	OMNI OUTPUT SEAL TRIPLE LIP		Rev. 2
11.	060003	RPBY 060061		Rev 1; Use up stock
12.	070136	OMNI GASKET, OUTPUT CAP .10mm	Number of gaskets needed varies	Rev. 2
12.	070135	OMNI GASKET, OUTPUT CAP .15mm	Number of gaskets needed varies	Rev. 2
12.	070134	OMNI GASKET, OUTPUT CAP .40mm	Number of gaskets needed varies	Rev. 2
12.	070001	OMNI OUTPUT GASKET		Rev 1; Use up stock
13.	020003	OMNI OUTPUT CAP		
14.	804-070C	FLAT WASHER 1" SPECIAL		
15.	803-095C	NUT HEX SLOTTED 1-14		
16.	805-017C	PIN COTTER 3/16 X 1 3/4 PLT		
17.	802-017C	HHCS 3/8-16X1 GR5		
18.	804-013C	WASHER LOCK SPRING 3/8 PLT		
19.	040040	OMNI INPUT SHAFT 4' RC		
20.	030003	OMNI INPUT GEAR 5&6' RC 22T		
21.	060060	OMNI INPUT SEAL TRIPLE LIP		Rev. 2
21.	060002	RPBY 060060		Rev 1; Use up stock
22.	200001	OMNI RETAINING RING		
23.	200040	OMNI RETAINING RING		

Label Placement

Applies to RCR1660, RCR1672



19772

Label Placement**Applies to RCR1660, RCR1672**

Ref	Part No.	Part Description	Comments	Revision
	dwg19772	Drawing Image Number		
1.	818-540C	DECAL DANGER GUARD MISS PTO		
2.	838-413C	DECAL PTO 1672 RCR SLIP		
2.	818-175C	DECAL PTO 15/16 SERIES RC SLIP		
2.	818-414C	DECAL PTO 1672 RCR S/B		
2.	818-173C	DECAL PTO 15/16 SERIES RC S/B		
3.	818-552C	DECAL DANGER PTO DRIVELINE		
4.	818-680C	DECAL IMPORTANT - SLIP CLUTCH	Only on Slip Clutch Driveline	
5.	818-187C	DECAL DANGER DRIVELINE SHIELD		
6.	818-681C	DECAL NOTICE - 20 MPH MAX		
7.	818-564C	DECAL DANGER ROTATING BLADES		
8.	818-556C	DECAL DANGER THROWN OBJ CUTTER		
9.	838-407C	DECAL RCR1660 - BROWN		
9.	838-408C	DECAL RCR1672 - BROWN		
10.	818-901C	DECAL LANDPRIDE 16" - BROWN		
11.	818-830C	DECAL SAFETY COMBO SUNWEST		
12.	818-130C	DECAL CAUTION 540 RPM		
13.	818-190C	DECAL FLAG		
14.	818-142C	DECAL DANGER PTO DRIVELINE		
15.	838-517C	DECAL QUICK HITCH SYSTEM		



Part Number Index

The Part Number Index is a numeric index of all part numbers included in this manual. The index shows what page(s) the part is used on.

Part Number	Page	Part Number	Page	Part Number	Page	Part Number	Page
*	31	1873087	19, 25	318-337D	13	805-017C	7, 29, 33
0.131.5000.00	27	1884201	17, 19, 23, 25	318-891D	13	805-111C	8
0.135.5000.00	31	1884202	17, 19, 23, 25	326-039A	8	805-142C	7
0.135.6008.00	31	1884203	17, 19, 23, 25	326-040A	8	805-143C	7
0.135.6201.00	27	1884204	23	326-062D	7	805-177C	11
0.135.7105.00	27, 31	200000	29, 33	326-063D	15	814-058C	11
0.209.0300.00	27, 31	200001	29, 33	326-064D	15	814-065C	11
0.209.1300.00	27, 31	200040	29, 33	326-065D	15	816-309C	15
0.209.2000.00	27, 31	312-008S	11	326-066D	13	816-310C	15
0.209.7100.00	27, 31	312-020D	11	326-067D	13	816-371C	15
0.209.7101.00	27, 31	312-021D	11	326-068D	13	816-372C	15
0.267.7500.00	27, 31	312-075D	8	326-075D	7	816-381C	15
001S1	11	312-082D	8	326-080D	13	818-130C	35
010001	29, 33	312-089D	8	326-081D	13	818-142C	35
020002	29, 33	312-552A	13	326-083D	15	818-173C	35
020003	29, 33	312-553A	11	326-084D	15	818-175C	35
020161	29, 33	312-554A	11	38/11	7	818-187C	35
030002	33	312-557S	7	6330855	19, 25	818-190C	35
030003	33	312-559H	7	6330860	19, 25	818-414C	35
030036	29	312-560H	7	6330865	17, 23	818-540C	17, 19, 23, 25, 35
030037	29	312-561H	11	6691080	21	818-552C	17, 19, 23, 25, 35
040040	29, 33	312-565K	13	8.1.1.00501	27, 31	818-556C	35
044321	17, 19, 25	312-566K	13	8.2.2.00515	7, 27, 31	818-564C	35
050006	29, 33	312-567K	13	8.3.2.00409	27, 31	818-680C	35
050007	29, 33	312-576A	13	8.4.1.00993	27, 31	818-681C	35
060002	29, 33	312-579S	7	8.4.7.00516	27, 31	818-830C	35
060003	29, 33	312-592K	13	8.5.1.00680	27, 31	818-901C	35
060060	29, 33	312-593K	13	8.5.2.00030	27, 31	820-198C	7
060061	29, 33	312-594K	13	8.5.2.00131	27, 31	820-199C	7
070001	29, 33	312-609D	7	8.5.3.00955	27, 31	820-212C	7
070002	29, 33	312-610D	7	8.6.6.00201	27, 31	820-213C	7
070131	29, 33	312-651A	15	8.7.0.00744	27, 31	822-166C	27, 29, 31, 33
070132	29, 33	312-652A	15	8.7.1.00748	27, 31	822-188C	27, 29, 31, 33
070133	29, 33	312-711H	7	8.7.3.00055	27, 31	826-018C	7, 33
070134	29, 33	312-712A	15	800-001C	11	826-020C	7, 17
070135	29, 33	312-713A	13	800-079C	7	826-022C	7, 23
070136	29, 33	312-714K	15	800-080C	11	826-026C	7, 29
090000	29, 33	312-715K	15	800-320C	7	826-240C	7
1.135.7100.00	27, 31	312-716K	15	802-007C	7	826-343C	8, 19
1004020	17, 19, 23, 25	312-717K	13	802-015C	13	826-344C	7, 25
1004225	17, 19, 25	312-718K	13	802-017C	29, 33	826-383C	7, 31
1006065	23	312-719K	13	802-034C	11	826-384C	7, 27
1014012	17, 19, 23, 25	312-726H	7	802-055C	7	838-407C	35
1024010	23	312-727A	13	802-062C	7	838-408C	35
1074033	17, 19	312-729K	13	802-155C	7, 15	838-413C	35
1135007	21	312-730K	13	802-262C	11	838-517C	35
1135008	21	312-731A	15	802-264C	8, 17, 19	890-400C	13
1213233	19, 25	312-733K	15	802-265C	7, 23, 25	890-485C	13
1215012	21	312-734K	15	802-277C	7	A.248.500	27, 31
1344014	21, 23, 25	312-808D	8	802-453C	15	A244.501	27, 31
140000	29, 33	312-815H	7	802-647C	15	dwg13206	17
140017	29, 33	312-848D	7	803-020C	7, 11, 17, 19, 23, 25	dwg141152	33
140033	29, 33	312-850D	7	803-021C	11	dwg14152	29
1524082	17, 23	312-851D	7	803-036C	7, 17, 19, 23, 25	dwg15054	23
1524095	19, 25	312-863D	13	803-095C	7, 29, 33	dwg15203	21
1525082	17, 23	312-864D	13	803-148C	8	dwg16339	11
1525095	19, 25	312-865D	13	803-170C	7	dwg19767	13
1581038	23	312-883D	13	803-198C	7, 13, 15	dwg19771	7
1704014	21	312-884D	13	803-231C	8	dwg19772	35
1704015	21	312-885D	13	803-271C	7	dwg19791	19
1704027	17, 19, 23, 25	312-886D	8	804-009C	7	dwg19792	25
1704029	17, 19, 23, 25	312-890D	13	804-010C	7	dwg20646	15
1705009	21	312-891D	13	804-012C	8	dwg21448	31
1784210	17, 19, 23, 25	312-948D	15	804-013C	8, 29, 33	dwg21449	27
1784211	17, 19, 23, 25	312-949D	15	804-015C	11		
1784212	17, 19, 23, 25	312-950D	15	804-022C	8, 11		
1805010	21	312-952D	15	804-062C	11		
1872074	17, 23	312-953D	15	804-070C	29, 33		
1872087	19, 25	318-108D	13	804-147C	7		
1873074	17, 23	318-142D	13				

This Page Intentionally Left Blank



Great Plains Manufacturing, Inc.

Corporate Office: P.O. Box 5060
Salina, Kansas 67402-5060 USA

www.landpride.com
