

AM / FM CLOCK RADIO
with TELEPHONE



OWNER'S MANUAL

GP816



Visit our web site at www.emersonradio.com





WARNING

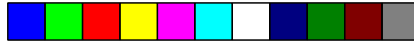
TO PREVENT FIRE OR SHOCK HAZARD, DO NOT USE THIS PLUG WITH AN EXTENSION CORD, RECEPTACLE OR OTHER OUTLET UNLESS THE BLADES CAN BE FULLY INSERTED TO PREVENT BLADE EXPOSURE. TO PREVENT FIRE OR SHOCK HAZARD, DO NOT EXPOSE THIS APPLIANCE TO RAIN OR MOISTURE.

 <p>The lightning flash with arrow-head symbol, within an equilateral triangle is intended to alert the user to the presence of uninsulated 'dangerous voltage' within the product's enclosure that may be of sufficient magnitude to constitute a risk of electric shock to persons.</p>	<p style="text-align: center;">WARNING</p> <p style="text-align: center;">RISK OF ELECTRIC SHOCK DO NOT OPEN</p> <p>CAUTION: TO REDUCE THE RISK OF ELECTRIC SHOCK DO NOT REMOVE COVER (OR BACK), NO USER SERVICEABLE PARTS INSIDE REFER SERVICING TO QUALIFIED SERVICE PERSONNEL.</p>	 <p>The exclamation point within an equilateral triangle is intended to alert the user to the presence of important operating and maintenance (servicing) instructions in the literature accompanying the appliance.</p>
--	--	---

IMPORTANT SAFETY INSTRUCTIONS

When using your telephone equipment, basic safety precautions should always be followed to reduce the risk of fire, electric shock and injury to persons, including the following:

- 1.) Read these instructions.
- 2.) Keep these instructions.
- 3.) Heed all warnings.
- 4.) Follow all instructions.
- 5.) Do not use this product near water, for example, near a bath tub, wash bowl, kitchen sink, or laundry tub, in a wet basement, or near a swimming pool.
- 6.) Cleaning. Unplug this product from the wall outlet before cleaning. Do not use liquid cleaners or aerosol cleaners. Use a damp cloth for cleaning.
- 7.) Do not block any ventilation openings. Install in accordance with the manufacturer's instructions.
- 8.) Do not install near any heat sources such as radiators, heat registers, stoves, or other apparatus (including amplifiers) that produce heat.
- 9.) Do not defeat the safety purpose of the polarized or grounding-type plug. A polarized plug has two blades with one wider than the other. A grounding type plug has two blades and a third grounding prong. The wide blade or the third prong are provided for your safety. If the provided plug does not fit into your outlet, consult an electrician for replacement of the obsolete outlet.
- 10.) Protect the power cord from being walked on or pinched particularly at plugs, convenience receptacles, and the point where they exit from the apparatus.



- 11.) Only use attachments / accessories specified by the manufacturer.
- 12.) Unplug this apparatus during lightning storms or when unused for long periods of time.
- 13.) Refer all servicing to qualified service personnel. Servicing is required when the apparatus has been damaged in any way, such as power-supply cord or plug is damaged, liquid has been spilled or objects have fallen into the apparatus, the apparatus has been exposed to rain or moisture, does not operate normally, or has been dropped. When the product exhibits a distinct change in performance – this indicates a need for service.
- 14.) This appliance shall not be exposed to dripping or splashing water and no object filled with liquids such as vases shall be placed on the apparatus.
- 15.) Do not overload wall outlet. Use only power source as indicated.
- 16.) Use replacement parts as specified by the manufacturer.
- 17.) The product may be mounted to a wall only if recommended by the manufacturer.
- 18.) Upon completion of any service or repairs to this product, ask the service technician to perform safety checks.
- 19.) Avoid using a telephone (other than a cordless type) during an electrical storm. There may be a remote risk of electric shock from lightning.
- 20.) Do not use the telephone to report a gas leak in the vicinity of the leak.
- 21.) Power Lines – An outside antenna system should not be located in the vicinity of overhead power lines or other electric light or power circuits, or where it can fall into such power lines or circuits. When installing an outside antenna system, extreme care should be taken to keep from touching such power lines or circuits as contact with them might be fatal.
- 22.) Object and Liquid Entry – Never push objects of any kind into this product through openings as they may touch dangerous voltage points or short-out parts that could result in a fire or electric shock. Never spill liquid of any kind on the product.
- 23.) Power Sources – This product should be operated only from the type of power source indicated on the marking label. If you are not sure of the type of power supply to your home, consult your product dealer or local power company. For products intended to operate from battery power, or other sources, refer to the operating instruction.

SAVE THESE INSTRUCTIONS



IMPORTANT NOTES

- Avoid installing this unit in places exposed to direct sunlight or close to heat radiating appliances such as electric heaters, on top of other stereo equipment that radiates too much heat, places lacking ventilation or dusty areas, places subject to constant vibration and/or humid or moist areas.
- Operate controls and switches as described in the manual.
- Before turning on the power, make certain that the power cord is properly installed.
- When moving the set, be sure to first disconnect the power cord and remove cords connected to other equipment.
- Do not attempt to clean this unit with chemical solvents as this might damage the finish. Use a clean dry cloth.

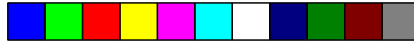
FCC INFORMATION

This equipment has been tested and found to comply with the limits for a Class B digital device, pursuant to Part 15 of the FCC Rules. These limits are designed to provide reasonable protection against harmful interference in a residential installation. This equipment generates, uses, and can radiate radio frequency energy and, if not installed and used in accordance with the instructions, may cause harmful interference to radio communications. However, there is no guarantee that interference will not occur in a particular installation. If this equipment does cause harmful interference to radio or television reception, which can be determined by turning the equipment off and on, the user is encouraged to try to correct the interference by one or more of the following measures:

- Re-orient or re-locate the receiving antenna.
- Increase the separation between the equipment and receiver.
- Connect the equipment into an outlet on a circuit different from that to which the receiver is connected.
- Consult the dealer or an experienced radio/TV technician for help.

This device complies with Part 15 of the FCC Rules. Operation is subject to the following two conditions:

- (1) This device may not cause harmful interference, and
- (2) This device must accept any interference received, including interference that may cause undesired operation.



FCC wants you to know

This equipment complied with part 68 of the FCC rules and ACTA technical requirements. On the bottom of the base of this equipment is a label that contains, among other information, the FCC Registration Number and Ringer Equivalence Number (REN) for this equipment. You must, upon request, provide this information to your telephone company.

The USOC number of the registration jack for the equipment is RJ11C.

The FCC compliant telephone cord and modular plug is provided with this equipment. This equipment is designed to be connected to the telephone network or premises wiring using a compatible modular jack which is TIA/EIA-IS-968 complaint.

If your telephone equipment caused harm to the telephone network, the telephone company may discontinue your service temporarily. If possible, they will notify you in advance. But, if advance notice isn't practical, you will be notified as soon as possible. You will be informed of your right to file a complaint with the FCC.

Your telephone company may make changes in its facilities, equipment, operations or procedures that could affect the proper functioning of your equipment. If they do, you will be notified in advance to give you an opportunity to maintain uninterrupted telephone service. If you experience trouble with this telephone equipment, the telephone company may ask that you disconnect this equipment from the network until the problem has been corrected or until you are sure that the equipment is not malfunctioning.

This equipment cannot be used on telephone company provided coin service. Connection to Party Line Service is subject to state tariffs.

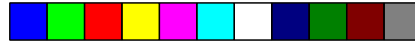
This equipment is hearing aid compatible.

Warnings:

- Any changes or modifications not expressly approved by the party responsible for compliance could void the user's authority to operate the equipment.
- When your telephone is not in use, make sure the handset is engaged into the base unit.
- If it is determined that your telephone is malfunctioning, the FCC required that it be disconnected from the modular outlet until the problem has been corrected.

Ringer Equivalence Number (REN)

The Ringer Equivalence Number is used to determine how many devices can be connected to your home telephone line. The REN of this unit is 0.8B. The total REN of all the devices connected to your line should not exceed 5.0. If you exceed this total then one or more of the devices may not ring when a call is received.



Thank you for purchasing the **Girlpower** AM/FM Clock Radio with Telephone from Emerson. This unique product has been designed to provide you with many years of exceptional performance with a minimum of care and maintenance.

Please review the contents of the instruction manual completely and carefully before operating your unit. All of the functions and operations of the unit are fully explained in the manual to enable you to gain the maximum benefit out of all the great product features.

The serial number of your unit can be found at bottom of cabinet. For future reference, we suggest that you record the serial number in the space provided below.

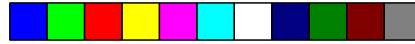
Model No. GP816

Serial Number: _____

PREPARATION FOR USE

UNPACKING AND SET UP

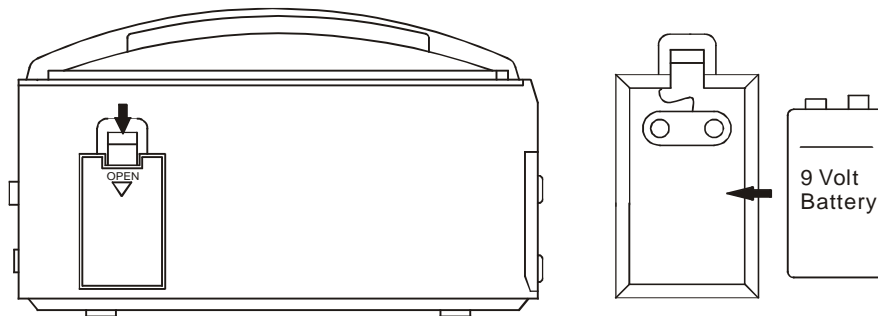
- This carton contains the clock radio, the telephone handset, a modular straight cord to connect the clock radio to your telephone wall jack, and a coiled cord to connect the handset to the clock radio. Be sure to carefully remove all of the components from the carton. We suggest you save the carton and packing materials if possible in case it ever becomes necessary to return your unit for service
- Remove any descriptive labels from the front or top of the cabinet. Do not remove any labels from the back or bottom of the cabinet.



Battery Back Up

This unit has a battery back up system that will maintain the time and alarm settings in the event of a temporary power interruption. The battery back up system requires one 9-Volt battery, not included. We suggest using only a well known brand of alkaline battery for longest life and best performance

The back up battery compartment is located on the back of the cabinet.



Press down on the tab to open and remove the battery door. Attach the 9V battery to the battery terminal strap (it can only be attached one way), insert the battery into the battery compartment, and replace the battery door.

If the power is interrupted the clock display will go off, but the back up battery will maintain both the time and the alarm settings in memory. When power is restored the display will come on again and the time and alarm settings will be correct.

Do not dispose of batteries in a fire. They may explode. Check with local codes for possible special disposal instructions.

Power Failure Indicator

If the power is interrupted and the battery is exhausted, or there is no battery in the compartment, the time and alarm settings will be lost. When power is restored the display will start flashing "12:00 AM". This is your indication that the time display is incorrect and needs to be reset.

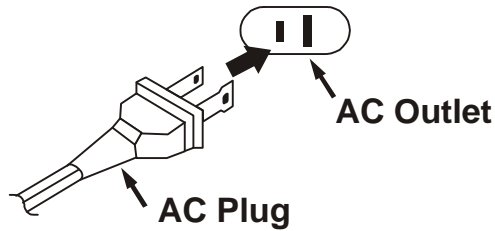
IMPORTANT:

After resetting the time display make sure that you also recheck and adjust the wake up time as well.



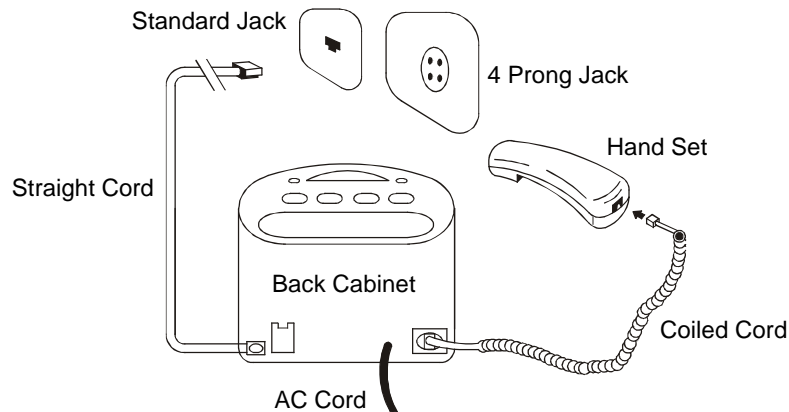
AC OPERATION

This product is designed to operate on normal 120V 60Hz AC only. Connecting this system to any other power supply could result in damage to the unit which is not covered by your warranty. You will note that this system is equipped with a polarized AC power plug having one blade wider than the other. This is a safety feature. If this plug does not fit into your existing AC outlet, do not try to defeat this safety feature by filing the wide blade to make it fit into your outlet. If this plug will not fit into your outlet, you probably have an outdated non-polarized AC outlet. You should have your outlet changed by a qualified licensed electrician.



Telephone Connections

Connect one end of the straight cord to the jack marked "TEL LINE" on the back cabinet, and the other end to your telephone wall jack. If your telephone wall jack is the older 4 pin type you will need to purchase a 4 pin to modular adapter plug, available at most electronics stores and home improvement centers.



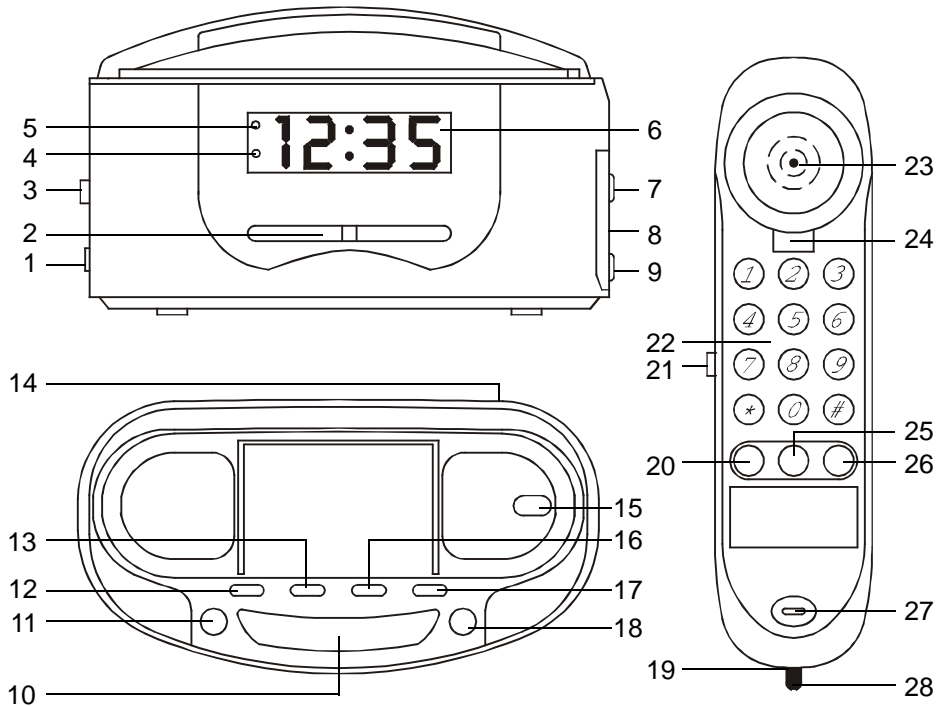
Connect one end of the coiled cord to the jack on the telephone handset and the other end to the jack on the back of the cabinet.

Placement

The unit must be placed in a location that is accessible to both a 120V 60Hz AC outlet and a telephone wall jack. If necessary you may purchase a longer telephone line cord wherever telephone accessories are sold.



LOCATION OF CONTROLS AND INDICATORS



- | | |
|--|--|
| 1.) DIMMER (HIGH/LOW) Switch. | 14.) Battery Compartment (Back of Unit). |
| 2.) AM/FM Dial Scale and Pointer. | 15.) Radio/Alarm Shut Off Switch. |
| 3.) ALARM Switch.
(OFF/RADIO/BUZZER) | 16.) HOUR Button. |
| 4.) ALARM Indicator. | 17.) MINUTE Button. |
| 5.) AM Indicator. | 18.) RADIO ON Button. |
| 6.) Clock Display. | 19.) Phone Line Cord Jack. |
| 7.) BAND (FM/AM) Switch. | 20.) RINGER (OFF/LO/HI) Switch. |
| 8.) TUNING Control. | 21.) VOL. (L/M/H) Switch. |
| 9.) VOLUME Control. | 22.) Keypad. |
| 10.) SNOOZE Button.
(SLEEP OFF/RADIO OFF) | 23.) Earpiece |
| 11.) SLEEP ON Button. | 24.) Hook Switch. |
| 12.) ALARM SET/RESET Button. | 25.) TONE/PULSE Switch. |
| 13.) CLOCK SET Button. | 26.) REDIAL Button. |
| | 27.) Mic. |
| | 28.) Phone Line Cord. |



OPERATING INSTRUCTIONS

TELEPHONE FUNCTIONS

Automatic Radio Muting

If you are listening to the radio when the telephone rings it is not necessary to shut off the radio manually. The Automatic Radio Muting circuit will shut the radio off automatically as soon as you pick up the telephone handset. When you replace the handset in the cradle the radio comes on again.

Telephone RINGER Switch

Set this switch to the "HI" or "LO" position to adjust the electronic ringer volume level. If this switch is set to the "OFF" position the telephone will not ring when an incoming call is received.

TONE/PULSE Selector

Set this switch to TONE or PULSE to match the type of dialing service provided by your local phone company. If you do not know what type service you have set the switch to TONE and try to make a call. If the call does not go through you probably have Pulse dialing service. In that case set the switch to the PULSE position.

Speaker Volume Control

Set this VOL. switch to L (Low), M (Medium), or H (High) to adjust the telephone earpiece volume to the most comfortable level.

Making A Call

Lift the handset and listen for a dial tone. If the radio was playing it will shut off automatically. Dial the number on the keypad as usual. When finished, return the handset to the cradle. The radio will turn on automatically if necessary.



Receiving A Call

Note:

The RINGER Switch must be in either the “HI” or “LO” position to receive a call.

When the phone rings lift the handset. The radio will shut off automatically. The radio will turn on again when the handset is returned to its cradle.

Last Number Redial

If you dial a number and get a busy signal it is not necessary to redial the entire number again. Just press the REDIAL button and the last number you called will be redialed automatically.

Note: If the telephone line cord is disconnected from the wall jack the redial memory will be erased after approximately one hour.

Hook Switch/Flash Button

The Hook Switch also functions as a Flash Button if you have Call Waiting service from your local phone company. If you are on a call and you hear the ‘click’ signal which indicates that another call is waiting, press the Hook Switch momentarily to access the second call. Press again to return to the original call.





CLOCK RADIO FUNCTIONS

Setting The Time Of Day

Note: The first time that the power cord is connected to the AC outlet the display will begin flashing "12:00 AM". This flashing display is your indication that the time is incorrect and needs to be reset. The display will stop flashing when you begin to adjust the time.

- 1.) Press and hold the CLOCK SET and HOUR buttons together to adjust the hours. Release the buttons when the display shows the correct hour.

Note: Be sure to observe the AM indicator to set the hour correctly for AM or PM. If the AM indicator is 'On', the hour displayed is AM. If the AM indicator is 'Off' the hour displayed is PM.

- 2.) Press and hold the CLOCK SET and MINUTE buttons together to adjust the minutes. Release the buttons when the display shows the correct time.

Setting The Wake Up Time

- 1.) Press and hold the ALARM SET/RESET and HOUR buttons together to set the correct wake up hour.

NOTE: Be sure to observe the AM indicator to set the hour correctly for AM or PM. If the AM indicator is 'On', the wake up hour displayed is AM. If the AM indicator is 'Off' the wake up hour displayed is PM.

- 2.) Press and hold the ALARM SET/RESET and MINUTE buttons together to adjust the wake up minutes. Release the buttons when the display shows the correct wake up time.

To check the Wake Up Time setting at any time simply press the ALARM SET/RESET button. The display will change from Time Of Day to Wake Up Time as long as the button is depressed.



LISTENING TO THE RADIO

Note: The telephone handset must be properly positioned in the cradle or the radio will not operate.

- 1.) Press the RADIO ON button.
- 2.) Set the BAND selector to AM or FM.
- 3.) Rotate the TUNING control to select the desired station.
- 4.) Adjust the VOLUME control as desired.
- 5.) When you are finished listening press the SNOOZE (RADIO OFF) button.

Antenna Information

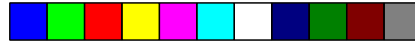
FM

The FM antenna is built in to the AC power cord. For best FM reception the AC cord must be extended to its full length.

AM

The AM bar antenna is inside the radio cabinet. If AM reception is weak try turning the cabinet slightly until reception improves. In extreme reception conditions you may have to move the radio to a different location.





ALARM OPERATION

Note: Press the ALARM SET/RESET button to confirm the wake up time is set correctly. Adjust if necessary.

Wake To Music

- 1.) Turn the radio 'On' and select the station and volume level for wake up, then turn the radio 'Off' again.
- 2.) Set the ALARM selector to 'RADIO'. The ALARM indicator will come 'On'.
- 3.) At the selected Wake Up Time the radio will turn 'On' automatically. It will play for 1 hour and 59 minutes then shut off and reset itself for the following day.
 - To stop the radio sooner, press the ALARM SET/RESET button. The radio stops immediately and the alarm resets for the following day.
 - To cancel the alarm completely set the ALARM selector to 'OFF'. The Alarm indicator goes 'Off'. The radio stops and the alarm is canceled. It will not come on again while the ALARM selector is in the 'OFF' position.

Wake To Buzzer

- 1.) Set the ALARM selector to 'BUZZER'. The Alarm indicator will come 'On'.
- 2.) At the selected Wake Up Time the buzzer will sound. It will continue for 1 hour and 59 minutes and then shut off and reset itself for the following day.
 - To stop the buzzer sooner, press the ALARM SET/RESET button. The buzzer stops immediately and the alarm resets for the following day.
 - To cancel the alarm completely set the ALARM selector to 'OFF'. The Alarm indicator goes 'Off'. The buzzer stops and the alarm is canceled. It will not come on again while the ALARM selector is in the 'OFF' position.



Snooze/Repeat Alarm

For a few extra minutes sleep after the alarm turns on in the morning press the SNOOZE bar. The radio or buzzer alarm stops for approximately 9 minutes and then turns on again. Snooze operation may be repeated several times if desired.

Sleep To Music Timer

You can set the sleep timer to operate the radio for up to 1 hour and 59 minutes and then shut off automatically.

- 1.) Press the SLEEP ON button to start the Sleep Timer at 59 minutes. The radio will turn on. Select the station and adjust the volume as desired. After 59 minutes the radio will shut off automatically.
- 2.) To adjust the Sleep Time downward from 59 minutes press and hold the SLEEP ON button and the MINUTE button together. The display will count down from 59 minutes. Release the buttons when the display shows the desired Sleep Time.
- 3.) To add one hour to the sleep time press the SLEEP ON and the HOUR button together.



IMPORTANT: Remember that the station and volume level you select for Sleep Timer operation is the same station and volume level you will hear when you Wake To Radio the following morning.

DISPLAY DIMMER CONTROL

To reduce the brightness of the clock display set the DIMMER switch to the 'LOW' position.





CARE AND MAINTENANCE

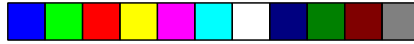
CLEANING THE UNIT

- To prevent fire or shock hazard, disconnect your unit from the AC power source when cleaning.
- If the cabinet becomes dusty wipe it with a soft dry dust cloth. Do not use any wax or polish sprays on the cabinet.
- If the cabinet becomes dirty or smudged with fingerprints it may be cleaned with a soft cloth slightly dampened with a mild soap and water solution. Never use abrasive cloths or polishes as these will mar the finish of your unit.

CAUTION:

Never allow any water or other liquids to get inside the unit while cleaning.

 SERVICE	TO FIND THE LOCATION AND PHONE NUMBER OF YOUR NEAREST SERVICE CENTER PERMITTED TO PERFORM WARRANTY...
CALL TOLL FREE: 1-800-695-0098	
FOR ADDITIONAL SET-UP OR OPERATING ASSISTANCE PLEASE CALL: 1-800-898-9020	
FOR CUSTOMER SERVICE, PLEASE WRITE TO: Emerson Radio Corp. Consumer Affairs Dept. 1901 Diplomat Drive, Farmers Branch, TX 75234	



TROUBLESHOOTING GUIDE

Should this unit exhibit a problem, check the following before seeking service.

Symptom	Possible Cause	Solution
Radio		
Noise or sound distorted on AM or FM broadcasts.	Station not tuned properly for AM or FM.	Retune the AM or FM broadcast station.
	FM: AC cord is not extended.	Extend the AC cord for best reception.
	AM: The bar antenna is not positioned correctly.	Reposition the unit until best reception is obtained.
AM or FM, no sound.	Handset is not placed correctly on the base	Place the handset correctly.
	Volume at minimum.	Increase Volume.
TELEPHONE		
Phone does not ring.	RINGER switch is set to OFF position.	Set RINGER switch to LO or HI position.
Telephone does not work.	Handset is placed incorrectly.	Place the handset correctly.
	Line cord or plug loose.	Check and secure all connections.
Phone number can't be dialed.	TONE/PULSE switch is set incorrectly.	Set the TONE/PULSE switch to correct position.
CLOCK		
Display flashes.	Back up battery weak or loose.	Secure or change new battery. Reset the clock.
Alarm does not sound.	ALARM switch is set to OFF position.	Set ALARM switch to RADIO or BUZZER position.
	Times are not set correctly.	Set correct times and make AM/PM setting.
No clock display.	No AC power.	Check AC cord and AC outlet.



LIMITED WARRANTY

Emerson Radio Corp. warrants manufacturing defects in original material, including original parts and workmanship, under normal use and conditions, for a period of ninety (90) days from the date of original purchase in the U.S. With your dated proof of purchase, we will provide repair service at no charge for labor and parts at an authorized Depot Repair Facility, or replace the product in our discretion. For repair or replacement, pack your unit in a padded box, enclose your check or money order payable to Emerson Radio Corp. in the amount of \$5.00 (not required by California residents) to cover shipping and handling costs, and enclose a copy of your proof of purchase. Send your unit to:

Emerson Radio Corp.
1901 Diplomat Drive.
Farmers Branch, TX 75234.

This warranty does not cover damage from negligence, misuse, abuse, accident, failure to follow operating instructions, commercial use, rental, repairs by an unauthorized facility, or products purchased, used, serviced or damaged outside of the United States.

THIS WARRANTY GIVES YOU SPECIFIC LEGAL RIGHTS, AND YOU MAY ALSO HAVE OTHER RIGHTS WHICH VARY FROM STATE TO STATE.

AU898H



girlPOWER™

BY



EMERSON
Part No. : 21-2033
207-01

Printed in China