

CAUTION : TO PREVENT ELECTRIC SHOCK, MATCH WIDE BLADE OF PLUG TO WIDE SLOT, FULLY INSERT.

WARNING : TO REDUCE THE RISK OF FIRE OR ELECTRIC SHOCK, DO NOT EXPOSE THE APPLIANCE TO RAIN OR MOISTURE.

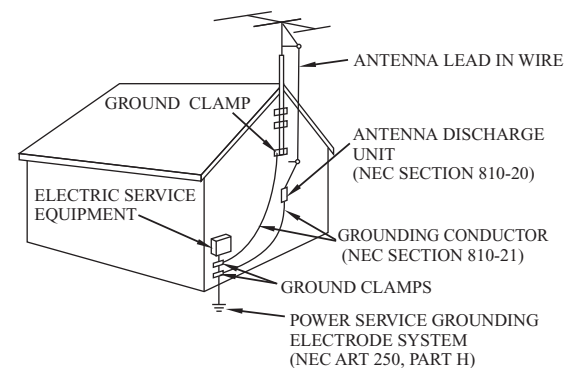
SAFETY INSTRUCTIONS

THESE IMPORTANT SAFETY INSTRUCTIONS ARE INCLUDED, AS APPLICABLE TO THE APPLIANCE, CONVEYING TO THE USER THE INFORMATION ITEMIZED BELOW

- Read instructions** - All the safety and operating instructions should be read before the appliance is operated.
- Retain instructions** - The safety and operating instructions should be retained for future reference.
- Head Warnings** - All warnings and cautions on the appliance and in the operating instructions should be adhered to.
- Follow instructions** - All operating and use instructions should be followed.
- Water and Moisture** - The appliance should not be used near water, e.g. near a bathtub, washbowl, kitchen sink, laundry tub, in a wet basement, or near a swimming pool or the like.
- Wall or Ceiling Mounting** - The appliance should not be mounted to a wall or ceiling.
- Ventilation** - The appliance should be situated so that its location or position does not interfere with its proper ventilation. For example, the appliance should not be situated on a bed, sofa, rug or similar surface that may block the ventilation openings, or placed in a built-in installation, such as a bookcase or cabinet, that may impede the flow of air through the ventilation openings.
- Heat** - The appliance should be situated away from heat sources such as radiators, heat registers, stoves, or other appliances (including amplifiers) that produce heat.
- Power Sources** - The product should be operated only with the type of power supply indicated on the marking label. If you are not sure of the type of power supply to your home, consult your product dealer or local power company. For products intended to operate from battery power, or other sources, refer to the operation instructions.
- Grounding Polarization** - This product may be equipped with a polarized alternating current line plug (a plug having one blade wider than the other). This plug will fit into the power outlet only one way this is a safety feature. If you are unable to insert the plug fully into the outlet, try reversing the plug. If the plug should still fail to fit, contact your electrician to replace your obsolete outlet. Do not defeat the safety purpose of the polarized plug.

- Power-Cord Protection** - Power supply cords should be routed so that they are not likely to be walked on or pinched by items placed upon or against them, paying particular attention to cords at plugs, convenience receptacles, and the point where they exit from the appliance.
- Cleaning** - Unplug this product from the wall outlet before cleaning. Do not use liquid cleaners or aerosol cleaners. Use a damp cloth for cleaning.
- Nonuse periods** - The power cord of the appliance should be unplugged from the outlet when left unused for a long period of time.
- Object and Liquid Entry** - Care should be taken so that objects do not fall and liquids are not spilled into the product case through product openings.
- Damage Requiring Service** - Unplug this product from the wall outlet and take it to qualified service personnel under the following conditions.
 - When the power-supply cord or plug is damaged.
 - If liquid has been spilled into, or objects have fallen into the product.
 - If the product has been exposed to rain or water.
 - If the product does not operate when used according to the operating instructions.
Adjust only those controls that are covered by the operating instructions as an improper adjustment of other controls may interfere with the product's normal operation.
 - If the product has been dropped or damaged in any way.
 - When the product exhibits a distinct change in performance- this indicates a need for service.
- Servicing** - The user should not attempt to service the product beyond that described in the operating instruction. All servicing should be referred to qualified service personnel.
- Power Lines** - An outside antenna system should not be located in the vicinity of overhead power lines, or other electric light or power circuits, or where it can fall into such power lines or circuits. When installing an outside antenna system, extreme care should be taken to keep from touching power lines or circuits as contact with them might be fatal.
- Outdoor Antenna Grounding** - If an outside antenna is connected to the receiver, be sure the antenna system is grounded so as to provide some protection against voltage surges and built up static. Section 810 of the National Electrical Code ANSI/NEFA 70 provides information with respect to proper grounding of the mast and supporting structure, grounding conductress, location of antenna-discharge unit, size of grounding electrodes, and requirements for the grounding electrode (see figure).
- Cleaning** - Unplug this product from the wall outlet before cleaning. Do not use liquid cleaners or aerosol cleaners. Use a damp cloth for cleaning.
- Lightning** - For added protection for this product during a lightning storm, or when it is left unattended and unused for long periods of time, unplug it from the wall outlet and disconnect the antenna or cable system. This will prevent damage to the product due to lightning and power-line surges.
- Safety Check** - Upon completion of any service or repairs to this product, ask the service technician to perform safety checks to determine that the product is in proper operation condition.
- Overloading** - Do not overload wall outlets, extension cords, or integral convenience receptacles as this can result in a risk of fire or electric shock.

EXAMPLE OF ANTENNA GROUNDING AS PER NATIONAL ELECTRICAL CODE



NEC NATIONAL ELECTRICAL CODE

Do not apply oil or petroleum products to this product.

CAUTION

Invisible laser radiation will be emitted when the product is open and interlocks are defeated. Do not defeat the safety interlocks.

GRAPHIC SYMBOLS WITH SUPPLEMENTARY MARKINGS ARE LOCATED ON THE BOTTOM OF THE UNIT.

USE OF CONTROLS, ADJUSTMENTS, OR PERFORMANCE PROCEDURE HEREIN MAY RESULT IN HAZARDOUS RADIATION EXPOSURE.

PROJECTION AM/FM CLOCK RADIO

MODEL CR1320

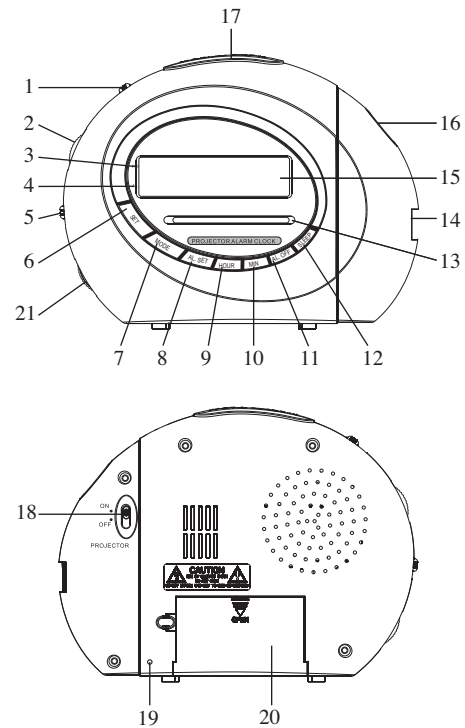


Operating Instructions



BEFORE OPERATING THIS PRODUCT, READ, UNDERSTAND, AND FOLLOW THESE INSTRUCTIONS.
Be sure to save this booklet for future reference.

LOCATIONS OF CONTROLS:



1. ON / OFF/ AUTO FUNCTION SWITCH
2. VOLUME CONTROL WITH ON / OFF SWITCH
3. ALARM INDICATOR
4. PM INDICATOR
5. BAND SELECTOR SWITCH
6. PROJECTION SET BUTTON
7. PROJECTION MODE BUTTON
8. ALARM SET BUTTON
9. HOUR SET BUTTON
10. MINUTE SET BUTTON
11. ALARM OFF BUTTON
12. SLEEP BUTTON
13. DIAL SCALE
14. PROJECTION FOCUS ADJUSTMENT
15. LED DISPLAY
16. PROJECTION
17. SNOOZE / LIGHT BUTTON
18. PROJECTION ON/OFF SWITCH
19. FM ANTENNA
20. BATTERY COMPARTMENT
21. TUNING KNOB

POWER SUPPLY

This unit is designed to operate from AC 120V-60Hz household mains supply. The 9V type battery is used for LED clock back-up only. (not for time projection)

RADIO OPERATION

1. To turn on, slide the Function Switch to the "ON" position.
2. Slide the Band selector Switch to the FM or AM position.
3. Adjust the Volume Control to the desired volume level.
4. Turn the Tuning Control to the frequency of the desired station.
5. To turn the radio off, slide the Function Switch to the "OFF" position.

CLOCK SETTING

1. To set the hours, press the Hour set button until the desired hour is displayed.
2. To set the minutes, press the Minutes set button until the correct time appears on the display.

WAKE TO RADIO OR BUZZER

1. Select the desired radio station and volume level.
2. Press and hold the Alarm set button, then press the Hour set button to set the desired alarm hour. Hold the Alarm set button and press the Minute set button to your desired alarm minute setting.
3. Slide the Function switch to the "AUTO" position. The radio will turn on to wake you up at the preset time.
4. To wake to buzzer instead of radio, make sure to turn the Volume control off.
5. To turn the radio or buzzer off, slide the Function switch to the "OFF" position.

SNOOZE REPLAY ALARM

1. When the alarm is activated (either the buzzer sounds or the radio turns on), pressing the Snooze button will turn off the buzzer or radio temporarily. About 9 minutes later, the buzzer or radio will turn on again.
The snooze function can be repeated up to 5 times within an hour then the wake-up function will automatically be released.
2. To cancel the snooze operation, slide the Function switch to the "OFF" position or press the Alarm off button.

SLEEP TO RADIO

1. Select the desired radio station.
2. Slide the Function switch to the "AUTO" or "OFF" position.
3. Press the Sleep button and the clock display will show 0:59 as the default sleep period. The sleep period can be reduced as desired by pressing the minute set button while holding the Sleep button down.
4. The sleep period can also be set up to 1 hour 59 minutes by pressing the Hour set button once while holding the sleep button down.
5. The radio will play for the desired period and then turn itself off automatically.
6. To turn the radio off prior to the end of the preset period, simply press the Snooze button once.

ANTENNA

This radio has built-in ferrite antenna for AM radio band and its reception is directional. Therefore, changing the orientation of the unit may improve the reception.. The FM radio also has a flexible wire antenna on the back of the unit, and it should be extended to its full length for best reception.

HOW TO USE TIME PROJECTION FUNCTION

- Step 1 : Slide the PROJECTION ON/OFF switch to "ON" position.
Step 2 : Rotate the projection part to proper angle position and adjust the focus knob to make sure that the time image is so clear.

(You can project the time image onto the screen such as white wall or other surfaces to obtain the best effect)

- Step 3 : Use MODE and SET button to set the correct time and date.

- To display Month and Date, press "MODE", 1 time.
- To display the Second, press "MODE" 2 times. Press "MODE" again to return to normal time display.
- To set Month, Press "SET" 2 times, then push the "MODE" to sequence numbers.
- To set Date, Press "SET" 3 times, push the "MODE" to sequence numbers.
- To set Hour, Press "SET" 4 times, push the "MODE" to sequence numbers.
- To set Minutes, Press "SET" 5 times, push the "MODE" to sequence numbers.
- Note : To select the hour/minute or Month/day by pressing the SET button. Then press the Mode button to adjust the current value of the time or date.

PROJECTION LIGHT FUNCTION

Press SNOOZE/LIGHT button to turn on the projection light, the projection light will last for 5 seconds and turn off automatically.

BATTERY BACK-UP FOR LED CLOCK

Your clock has a battery back up feature in case of power failure. A 9 Volt battery (not included) is required. You must put in a battery to ensure the battery back up feature is ready in case of power failure. If power fails, the back up battery will automatically continue operation of the clock and maintain actual time. However, the display will not be lighted. When electrical power is restored, the display will light up again. The battery will maintain time keeping for approximately 8 hours during power failure or interruption.

Note: Remove the battery of the clock is to be unplugged for a long time to avoid unnecessary battery drain.

SPECIFICATIONS

Frequency range	: AM: 530 – 1700 KHz
	: FM: 88 – 108 MHz
Speaker impedance	: 8 ohm
Battery backup (for clock memory)	: 9V Battery(not included)
Power source	: 120V - 60Hz