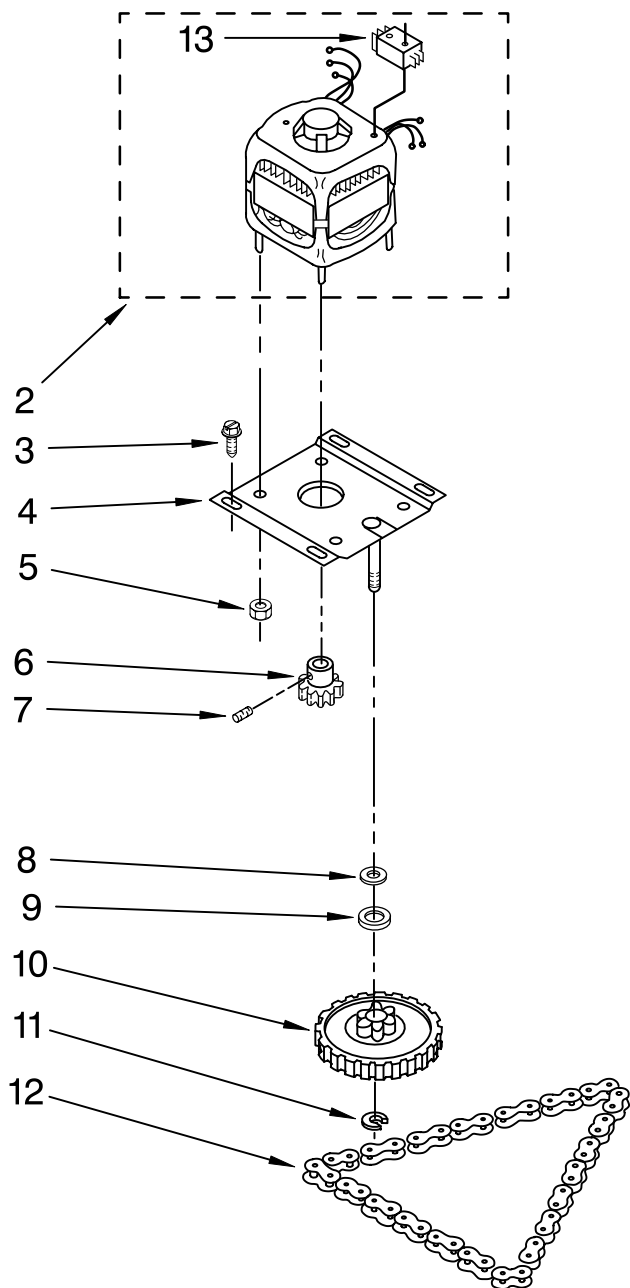
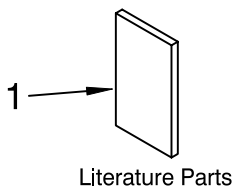


MOTOR AND DRIVE PARTS

For Models: KUCS03FSSS0
(Stainless)

TRASH COMPACTOR

KitchenAid®



Illus. No.	Part No.	DESCRIPTION
1	9871923	Literature Parts Tech Sheet
	9872215	Guide, Use & Care
2	9870343	Motor, Drive (Includes No. 13)
3	9871067	Screw, 1/4-20 x 3/4 (4)
4	776327	Plate, Drive Mount
5	776338	Locknut, 10-32 (4)
6	4149667	Gear, Drive
7	454512	Pin, Slotted Spring
8	776035	Washer, Wave
9	297462	Washer, Thrust
10	777124	Gear, Driven
11	776036	Clip, Ring
12	780477	Chain, Drive
13	777971	Switch, Motor

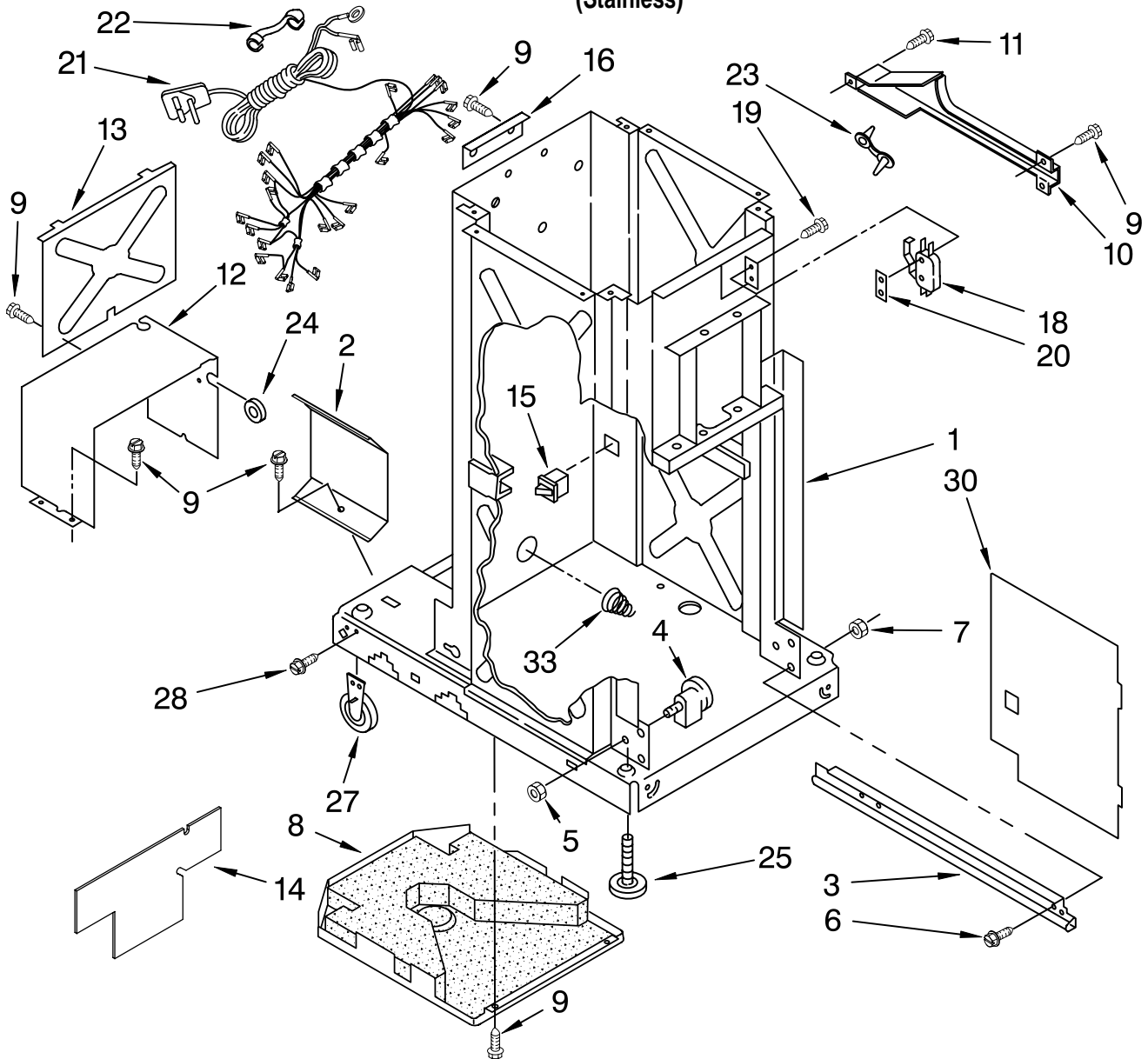
Parts Not Illustrated and
Optional Parts (Not Included)

9870118 Undercounter
Conversion Kit

FOR ORDERING INFORMATION REFER TO PARTS PRICE LIST

FRAME PARTS

For Models: KUCS03FSSS0
(Stainless)



Illus. No.	Part No.	DESCRIPTION
1		Frame (Not A Serviceable Part)
2	9870867	Shield, Slide Track (2)
3	9870976	Frame, Slide (R.H.)
	9870975	Frame, Slide (L.H.)
4	4153788	Bearing, Roller (2)
5	776356	Locknut, 3/8-24 (2)
6	777458	Screw, 6-32 x 3/8 (4)
7	3400938	Nut
8	9870167	Pan, Bottom
9	489478	Screw, 8 x 1/2
10	4149659	Shield, Harness

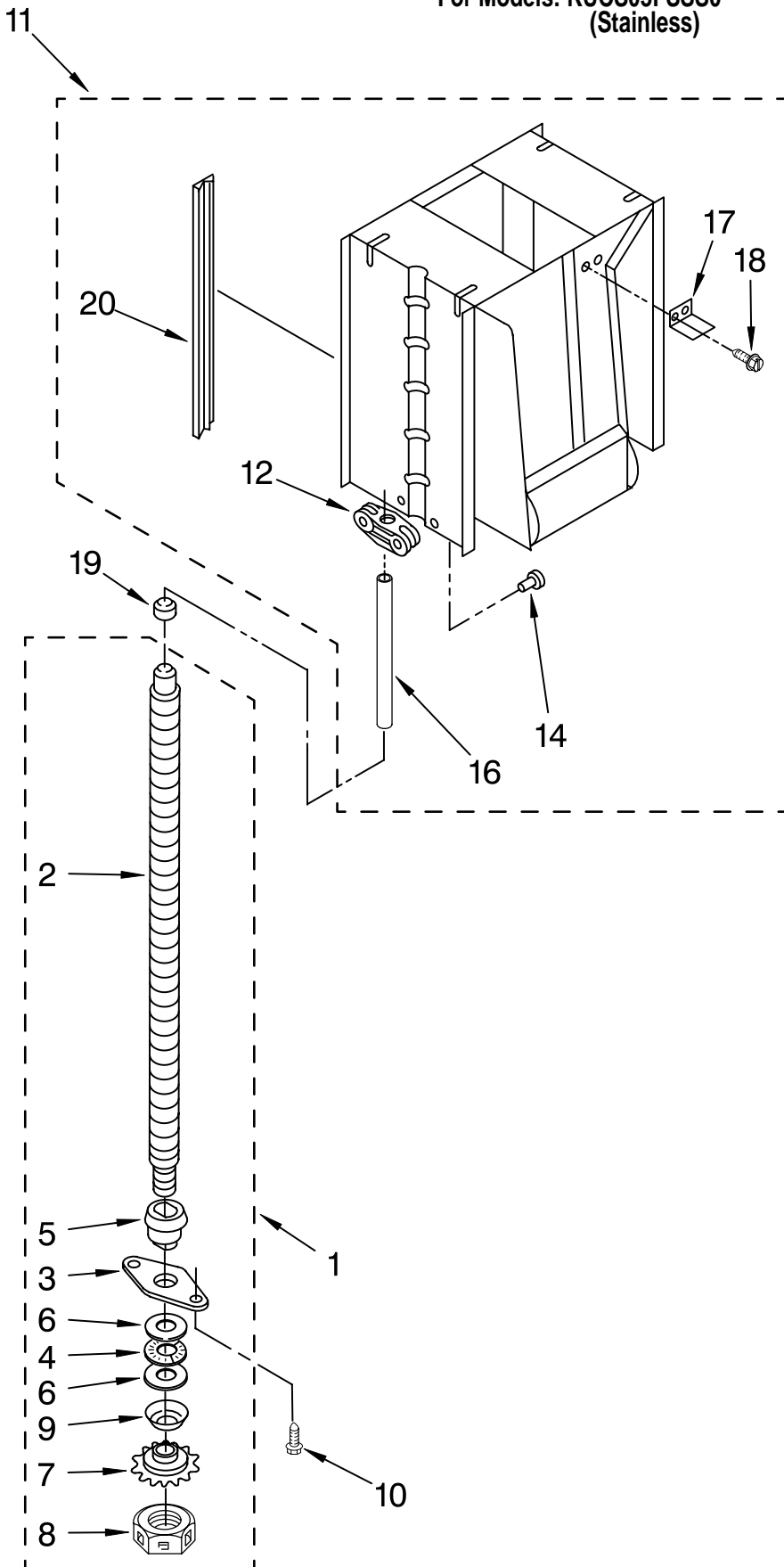
Illus. No.	Part No.	DESCRIPTION
11	777070	Screw, 8-32 x 5/16
12	780434	Cover, Motor
13	608009	Plate, Motor Cover
14	9872154	Insulation
15	4149377	Switch, Drawer Safety
16	775668	Anble, Top Support
18	777811	Switch, Top Limit & Directional
19	777849	Screw, 6-20 x 1" (2)
20	777850	Plate, Nut

Illus. No.	Part No.	DESCRIPTION
21	9872118	Wiring Harness & Power Cord
22	776119	Bushing, Cord
23	777035	Clamp, Wire
24	776118	Grommet, Motor Cover
25	775526	Leveler, Front (2)
27	9870585	Wheel, Leveler (2)
28	780034	Screw, 10-24 x 3/8 (2)
30	9870444	Panel, Inner
33	777180	Spring, Container

FOR ORDERING INFORMATION REFER TO PARTS PRICE LIST

POWERSCREW AND RAM PARTS

For Models: KUCS03FSSS0
(Stainless)

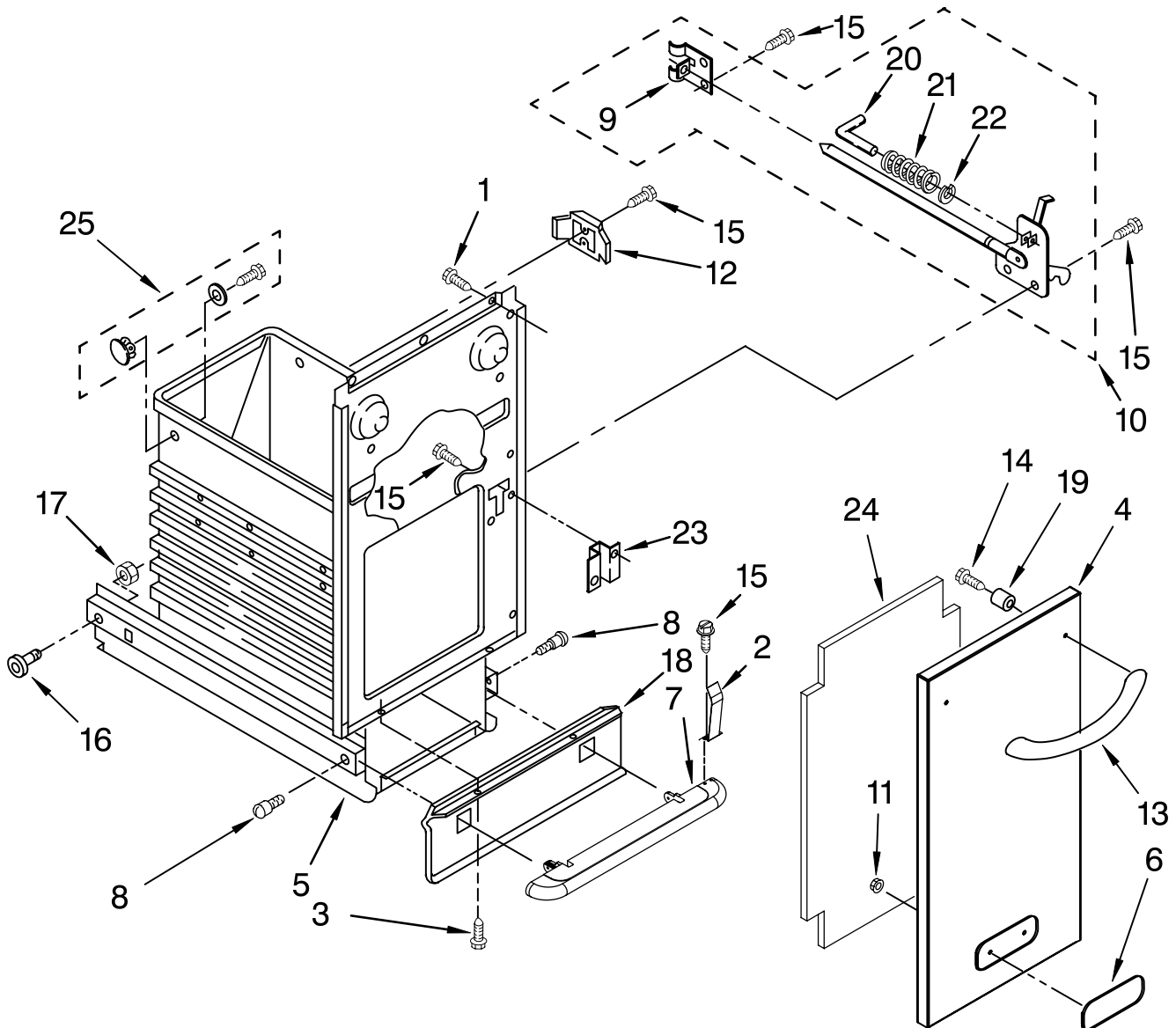


Illus. No.	Part No.	DESCRIPTION
1	9870500	Screw, Power Complete Assembly (2)
2		Screw, Power (Available Only As Complete Assembly)
3	779121	Plate, Bearing (2)
4	775482	Bearing, Needle (2)
5	776941	Hub, Power Screw (2)
6	775481	Race, Thrust (2)
7	777385	Sprocket, Washer (2)
8	4154842	Nut, Power Screw (2)
9	777332	Washer, Cone (2)
10	9871067	Screw, 10-24 x 3/4 (4)
11	9871251	Ram Assembly
12	9870163	Nut, Power (2)
14	9870187	Stud (2)
16	9870037	Stop, Ram (2)
17	9870498	Bracket, Top Limit Switch
18	489399	Screw, (2)
19	9870775	Cap, Stop (2)
20	9870169	Slide, Ram (4)

FOR ORDERING INFORMATION REFER TO PARTS PRICE LIST

CONTAINER PARTS

For Models: KUCS03FSSS0
(Stainless)



Illus. No.	Part No.	DESCRIPTION
1	4152204	Screw (2)
2	9871976	Actuator Switch
3	489290	Screw
4	9872232S	Panel, Container Front
5	9870996	Container Assembly
6	W10021850	Nameplate
7	9871989B	Pedal, Foot Black
8	780263	Screw, Shoulder #8-32 x 3/8 (2)

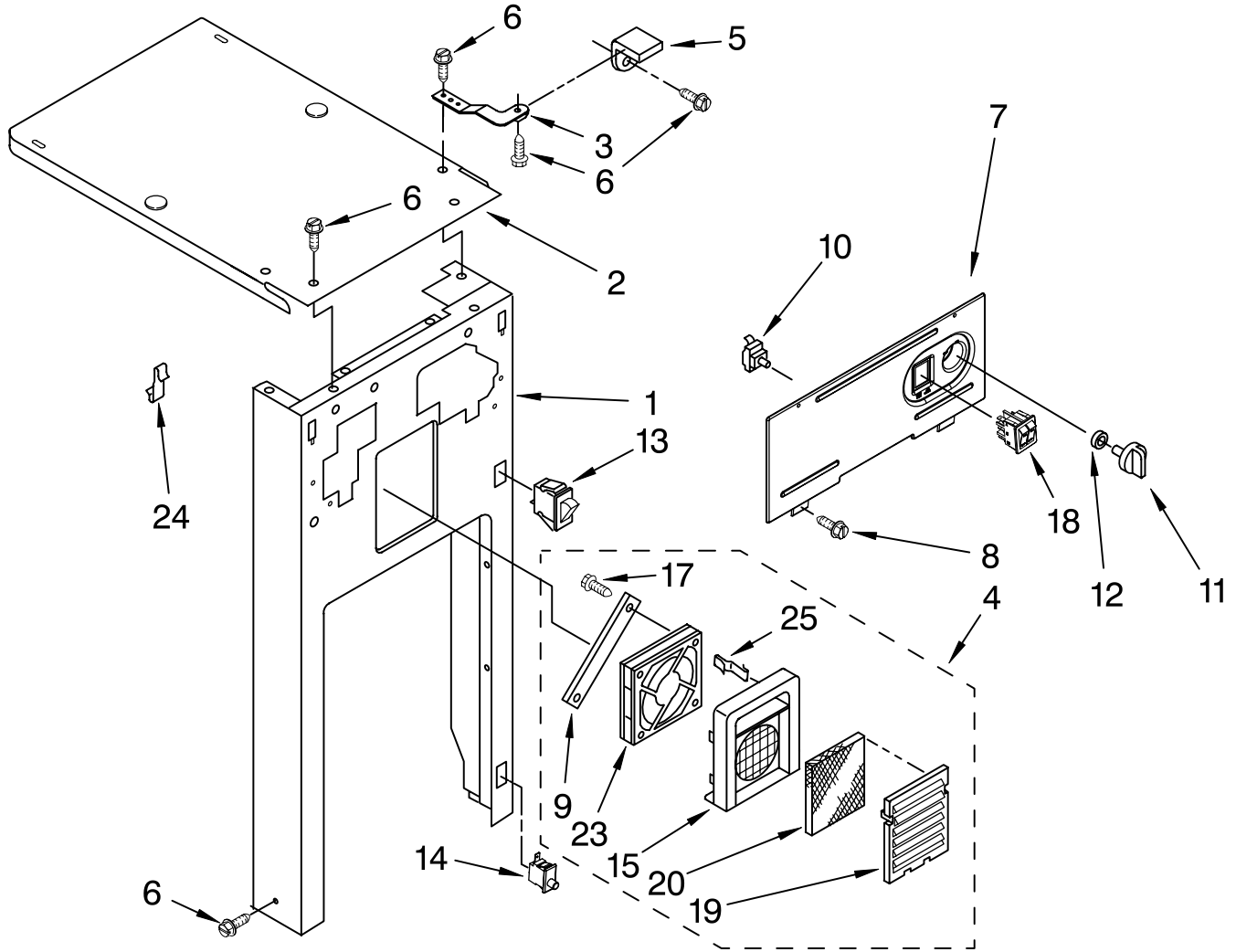
Illus. No.	Part No.	DESCRIPTION
9	776395	Guide, Rear Latch
10	9870066	Latch Assembly
11	2004333	Nut
12	9871125	Spring, Safety Switch
13	9872206S	Handle
14	3196175	Screw
15	246131	Screw
16	9871602	Container, Bearing Roller

Illus. No.	Part No.	DESCRIPTION
17	776356	Locknut, 3/8-24 (2)
18	776654	Plate, Toe Guard
19	777328	Black Spacer, Handle
20	9871563	776654 Pin
21	775736	Spring, Latch
22	775735	Ring, "E"
23	775665	Plate, Latch
24	9872153	Insulation
25	4147703	Retainer, Bag (Contains 4 Each)

FOR ORDERING INFORMATION REFER TO PARTS PRICE LIST

PANEL AND CONTROL PARTS

For Models: KUCS03FSSS0
(Stainless)

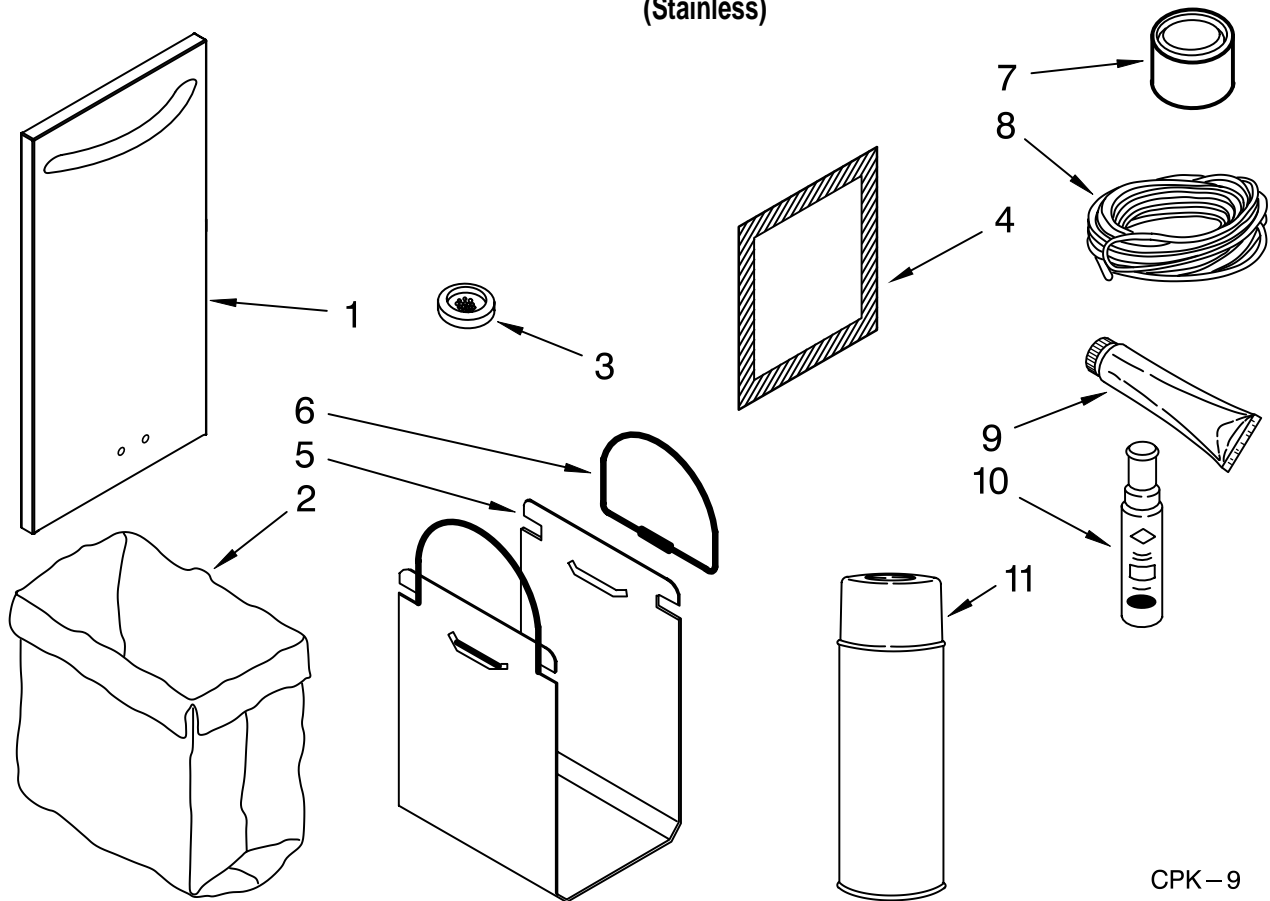


Illus. No.	Part No.	DESCRIPTION	Illus. No.	Part No.	DESCRIPTION	Illus. No.	Part No.	DESCRIPTION
1		Panel, Front Frame	8	246131	Screw, 6-20 x 3/8 (2)	17	780034	Screw, 10-24 x 3/8
	9871977	Black	9	4152703	Strap, Fan	18		Switch Assembly
2	608572	Cover, Top	10	9871971	Switch, Rotary Start-Run	19	9871973	Black Cover, Air Freshener
3	9871993	Bracket, Retainer	11	9871920	Knob, Rotary Switch		9871099	Black
4	9871893	Fan Mount Assembly	12	777383	Nut, Rotary Switch	20	4151750	Filter, Charcoal
5	780239	Bracket, Retainer (Alternate) (2)	13	9871829	Switch, Drawer	23	9871051	Fan, Filter
6	489478	Screw, 8 x 1/2AB (6)	14	9871984	Switch, Pushbutton	24	4151897	Clip, Wire
7		Escutcheon, Control	15	4151442	Compartment, Air Freshener	25	4151897	S-Clip
	9871906B	Black						

FOR ORDERING INFORMATION REFER TO PARTS PRICE LIST

ACCESSORY PARTS

For Models: KUCS03FSSS0
(Stainless)



CPK-9

Illus. No.	Part No.	DESCRIPTION
The Accessory Parts Listed Below May or May Not Be Included With Your Compactor.		
1		Panel, Container Front/Handle
	4396297	White/White
	4396296	Black/Black
	4396298	Biscuit/Biscuit
	4396299	Cobalt Blue/SSt.
	4396300	Empire Red/SSt.
	9871805	Majestic Yellow w/SSt. Handle
2		Bag, Trash (15" Plastic)
	4318921	15 Pack
	4318922	60 Pack
	94318921	12 Boxes of 15 Pack (15" Paper)
	675186	12 Pack
	882652	48 Pack
3	777635	Deodorizer, Solid Stick-Ups (2-Pack)

Illus. No.	Part No.	DESCRIPTION
4		Deodorizer Block
	9872166LG	Lemongrove
	9872166GA	Green Apple
	9872166L	Lavender
5	13030	Carrier, Bag (Includes No. 6)
6	777108	Handle, Bag Carrier
7	675351	Grease, 4 Oz. (Use on Power Screw & Ram Pressure Pads)
8		Wire, 25' Roll
	10875	Blue 16 Ga.
	242820	Black 14 Ga.
	242825	Red 14 Ga.
	242826	White 14 Ga.
	47261	Black 12 Ga.
	299885	Red 12 Ga.
	47263	White 12 Ga.
9	279368	Adhesive, Insulation (2oz Tube)

Illus. No.	Part No.	DESCRIPTION
10		Paint, Touch-Up 1/2 Oz.
	72107	Almond
	72017	White
	72032	Black
	4892899	Biscuit
	8171571	Cobalt Blue
	8171651	Hunter Green
	8171652	Empire Red
	8171653	Majestic Yellow
11		Paint, Spray 13 Oz.
	350956	Almond
	285006	Black
	4392901	Biscuit
	350930	White

OPTIONAL PARTS NOT ILLUSTRATED

		Framed Trim Kits
	9871382	White
	9871383	Black
	9871600	Biscuit

FOR ORDERING INFORMATION REFER TO PARTS PRICE LIST