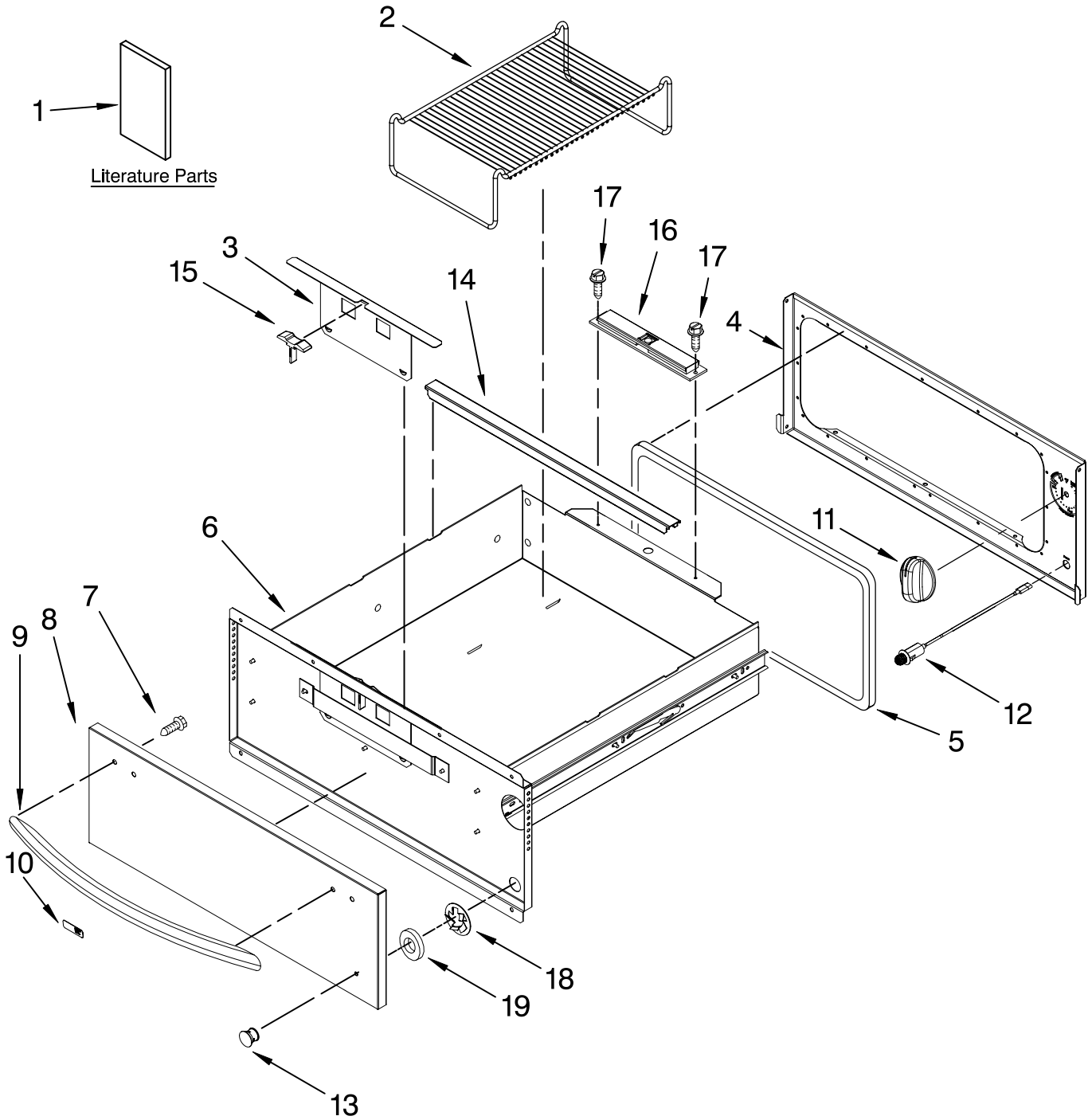


CONTROL, DOOR AND DRAWER PARTS

For Models: KEWS105SSS00, KEWS105SPA00
(Stainless) (Panel Ready)

30" ELECTRIC
BUILT-IN
WARMING DRAWER

KitchenAid®



FOR ORDERING INFORMATION REFER TO PARTS PRICE LIST

CONTROL, DOOR AND DRAWER PARTS

For Models: KEWS105SSS00, KEWS105SPA00

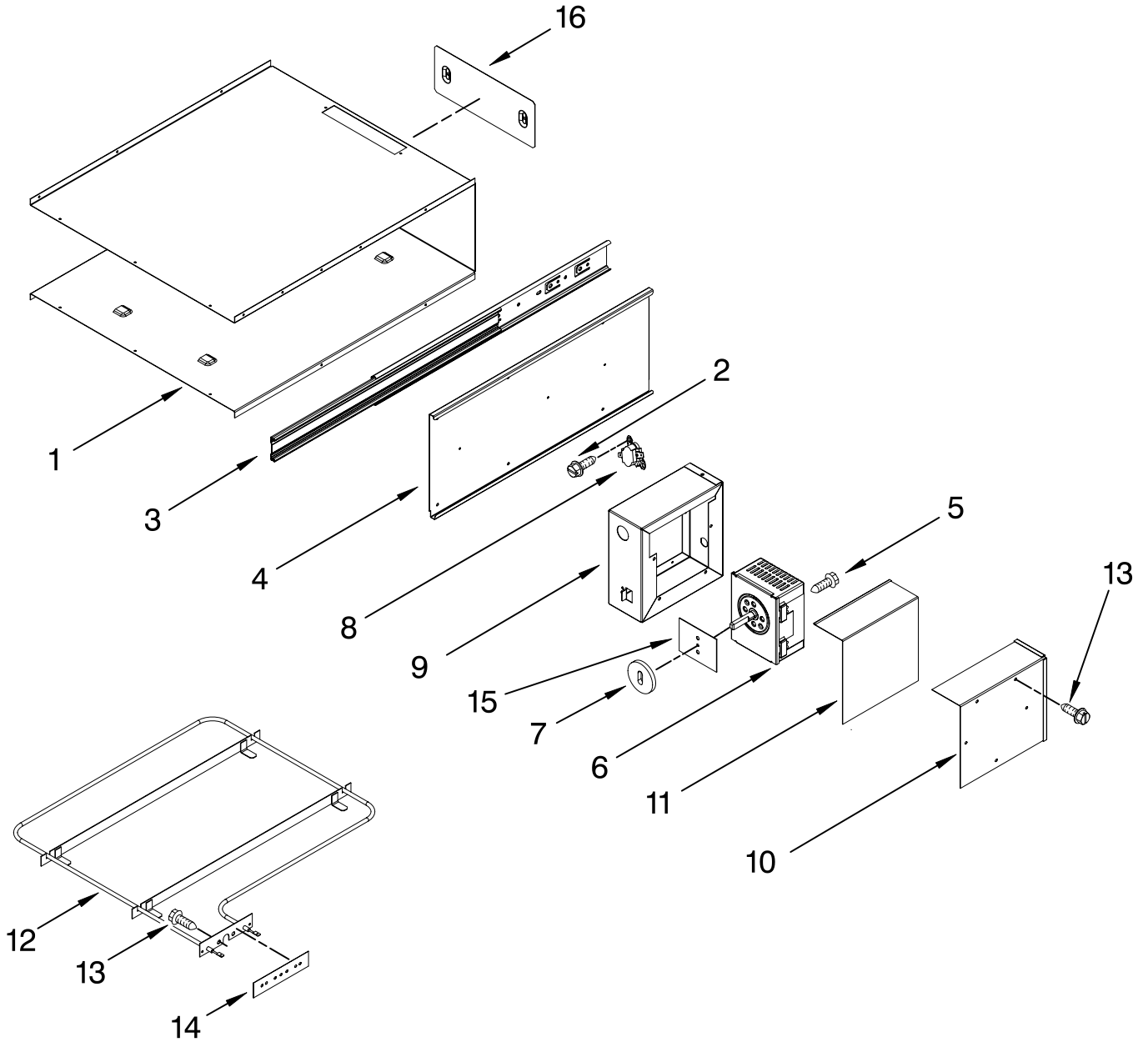
(Stainless) (Panel Ready)

| Illus. | Part | |
|---------------|-------------|----------------------------------|
| No. | No. | DESCRIPTION |
| 1 | | Literature Parts |
| | W10064720 | Tech Sheet |
| | 9763141 | Use & Care Guide |
| | 9763140 | Installation Instructions |
| 2 | 8273277 | Rack, Warming |
| 3 | W10111385 | Slide, Vent |
| 4 | W10111383 | Panel, Front |
| 5 | 9762315 | Gasket, Drawer |
| 6 | 9763646 | Drawer Assembly |
| 7 | 4449743 | Screw |
| 8 | 9762327 | Door, Panel Stainless Only |
| 9 | 8303774SS | Handle, Drawer Stainless Only |
| 10 | 9763444SS | Badge Stainless Only |
| 11 | 4455984 | Knob, Thermostat |
| 12 | W10080130 | Light, Indicator |
| 13 | | Lens, Light |
| | 4456314 | Stainless |
| | 9763644 | Custom Wood, Panel Only |
| 14 | 9762339 | Rail, Pan (2) |
| 15 | 9763125 | Grip, Vent |
| 16 | W10035910 | Magnet |
| 17 | 3196537 | Screw (2) |
| 18 | 4456862 | Clip, Lens Retainer |
| 19 | 4456861 | Spacer, Lens |

FOR ORDERING INFORMATION REFER TO PARTS PRICE LIST

INTERNAL WARMING DRAWER PARTS

For Models: KEWS105SSS00, KEWS105SPA00
(Stainless) (Panel Ready)



FOR ORDERING INFORMATION REFER TO PARTS PRICE LIST

INTERNAL WARMING DRAWER PARTS

For Models: KEWS105SSS00, KEWS105SPA00
(Stainless) (Panel Ready)

| Illus. No. | Part No. | DESCRIPTION |
|-------------------|-----------------|--------------------------|
| 1 | 9762305 | Wrapper |
| 2 | 313806 | Screw (1) |
| 3 | 9762346 | Slide Assembly |
| 4 | | Wall |
| | 9762307 | Right |
| | 9762308 | Left |
| 5 | 311865 | Screw |
| 6 | W10121337 | Control |
| 7 | W10117362 | Gasket, Control |
| 8 | 9763126 | Thermal Fuse |
| 9 | 9763122 | Enclosure, Electric |
| 10 | 9763121 | Cover, Enclosure |
| 11 | W10117363 | Gasket, Enclosure |
| 12 | 9762329 | Element, Heating |
| 13 | 3196537 | Screw |
| 14 | W10118049 | Seal, Heating Element |
| 15 | W10118113 | Seal, Switch |
| 16 | W10118073 | Heat Shield |

FOLLOWING PARTS NOT ILLUSTRATED

WIRING HARNESS PARTS

| | |
|-----------|-------------------------------|
| W10080110 | Harness, Wire (Main) |
| W10080120 | Power Cord |
| 9762347 | Sensor, Sealed |
| 4452601 | Strain Relief |
| 4450800 | Screw, Ground (Power Cord) |
| 8537055 | Stainless Cleaner |

ACCESSORY PARTS

| | |
|---------|---|
| | Front Panel Assembly, Includes Handle & Badge |
| 8212671 | Black |
| 8212672 | White |